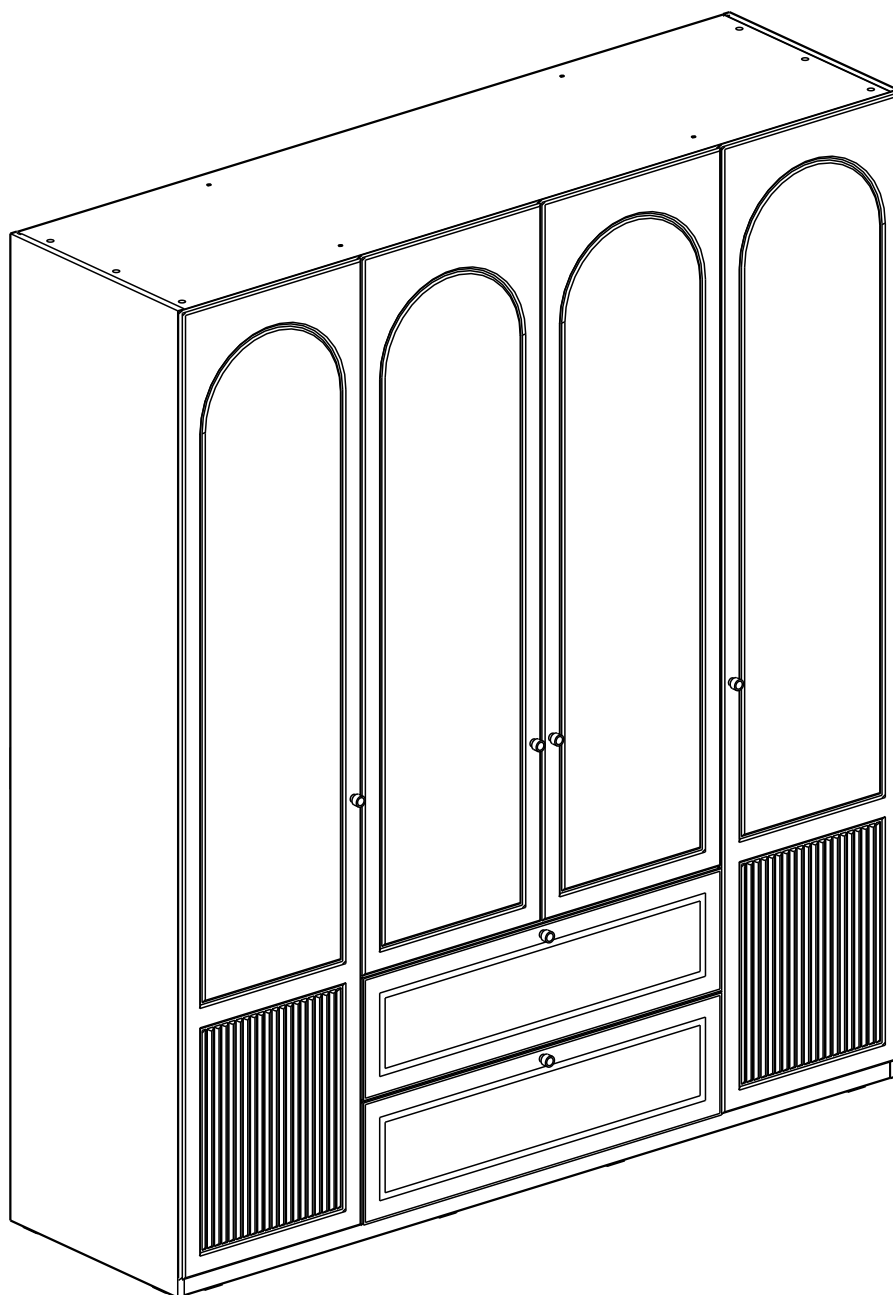


# SERENE

Wardrobe 4 doors



# CONNECT SYSTEM

**1**

**3**

**2**

(Connecting bolts)

**WHEN FITTING CAMS**  
 ENSURE STARTING POSITION IS CORRECT  
 BEFORE YOU INSERT CONNECTING BOLT  
 TURN CLOCKWISE UNTIL SECURE

✓				<b>✗</b>
↑				
<b>CORRECT</b>		<b>WRONG</b>		

M4x16mm.

**i**

40mm.

☹️

☒

EQ

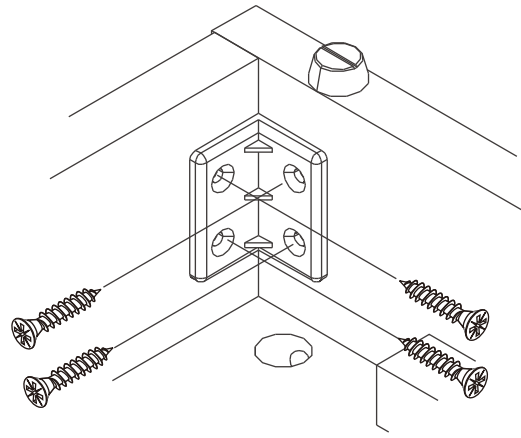
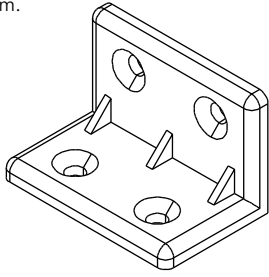
😊

☑️

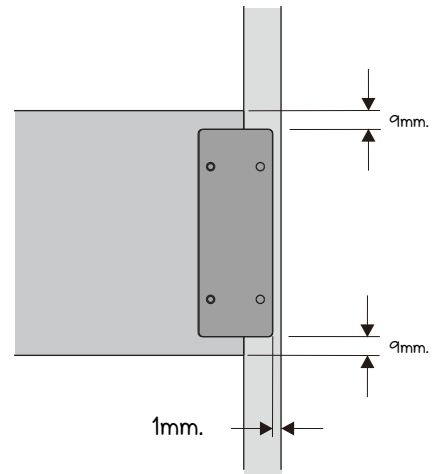
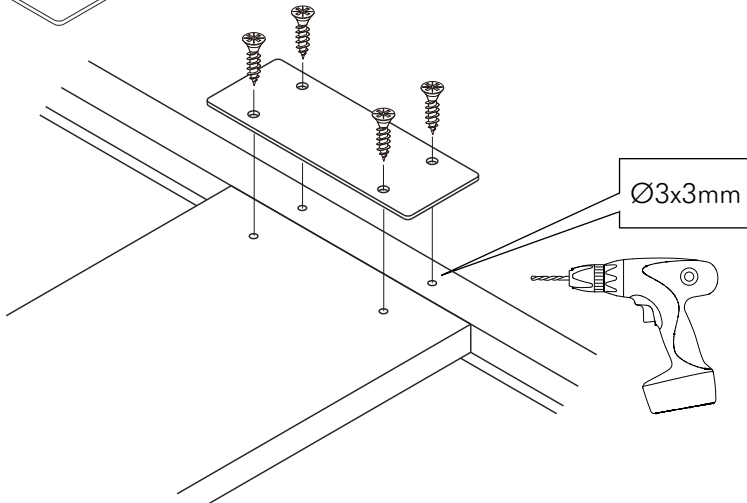
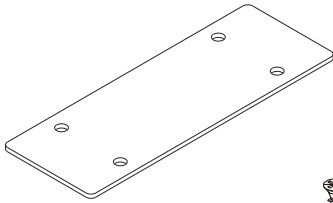
M4x16mm.

**DOOR PANEL**

M4x16mm.



M4x13mm.

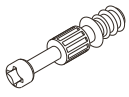




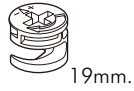


# HARDWARE

## -BODY SET



**x 39**



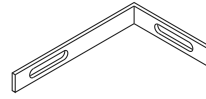
**x 39**

19mm.

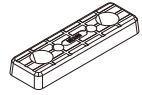


**x 51**

#8x35



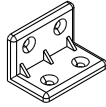
**x 2**



**x 18**



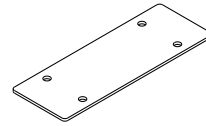
**x 24**



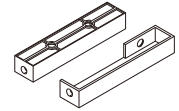
**x 27**



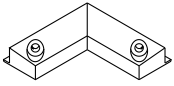
**x 8**



**x 6**



**x 4/4**

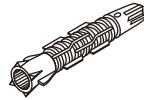


**x 8**



**x 8**

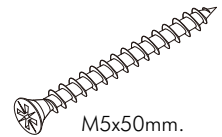
5x18 mm.



**x 2**



**x 8**



M5x50mm.

**x 2**



M4x30mm.

**x 4**



M4x25mm.

**x 24**



M3.5x20mm.

**x 40**



M4x16mm.

**x 150**



M4x13mm.

**x 24**



M3.5x13mm.

**x 36**



M4x16mm.

**x 32**



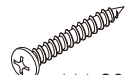
M4x13mm.

**x 4**



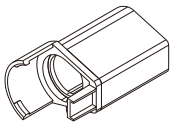
#6x1/2"

**x 8**

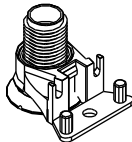


M4x30mm.

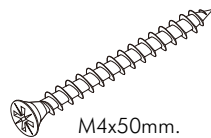
**x 6**



**x 6**

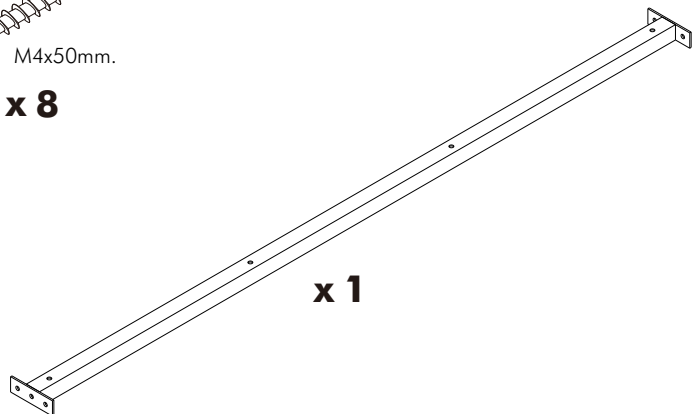


**x 6**



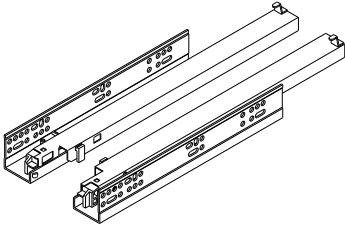
M4x50mm.

**x 8**



**x 1**

-DRAWER SET

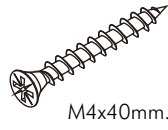


**x 2/2**



M3.5x13mm.

**x 12**



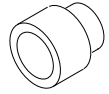
M4x40mm.

**x 24**



M6x30mm.

**x 6**



**x 2**



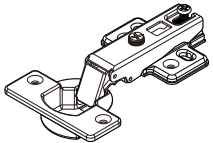
M4x25mm.

**x 2**



**x 4**

-DOOR SET



**x 16**

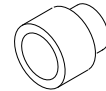


M4x16mm.

**x 96**



**x 8**



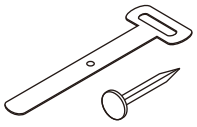
**x 4**



M4x25mm.

**x 4**

-LAMP SET

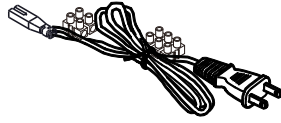


**x 20/20**



5x3/4" mm.

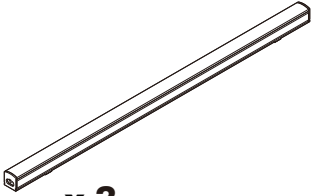
**x 4**



**x 1**



**x 3**

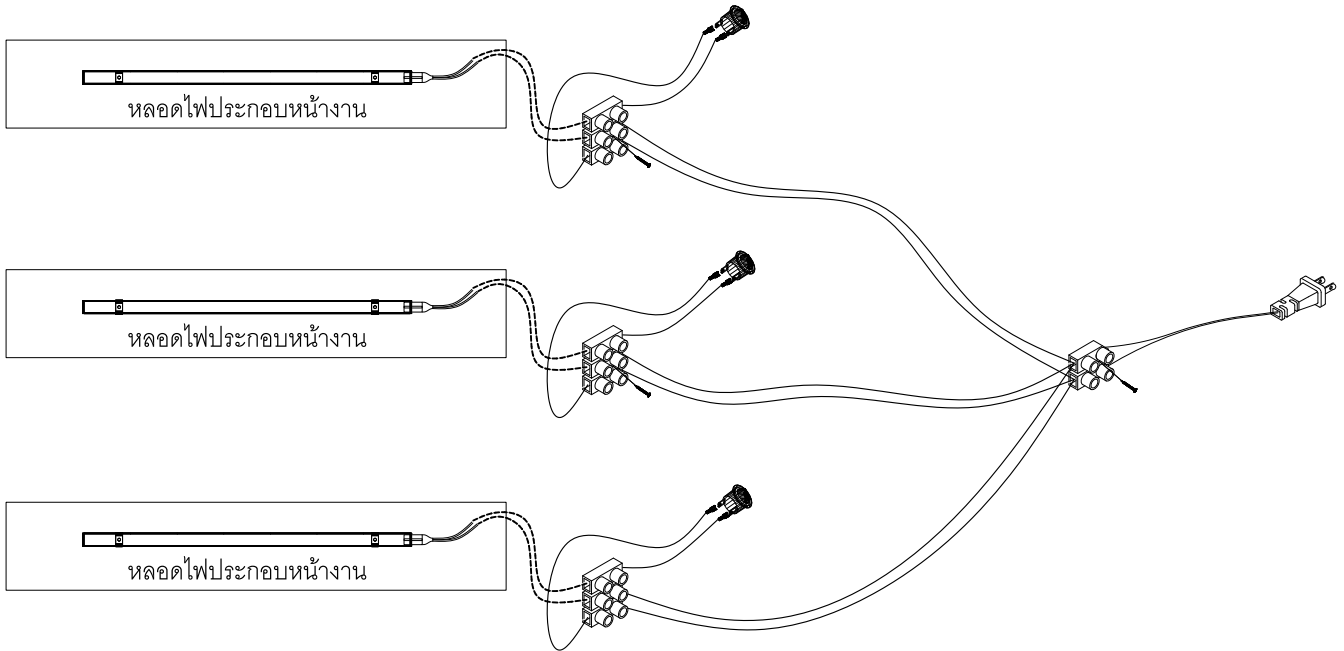


**x 3**



#5x1/2"

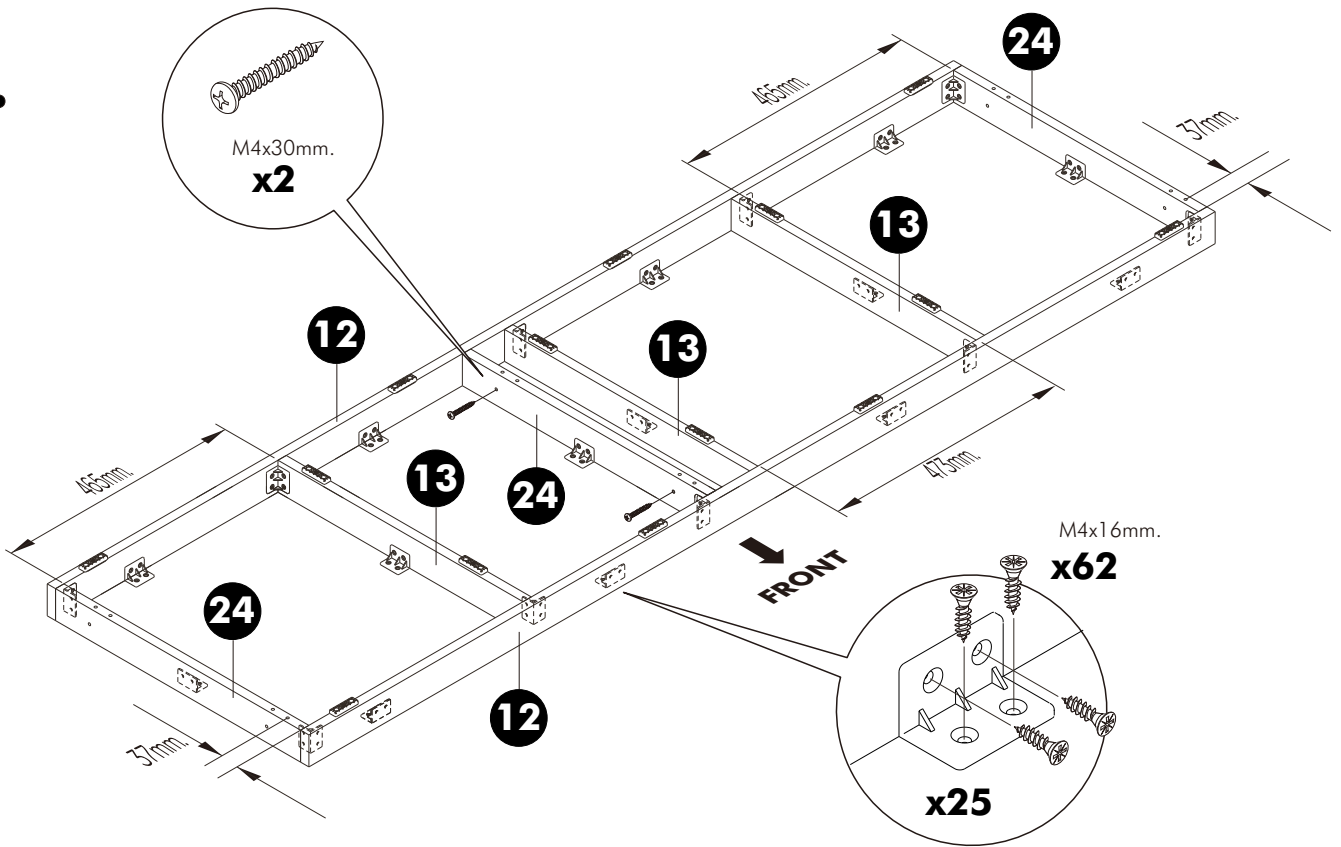
**x 6**



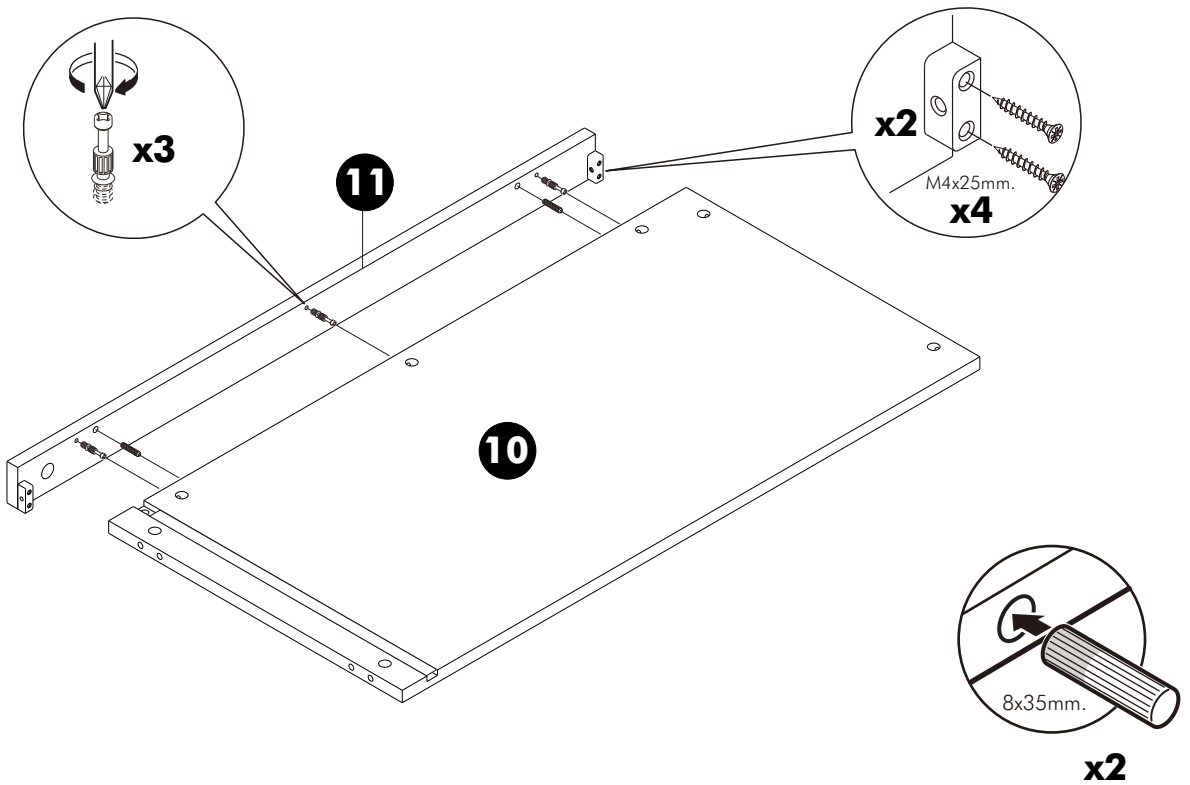
# ASSEMBLY

-BODY SET

1.

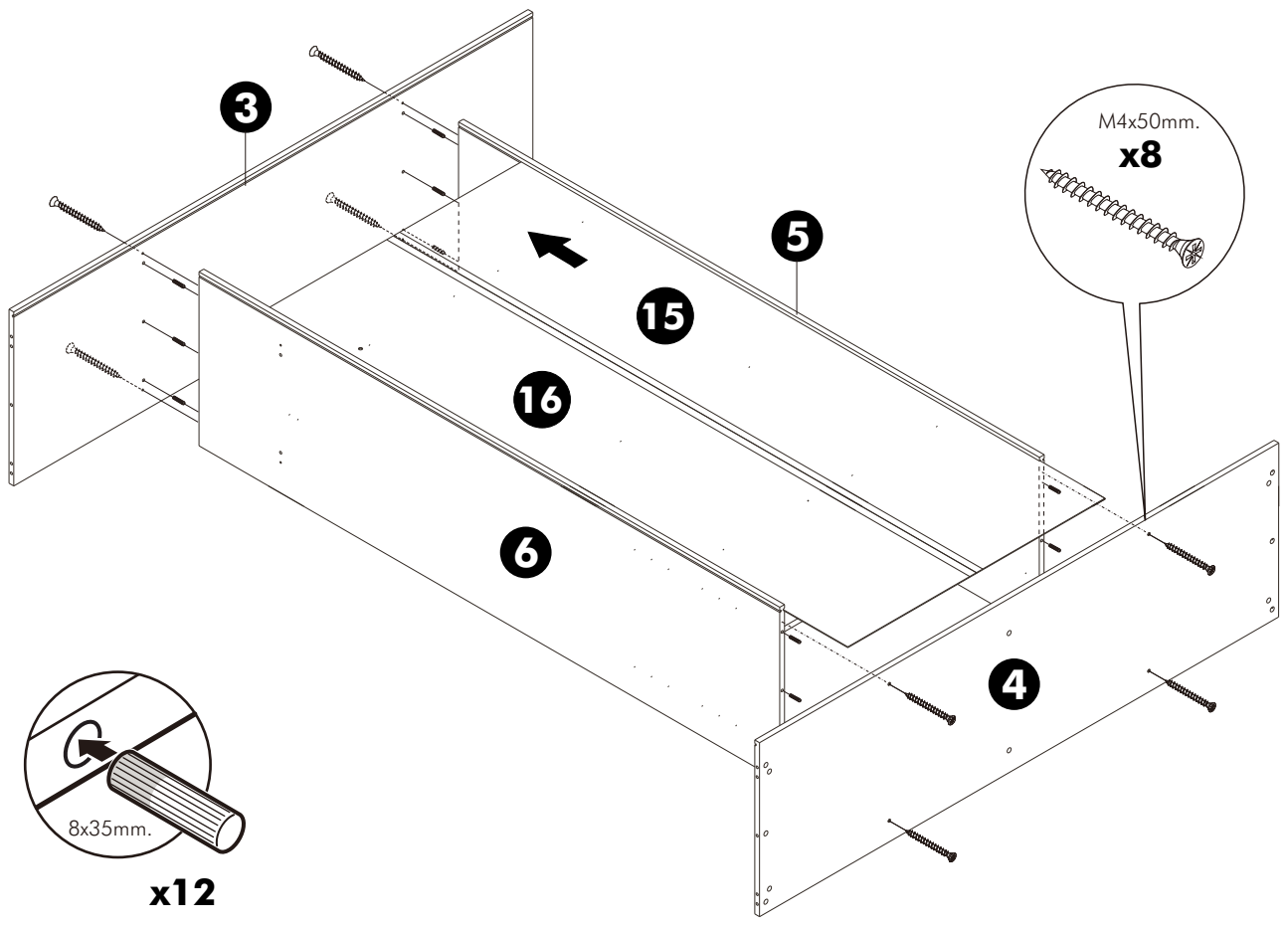


2.

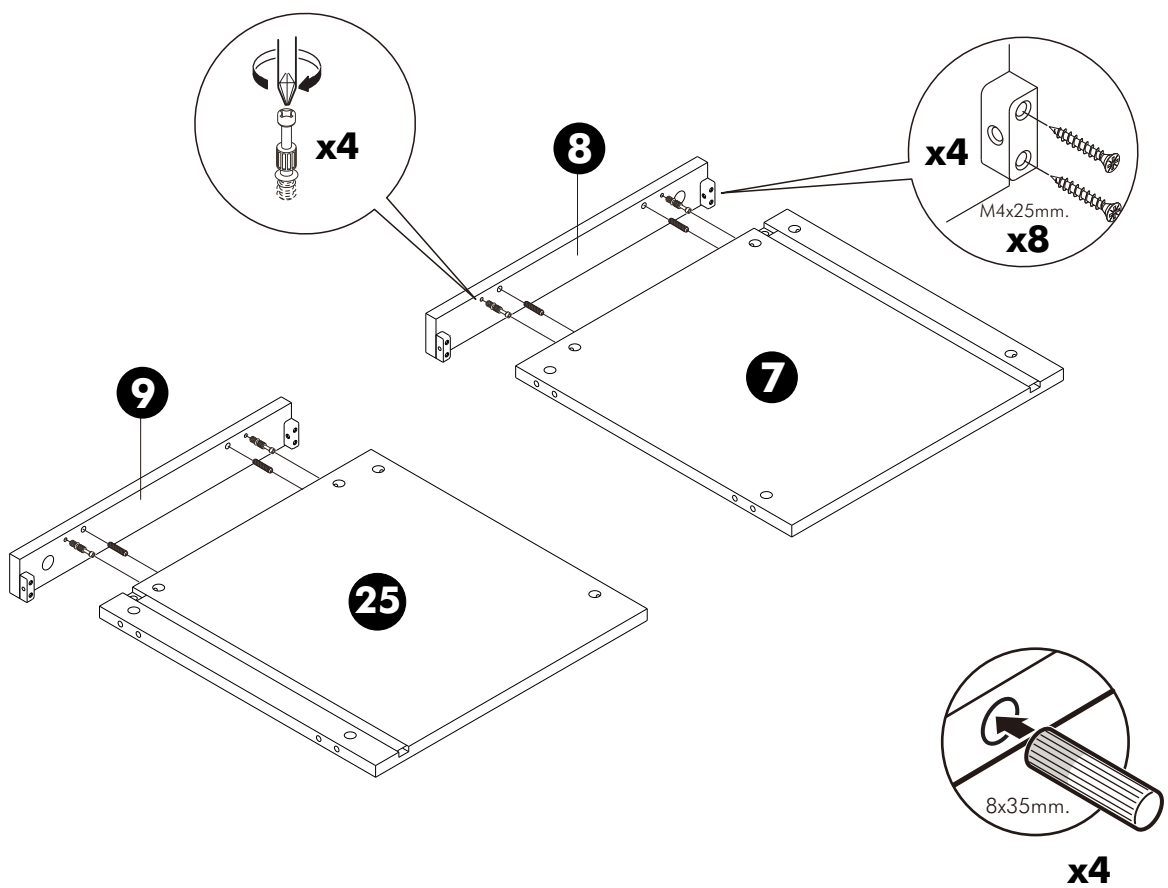




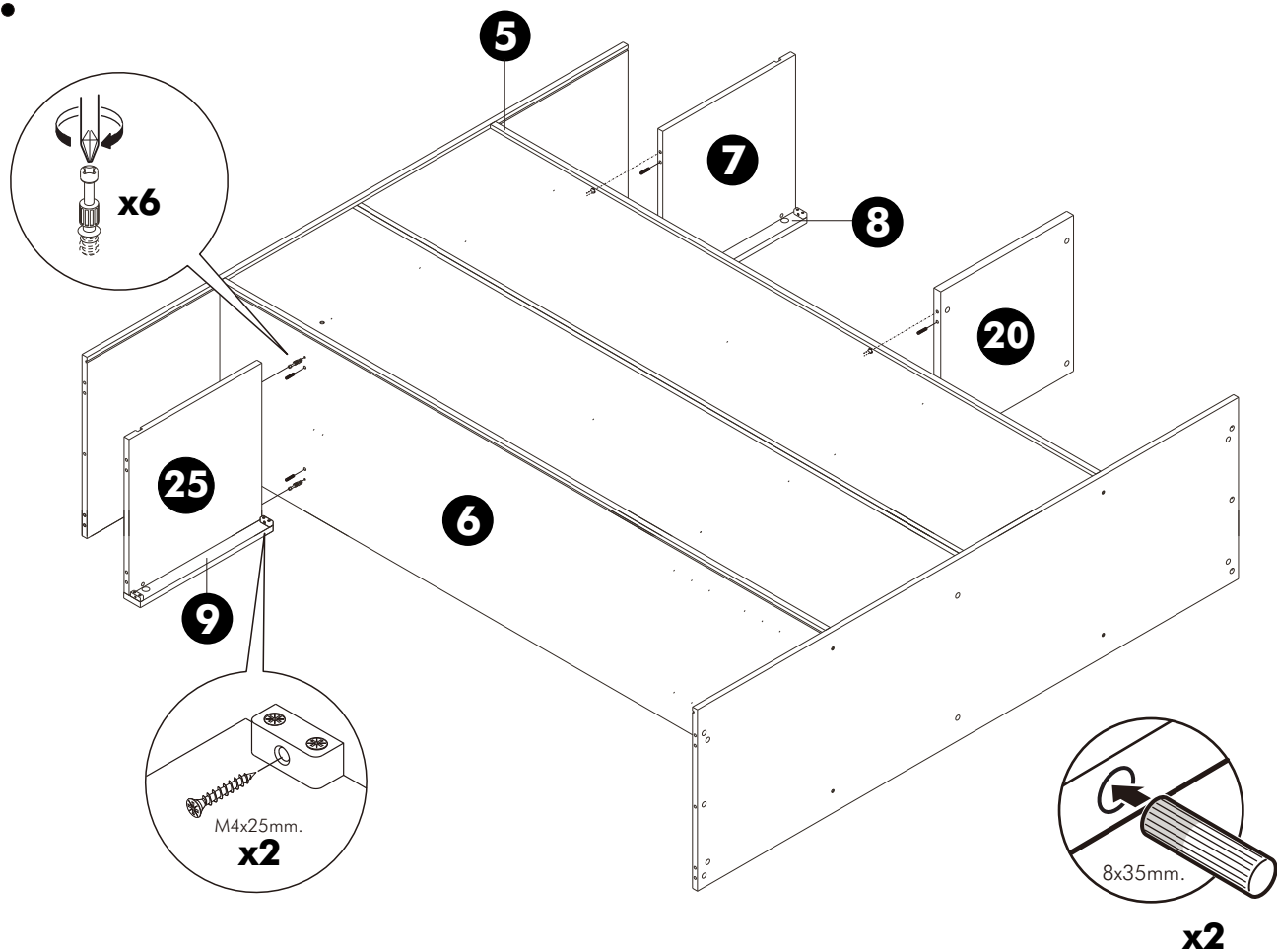
# 5.



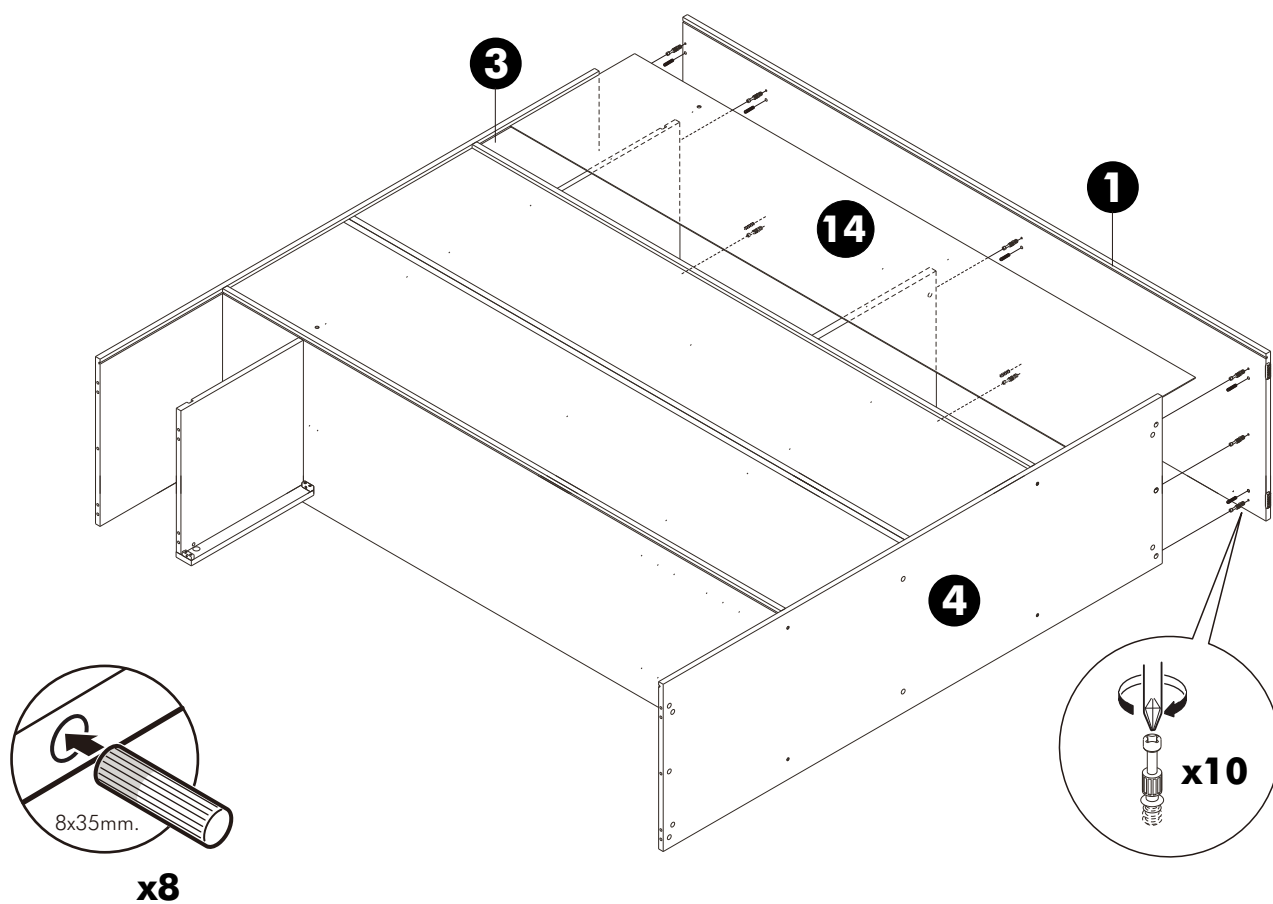
# 6.



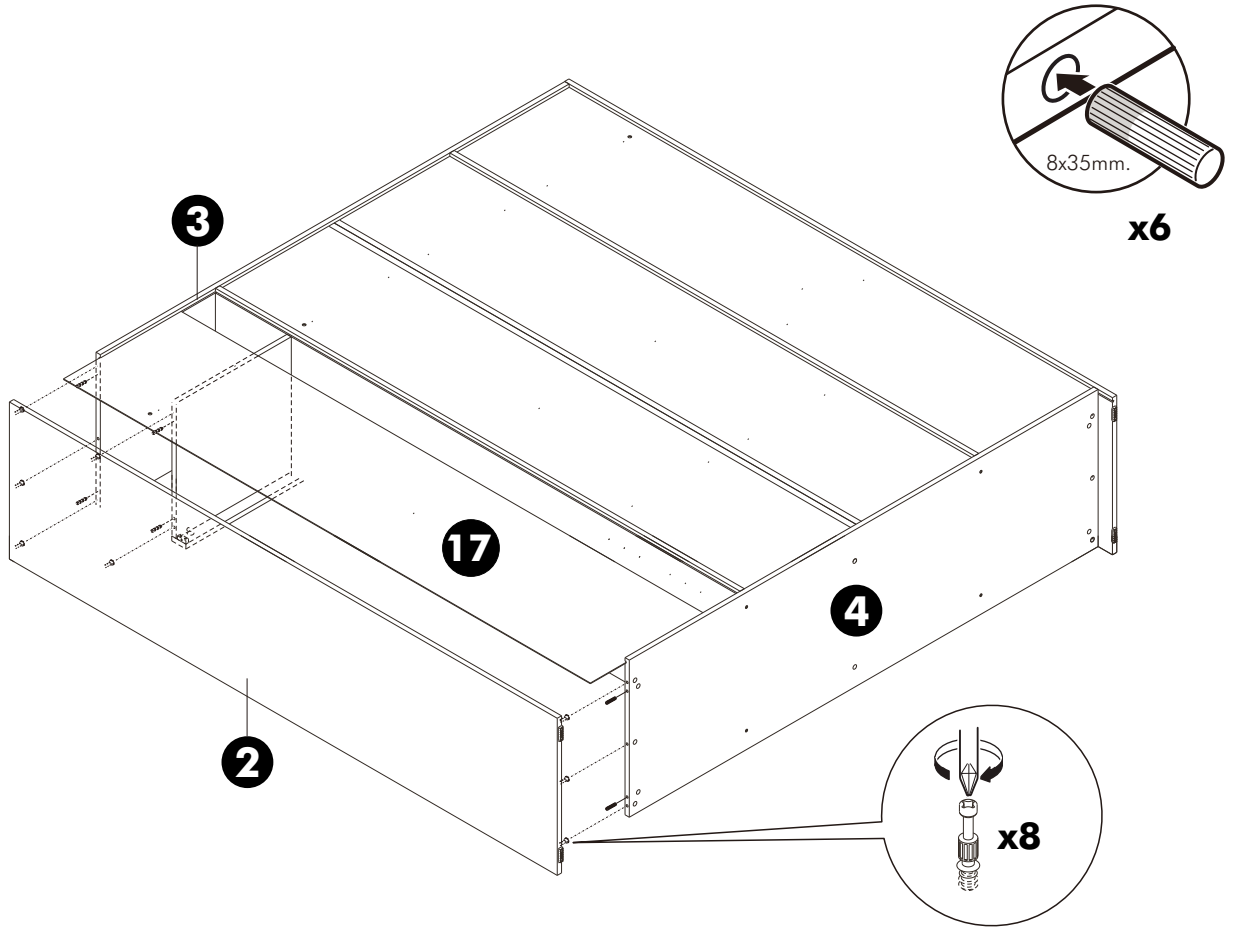
**7.**



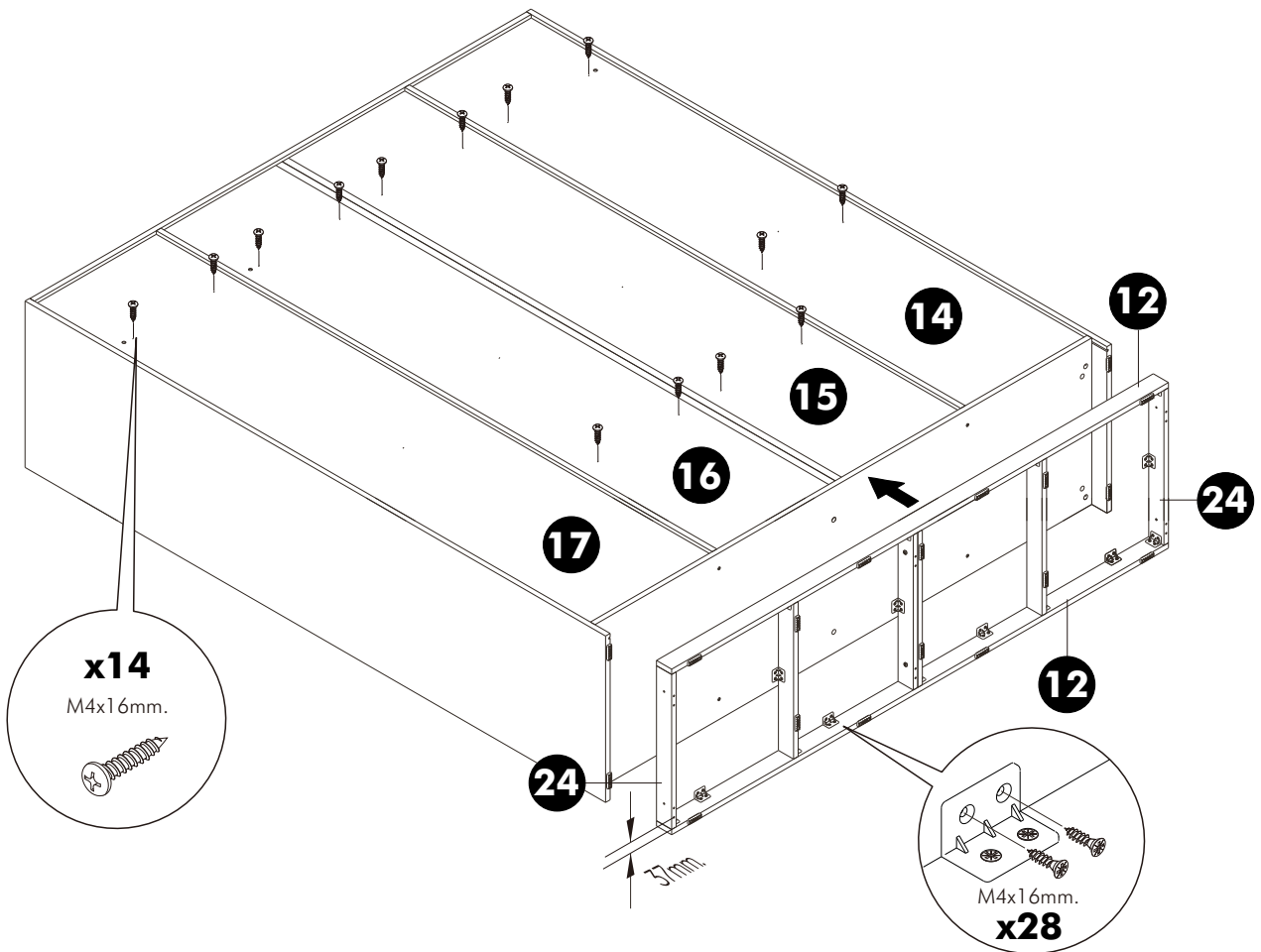
**8.**



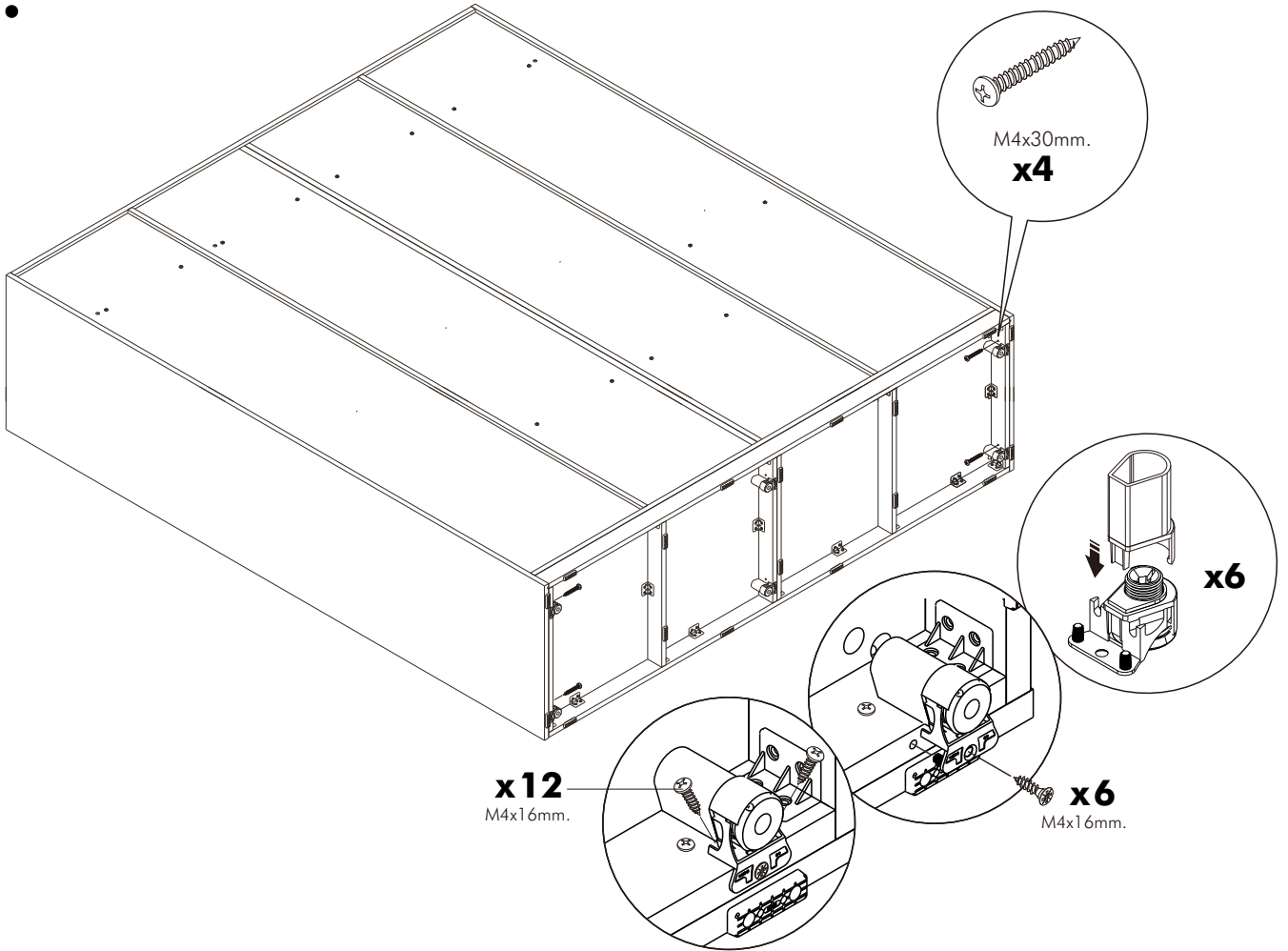
9.



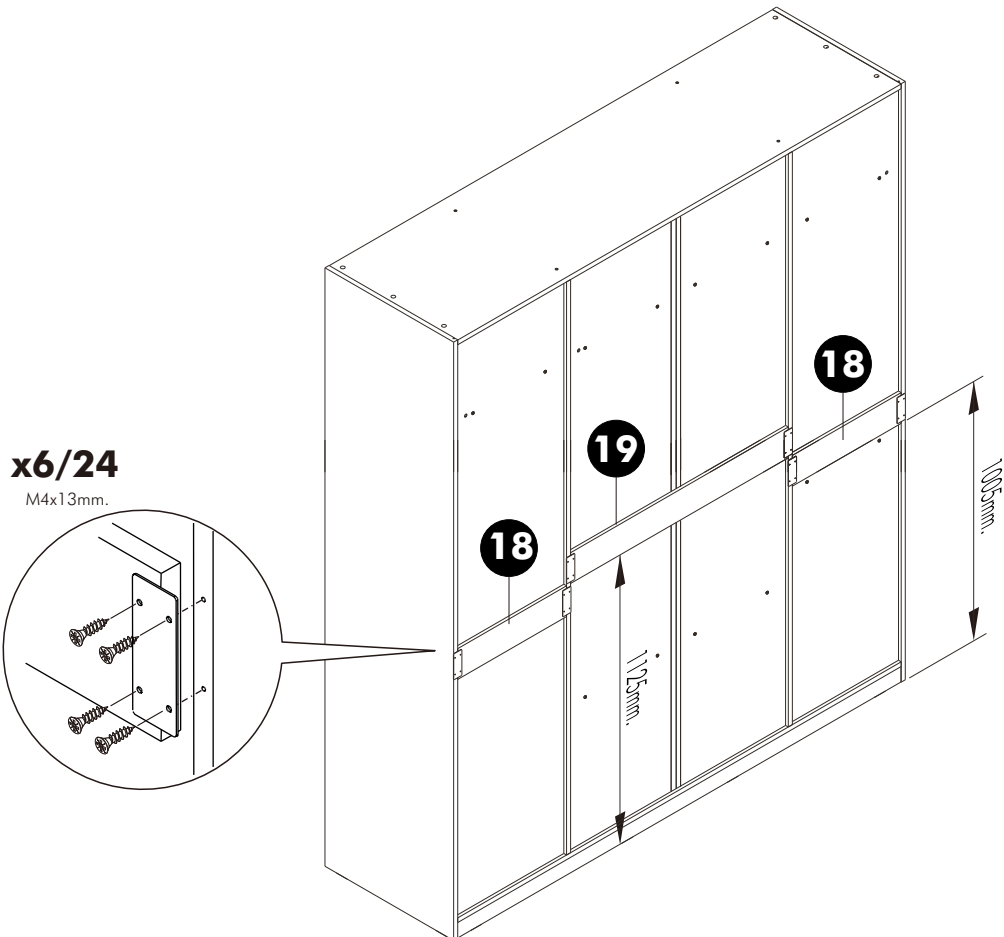
10.



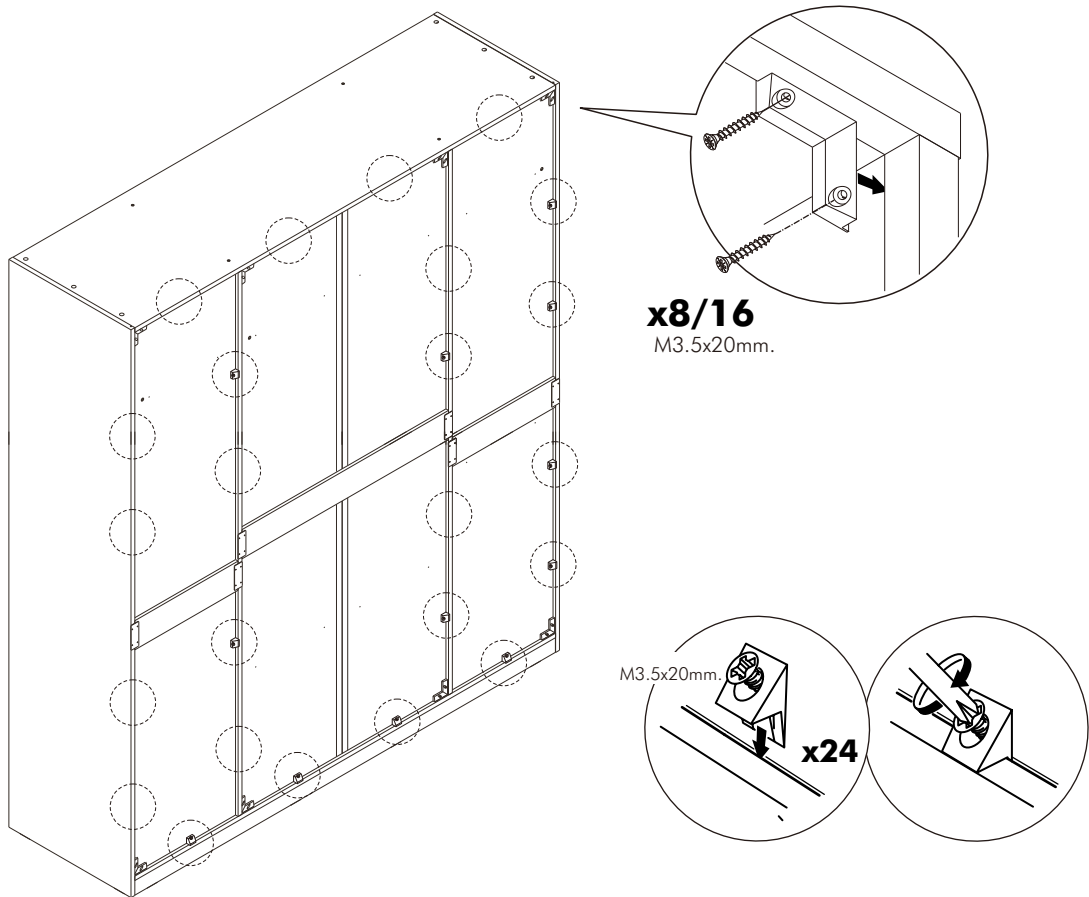
**11.**



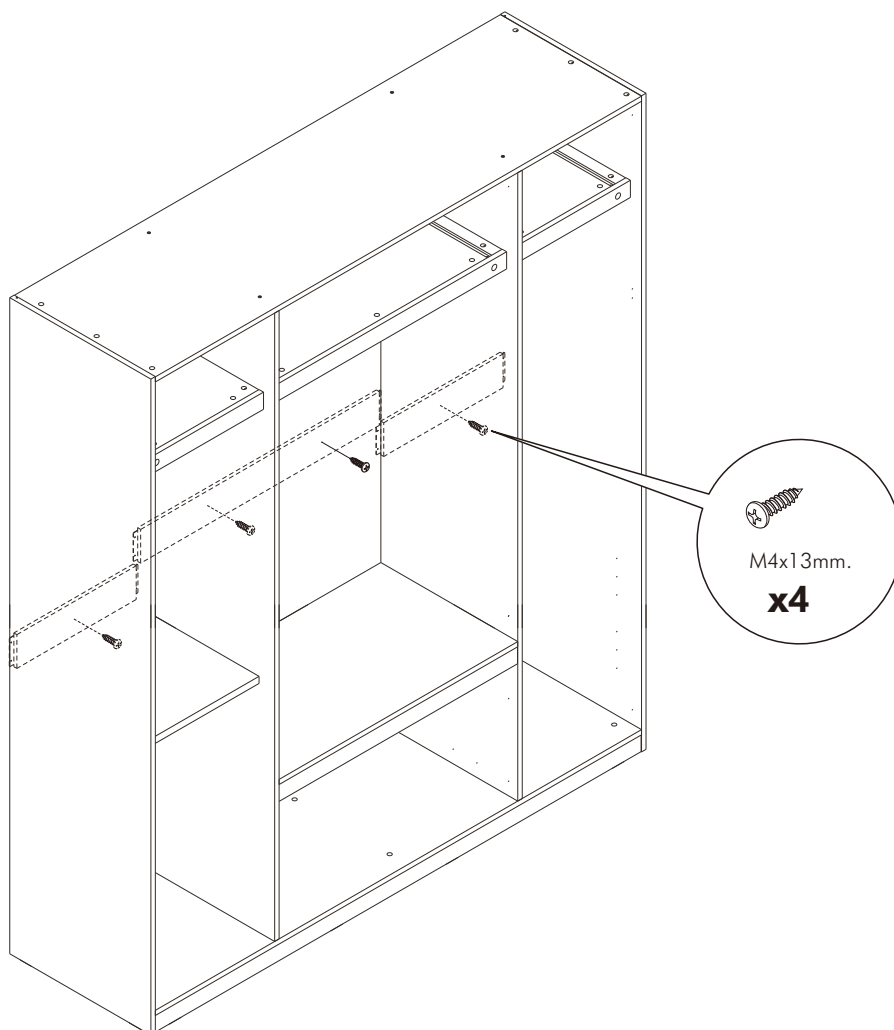
**12.**



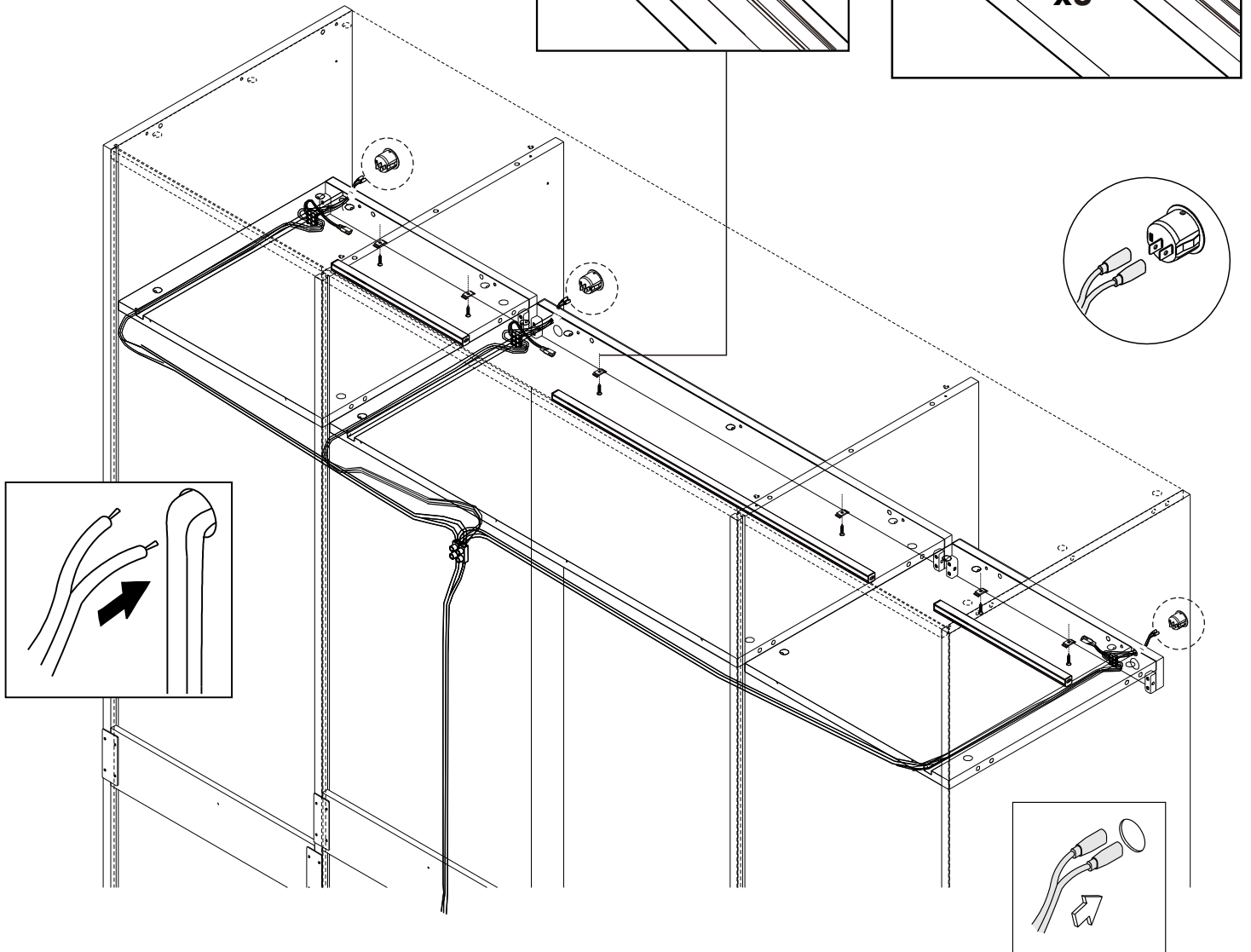
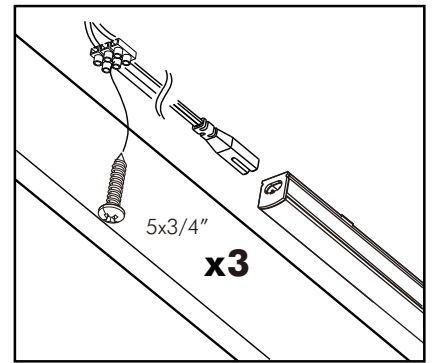
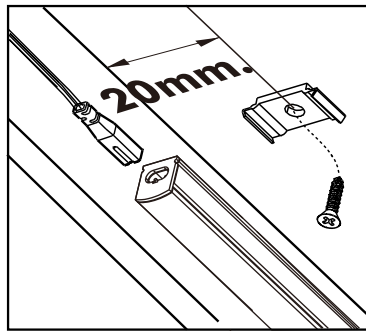
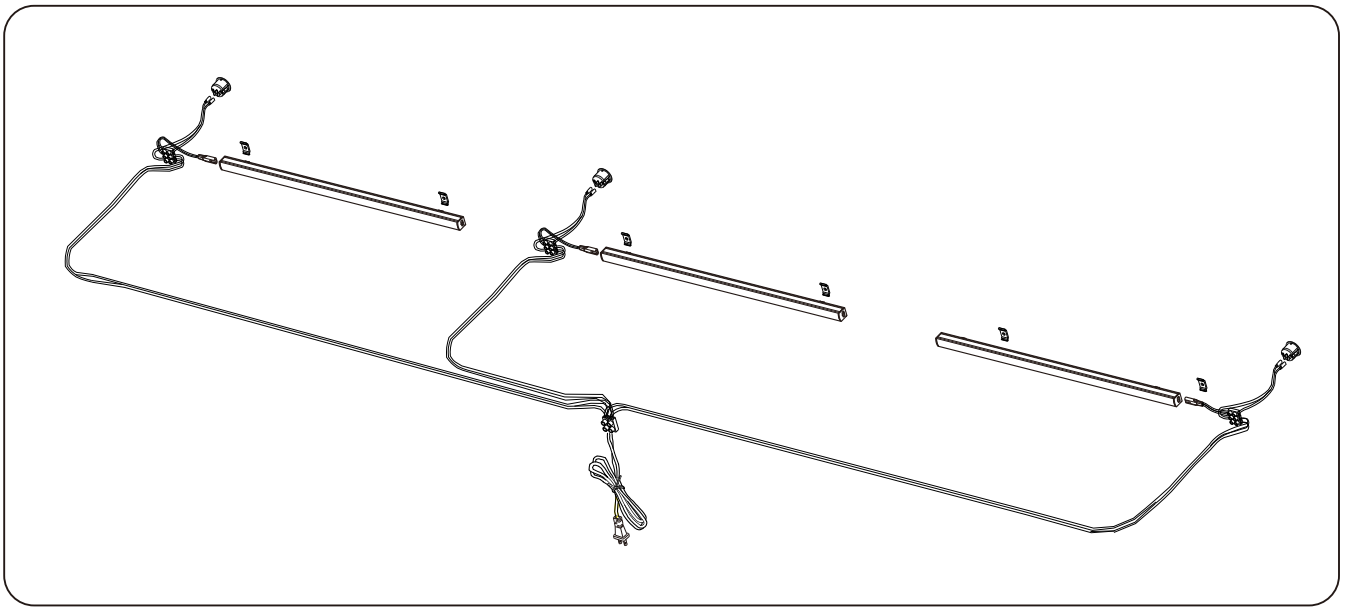
**13.**



**14.**



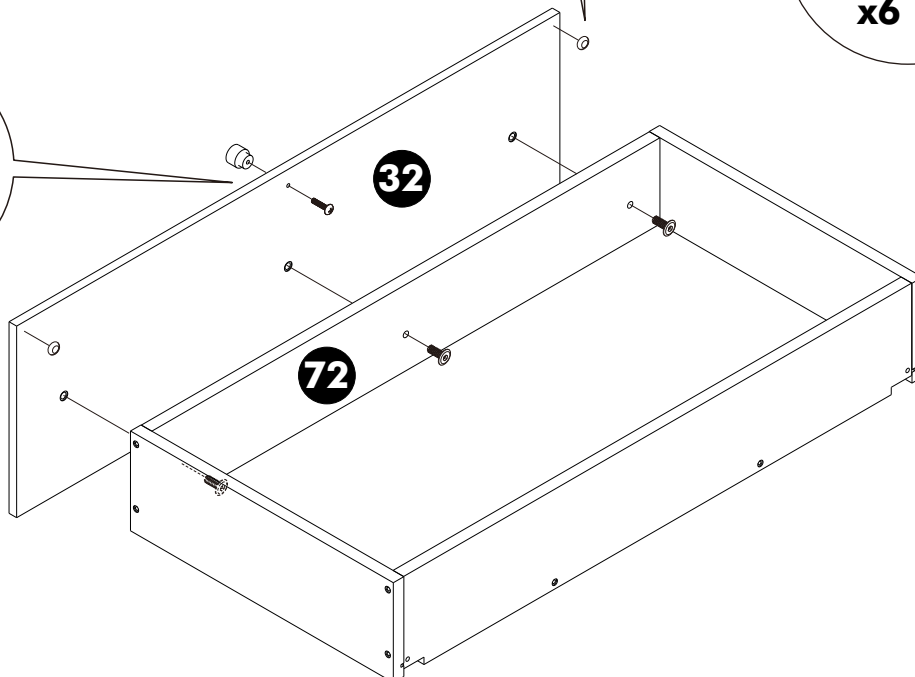
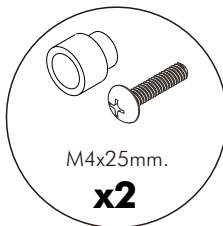
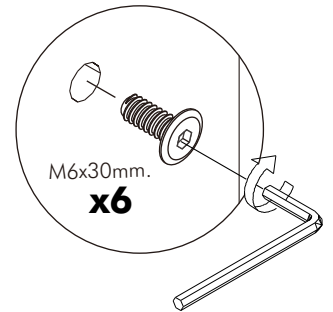
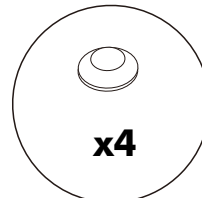
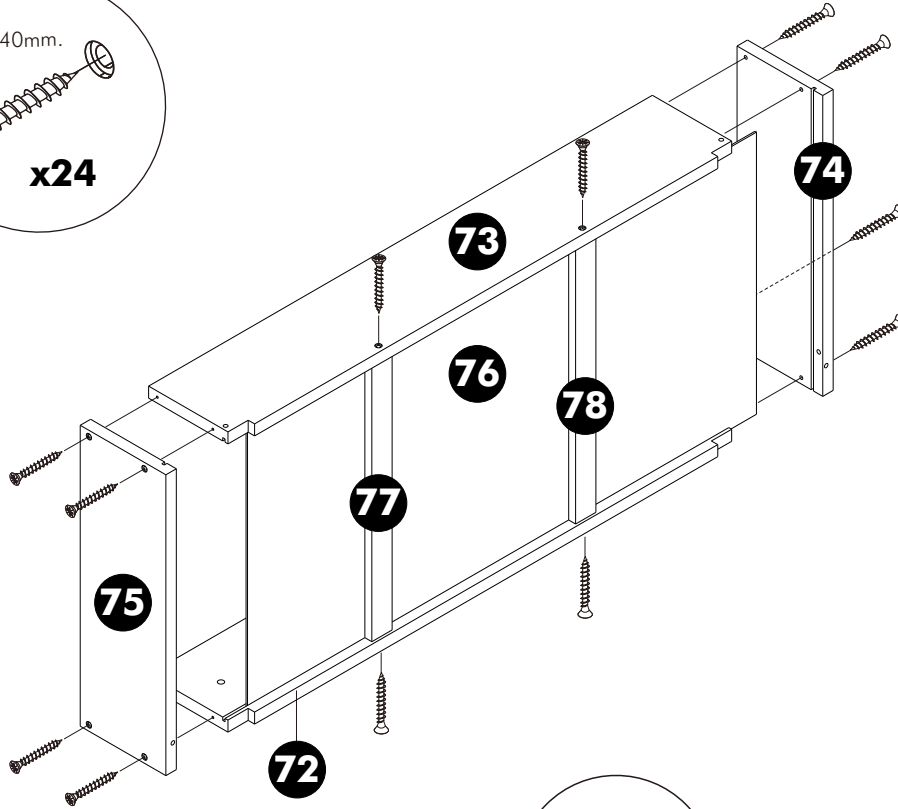
15.



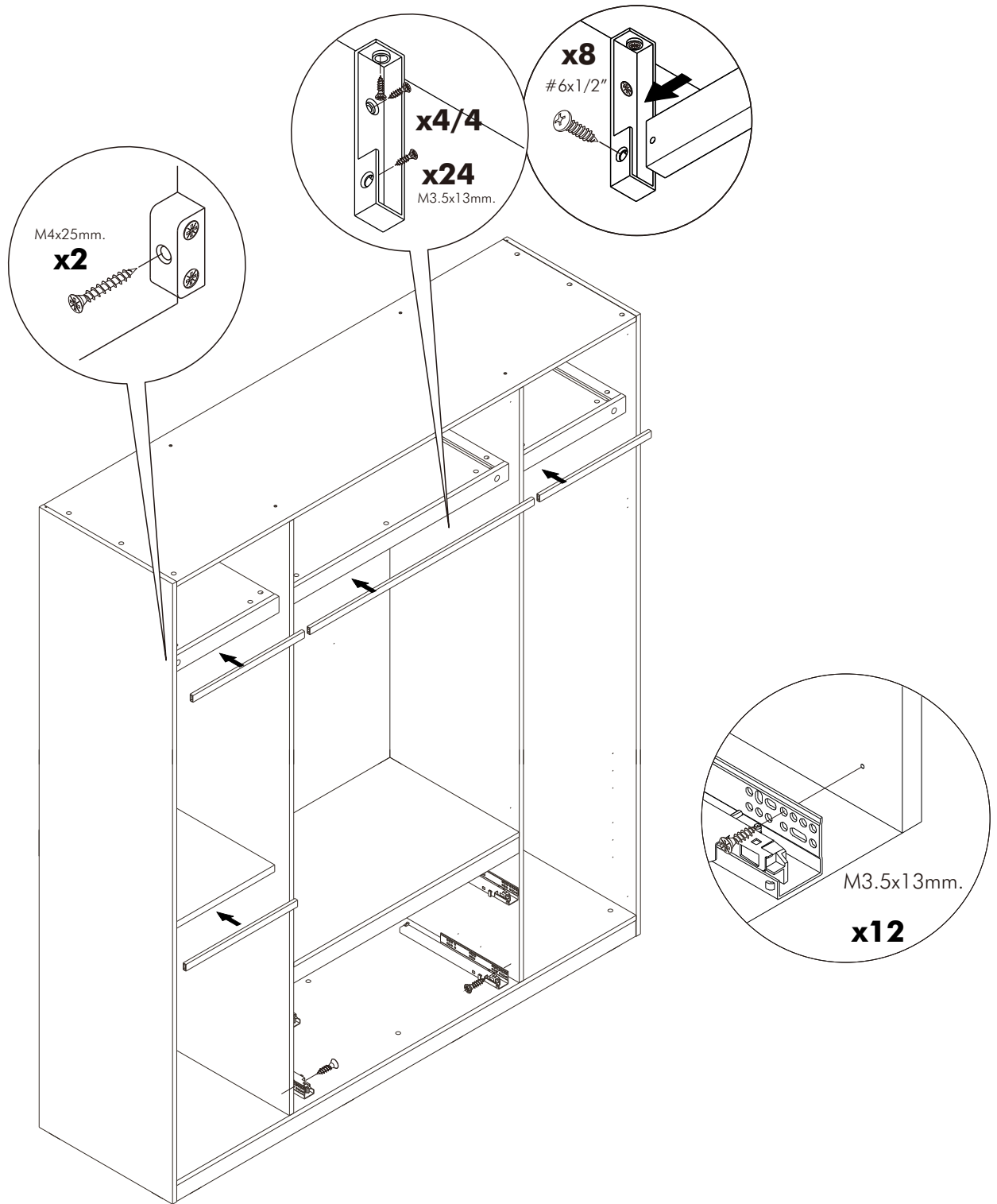
**ASSEMBLY**

-DRAWER SET

**x2**

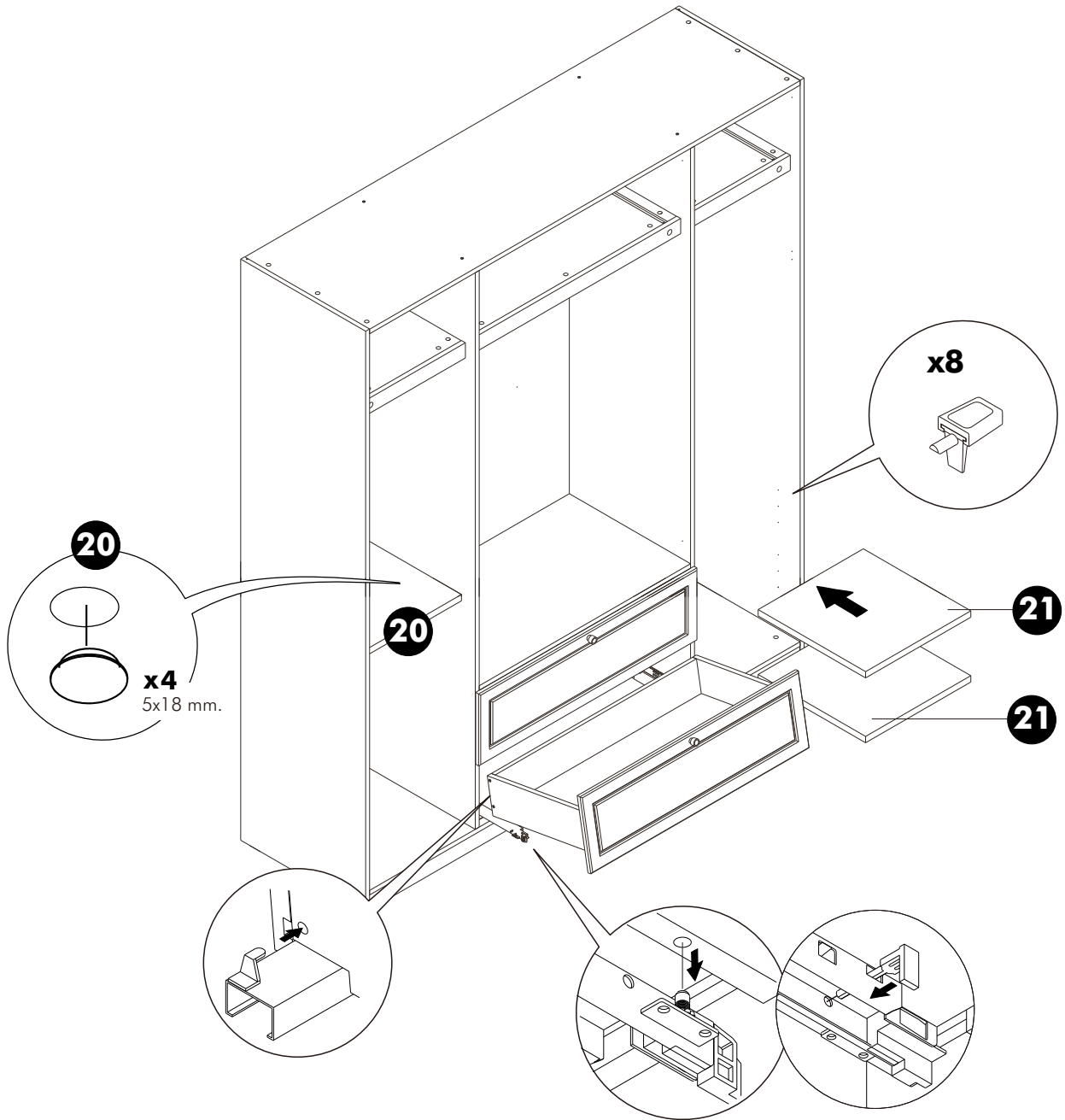


# 16.



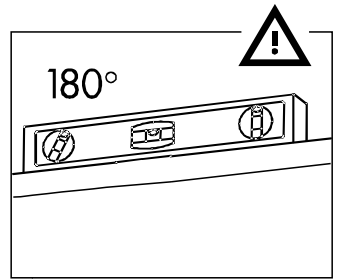
# ASSEMBLY

## -DRAWER SET

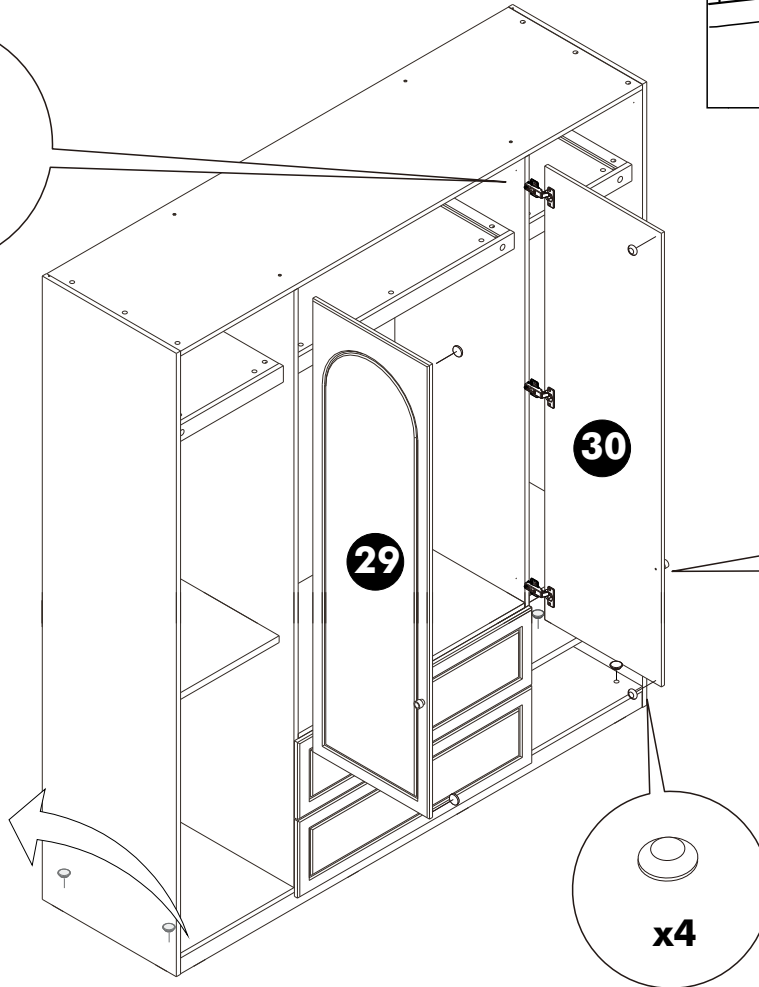
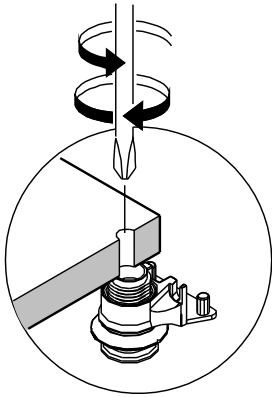
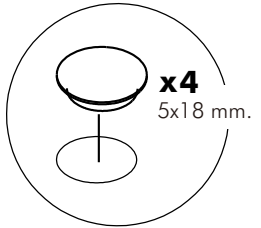
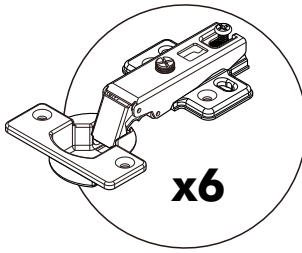


# ASSEMBLY

-DOOR SET



**1.**



**2.**

