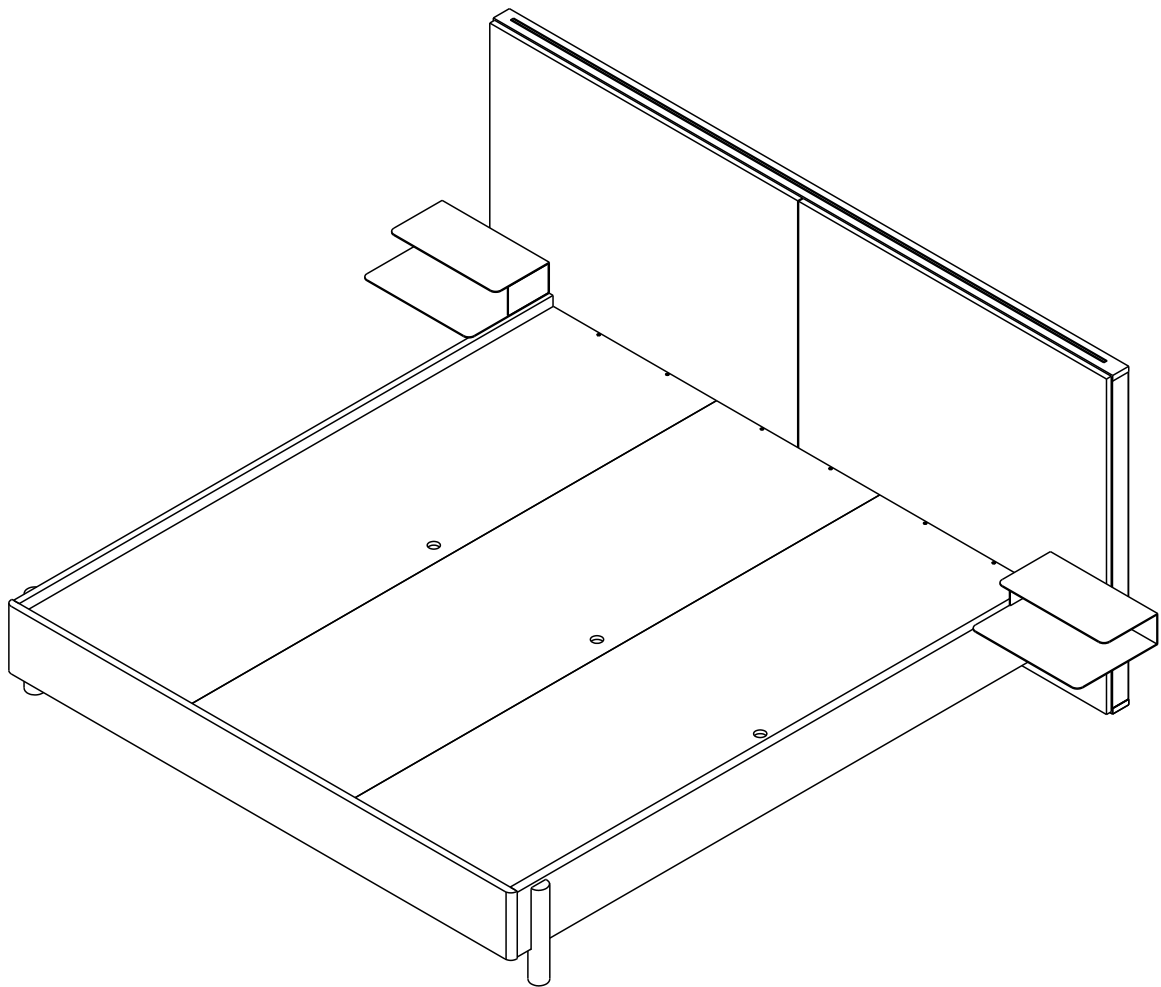


STARLIGHT

BED 6 ft.



CONNECT SYSTEM

1

3

2

(Connecting bolts)

WHEN FITTING CAMS
 ENSURE STARTING POSITION IS CORRECT
 BEFORE YOU INSERT CONNECTING BOLT
 TURN CLOCKWISE UNTIL SECURE

✓				✗
↑	CORRECT	WRONG		

M4x16mm.

OUT

IN

M4x16mm.

i

40mm.

☹

✗

EQ

☺

✓

M6x45mm.

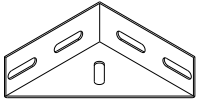
M6

M6

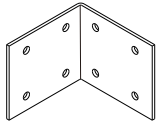
M4x16mm.

HARDWARE

-BODY SET



x 4



x 4



No.1

x 3



x 2



#M6

x 4



#M6

x 4



ID8.4mm.

x 20



TF+M6x45

x 4



P+M8x20mm.

x 16



TFL4+M6x35

x 4



M4x16mm.

x 40



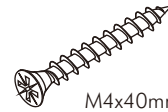
M4x30mm.

x 48



M4x16mm.

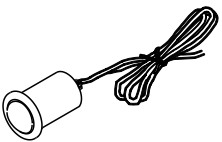
x 13



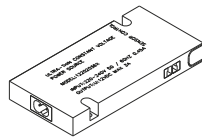
M4x40mm.

x 1

-LAMP SET



x 1

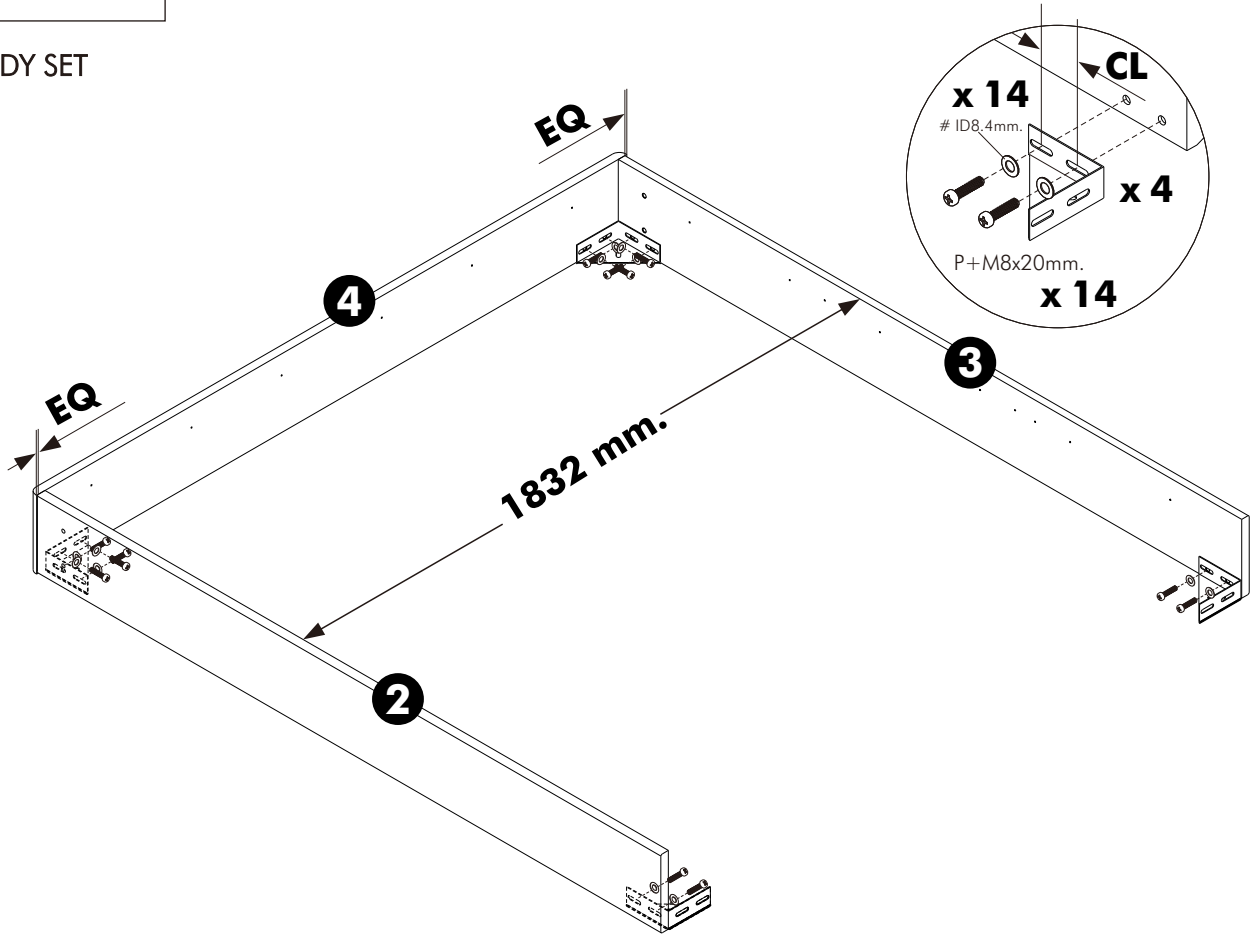


x 1

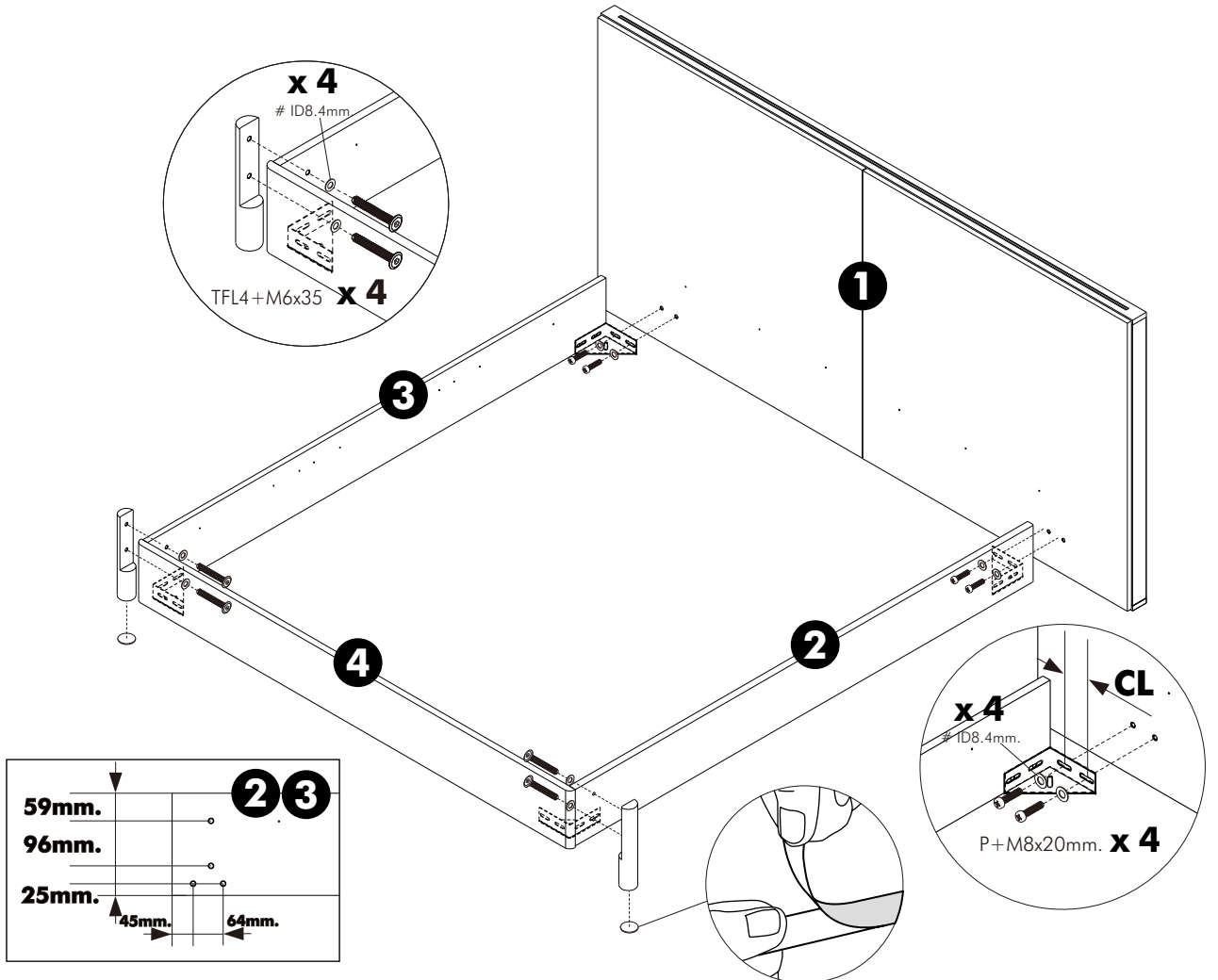
ASSEMBLY

-BODY SET

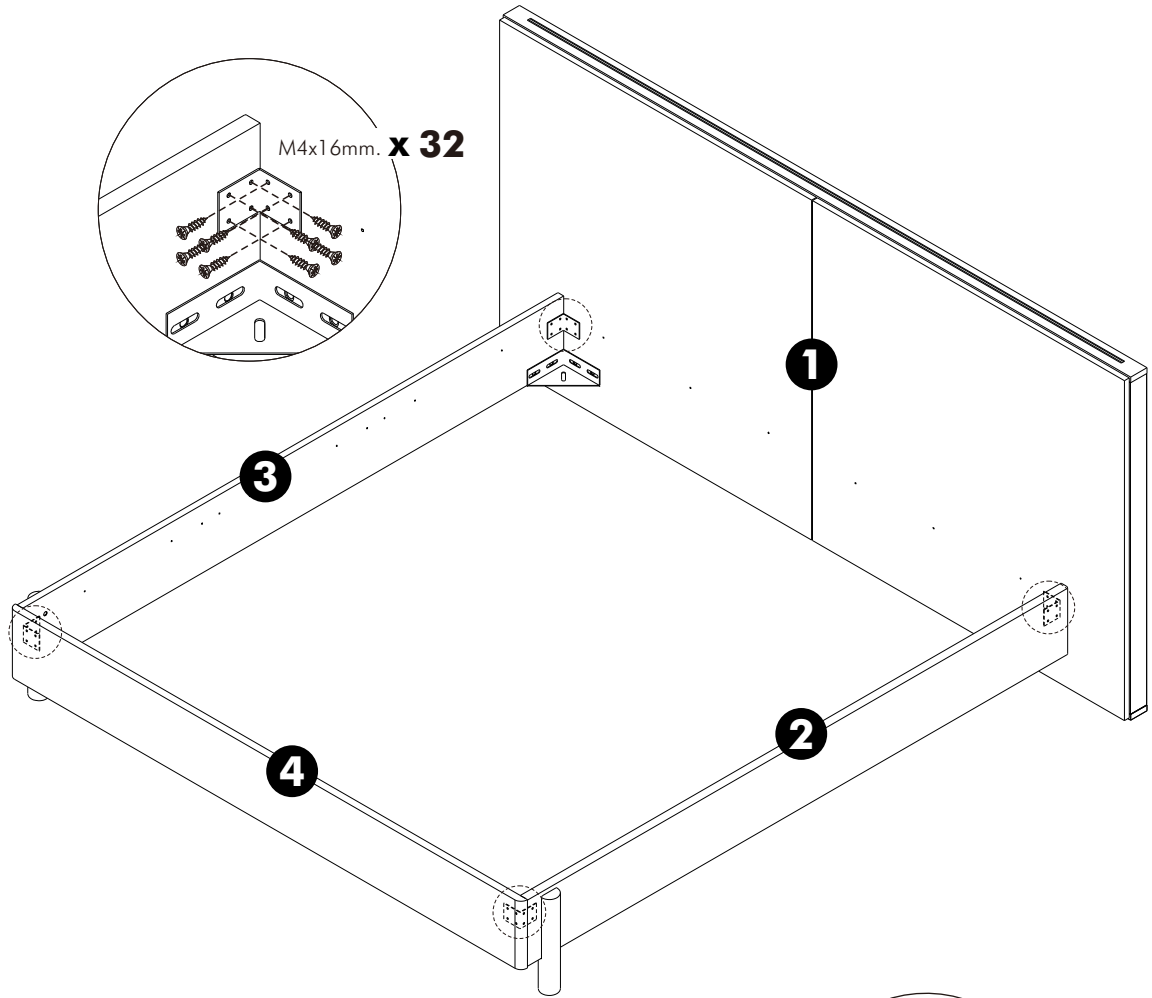
1.



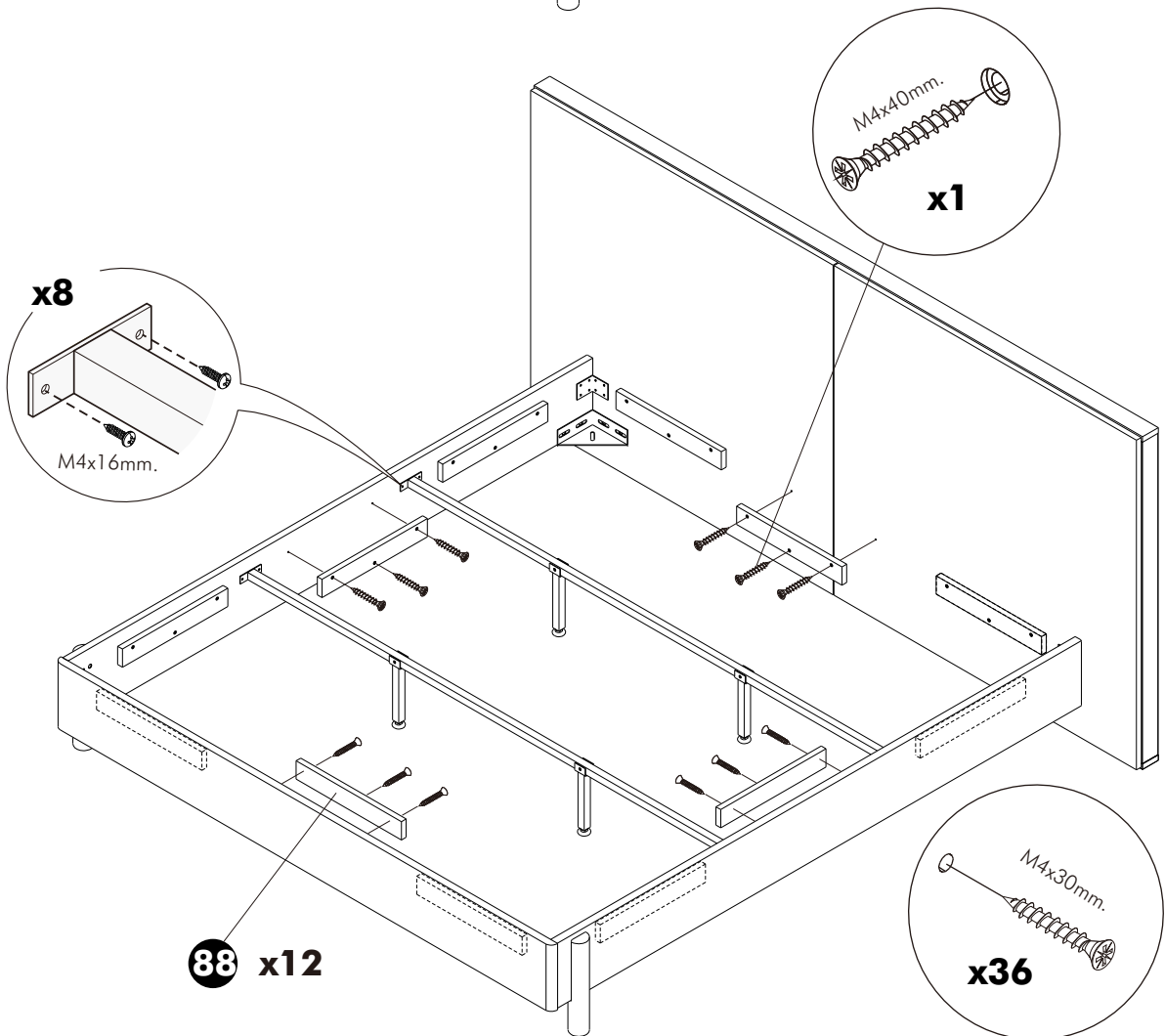
2.



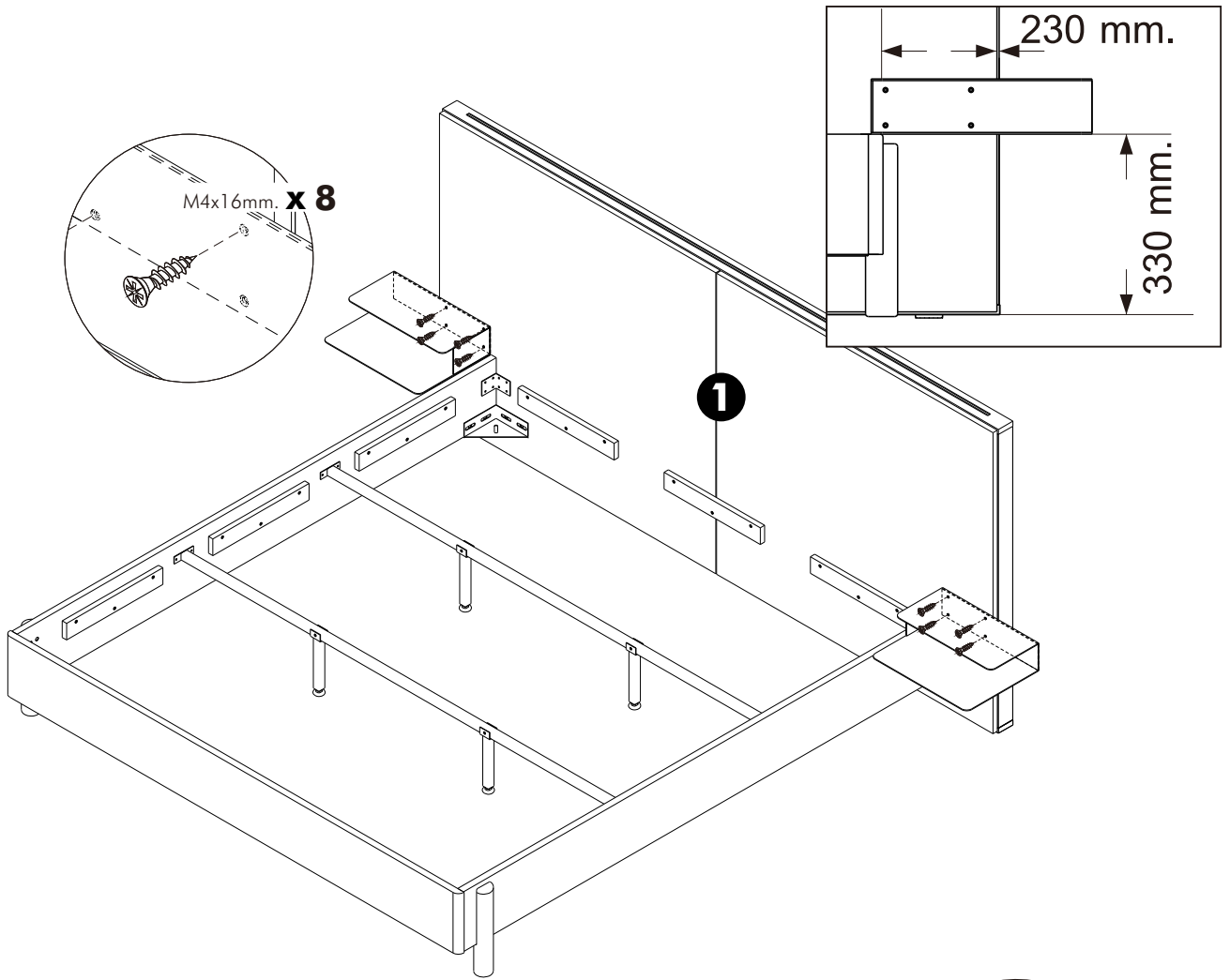
3.



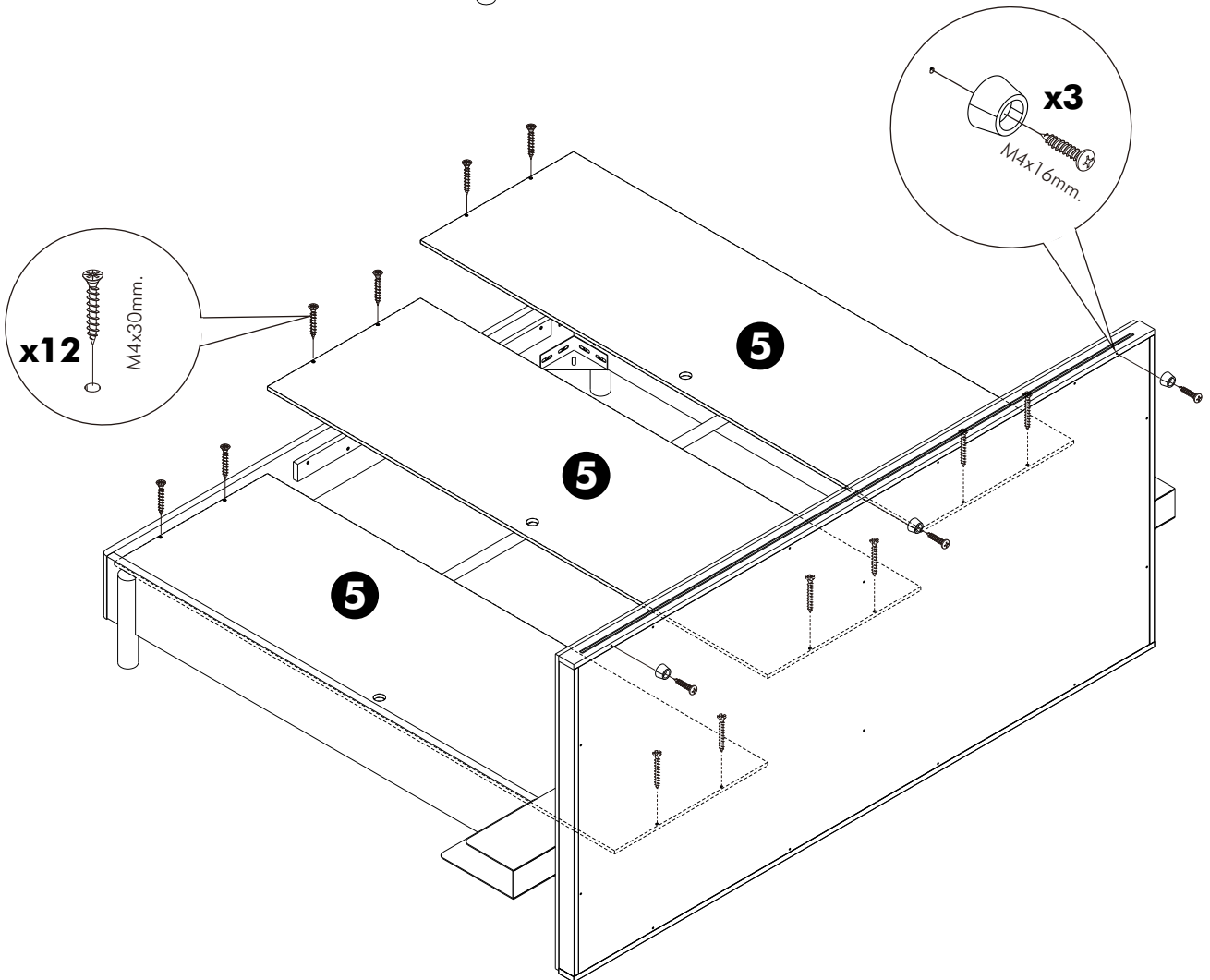
4.



5.



6.



8.

