

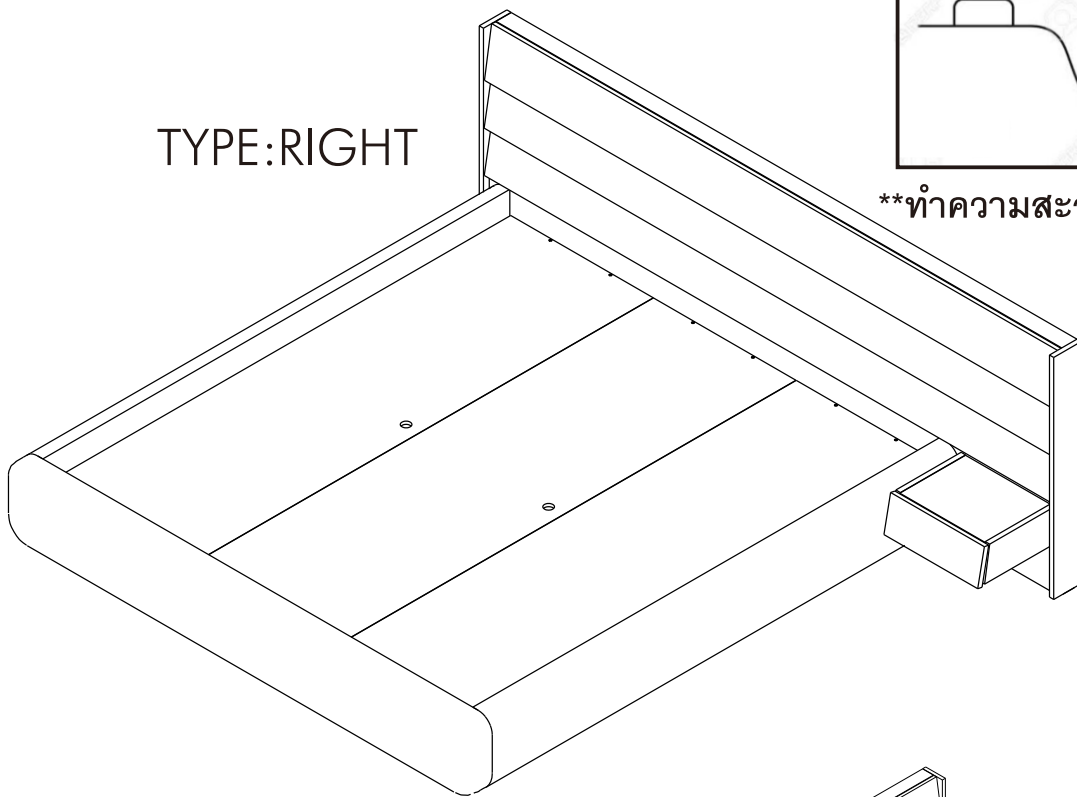
# CLOUD

**BED 6 ft.**

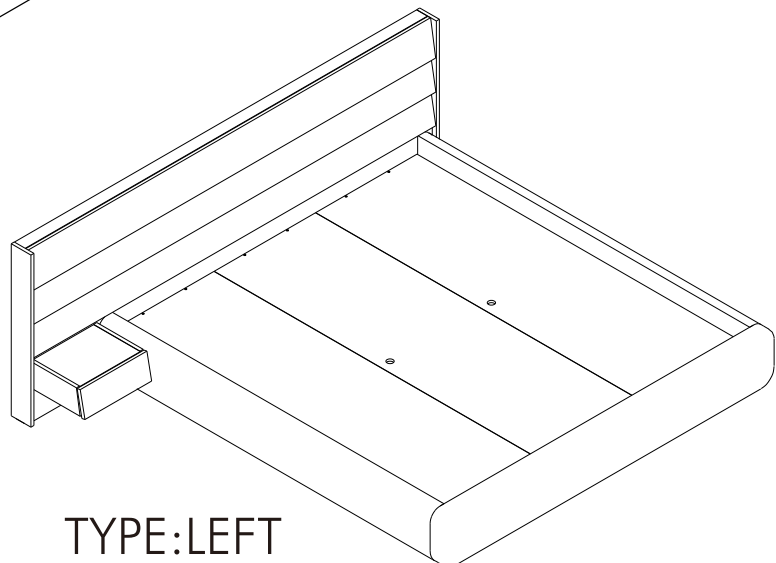


\*\*ทำความสะอาดมือก่อนประกอบ

TYPE:RIGHT



TYPE:LEFT



# CONNECT SYSTEM

**1**

**3**

**2**

(Connecting bolts)

**WHEN FITTING CAMS**  
 ENSURE STARTING POSITION IS CORRECT  
 BEFORE YOU INSERT CONNECTING BOLT  
 TURN CLOCKWISE UNTIL SECURE

✓	✗	✗	✗	✗
↑	↑	↑	↑	↑
<b>CORRECT</b>				<b>WRONG</b>

M4x16mm.

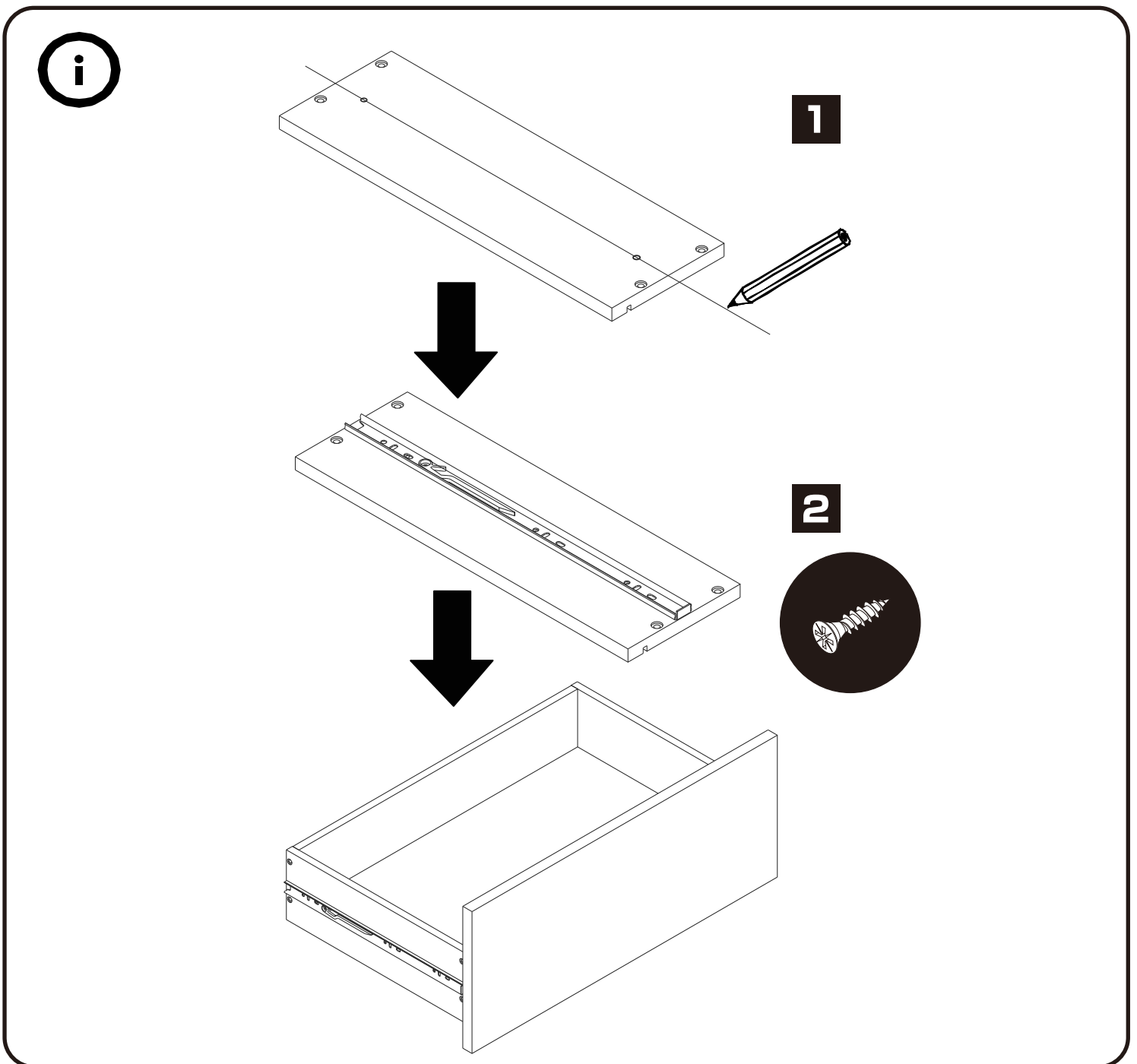
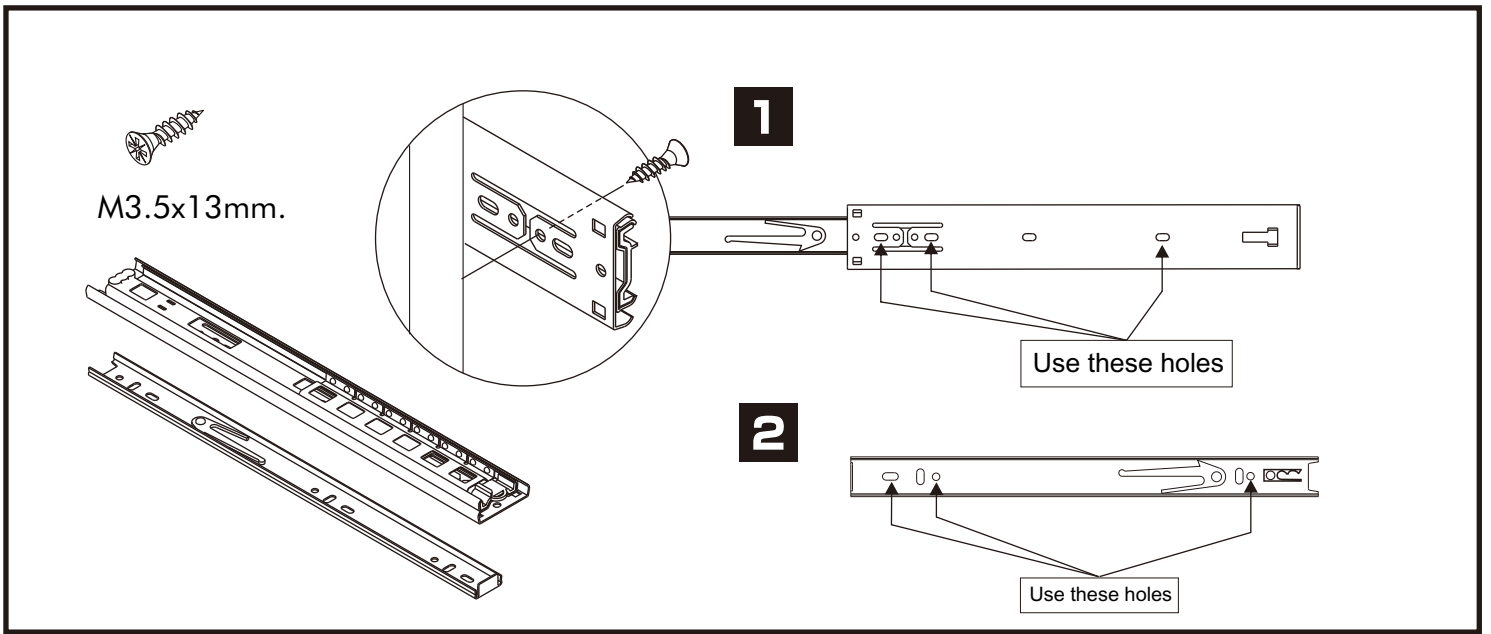
**i**

M6x45mm.

M6

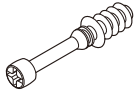
M6

M4x16mm.



# HARDWARE

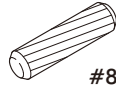
## -BODY SET



**x 8**

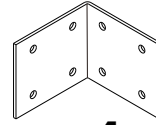


**x 8**



#8x35

**x 8**

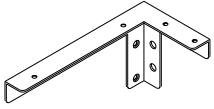


**x 4**

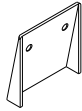


No.1

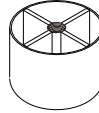
**x 3**



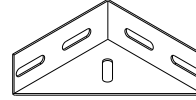
**x 2**



**x 2**



**x 4**



**x 4**



#M6

**x 4**



#M6

**x 8**



# ID8.4mm.

**x 16**



# ID10 mm.

**x 4**



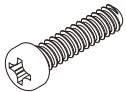
TF+M6x45

**x 4**



TFL4+M6x50

**x 4**



P+M8x20mm.

**x 16**



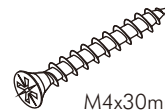
M4x16mm.

**x 11**



M4x16mm.

**x 40**



M4x30mm.

**x 48**



M4x20mm.

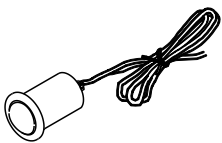
**x 8**



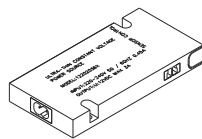
# ID8.4mm.

**x 8**

## -LAMP SET

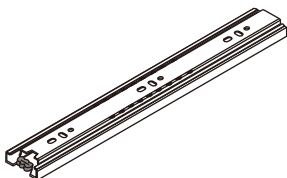


**x 1**



**x 1**

## -DRAWER SET

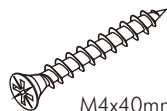


**x 1**



M3.5x13mm.

**x 12**



M4x40mm.

**x 8**



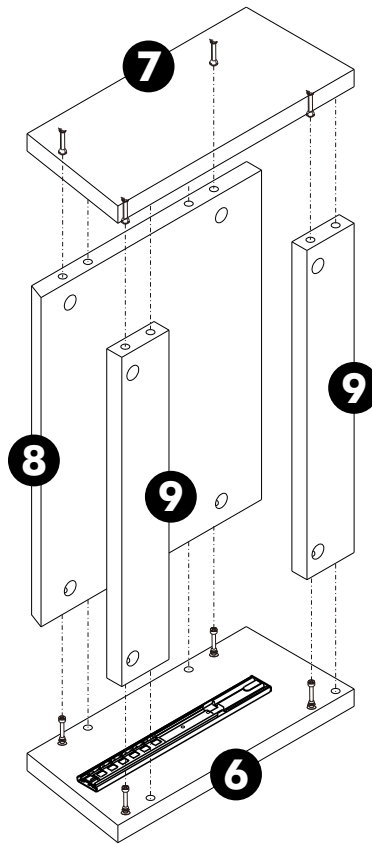
P+M4x30mm.

**x 4**

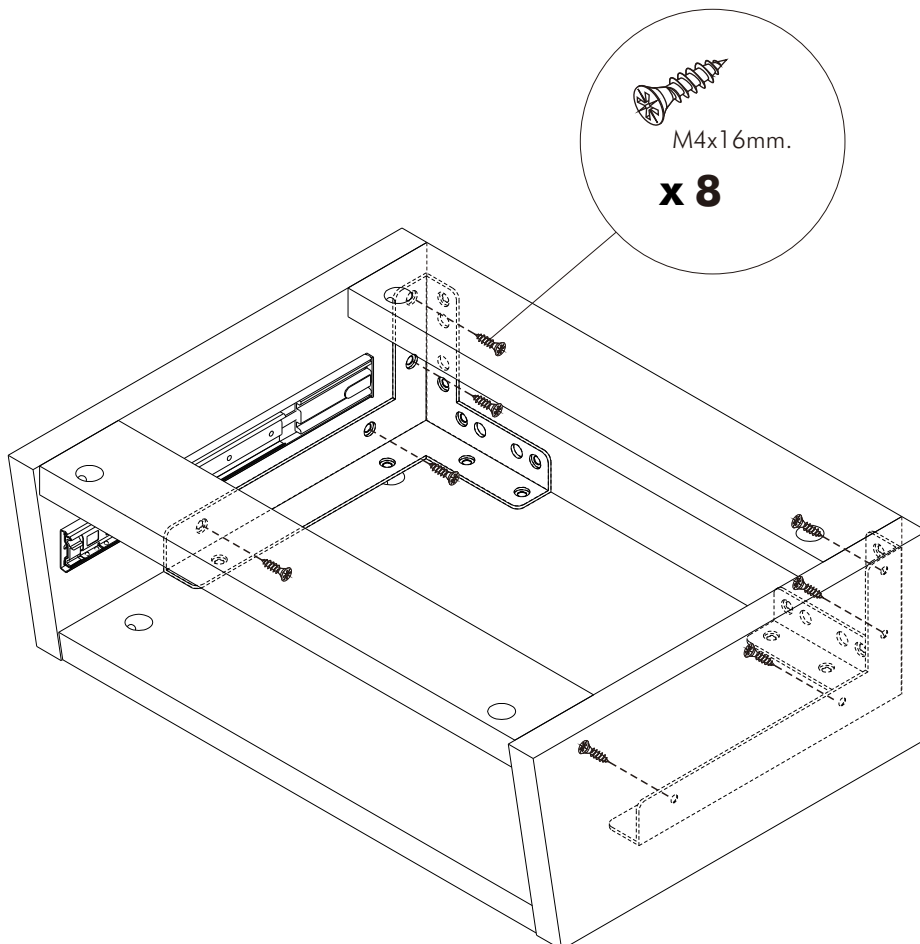
# ASSEMBLY

-BODY SET

**1.**



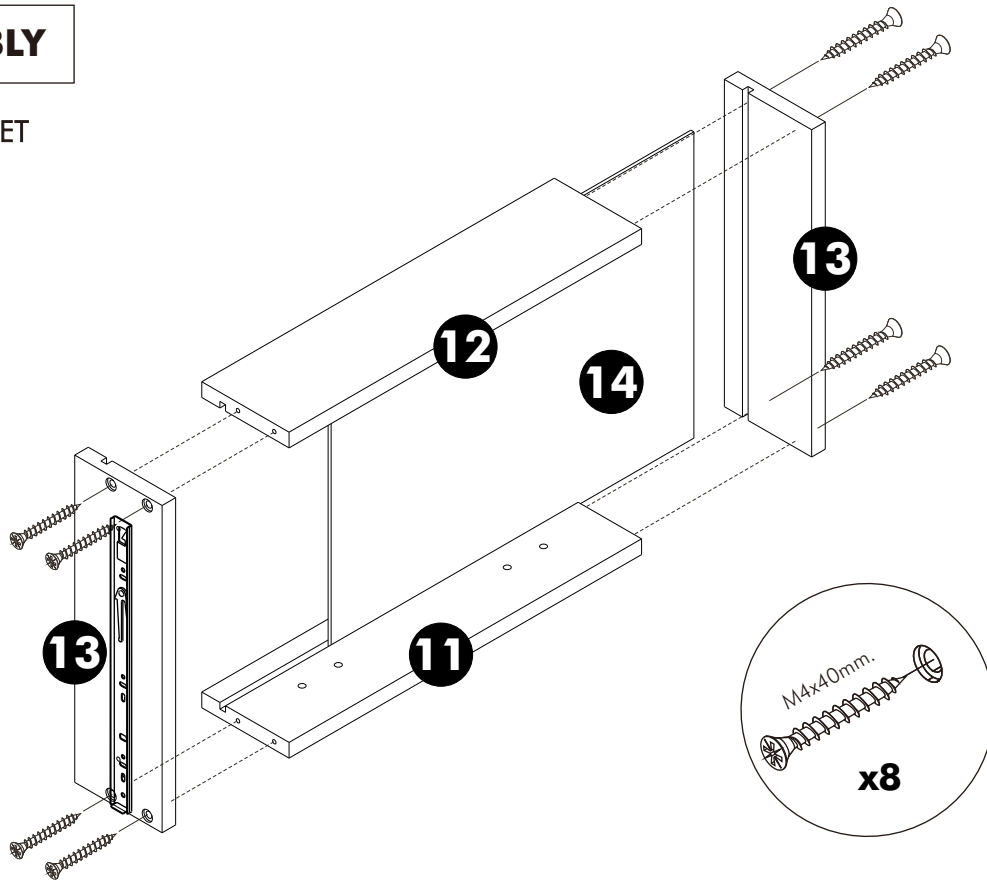
**2.**



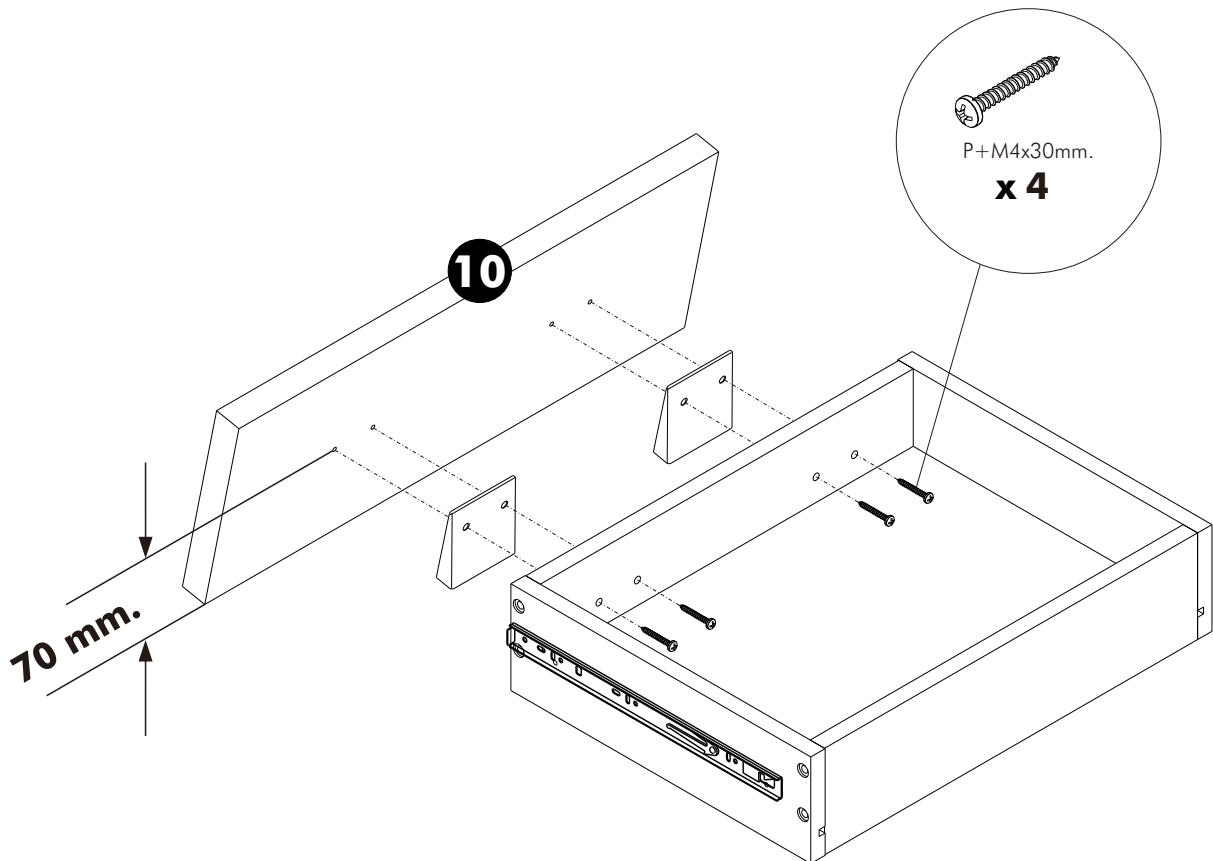
# 3.

## ASSEMBLY

-DRAWER SET



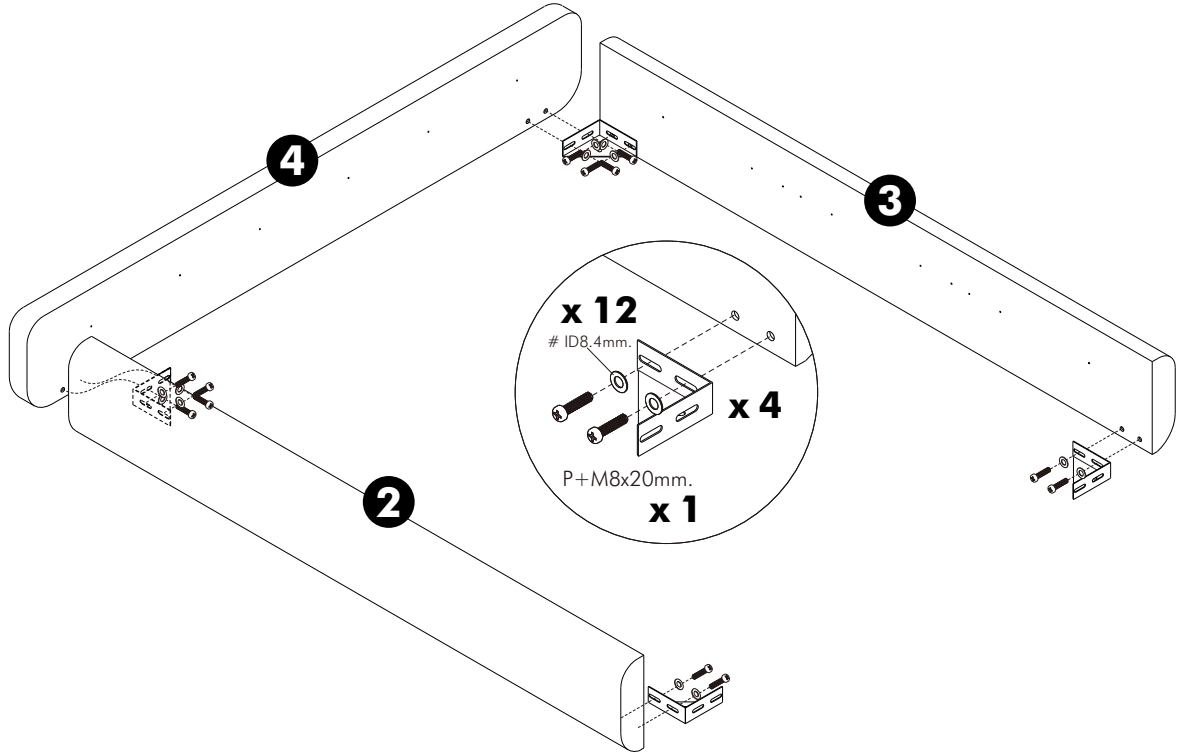
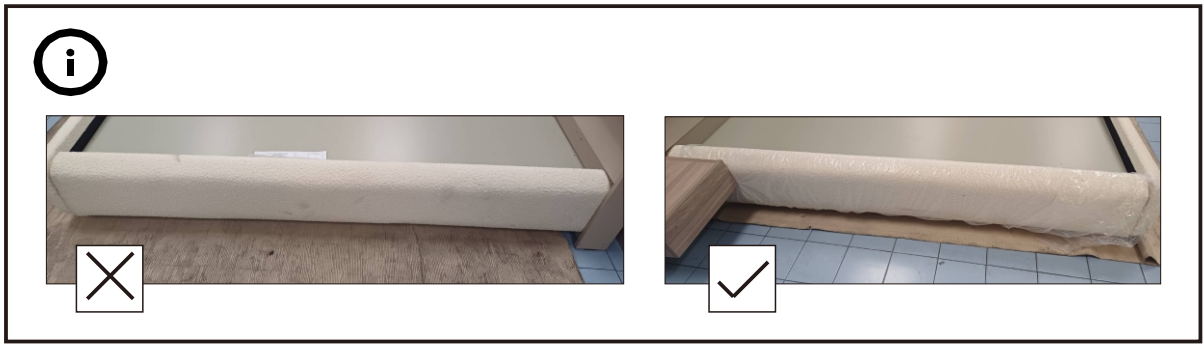
# 4.



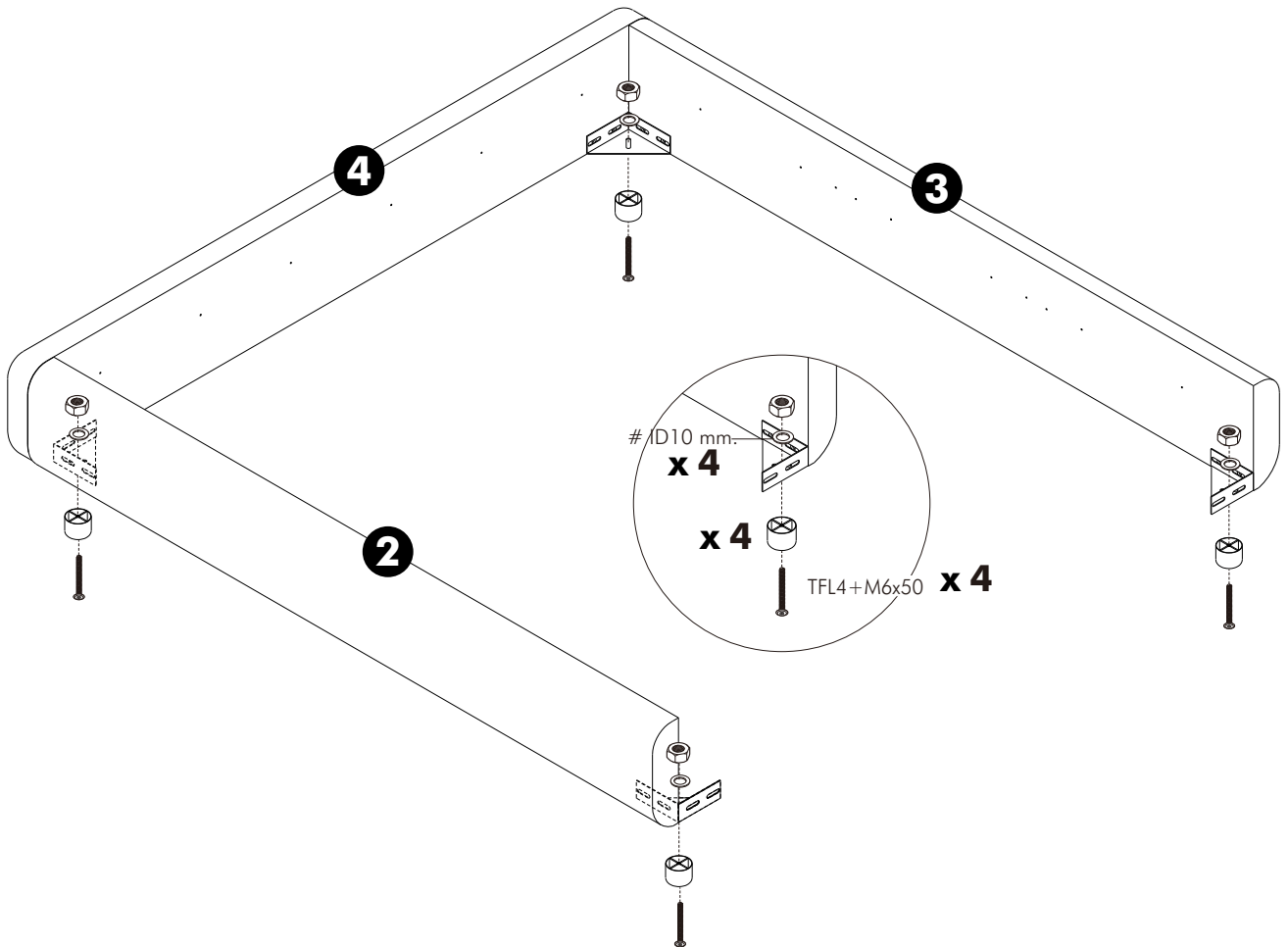
# 5.

## ASSEMBLY

-BODY SET

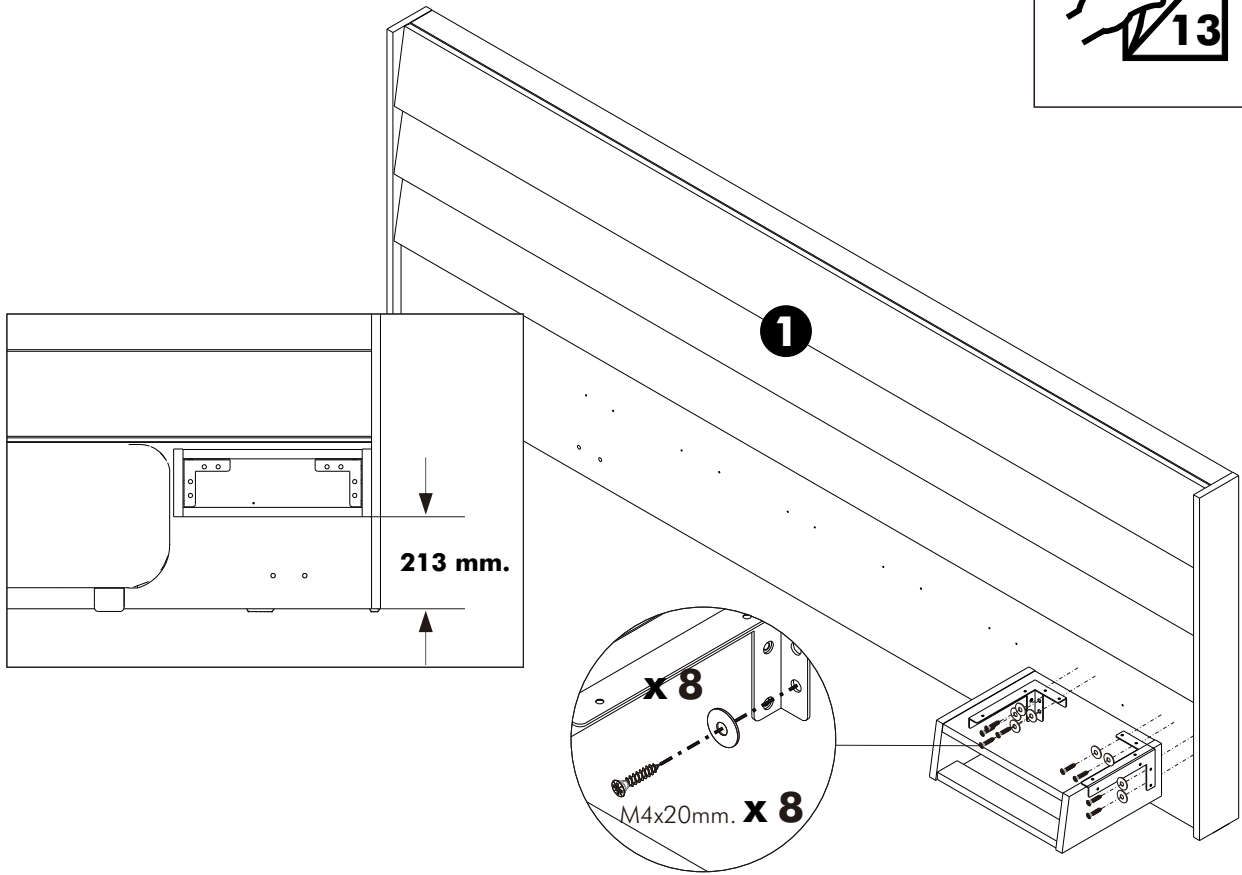
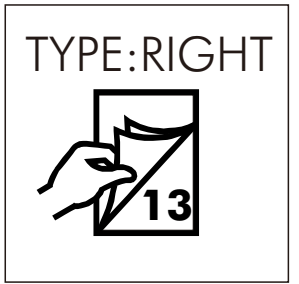


# 6.



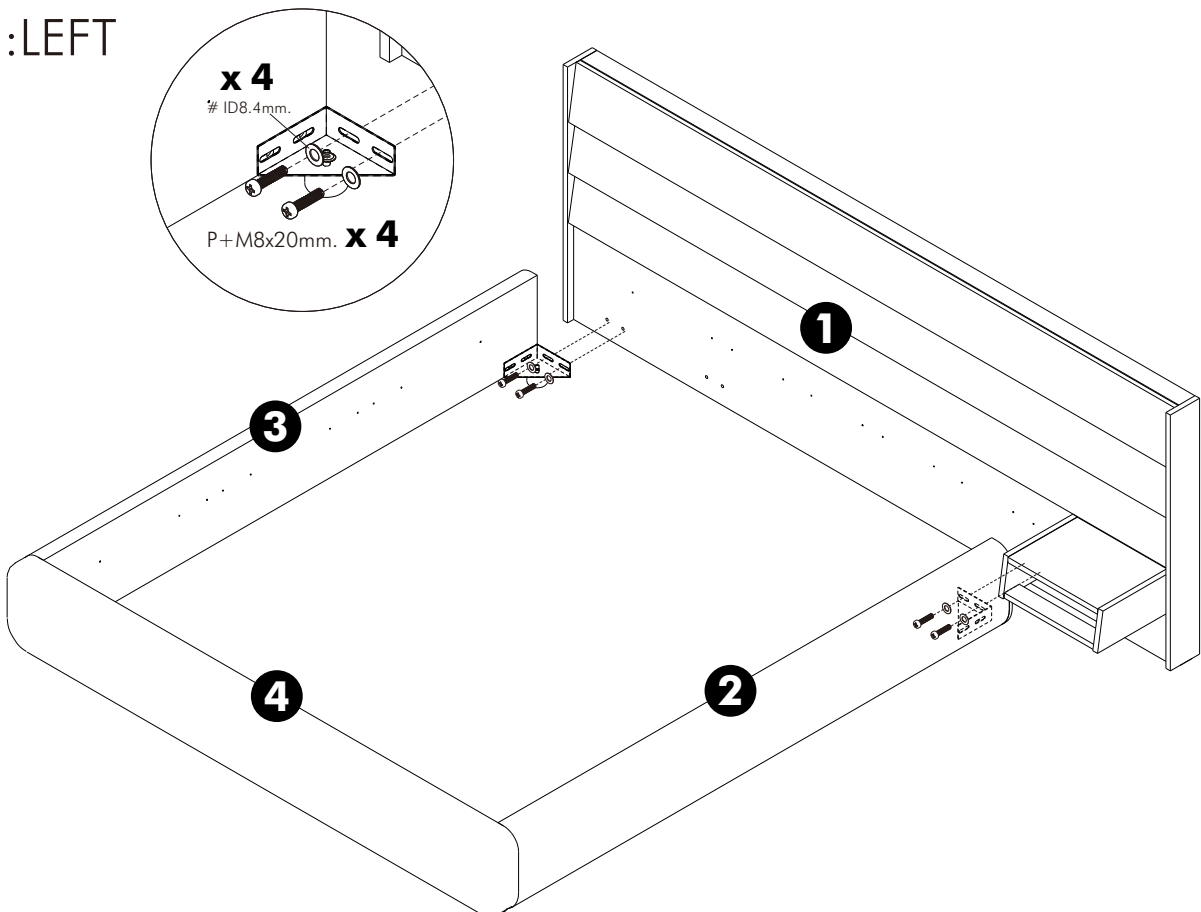
# 7.

TYPE:LEFT



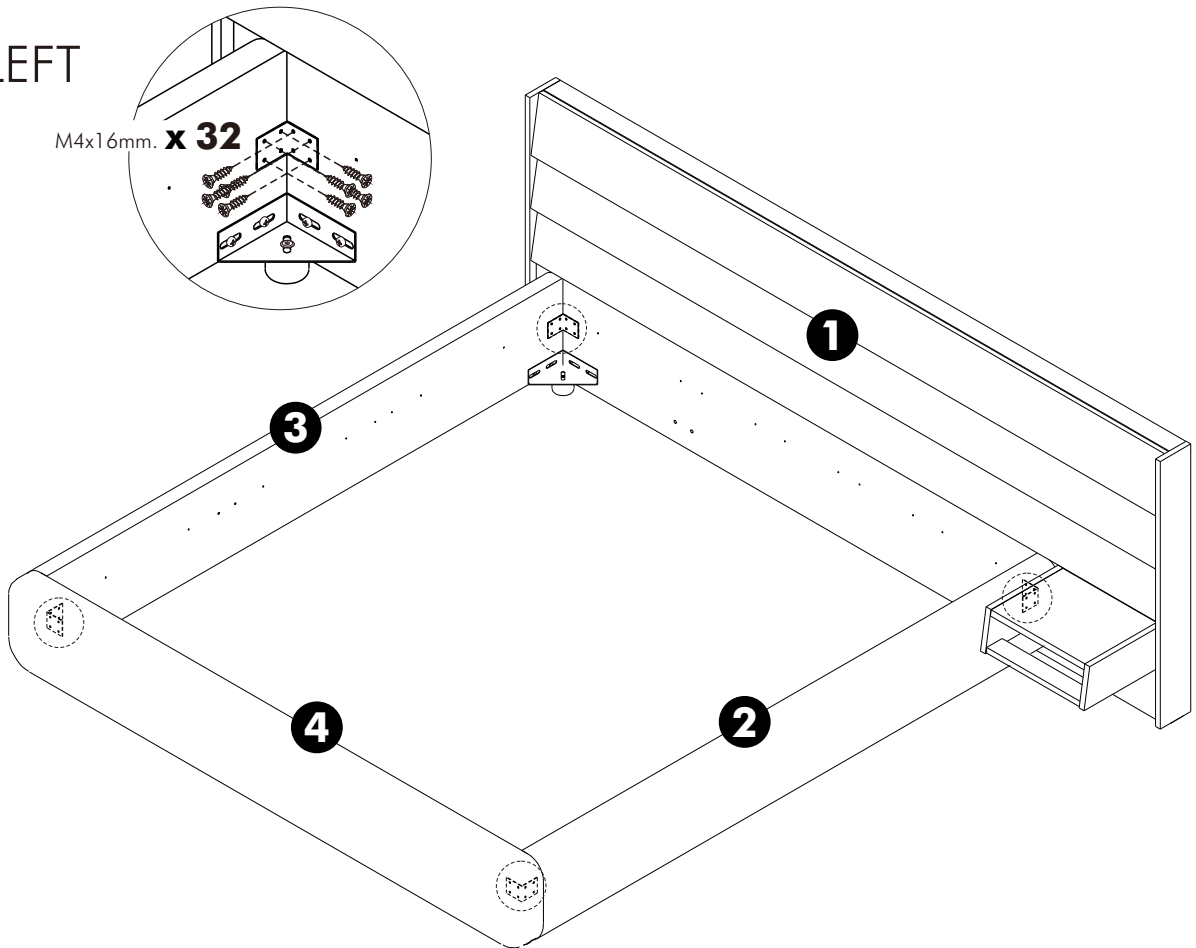
# 8.

TYPE:LEFT



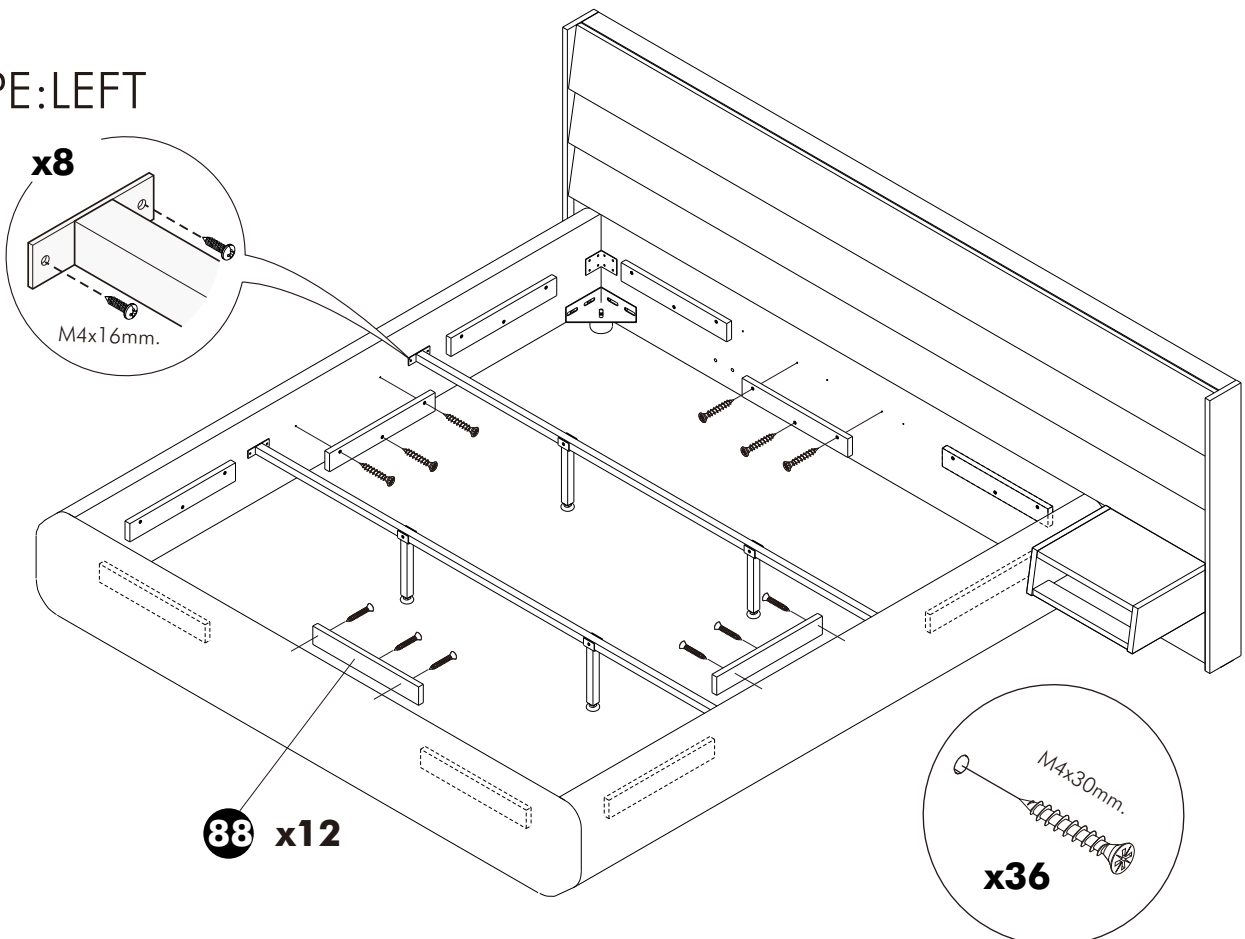
**9.**

TYPE:LEFT



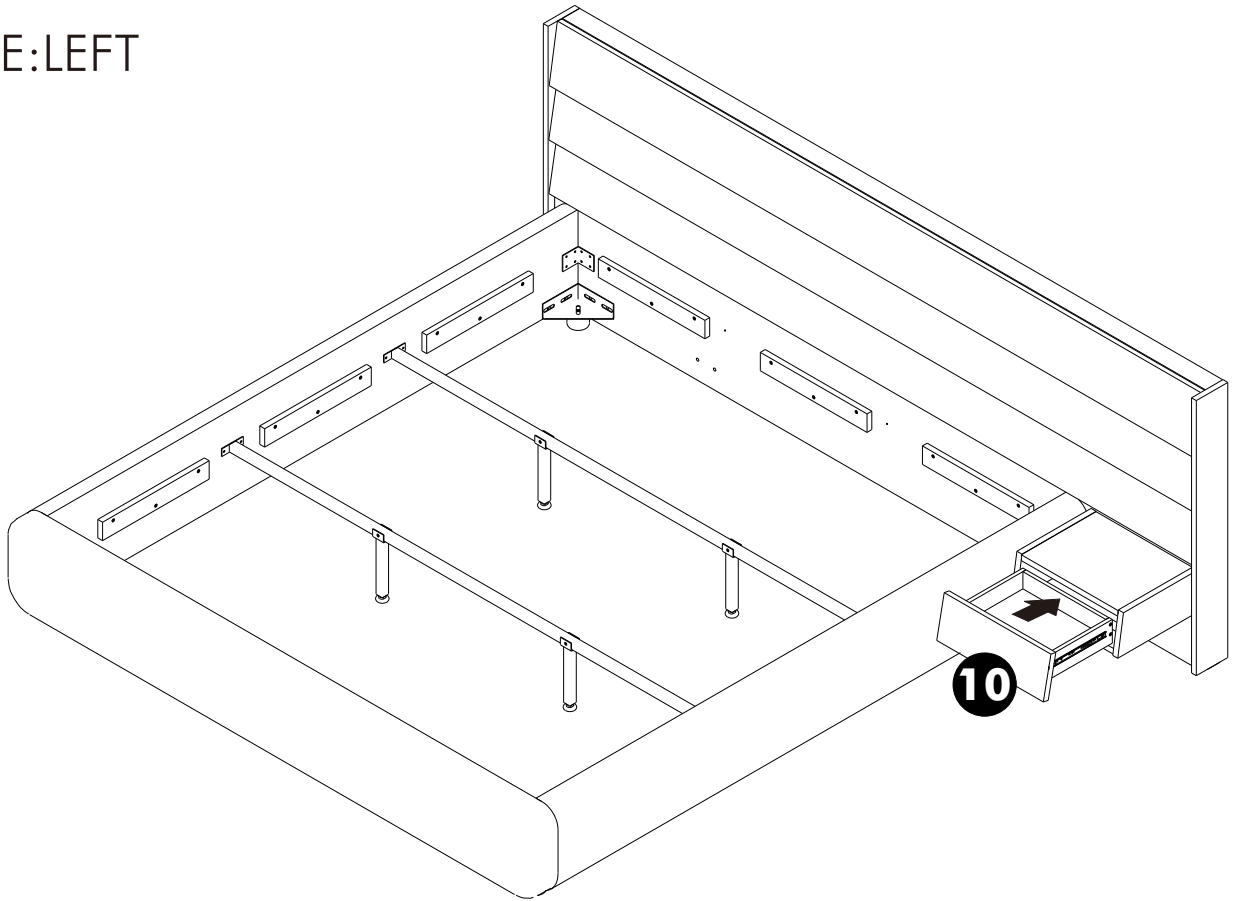
**10.**

TYPE:LEFT



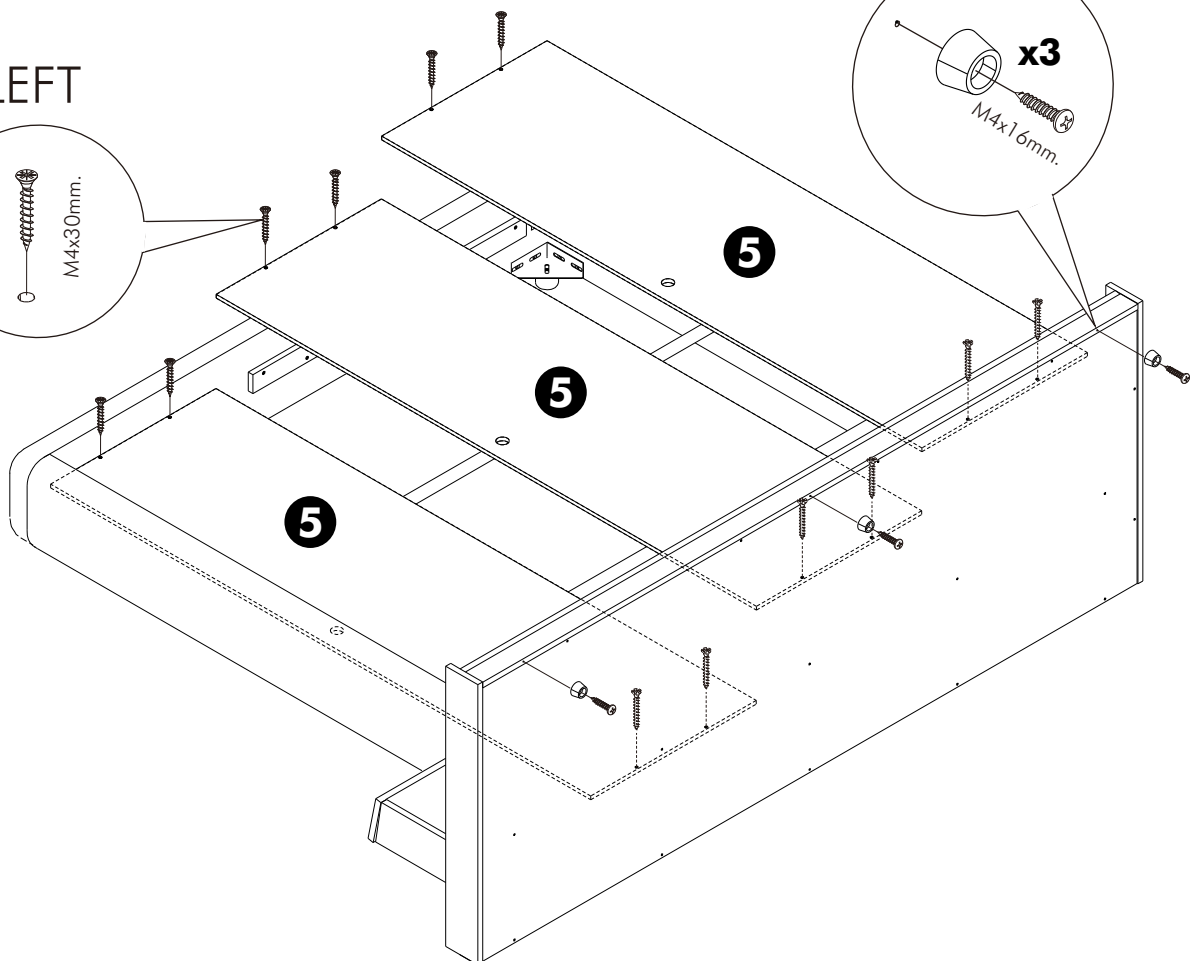
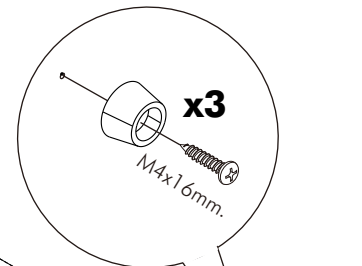
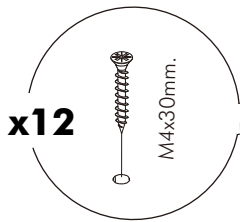
# 11.

TYPE:LEFT



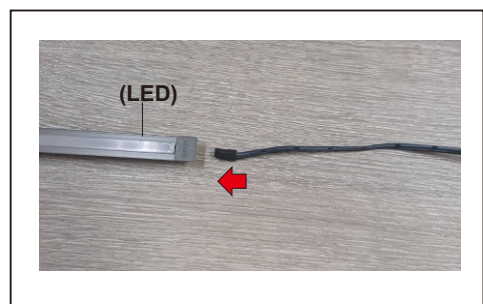
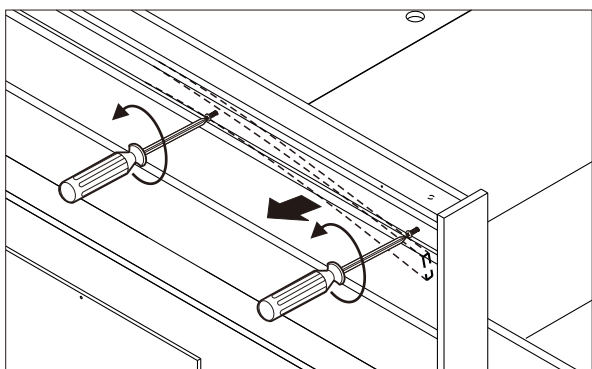
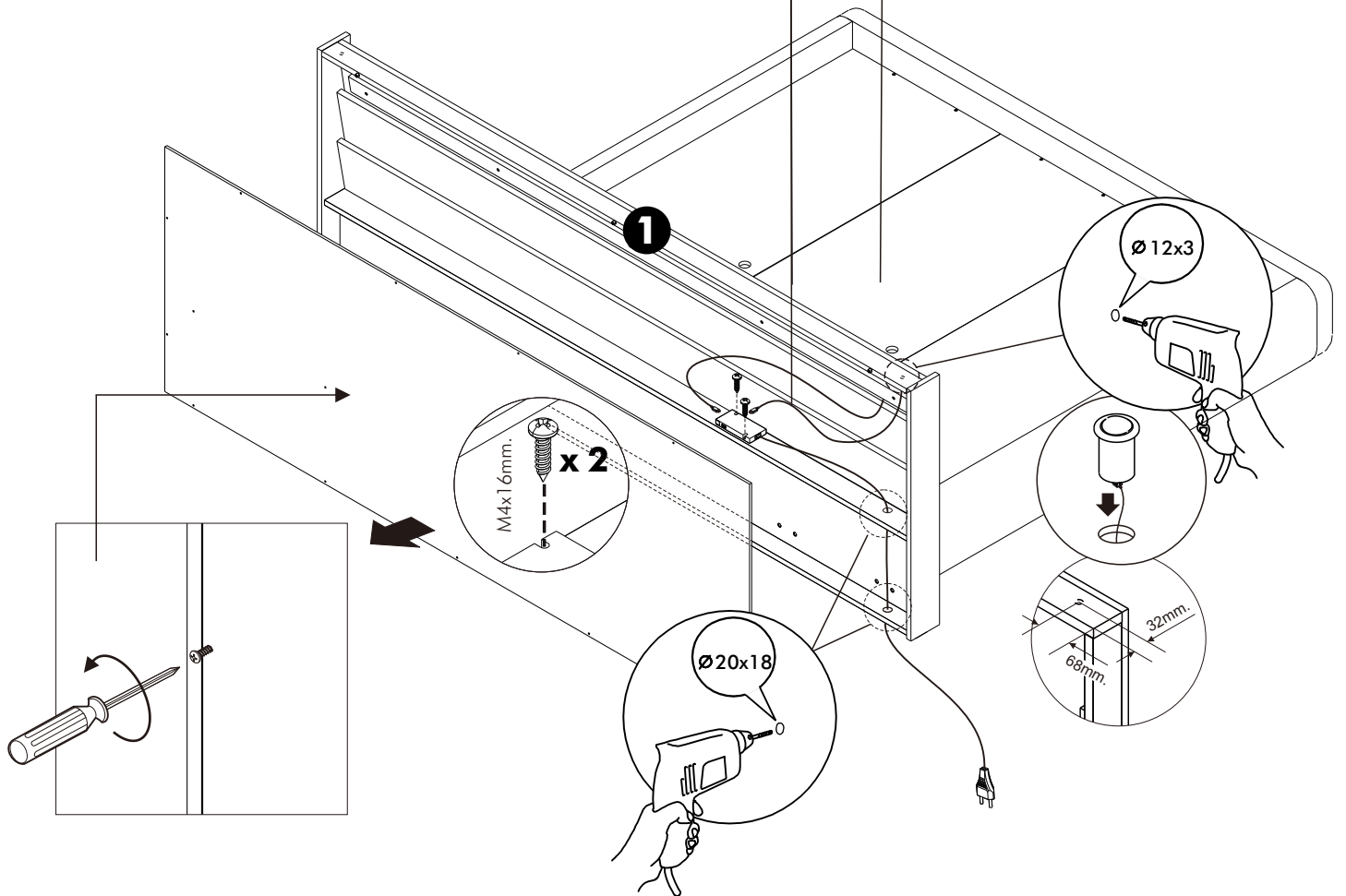
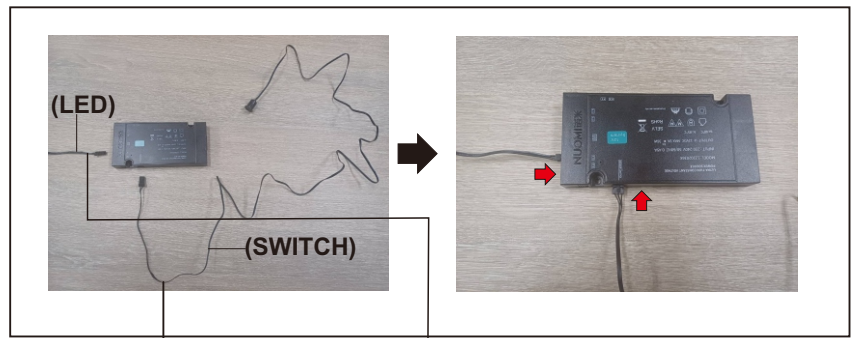
# 12.

TYPE:LEFT



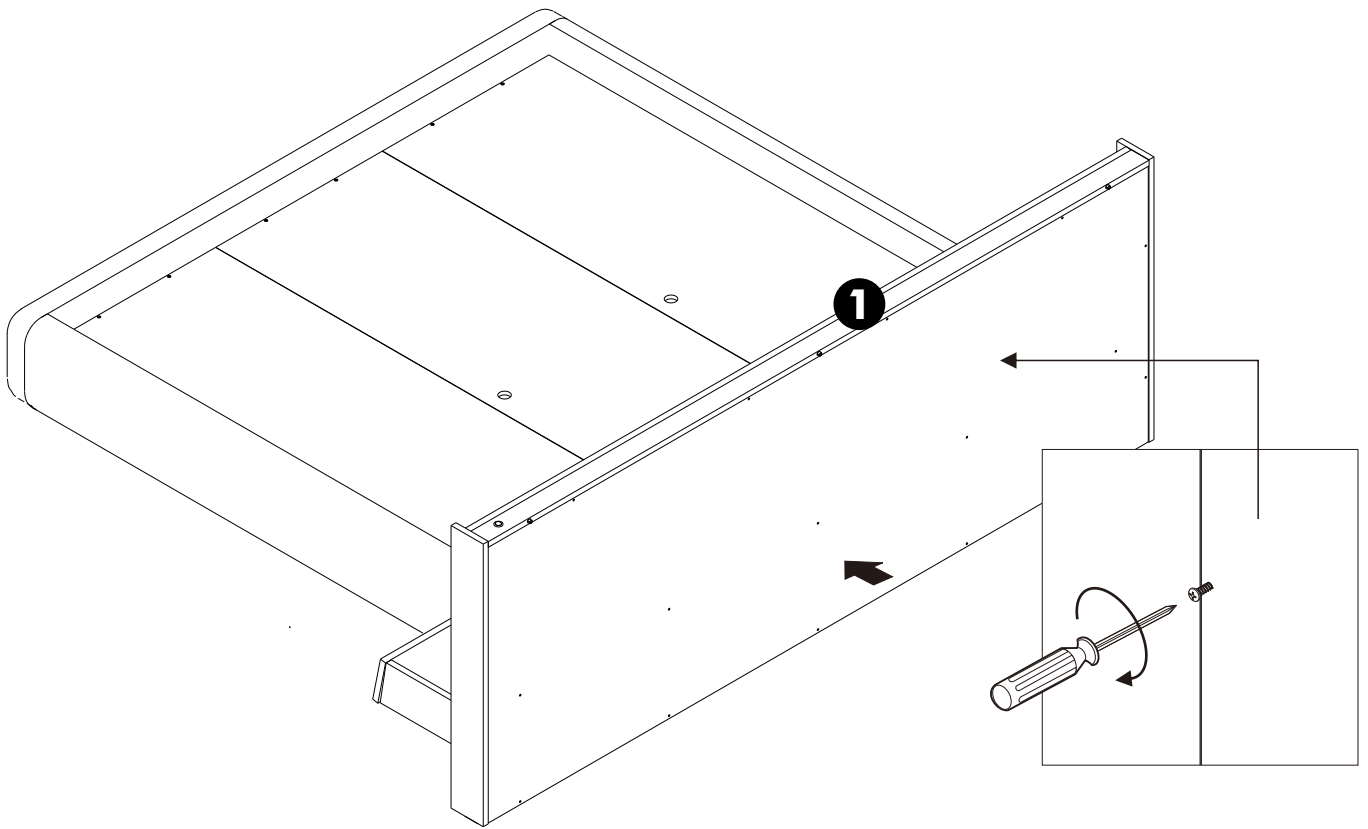
# 13.

TYPE:LEFT



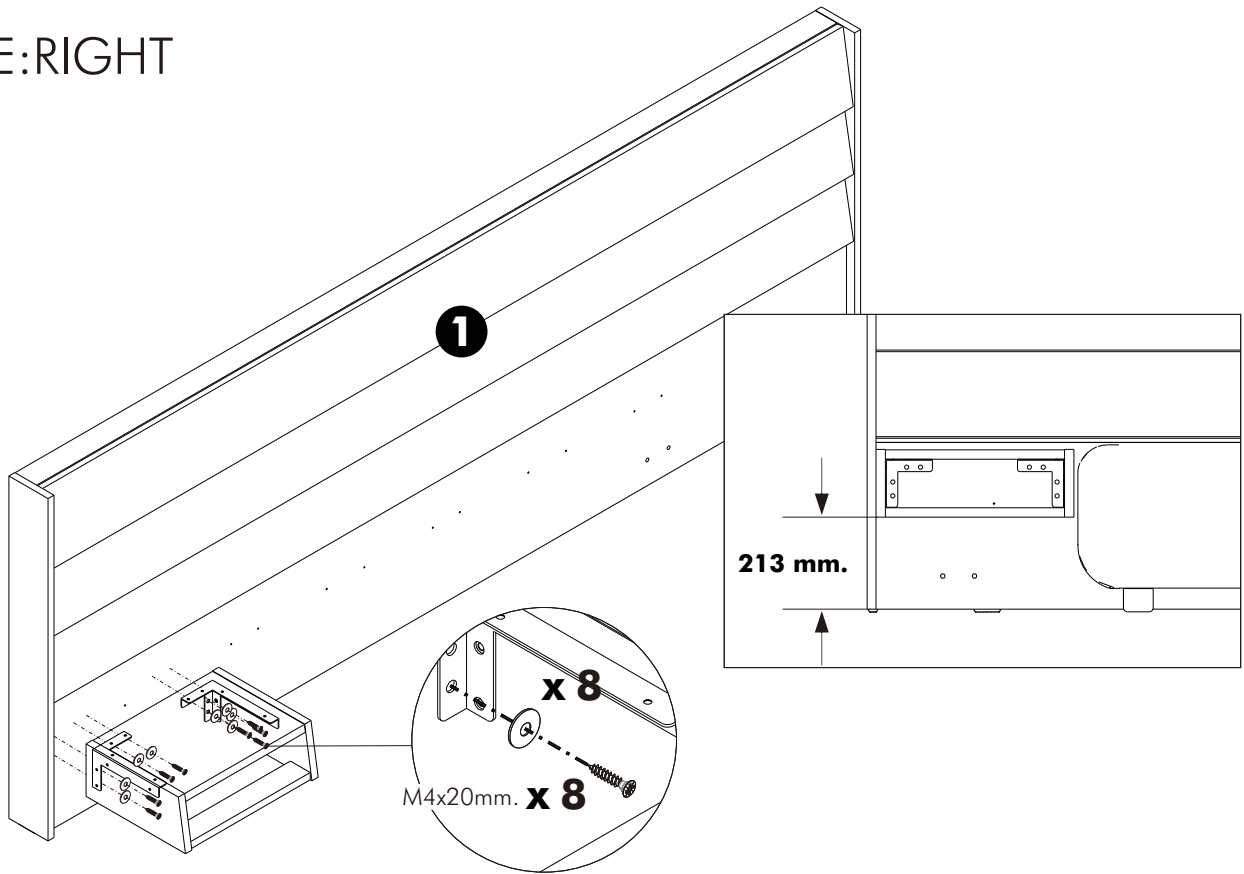
# 14.

TYPE:LEFT



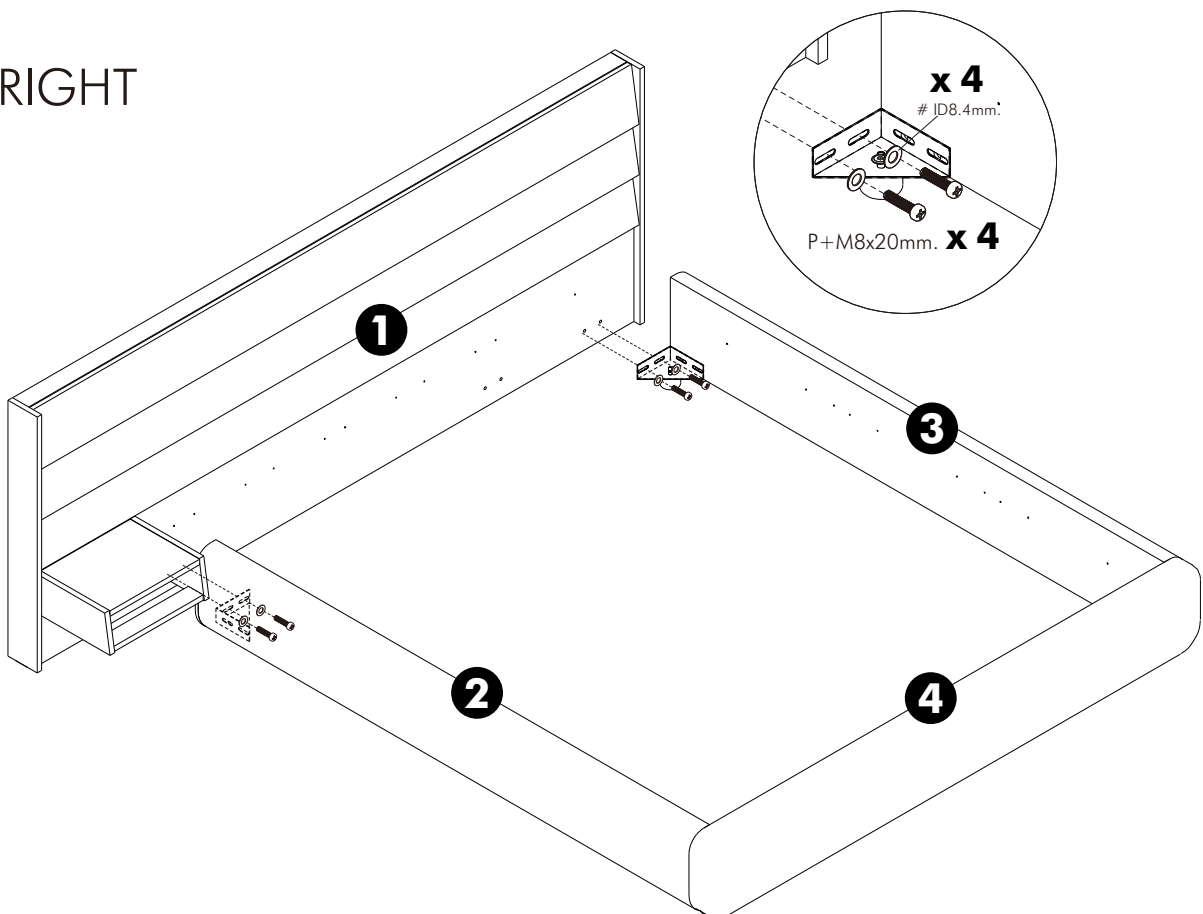
**7.**

TYPE:RIGHT



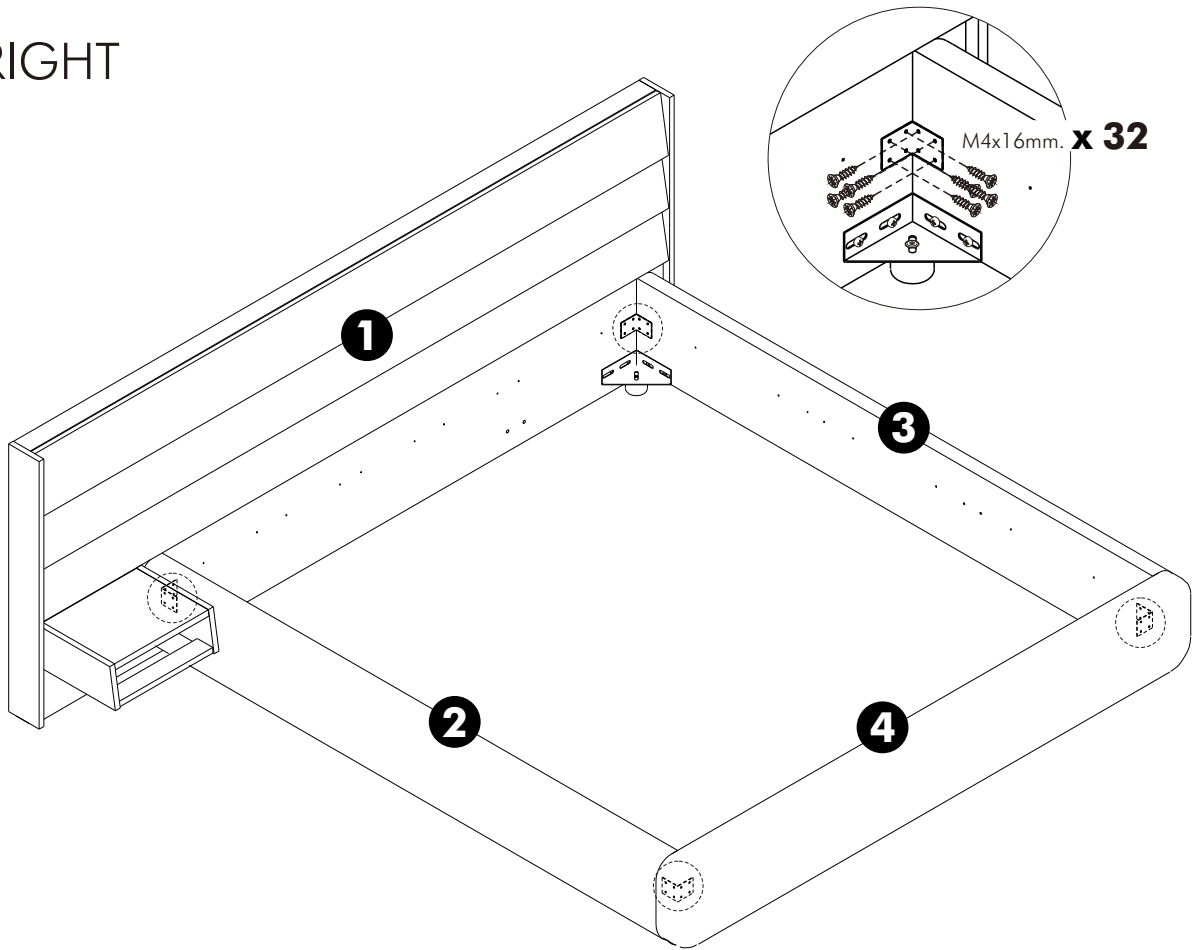
**8.**

TYPE:RIGHT



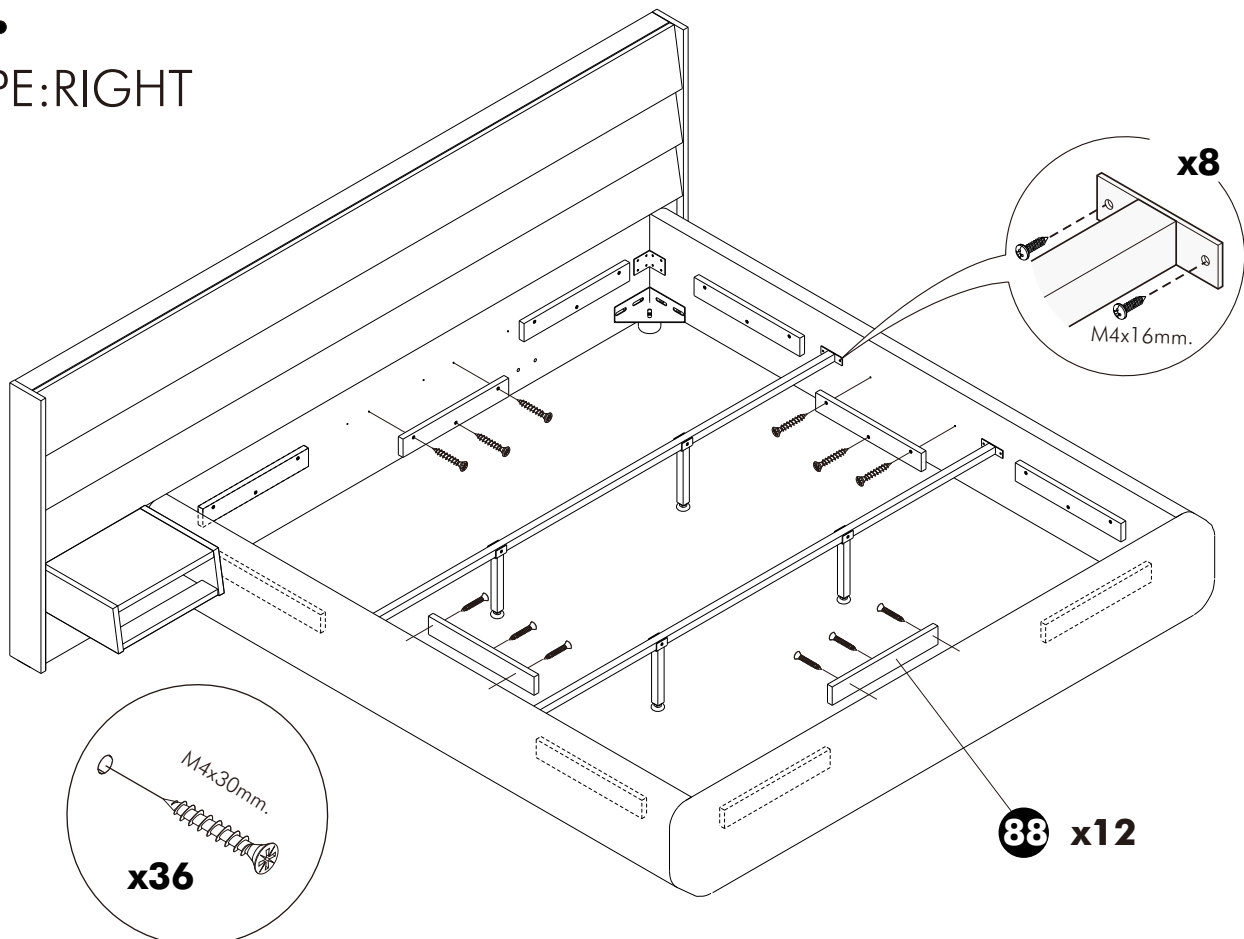
**9.**

TYPE:RIGHT



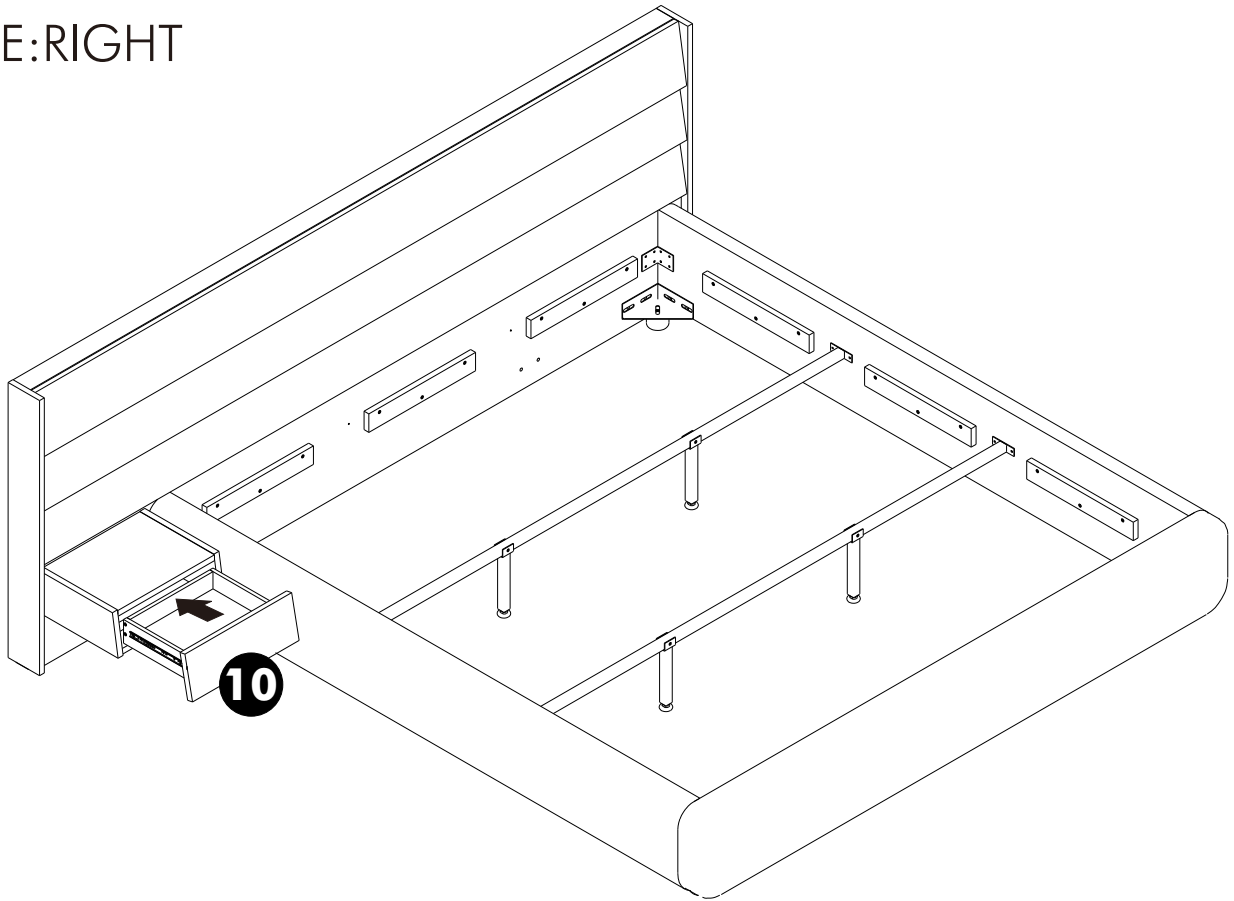
**10.**

TYPE:RIGHT



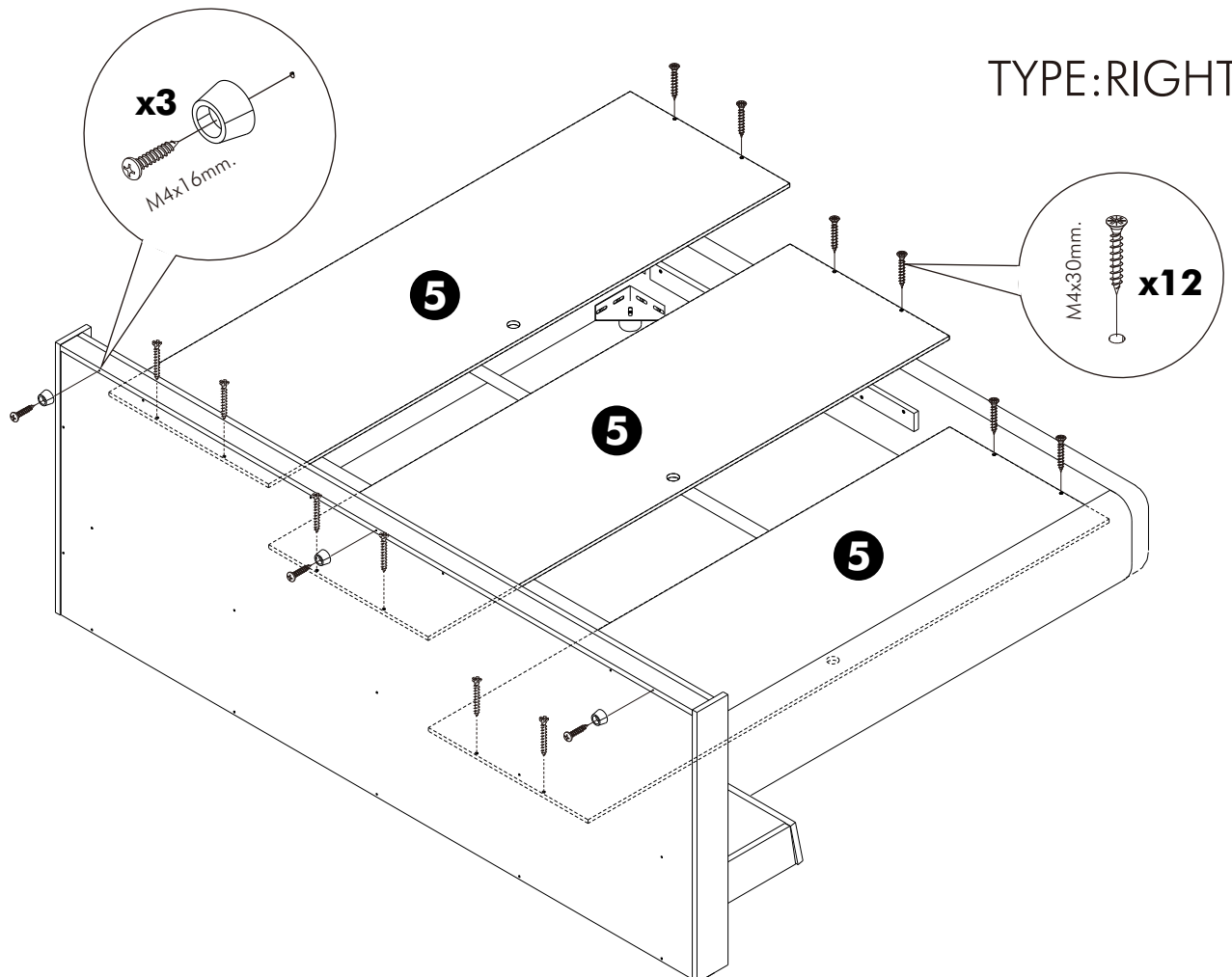
# 11.

TYPE:RIGHT



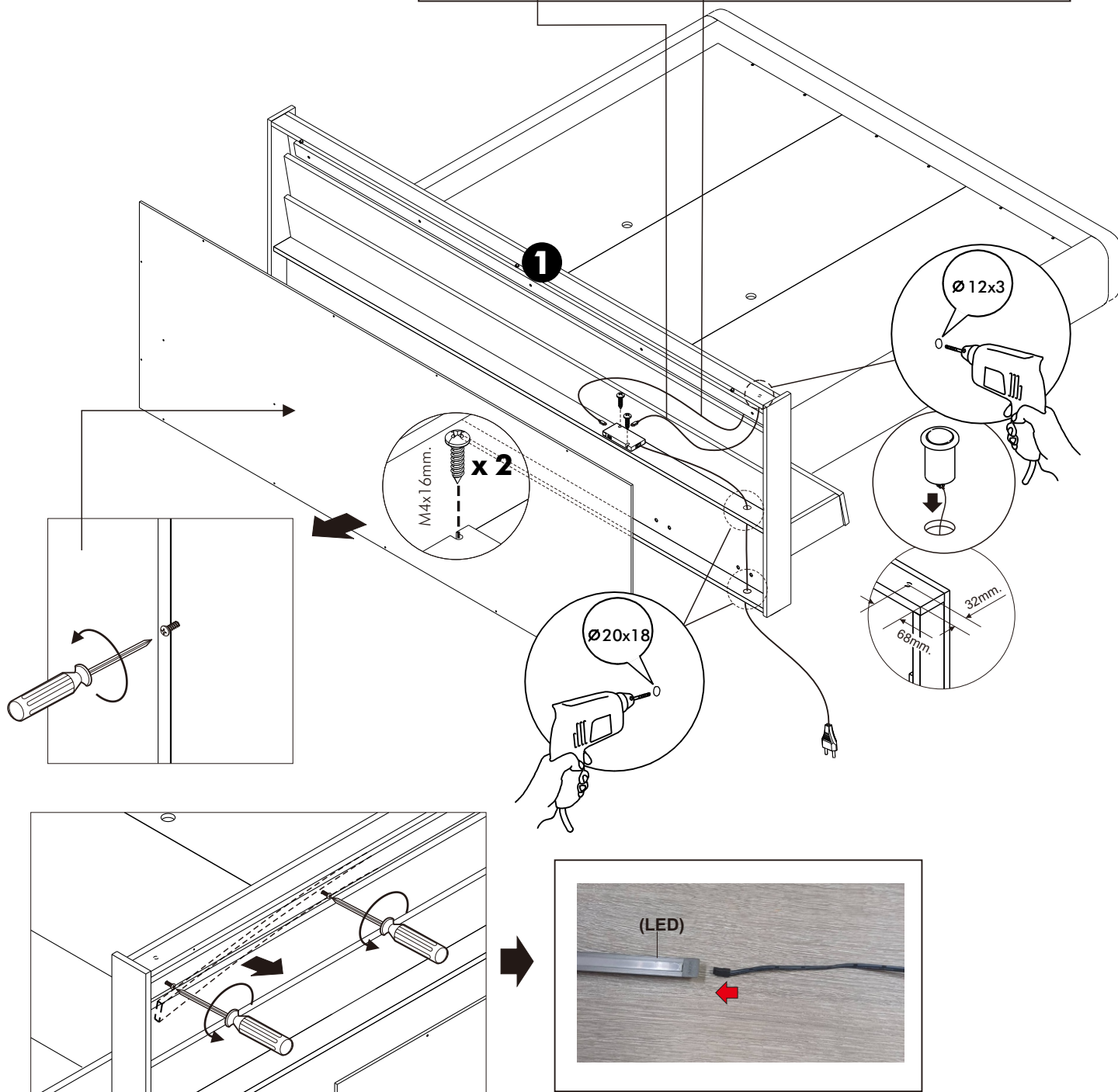
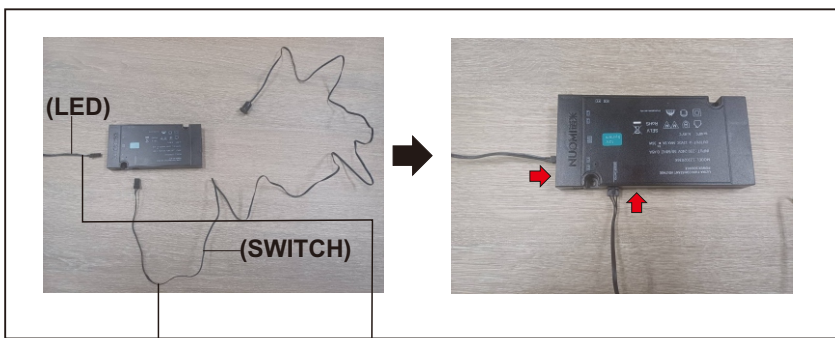
# 12.

TYPE:RIGHT



# 13.

TYPE:RIGHT



14.

