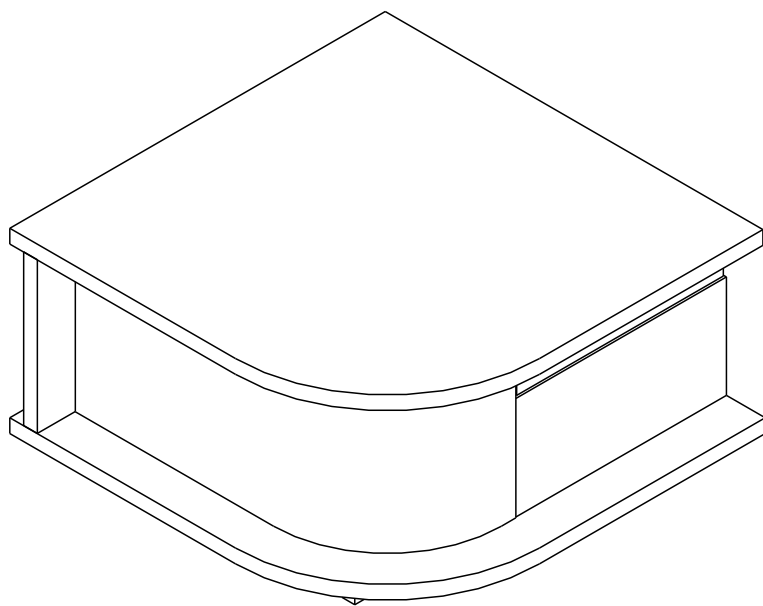
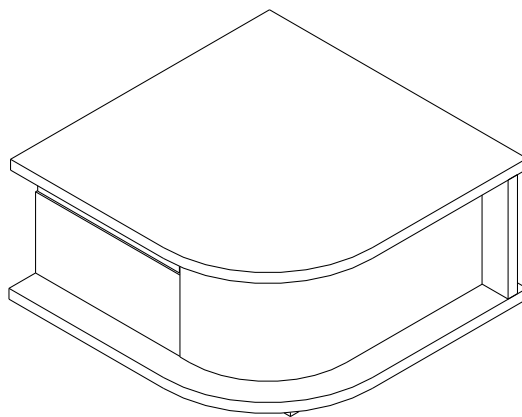


BASIA

Night Table

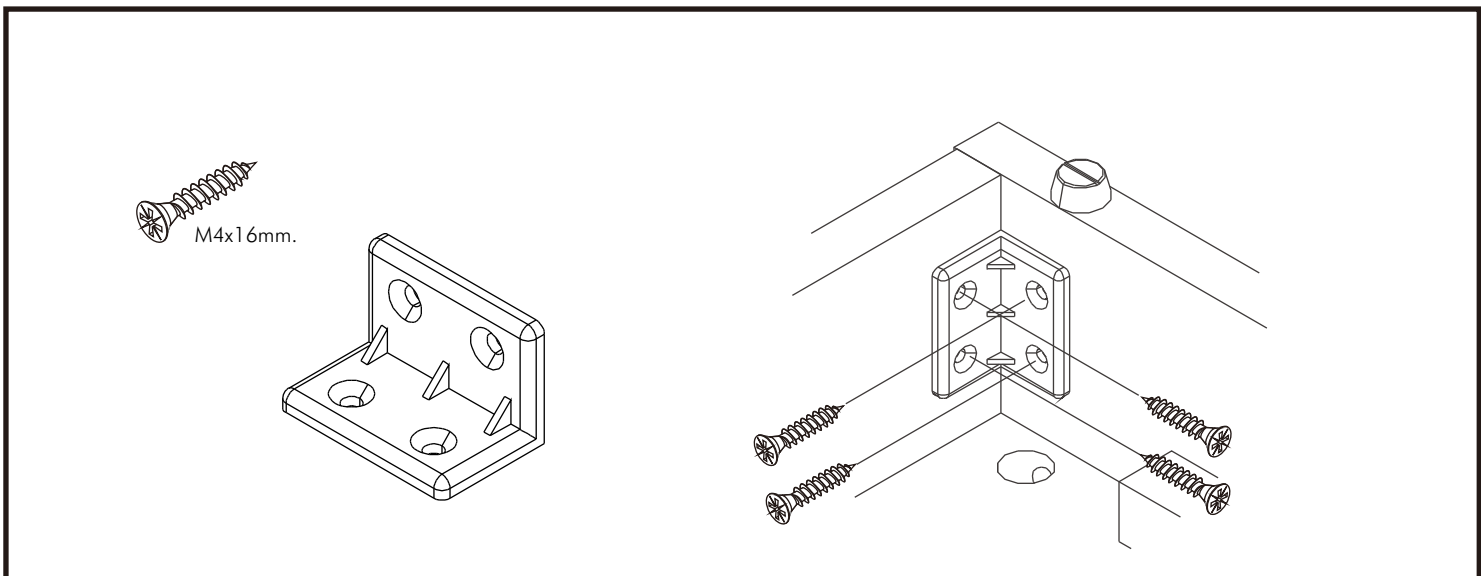
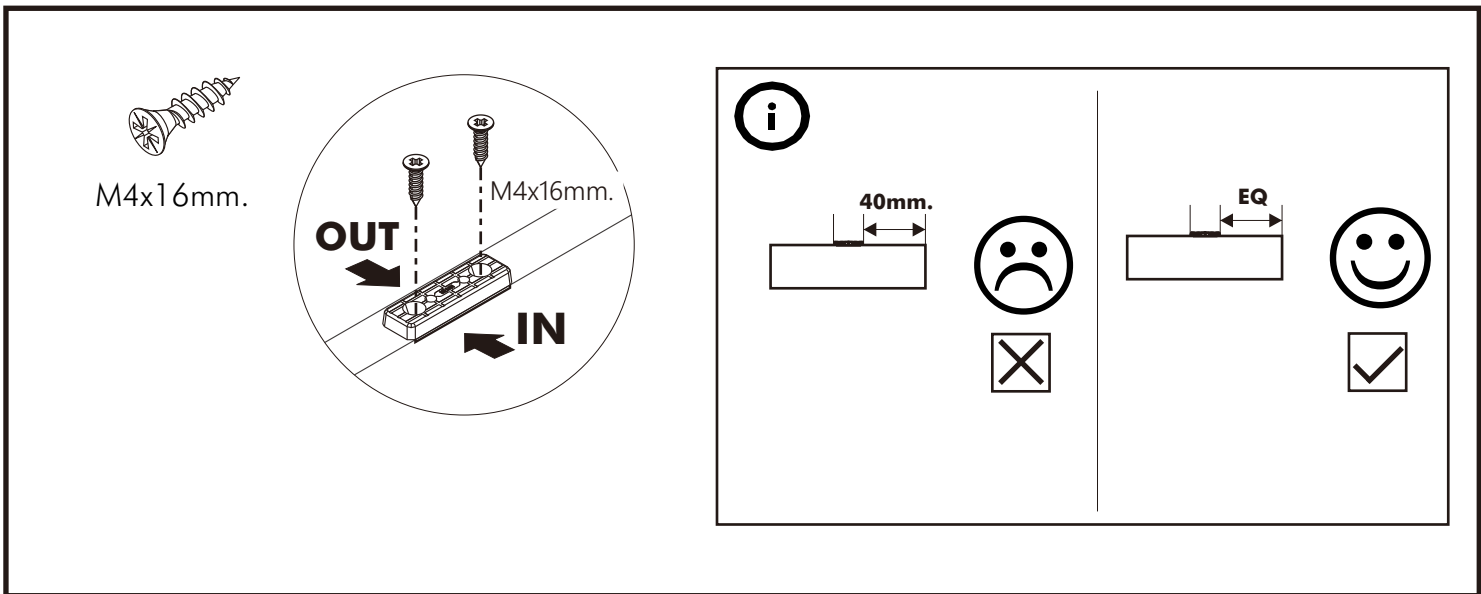
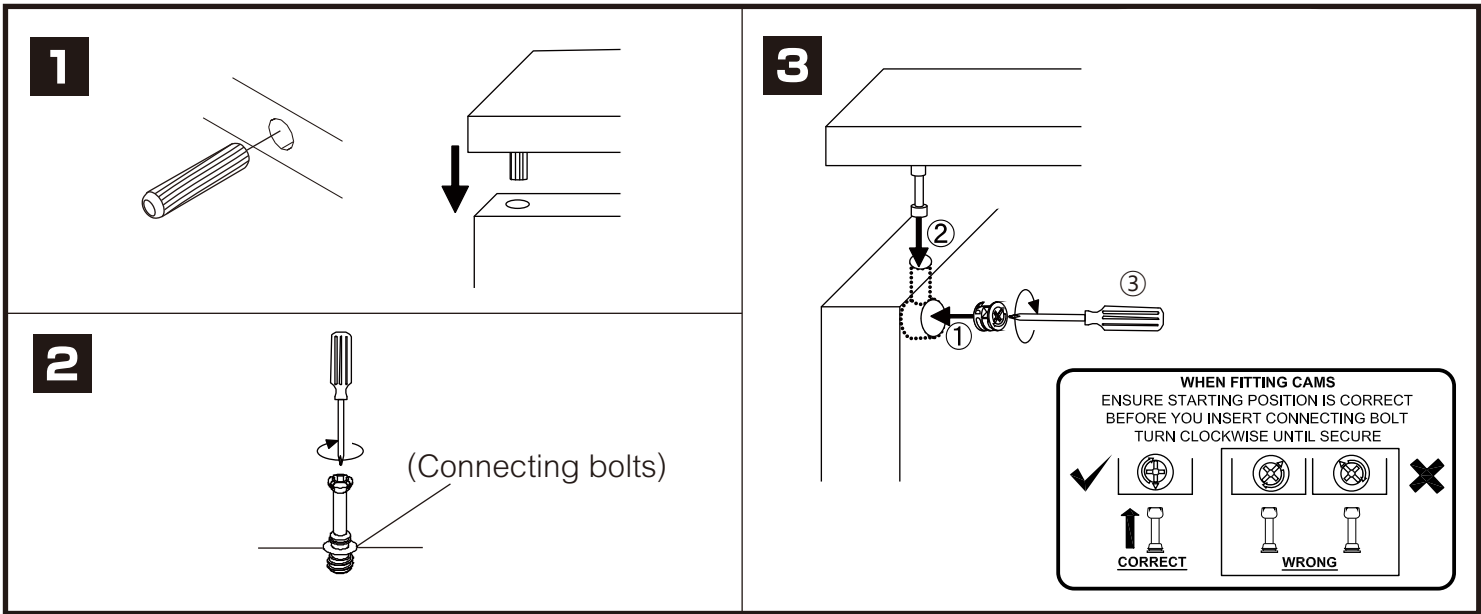


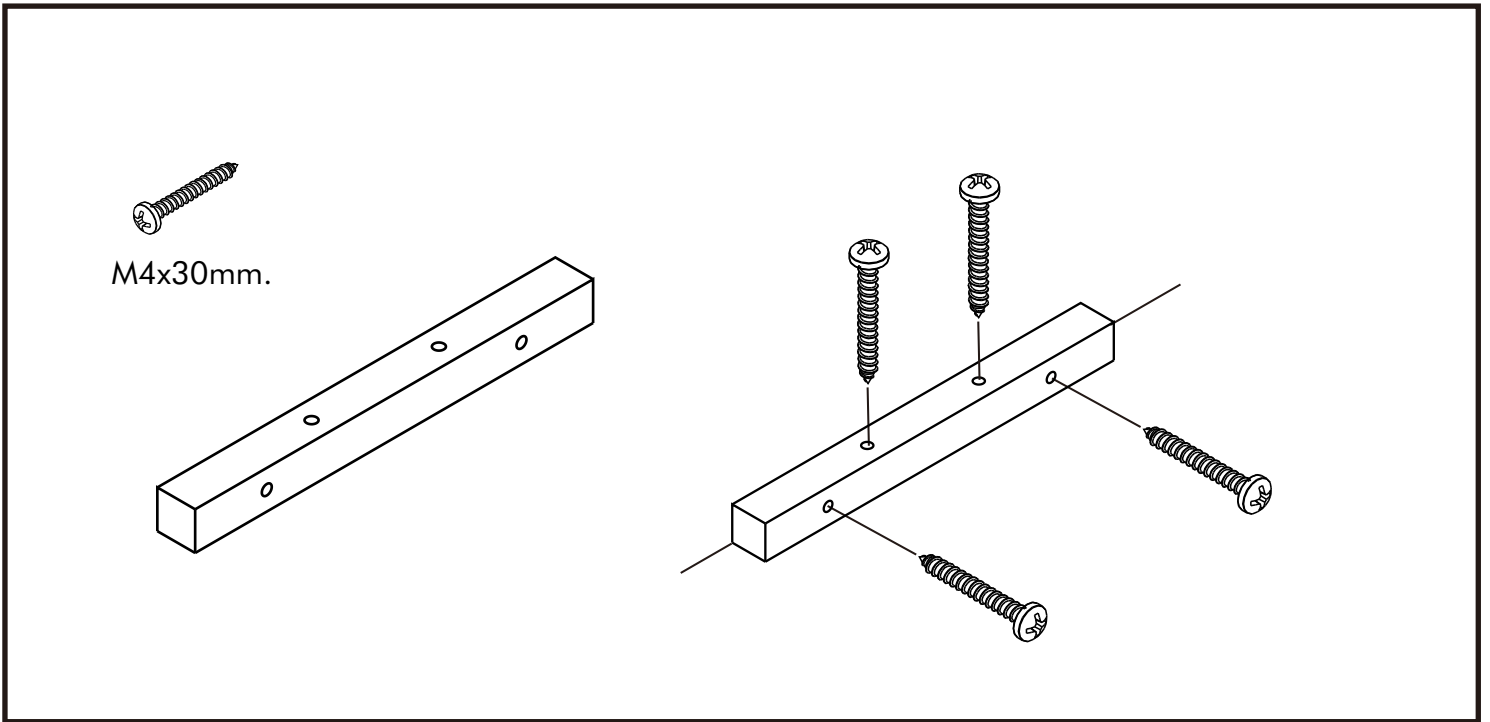
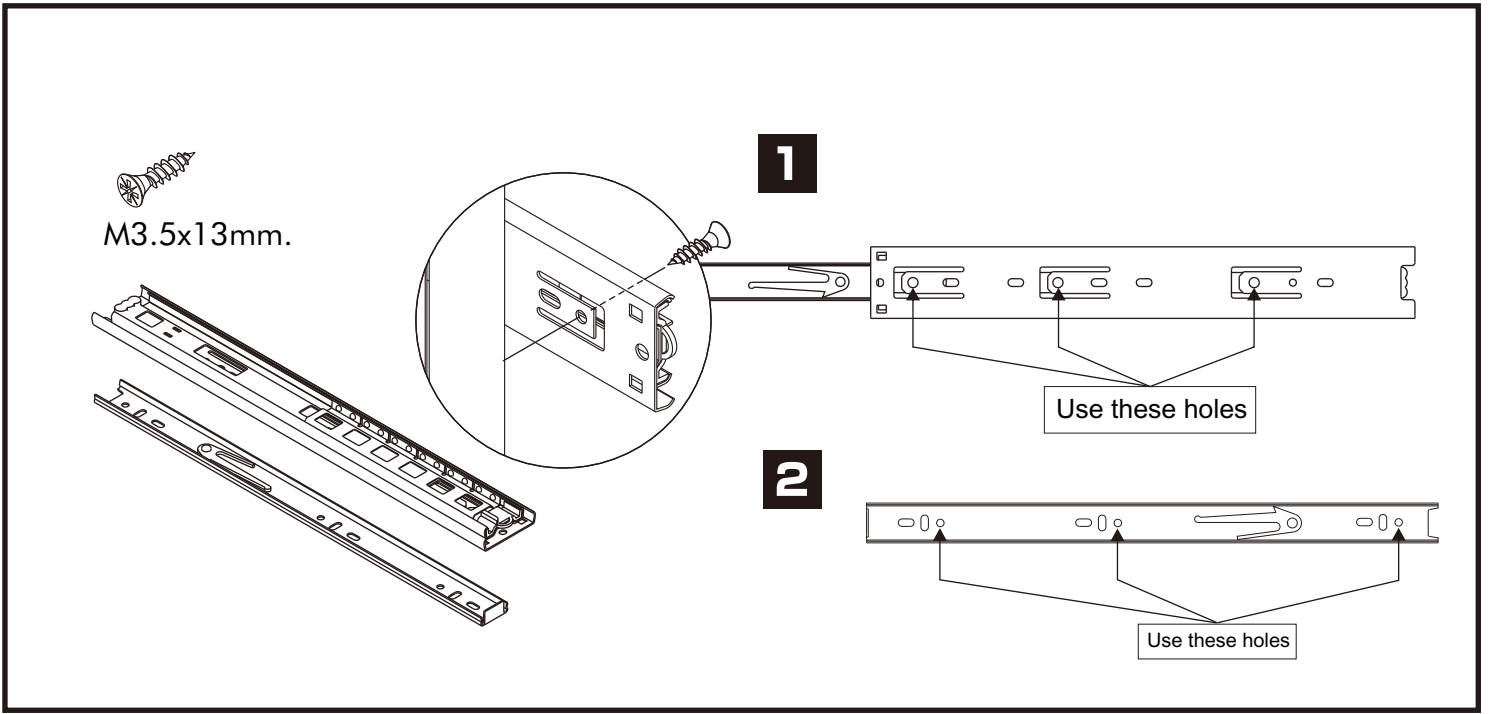
(For Left)

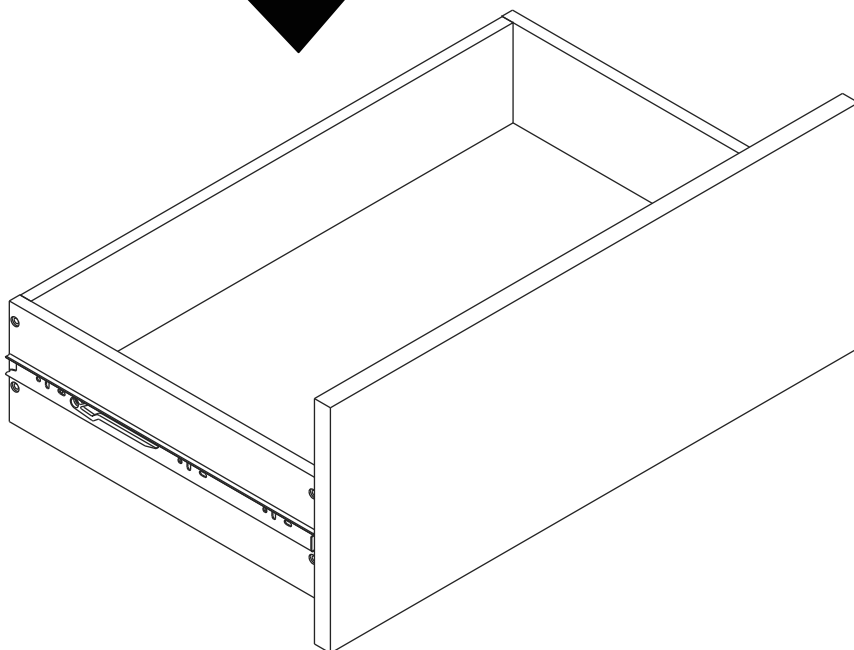
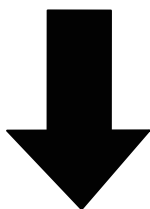
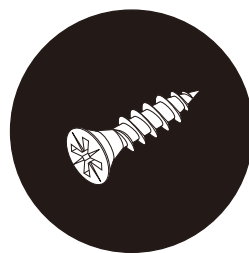
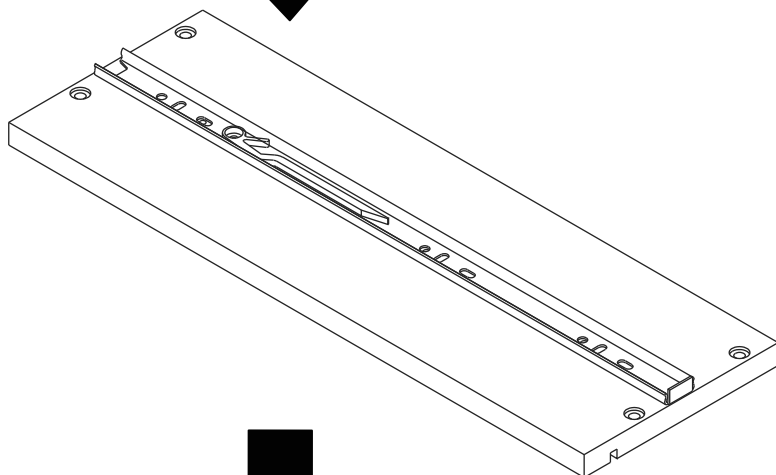
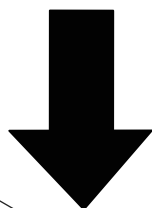
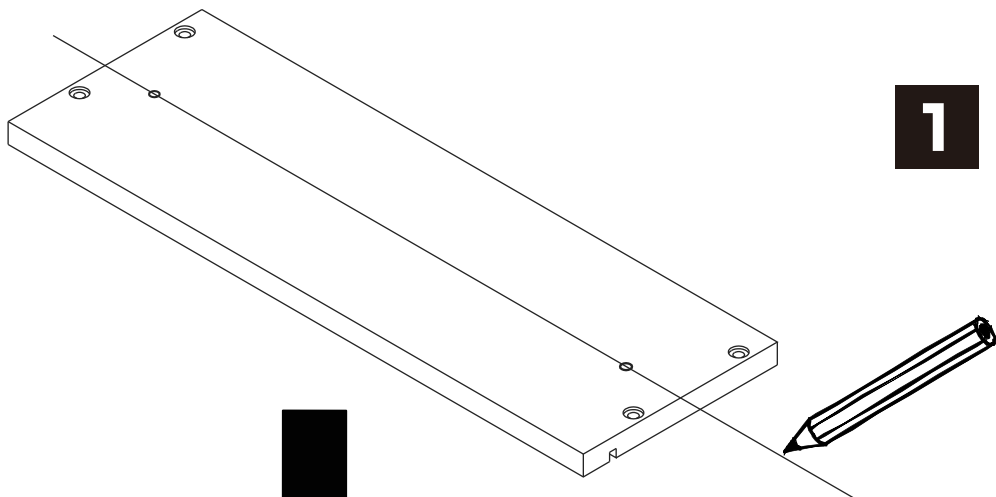


(For Right)

CONNECT SYSTEM

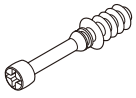






HARDWARE

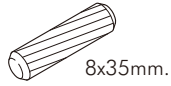
-BODY SET



x 4

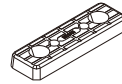


x 4

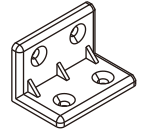


8x35mm.

x 16



x 8



x 10



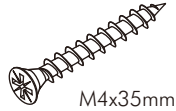
11mm.

x 12



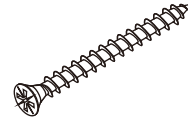
M4x16mm.

x 64



M4x35mm.

x 12



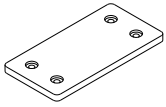
M4x50mm.

x 19



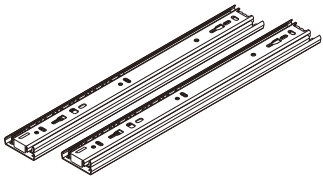
M4x30mm.

x 4



x 1

-DRAWER SET



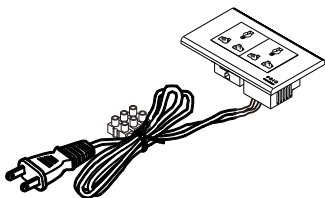
x 1



M3.5x13mm.

x 12

-LAMP SET

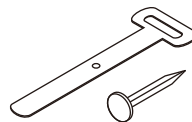


x 1



5x3/4" mm.

x 1



x 5/5

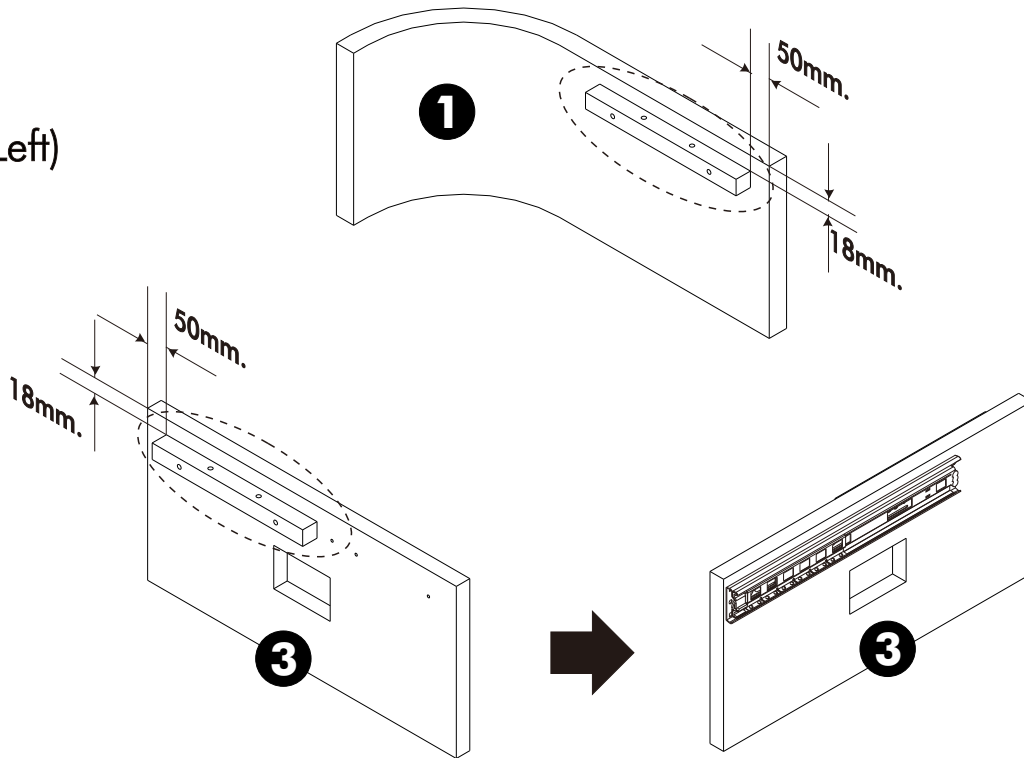
ASSEMBLY

-BODY SET

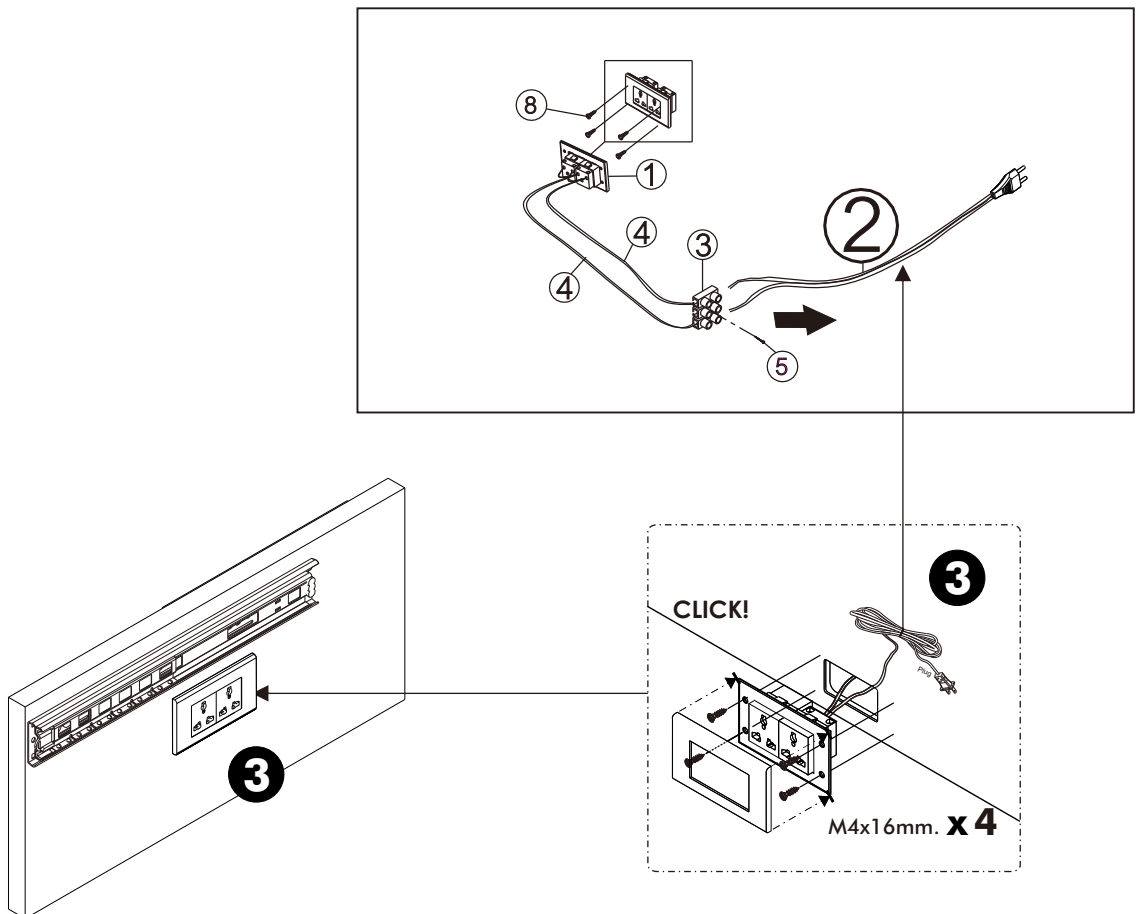


(For Right)

1. (For Left)

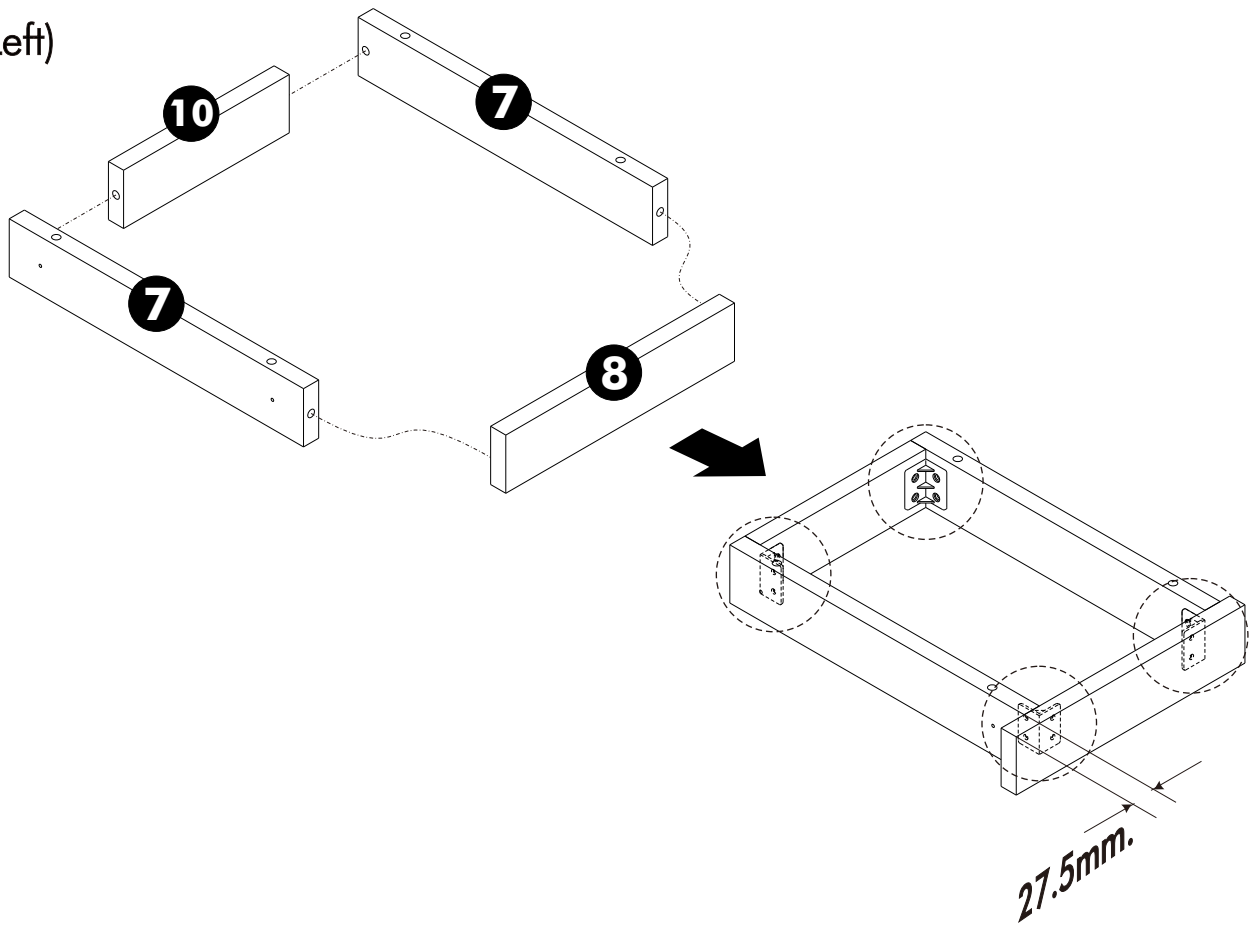


2. (For Left)



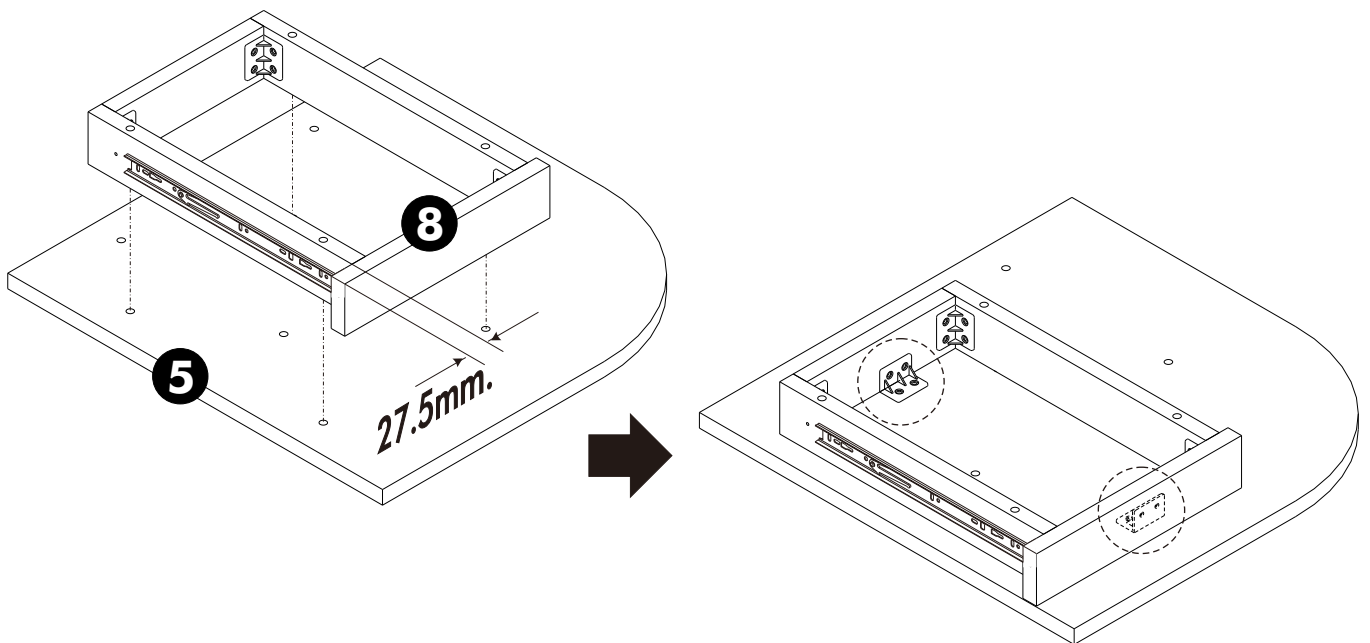
3.

(For Left)



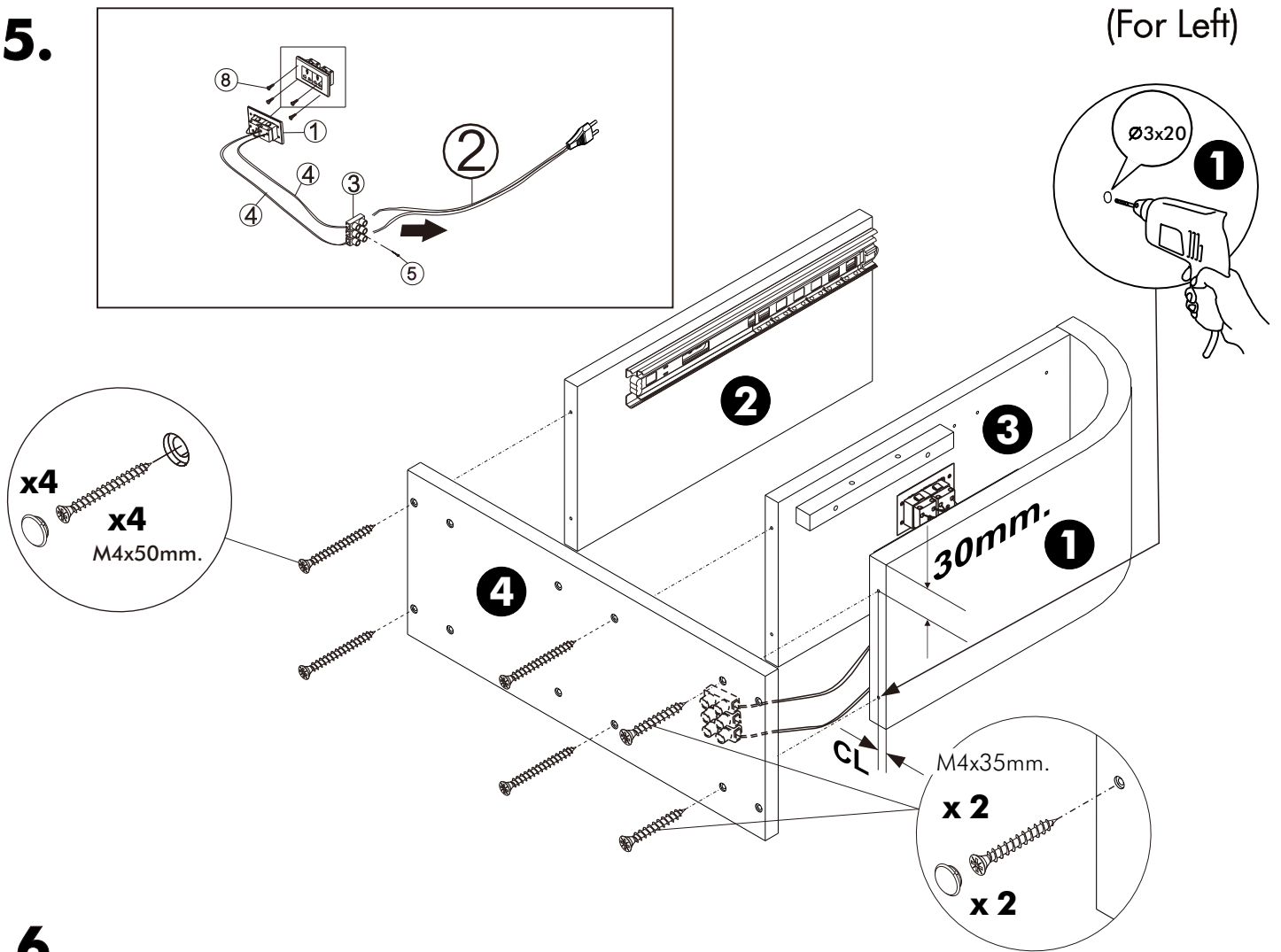
4.

(For Left)



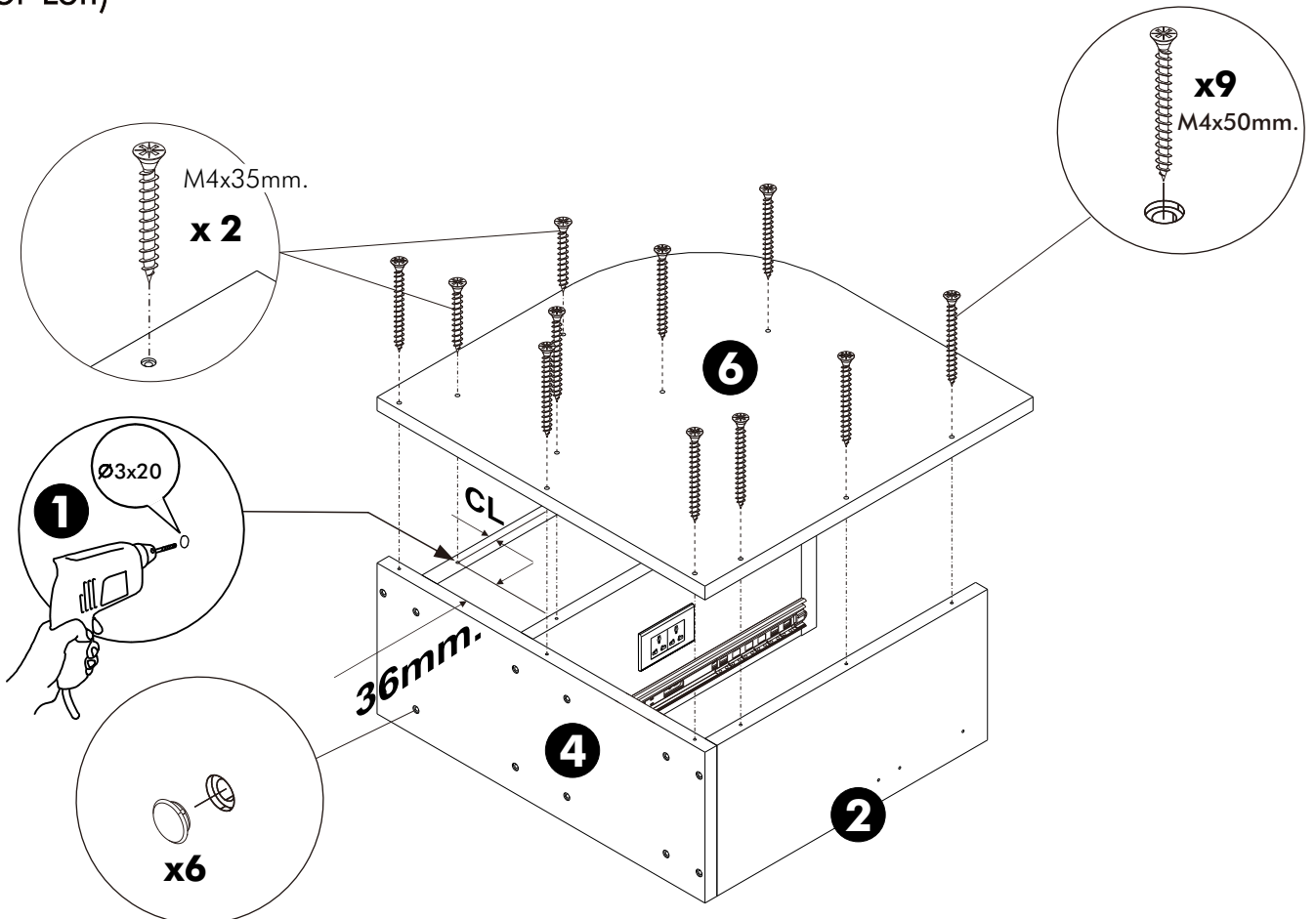
5.

(For Left)



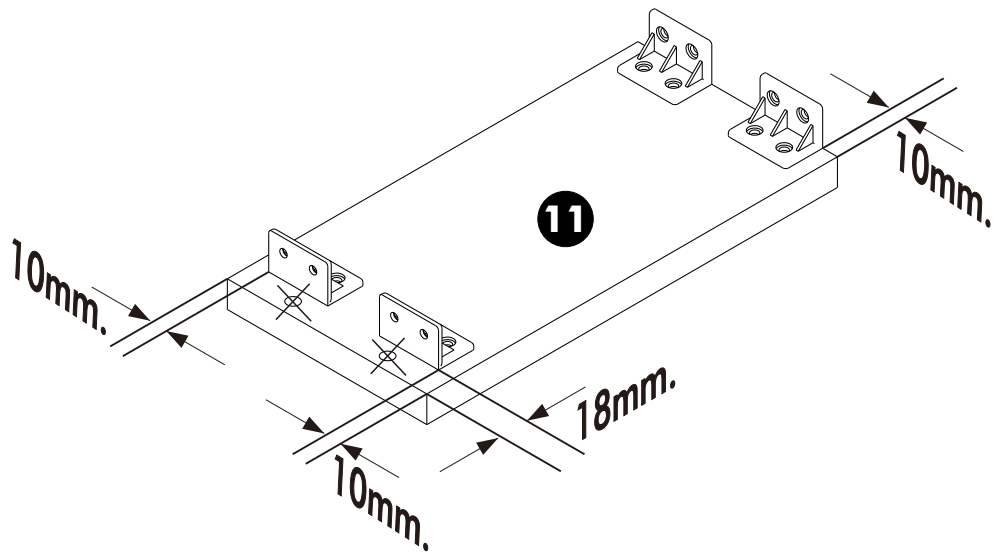
6.

(For Left)



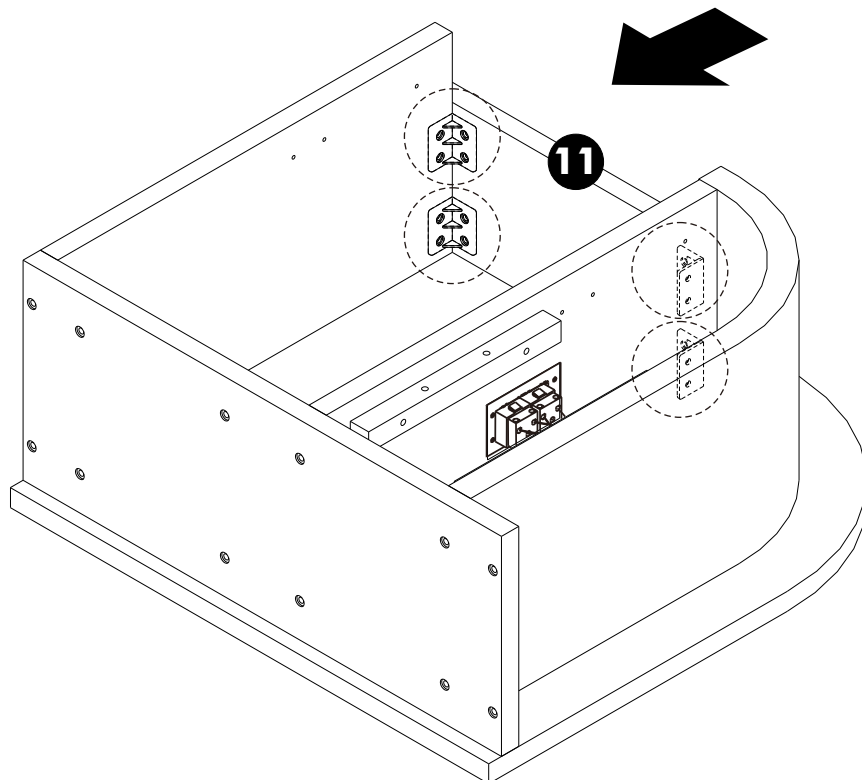
7.

(For Left)



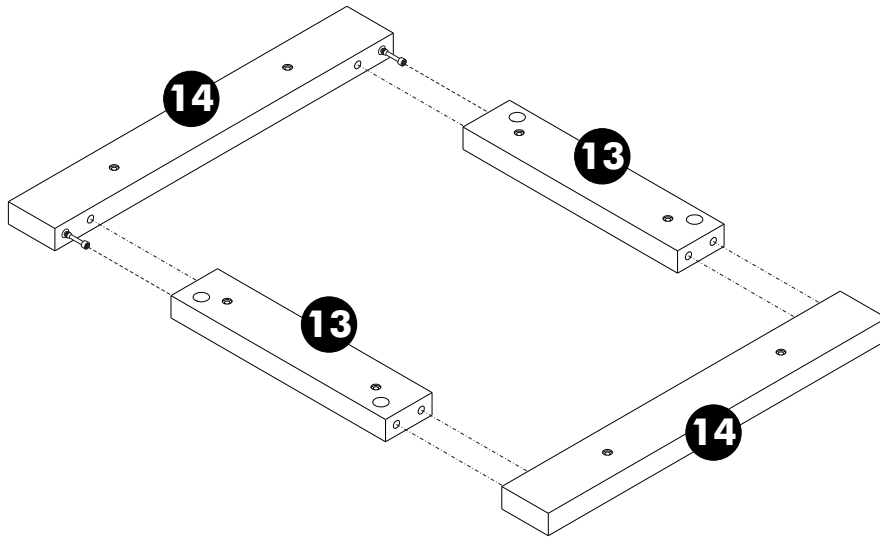
8.

(For Left)



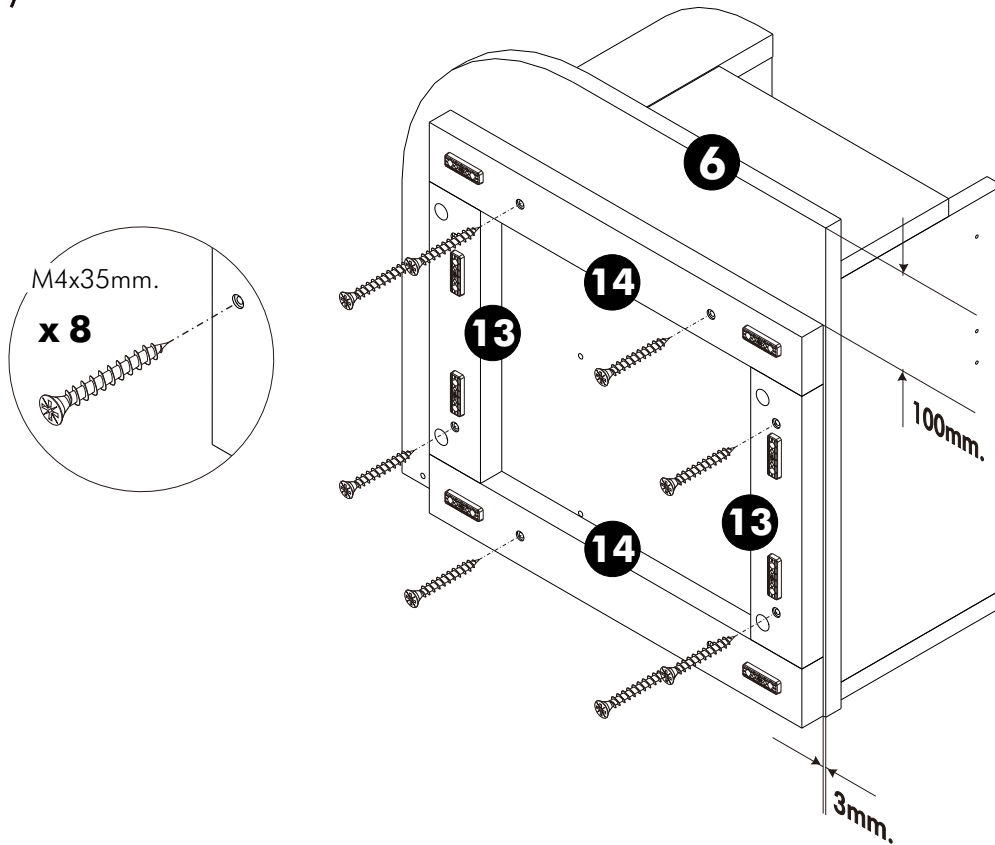
9.

(For Left)



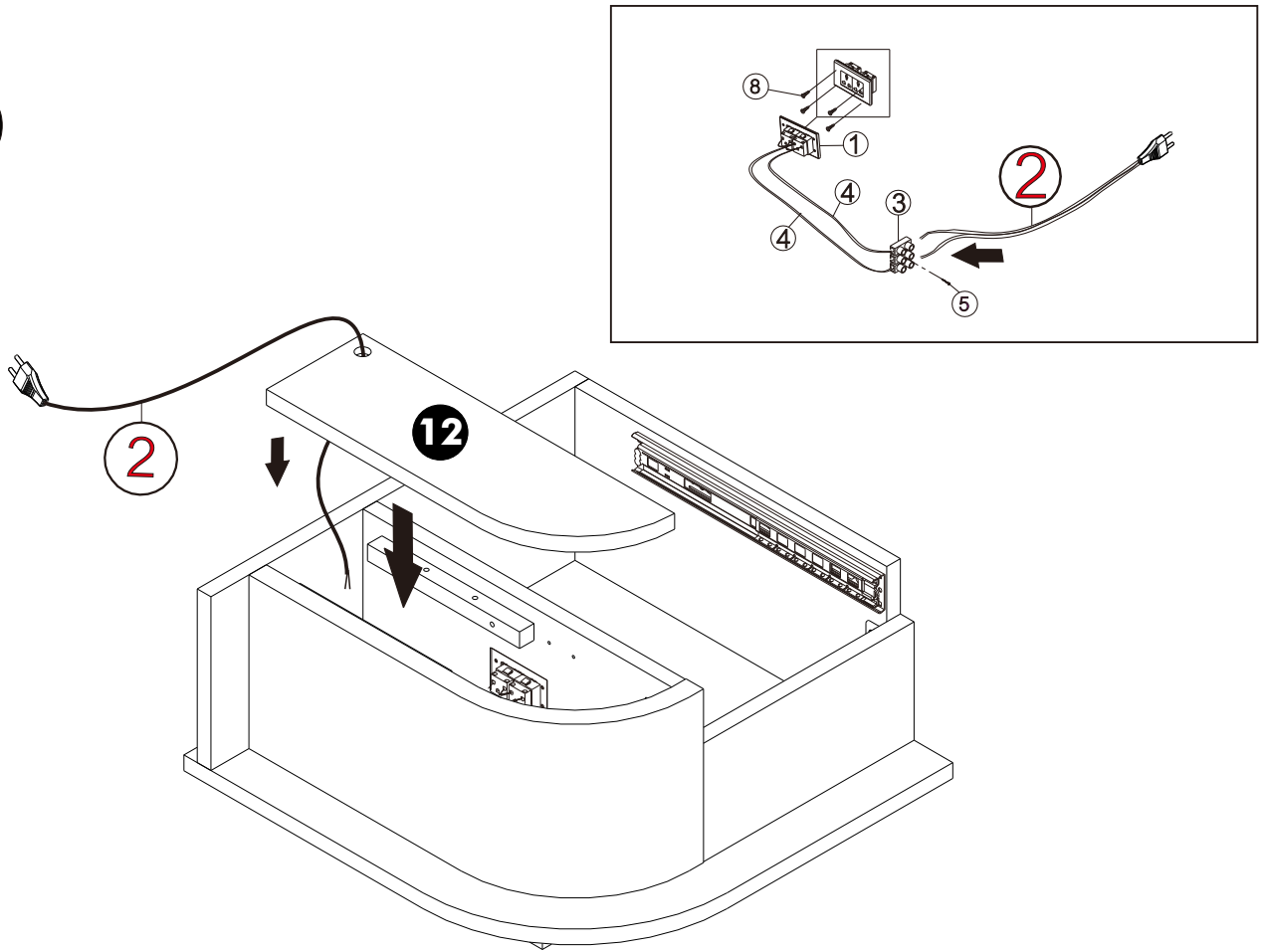
10.

(For Left)



11.

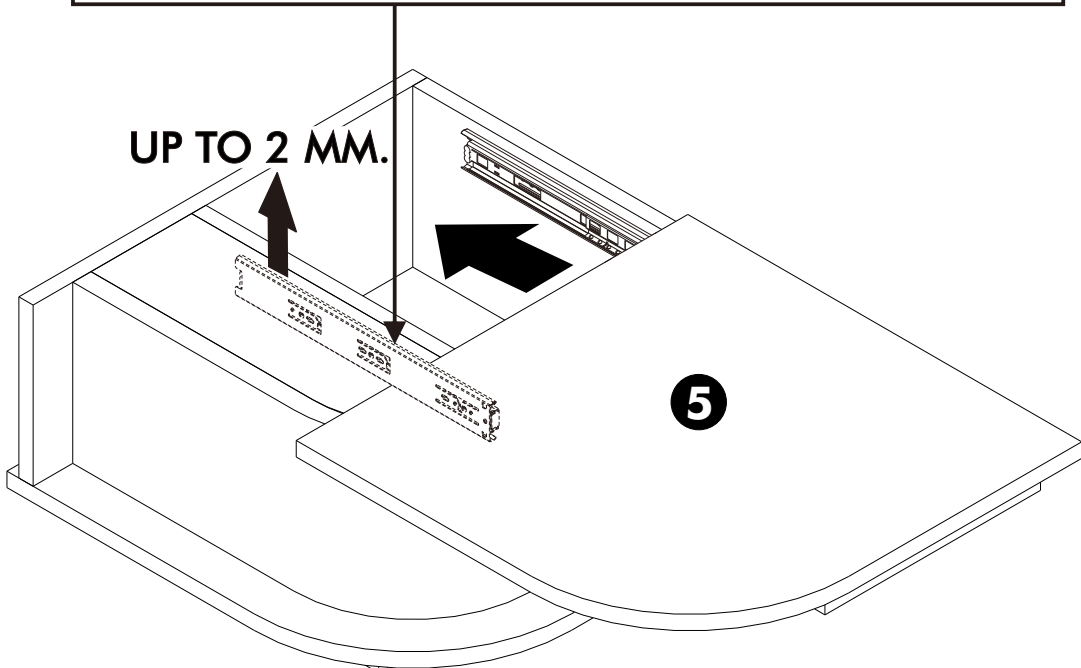
(For Left)

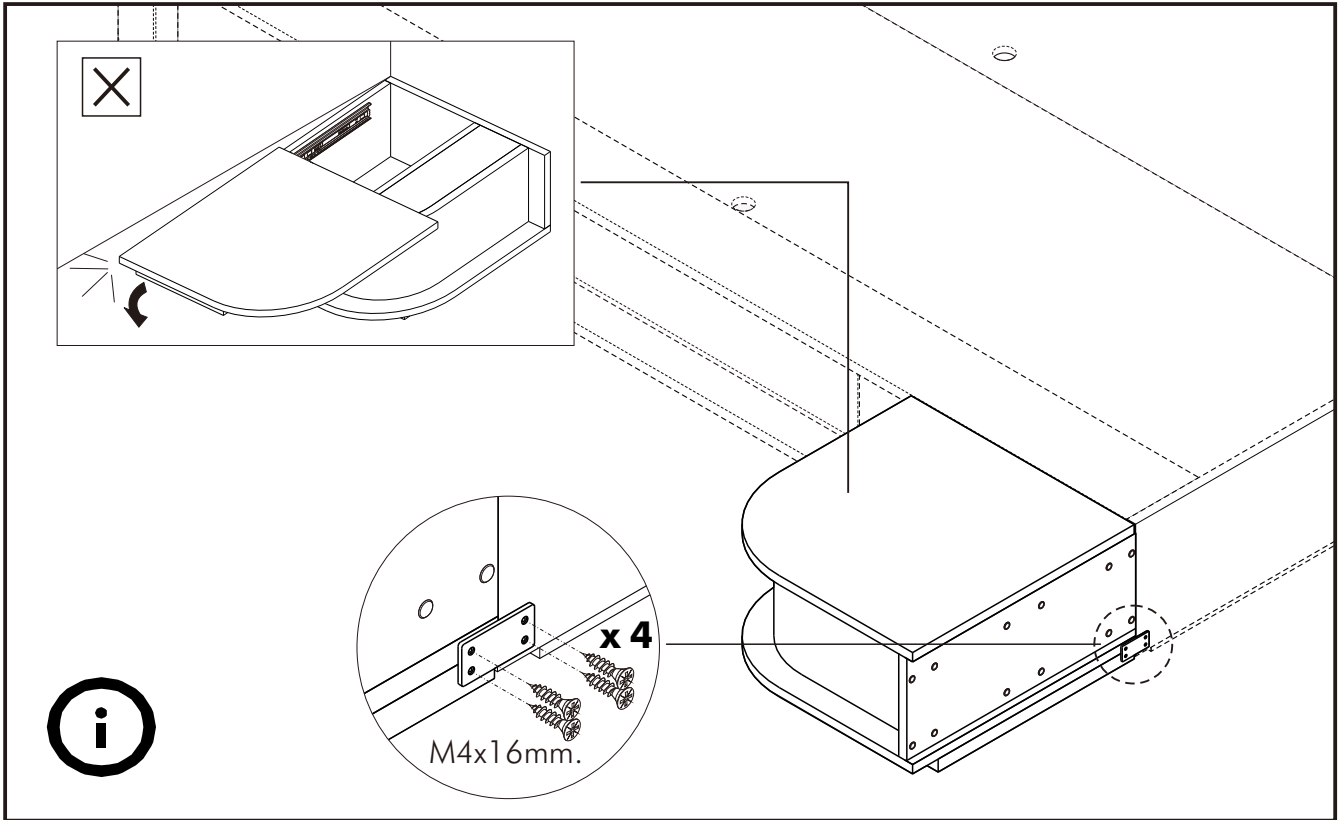


12.

(For Left)

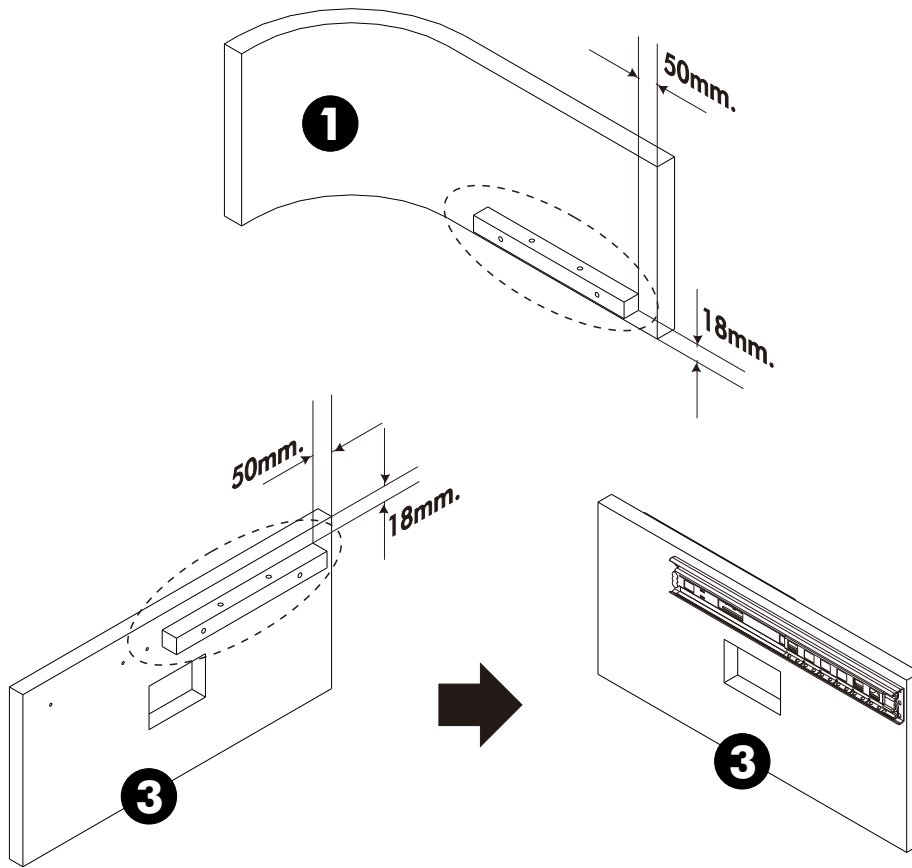
(i) WARNING
ADJUST (LOAD WEIGHT and GAP)
ห้ามวางน้ำหนักเกินจะทำให้ GAP เลื่อนน้อย





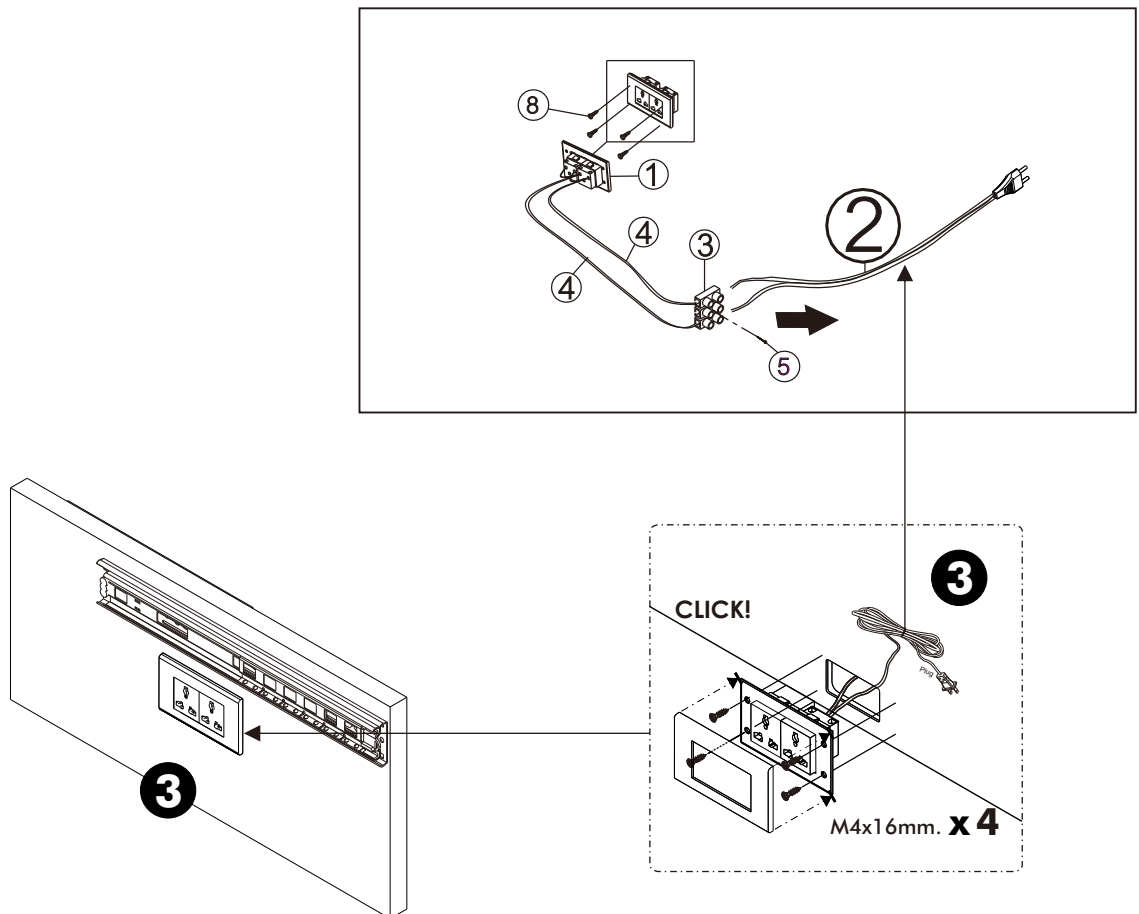
1.

(For Right)



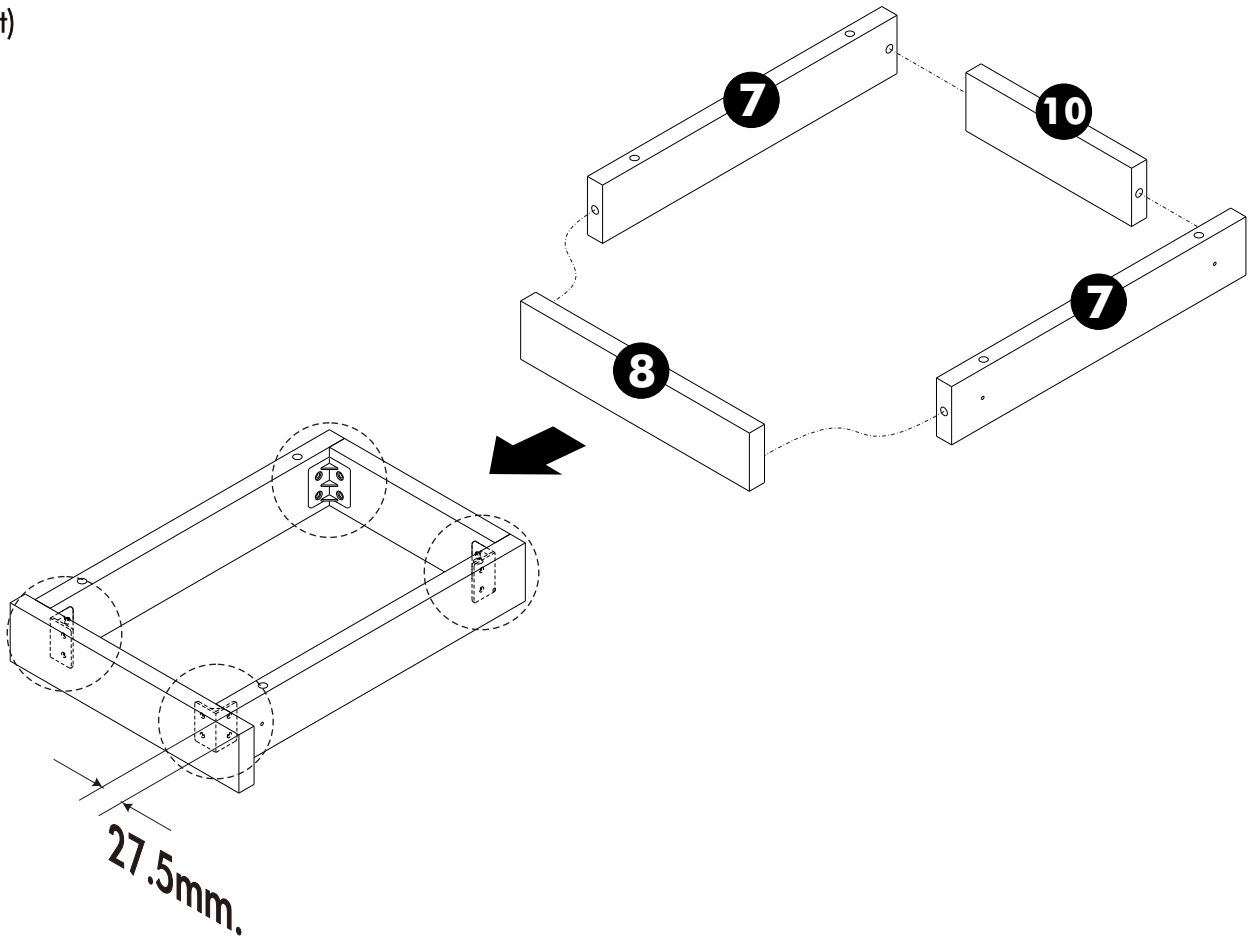
2.

(For Right)



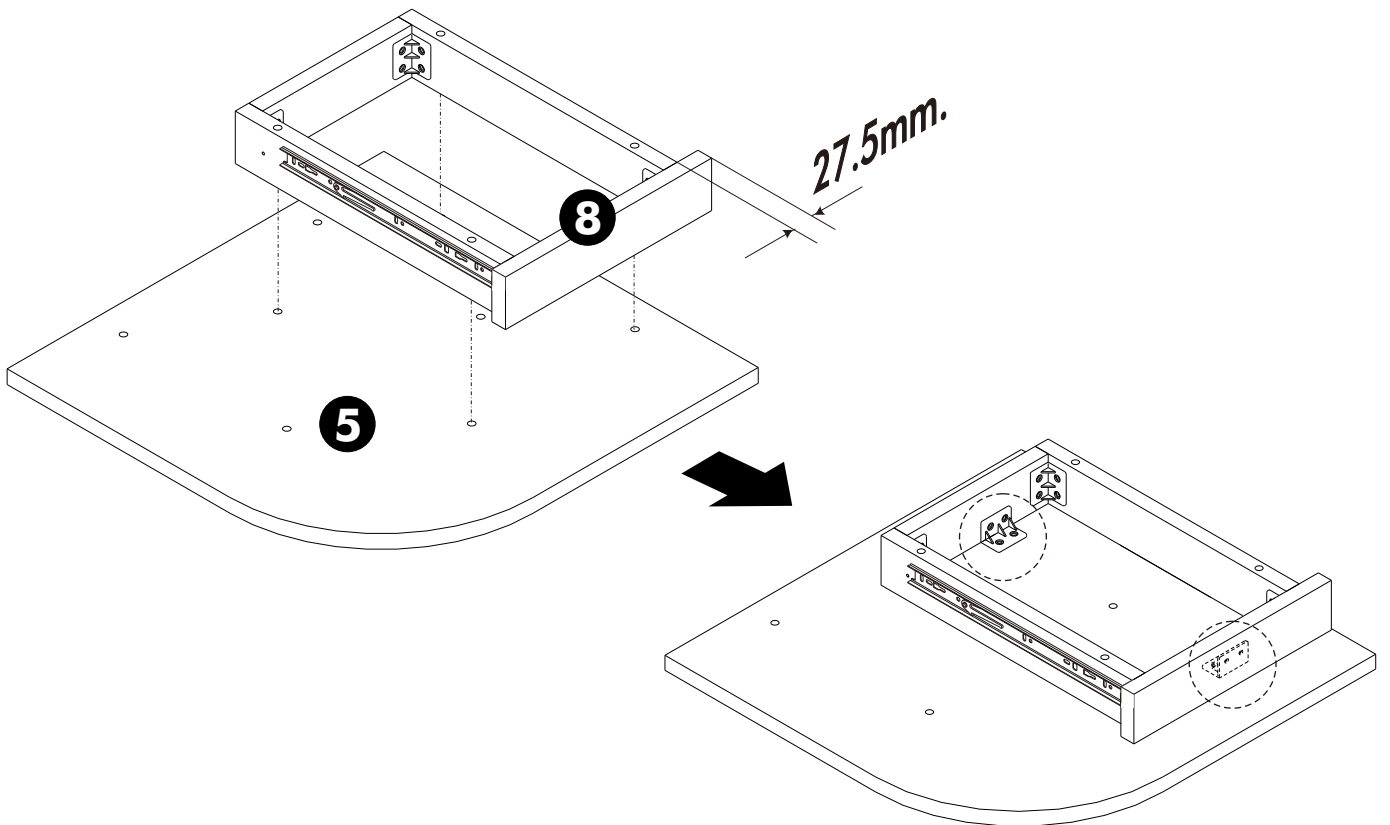
3.

(For Right)

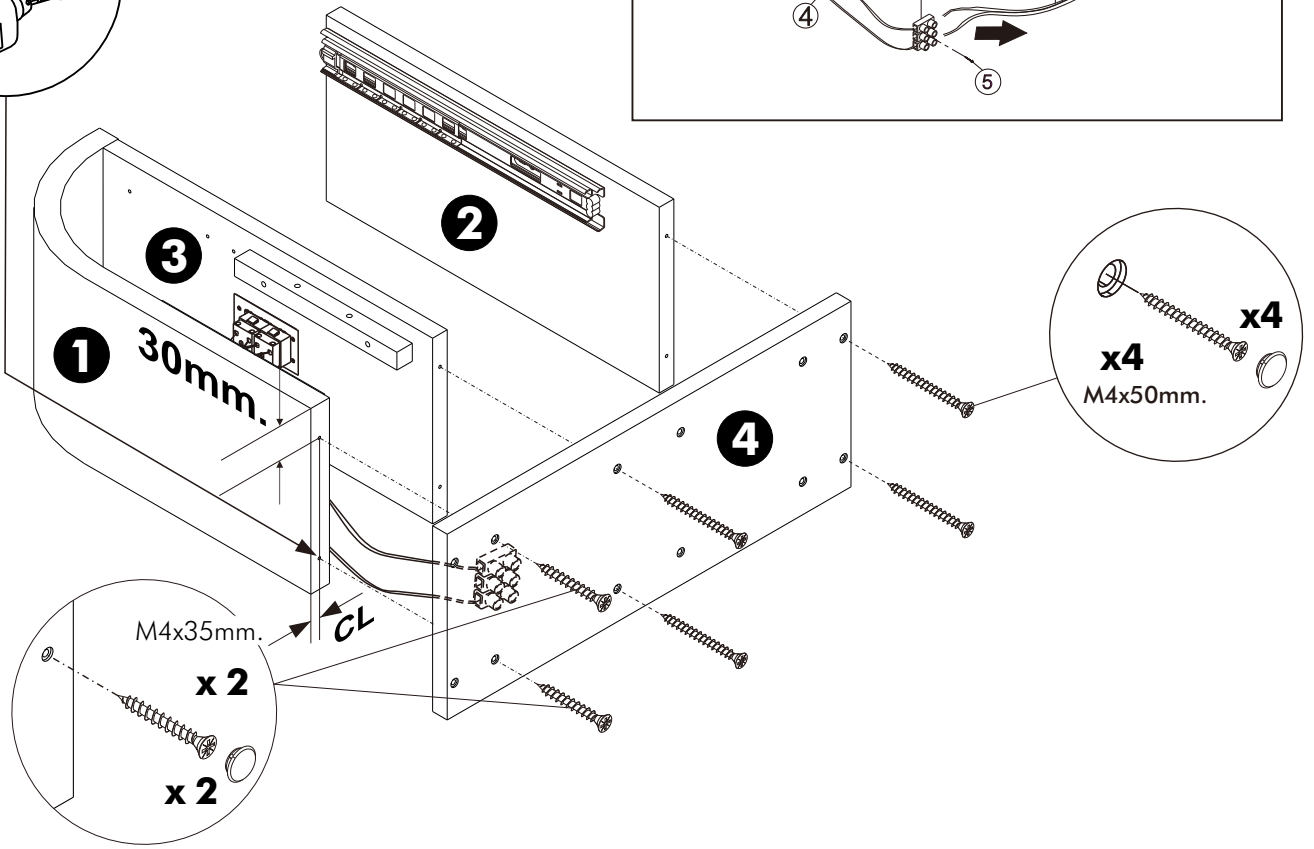
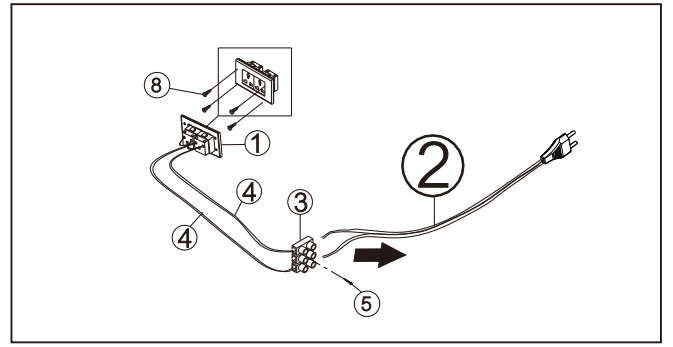
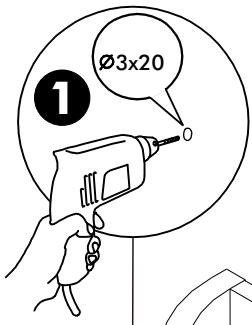


4.

(For Right)

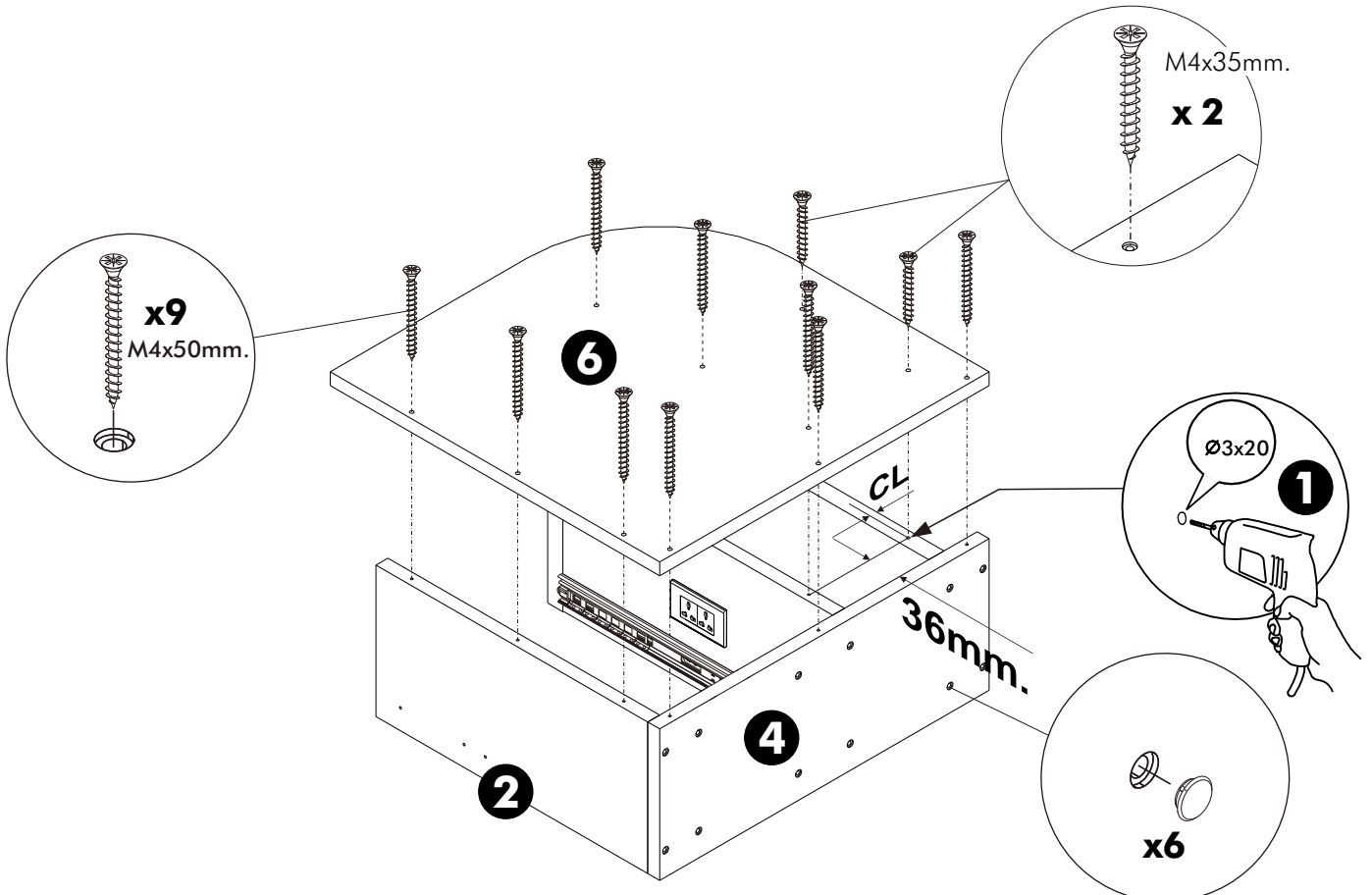


5. (For Right)



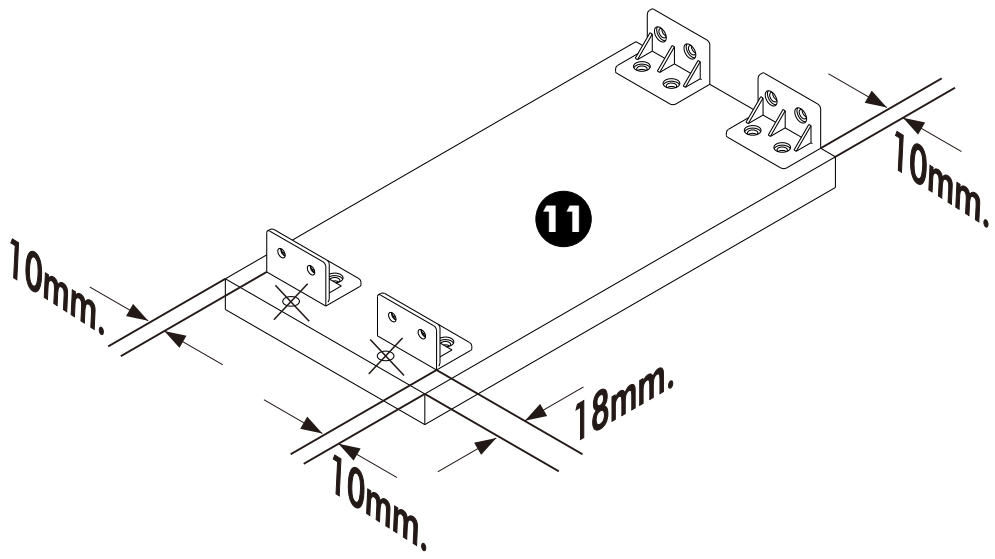
6.

(For Right)



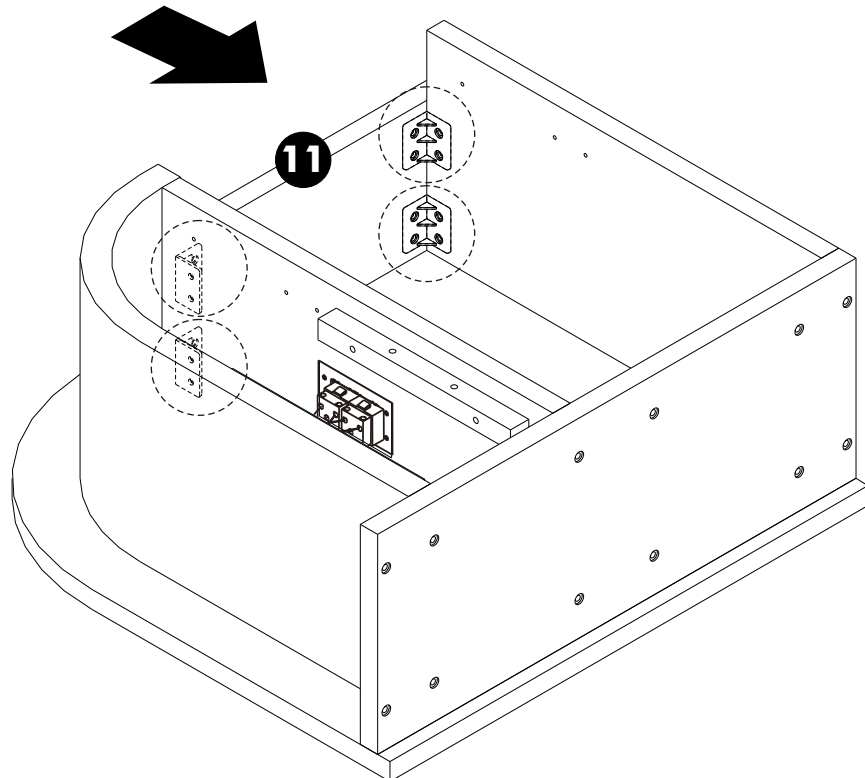
7.

(For Right)



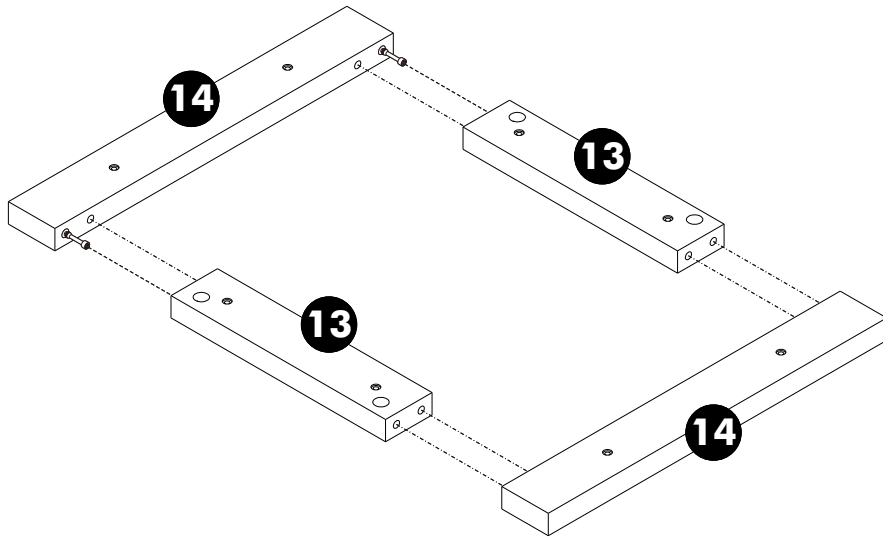
8.

(For Right)



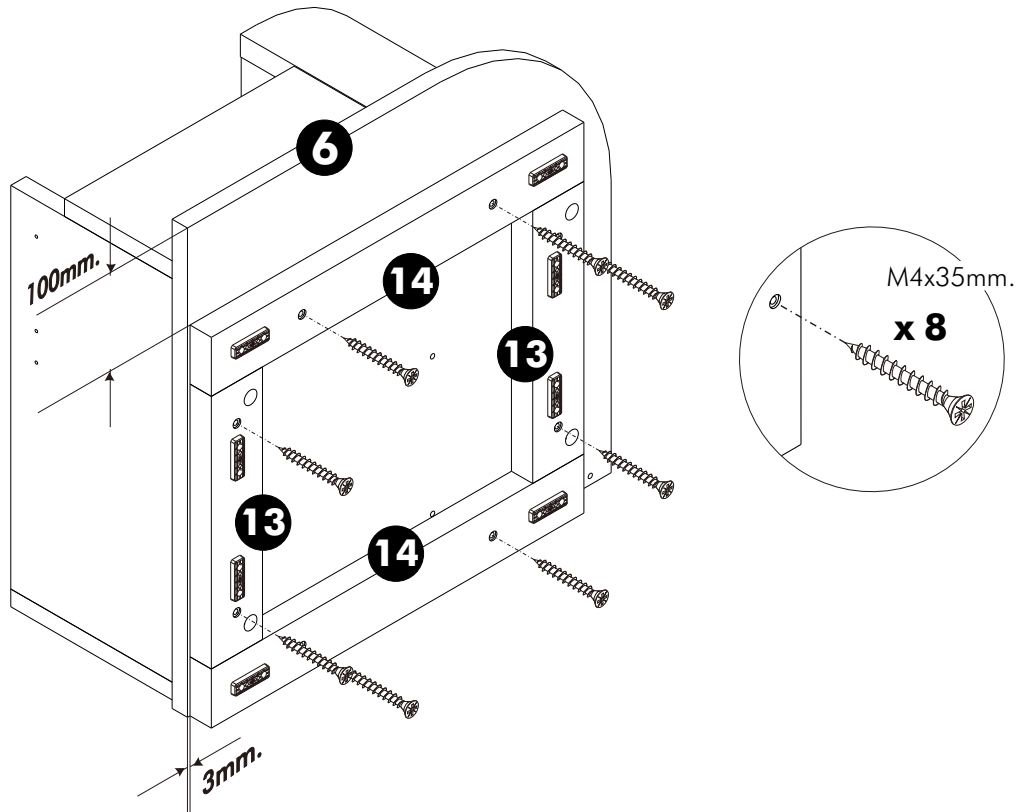
9.

(For Right)



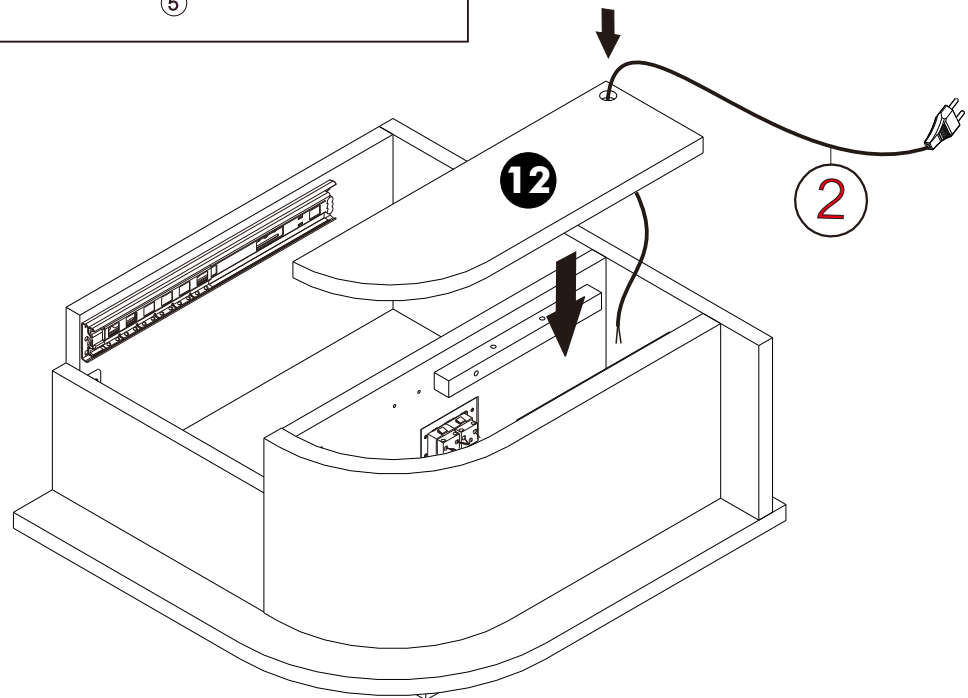
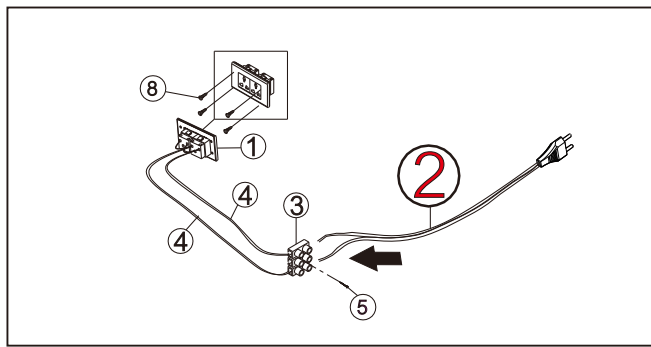
10.

(For Right)



11.

(For Right)



12.

(For Right)



WARNING

ADJUST (LOAD WEIGHT and GAP)

