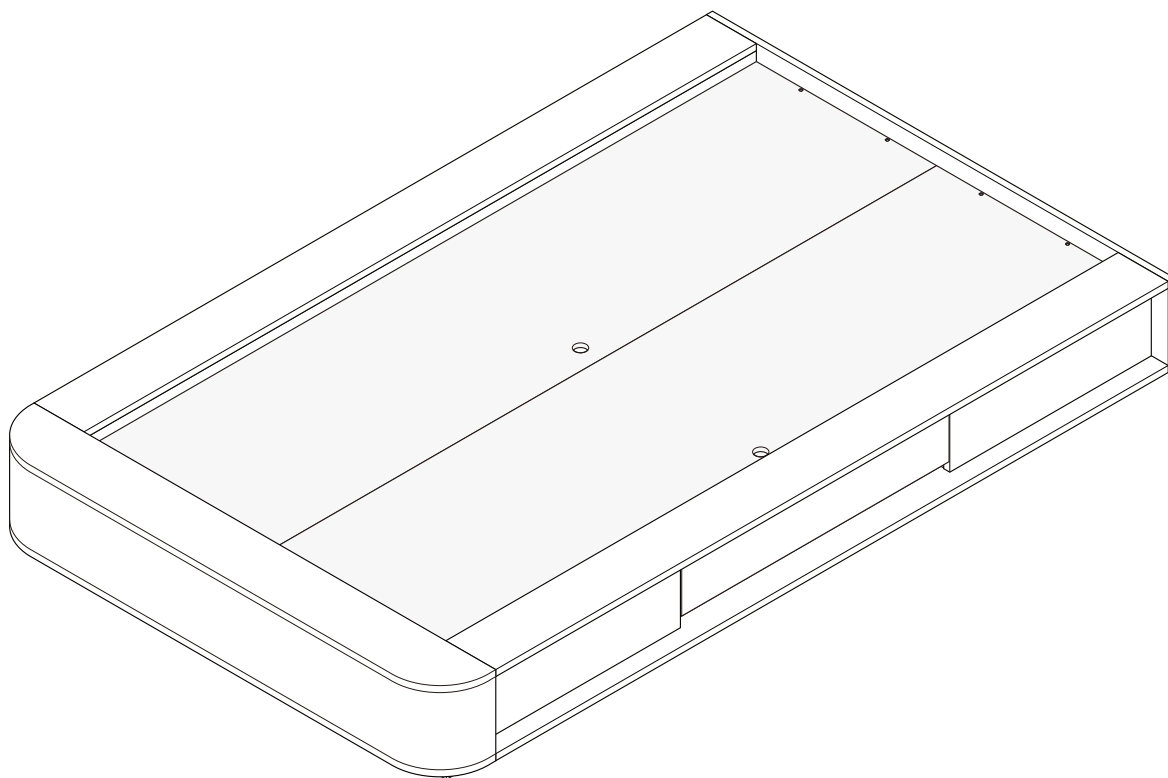


BASIA

Bed 3.5 ft



CONNECT SYSTEM

1

3

2

(Connecting bolts)

WHEN FITTING CAMS
 ENSURE STARTING POSITION IS CORRECT
 BEFORE YOU INSERT CONNECTING BOLT
 TURN CLOCKWISE UNTIL SECURE

✓				✗
	↑			
	CORRECT		WRONG	

M4x16mm.

i

40mm.

☹

✗

EQ

☺

✓

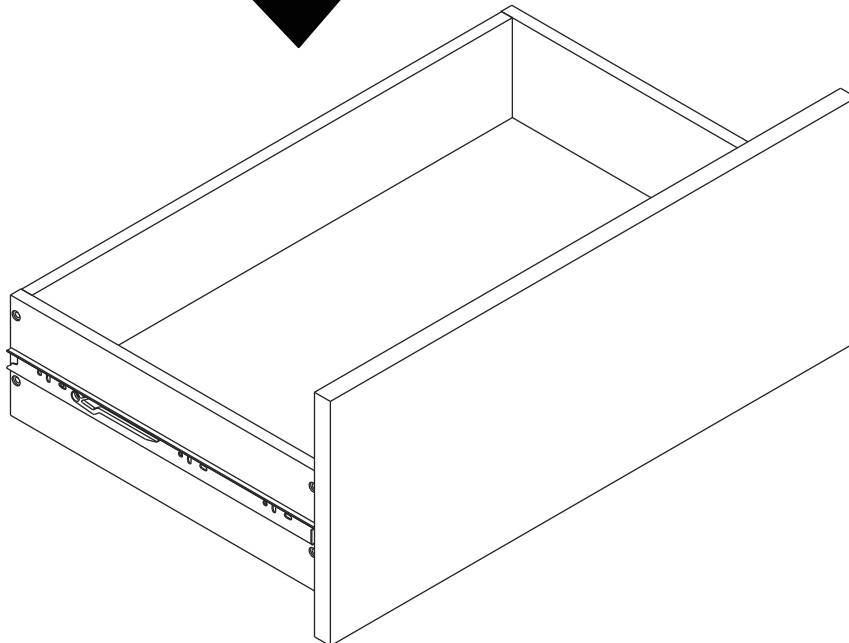
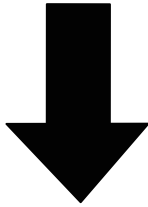
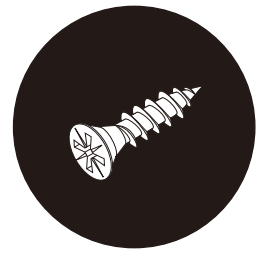
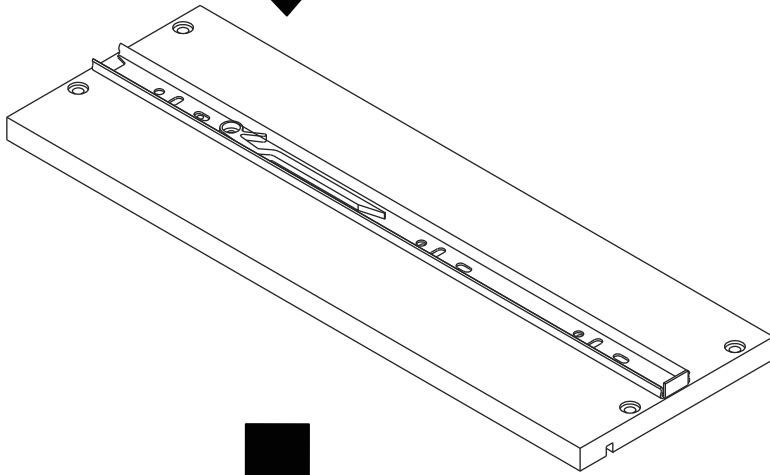
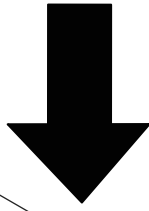
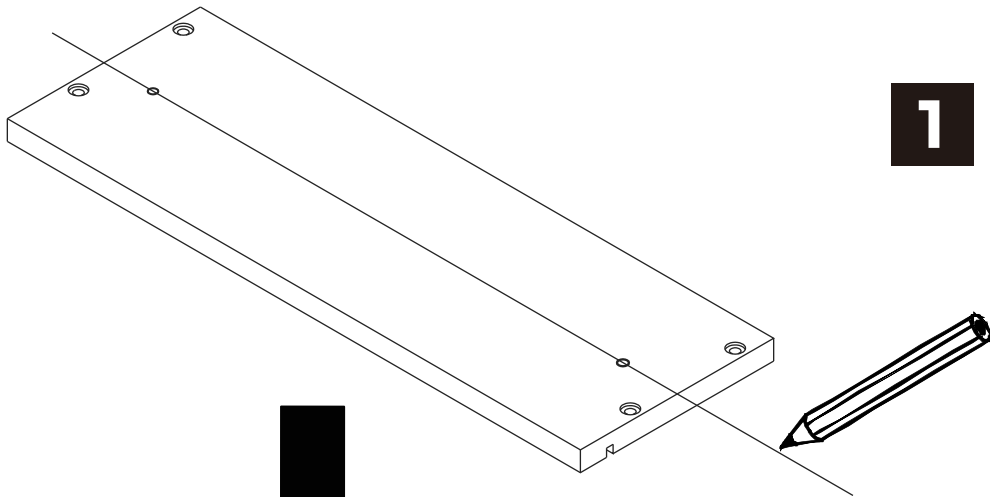
M3.5x13mm.

1

Use these holes

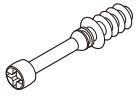
2

Use these holes



HARDWARE

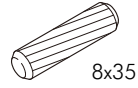
-BODY SET



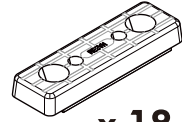
x 4



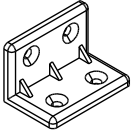
x 4



x 44



x 18

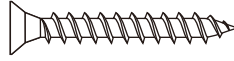


x 46



M4x16mm.

x 224



M4x30mm.

x 28



M4x40mm.

x 3



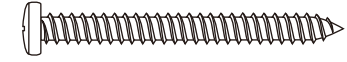
M4x50mm.

x 4



M4x16mm.

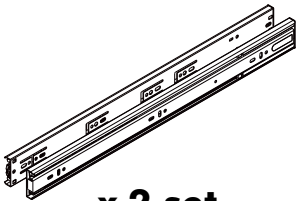
x 8



M4x45mm.

x 8

-DRAWER SET

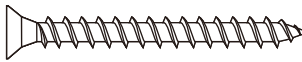


x 2 set



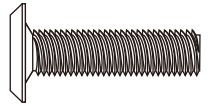
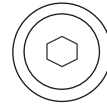
M3.5x13mm.

x 24



M4x40mm.

x 20



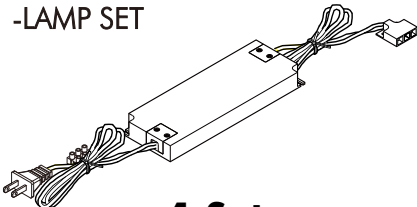
M6x23mm.

x 6



x 4

-LAMP SET



x 1 Set



x 1

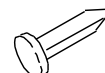


5x1/2"

x 4



x 15



x 15



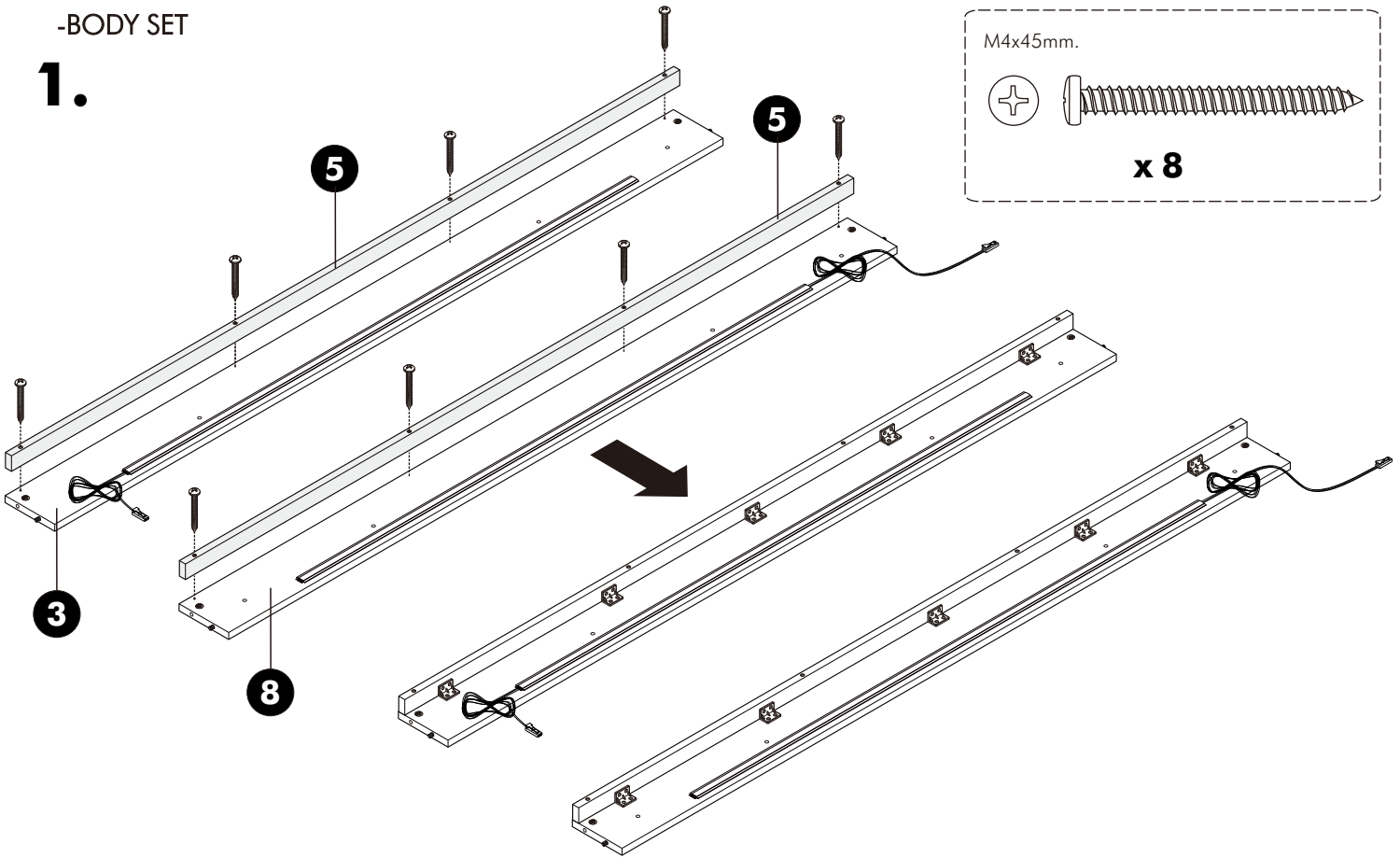
5x3/4"

x 1

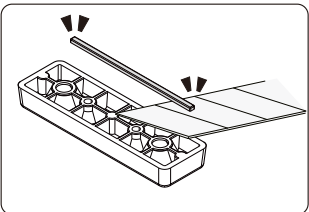
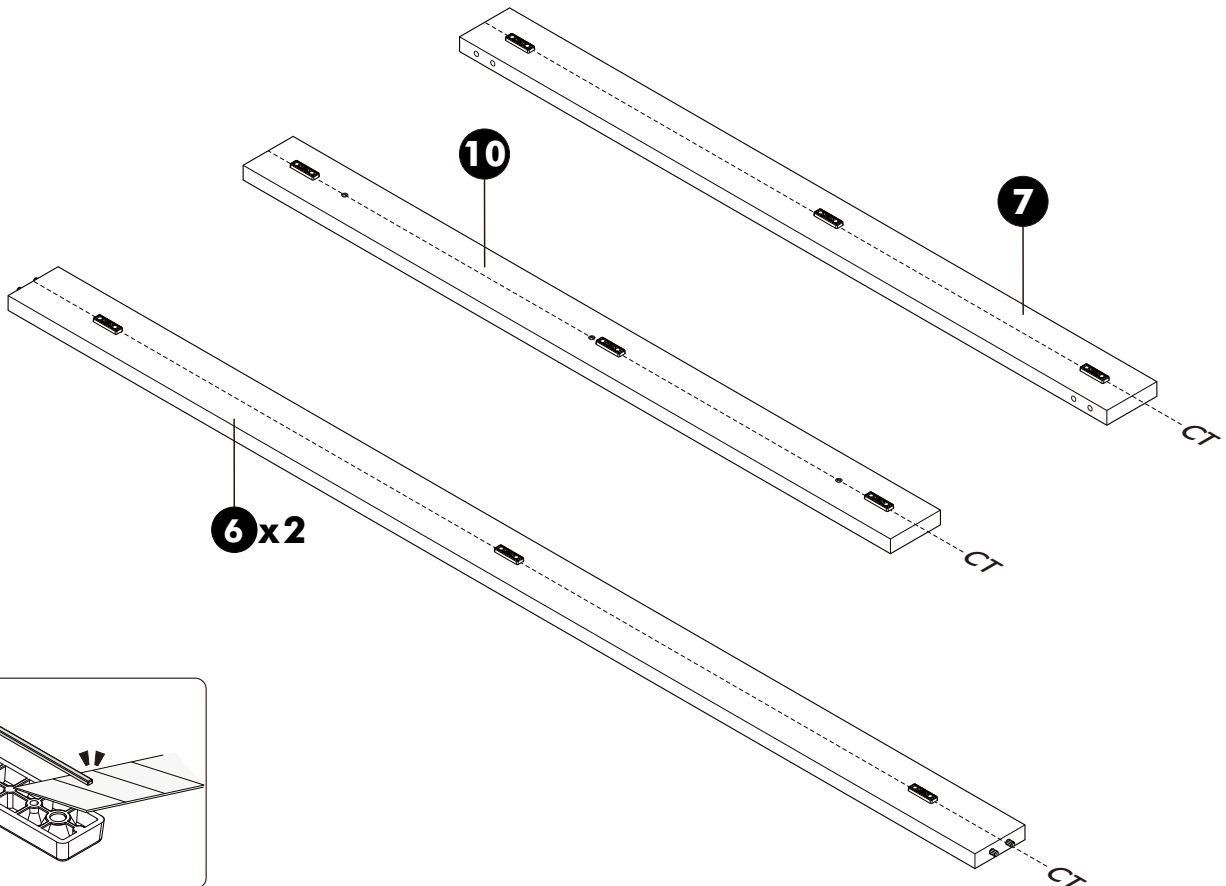
ASSEMBLY

-BODY SET

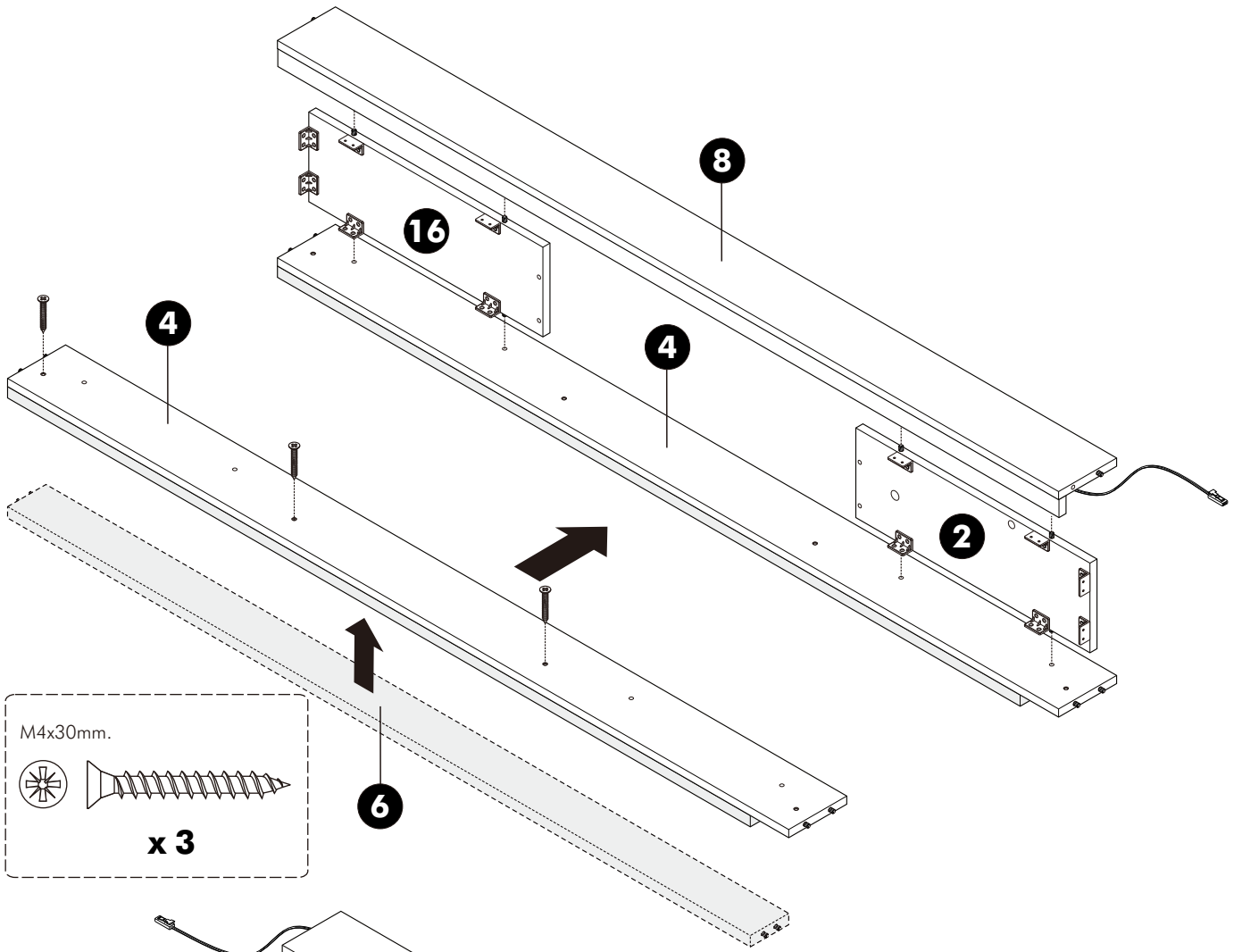
1.



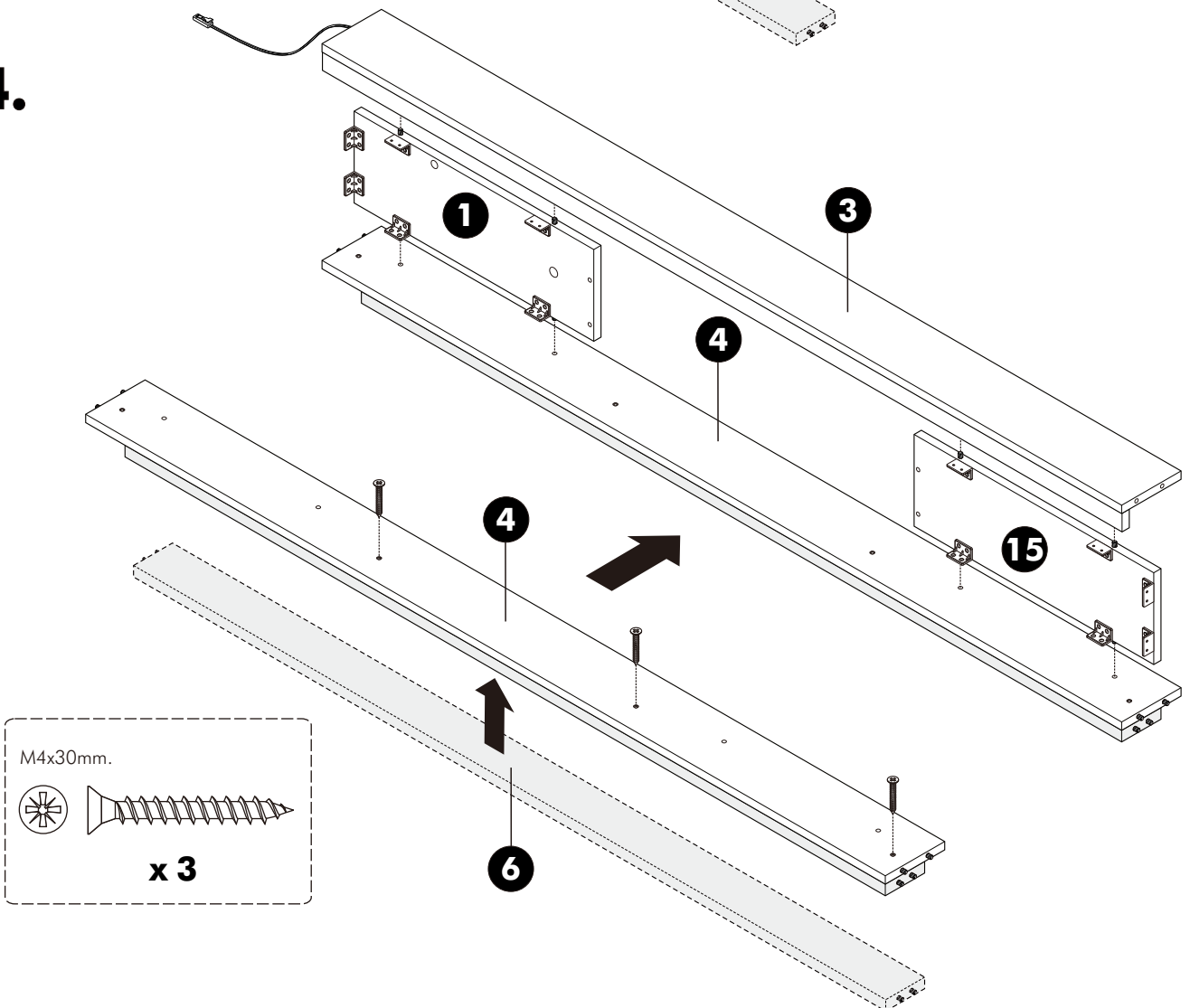
2.



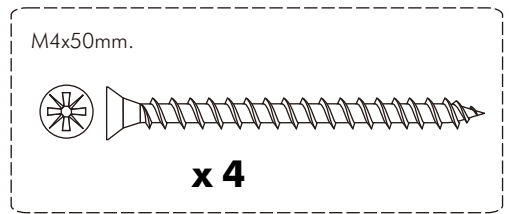
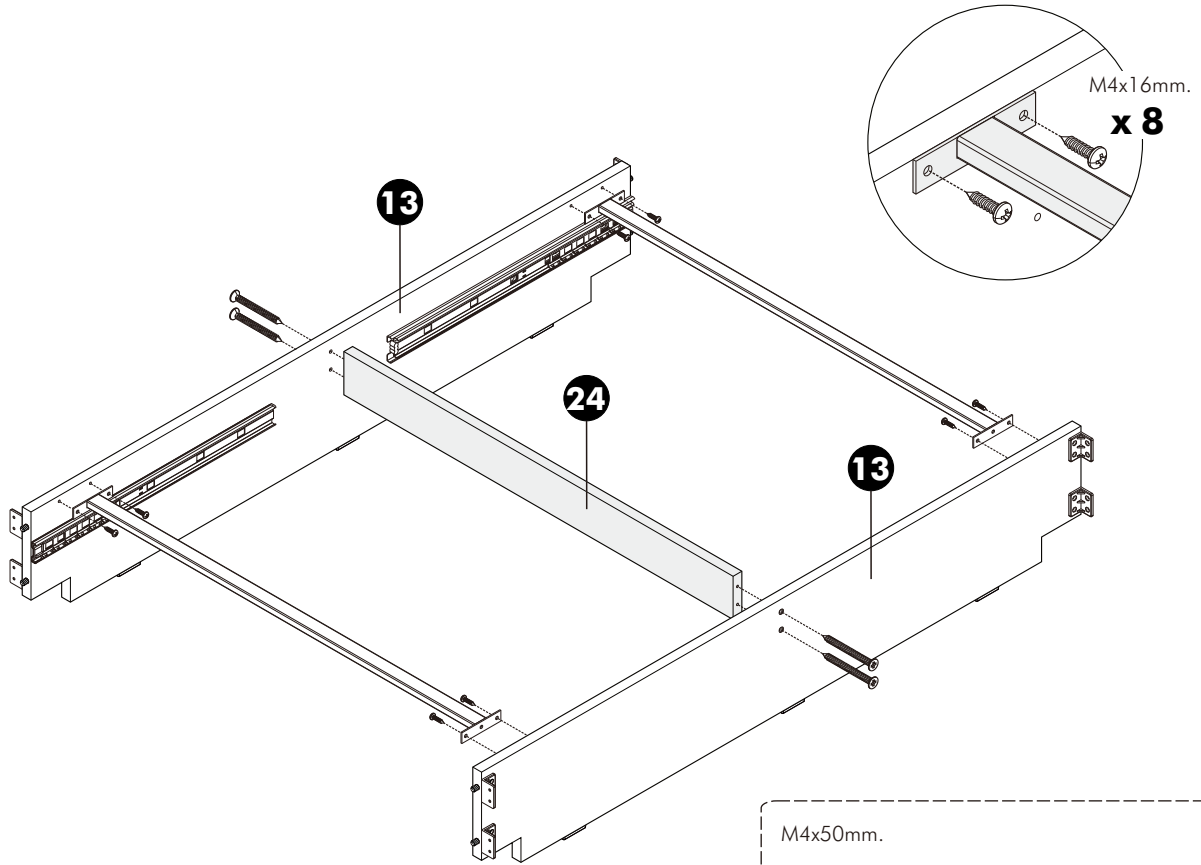
3.



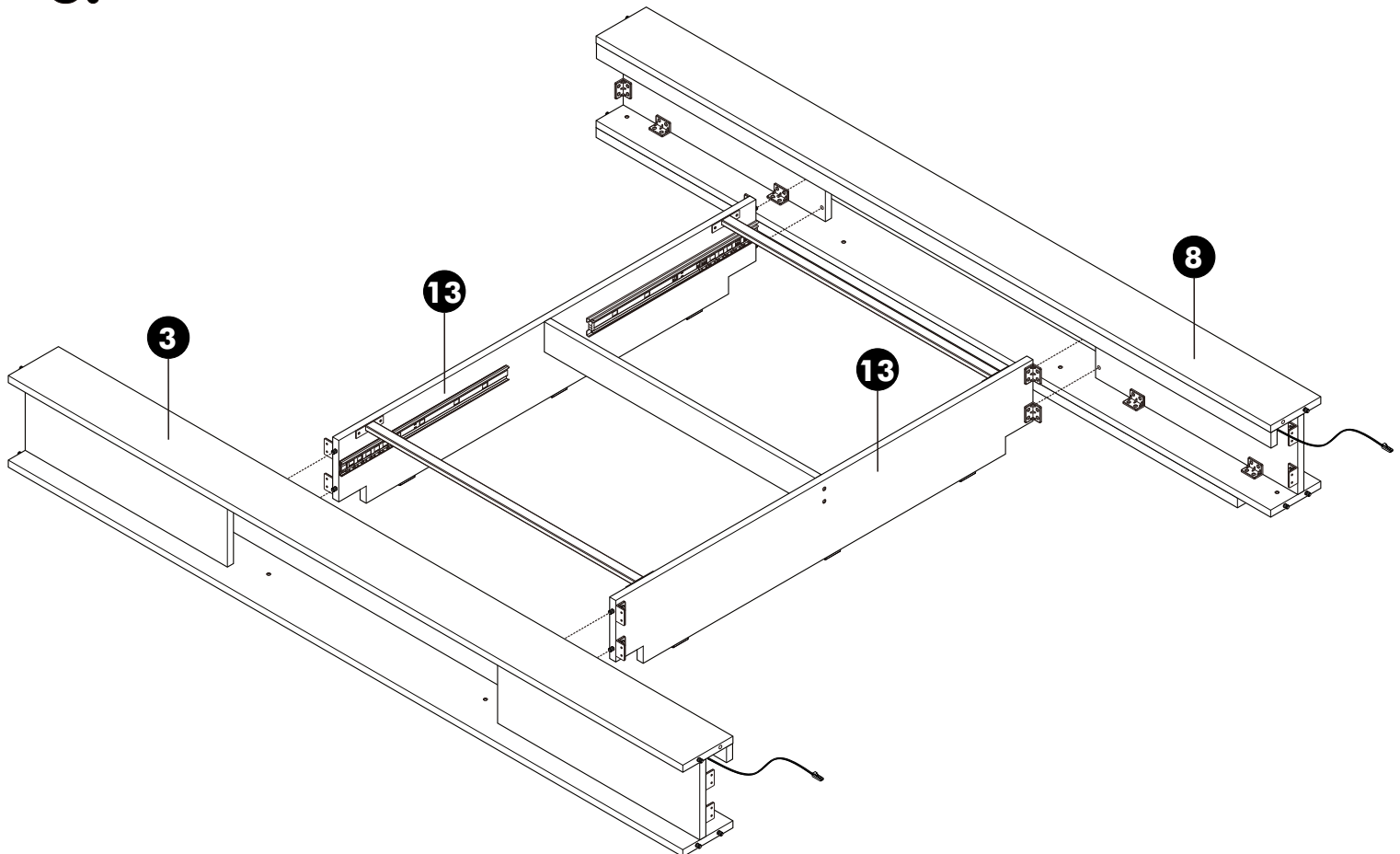
4.



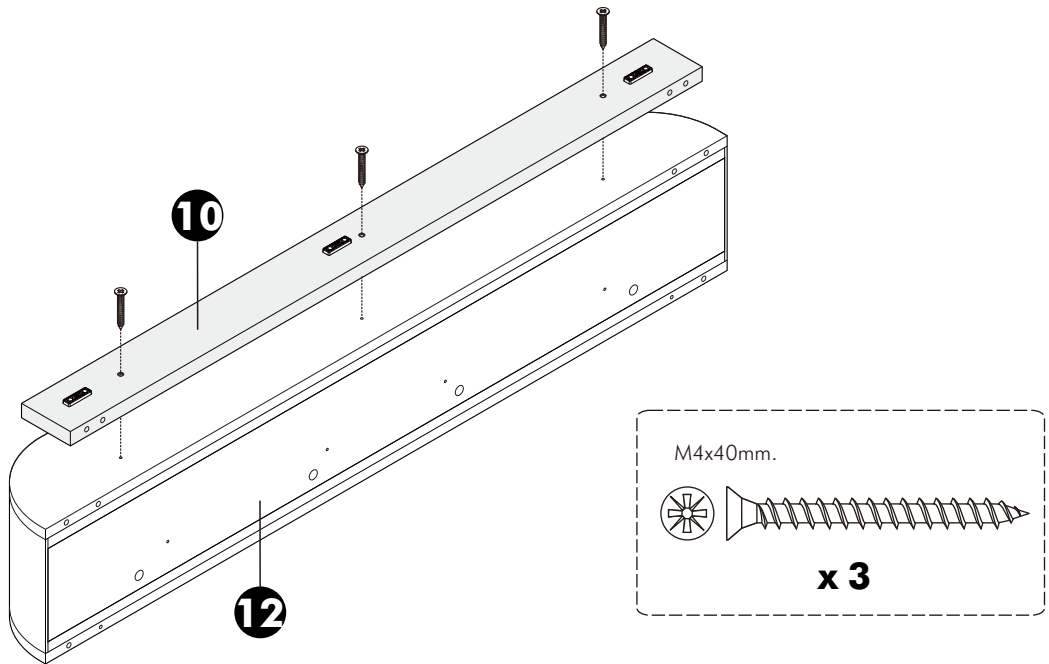
5.



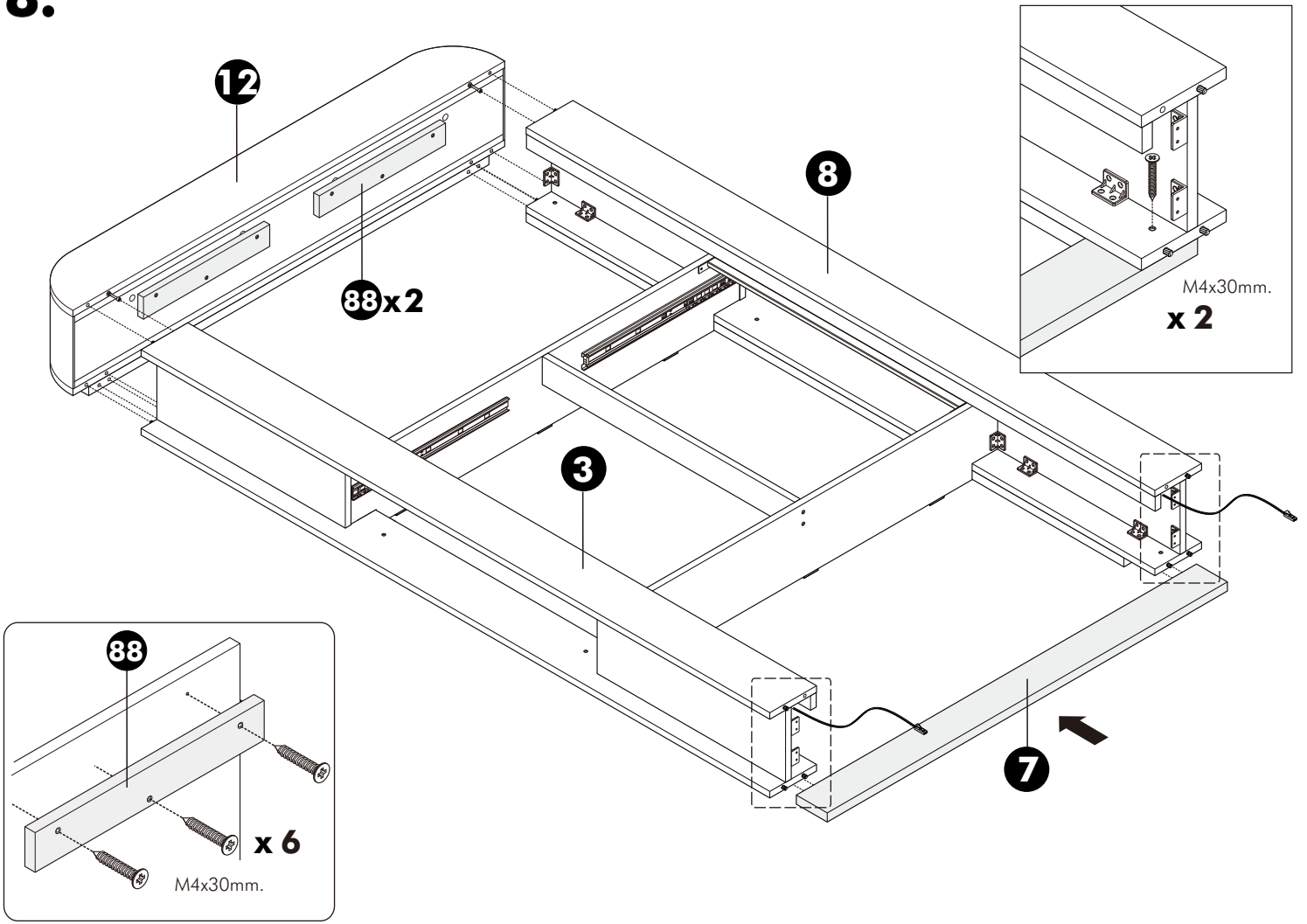
6.



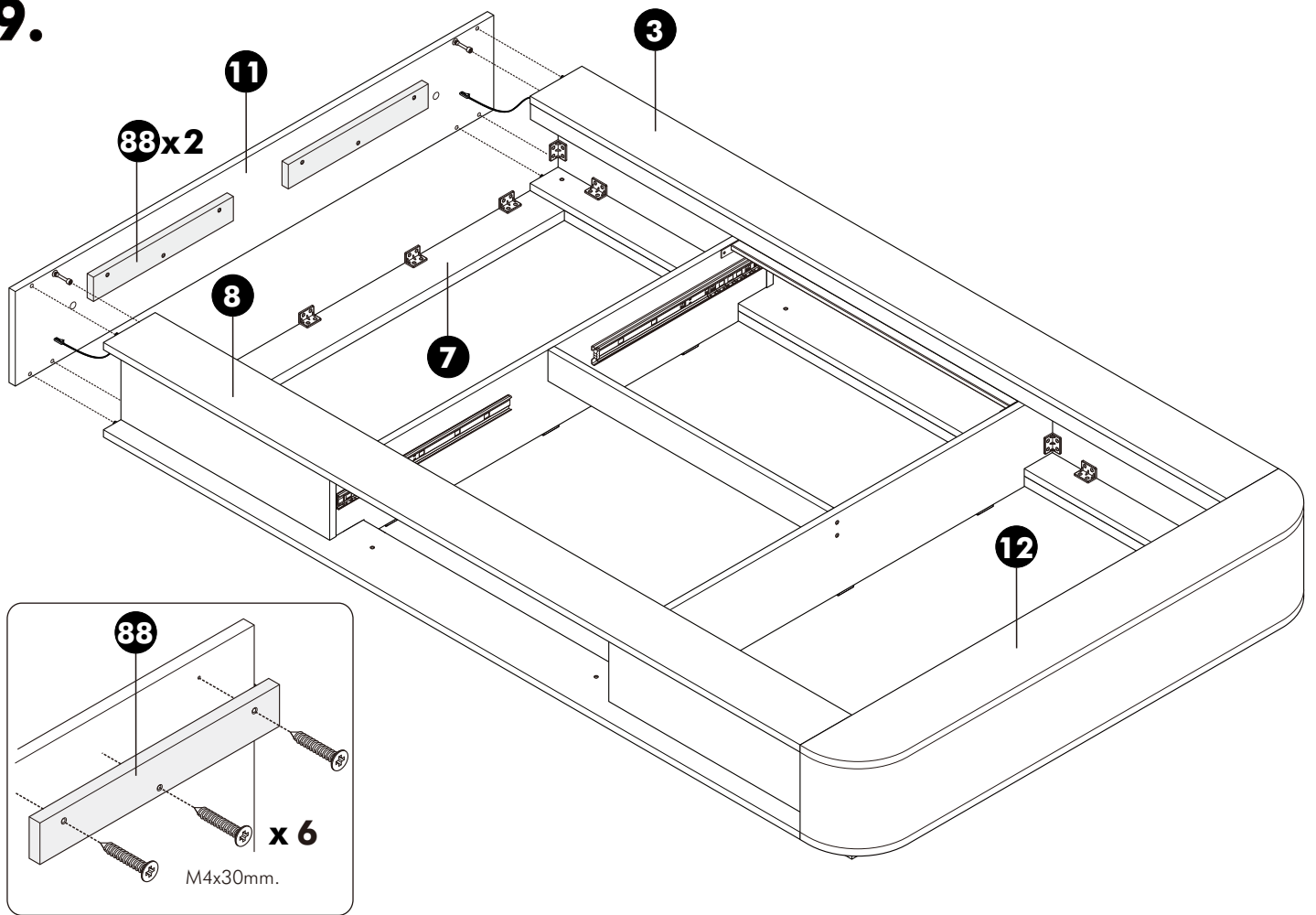
7.



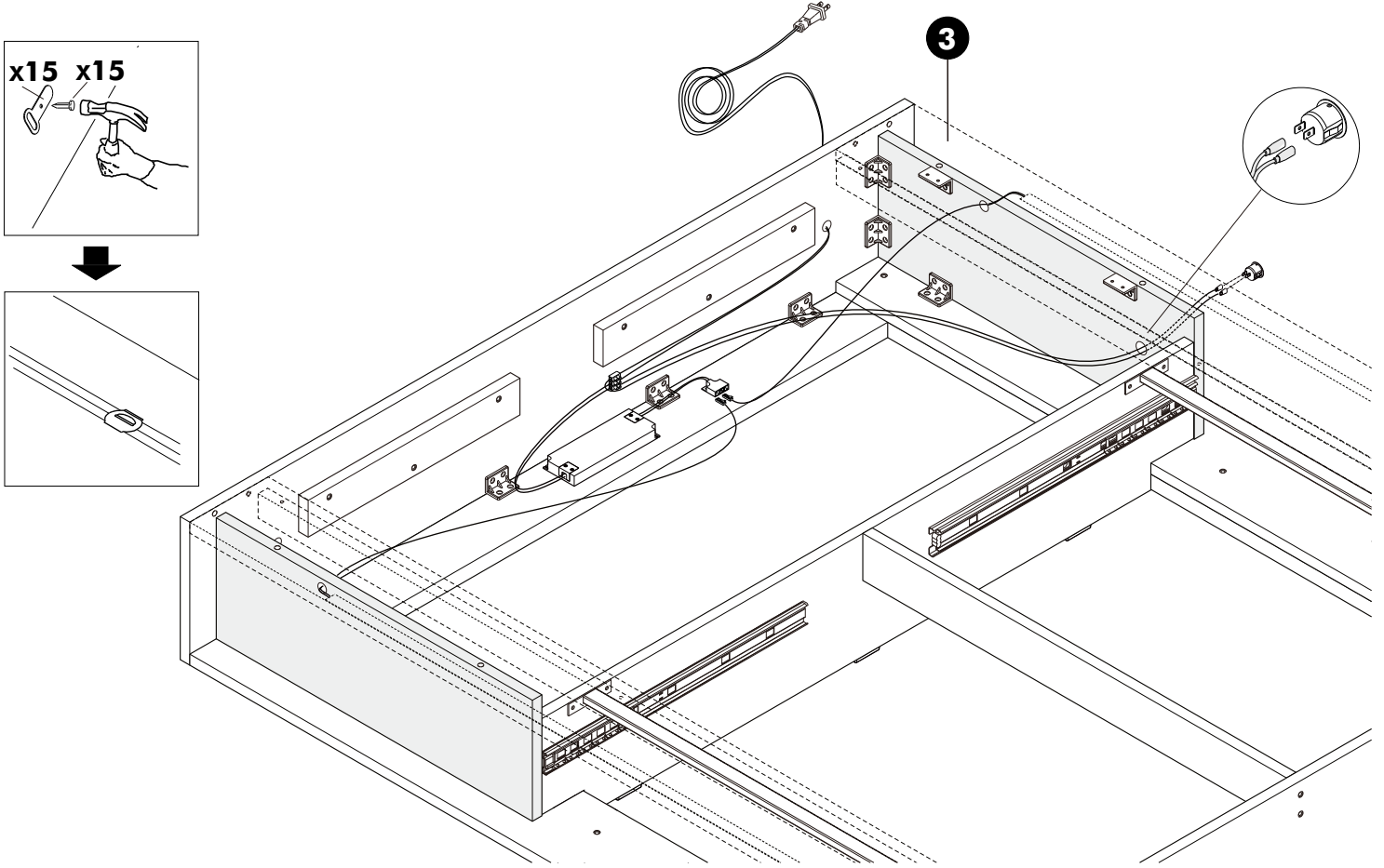
8.



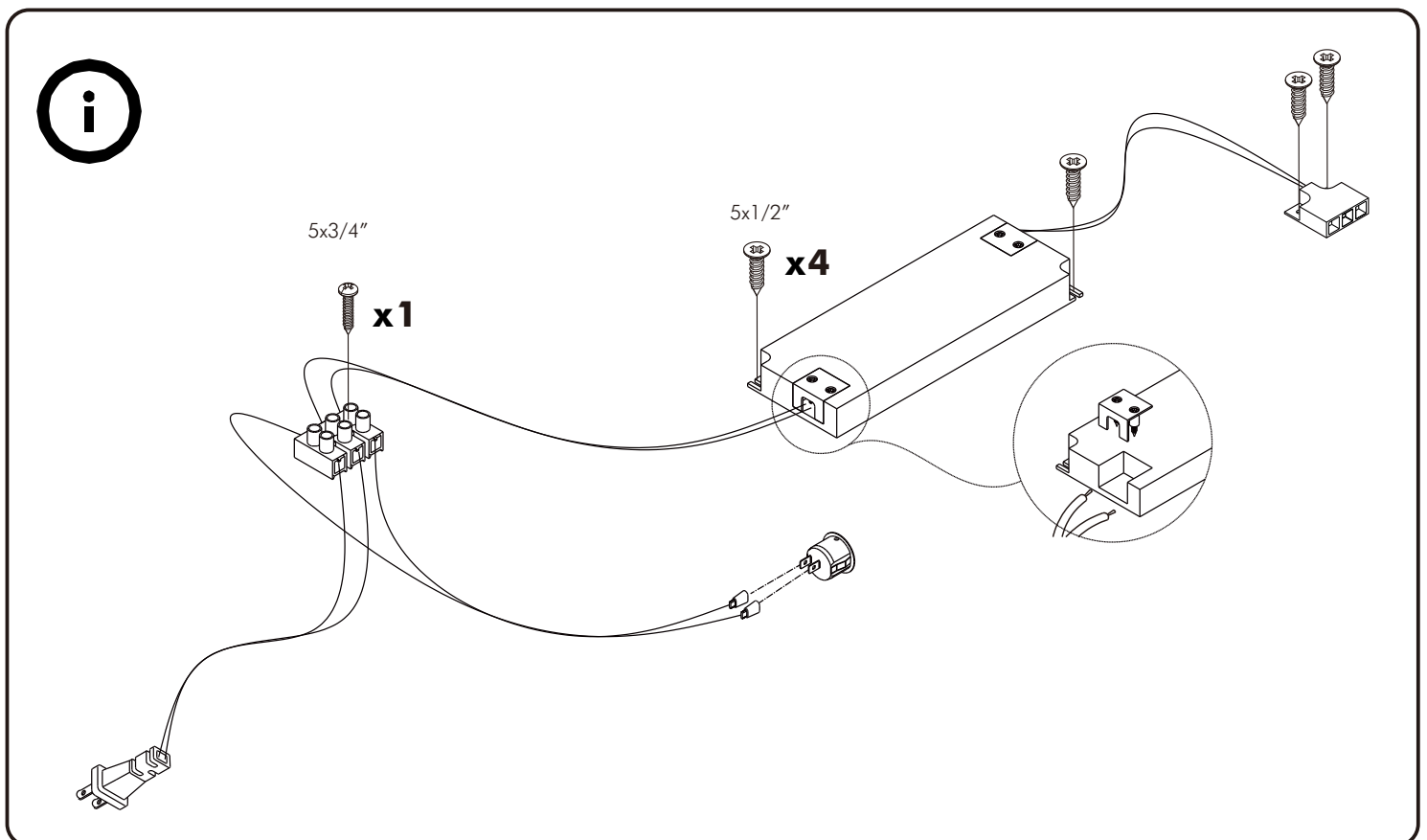
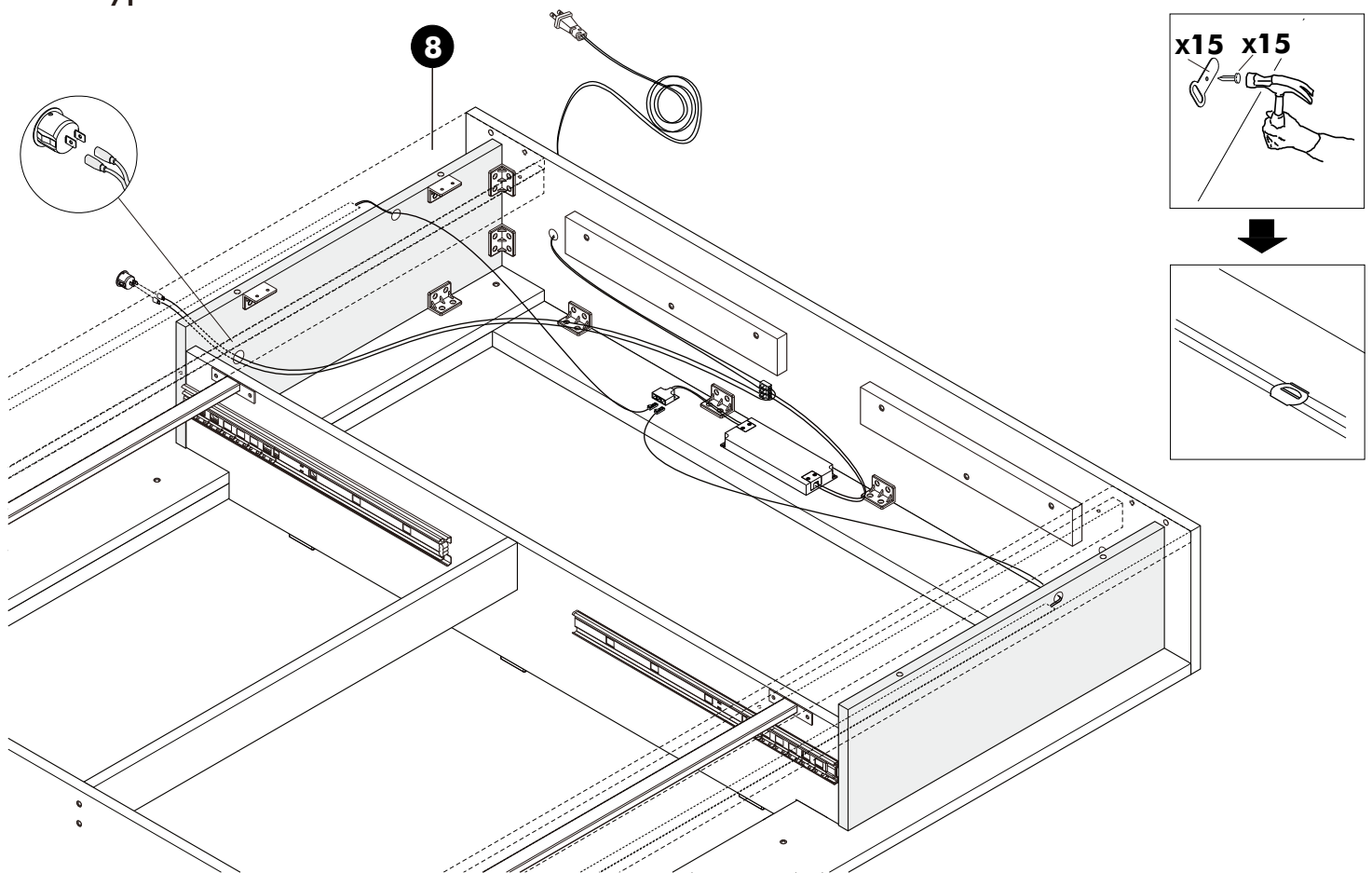
9.



10. Type-A



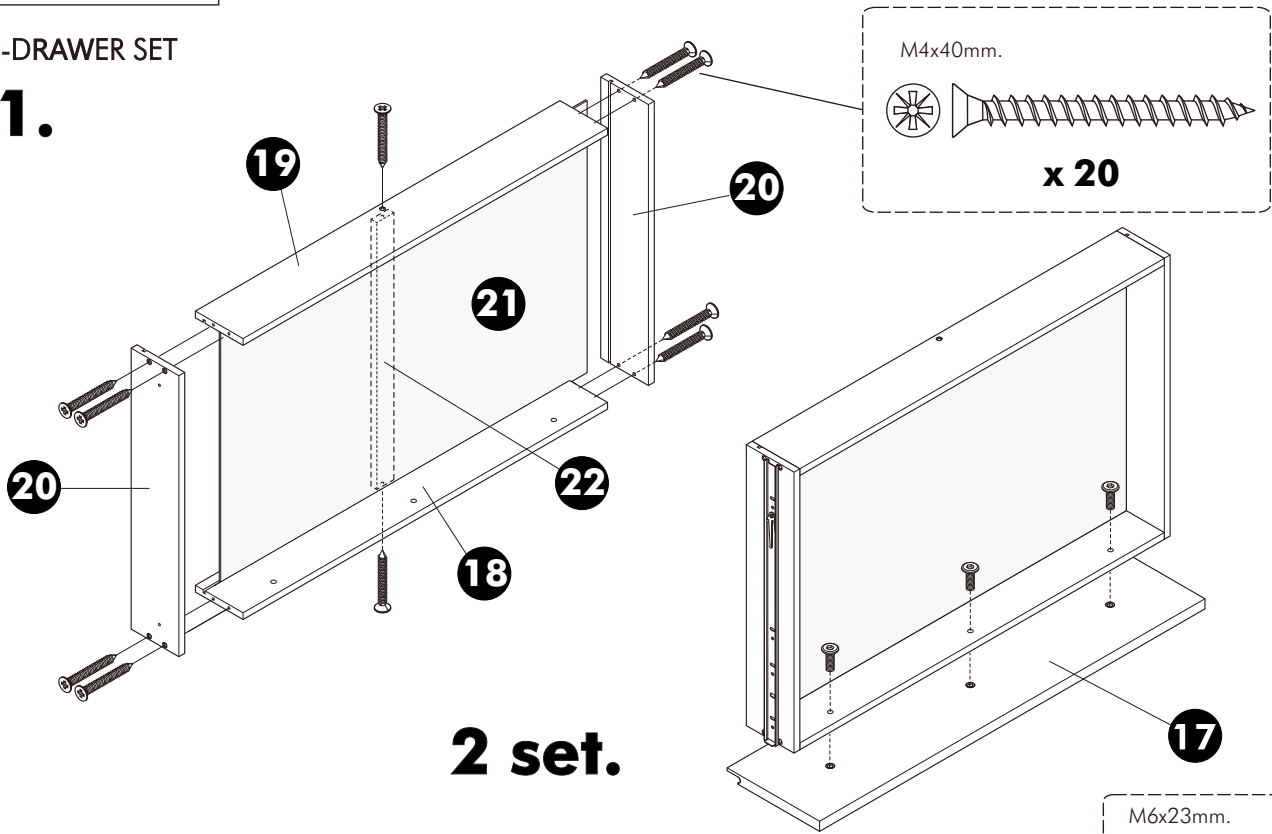
10. Type-B



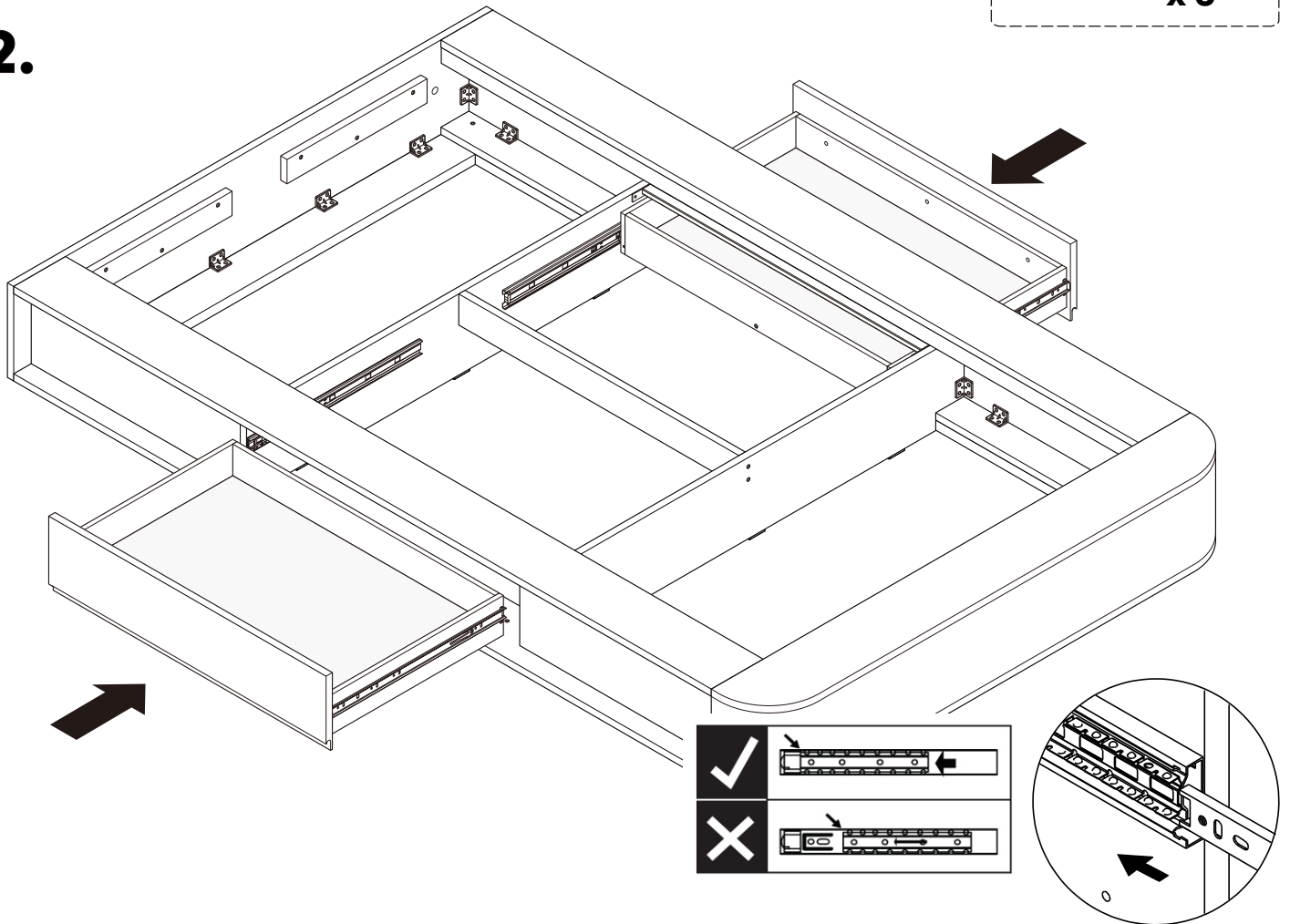
ASSEMBLY

-DRAWER SET

1.



2.



ASSEMBLY

-BODY SET

