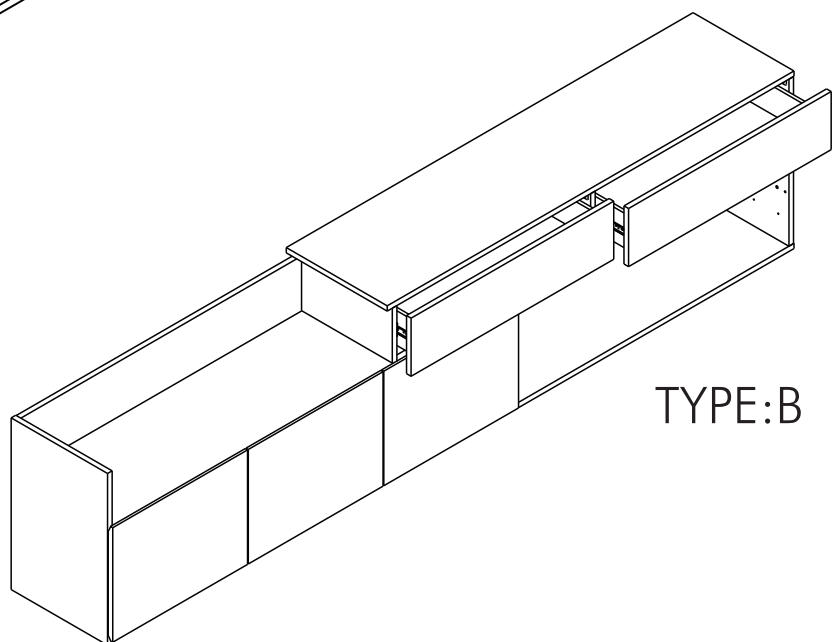
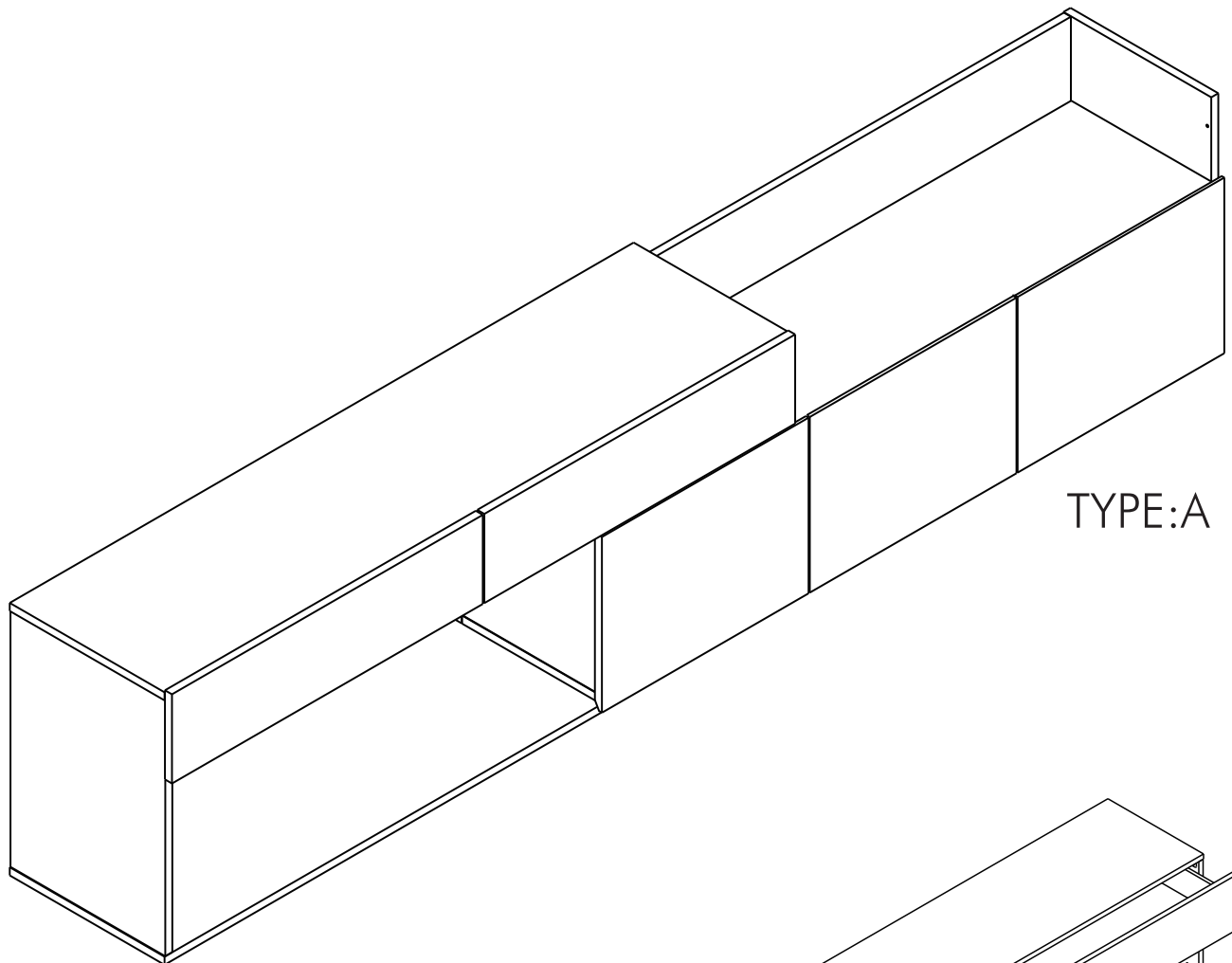


XPAND

TV Cabinet 160/270 Cm.



CONNECT SYSTEM

1

3

2

(Connecting bolts)

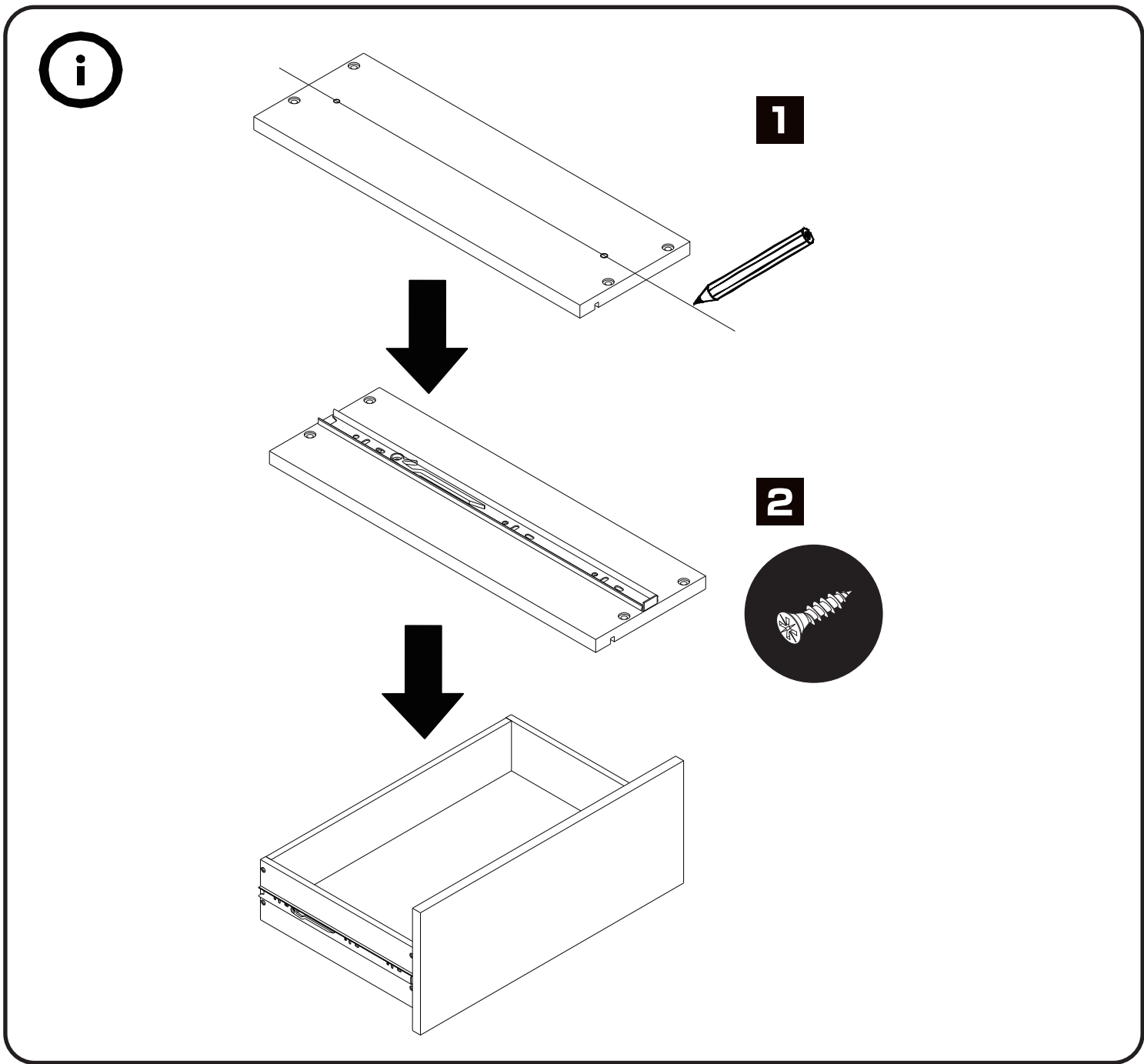
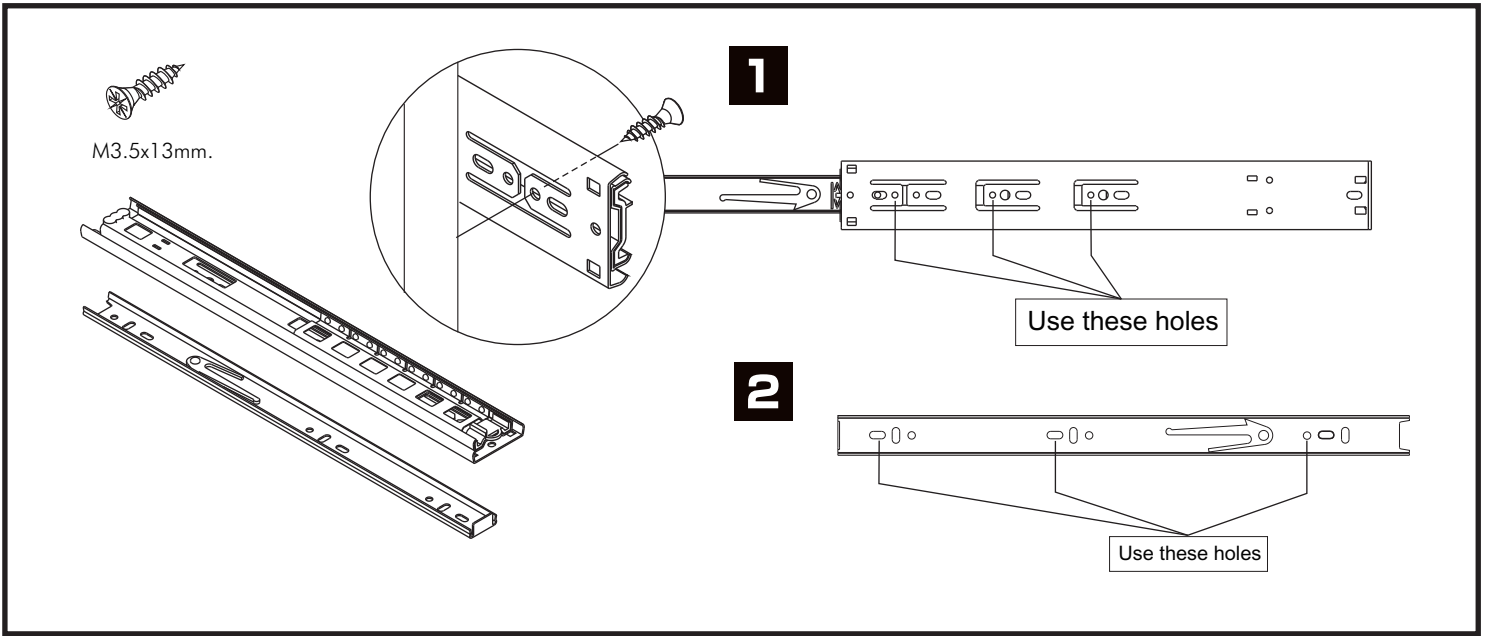
WHEN FITTING CAMS
 ENSURE STARTING POSITION IS CORRECT
 BEFORE YOU INSERT CONNECTING BOLT
 TURN CLOCKWISE UNTIL SECURE

✓				✗
↑	CORRECT	WRONG		

M4x16mm.

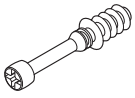
DOOR PANEL

M4x16mm.



HARDWARE

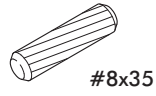
-BODY SET



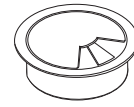
x 42



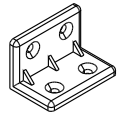
x 42



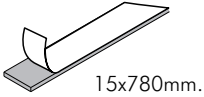
x 46



x 1



x 6



x 12



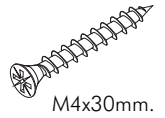
x 11



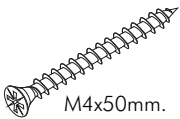
x 24



x 44



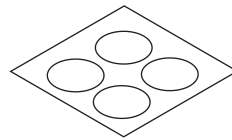
x 12



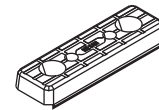
x 4



x 12



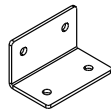
x 4



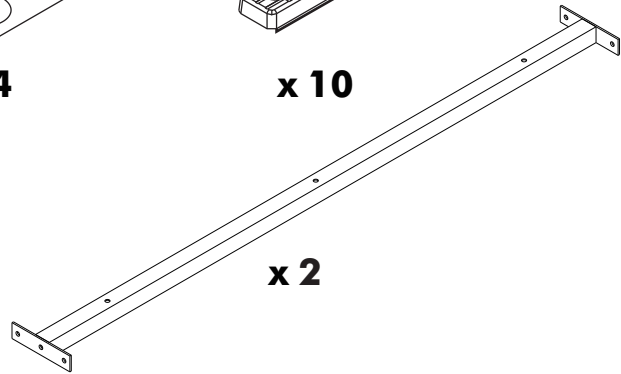
x 10



x 8

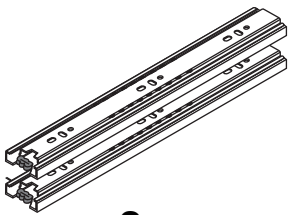


x 1



x 2

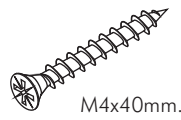
-DRAWER SET



x 2



x 24

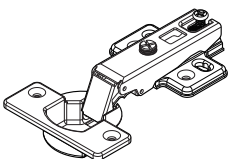


x 20

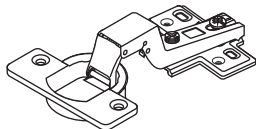


x 6

-DOOR SET



x 2



x 4



x 36

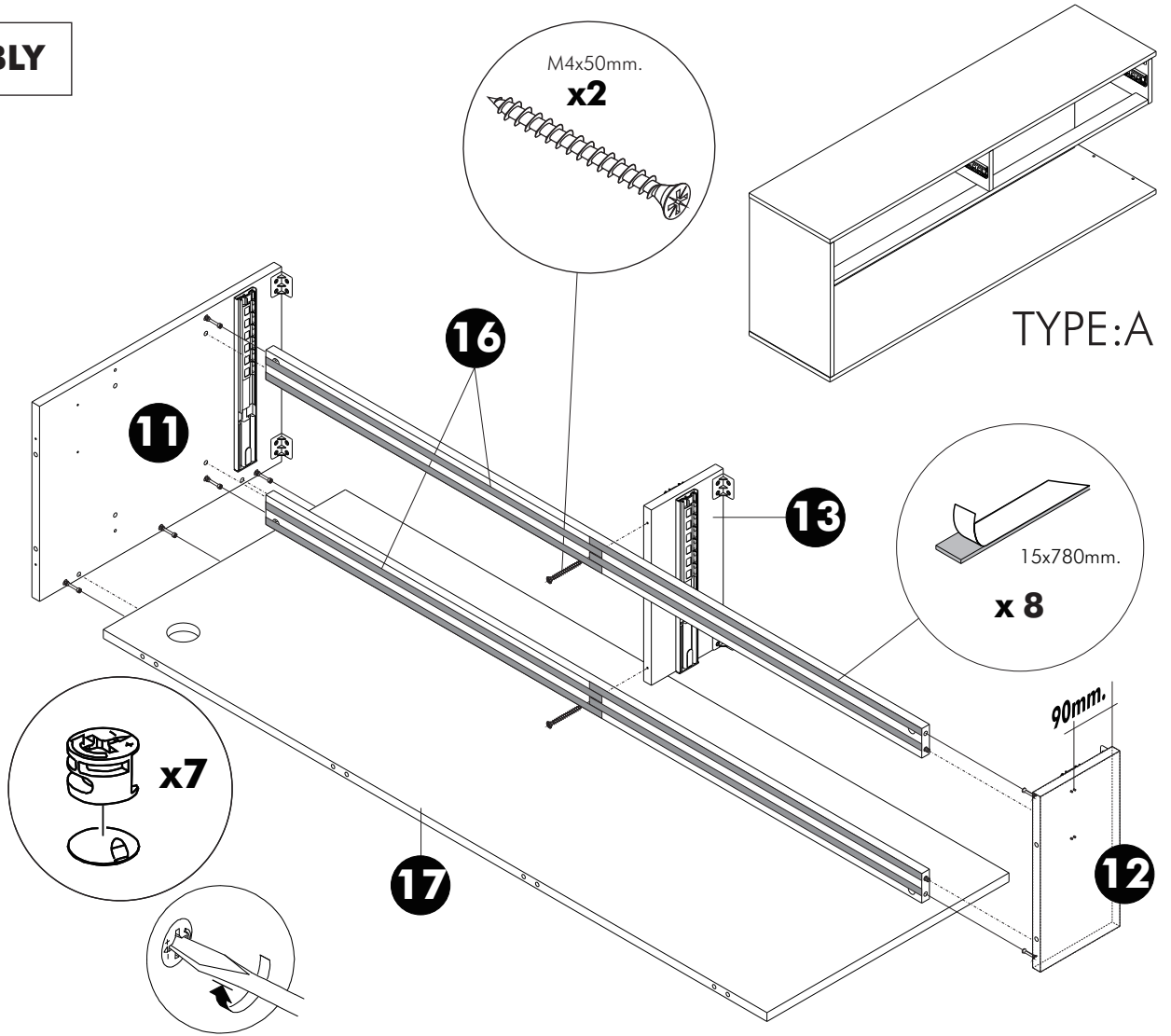


x 6

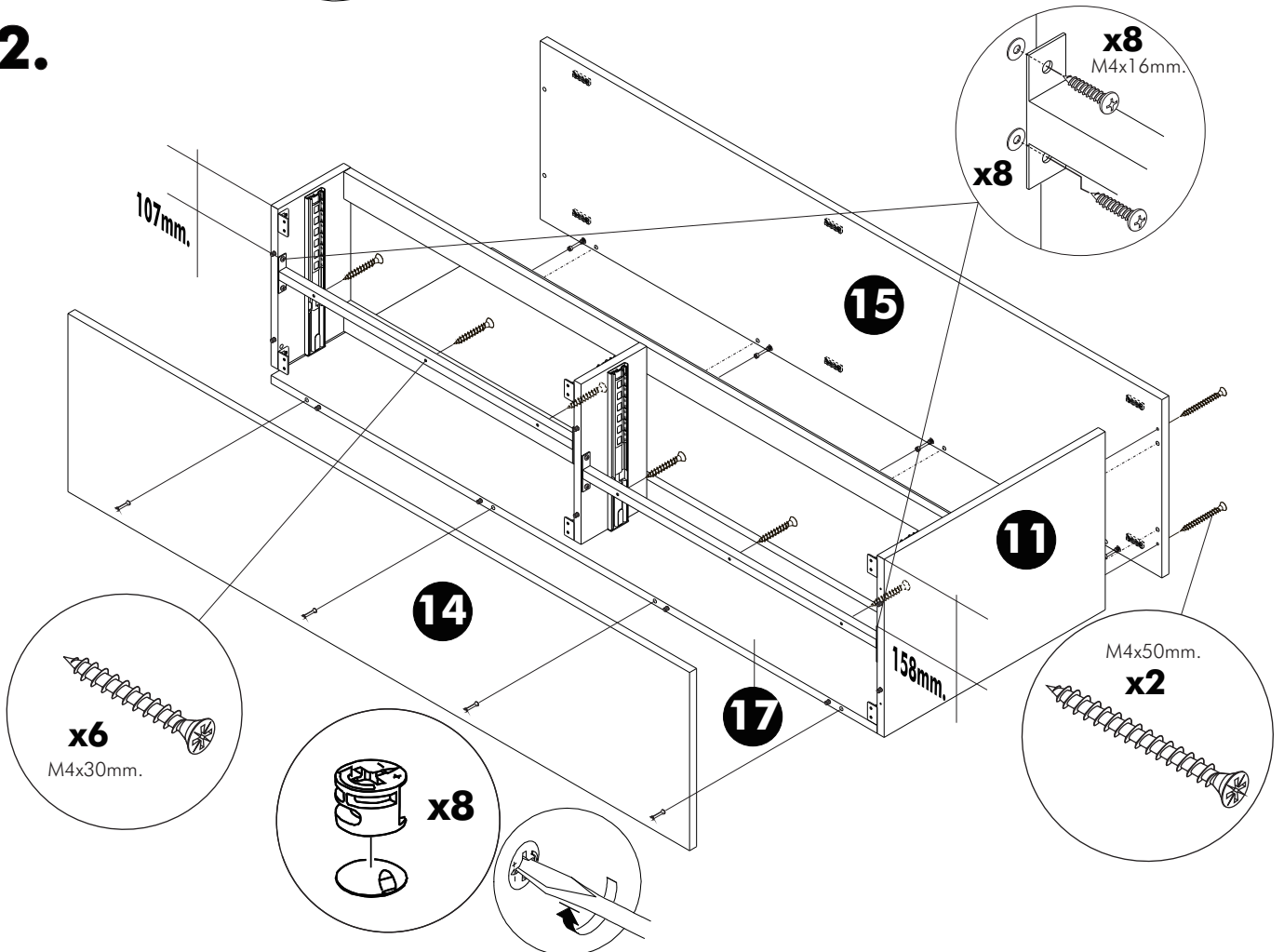
ASSEMBLY

-BODY SET

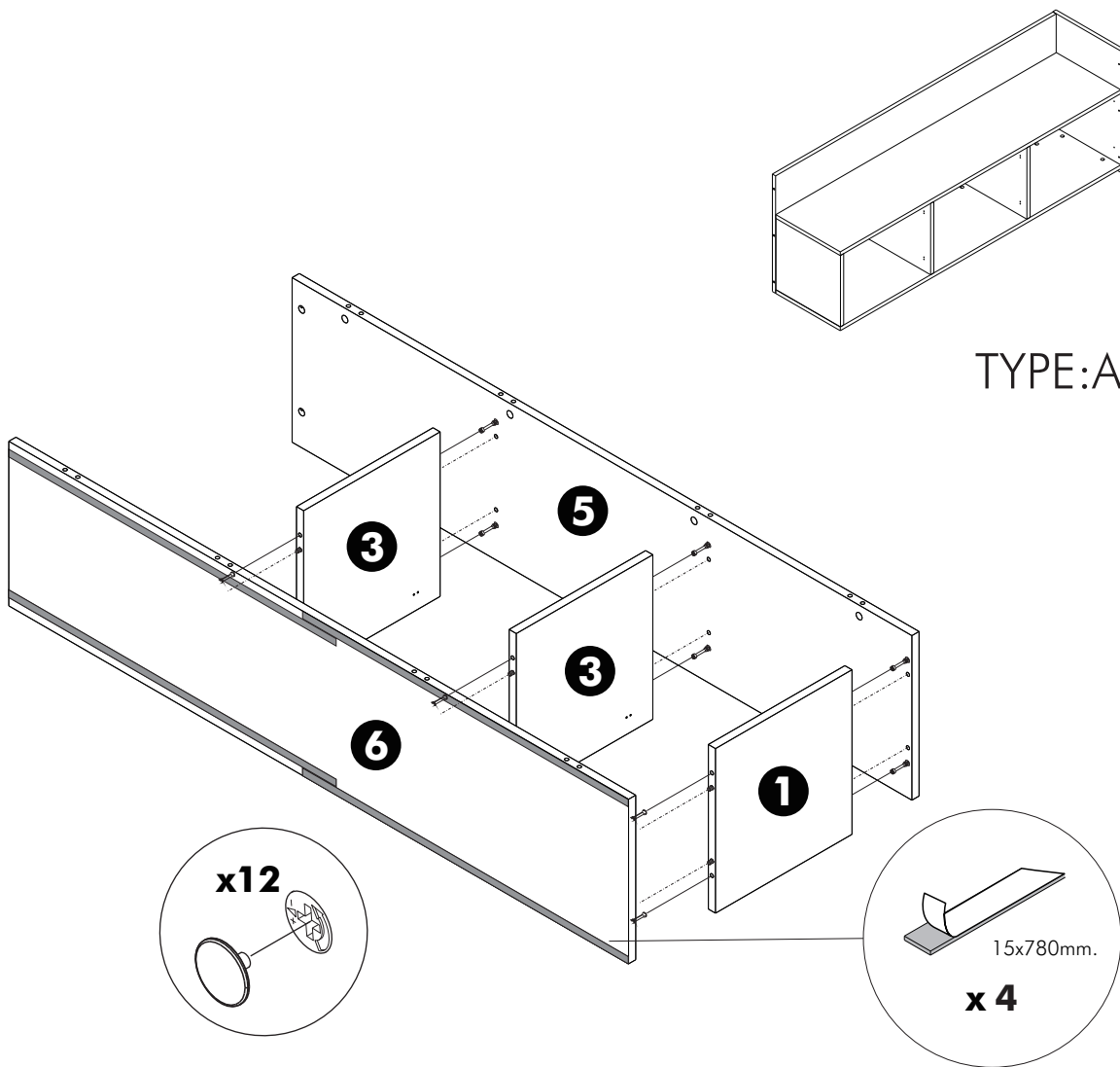
1.



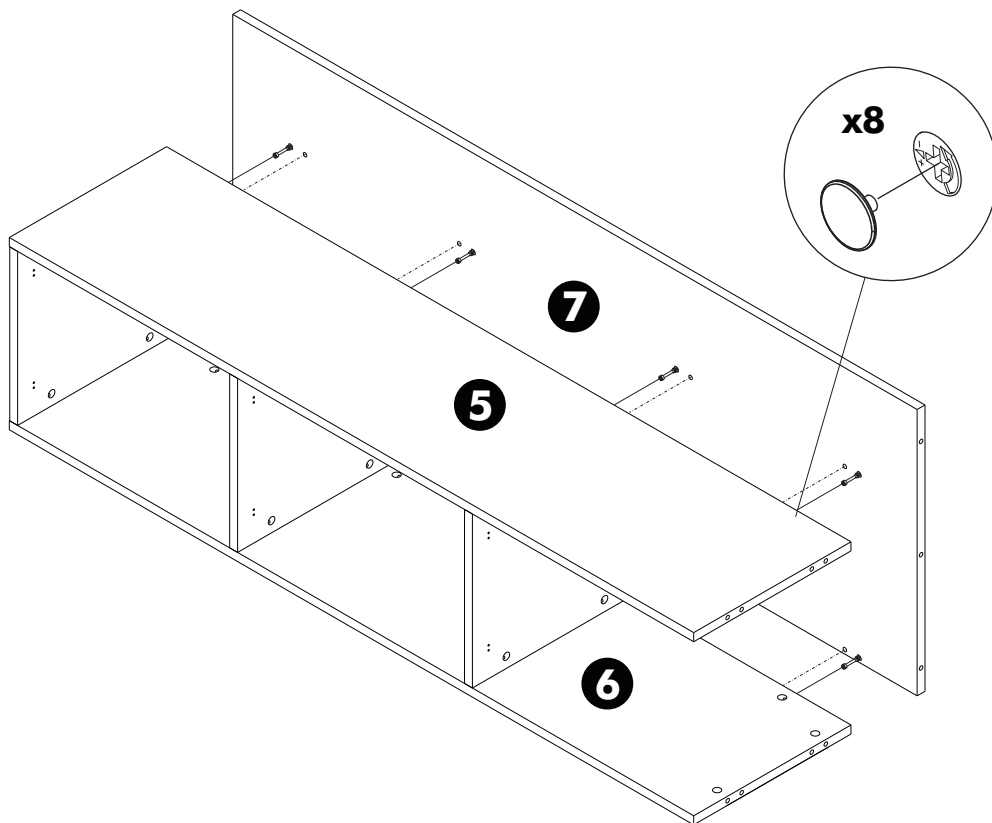
2.



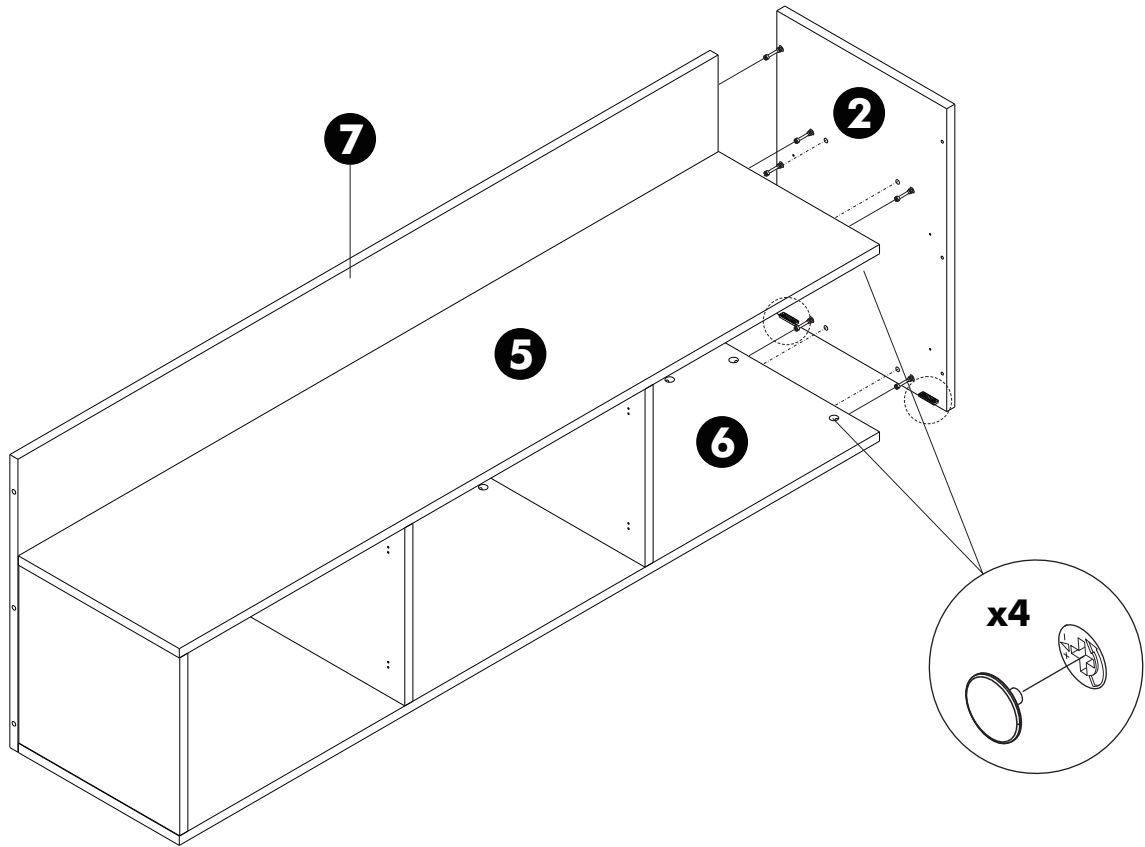
3.



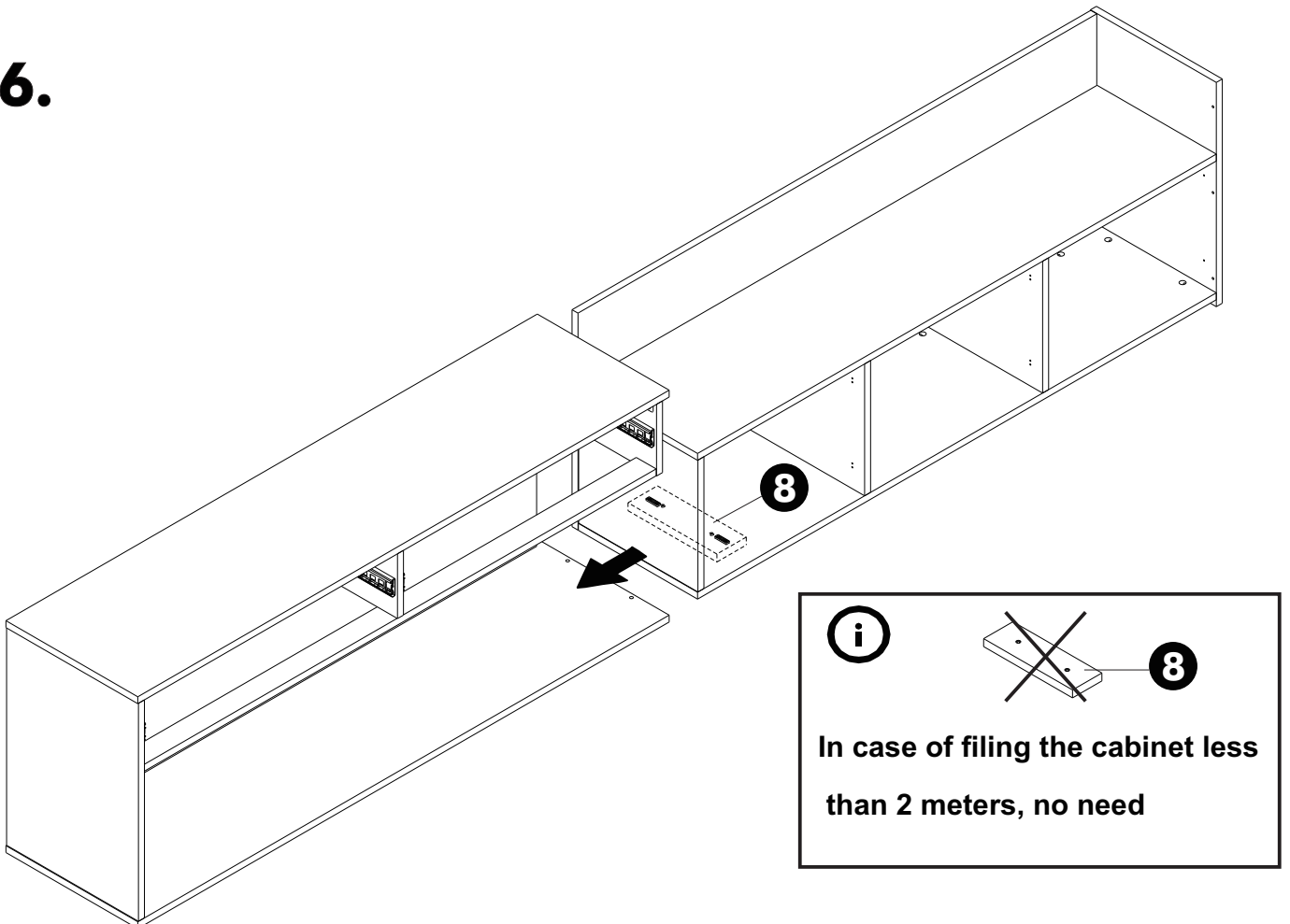
4.



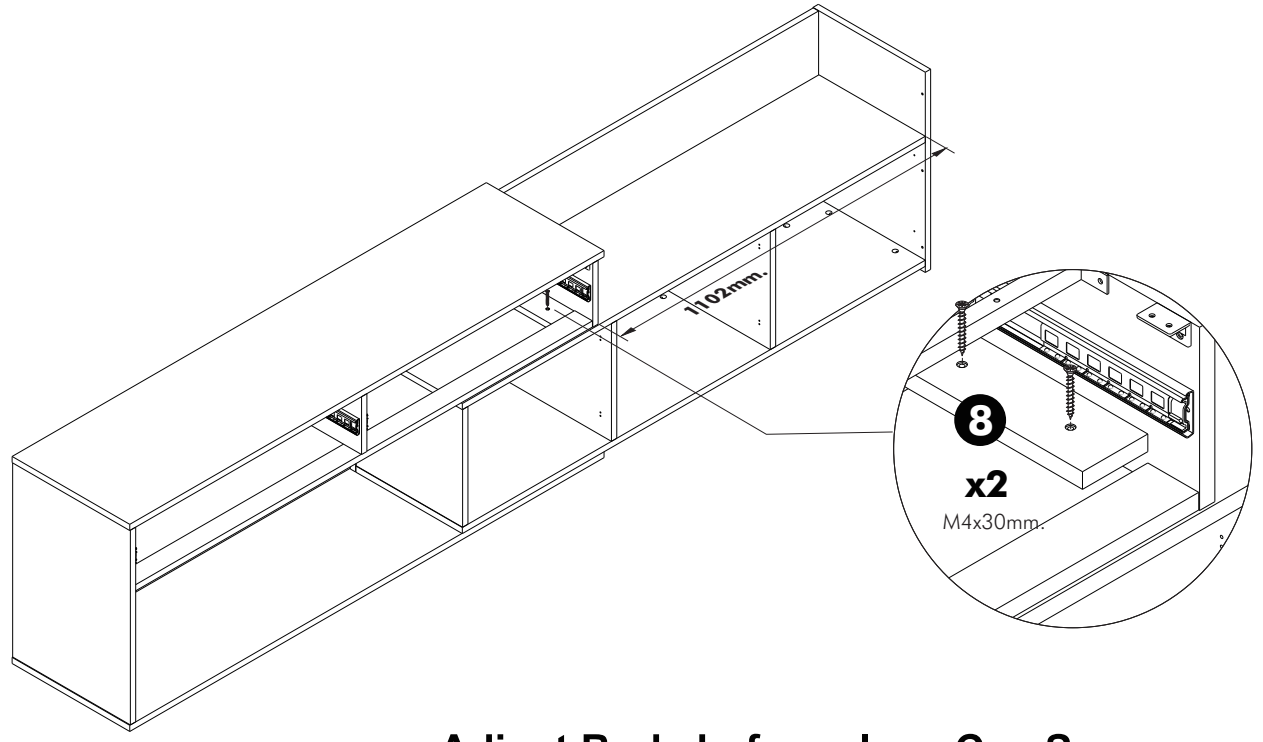
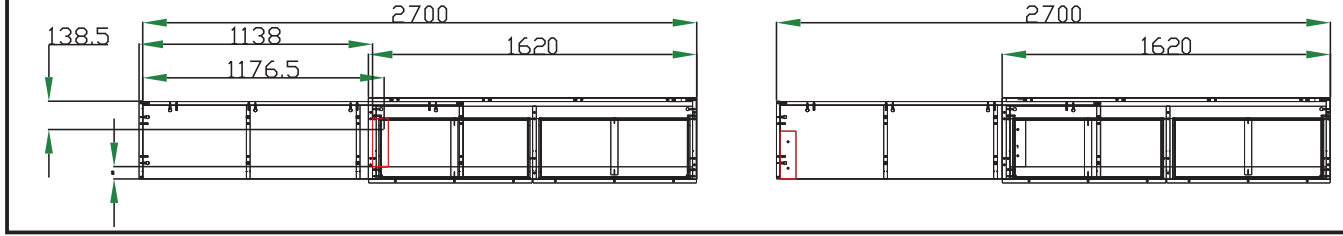
5.



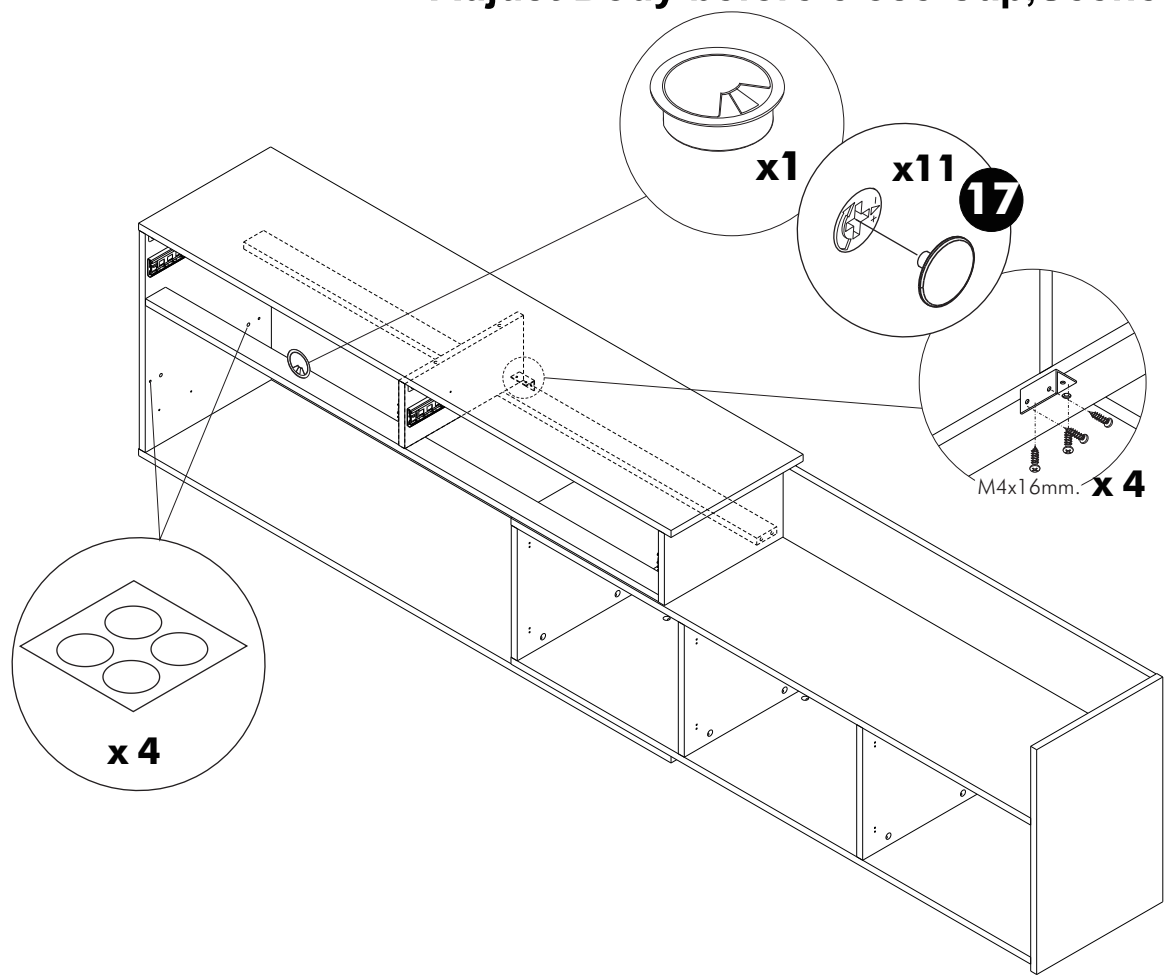
6.



7. **i** MAX



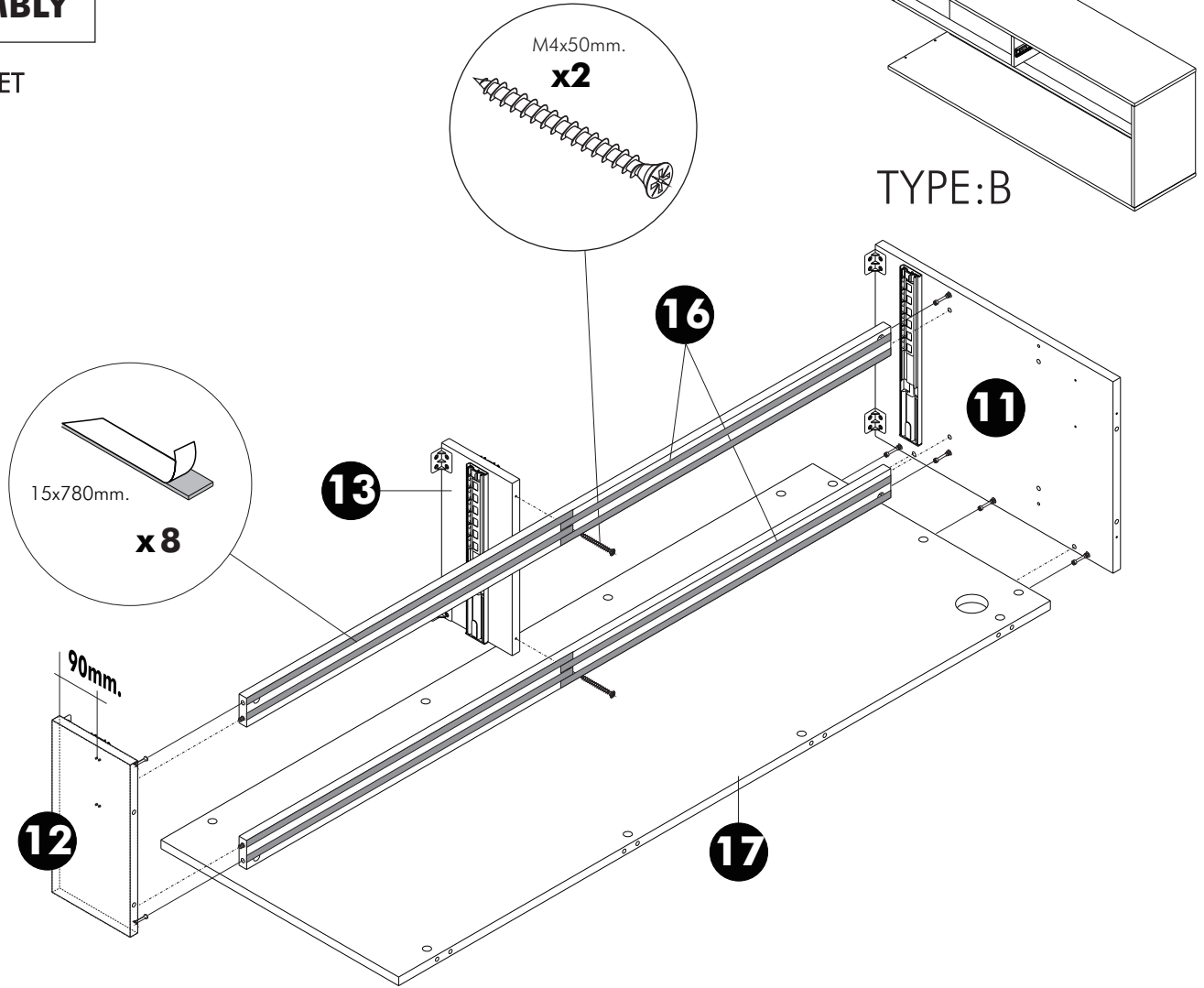
Adjust Body before close Cap,Scene



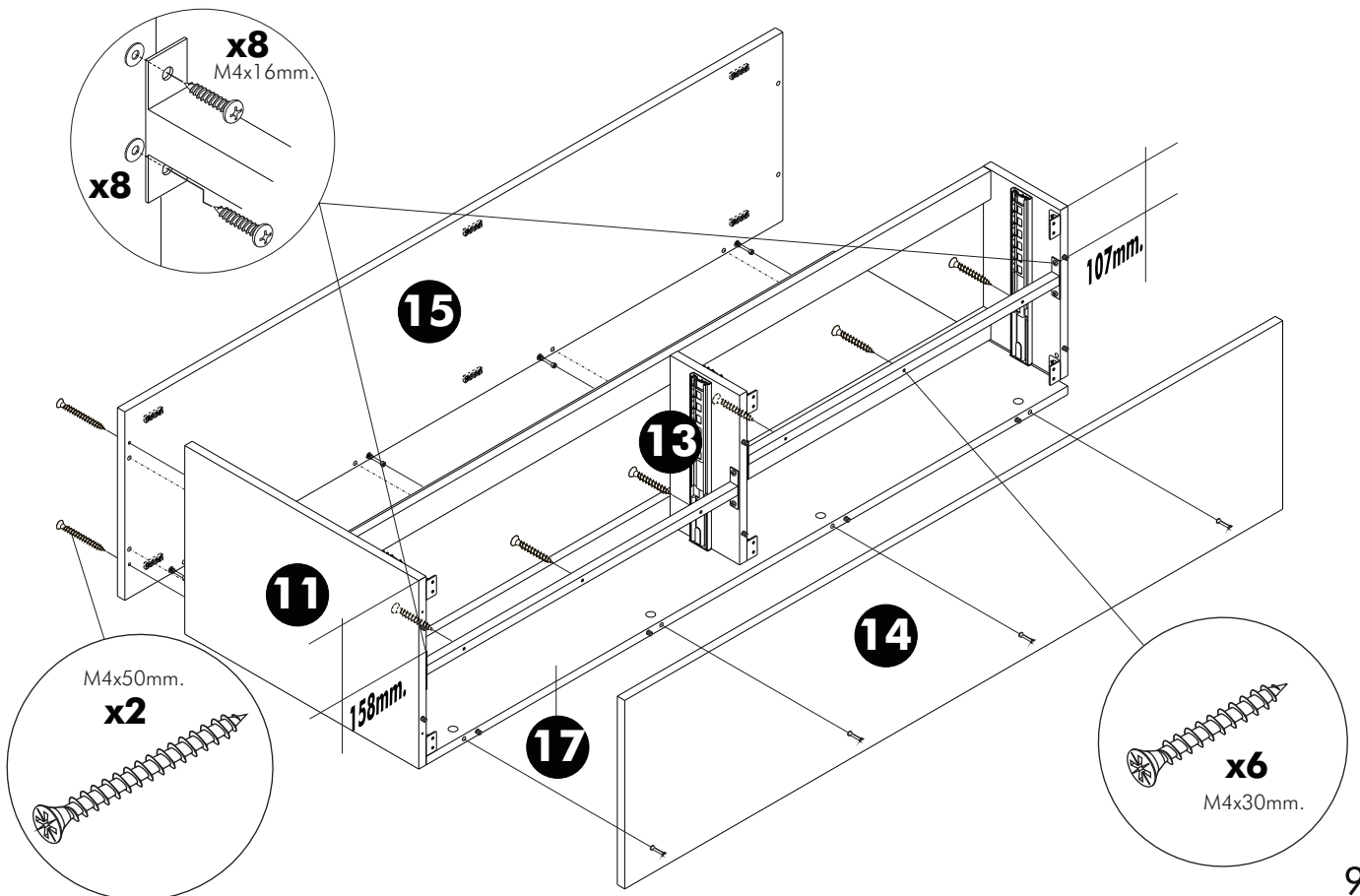
ASSEMBLY

-BODY SET

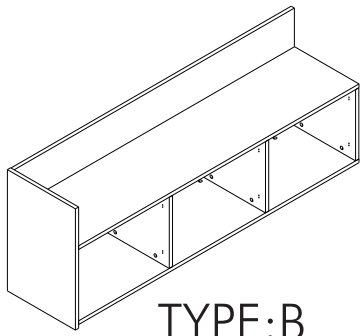
1.



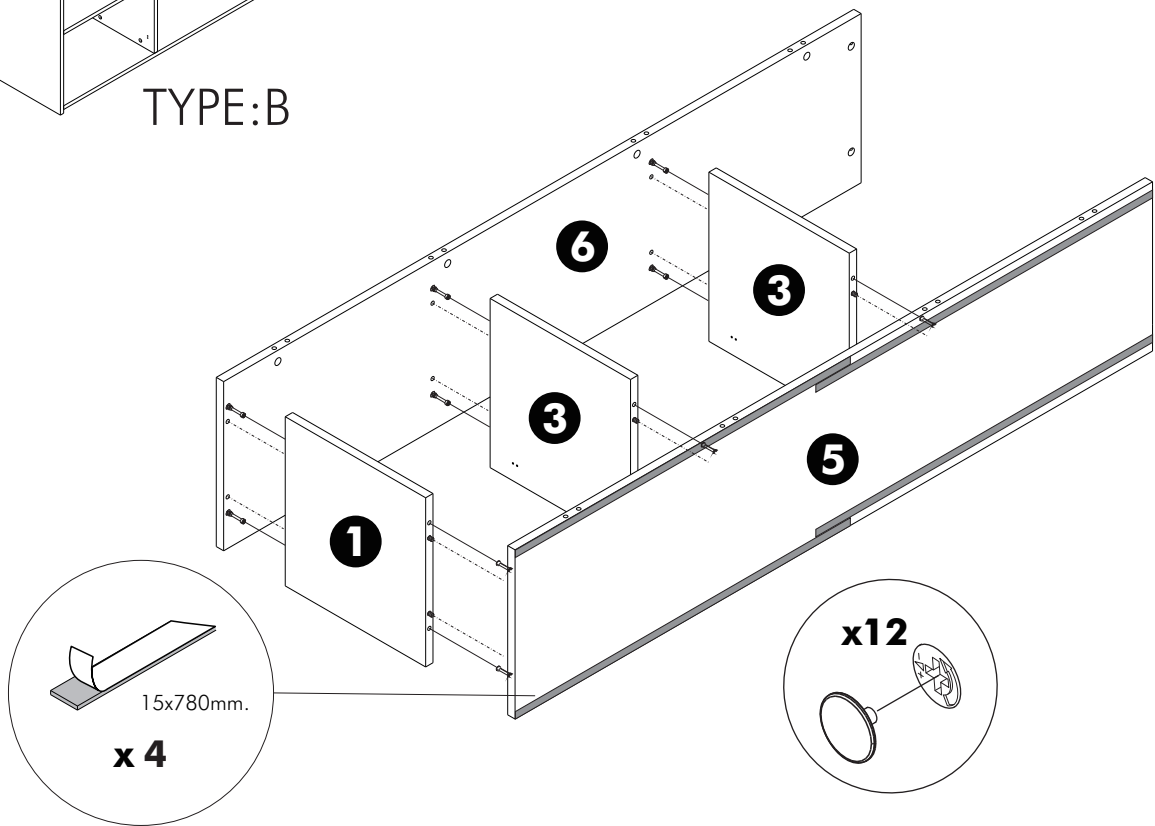
2.



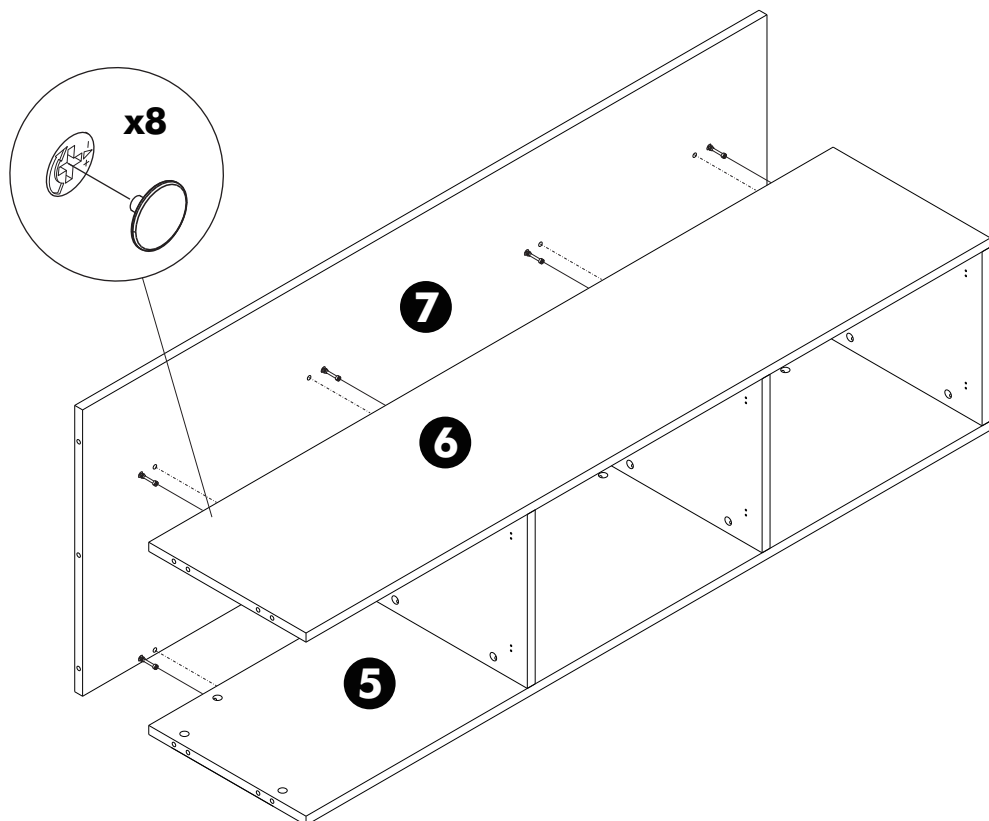
3.



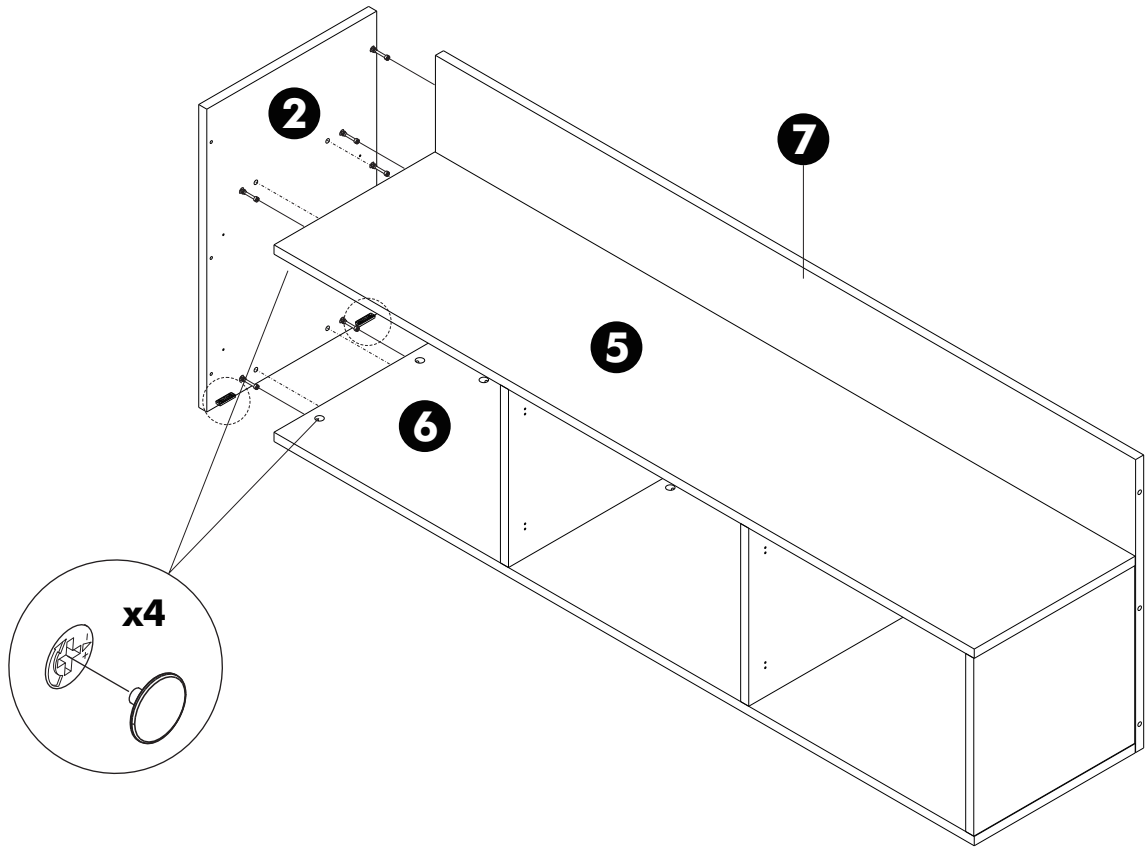
TYPE:B



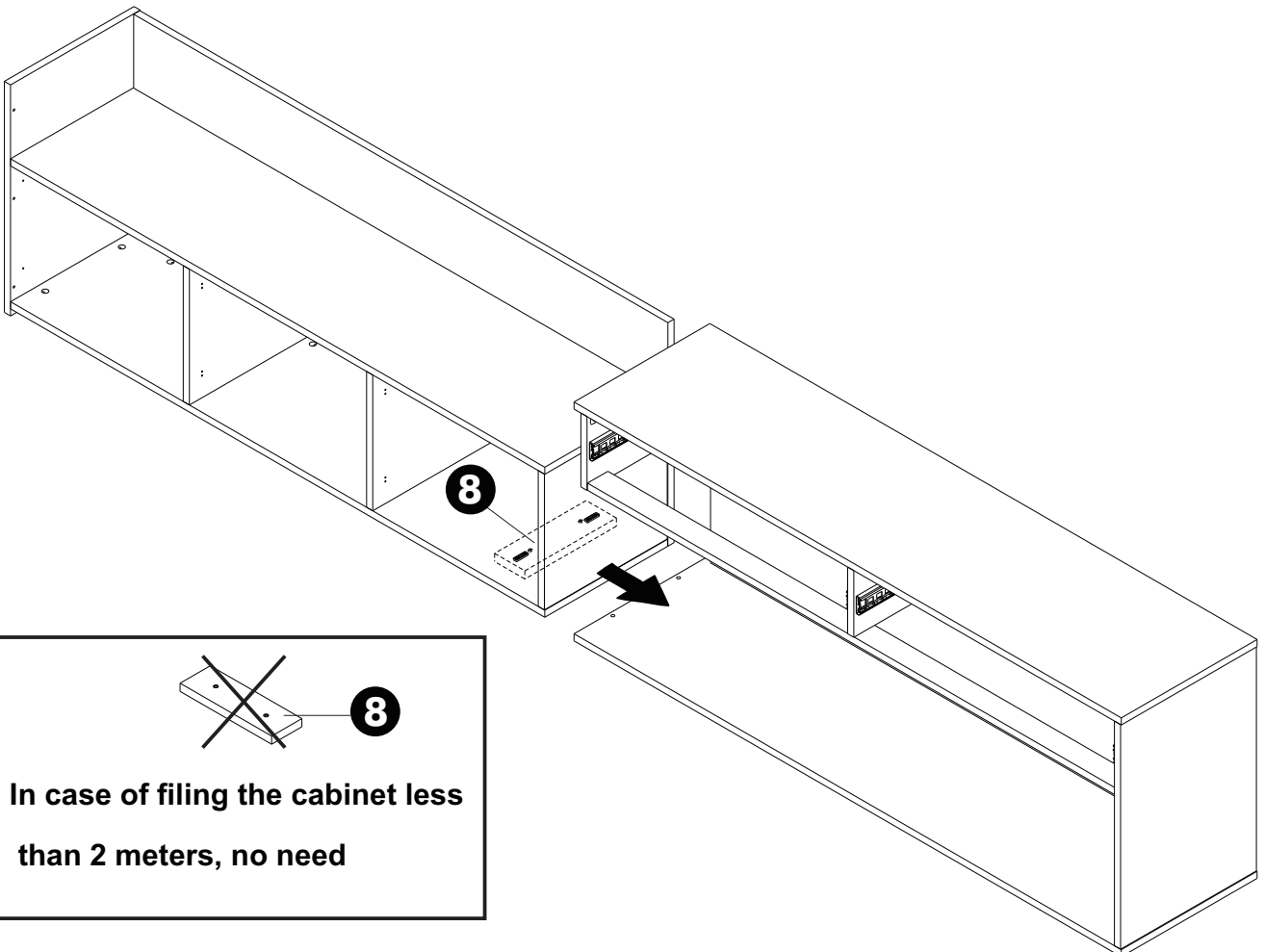
4.



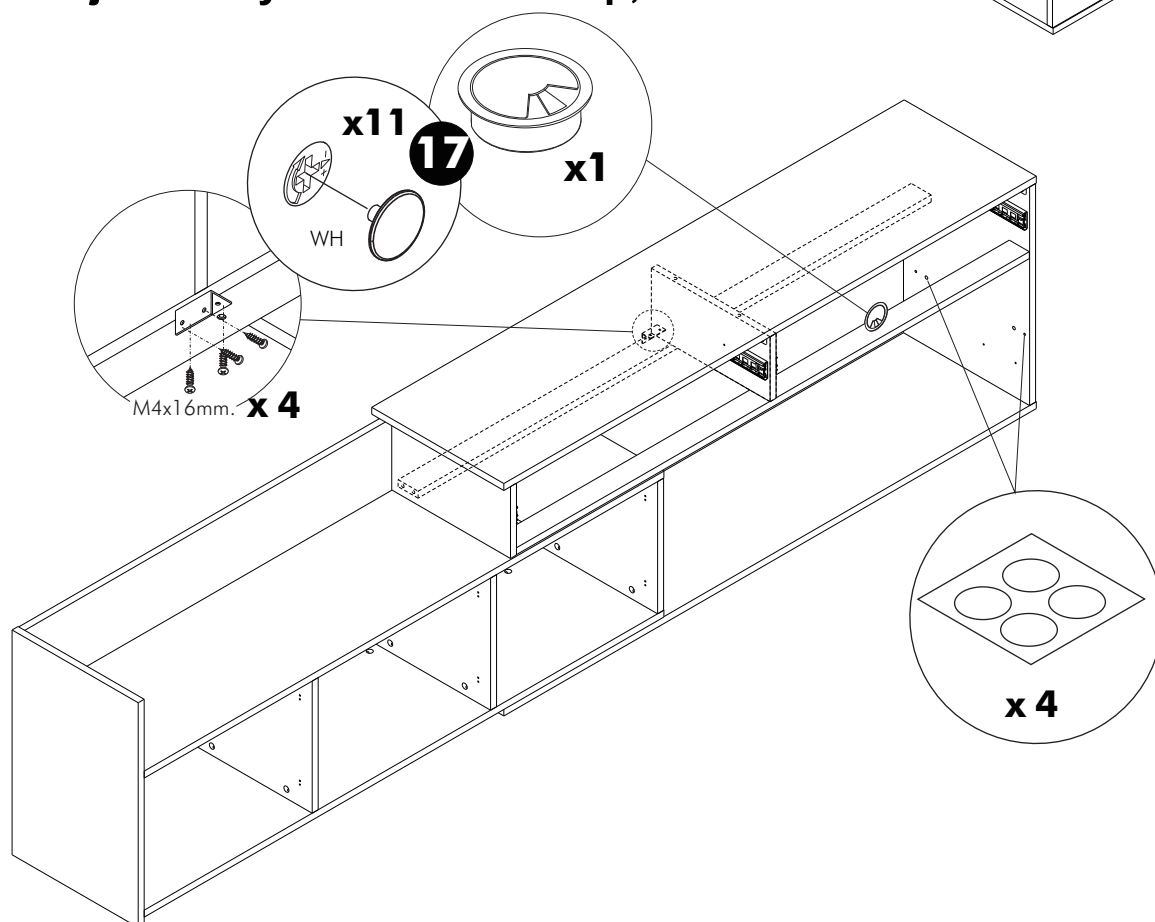
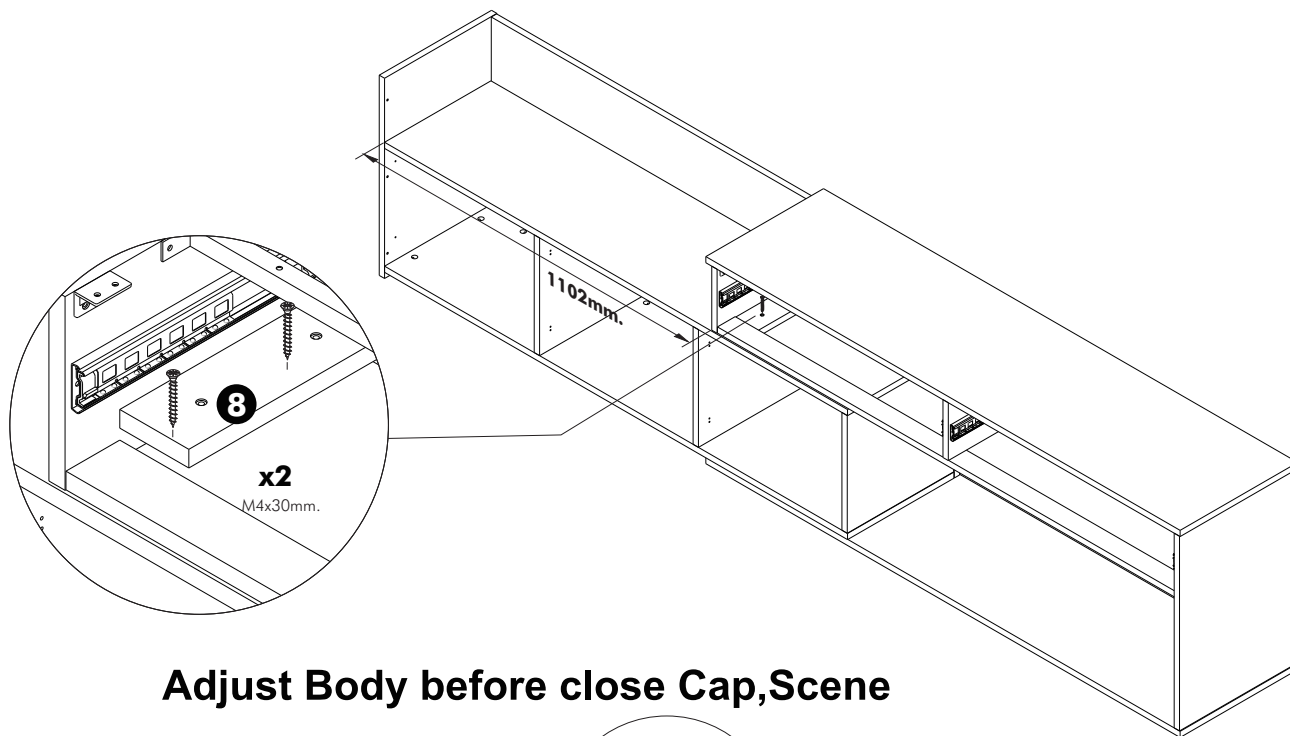
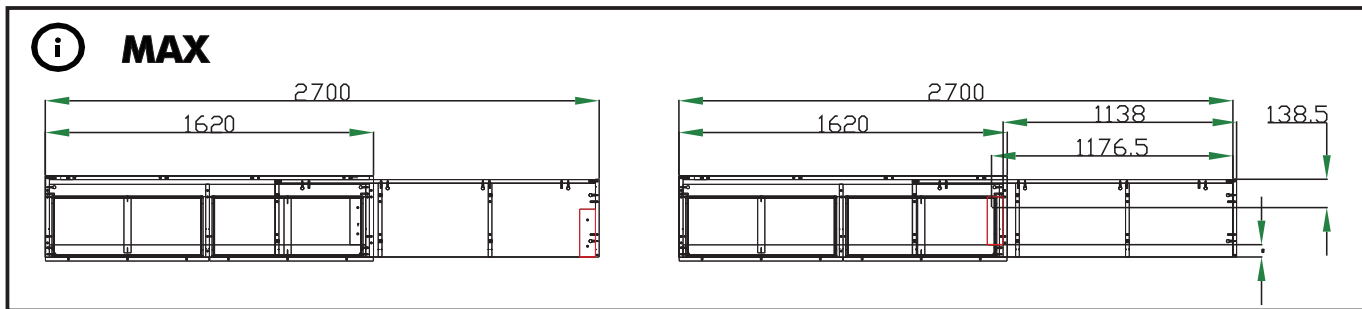
5.



6.



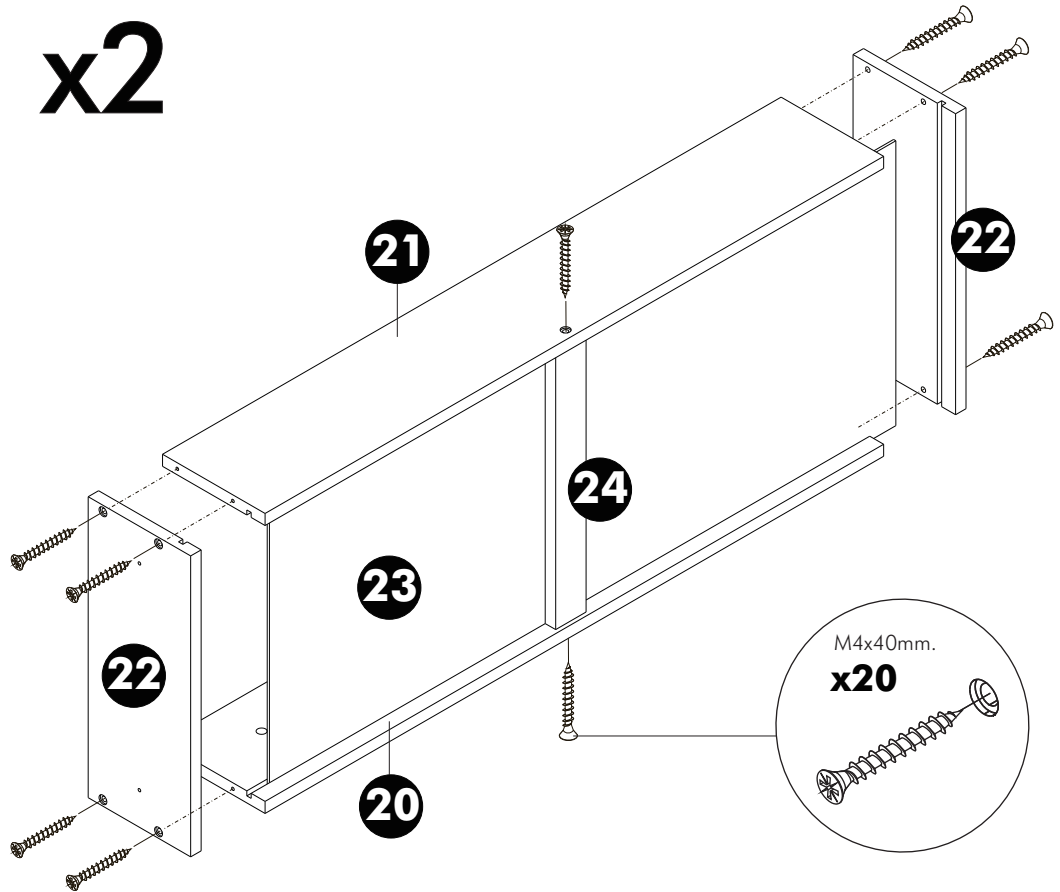
7.



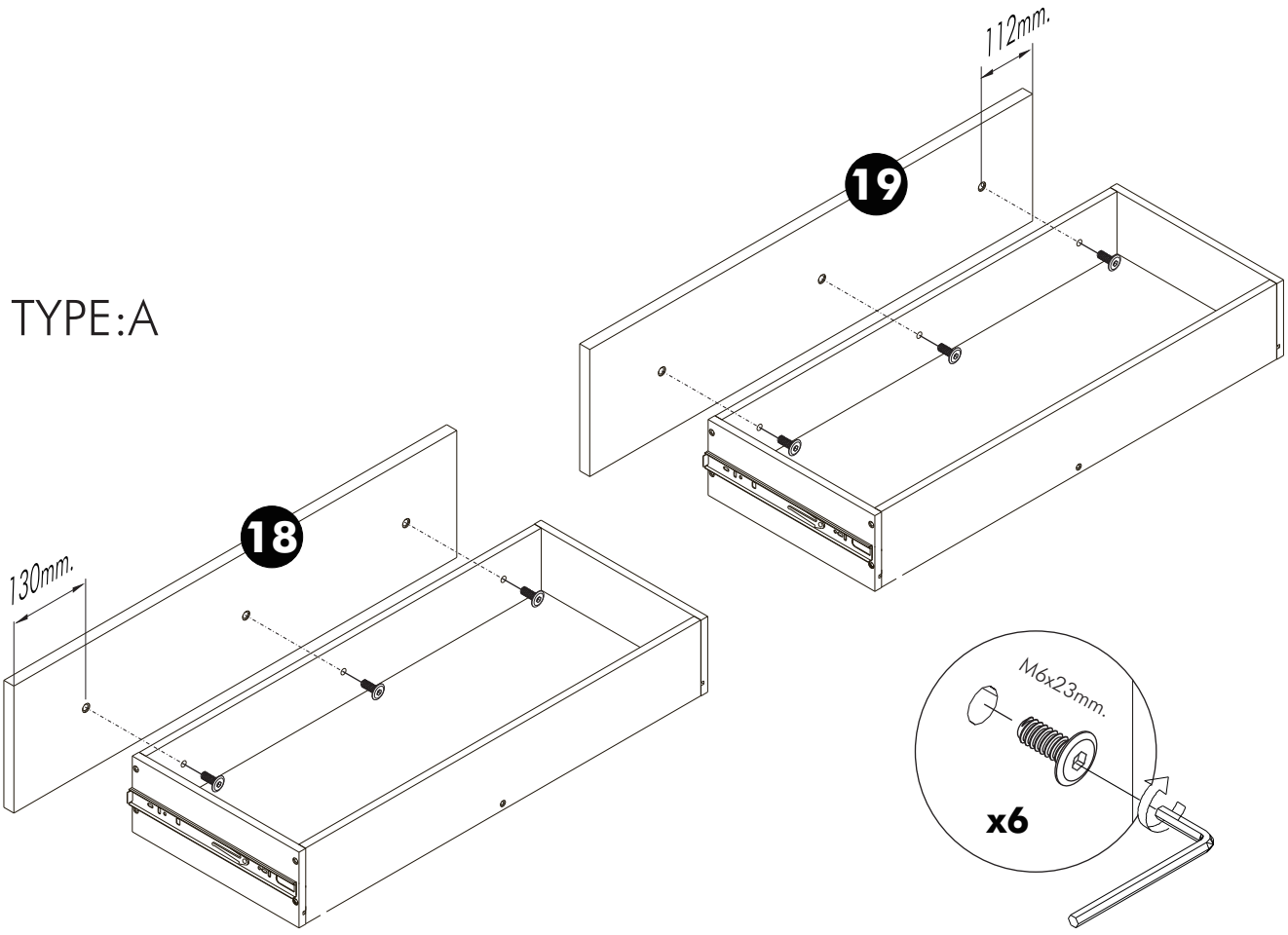
ASSEMBLY

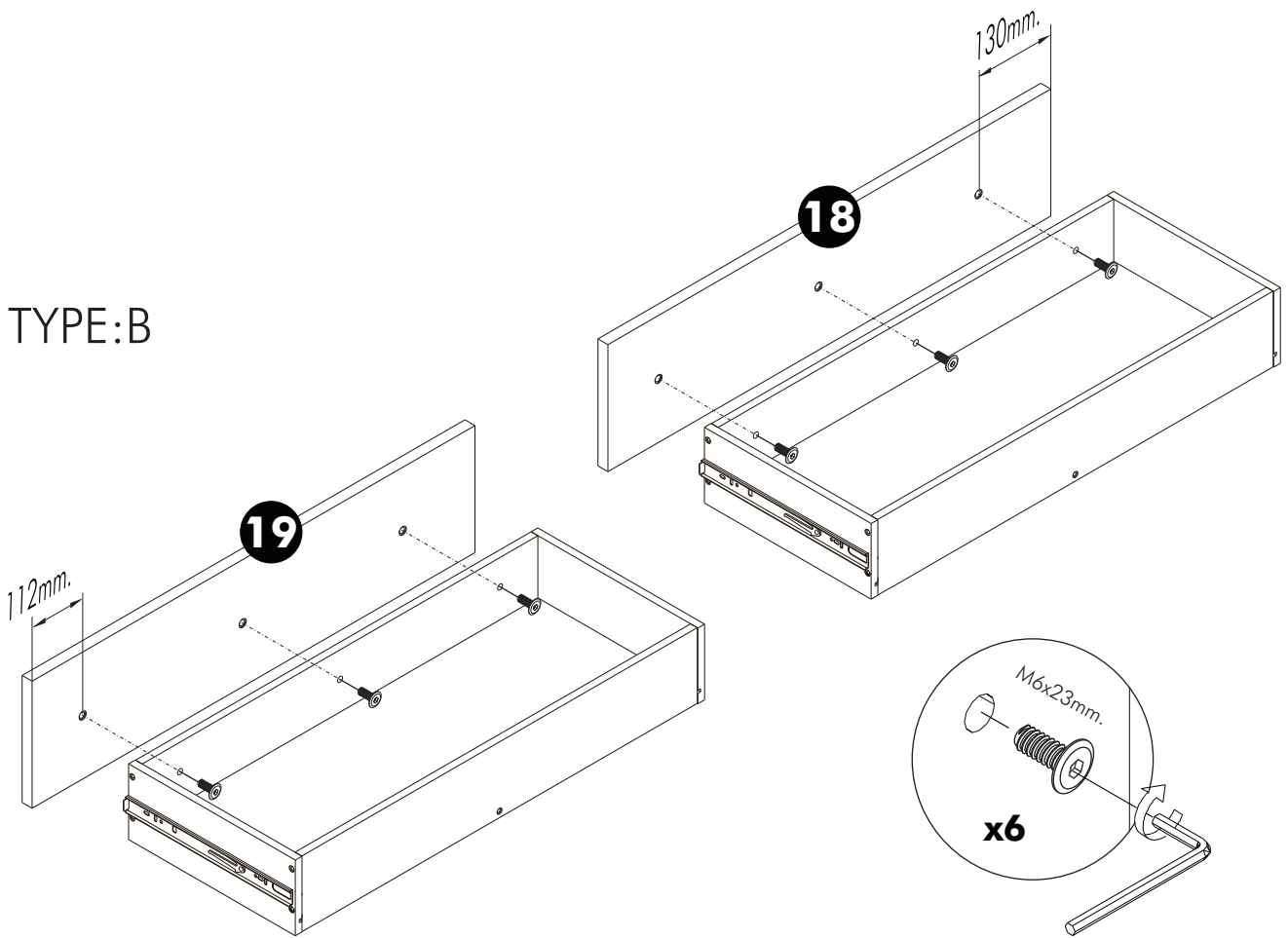
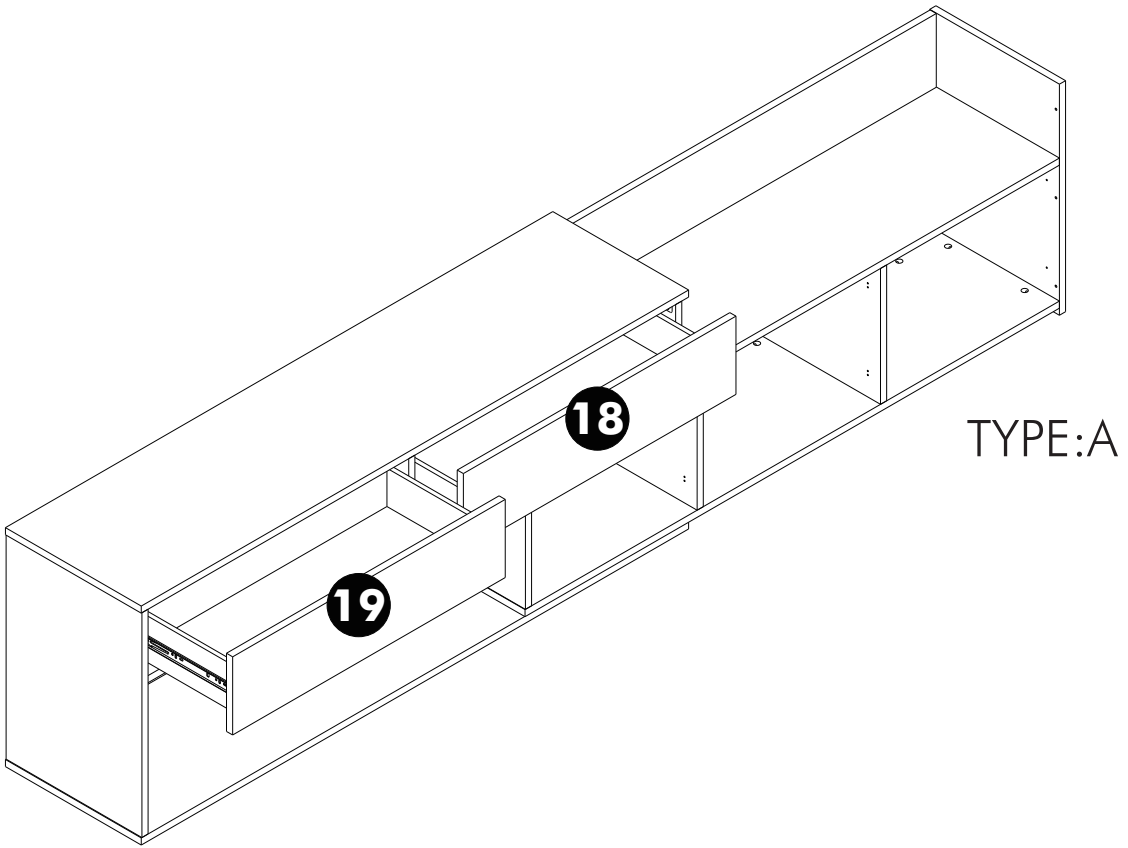
-DRAWER SET

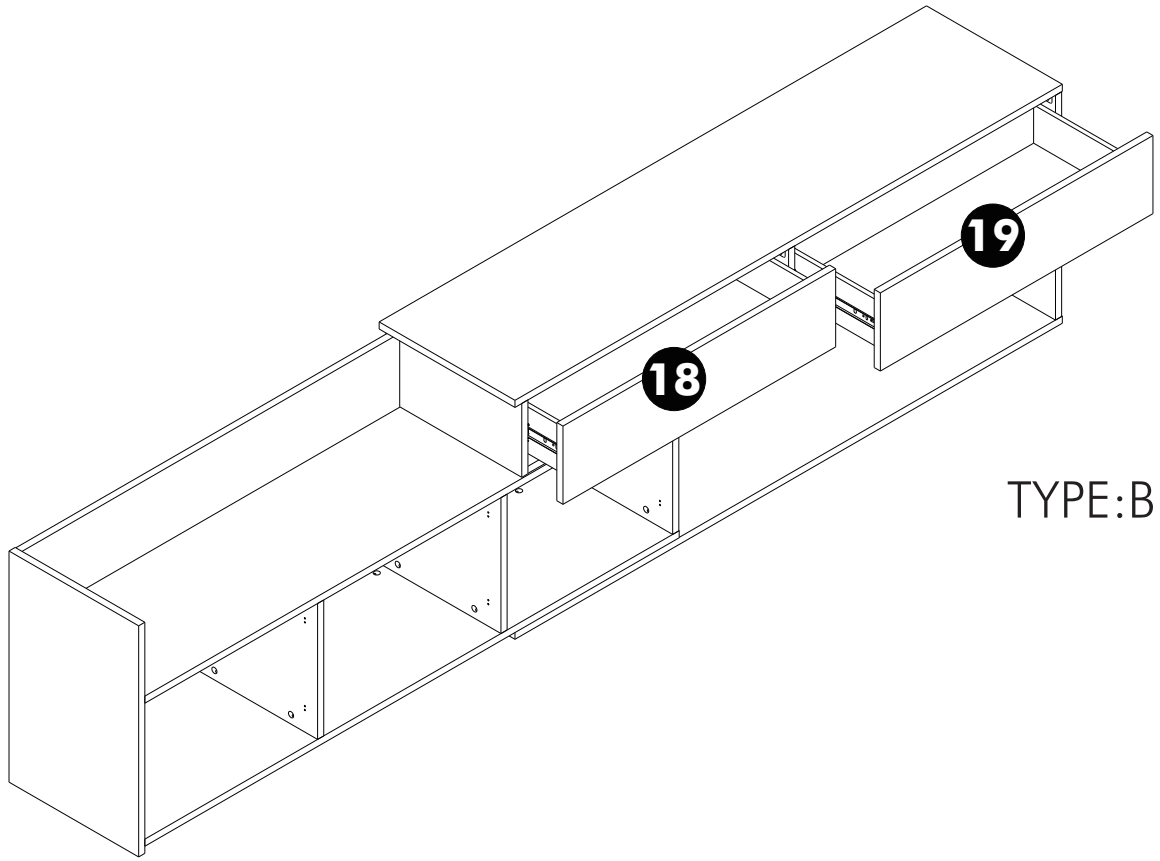
x2



TYPE:A





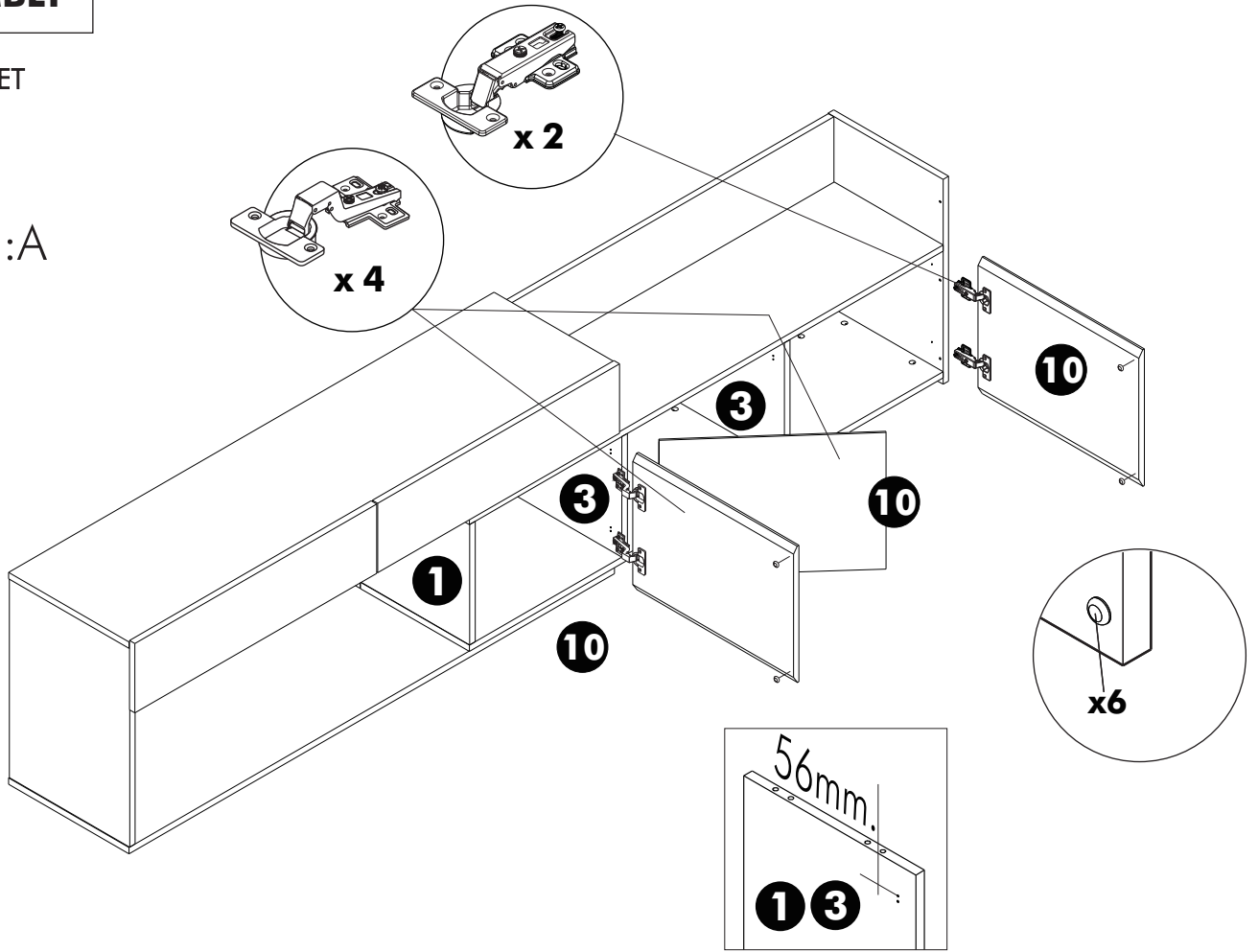


TYPE:B

ASSEMBLY

-DOOR SET

TYPE:A



TYPE:B

