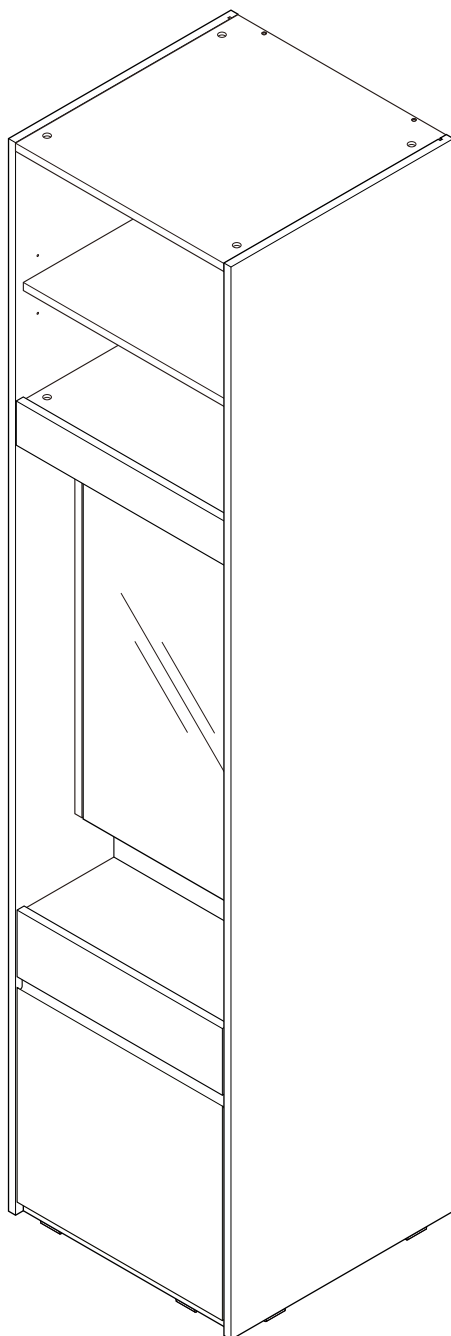
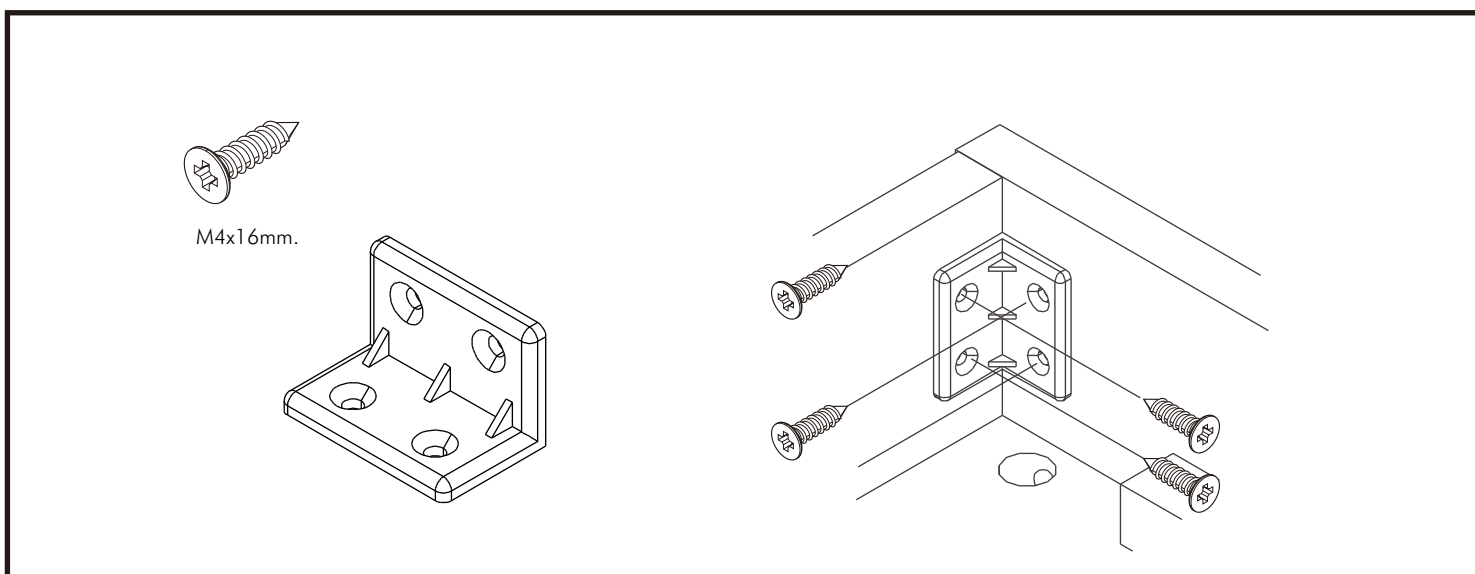
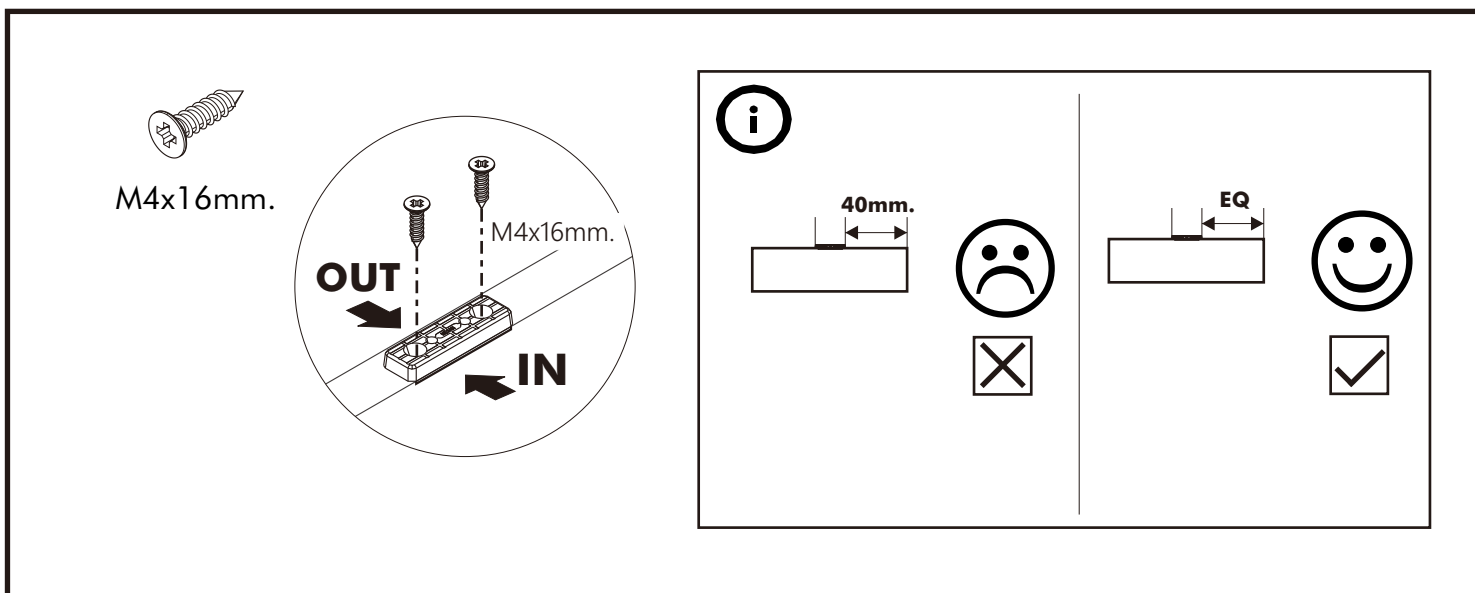
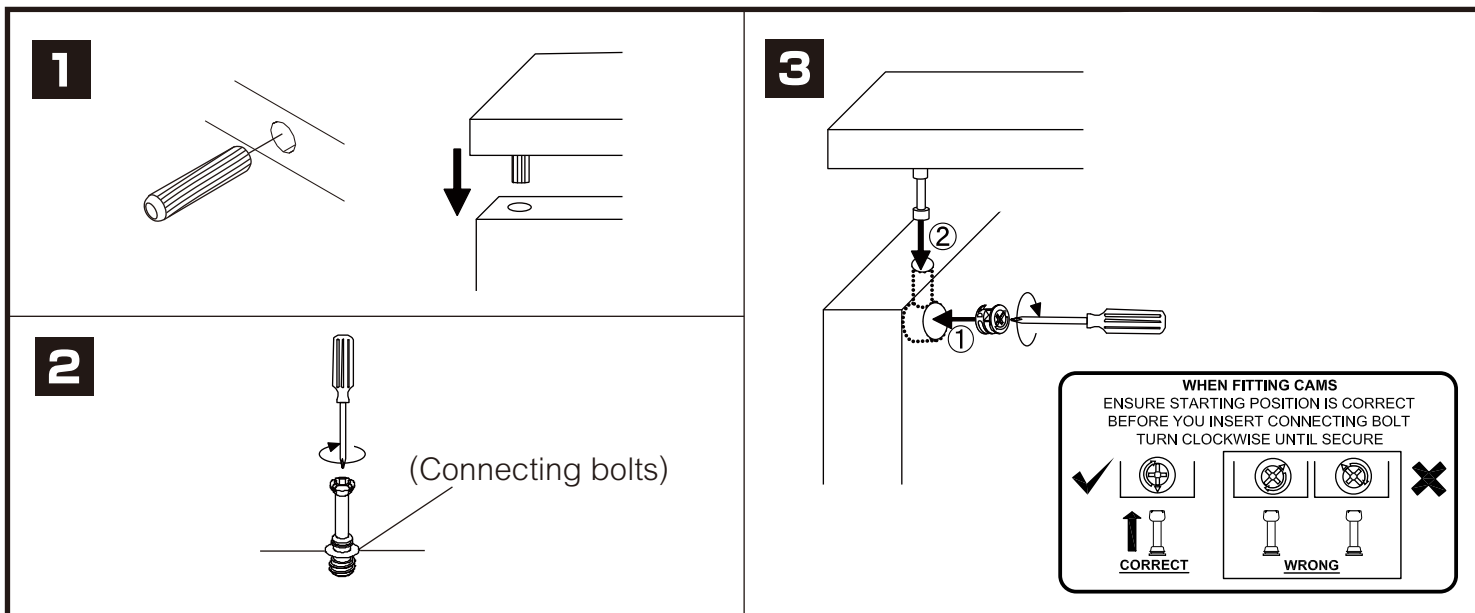


ITAL-SMART

Dressing table 57cm.

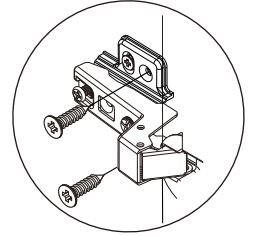
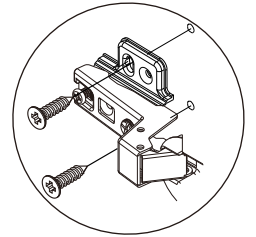
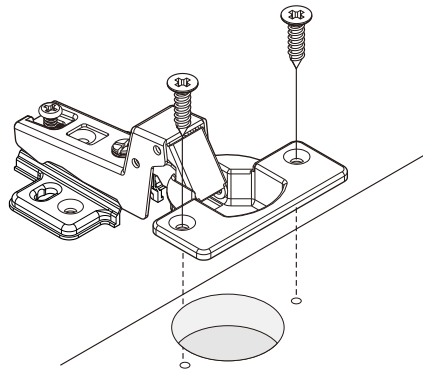
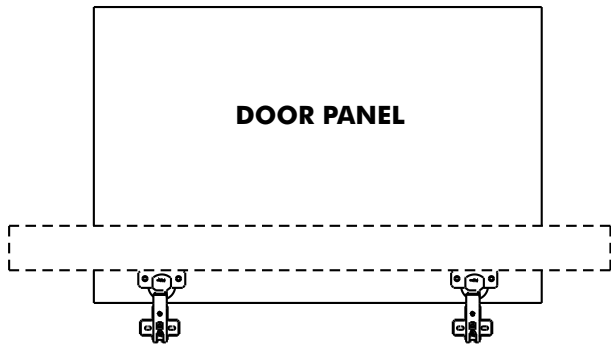


CONNECT SYSTEM

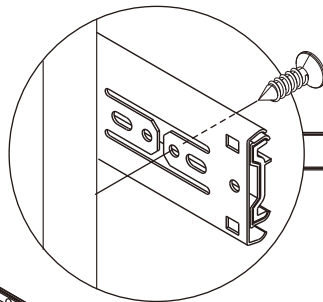
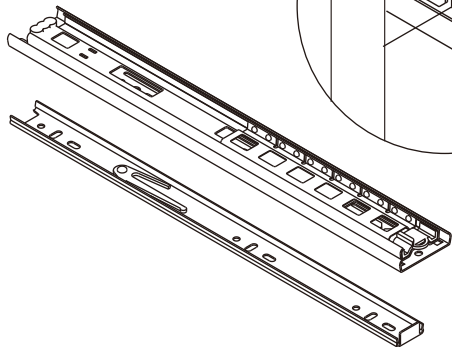




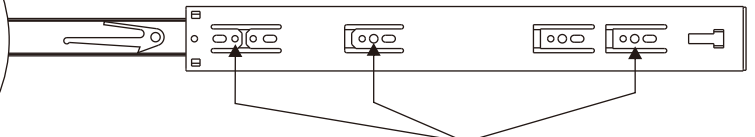
M4x16mm.



M3.5x13mm.

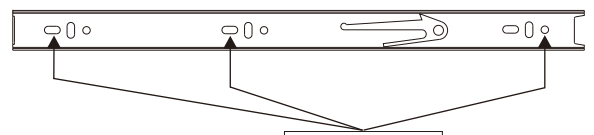


1



Use these holes

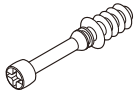
2



Use these holes

HARDWARE

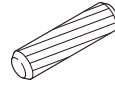
-BODY SET



x 16



x 16



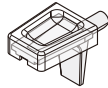
x 46



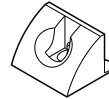
x 1



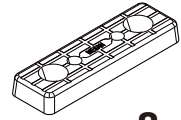
x 1



x 16



x 10



x 8



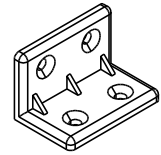
Ø 11mm.

x 19

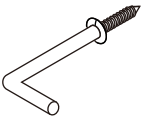


Ø 3.5cm.

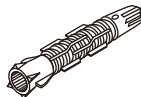
x 4



x 22



x 5



x 2



M3.5x20mm.

x 10



M4x16mm.

x 108



M4x30mm.

x 5



M4x50mm.

x 2



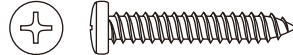
M3.5x13mm.

x 1



M4x16mm.

x 6



M4x25mm.

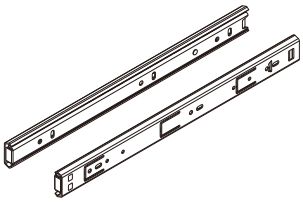
x 19



M5x70mm.

x 2

-DRAWER SET



x 1 set



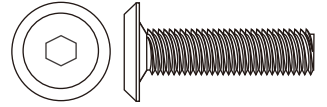
M3.5x13mm.

x 12



M4x40mm.

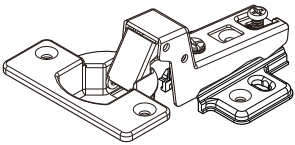
x 10



M6x23mm.

x 2

-DOOR SET



x 4



M4x16mm.

x 24

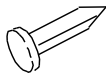


x 4

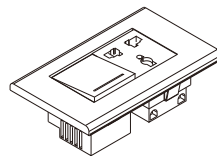
-LAMP SET



x 6



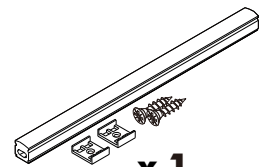
x 6



x 1



x 1



x 1



M3.5x13mm.

x 4



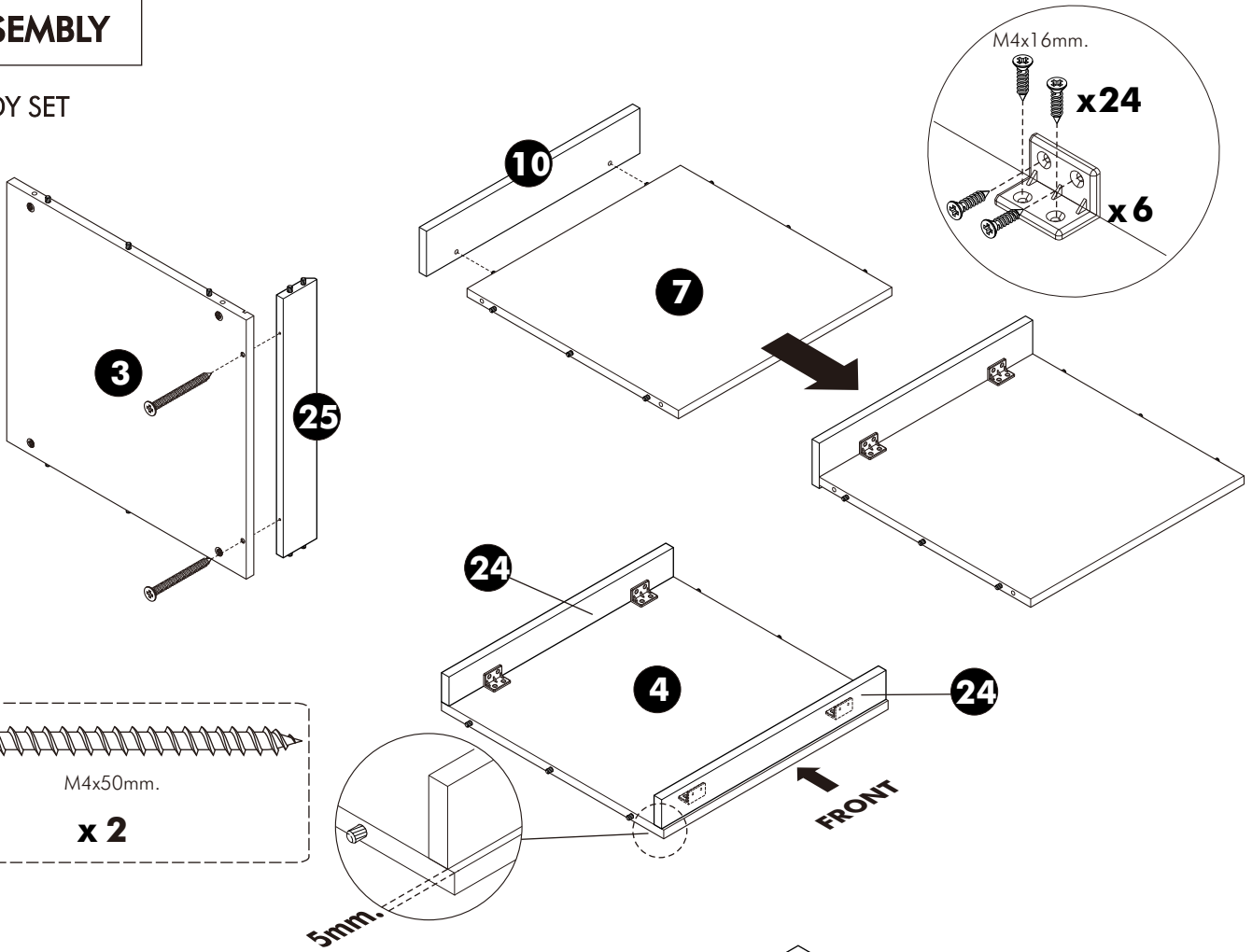
#5x5/8"

x 1

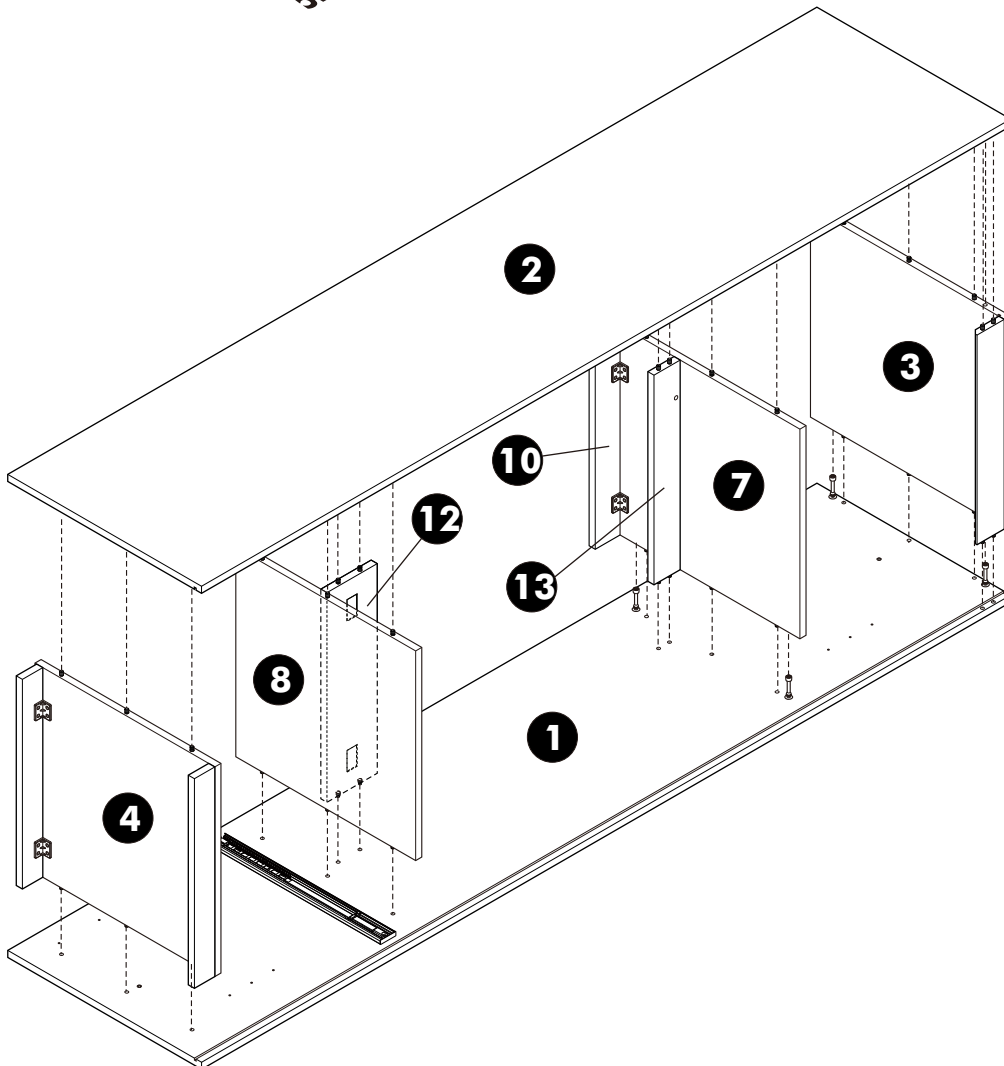
ASSEMBLY

-BODY SET

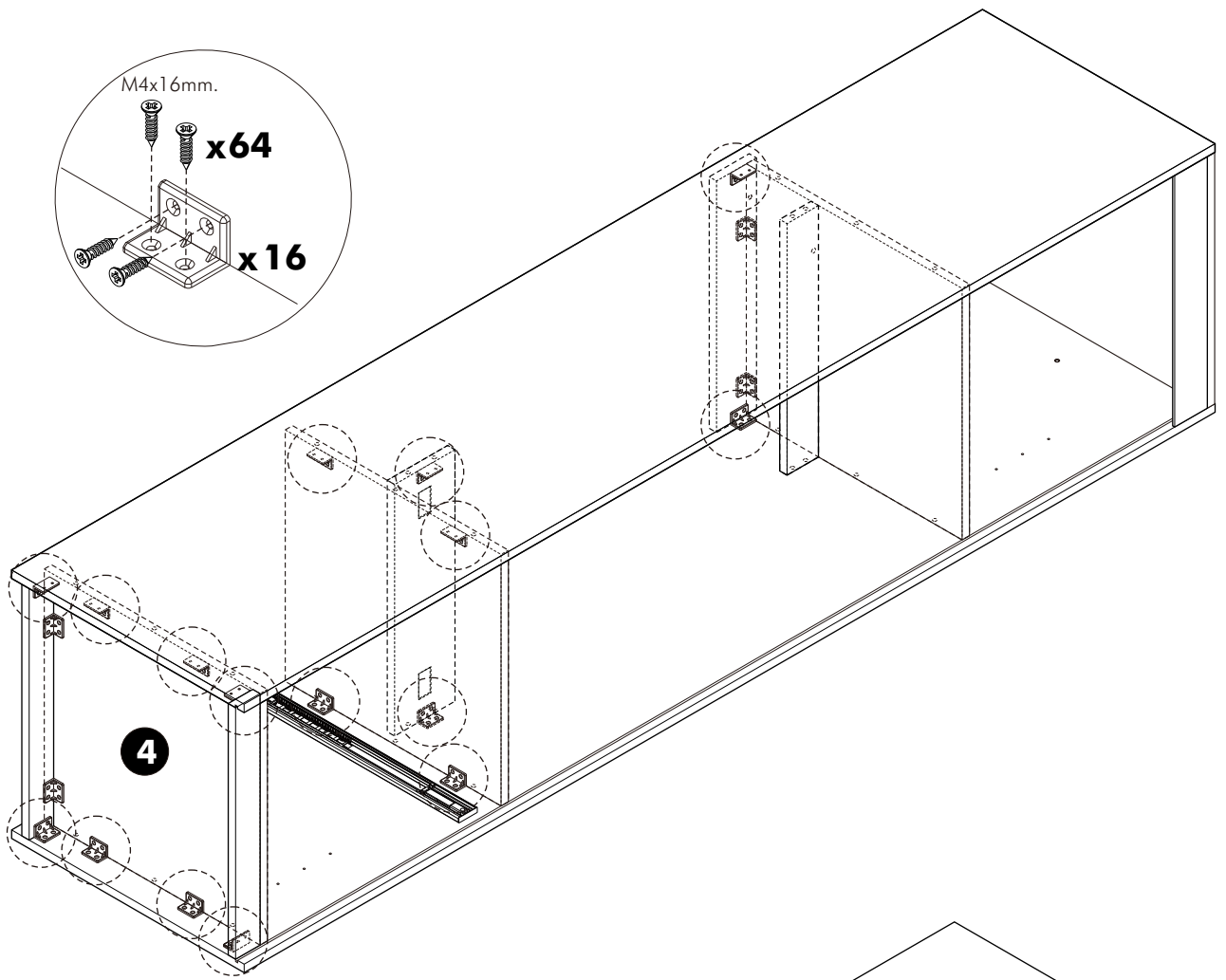
1.



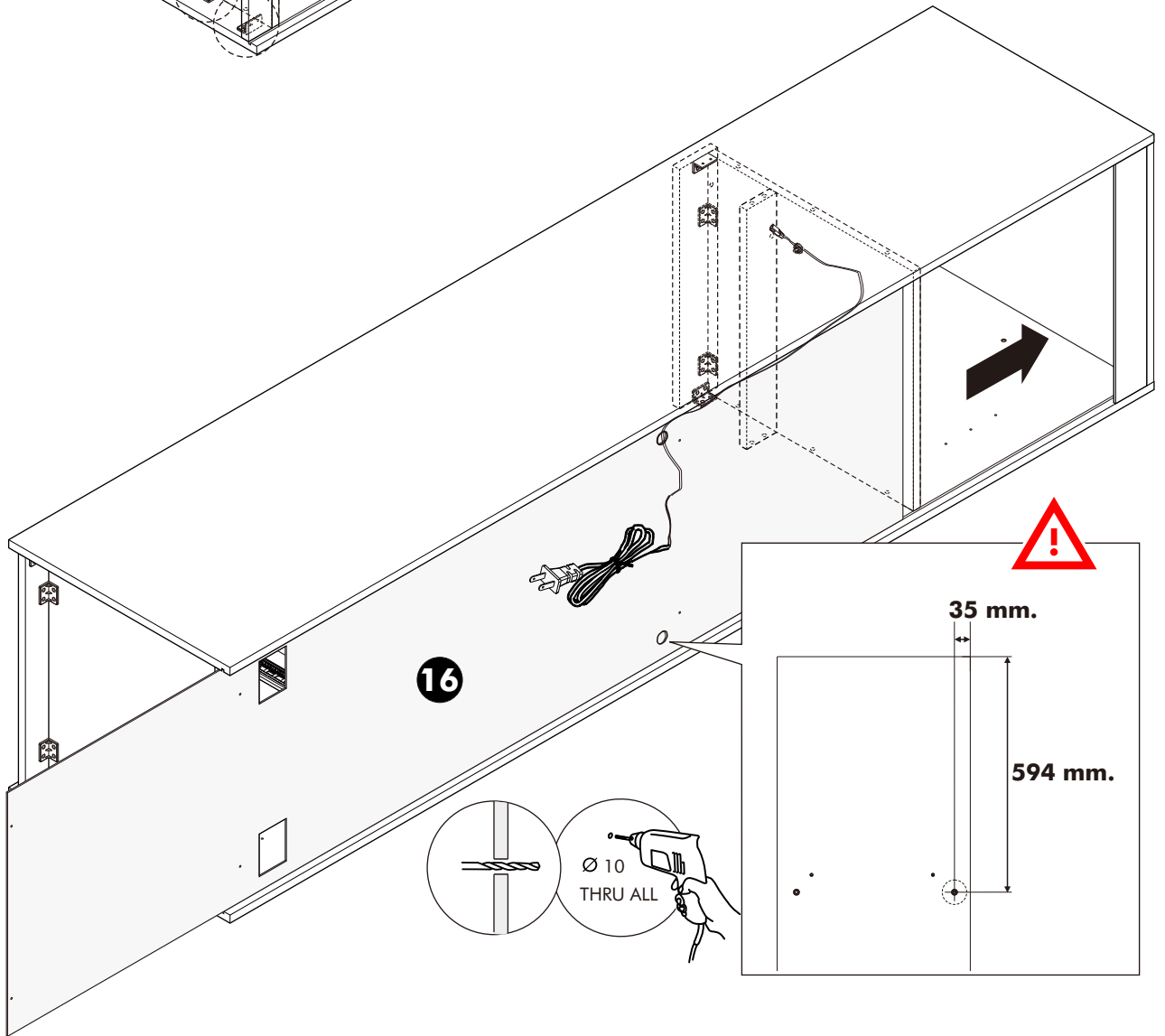
2.



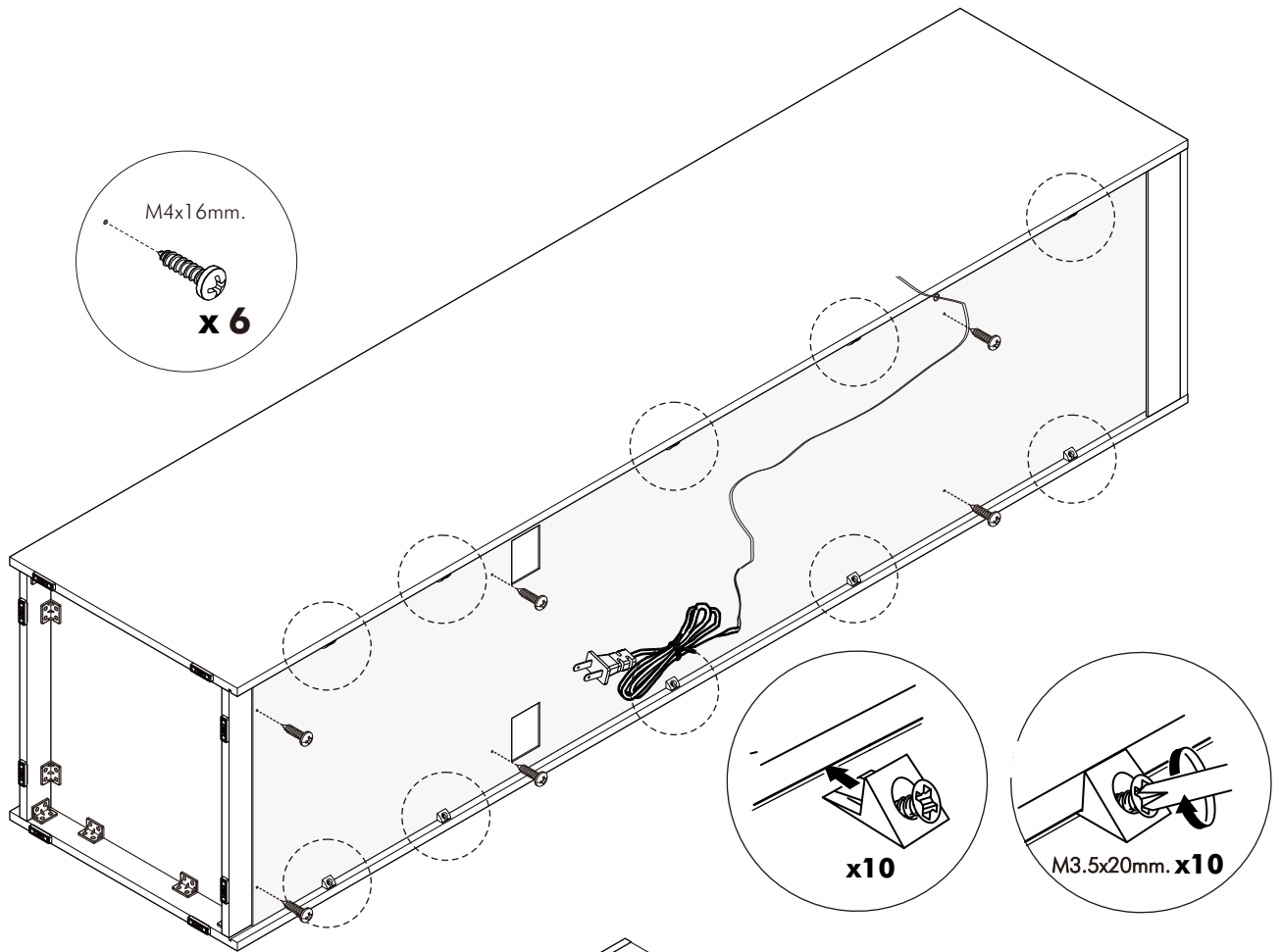
3.



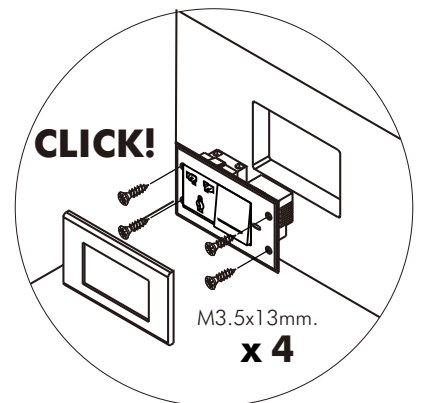
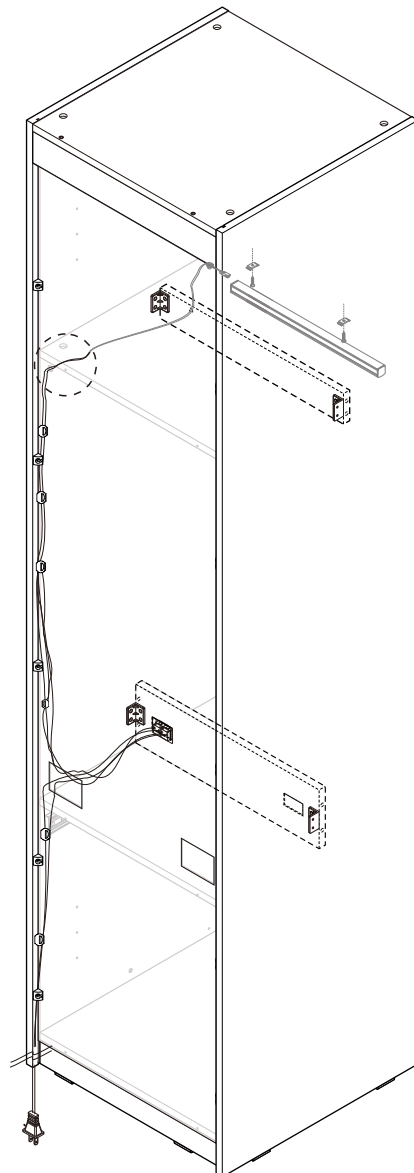
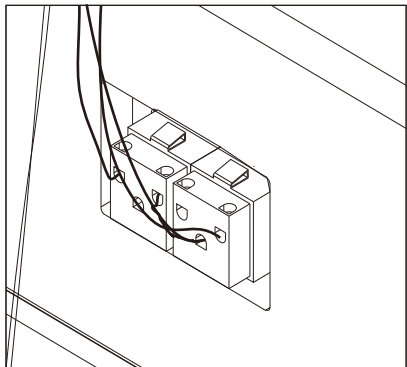
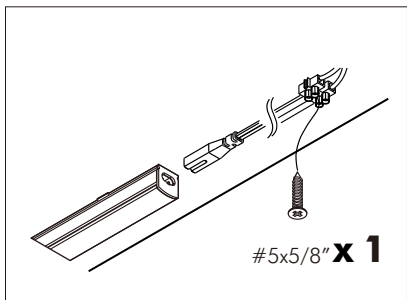
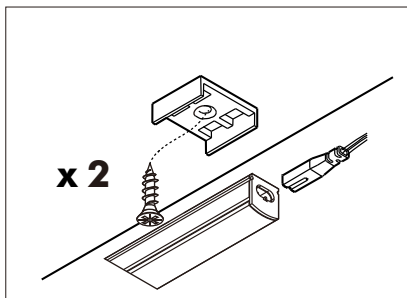
4.



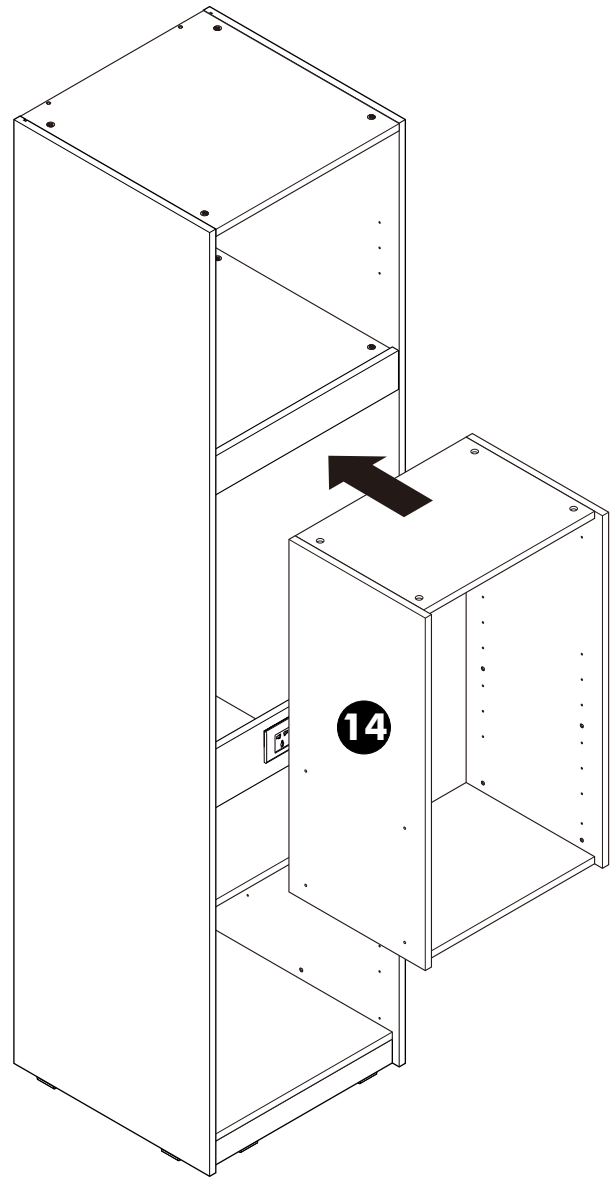
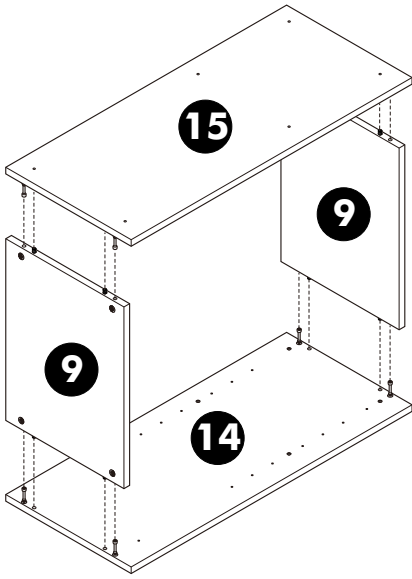
5.



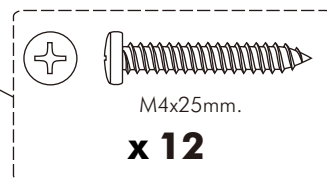
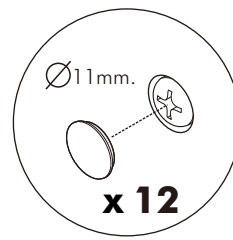
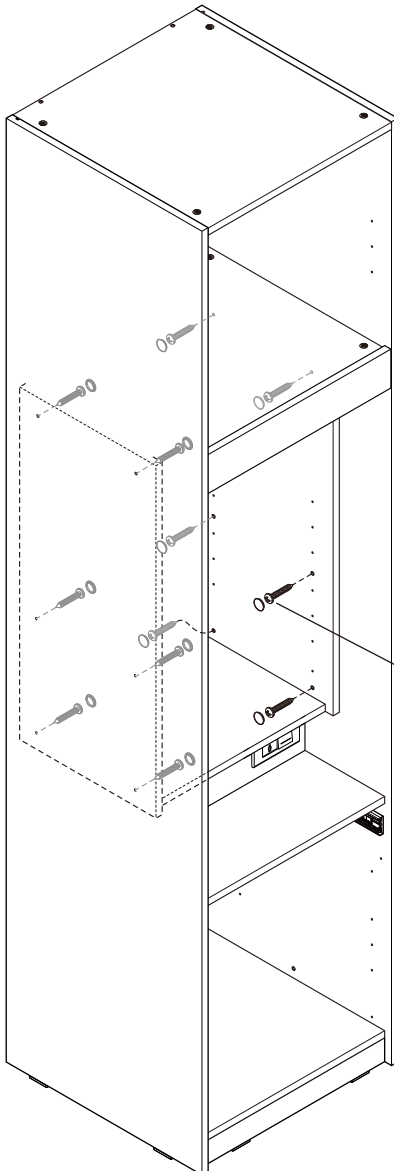
6.



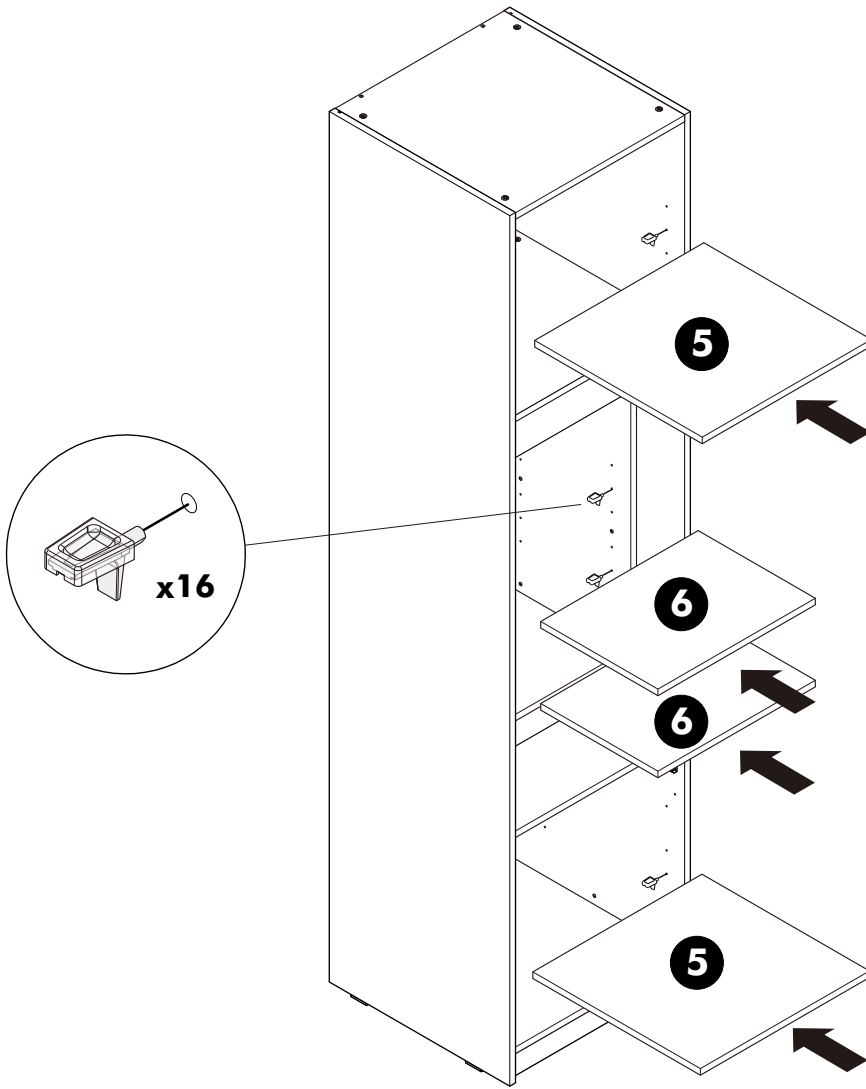
7.



8.

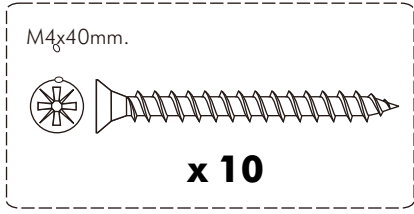
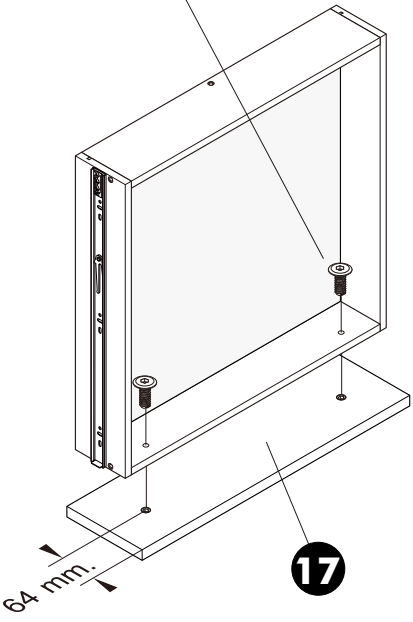
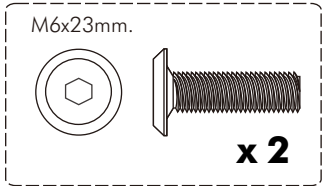
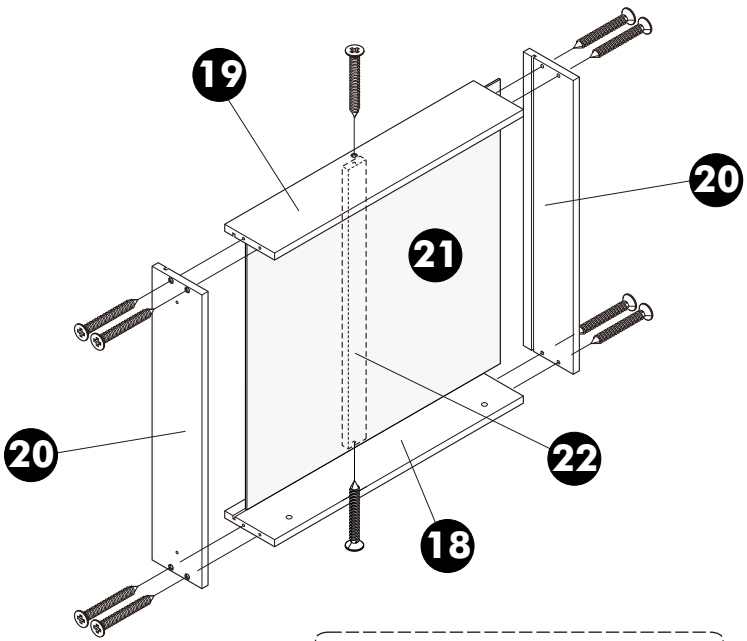


9.



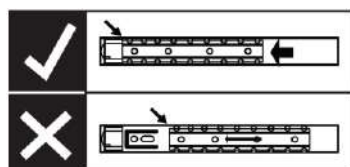
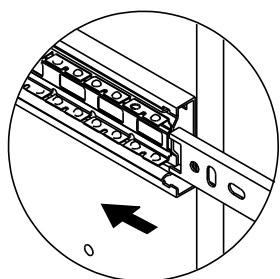
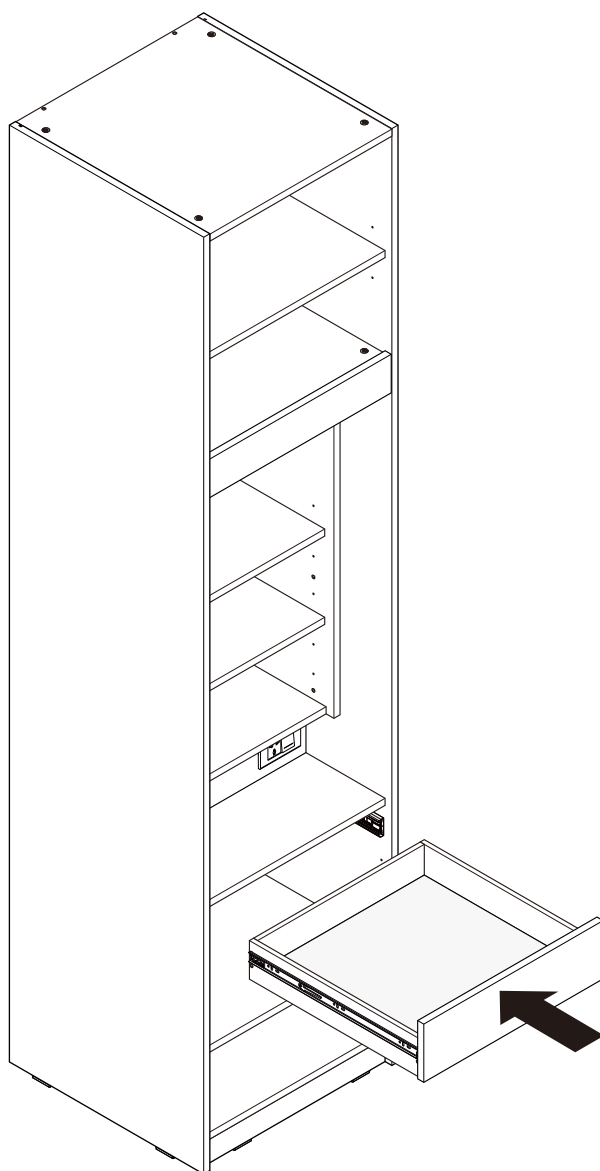
ASSEMBLY

-DRAWER SET



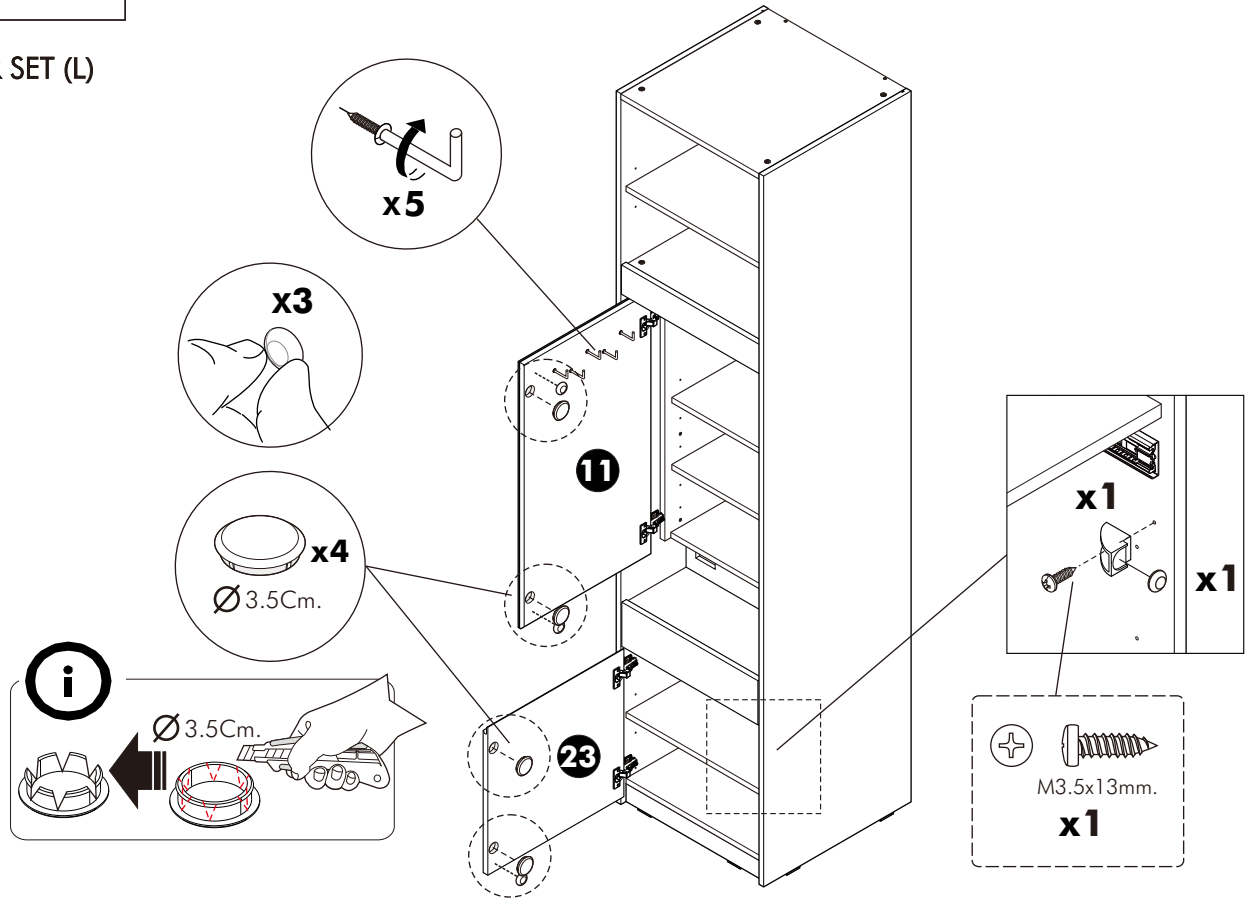
ASSEMBLY

-DRAWER SET



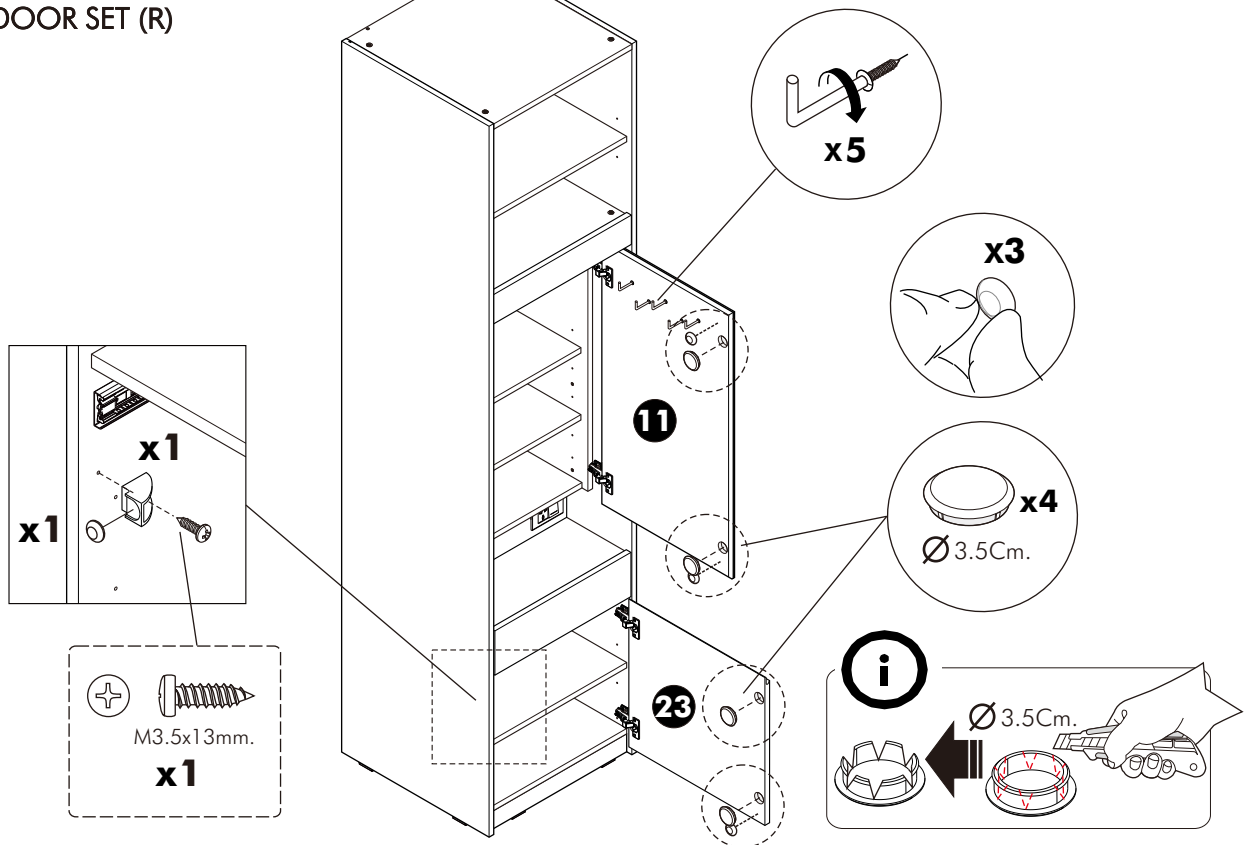
ASSEMBLY

-DOOR SET (L)



ASSEMBLY

-DOOR SET (R)



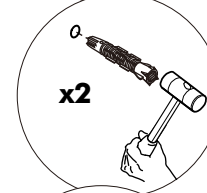


WALL

Ø7x50mm.

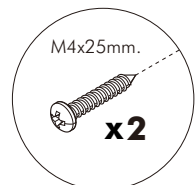
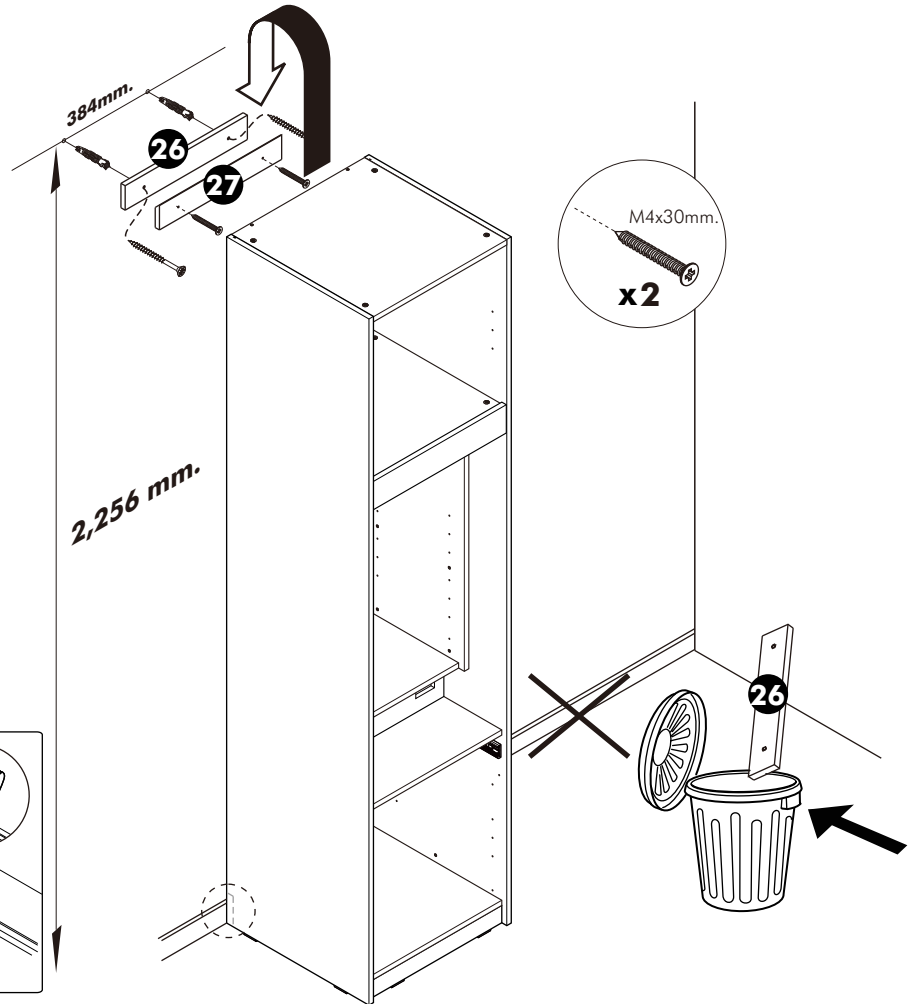
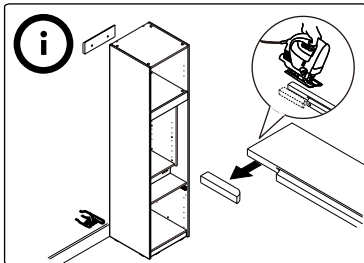
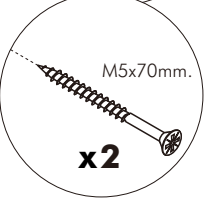


x2



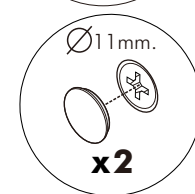
M5x70mm.

x2



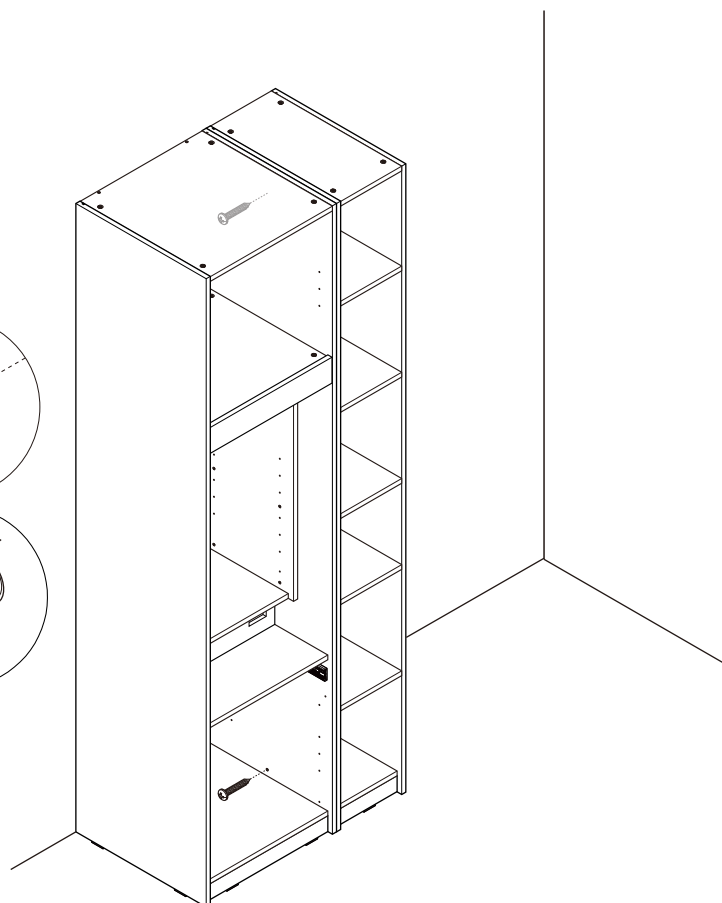
M4x25mm.

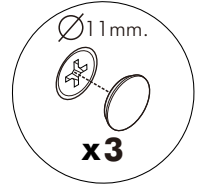
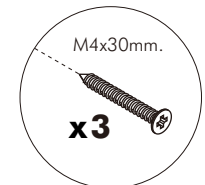
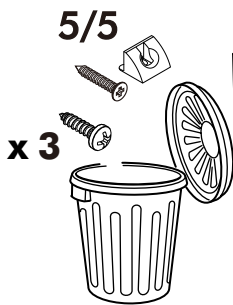
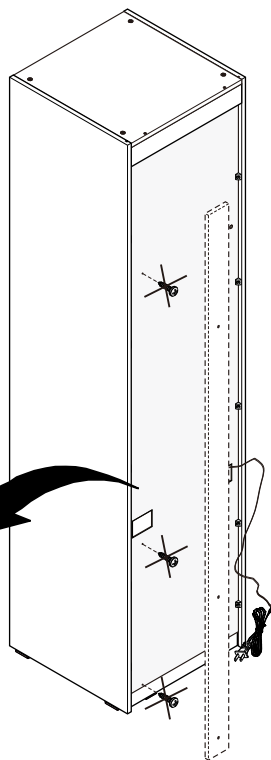
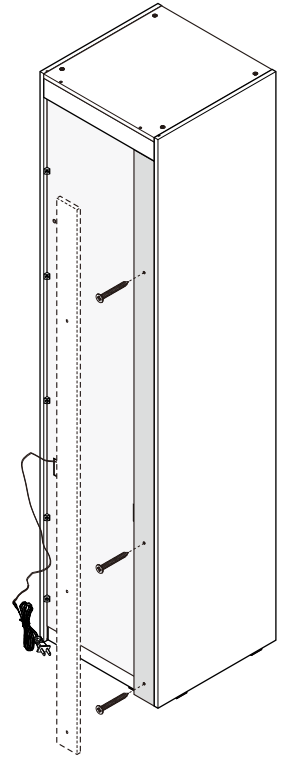
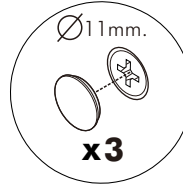
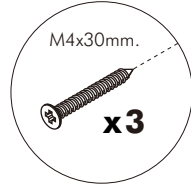
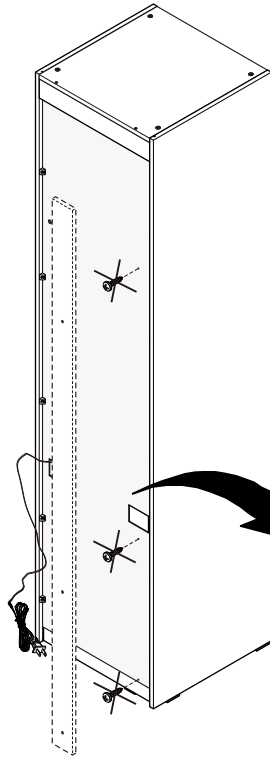
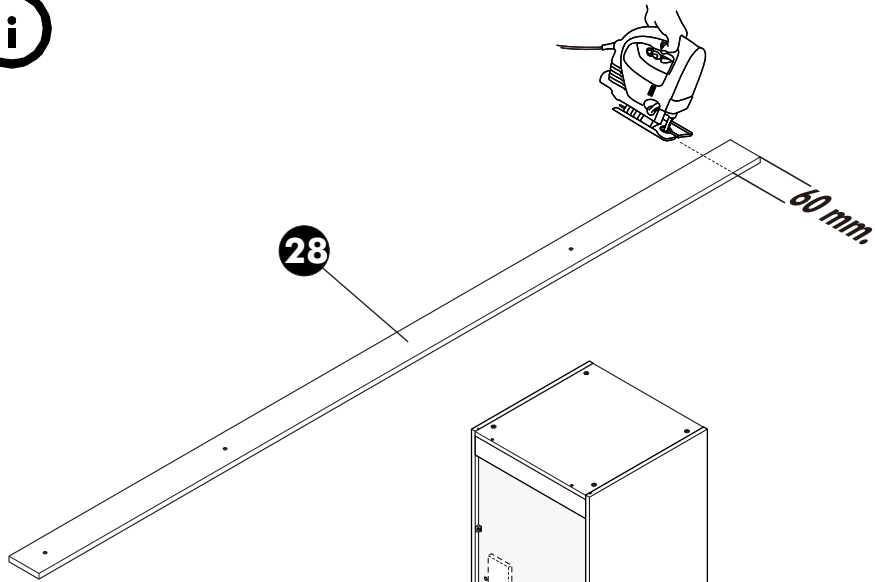
x2

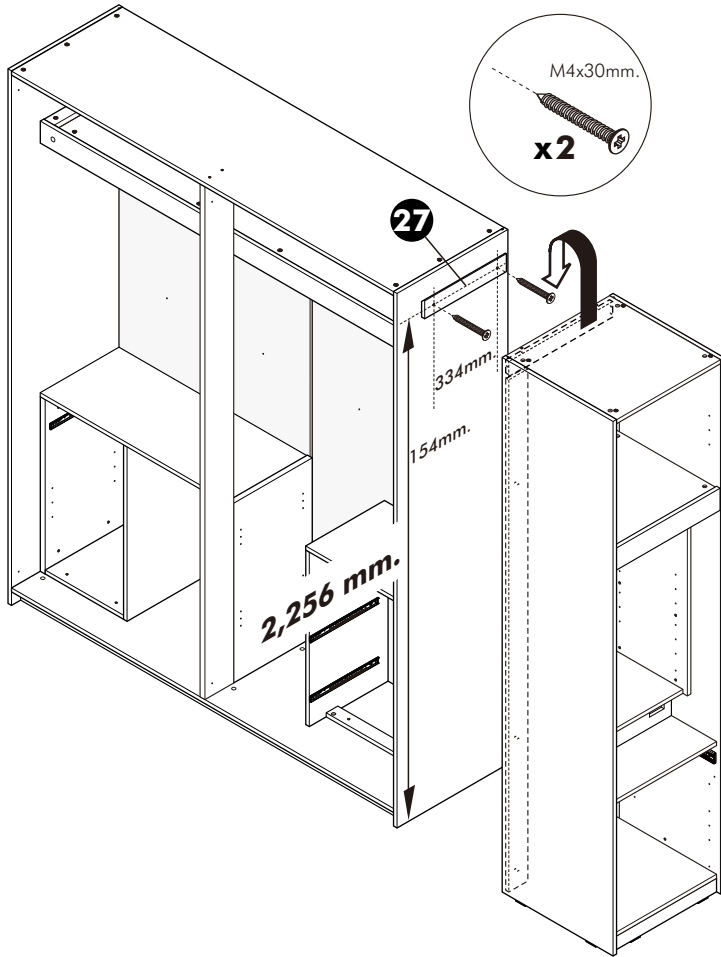


Ø11mm.

x2



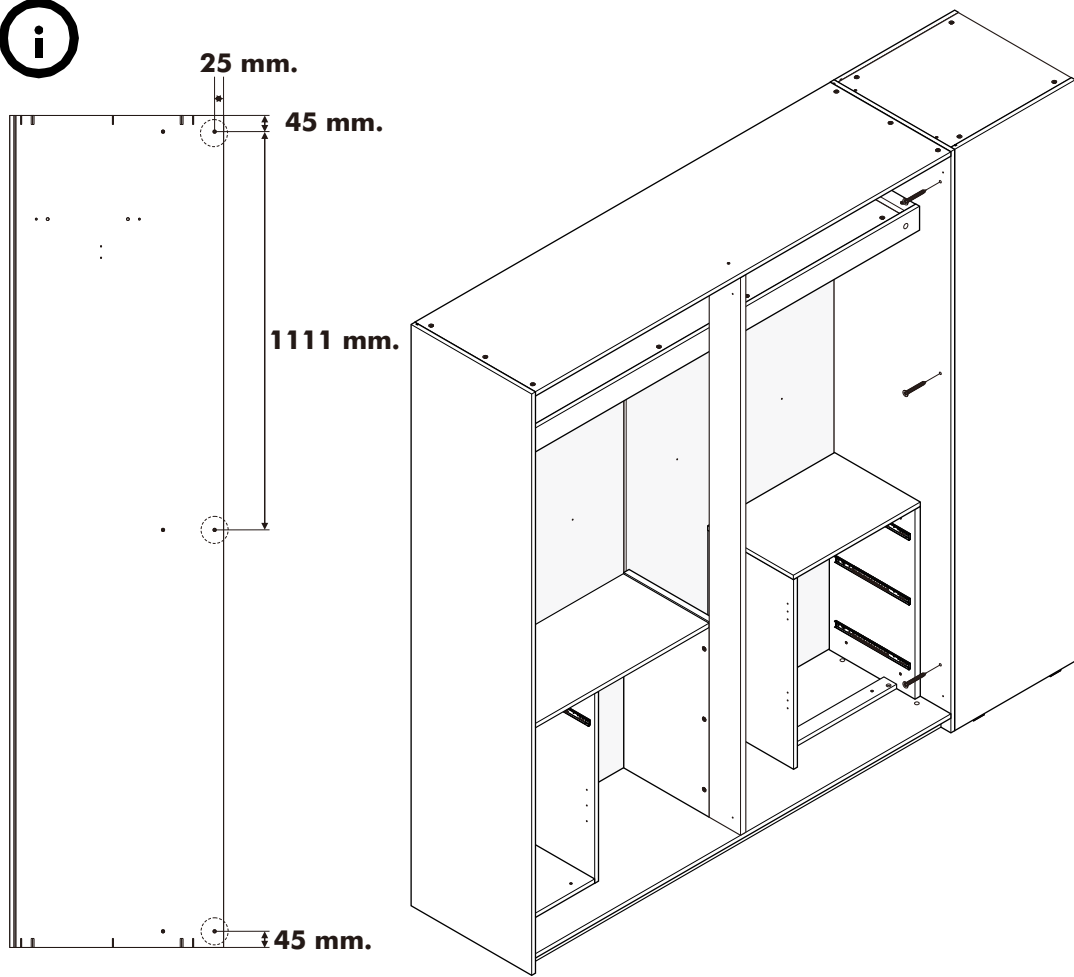




M4x30mm.
x2

Ø5 THRU ALL
LØ9 ↓5

27
41 mm.
50 mm.



25 mm.
45 mm.

1111 mm.

45 mm.

Ø11 mm.
x3

M4x25mm.
x3

Ø5 THRU ALL
LØ9 ↓5

