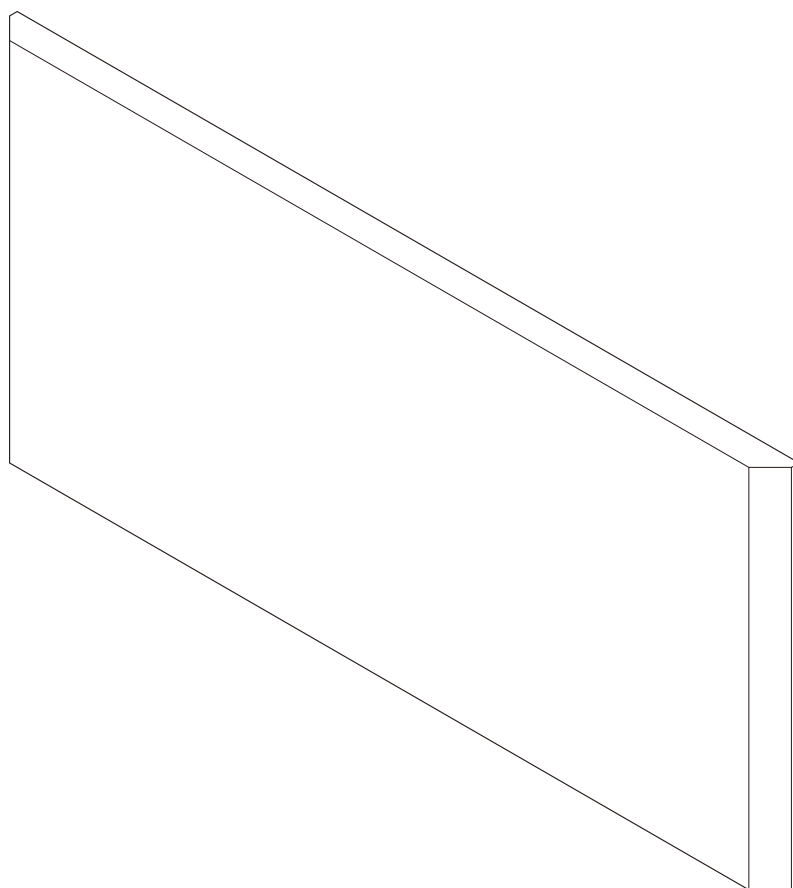
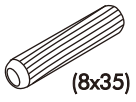


# ITAL-SMART

FILLER TOP CORNER H24

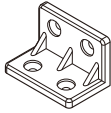


## HARDWARE



(8x35)

**x 2**



**x 2**



M4x16mm.

**x 8**

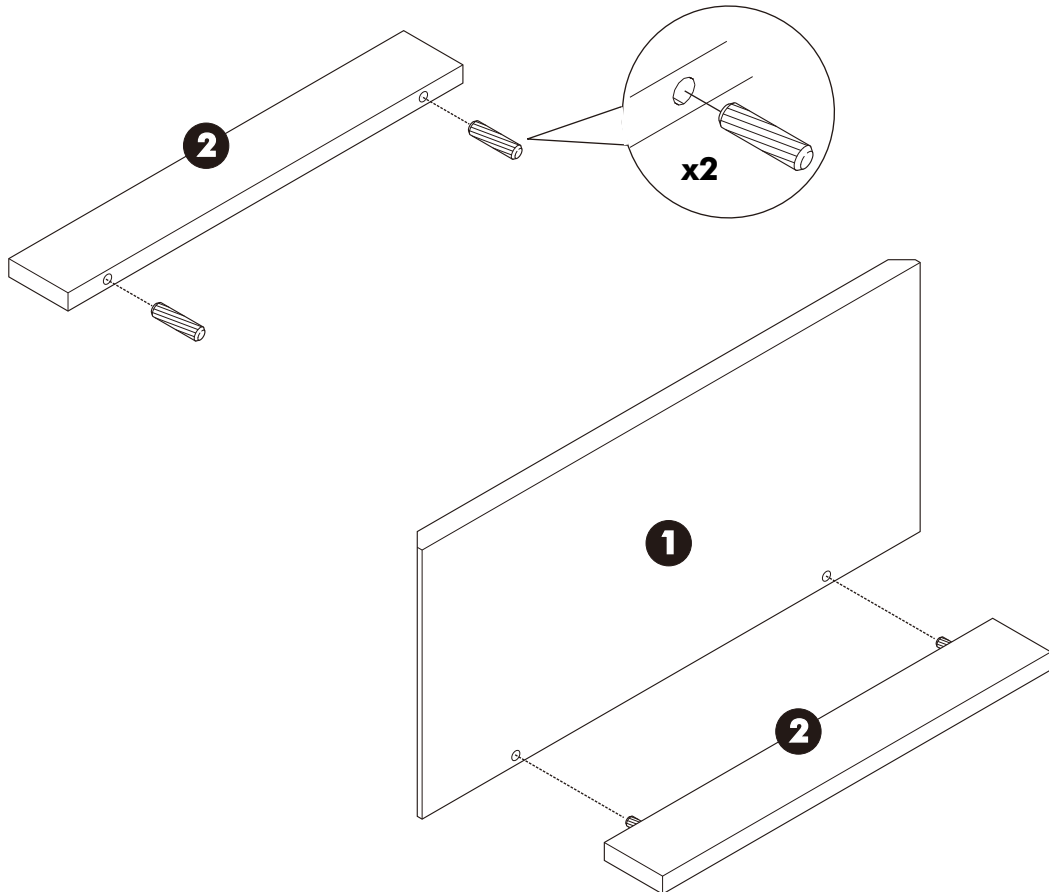


M4x25mm.

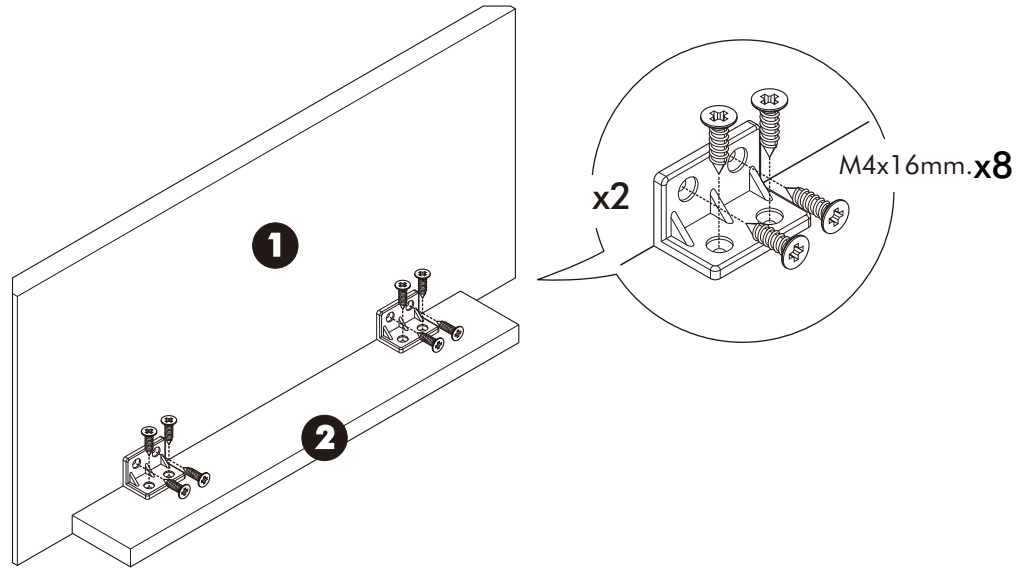
**x 2**

## ASSEMBLY

**1.**



**2.**



**3.**

