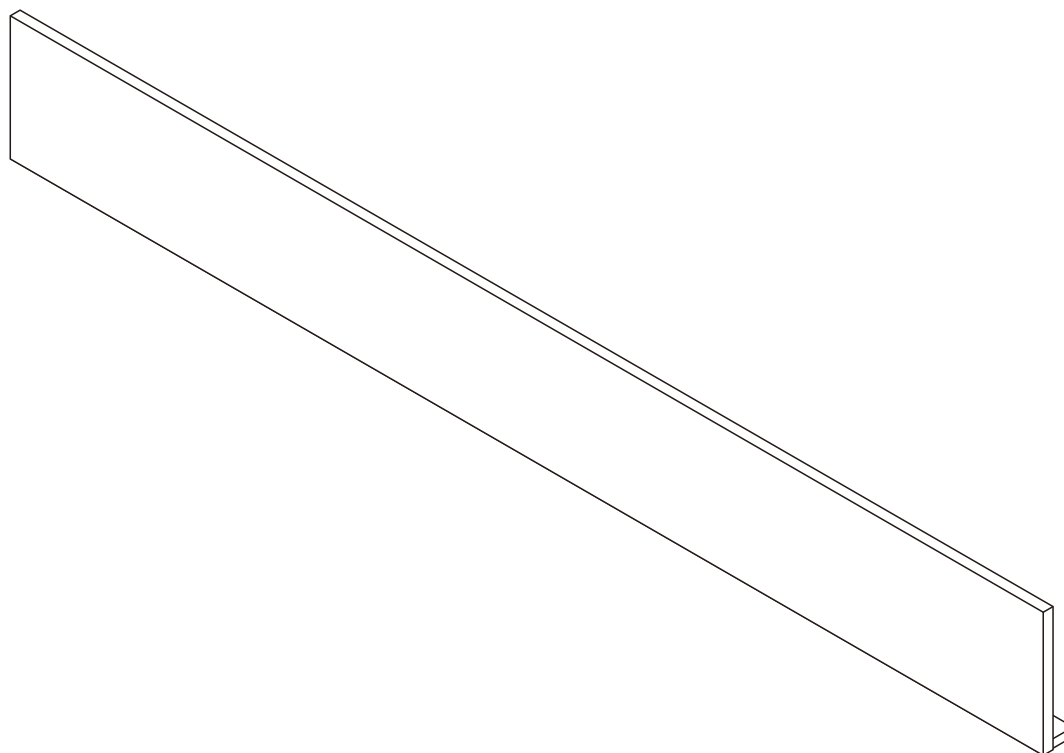
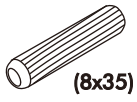


# ITAL-SMART

FILLER TOP W200H24



# HARDWARE



(8x35)

**x 6**

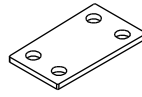


**x 6**



M4x16mm.

**x 28**



**x 1**

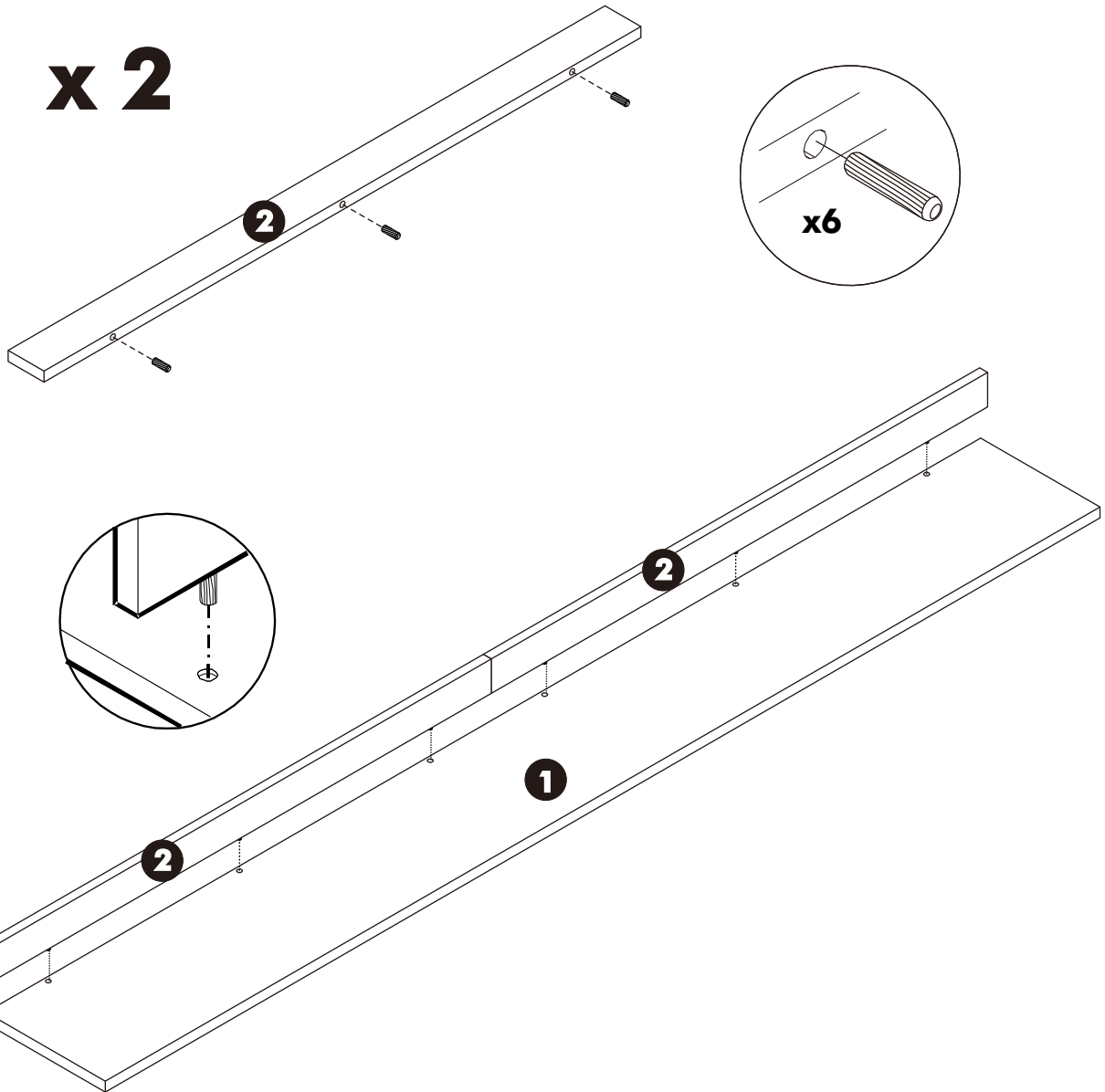


M4x25mm.

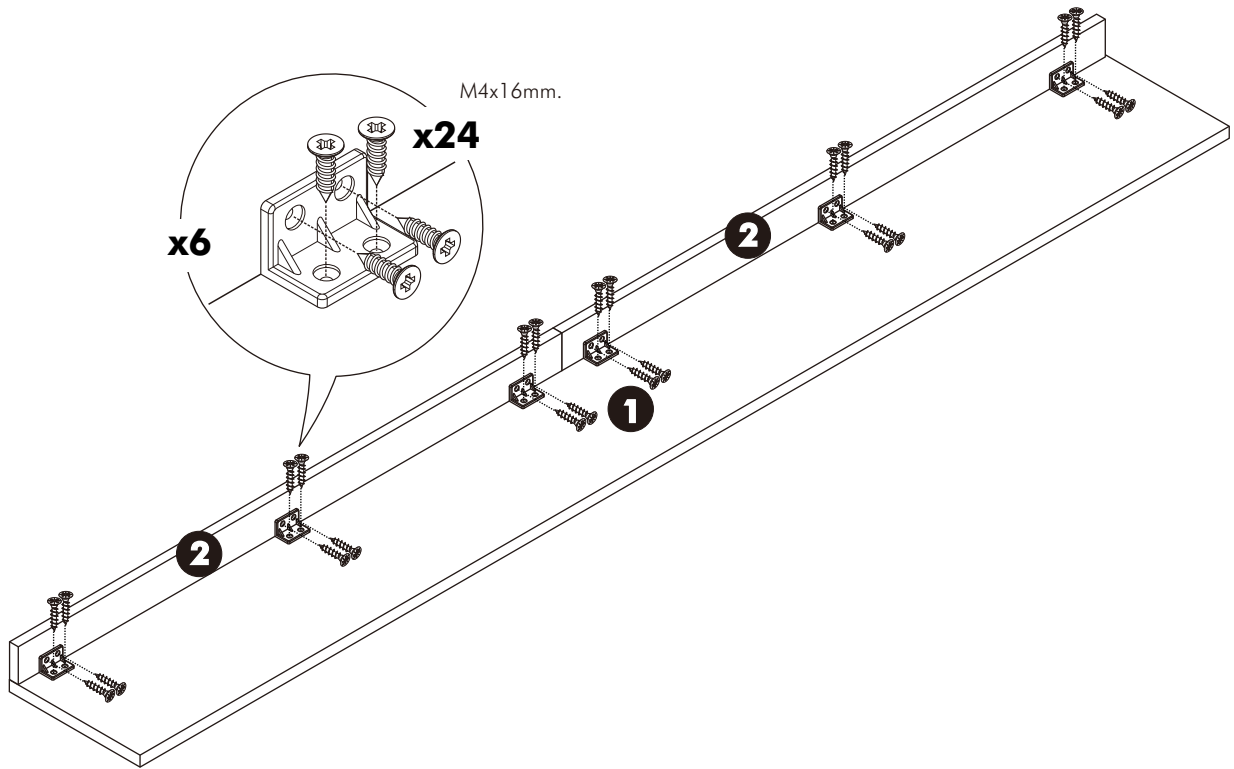
**x 6**

# ASSEMBLY

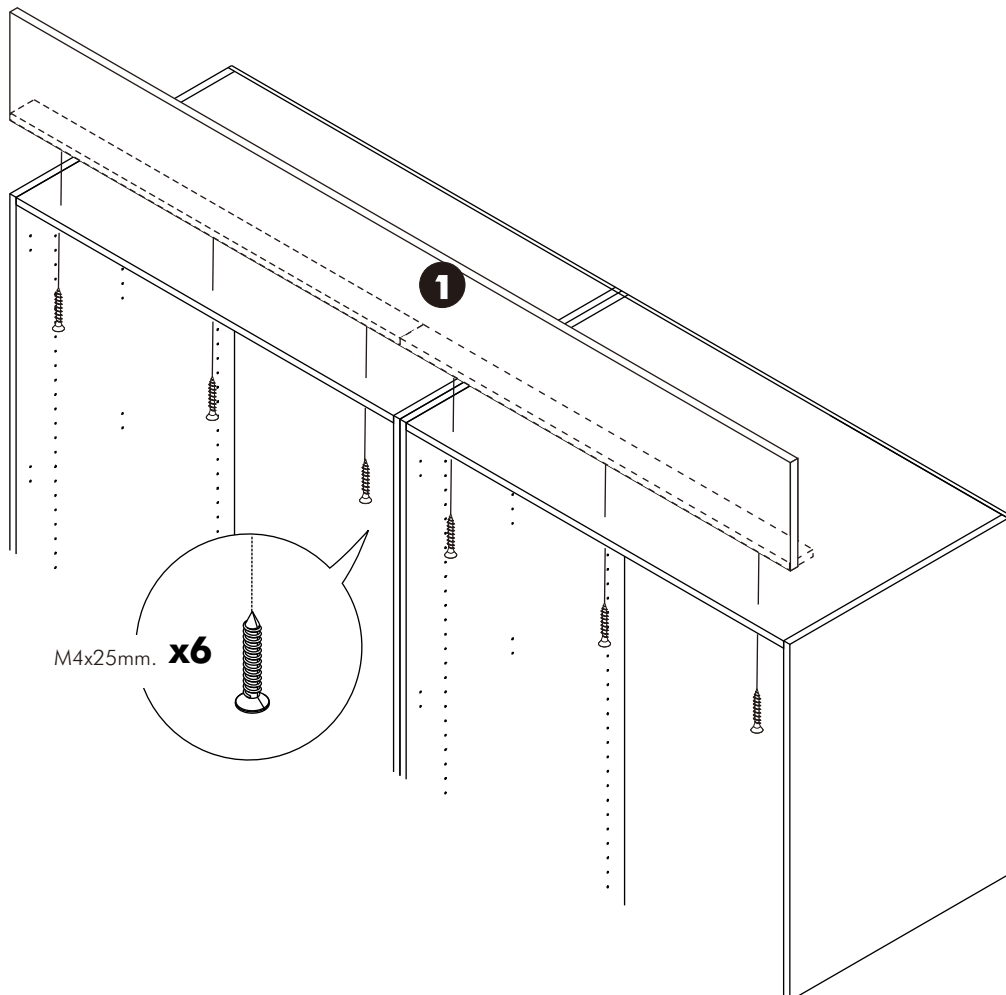
**1.**



**2.**



**3.**



4.

