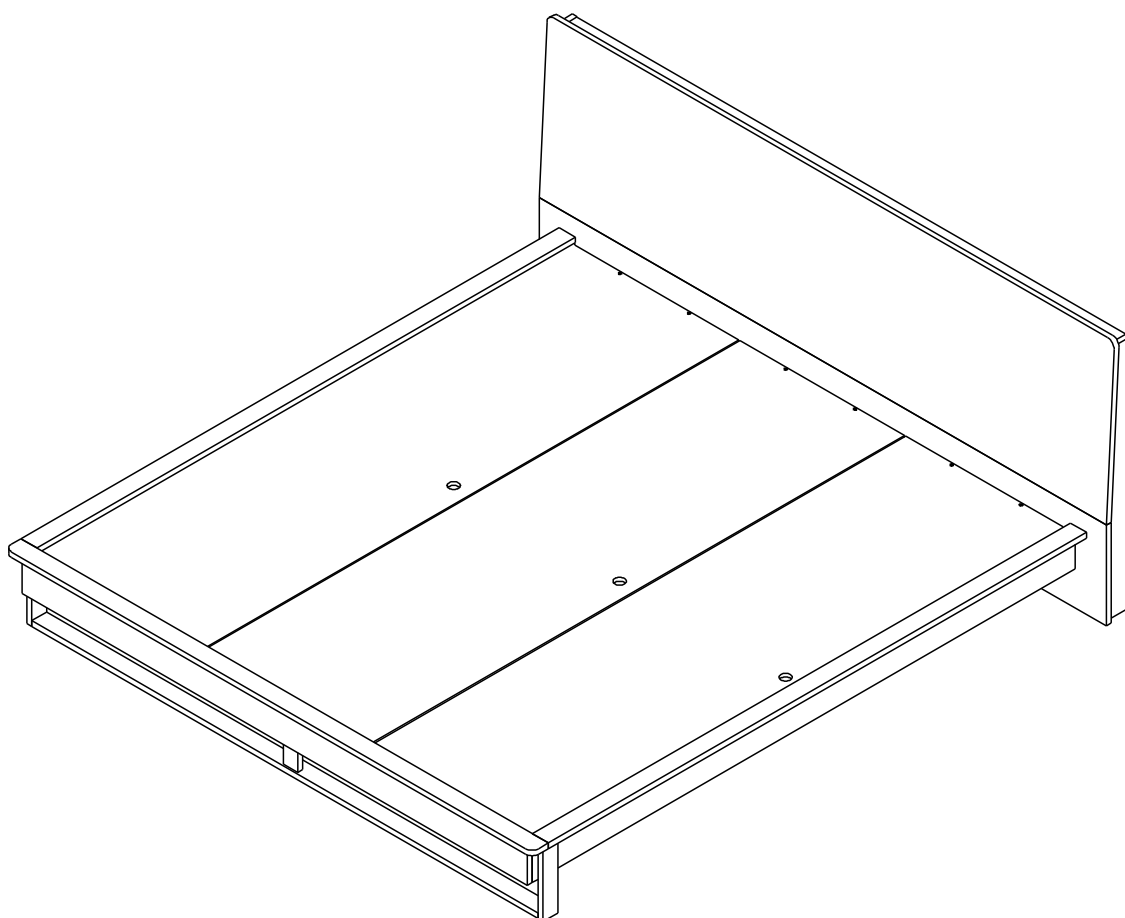


SHIBUYA

Bed 6 FT.



CONNECT SYSTEM

1

2

(Connecting bolts)

3

WHEN FITTING CAMS
 ENSURE STARTING POSITION IS CORRECT
 BEFORE YOU INSERT CONNECTING BOLT
 TURN CLOCKWISE UNTIL SECURE

✓					✗
	CORRECT	WRONG			

M6x45mm.

M6

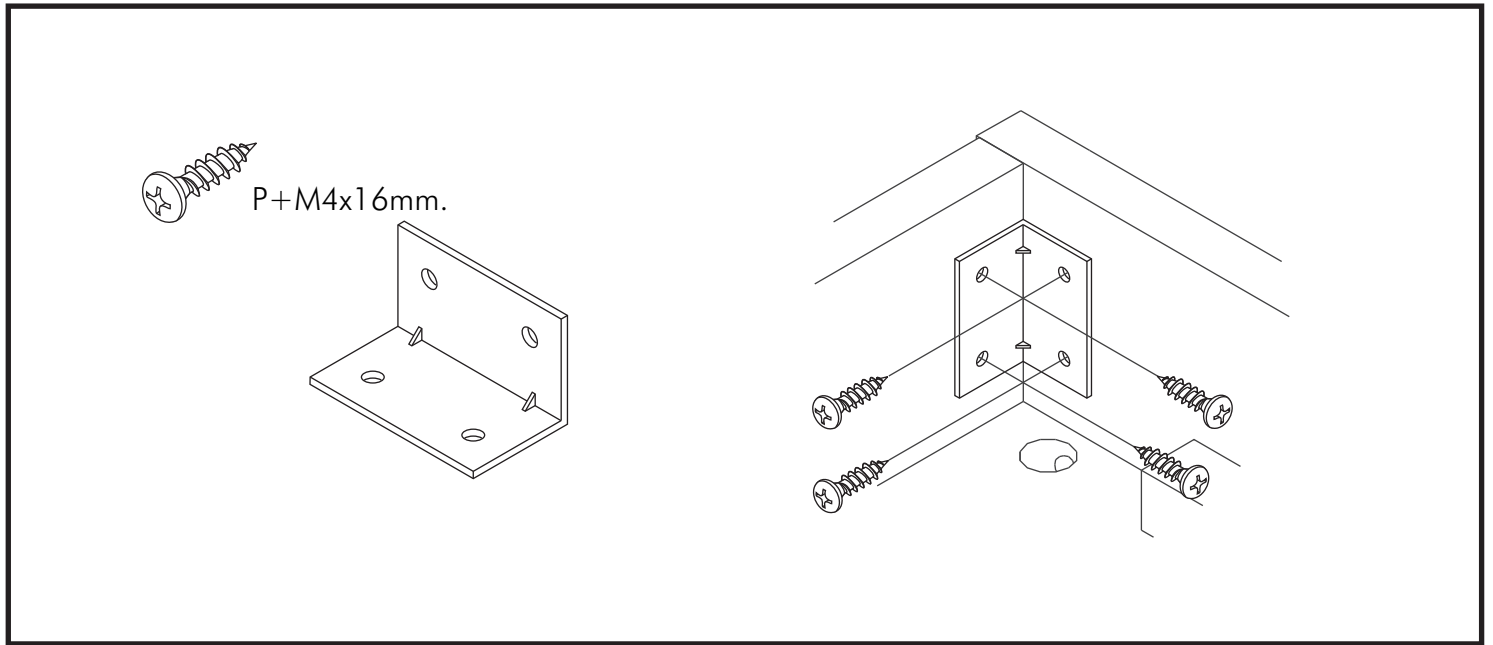
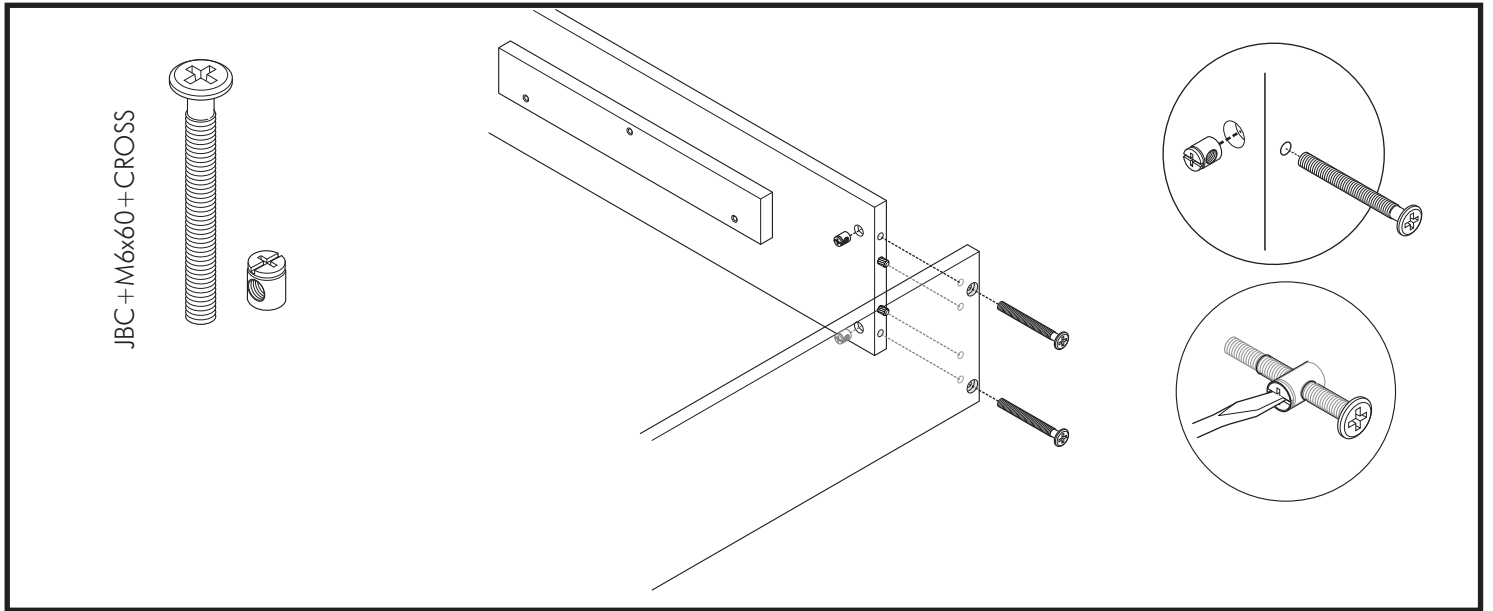
M6

M4x16mm.

M4x16mm.

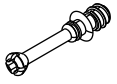
i

<p>40mm.</p> <p>☹️</p> <p>☒</p>	<p>EQ</p> <p>☺️</p> <p>☑️</p>
---------------------------------	-------------------------------



HARDWARE

-BODY SET

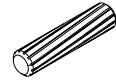


x 14



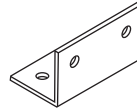
19 mm.

x 14



8*35

x 26

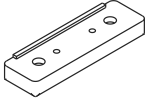


x 4



No.1

x 3



x 13



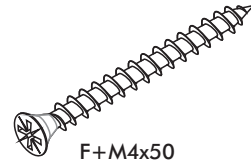
P+M4x16

x 27



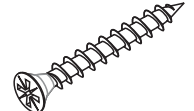
F+M4x16

x 26



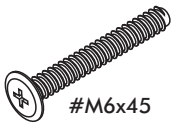
F+M4x50

x 1



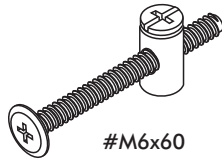
F+M4x30

x 66



#M6x45

x 4



#M6x60

x 4/4



#M6

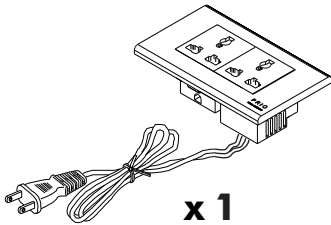
x 4



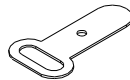
#M6

x 4

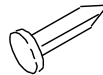
-LAMP SET



x 1



x 10



x 10



5x3/4"

x 5

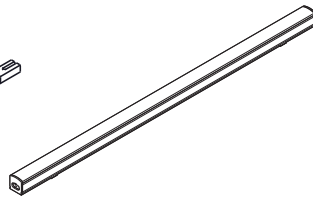


M4x13mm.

x 4



x 1



x 2

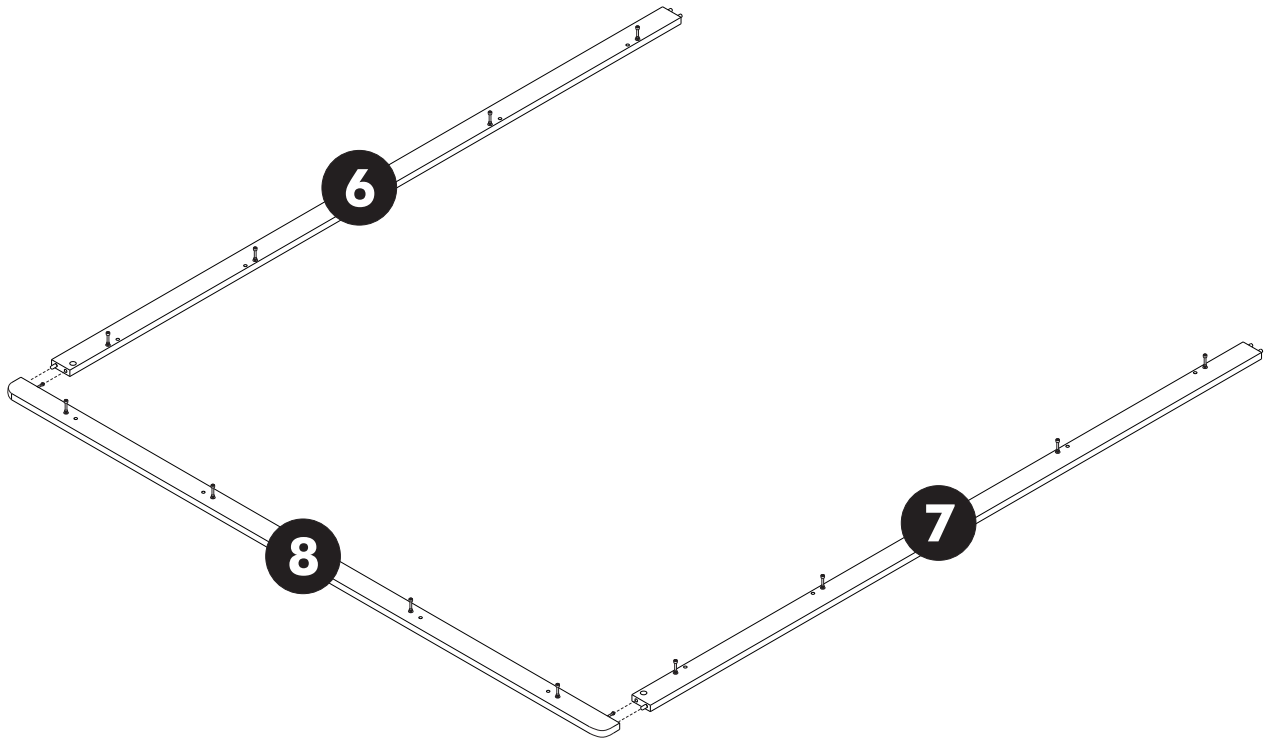


x 1

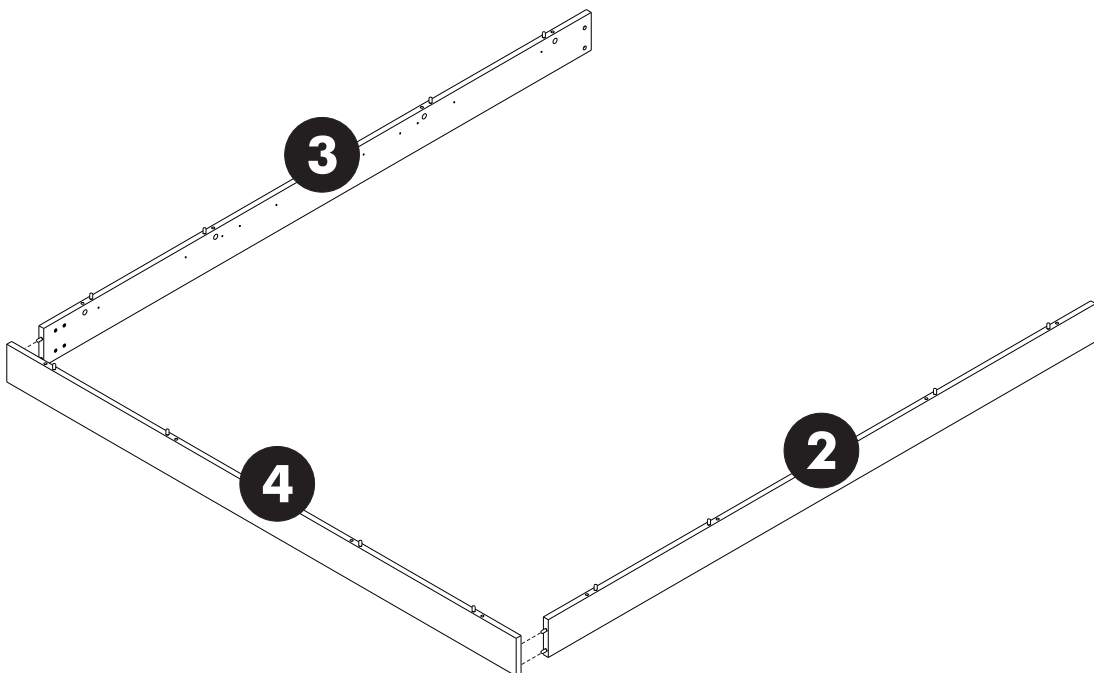
ASSEMBLY

-BODY SET

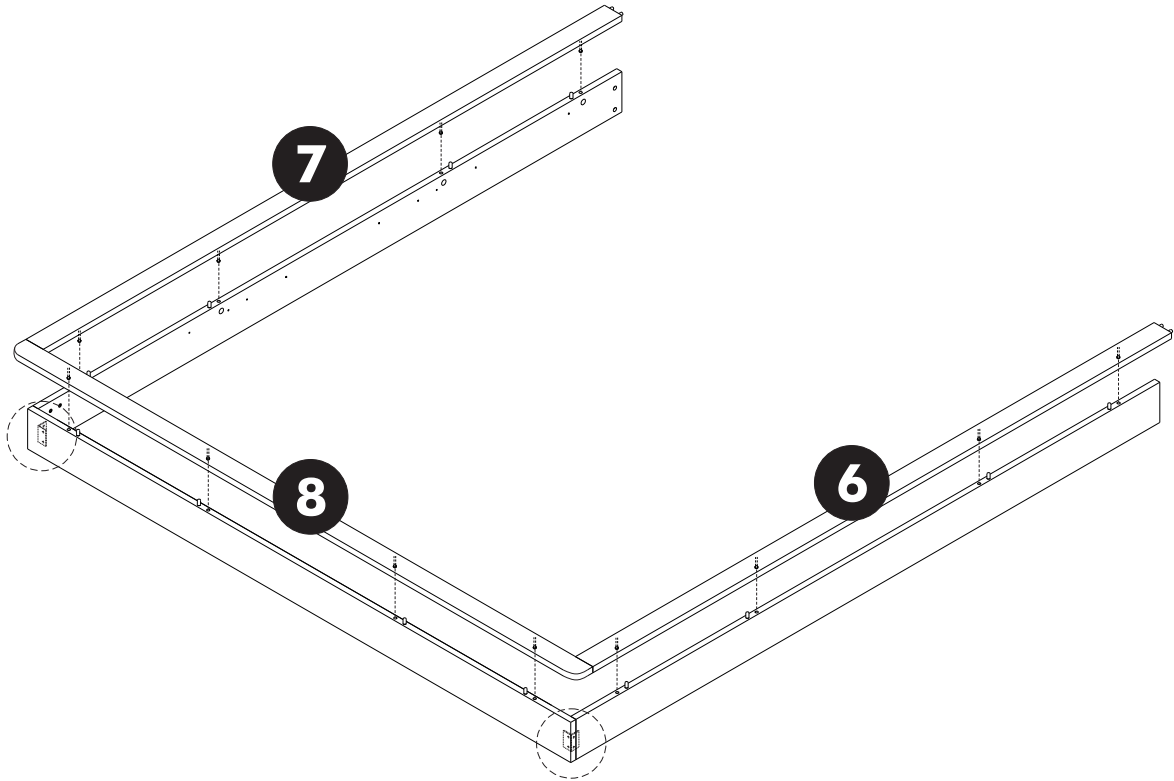
1.



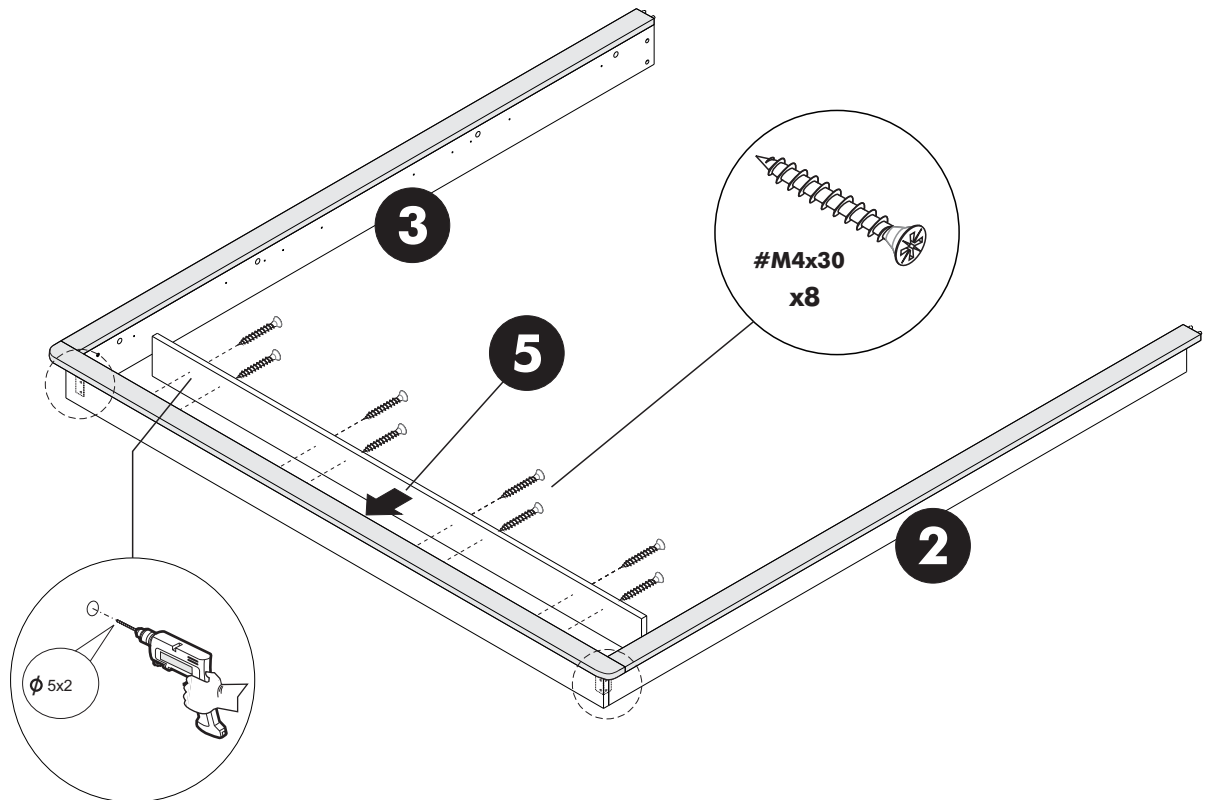
2.



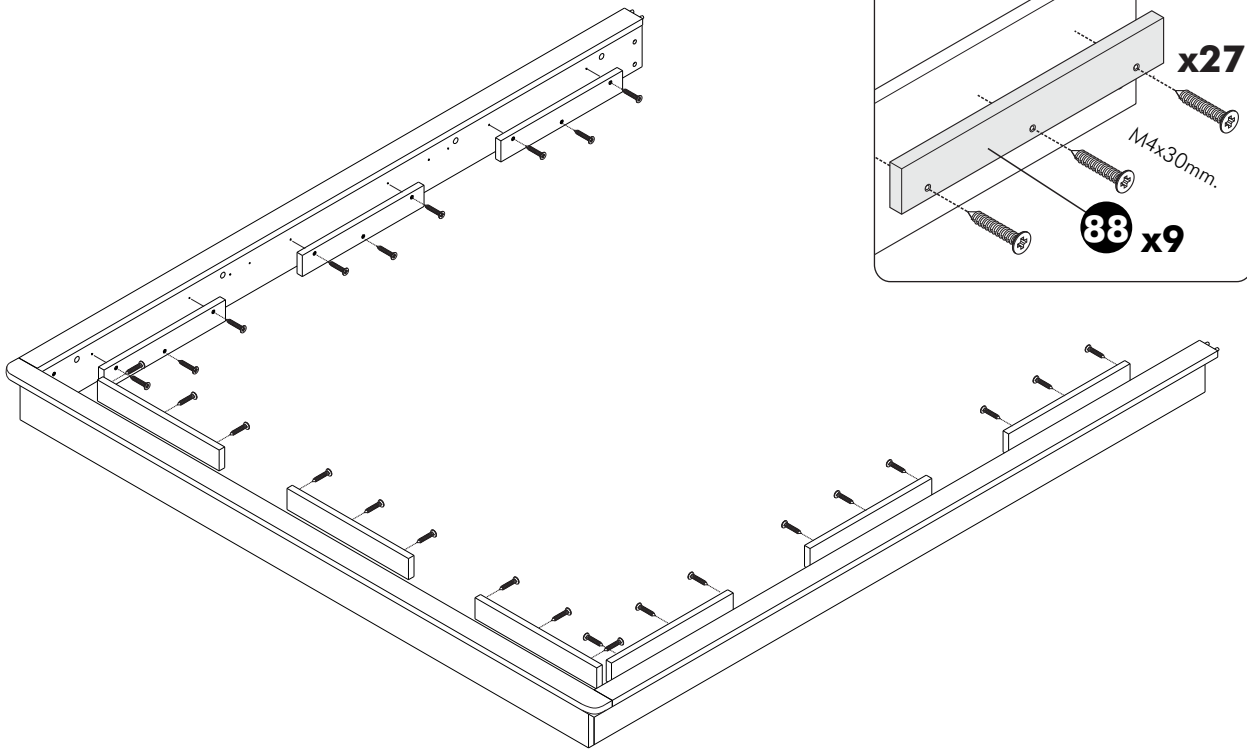
3.



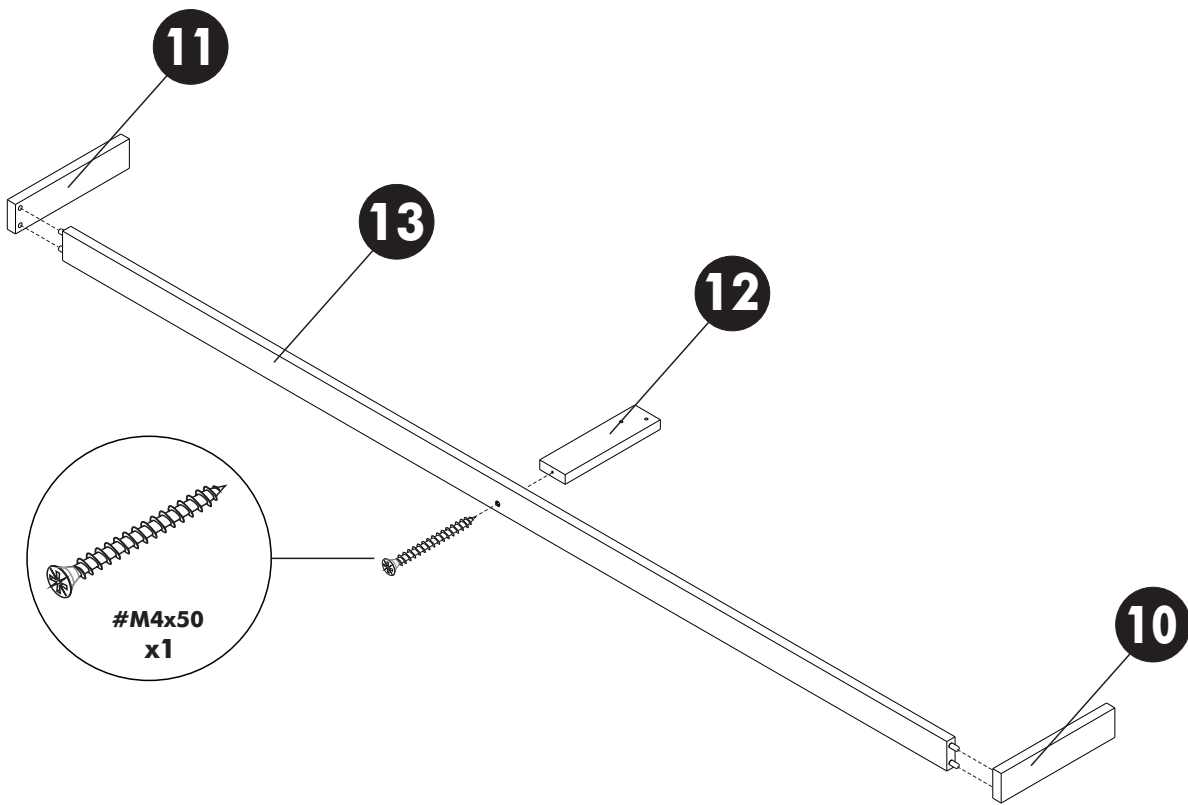
4.



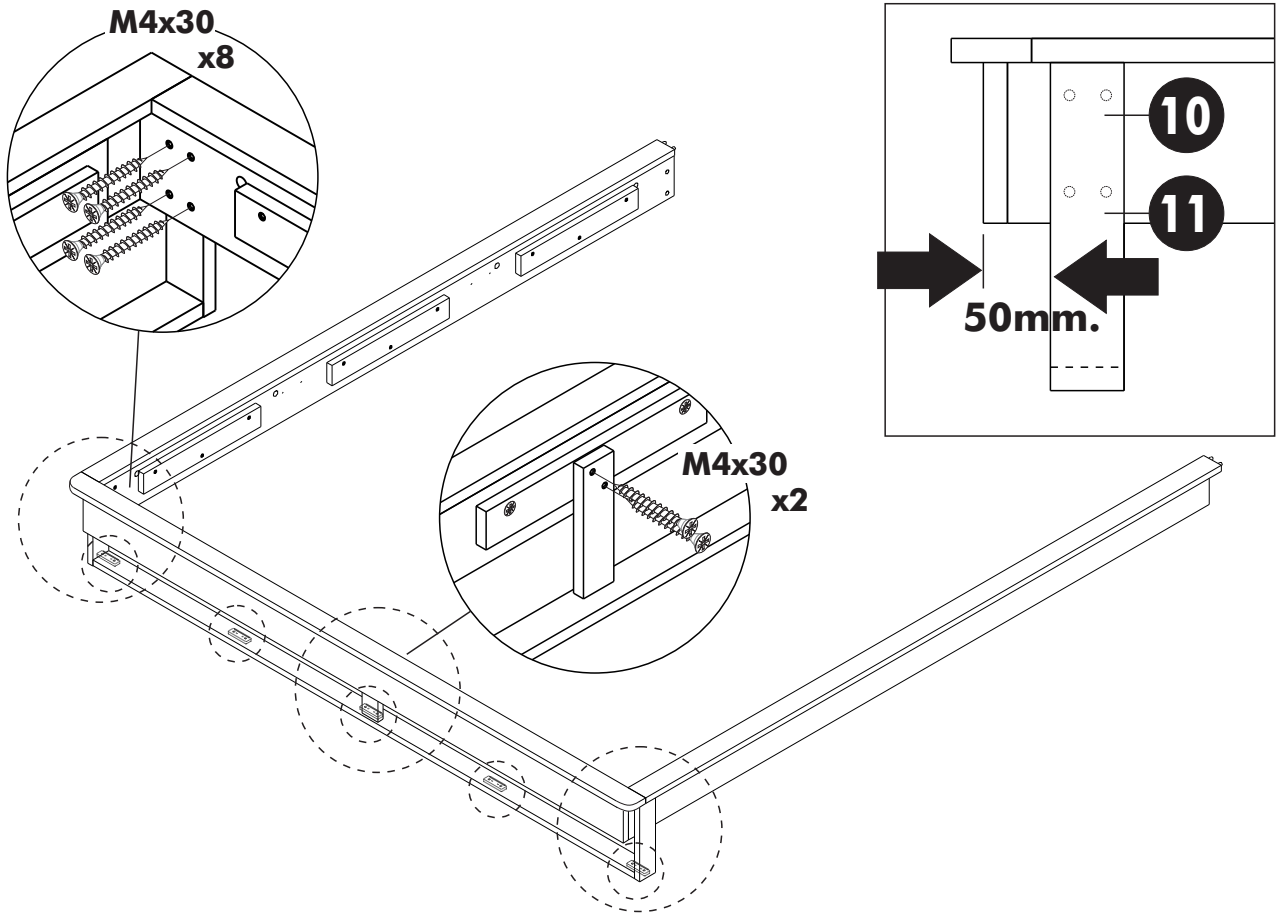
5.



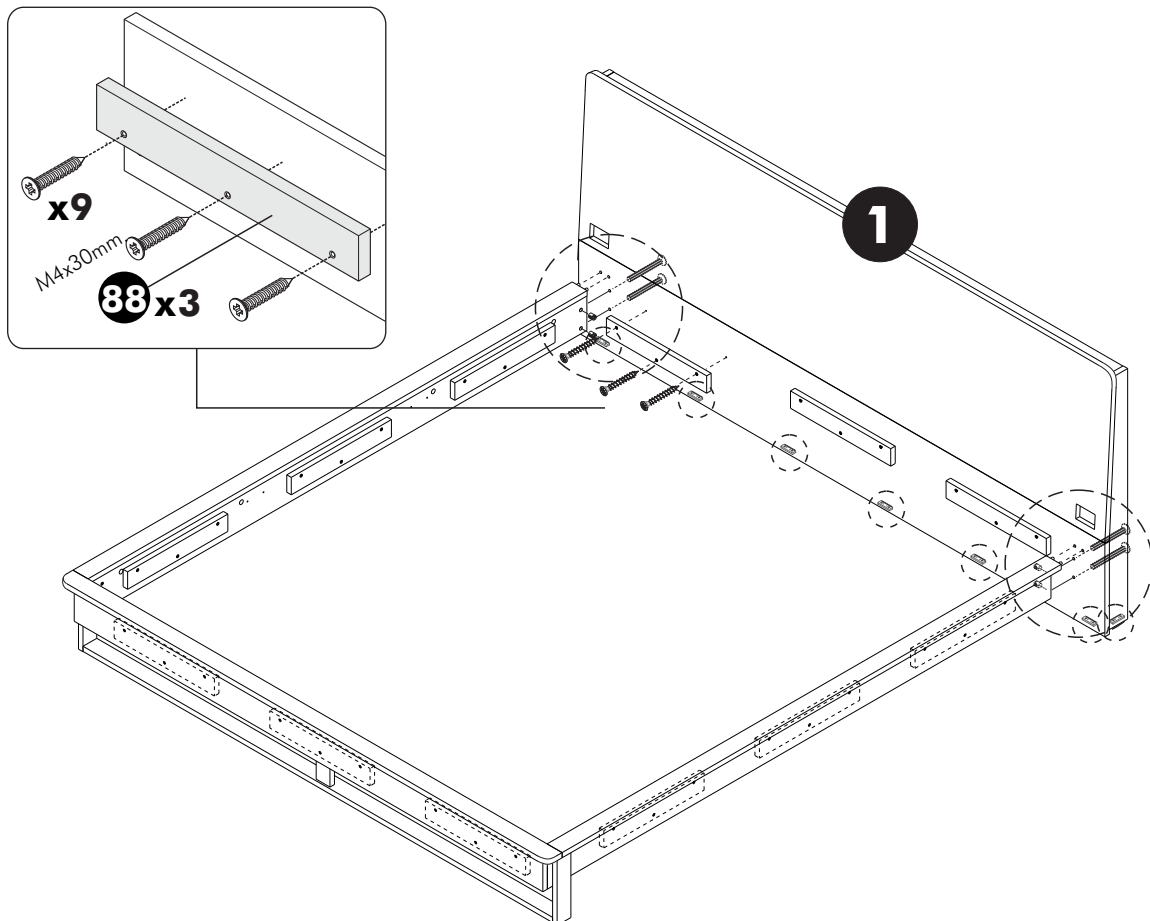
6.



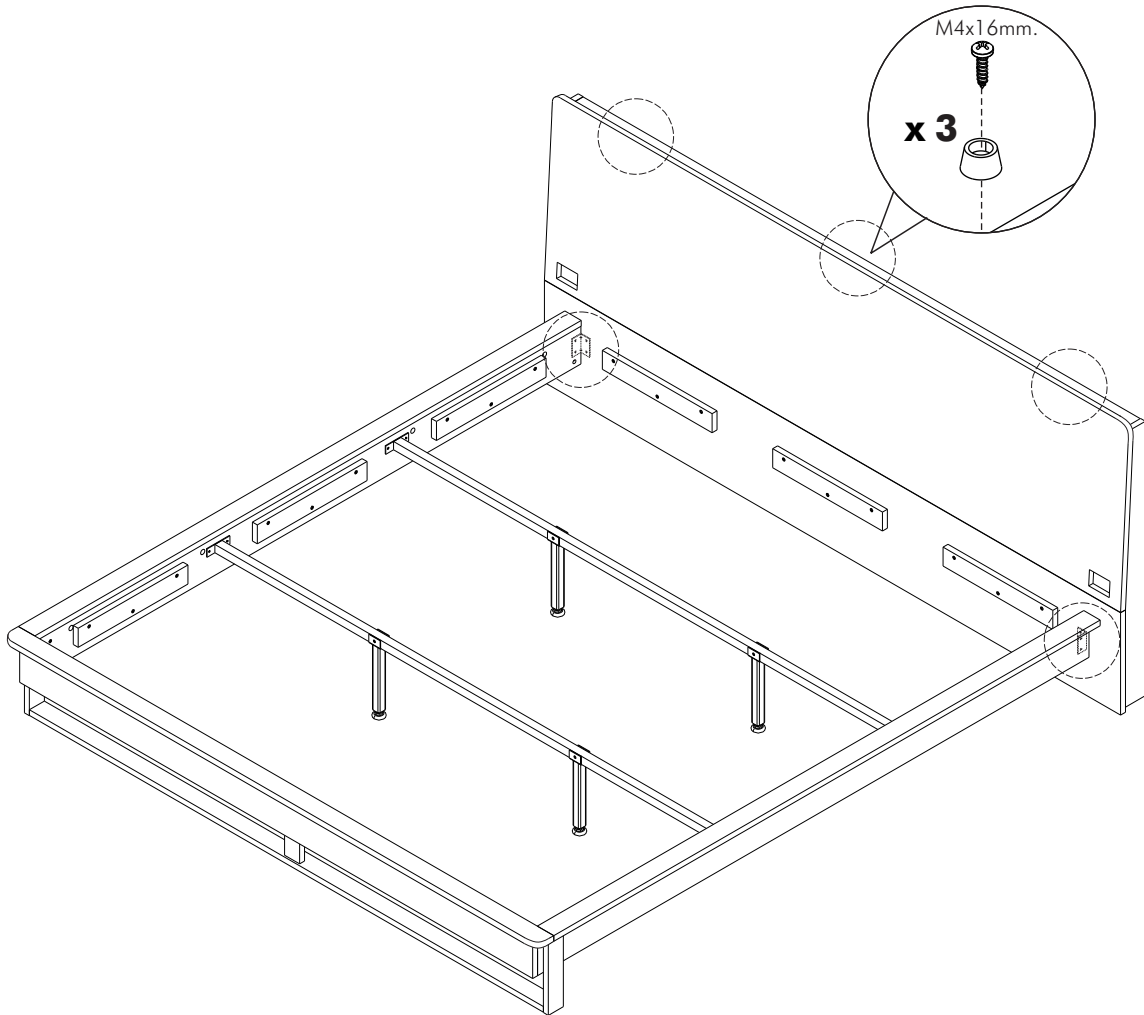
7.



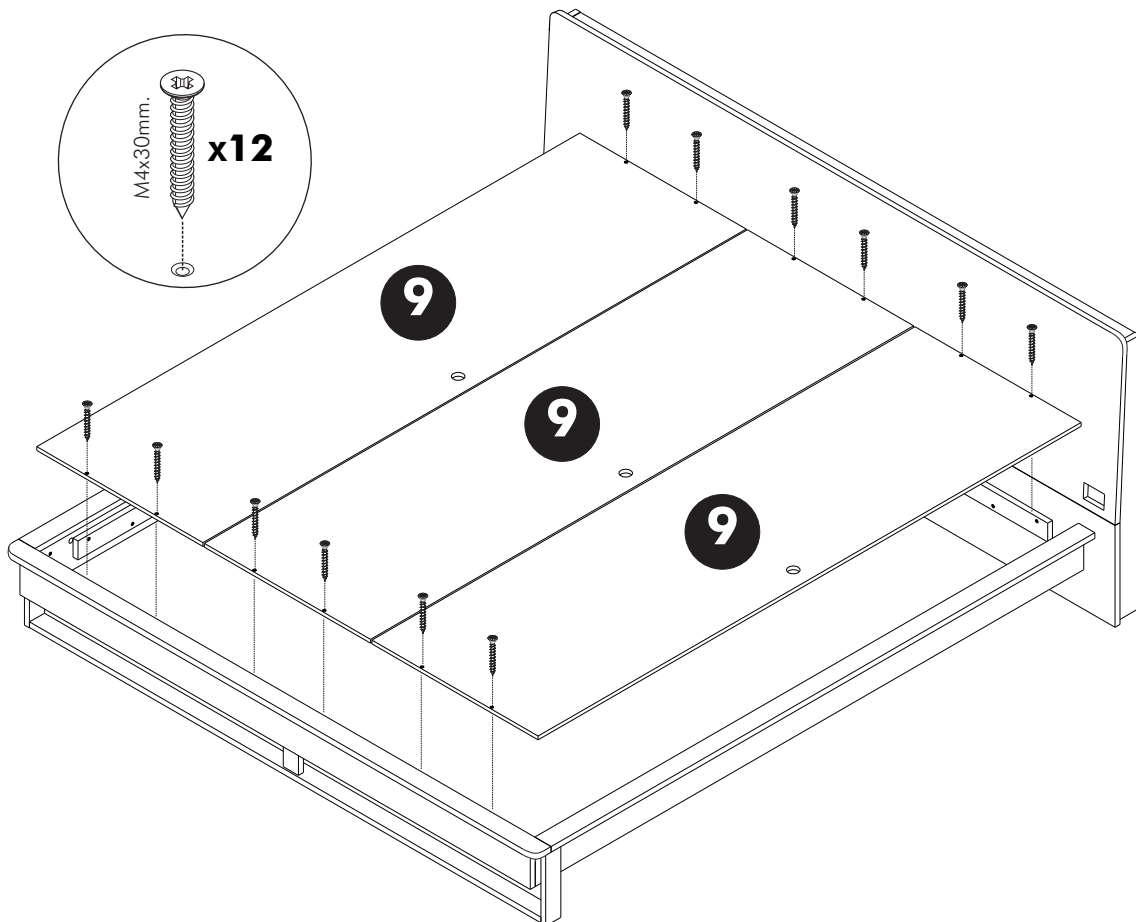
8.



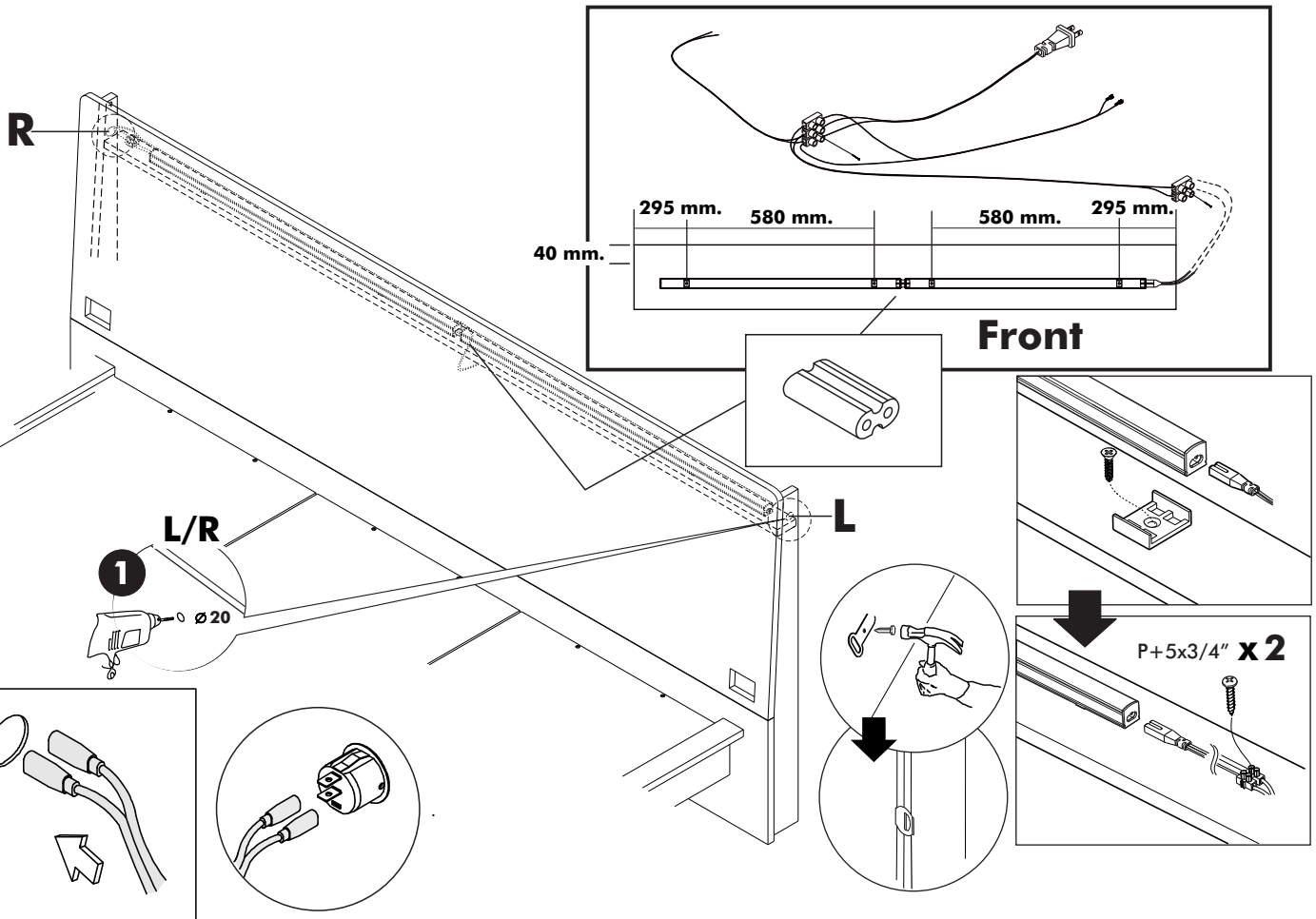
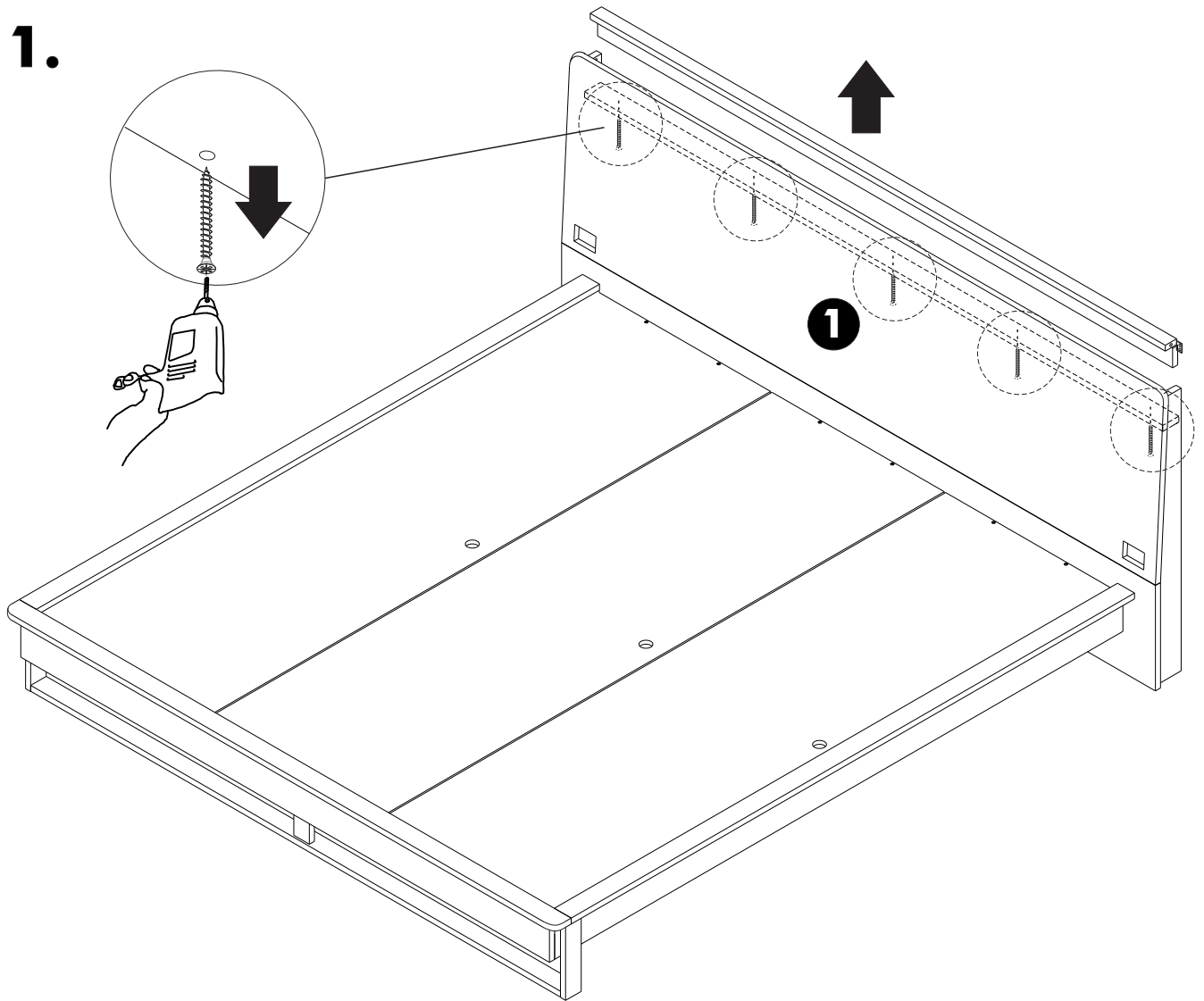
9.



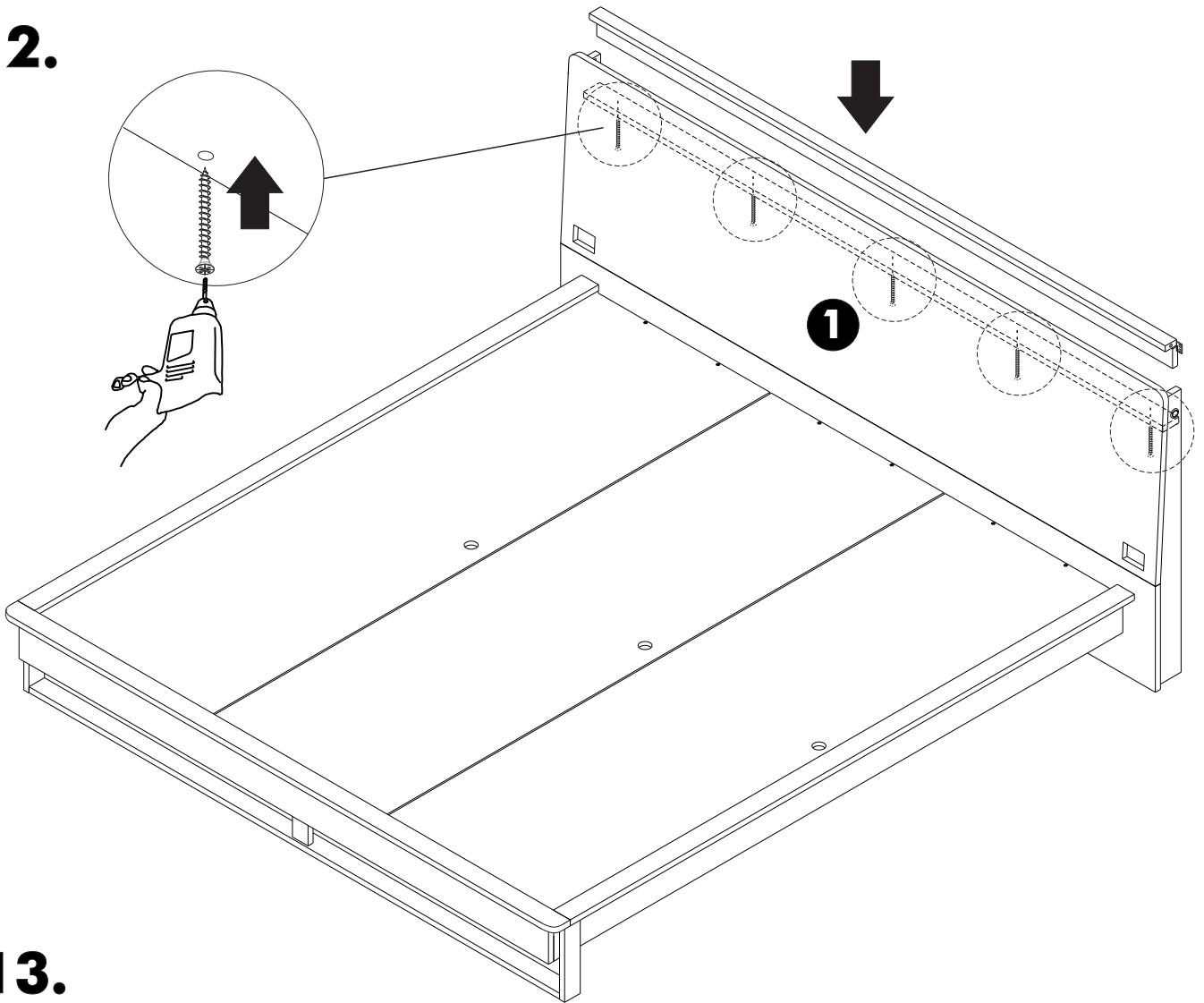
10.



11.



12.



13.

