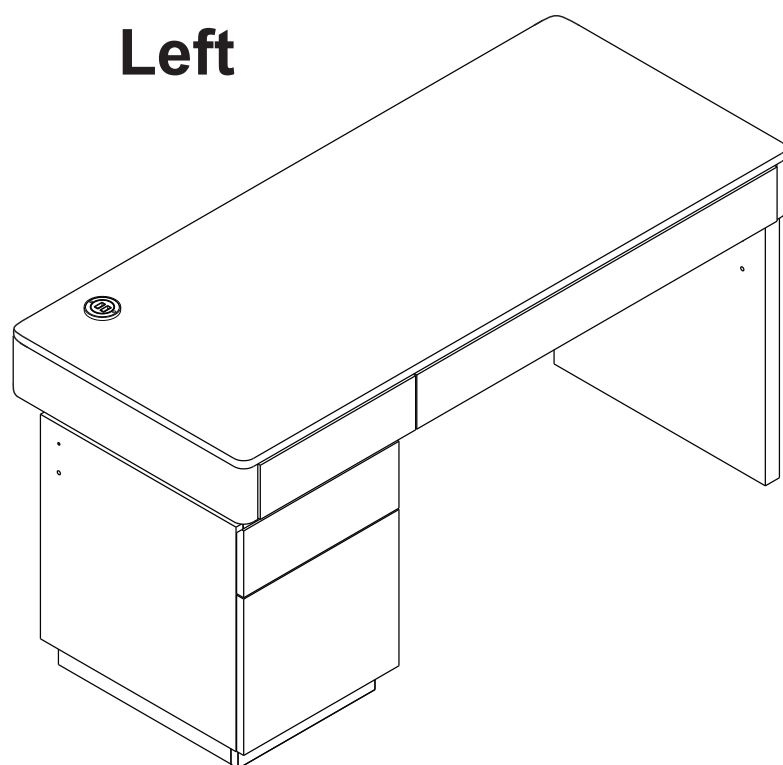
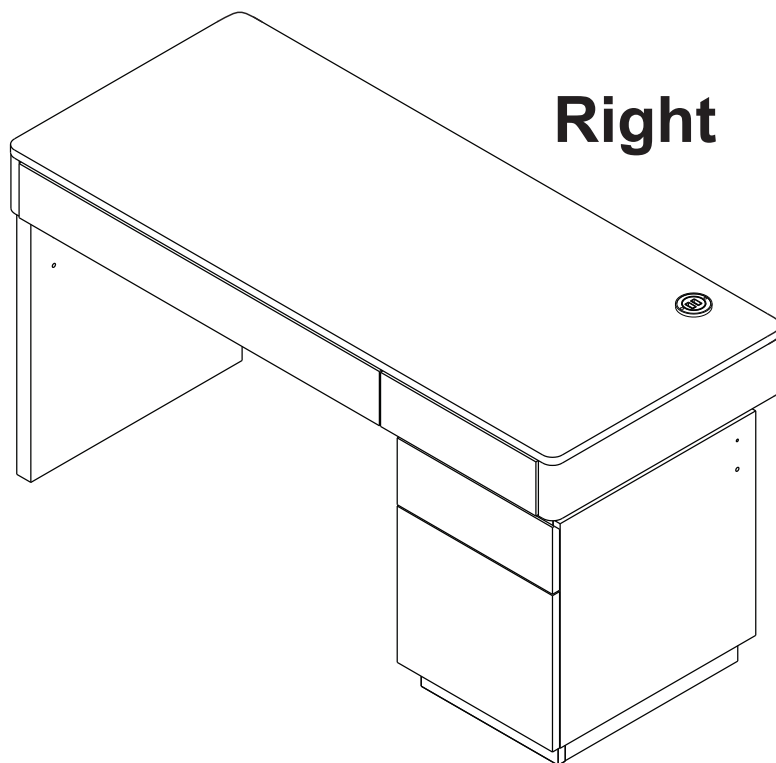


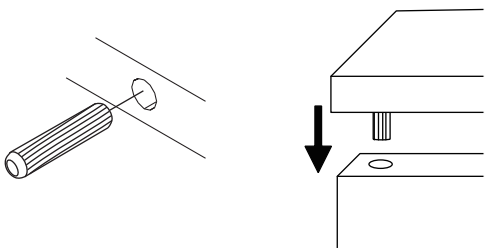
# DALGO

Working table 140 cm.

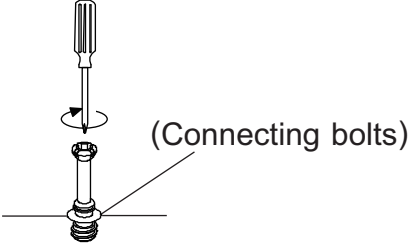


# CONNECT SYSTEM

**1**

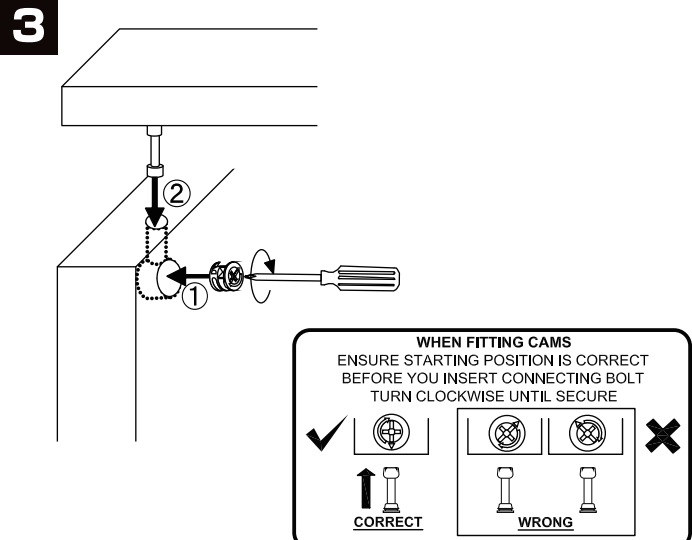


**2**



(Connecting bolts)

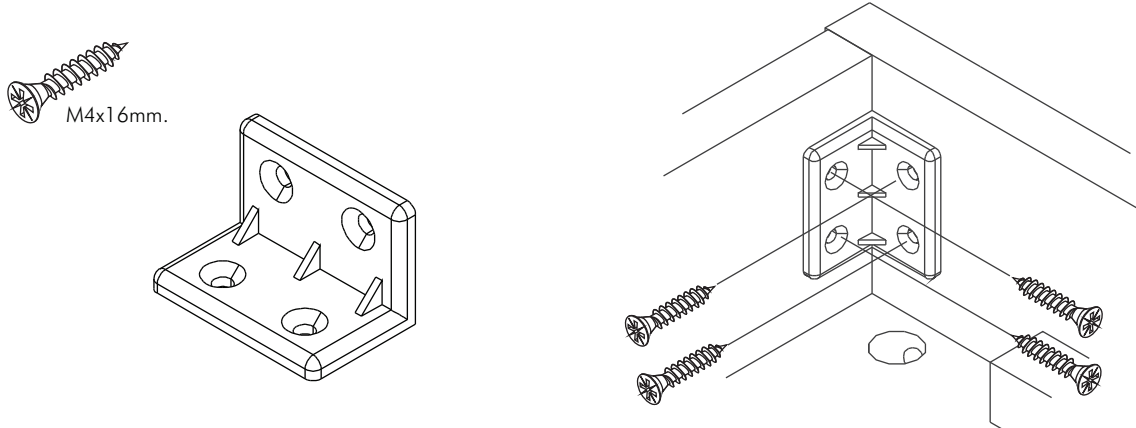
**3**



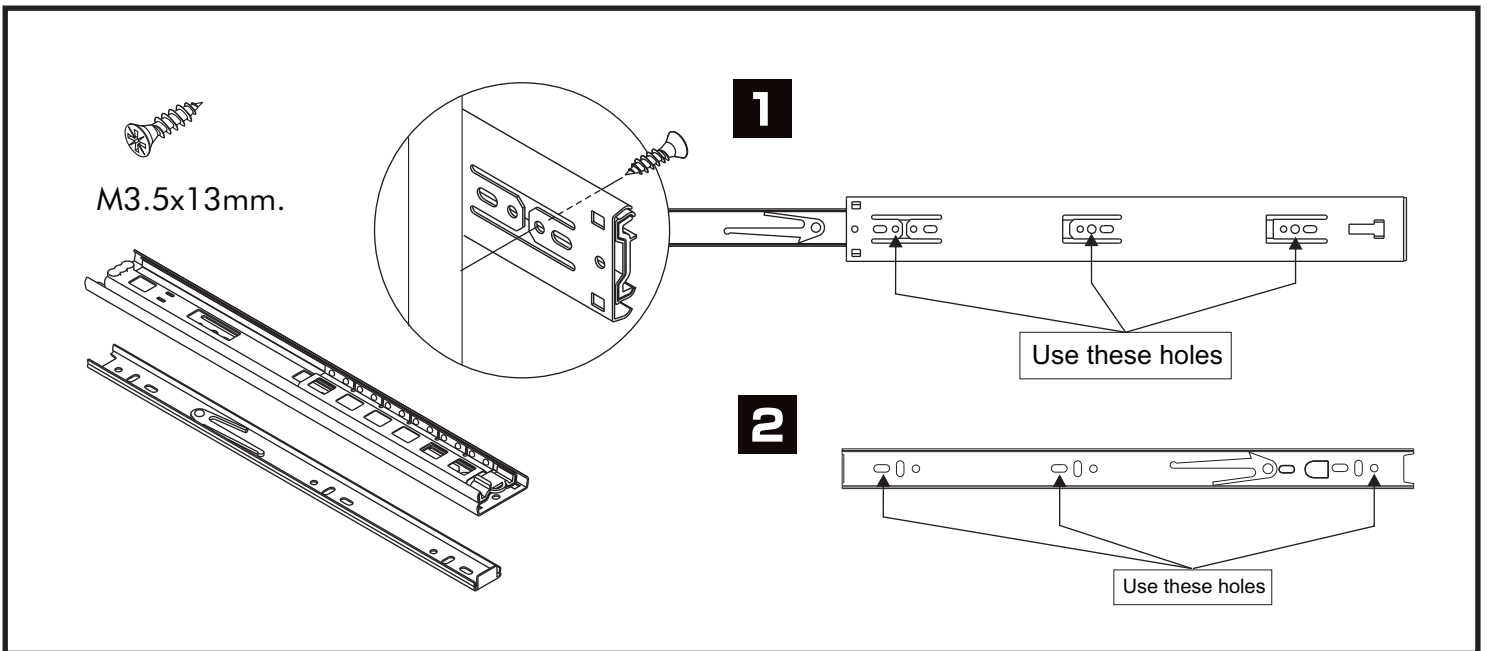
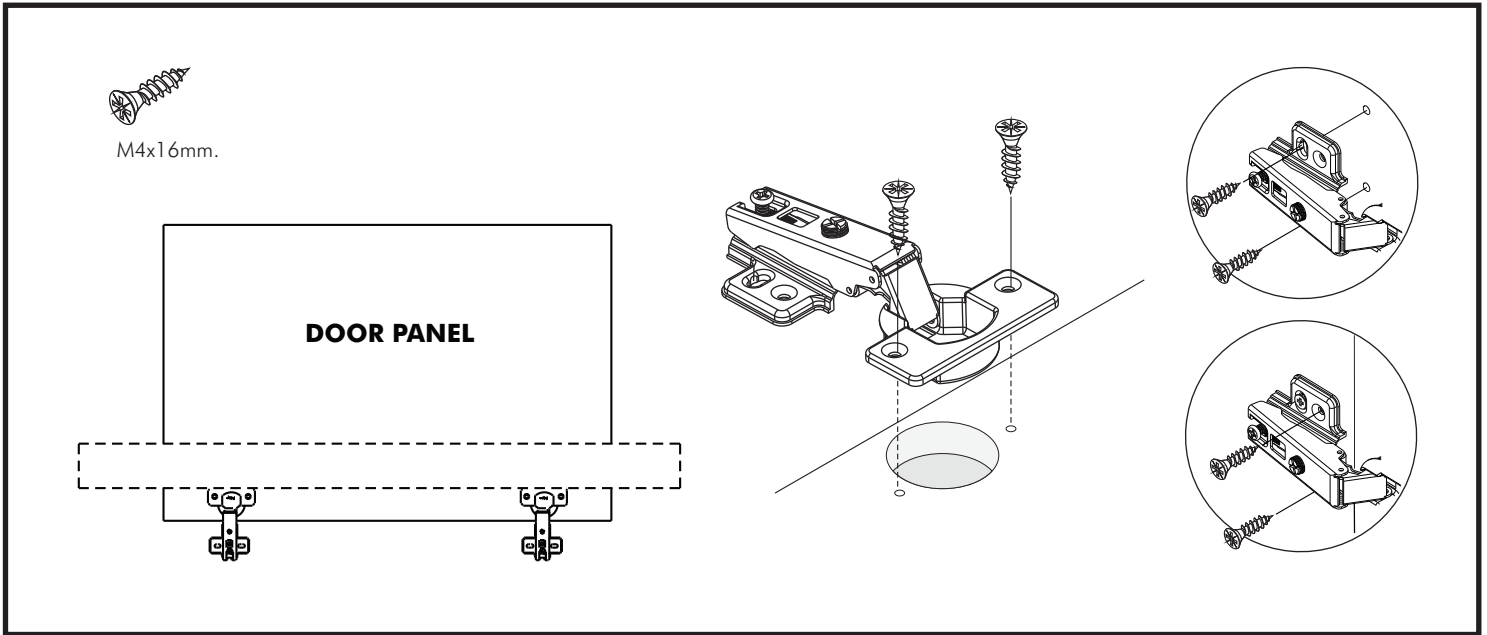
WHEN FITTING CAMS  
ENSURE STARTING POSITION IS CORRECT  
BEFORE YOU INSERT CONNECTING BOLT  
TURN CLOCKWISE UNTIL SECURE

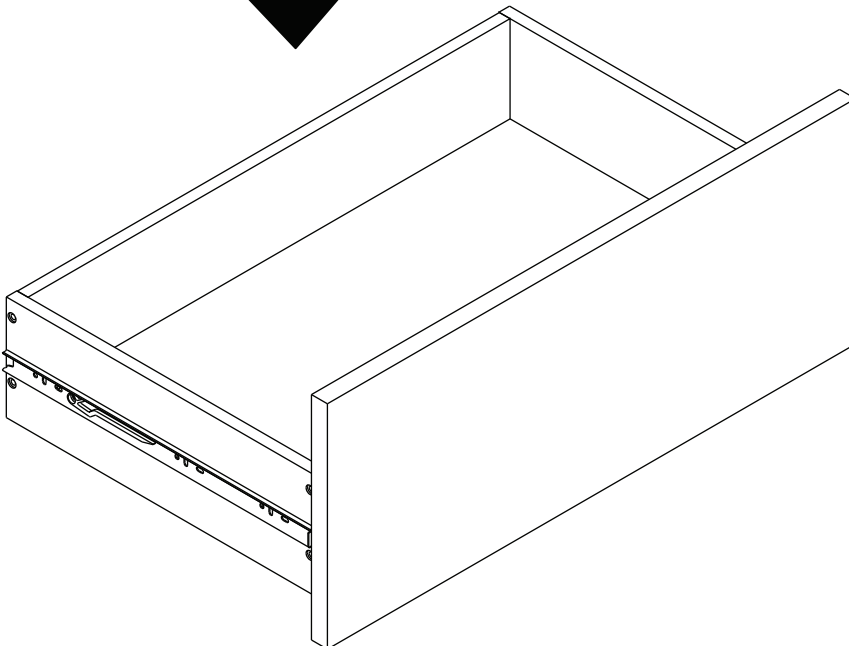
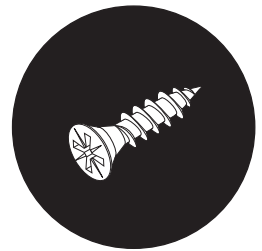
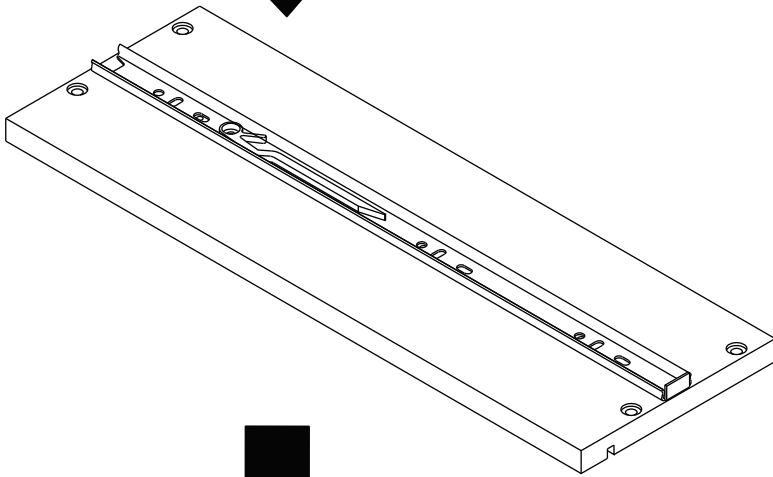
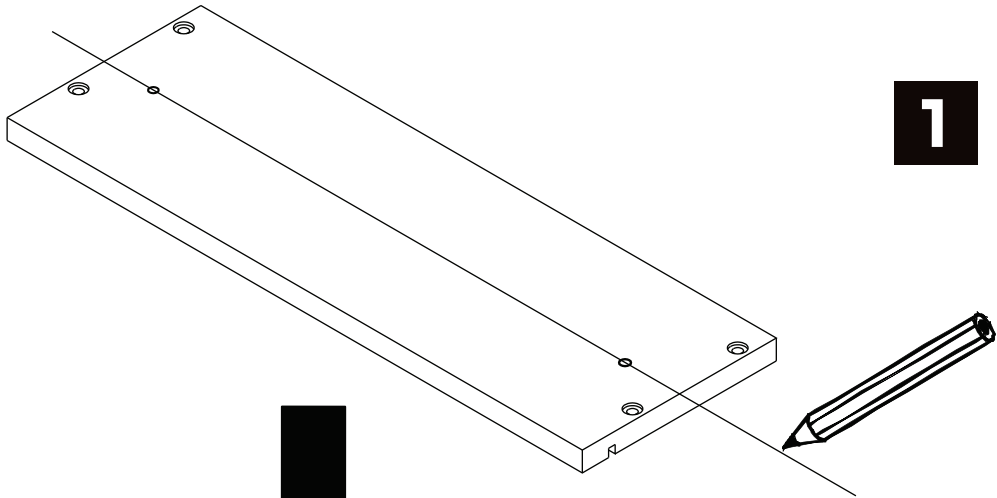
**CORRECT**

**WRONG**



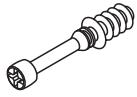
M4x16mm.





## HARDWARE

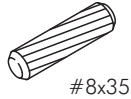
### -BODY SET



**x 32**

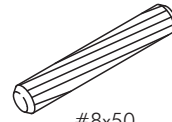


**x 32**



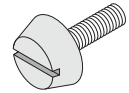
#8x35

**x 36**



#8x50

**x 2**

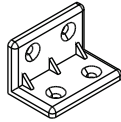


**x 6**



#5x18mm.

**x 2**



**x 23**



M4x16mm.

**x 92**



M4x40mm.

**x 28**



M4x50mm.

**x 14**

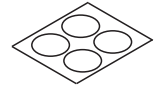


M4x25mm.

**x 5**



**x 2**



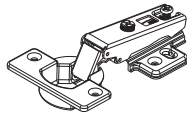
**x 4**

## HARDWARE

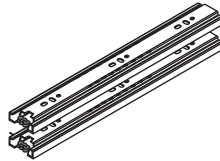
### -DOOR SET



**x 4**



**x 2**



**x 3**



M4x16mm.

**x 12**

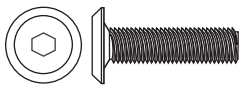


M3.5x13mm.

**x 36**

## HARDWARE

### -DRAWER SET

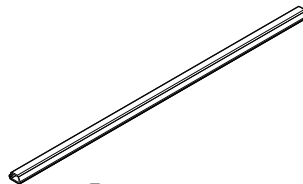


M6x23mm.

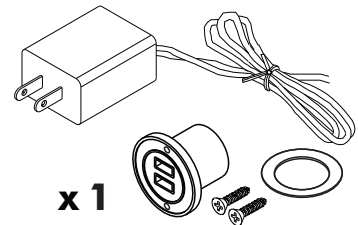
**x 2**

## HARDWARE

### -LAMP SET



**x 1**

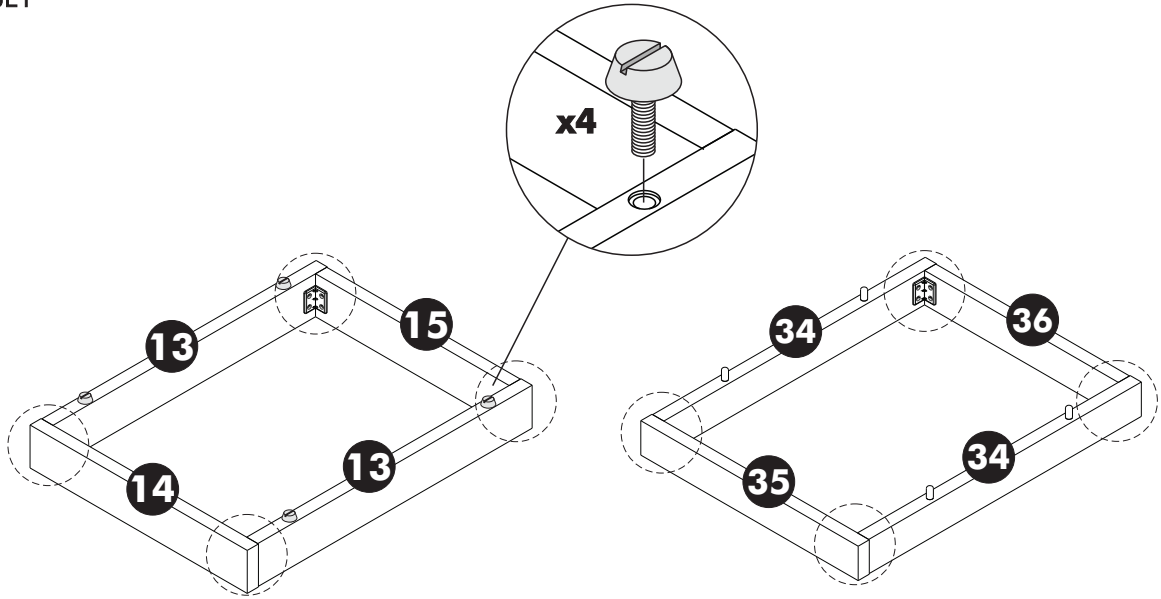


**x 1**

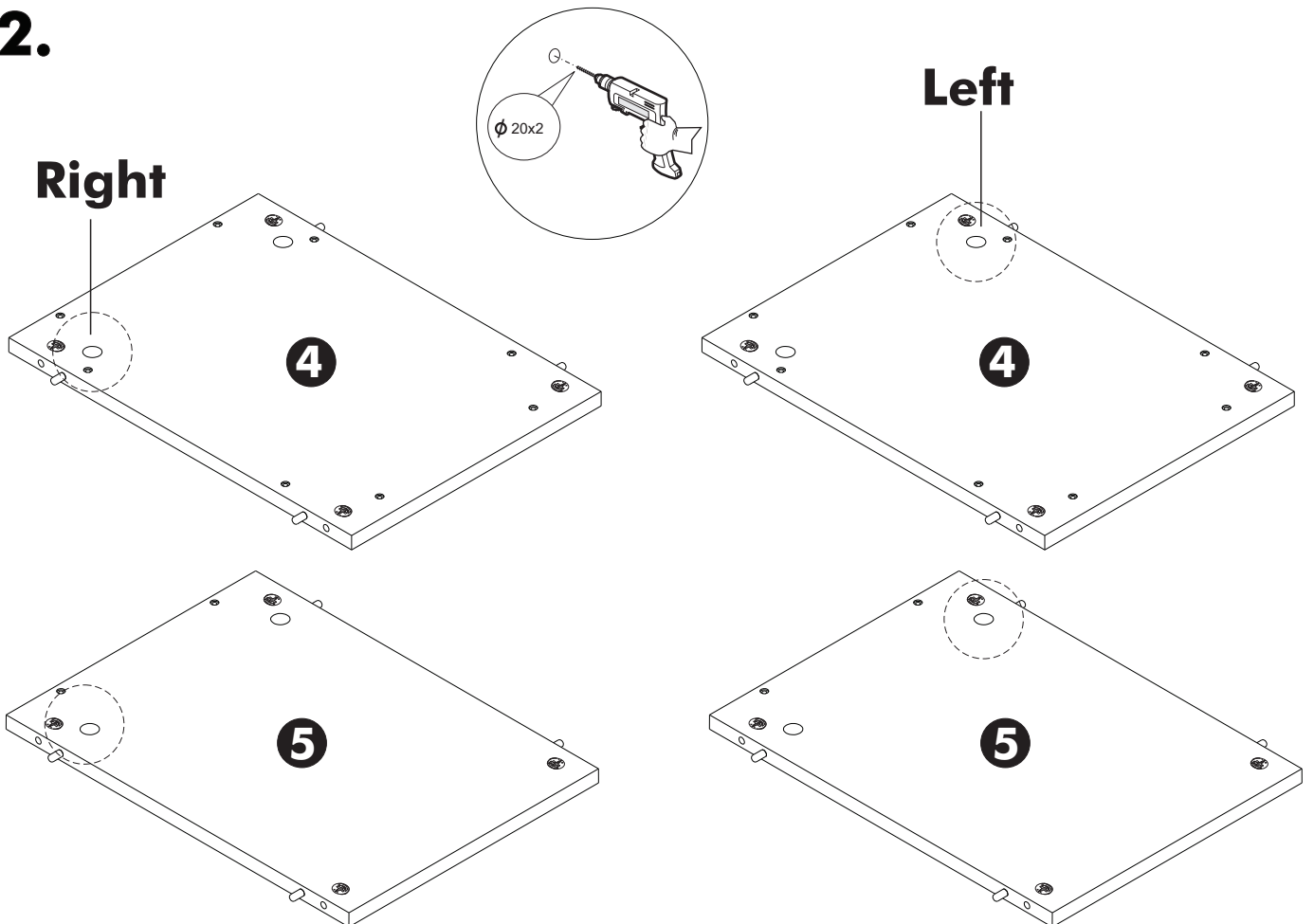
# ASSEMBLY

-BODY SET

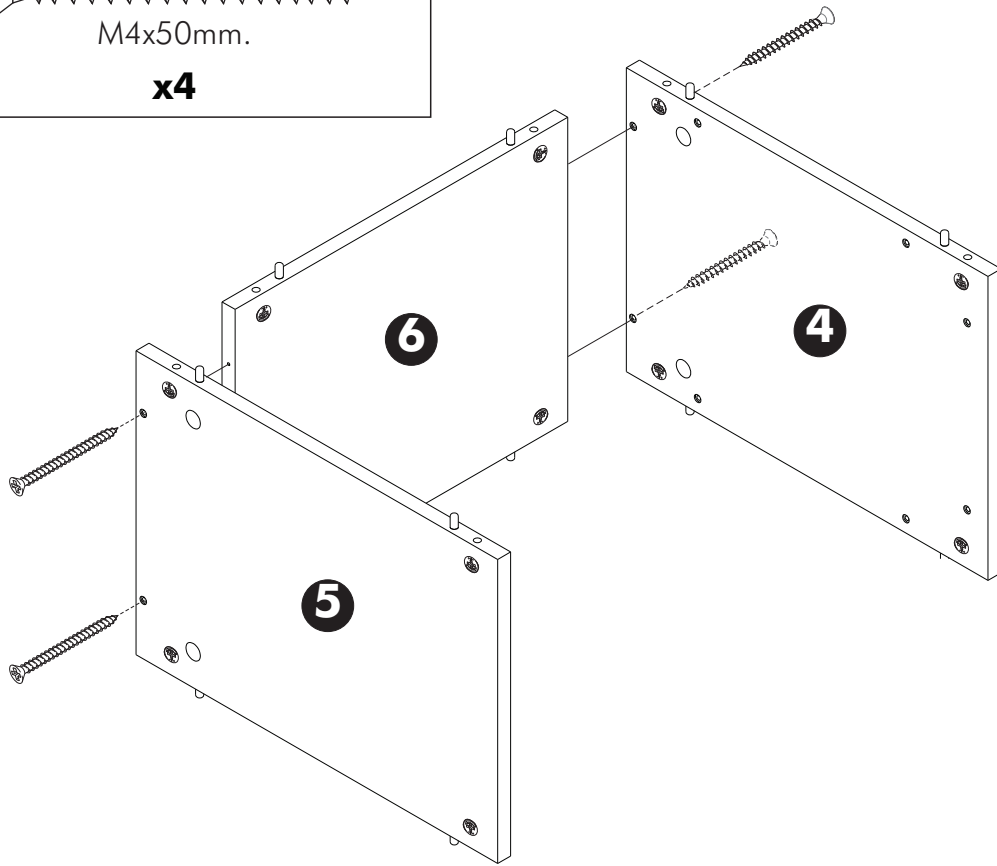
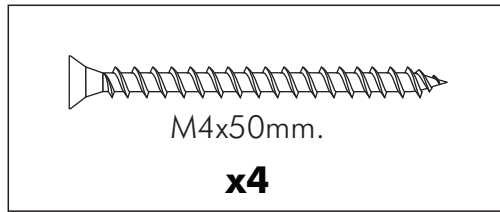
## 1.



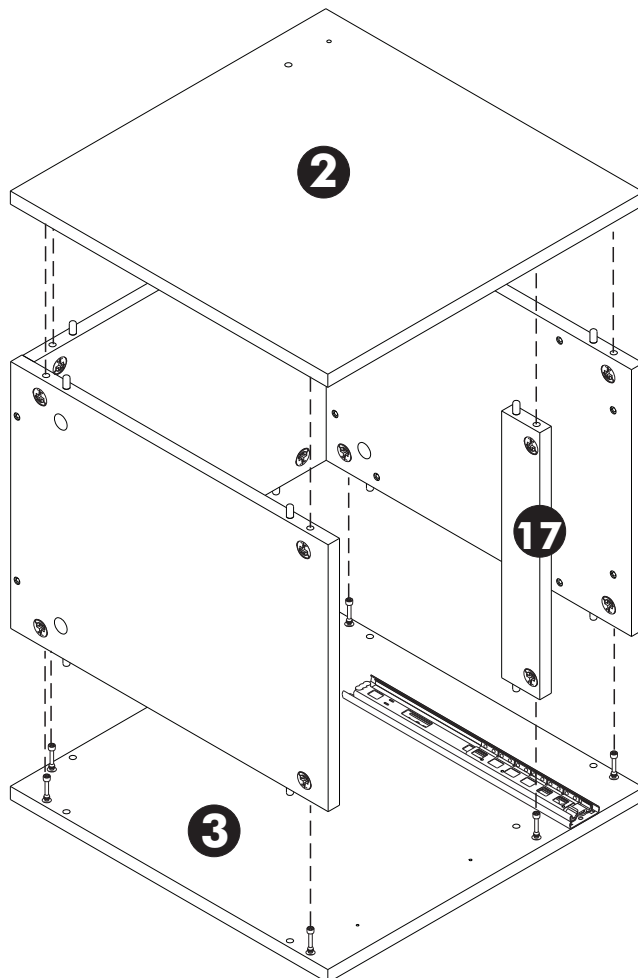
## 2.



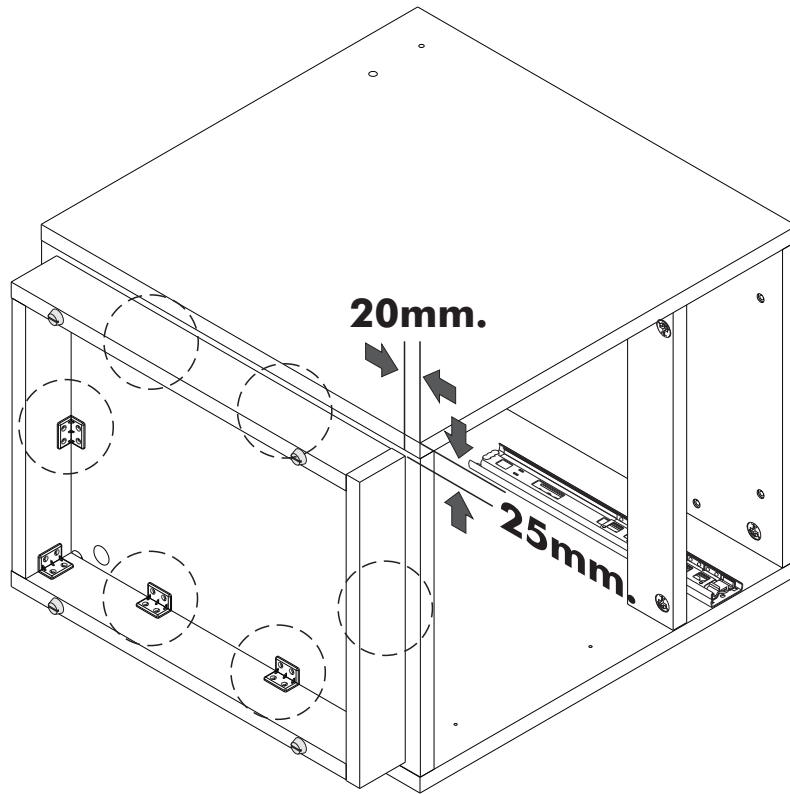
**3.**



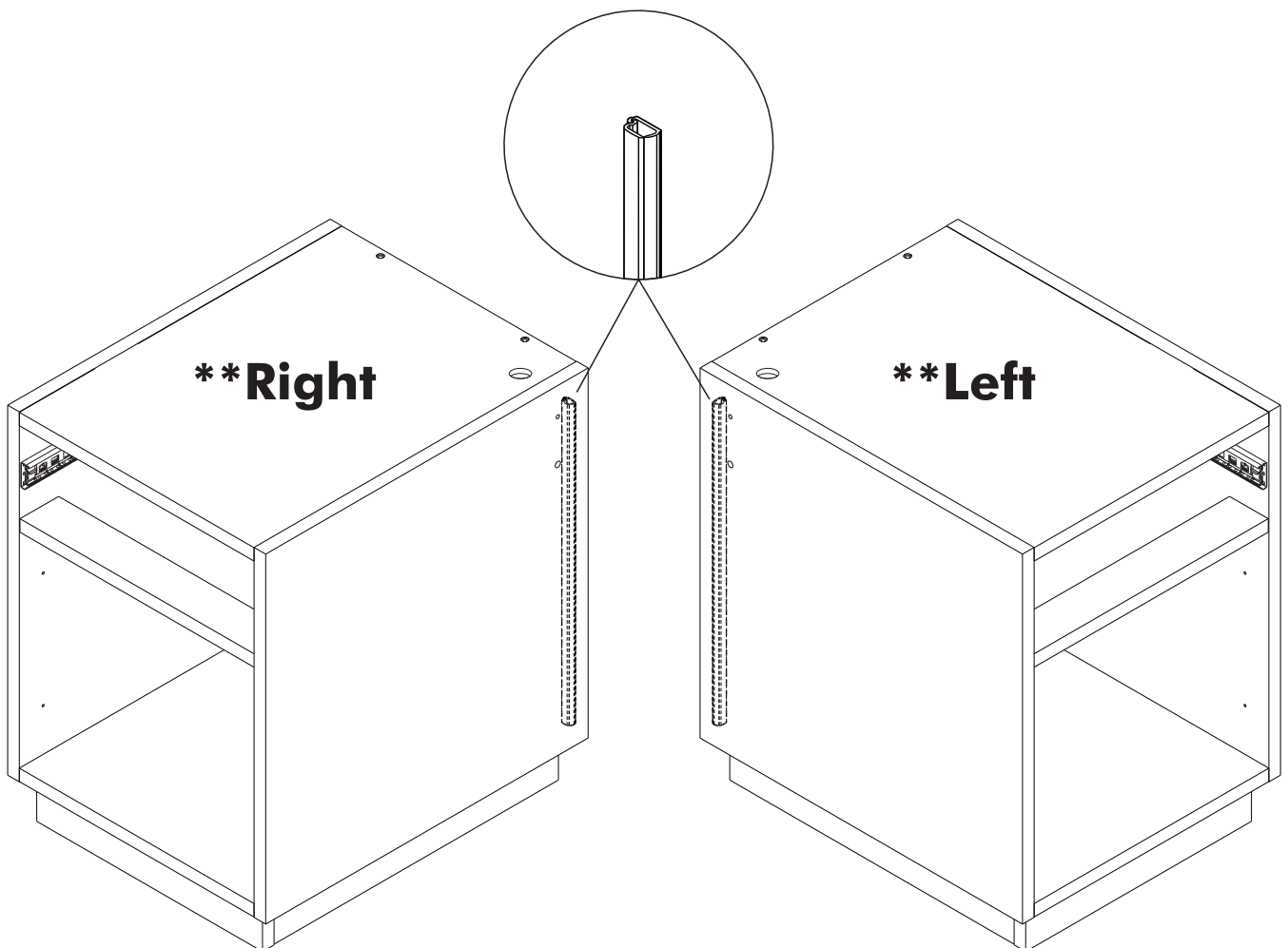
**4.**



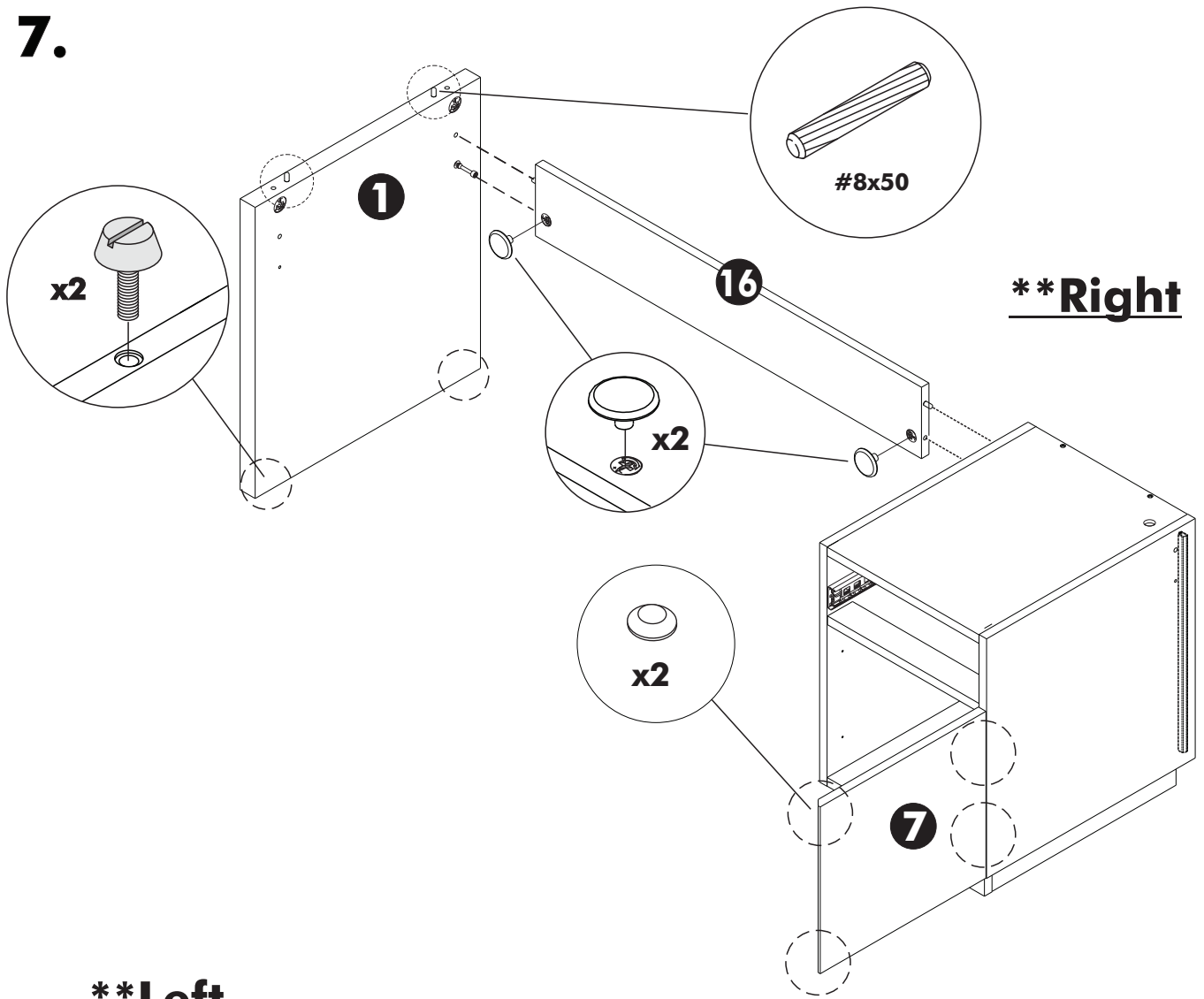
**5.**



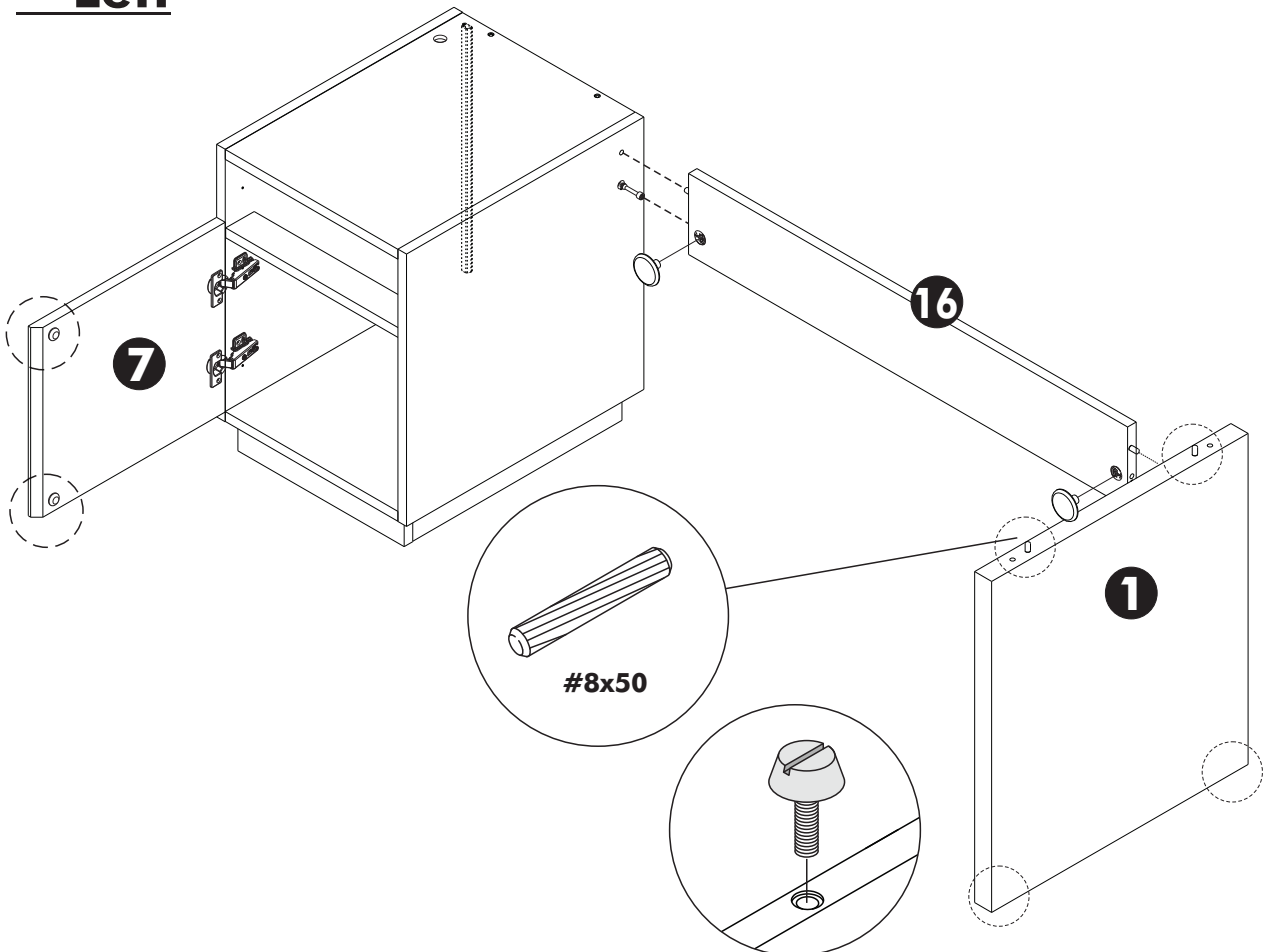
**6.**



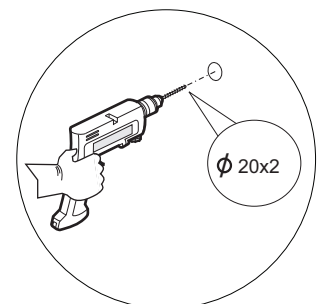
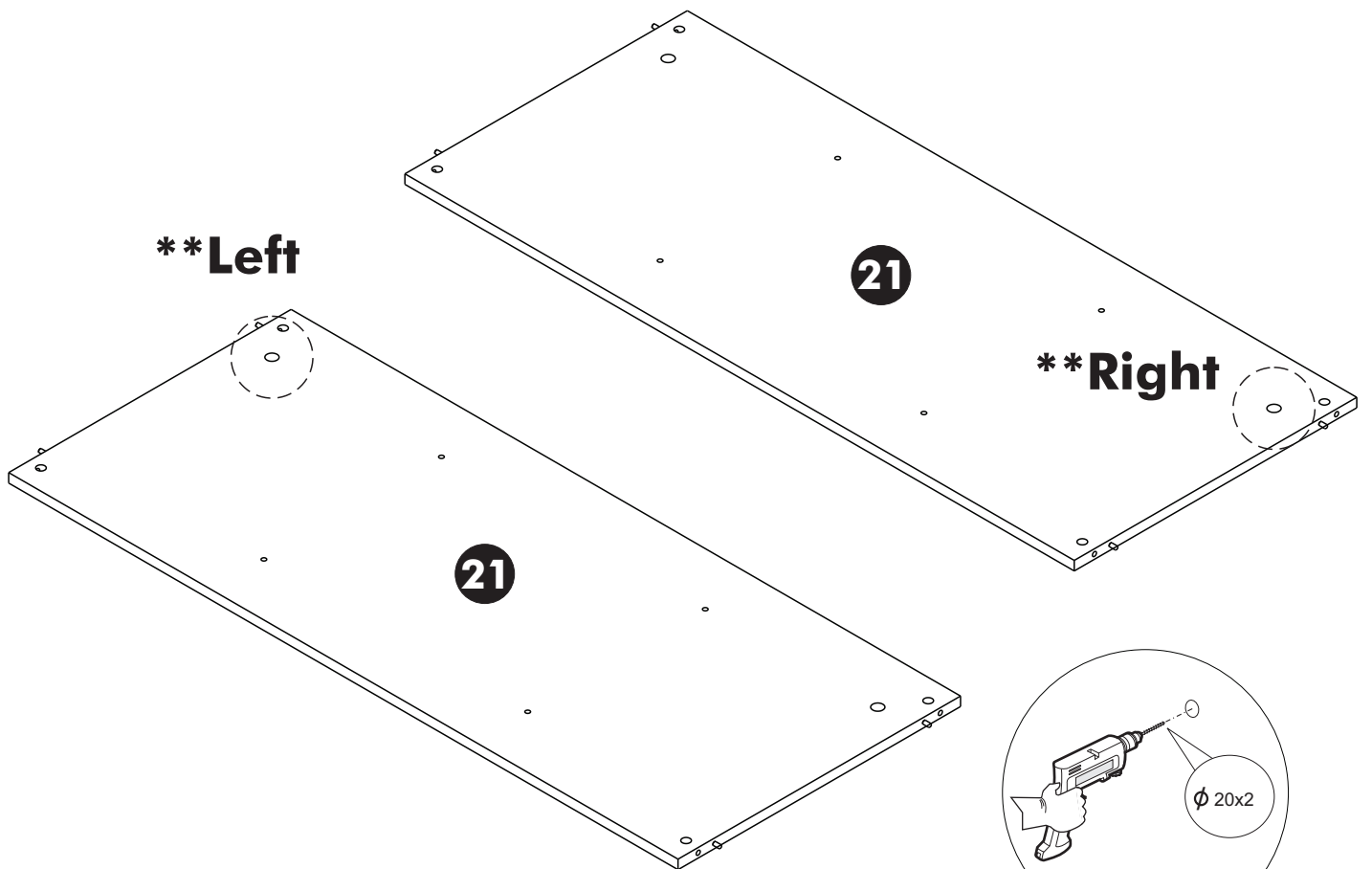
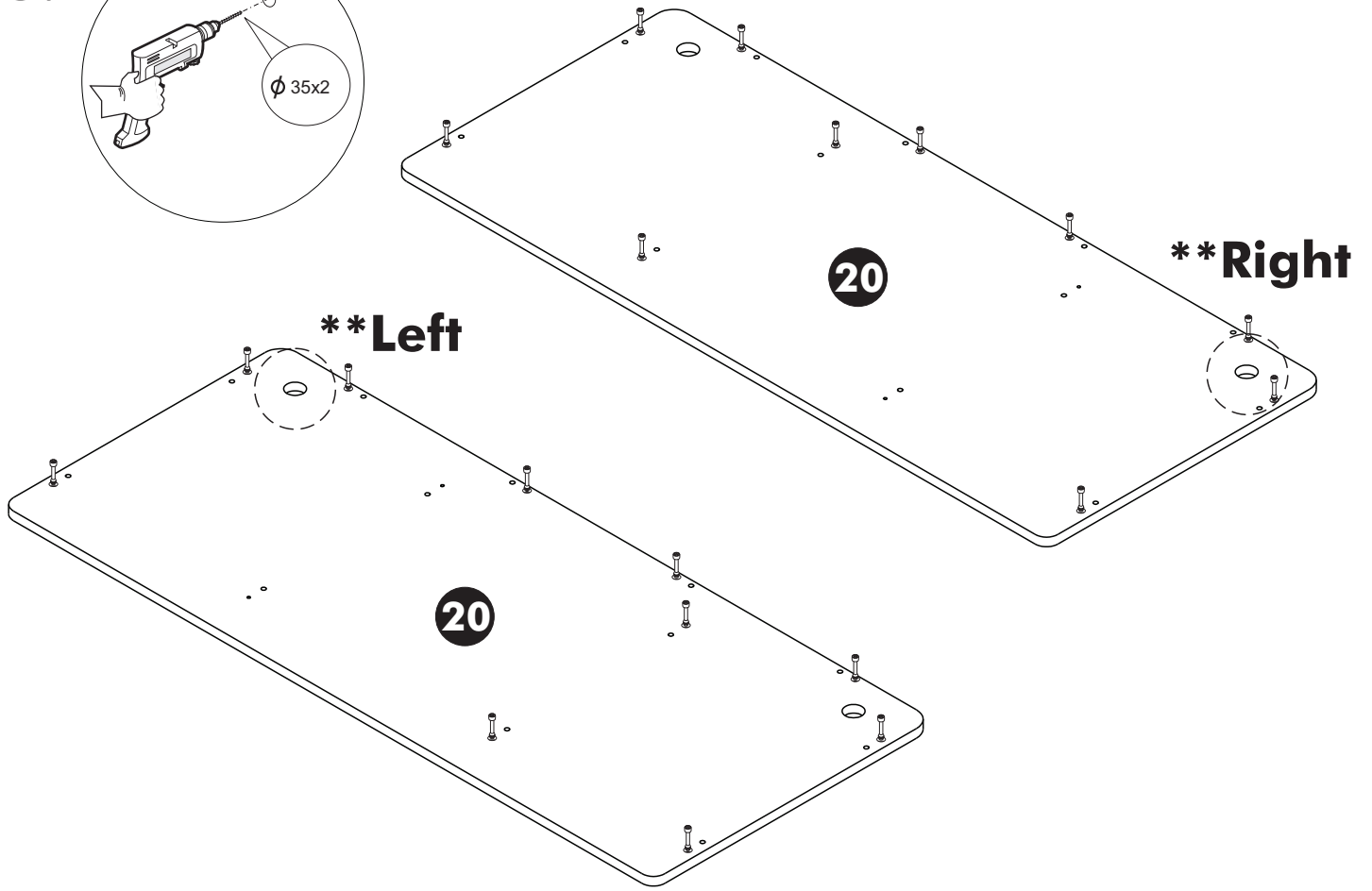
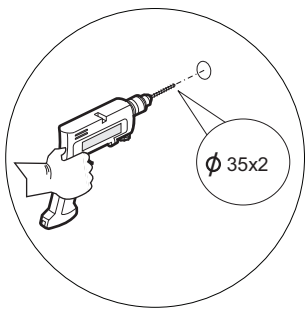
**7.**



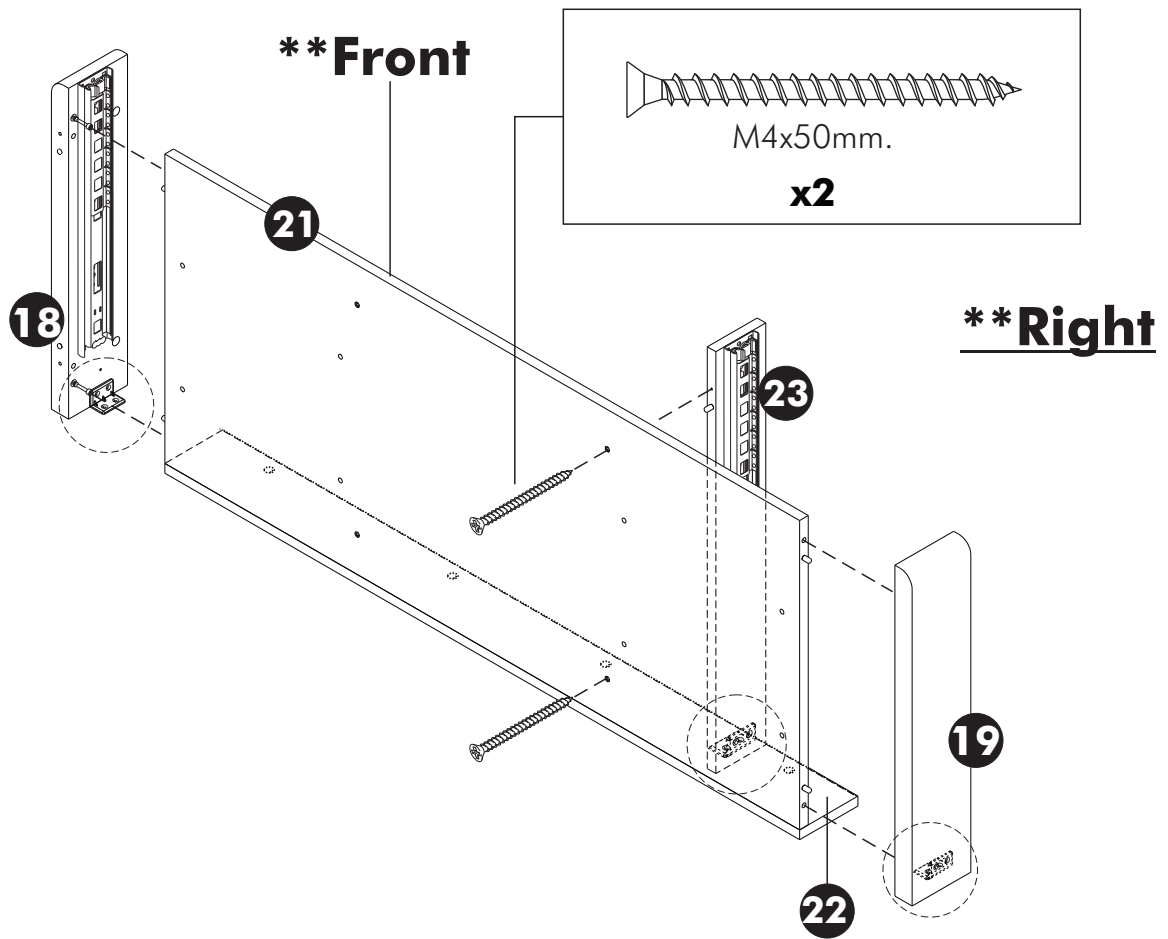
**\*\*Left**



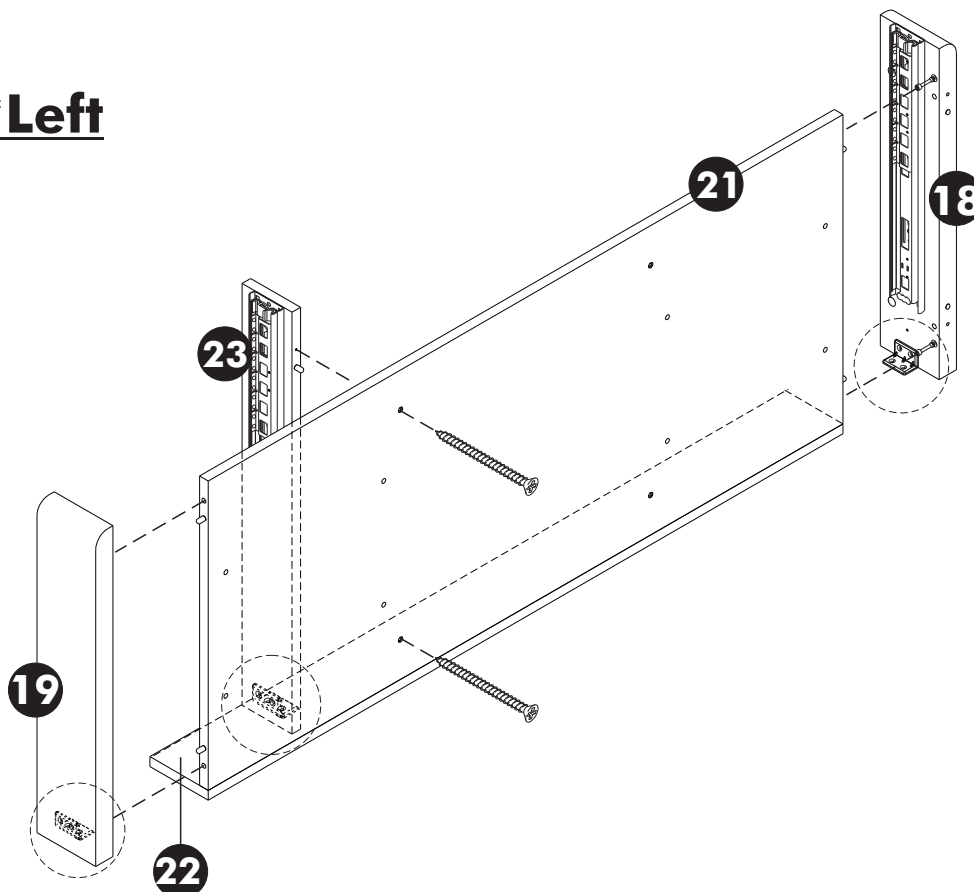
8.



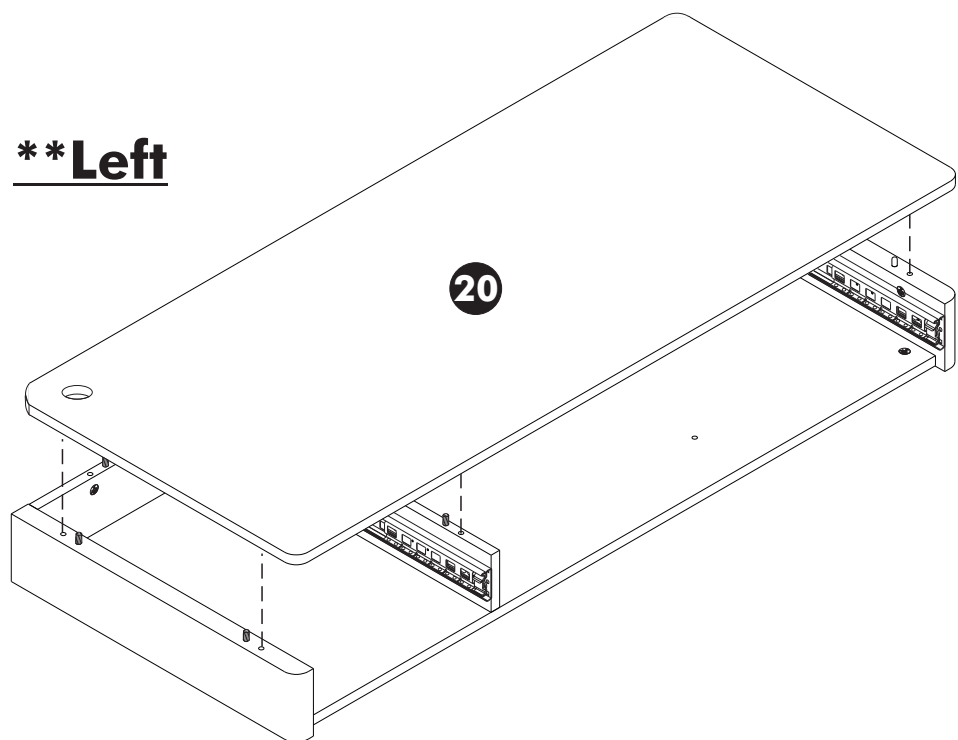
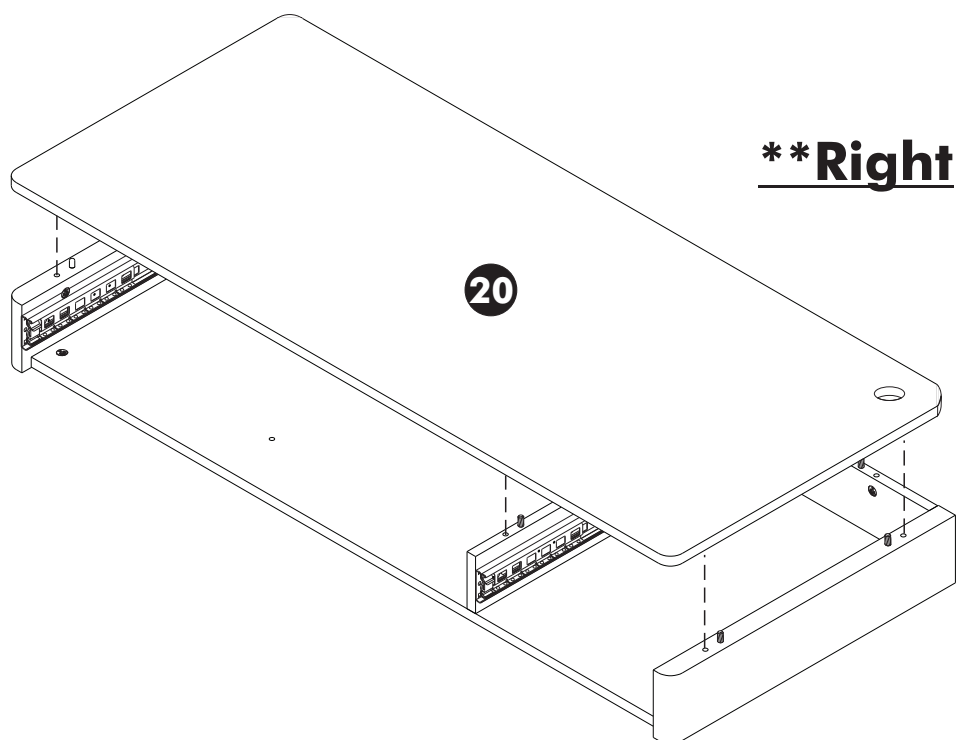
9.



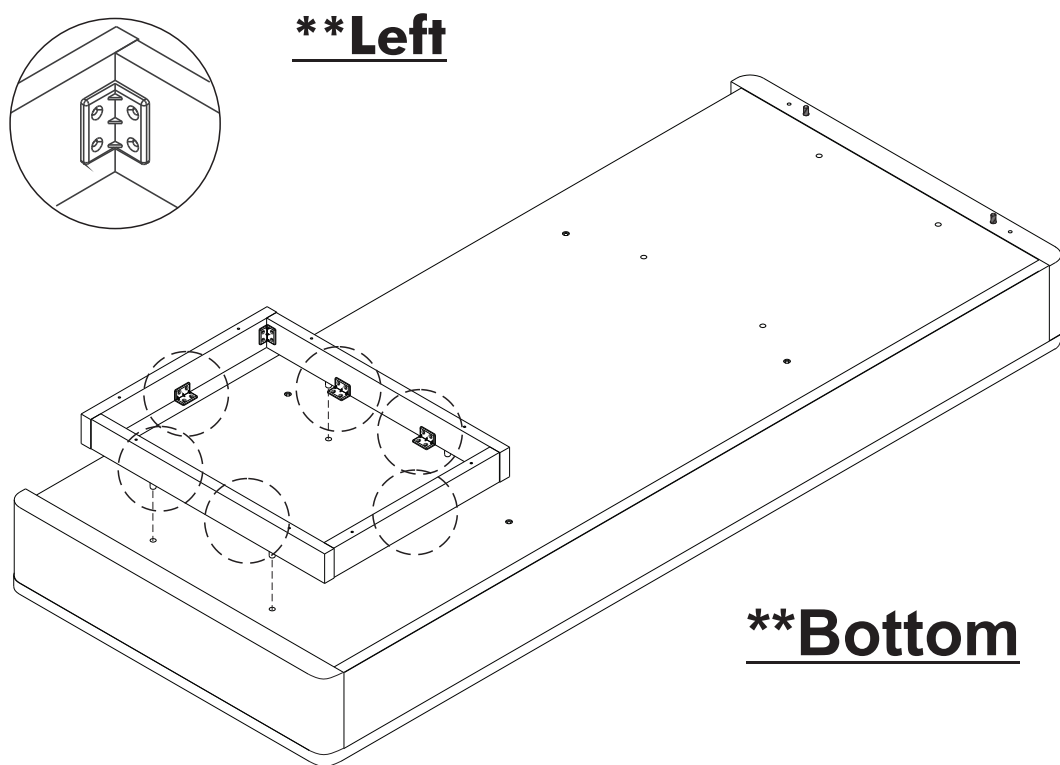
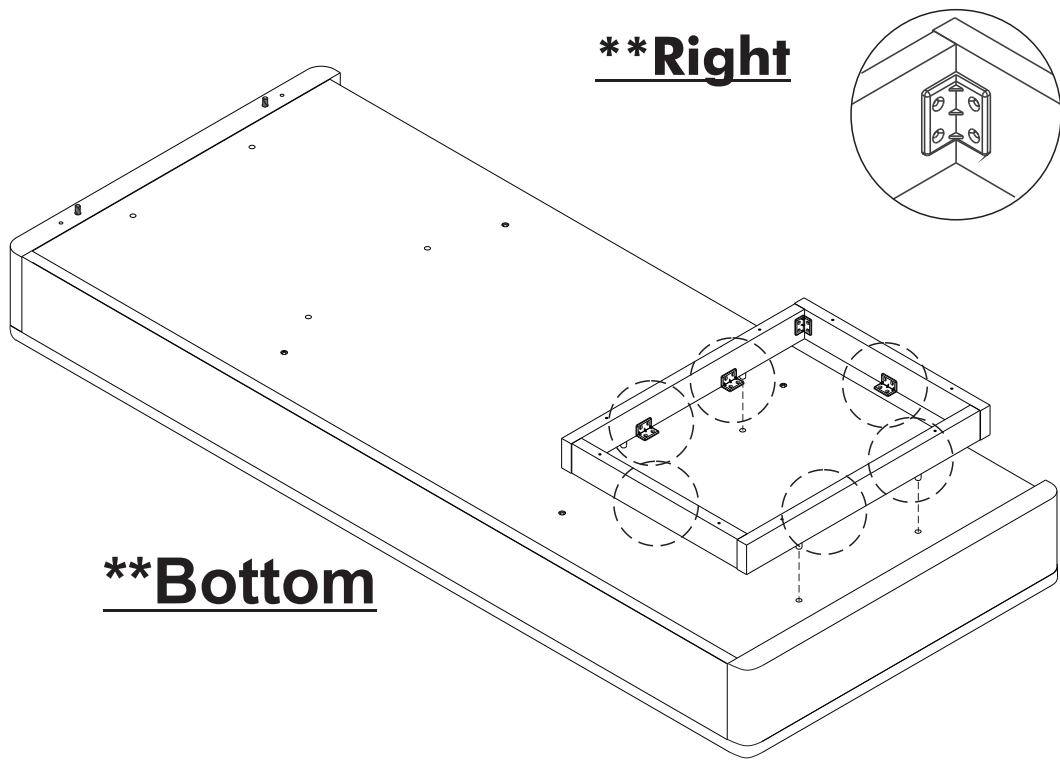
**\*\*Left**



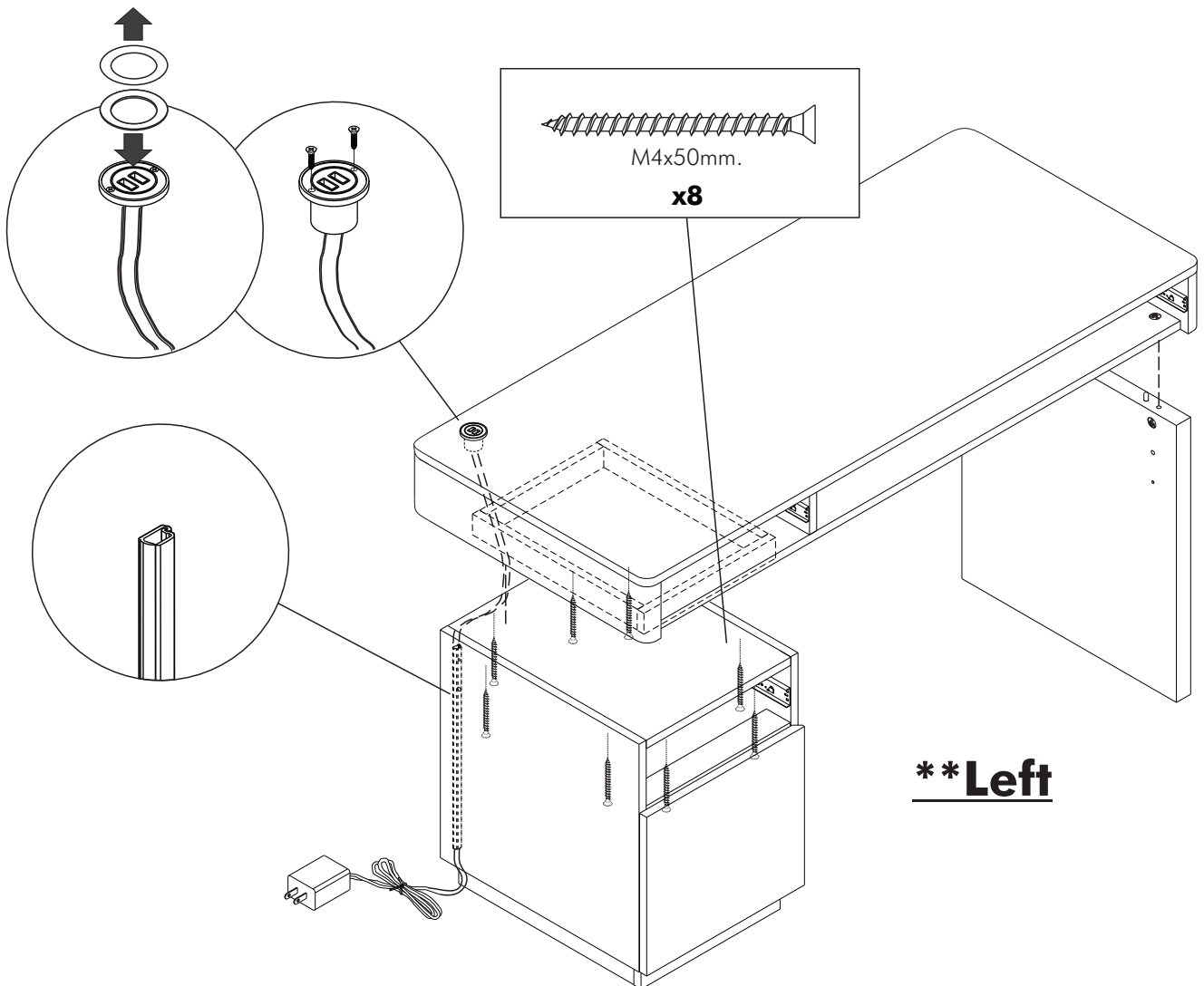
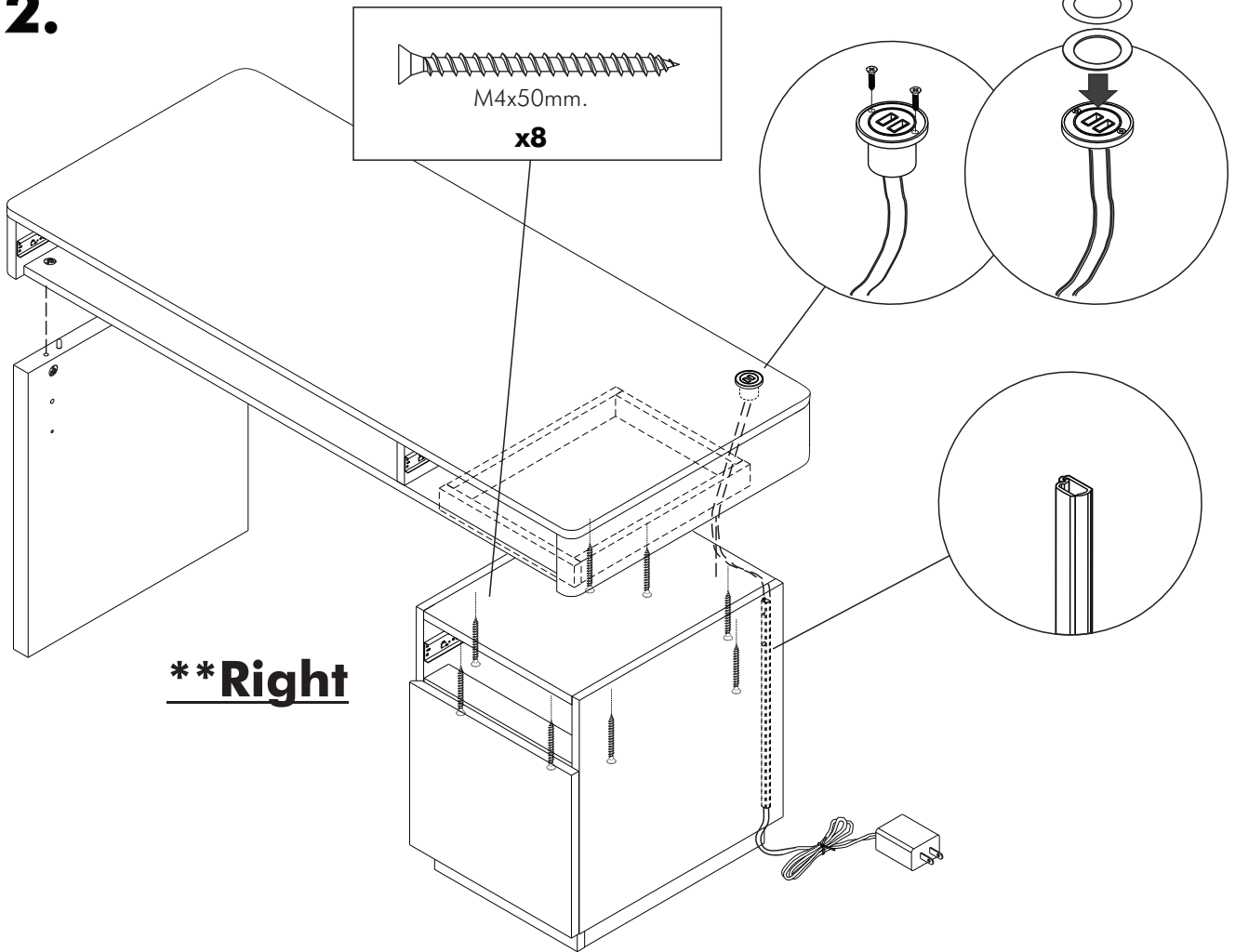
**10.**



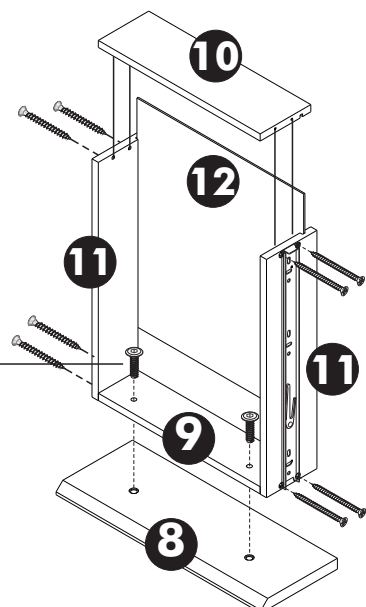
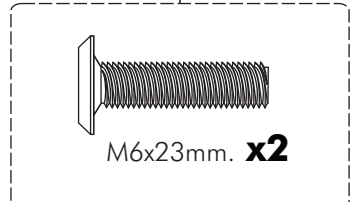
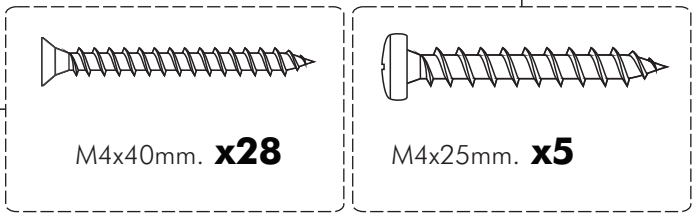
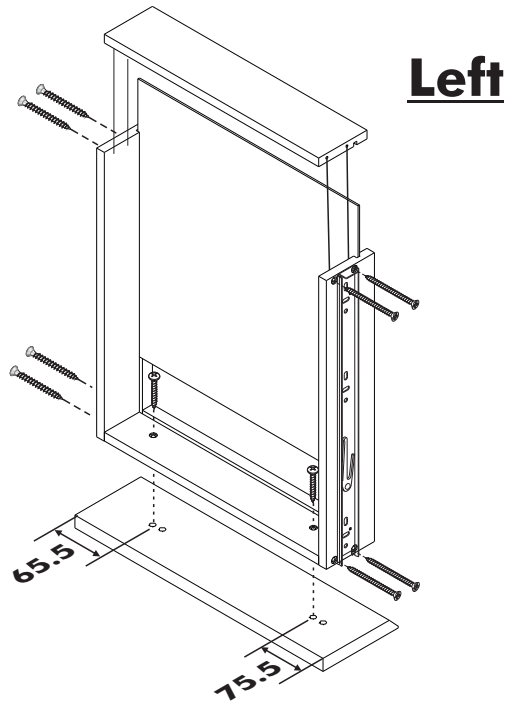
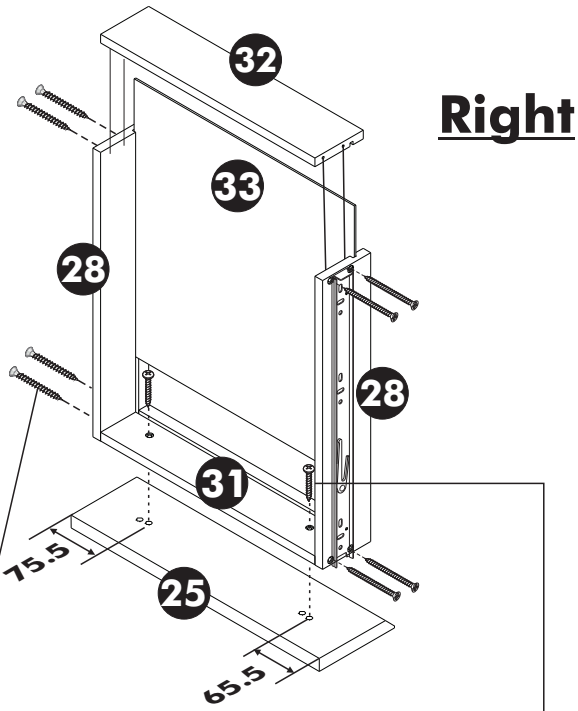
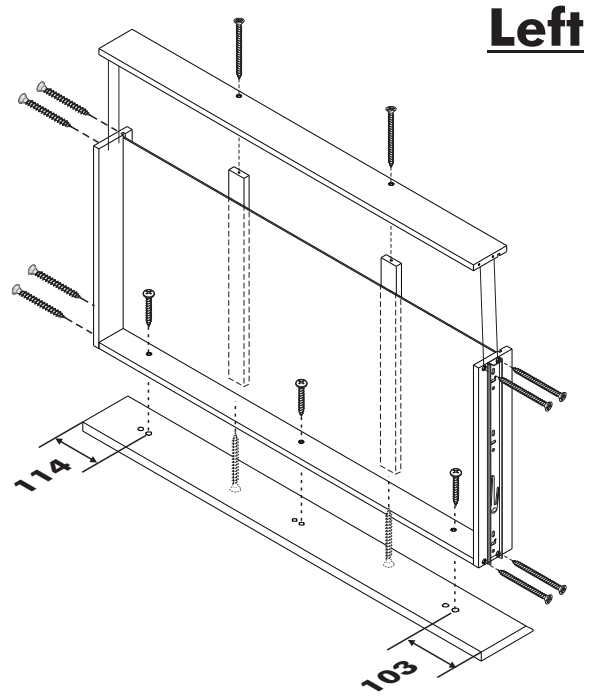
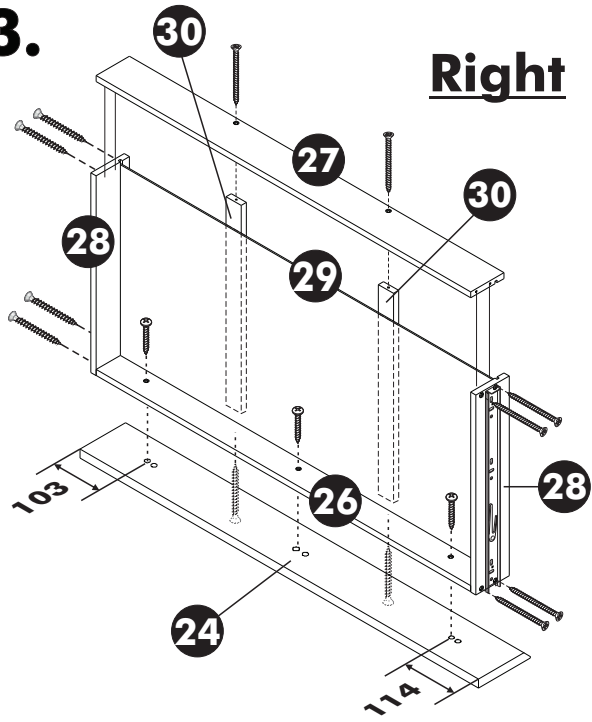
**11.**



**12.**

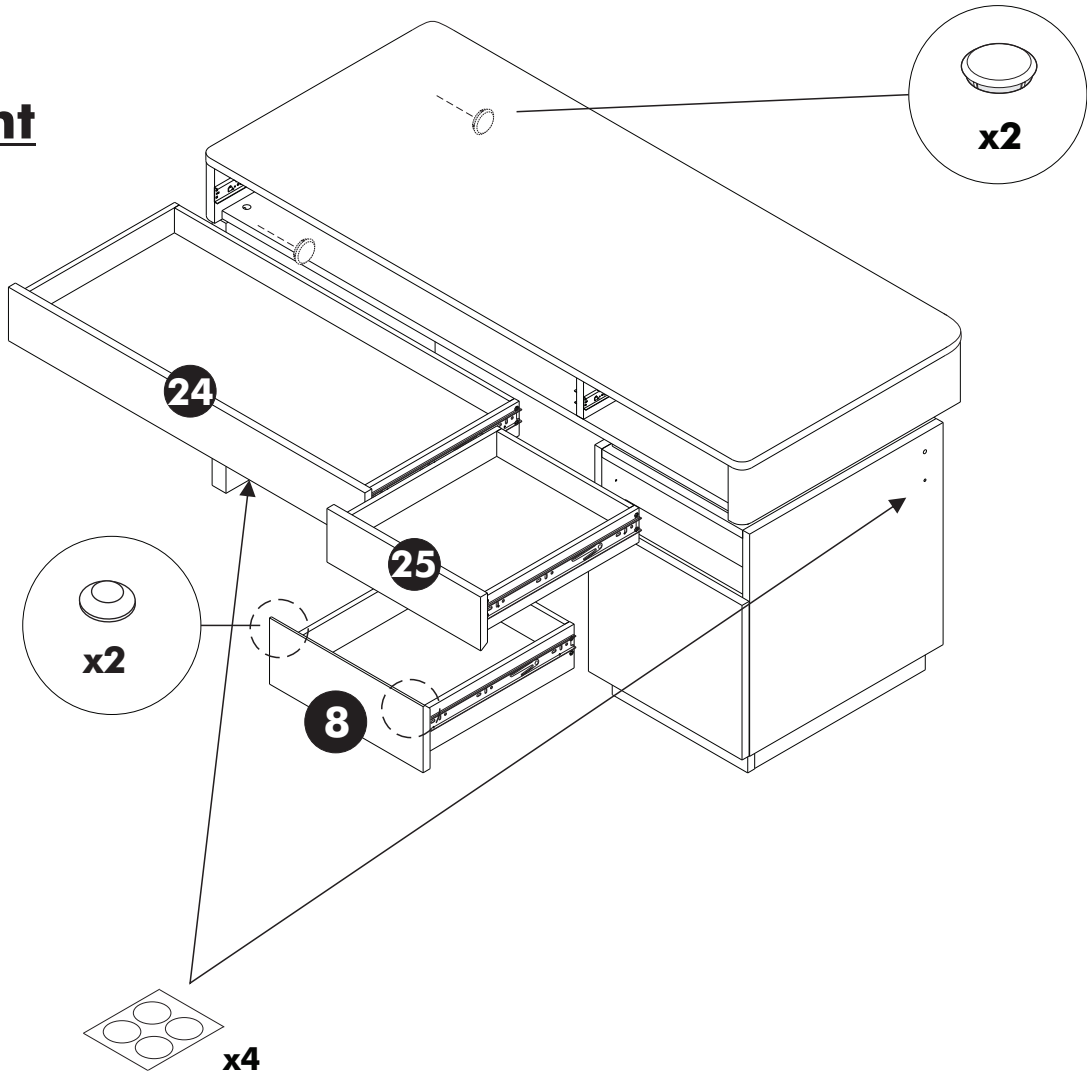


**13.**



# 14.

**\*\*Right**



**\*\*Left**

