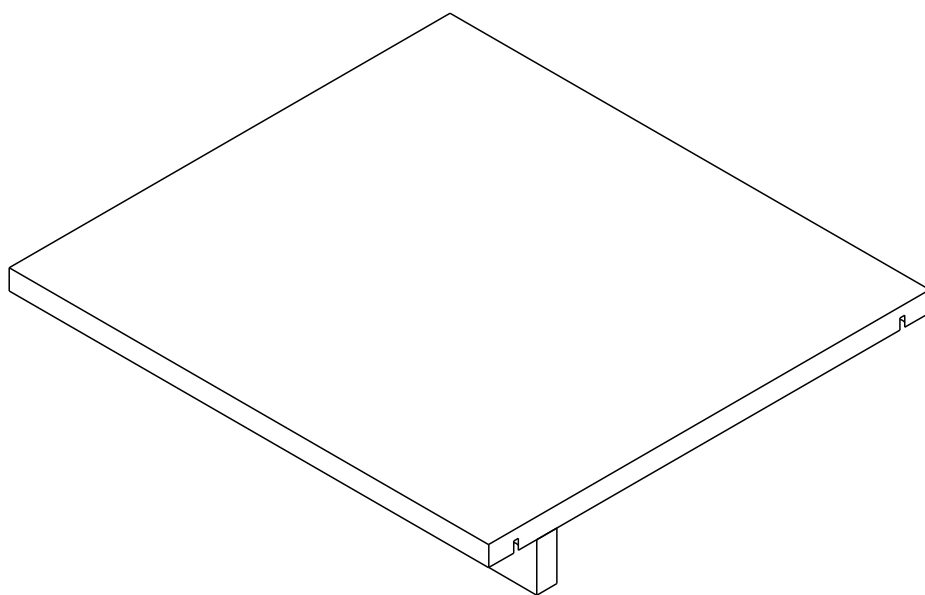
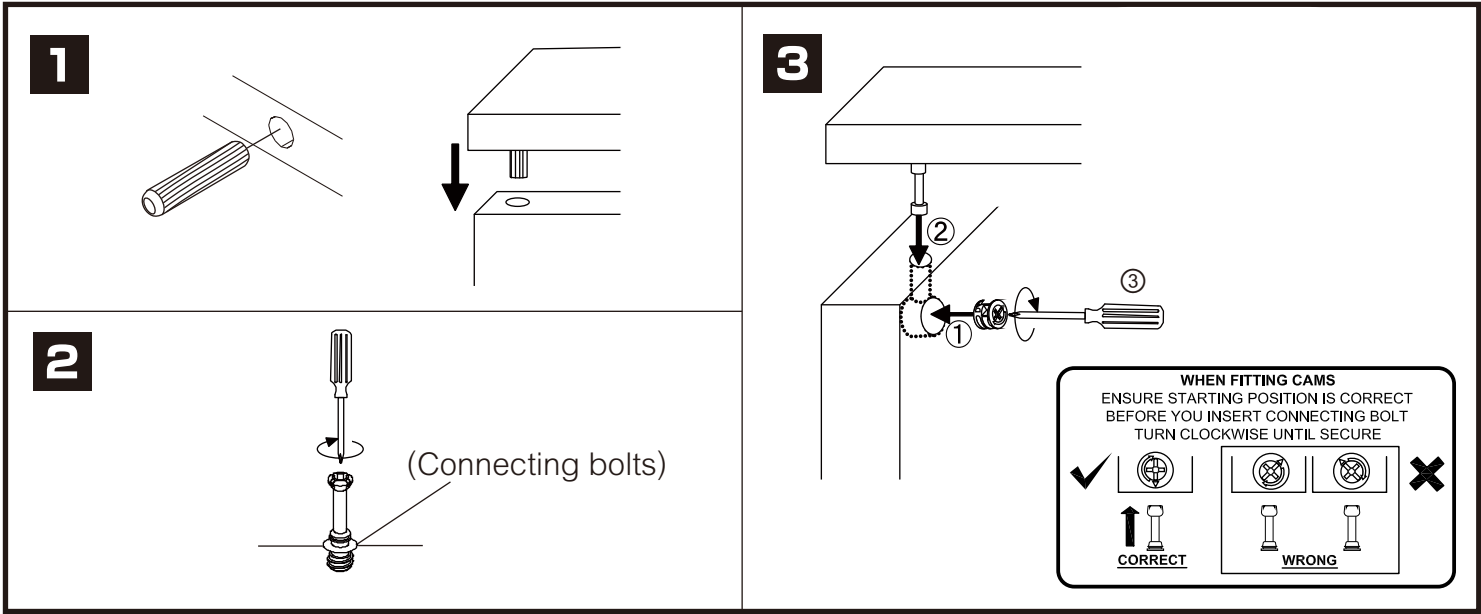


# ITAL-STANDARD

**SHELF + LED 50 CM.**

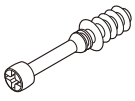


# CONNECT SYSTEM



# HARDWARE

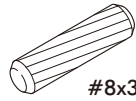
## -BODY SET



**x 2**

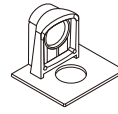


**x 2**



#8x35

**x 2**



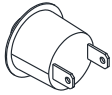
**x 4**



M4x16mm.

**x 4**

## -LAMP SET



**x 1**



**x 10**

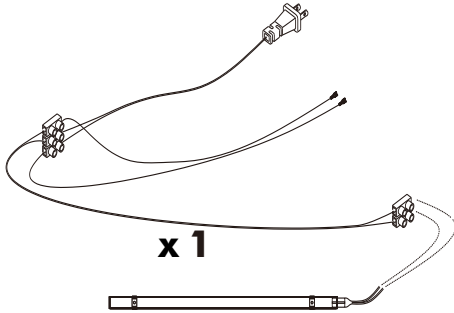


**x 10**

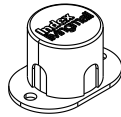


M5x3/4mm.

**x 2**



**x 1**

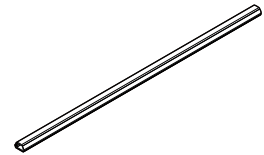


**x 1**



M3.5x16mm.

**x 2**

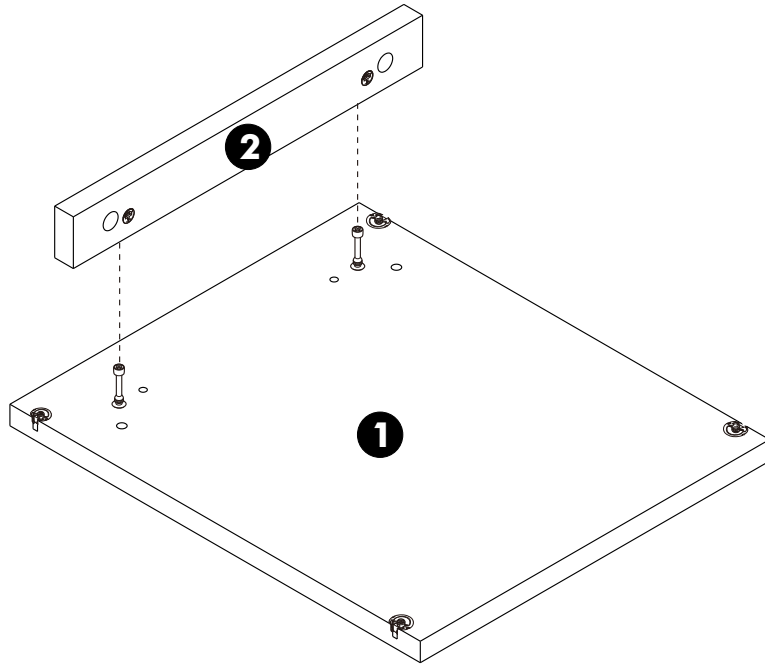


**x 1**

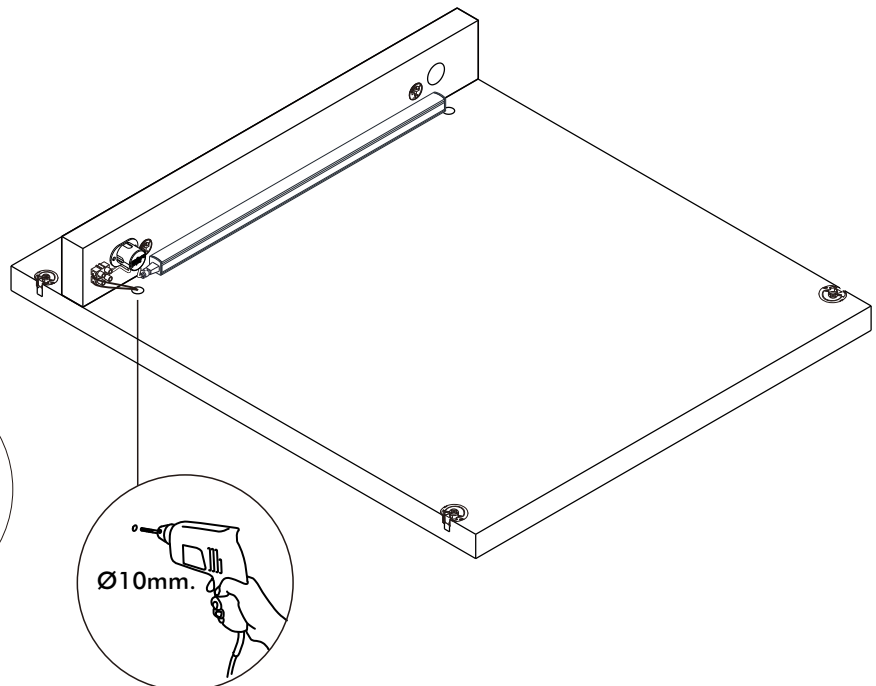
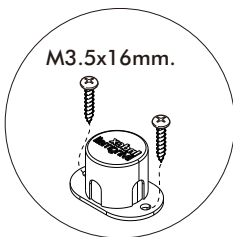
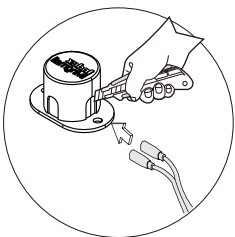
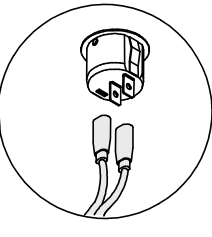
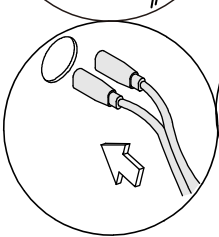
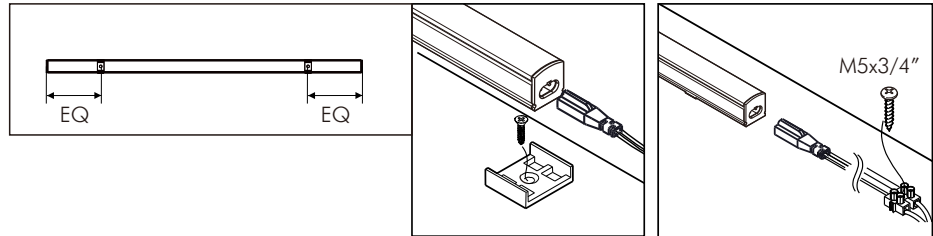
# ASSEMBLY

-BODY SET

## 1.



## 2.



# 3.

