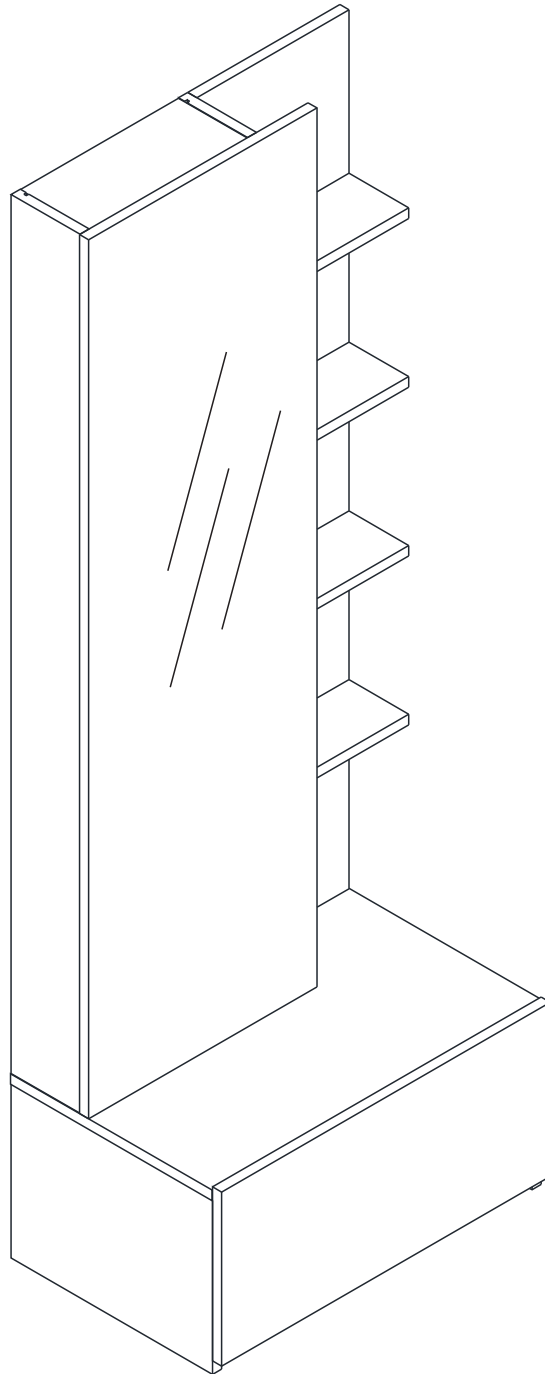


MAZZIMO-P

Dressing table



CONNECT SYSTEM

1

2

(Connecting bolts)

3

WHEN FITTING CAMS
 ENSURE STARTING POSITION IS CORRECT
 BEFORE YOU INSERT CONNECTING BOLT
 TURN CLOCKWISE UNTIL SECURE

✓				✗
	↑ CORRECT			WRONG

M4x16mm.

i

40mm.

EQ

M3.5x13mm.

1

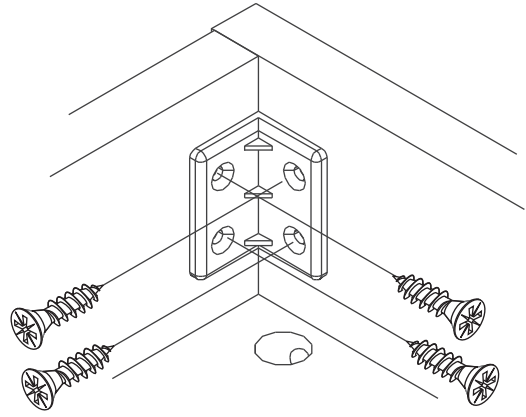
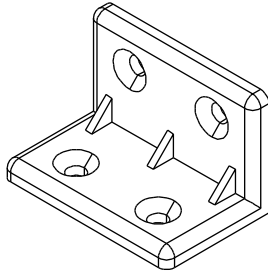
Use these holes

2

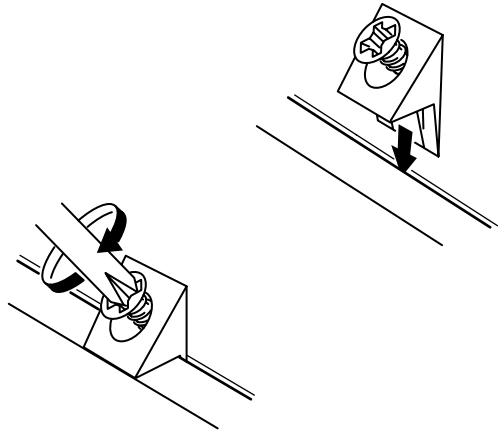
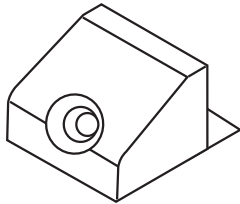
Use these holes

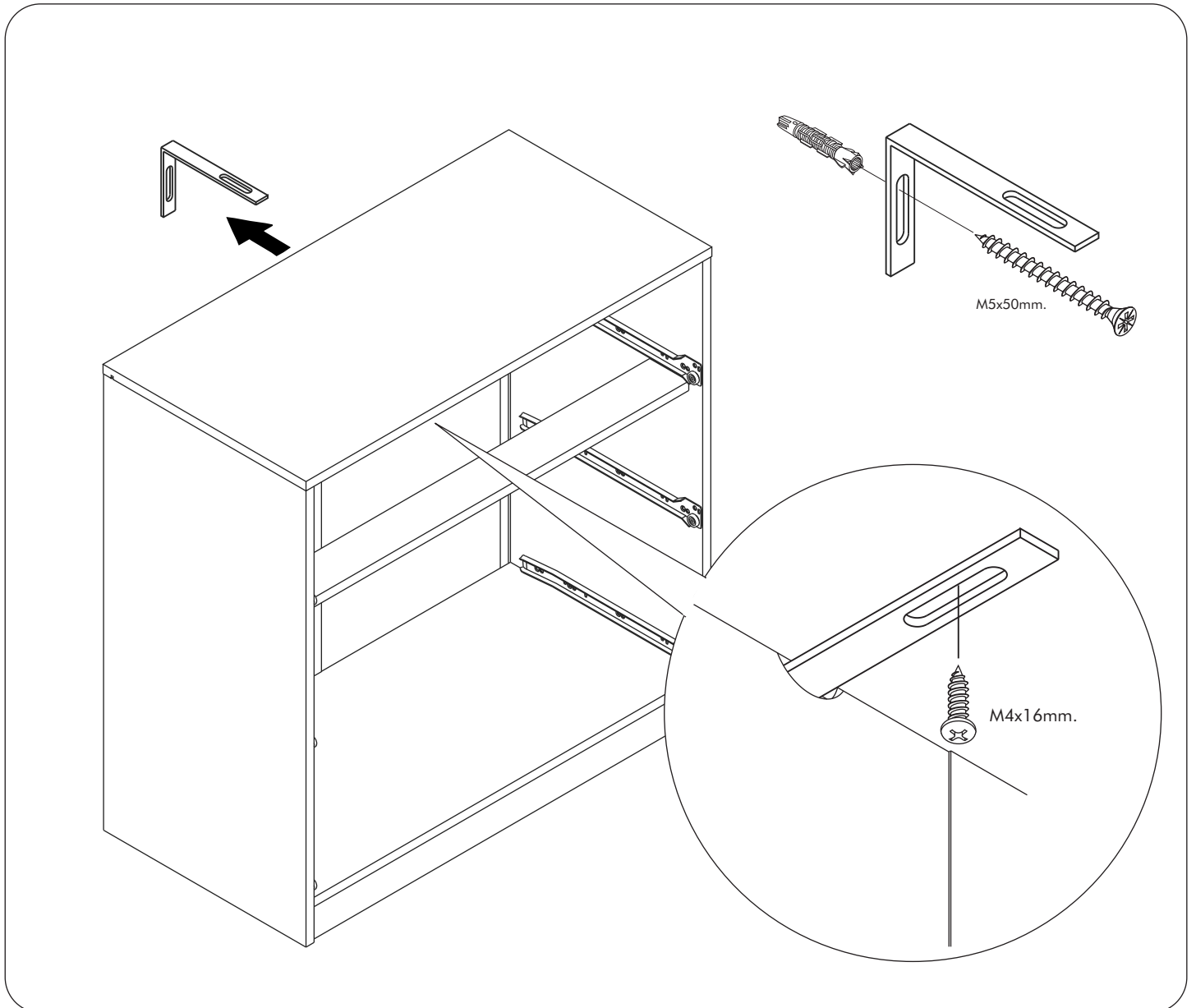
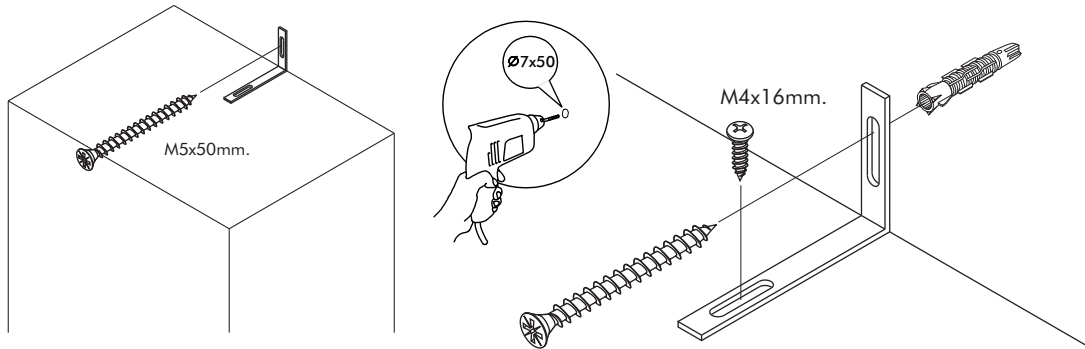
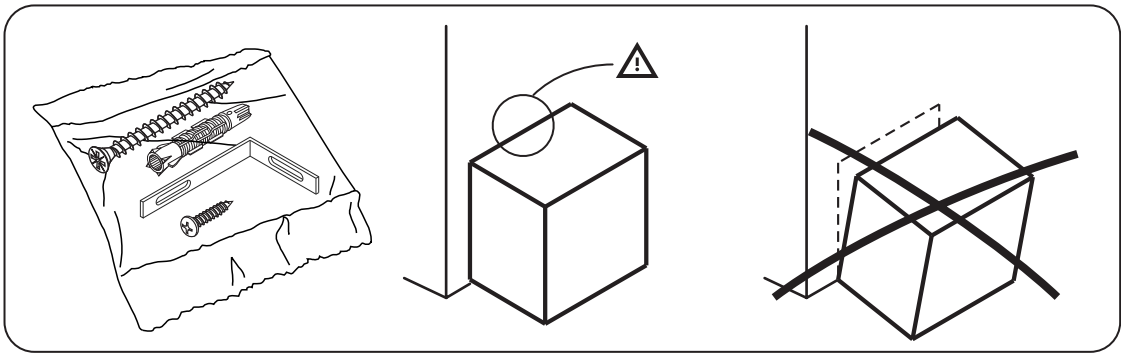


M4x16mm.



M3.5x20mm.



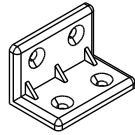


HARDWARE

-BODY SET



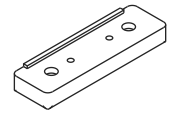
x 32



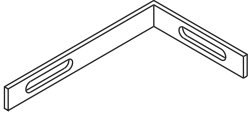
x 25



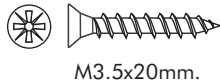
x 8



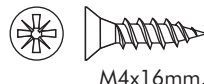
x 8



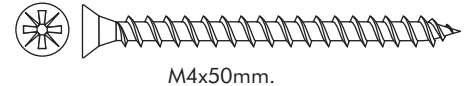
x 1



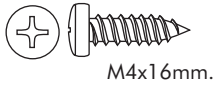
x 8



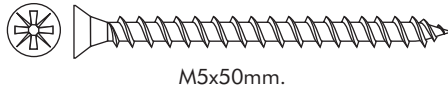
x 116



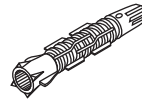
x 23



x 4

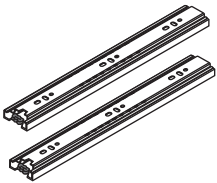


x 1

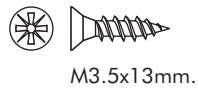


x 1

-DRAWER SET



x 1



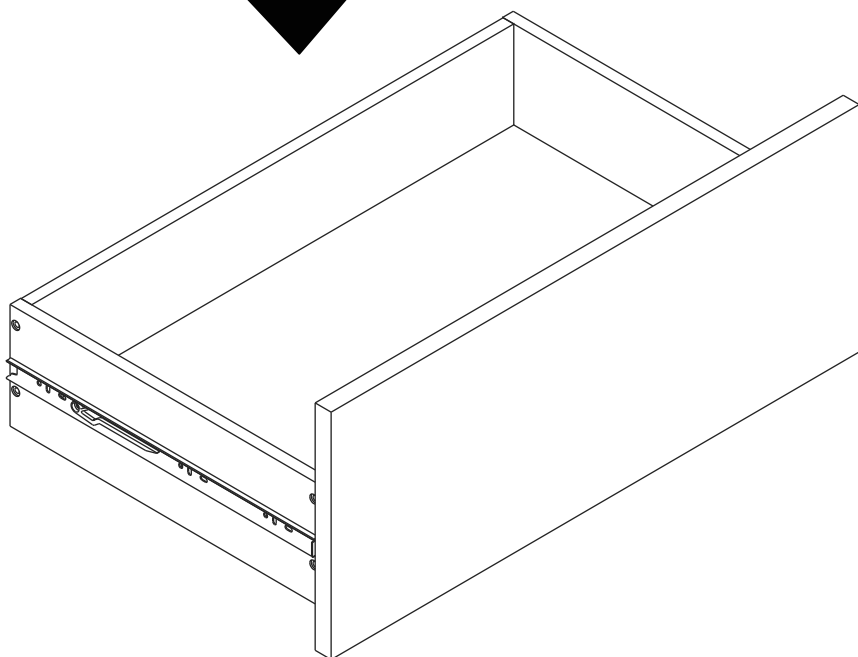
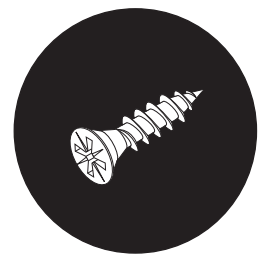
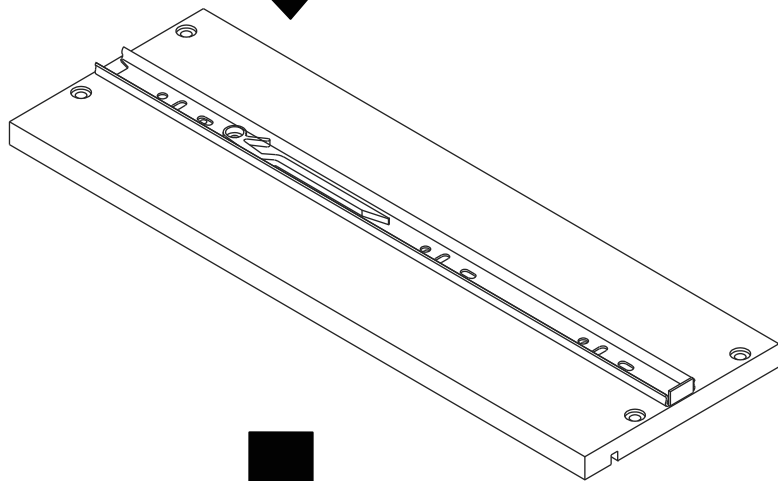
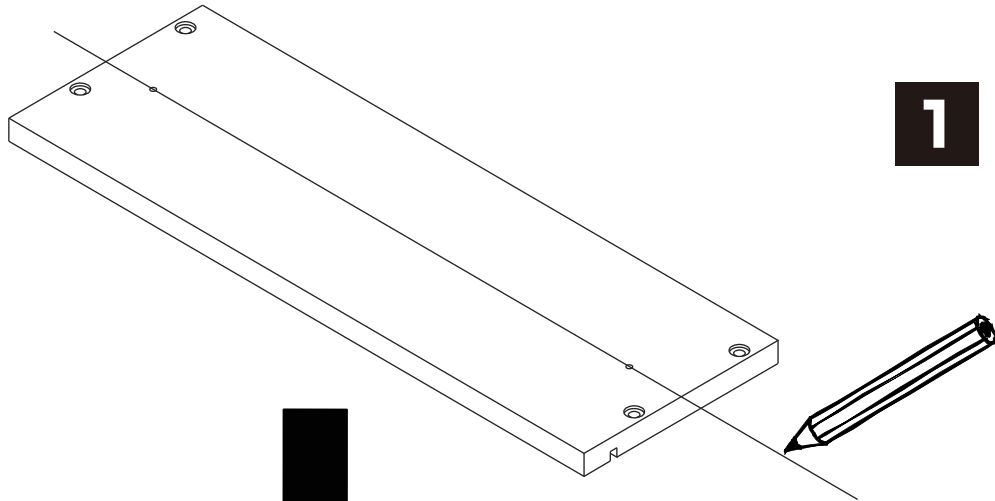
x 12



x 10



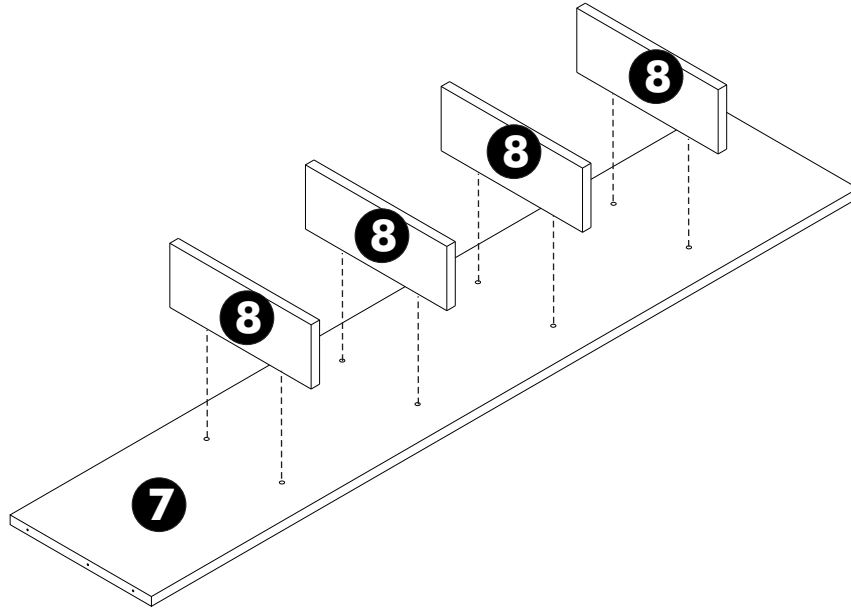
x 4



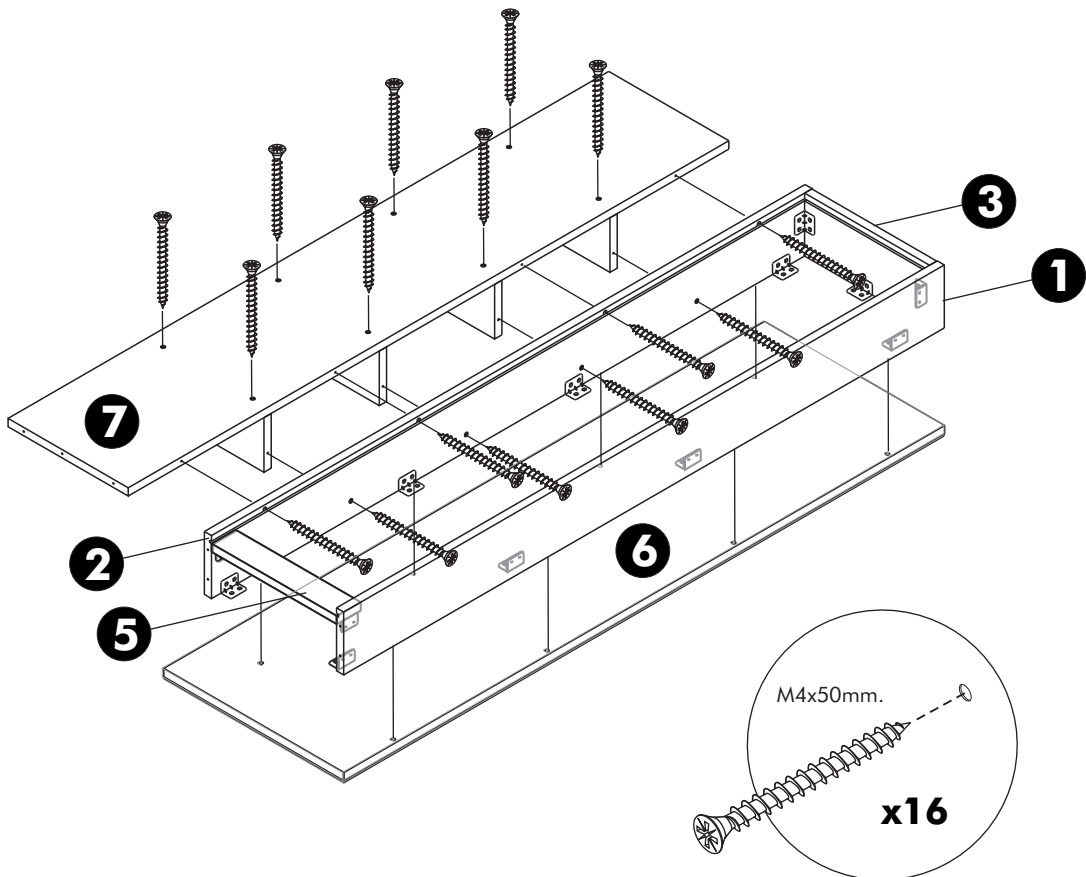
ASSEMBLY

-BODY SET

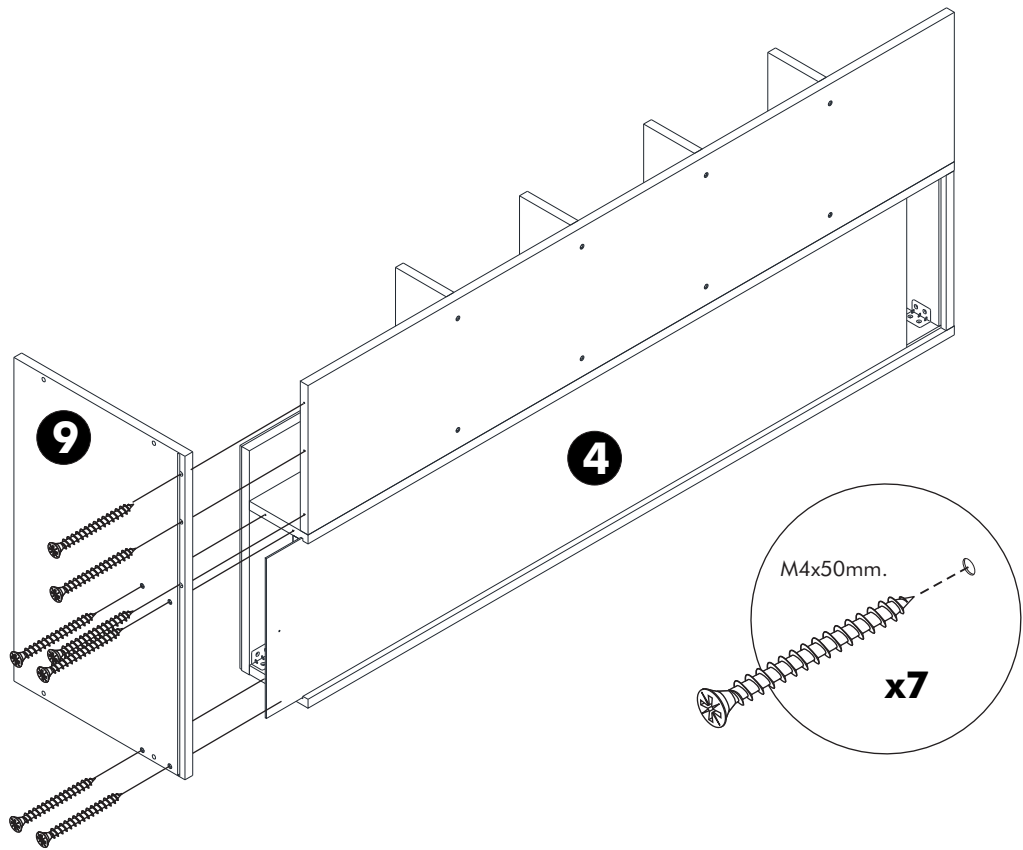
1.



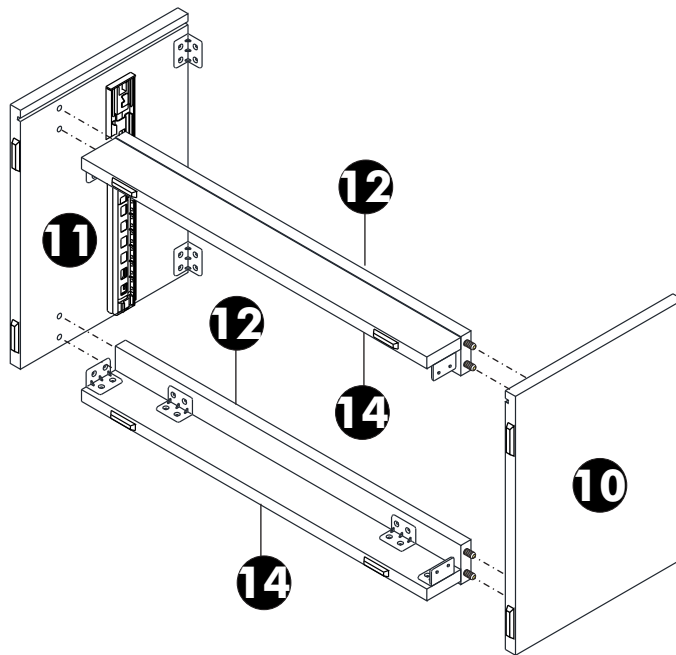
2.



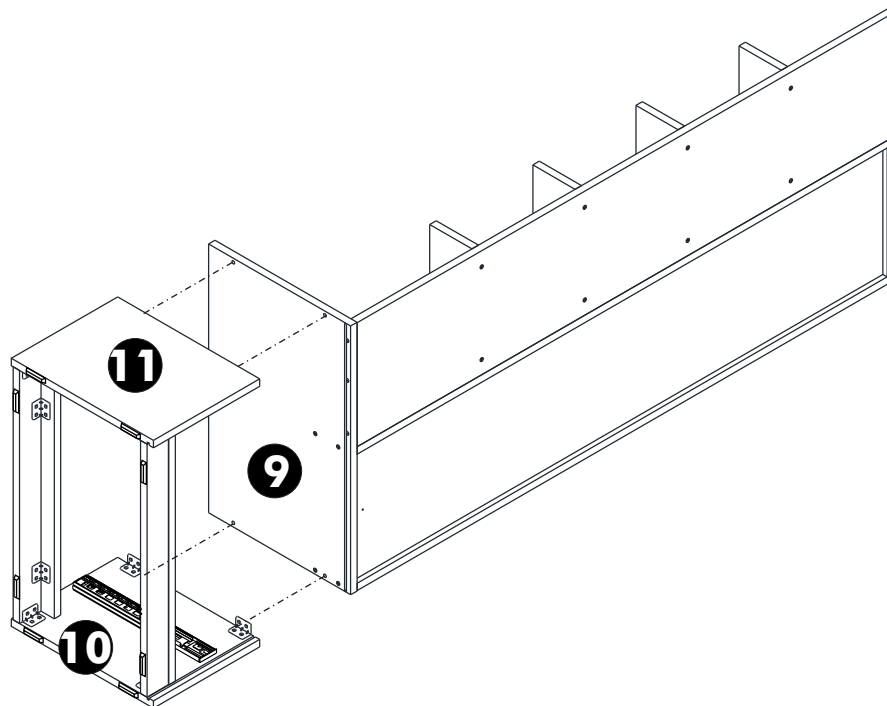
3.



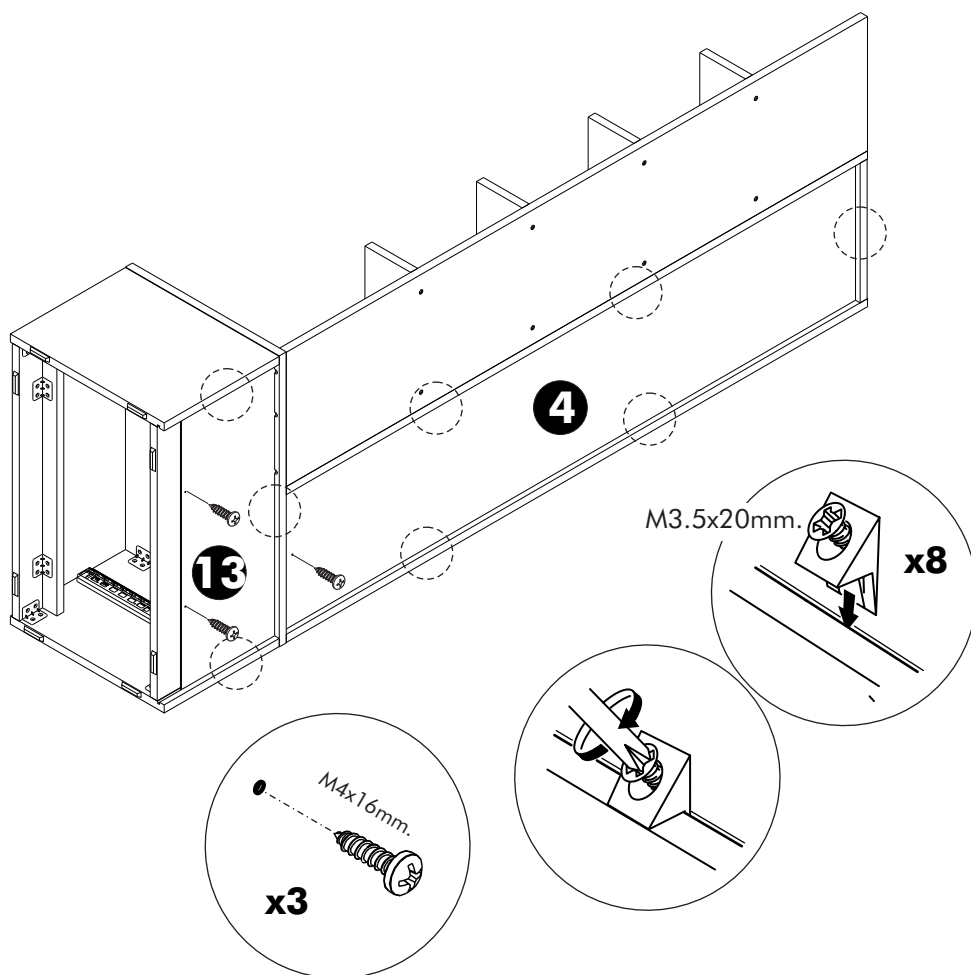
4.



5.



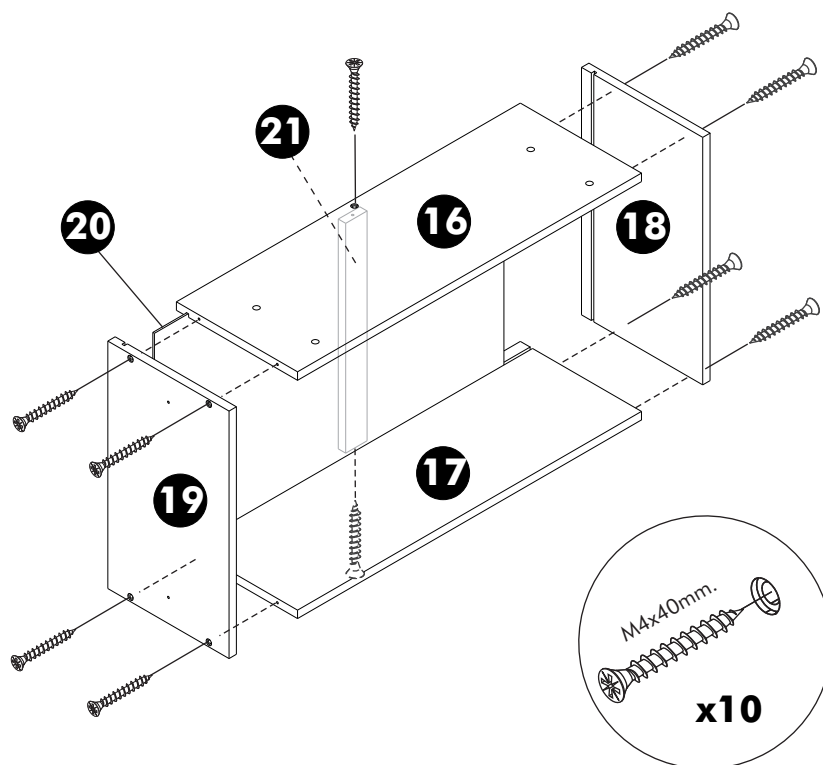
6.



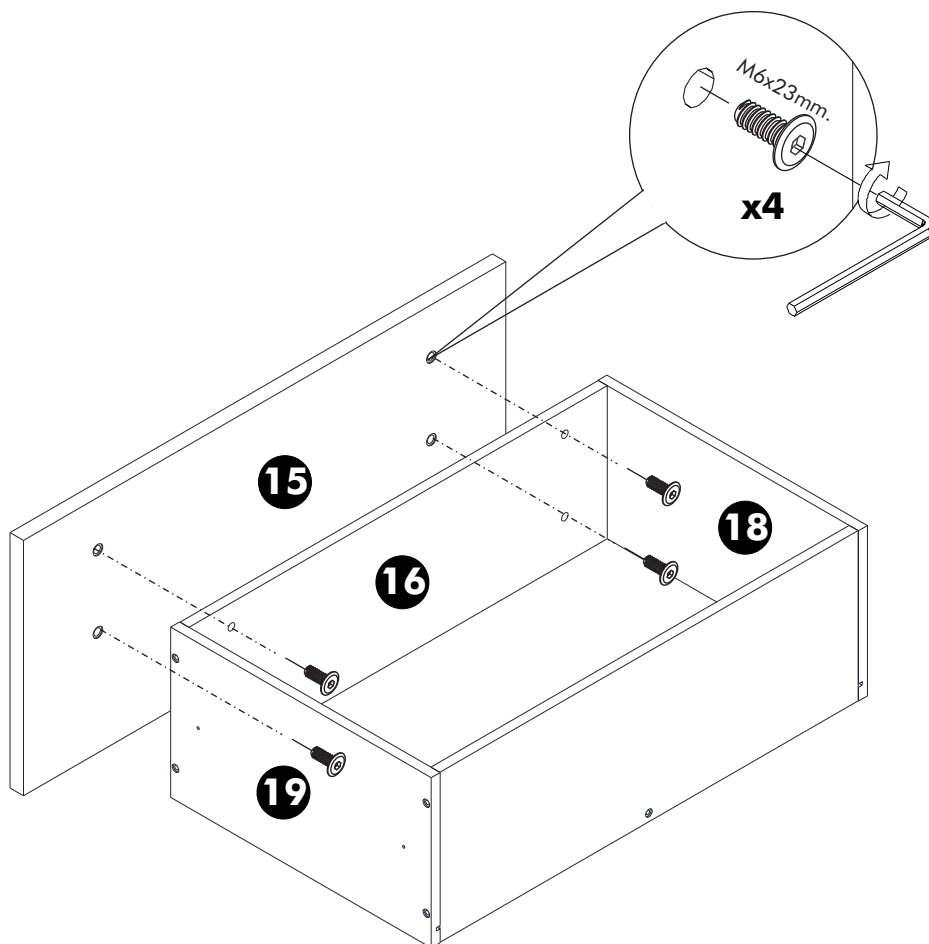
7.

ASSEMBLY

-DRAWER SET



8.



9.

