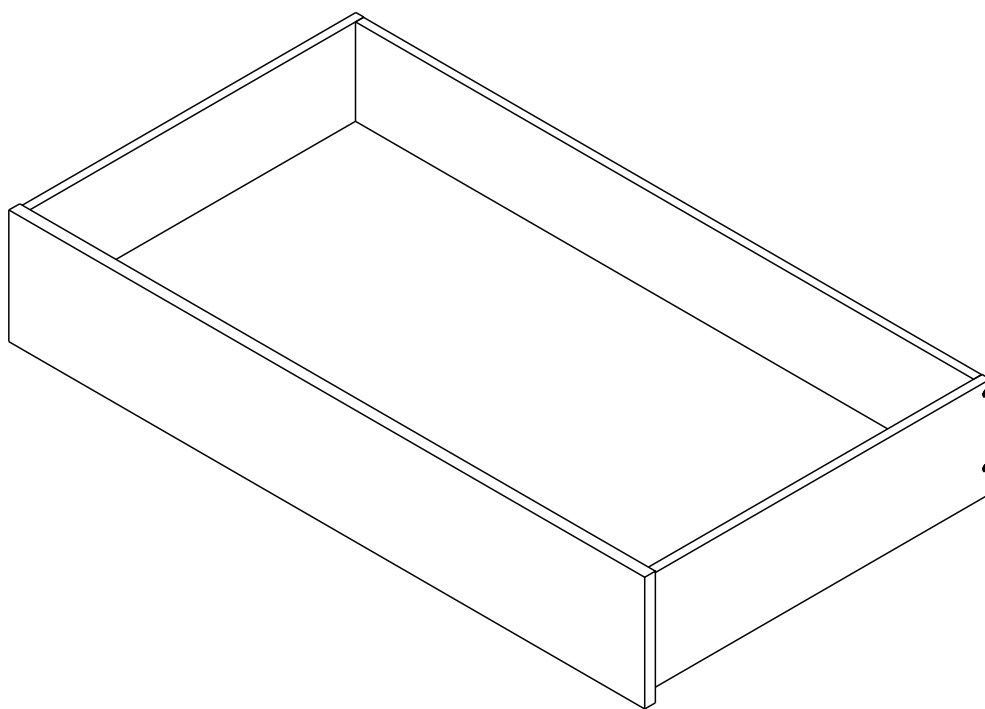


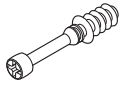
ITAL-STANDARD-P

Drawer 100



HARDWARE

-BODY SET

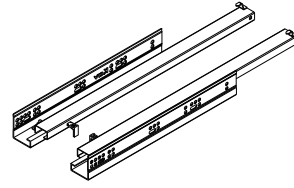


X 2

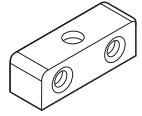


12mm.

X 2



X 1 Set



X 2



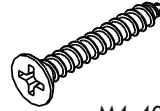
#6x35

X 4



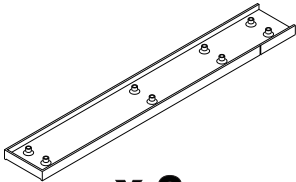
#M4x25

X 12



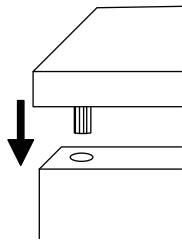
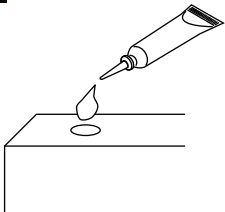
M4x40mm.

X 6

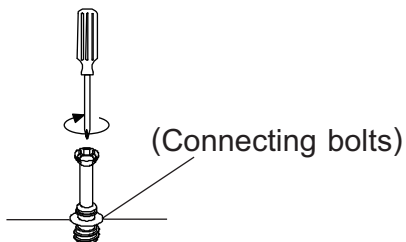


X 2

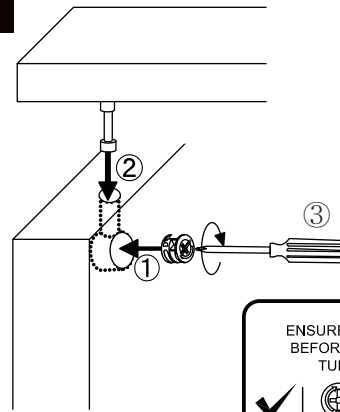
1 (Glue)



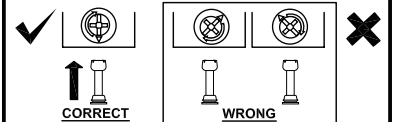
2



3



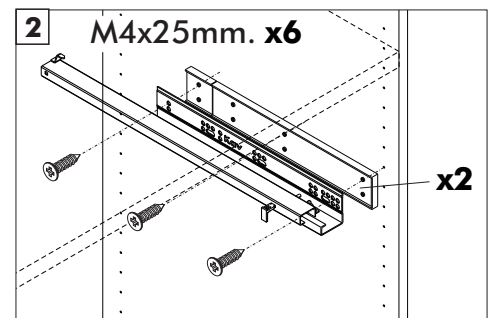
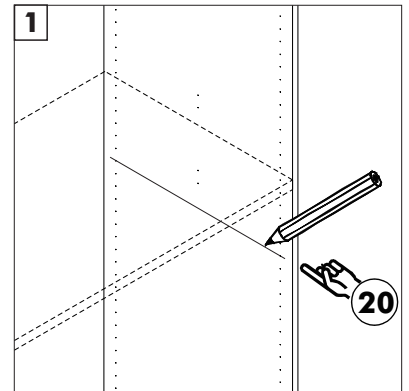
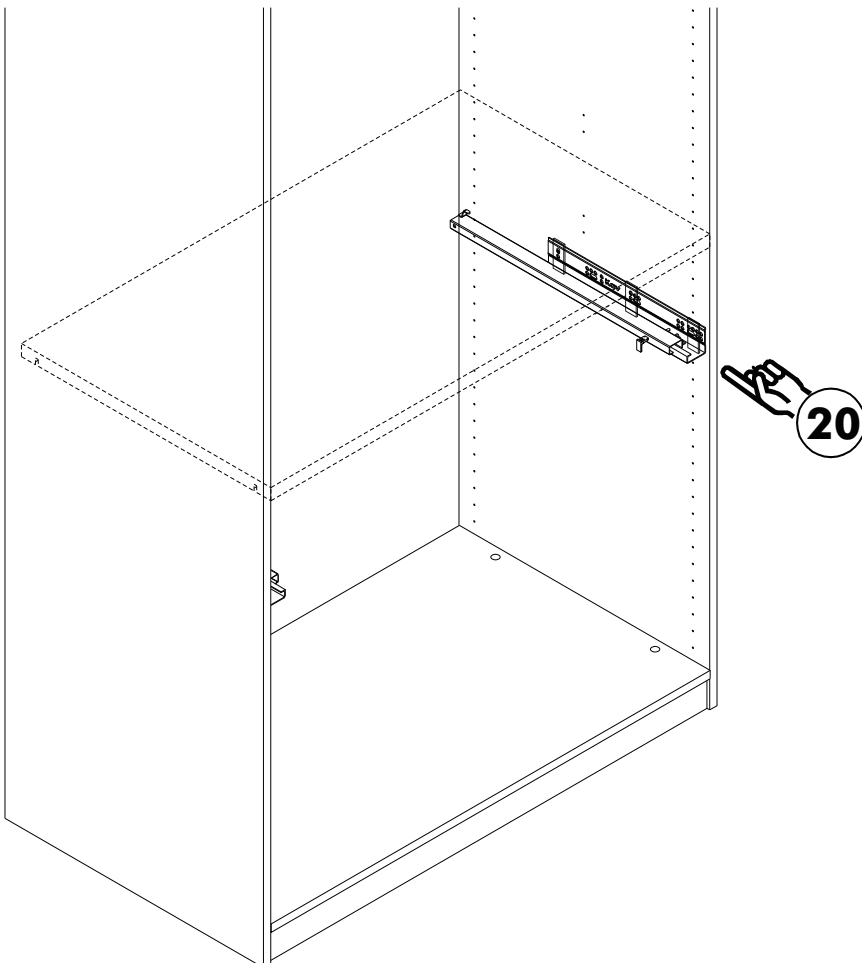
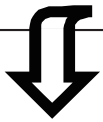
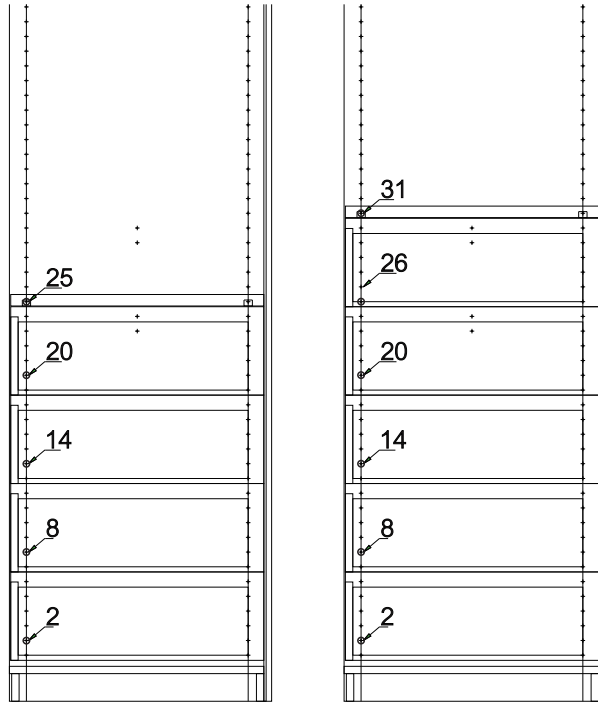
WHEN FITTING CAMS
ENSURE STARTING POSITION IS CORRECT
BEFORE YOU INSERT CONNECTING BOLT
TURN CLOCKWISE UNTIL SECURE

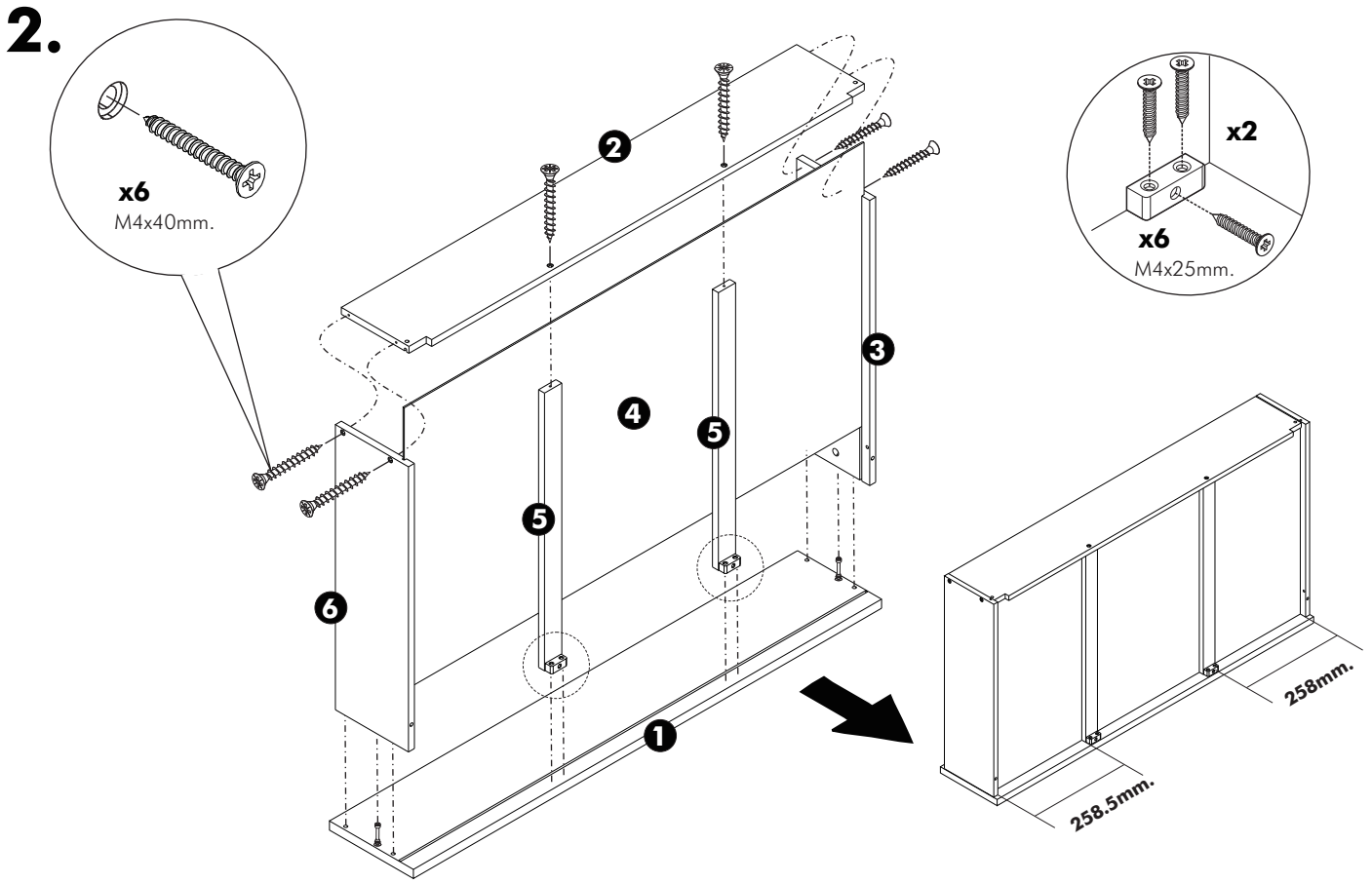


1.



Installation distance of drawers





3.

