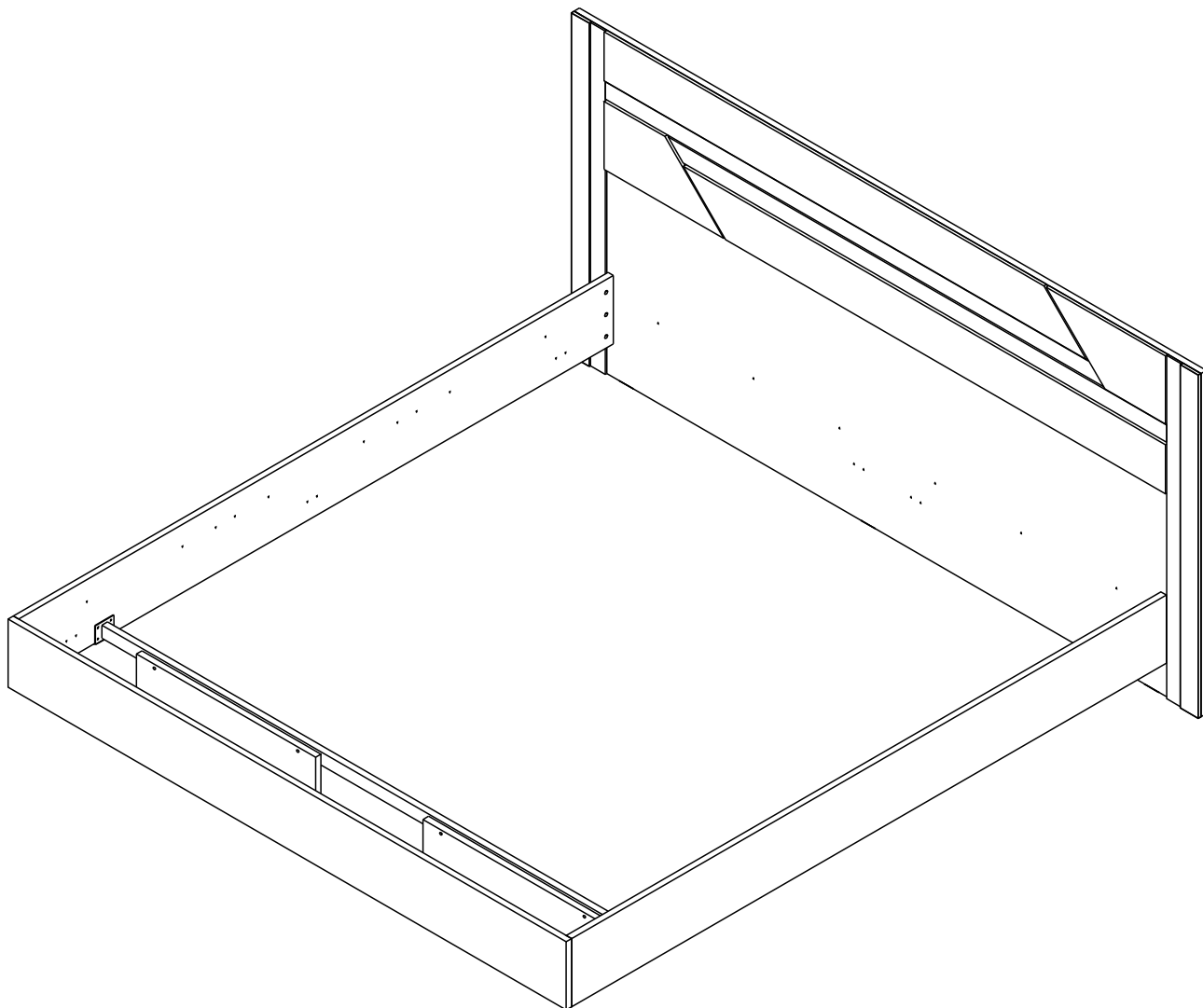


\$BRONX PLUS

BED 6 ft.



CONNECT SYSTEM

1

2

(Connecting bolts)

3

WHEN FITTING CAMS
 ENSURE STARTING POSITION IS CORRECT
 BEFORE YOU INSERT CONNECTING BOLT
 TURN CLOCKWISE UNTIL SECURE

✓				✗
↑				
CORRECT		WRONG		

M4x16mm.

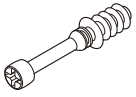
i

40mm.

EQ

HARDWARE

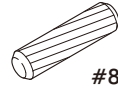
-BODY SET



x 4

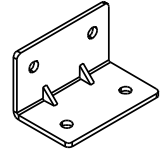


x 4



#8x35

x 4



x 4



No.1

x 3



#M8

x 4



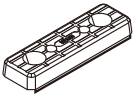
#M8

x 4



M4x16mm.

x 27

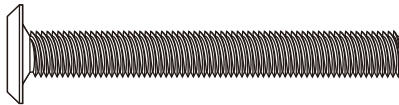
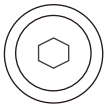


x 7



M4x16mm.

x 14



#TFL4 M8x50

x 4



JCB+ M6x60

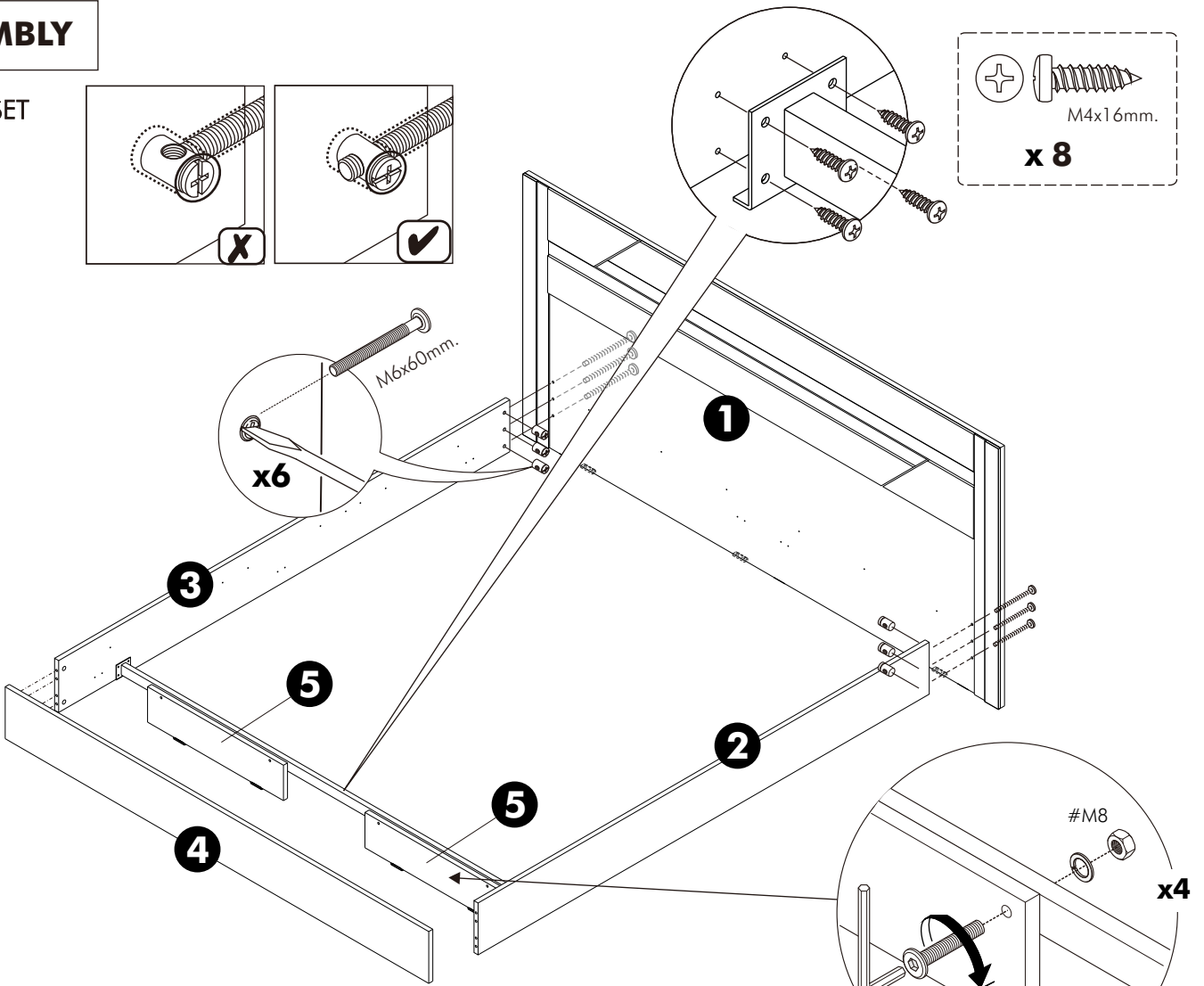
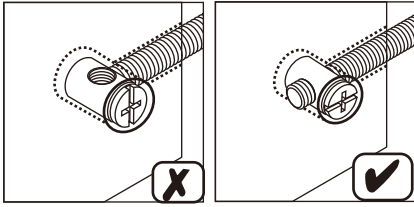
x 6



ASSEMBLY

-BODY SET

1.



2.

