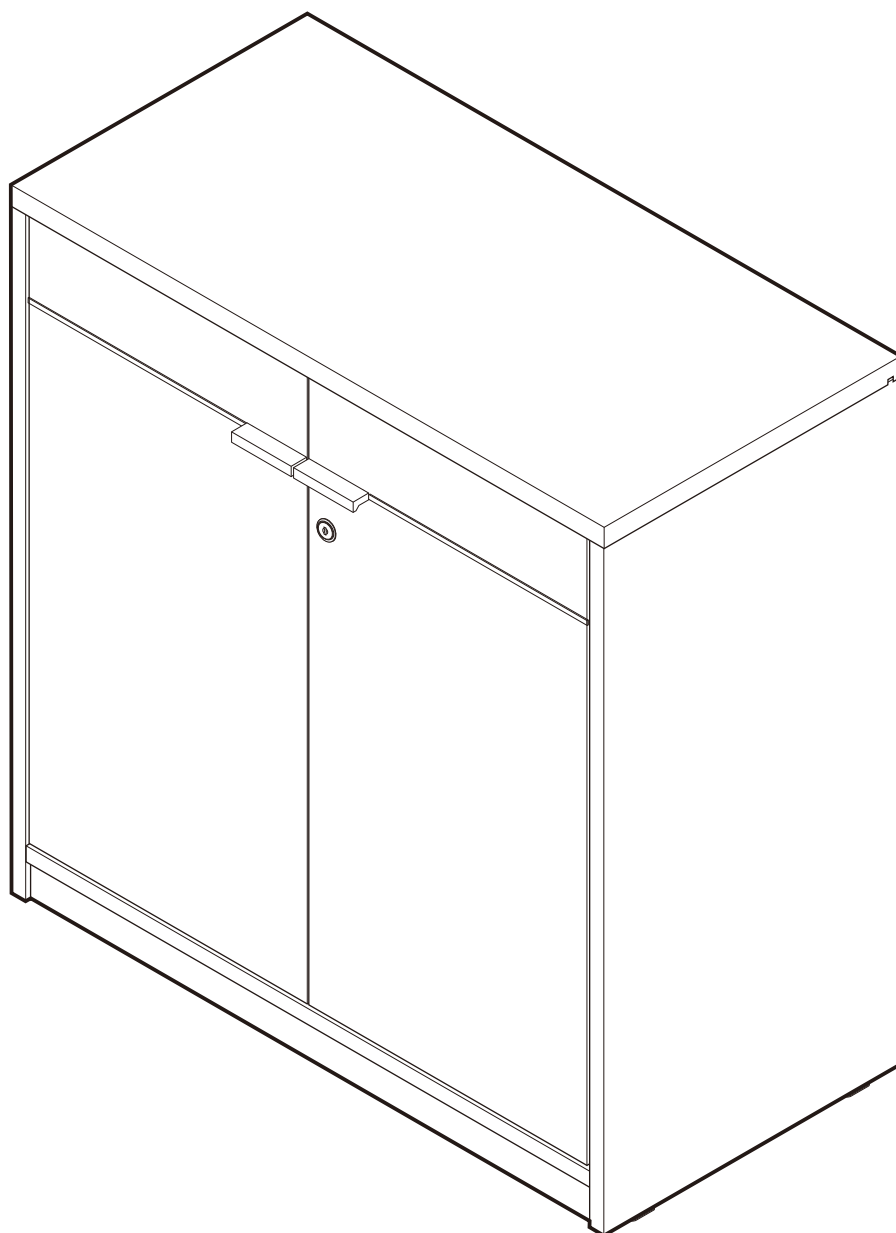
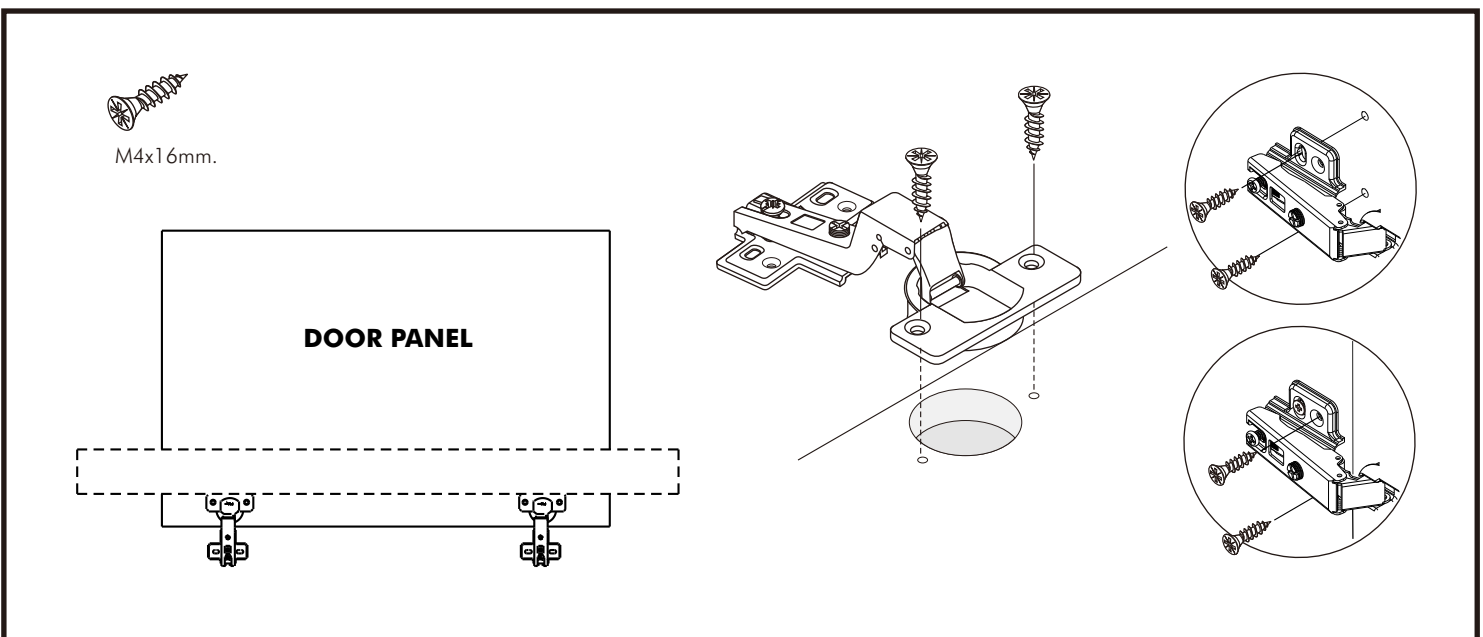
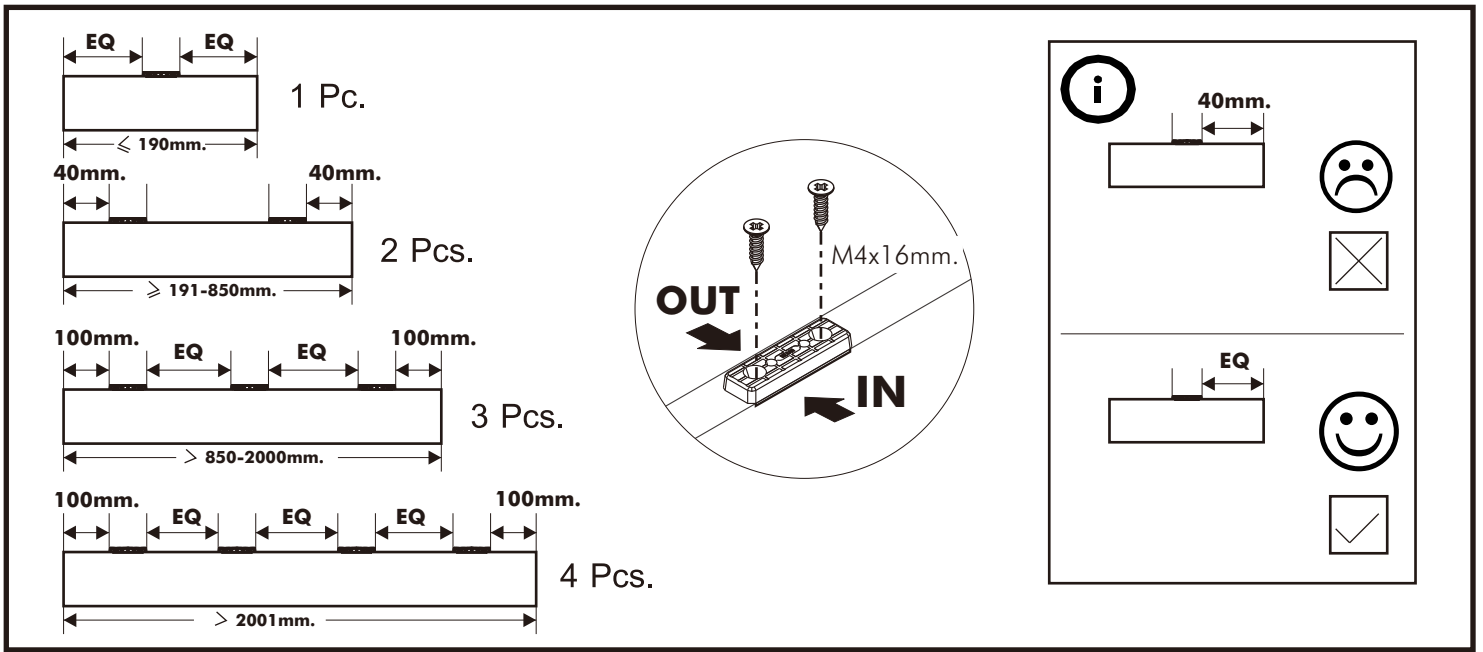
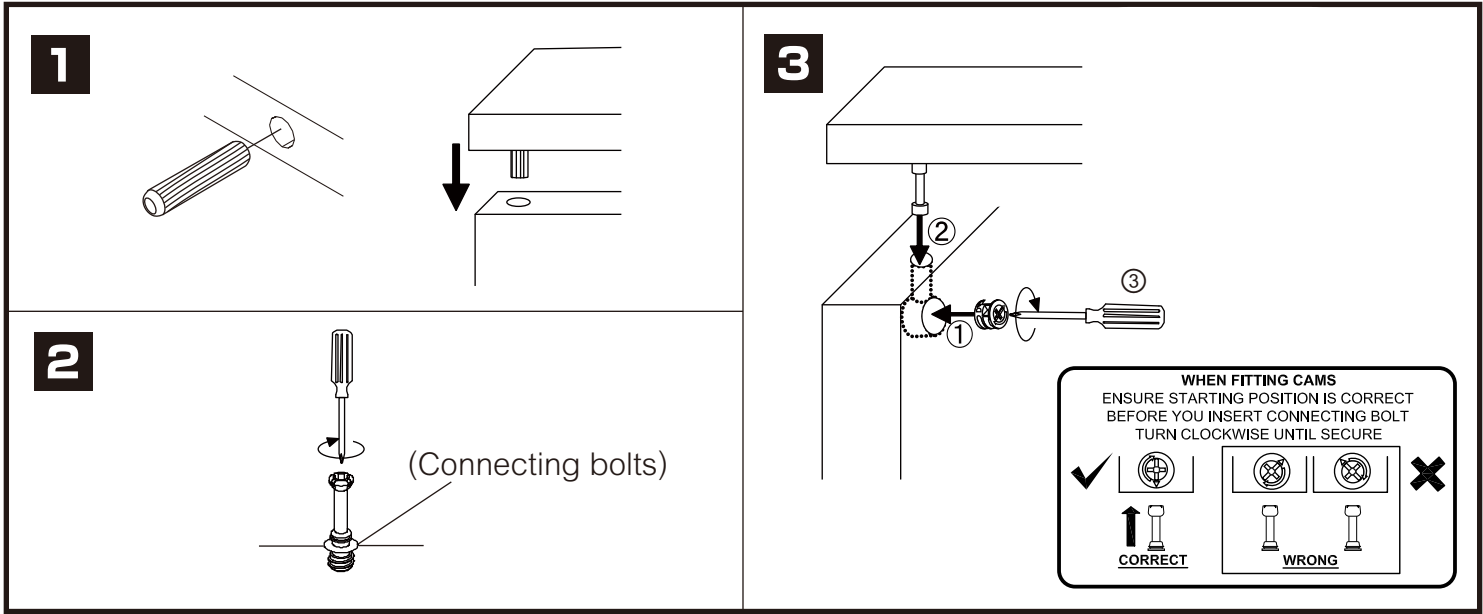


# VECTRA-P

**Low cabinet 2 doors 80 cm.**

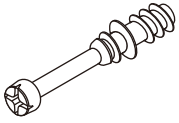


# CONNECT SYSTEM



# HARDWARE

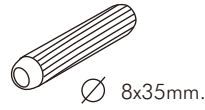
## - BODY SET



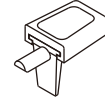
**X 8**



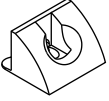
**X 8**



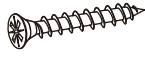
**X 8**



**X 4**

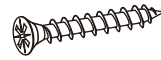


**X 8**



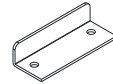
#M 3.5x20mm. (F)

**X 8**



#M 4x25mm. (F)

**X 6**



**X 1**

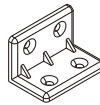


**X 2**

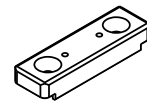


#M 4x16mm. (F)

**X 32**

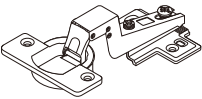


**X 6**



**X 4**

## - DOORS SET

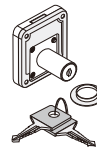


**X 4**

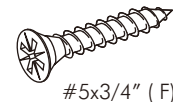


#M 4x16mm. (F)

**X 24**

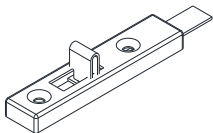


**X 1**



#5x3/4" (F)

**X 4**

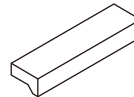


**X 1**



M3.5x13

**X 1**



**X 2**

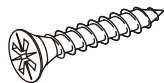


M4x22mm.

**X 4**



**X 1**



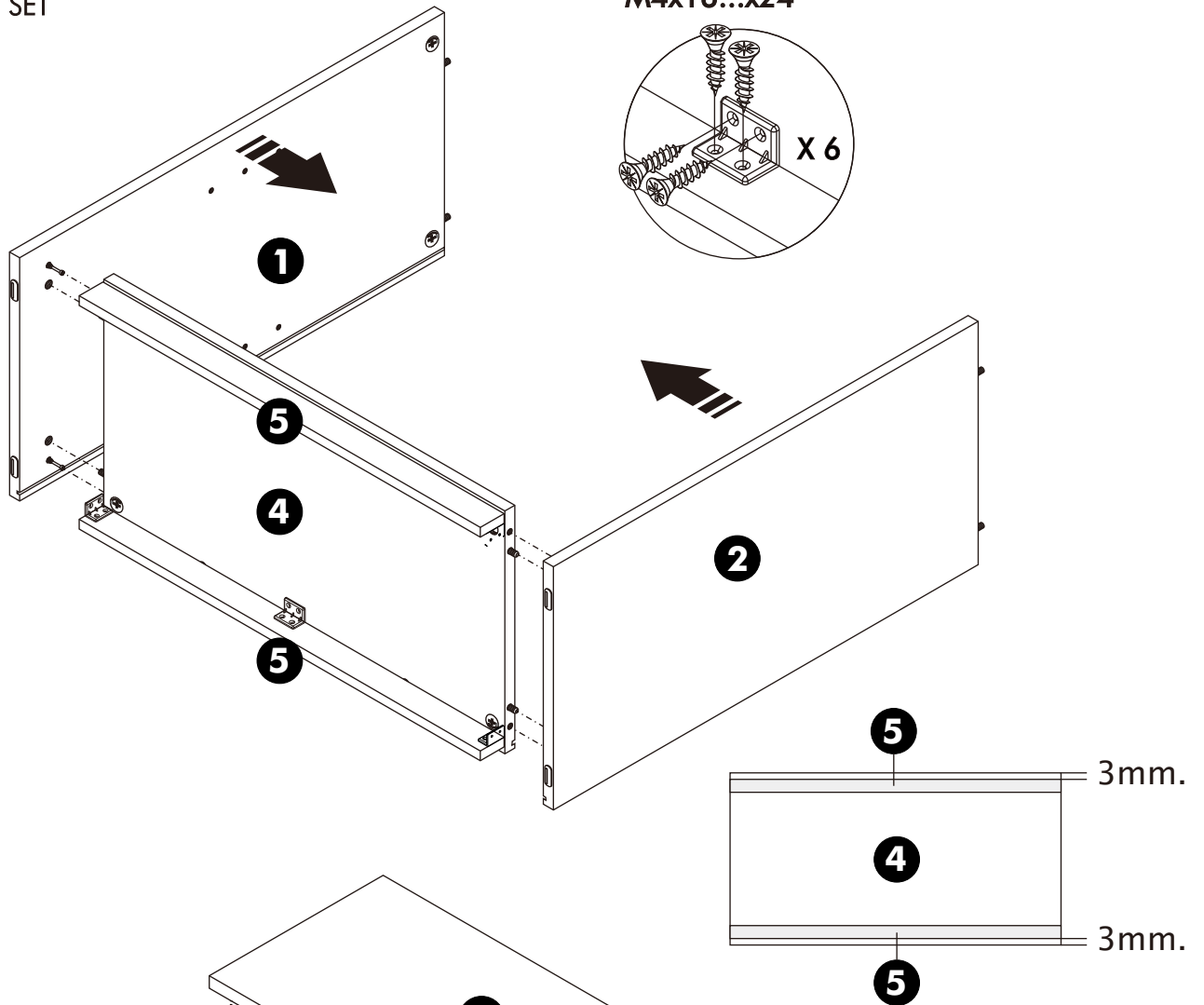
#6x3/4" (F)

**X 2**

# ASSEMBLY

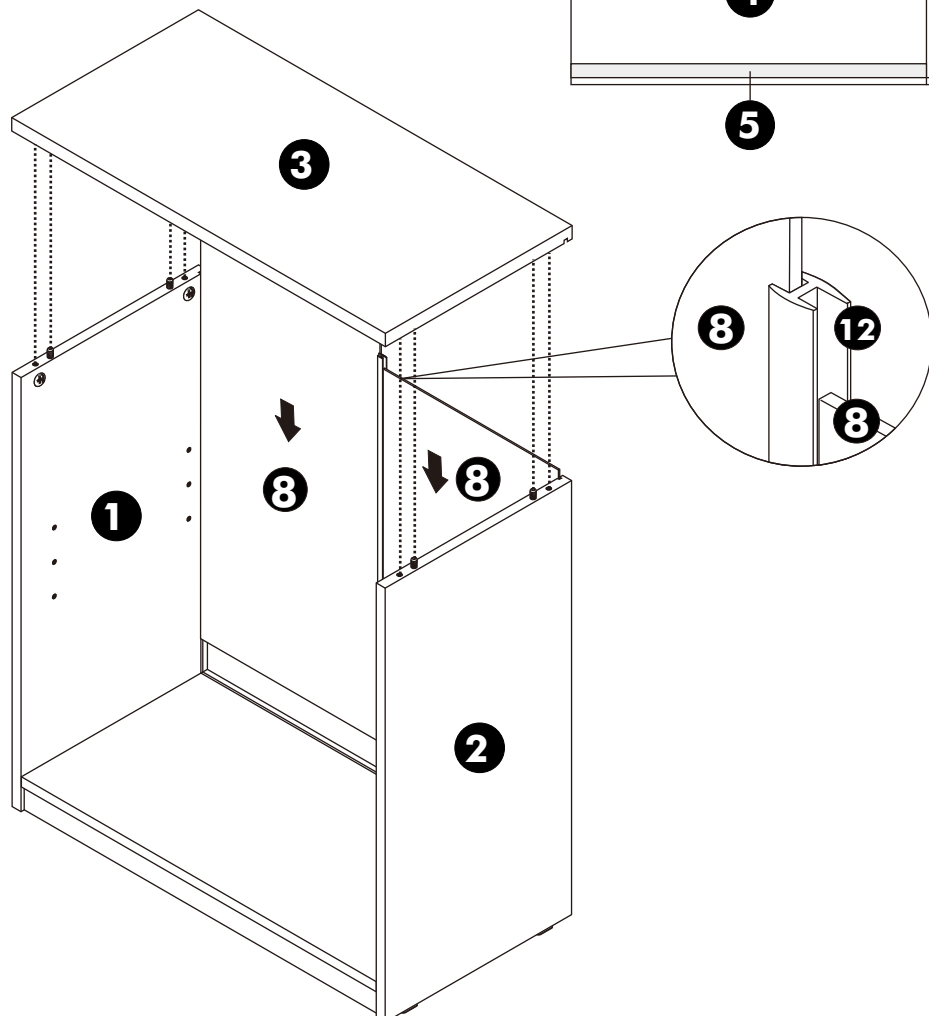
-BODY SET

## 1.

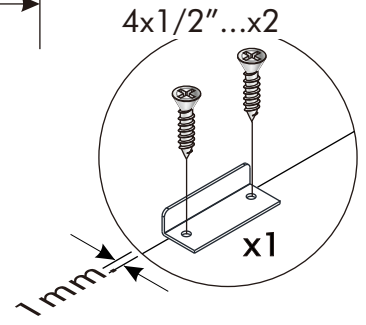
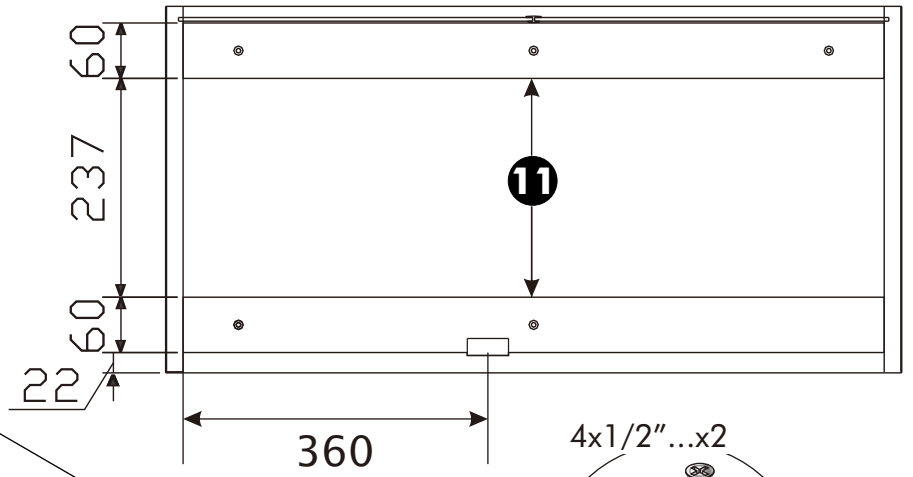
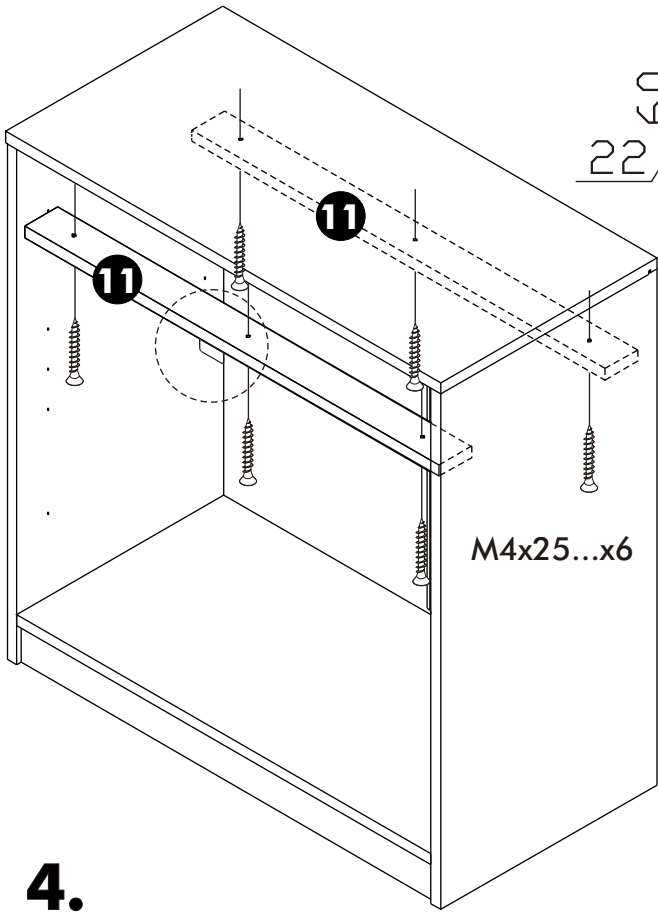


## 2.

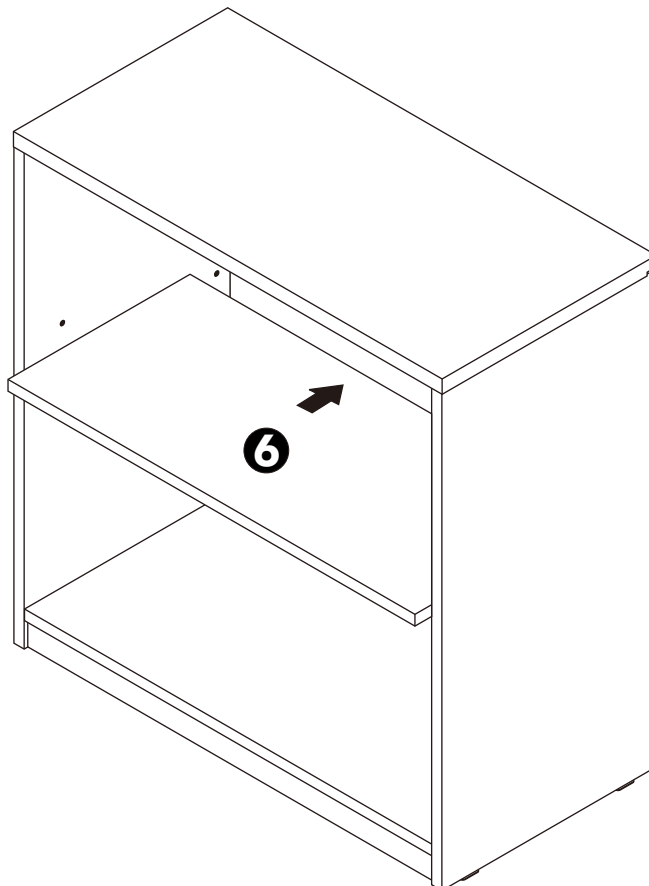
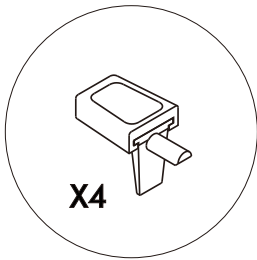
-BODY SET



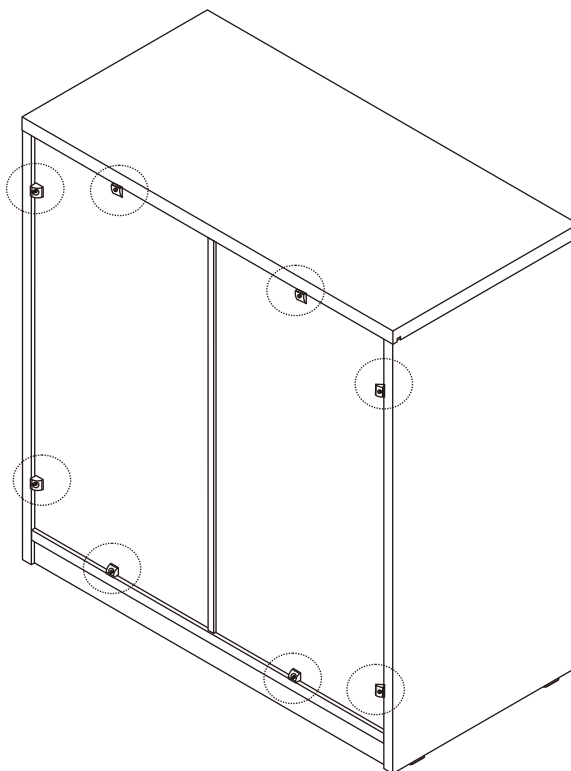
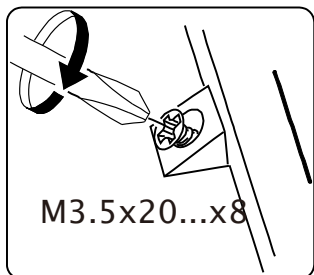
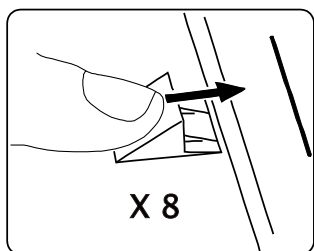
**3.**



**4.**



# 5.



## ASSEMBLY

-DOORS SET

# 1.

