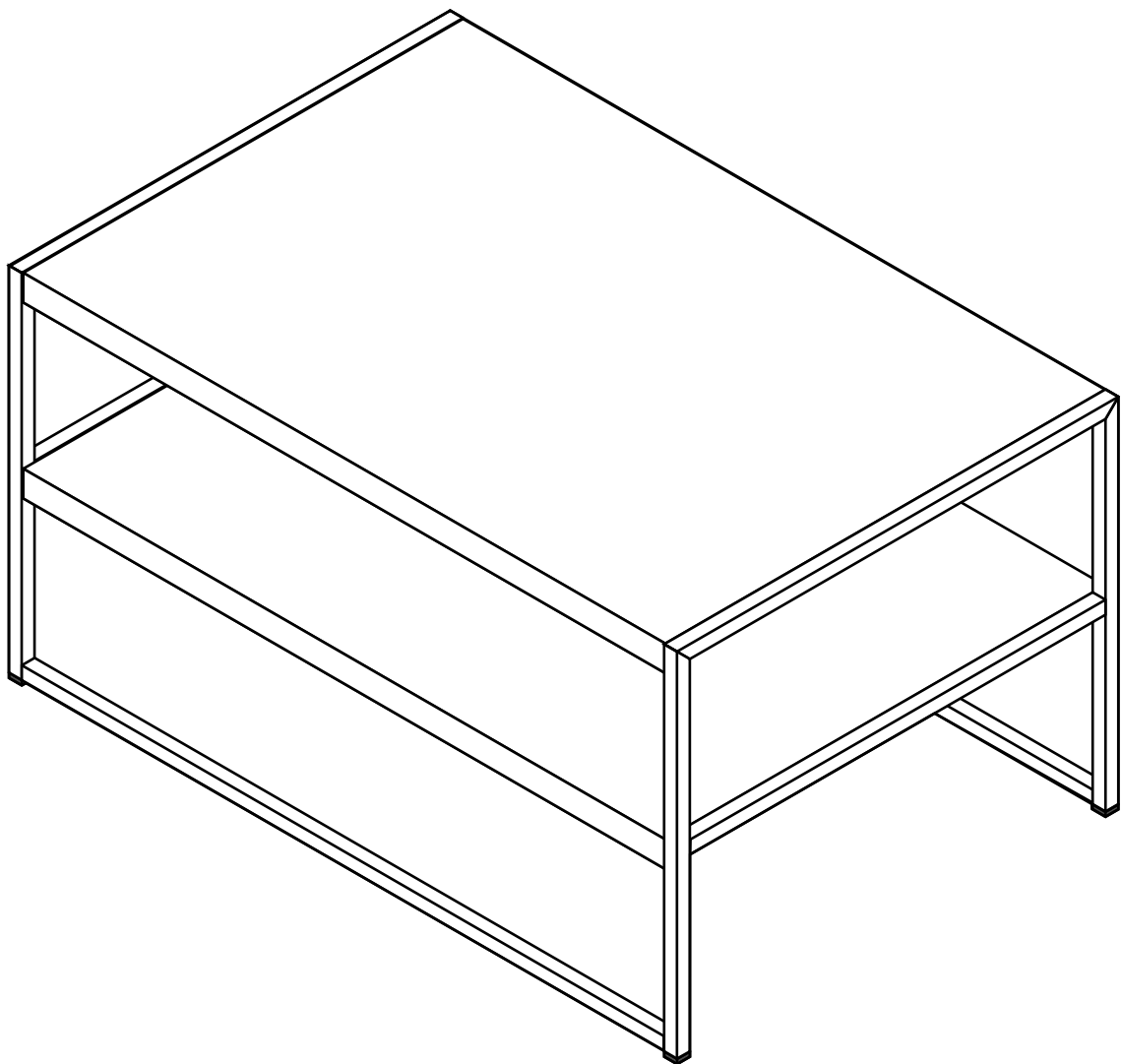


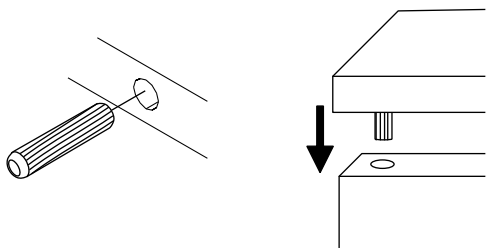
# BEN

Coffee table 80cm.

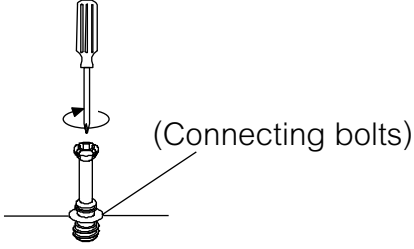


# CONNECT SYSTEM

**1**

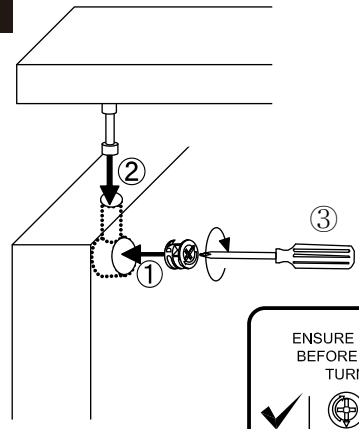


**2**





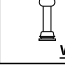



(Connecting bolts)

**3**



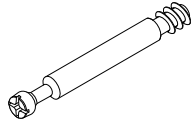
**WHEN FITTING CAMS**  
ENSURE STARTING POSITION IS CORRECT  
BEFORE YOU INSERT CONNECTING BOLT  
TURN CLOCKWISE UNTIL SECURE

✓				✗
				
	<b>CORRECT</b>	<b>WRONG</b>		

**HARDWARE**



**x 12**

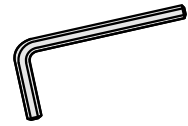


**x 12**



(TFL4 + M6x10)

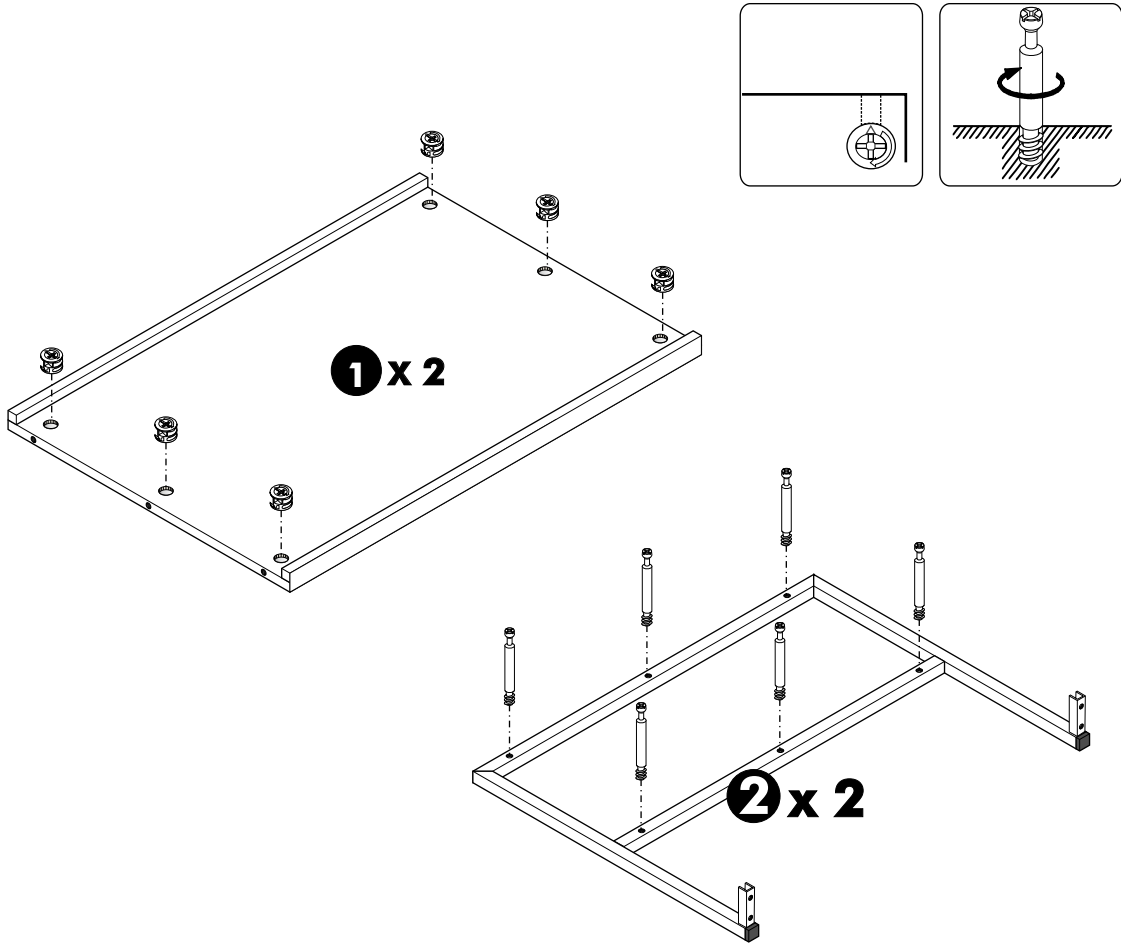
**x 8**



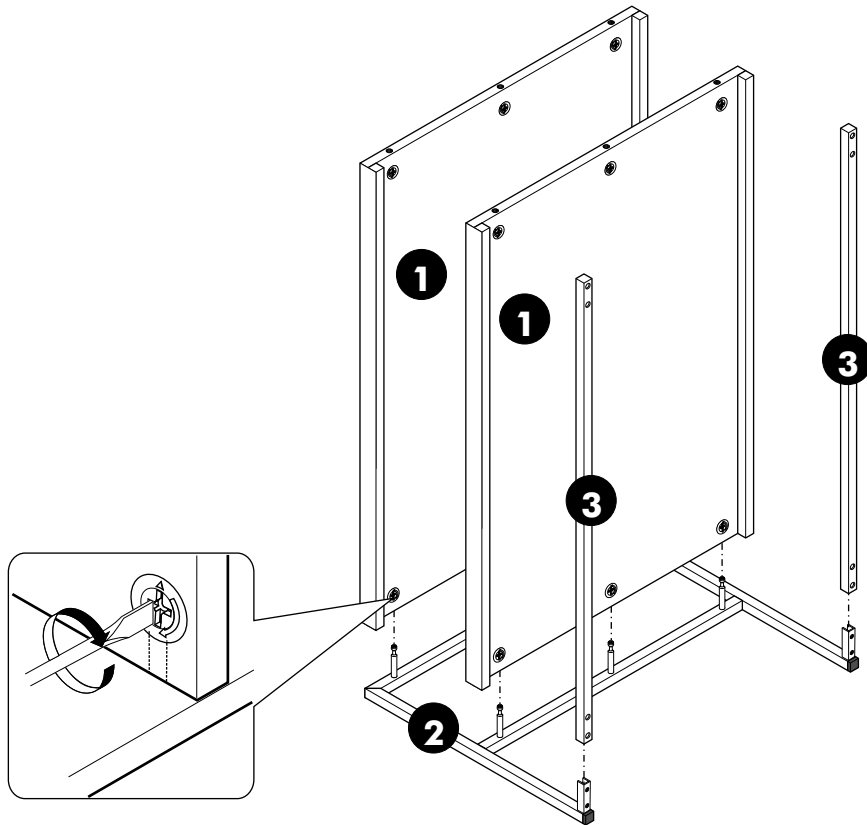
#M4

**x 1**

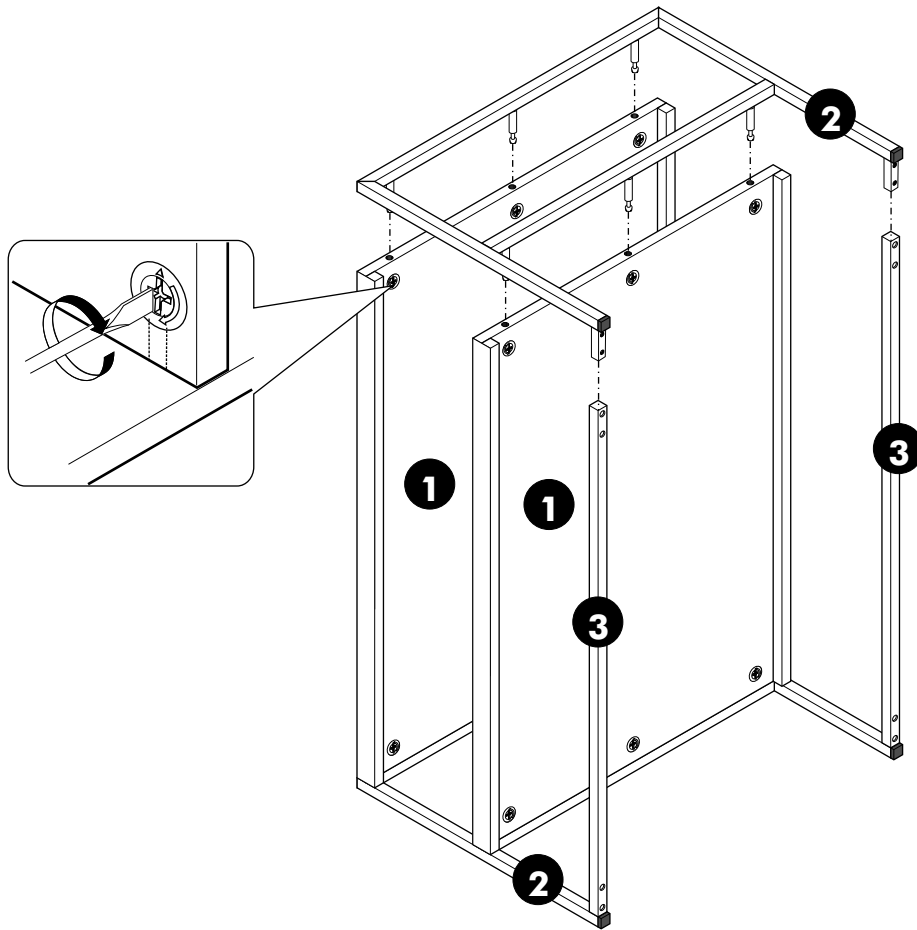
1.



2.



**3.**



**4.**

