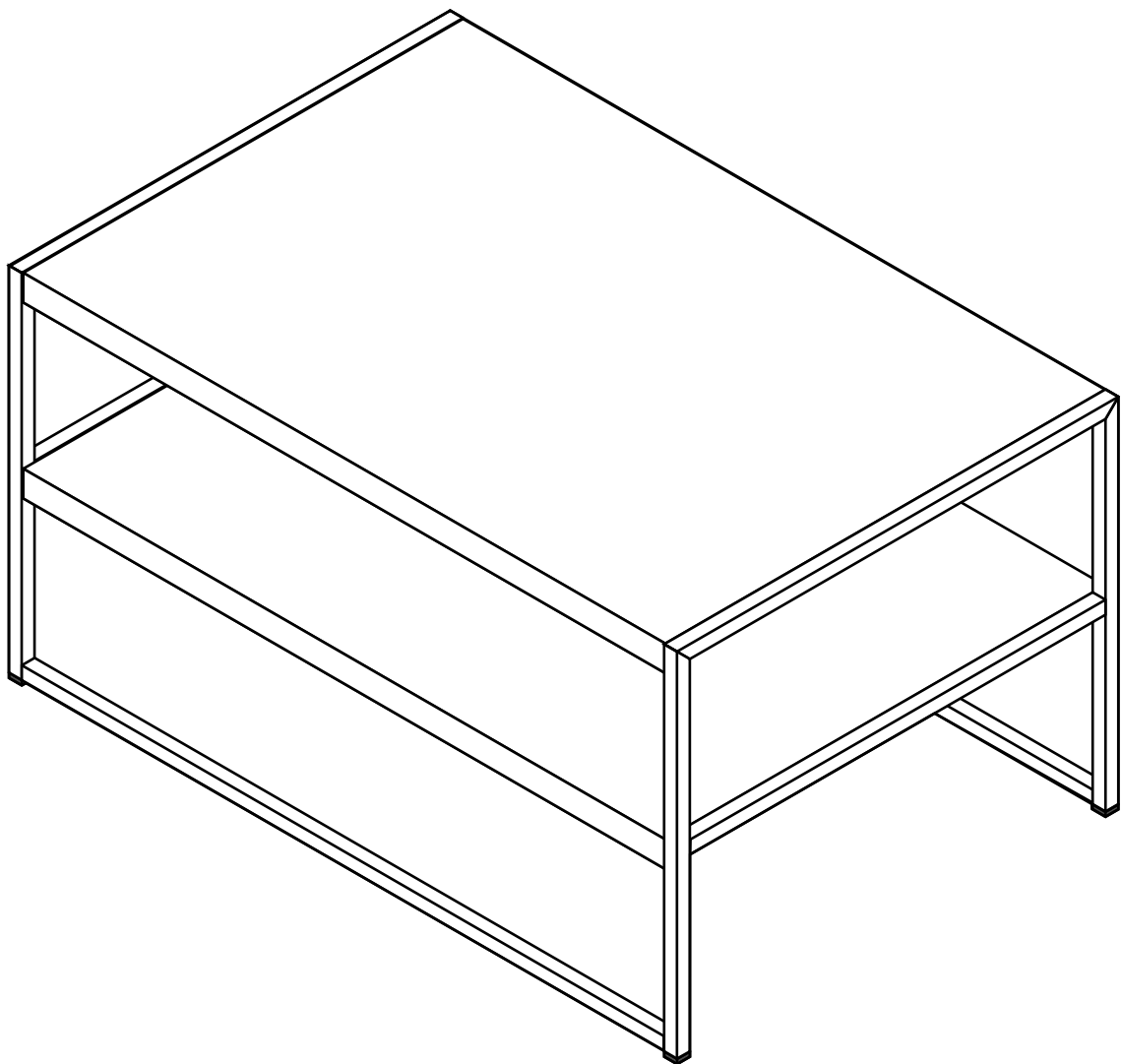
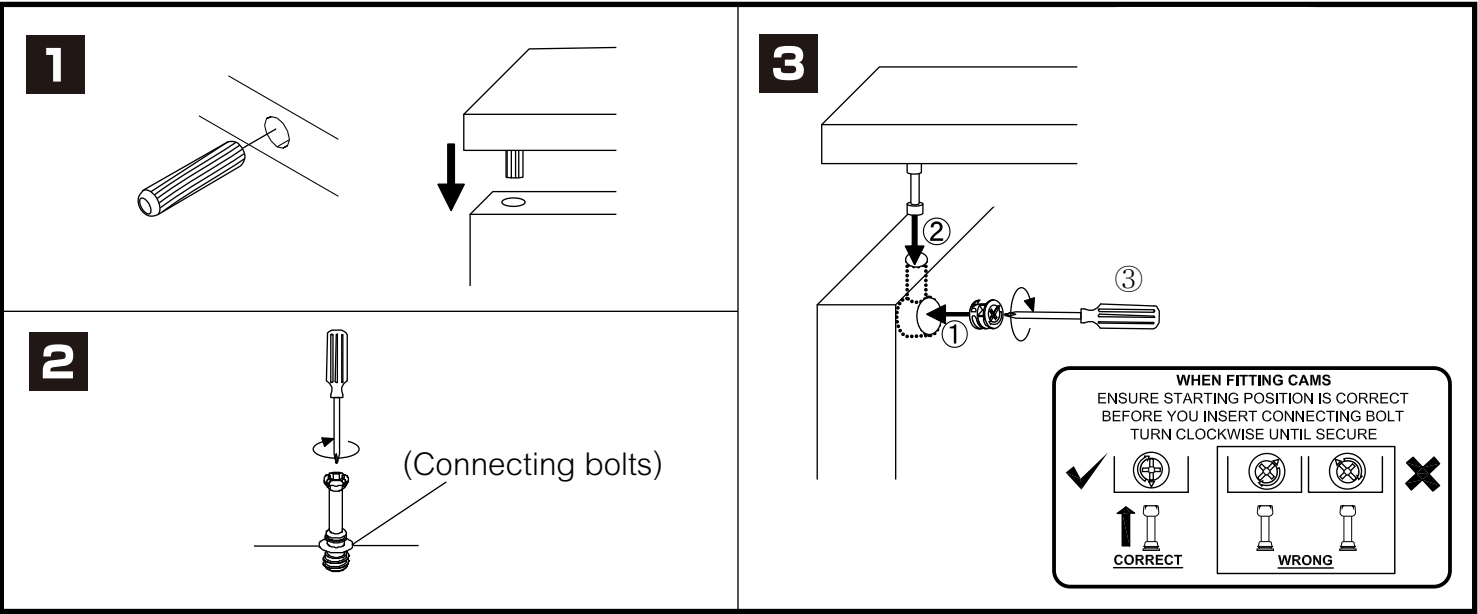


# BEN

**Coffee table 80cm.**



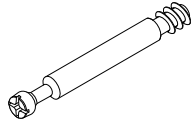
# CONNECT SYSTEM



**HARDWARE**



**x 12**

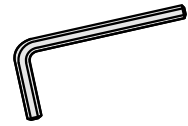


**x 12**



(TFL4 + M6x10)

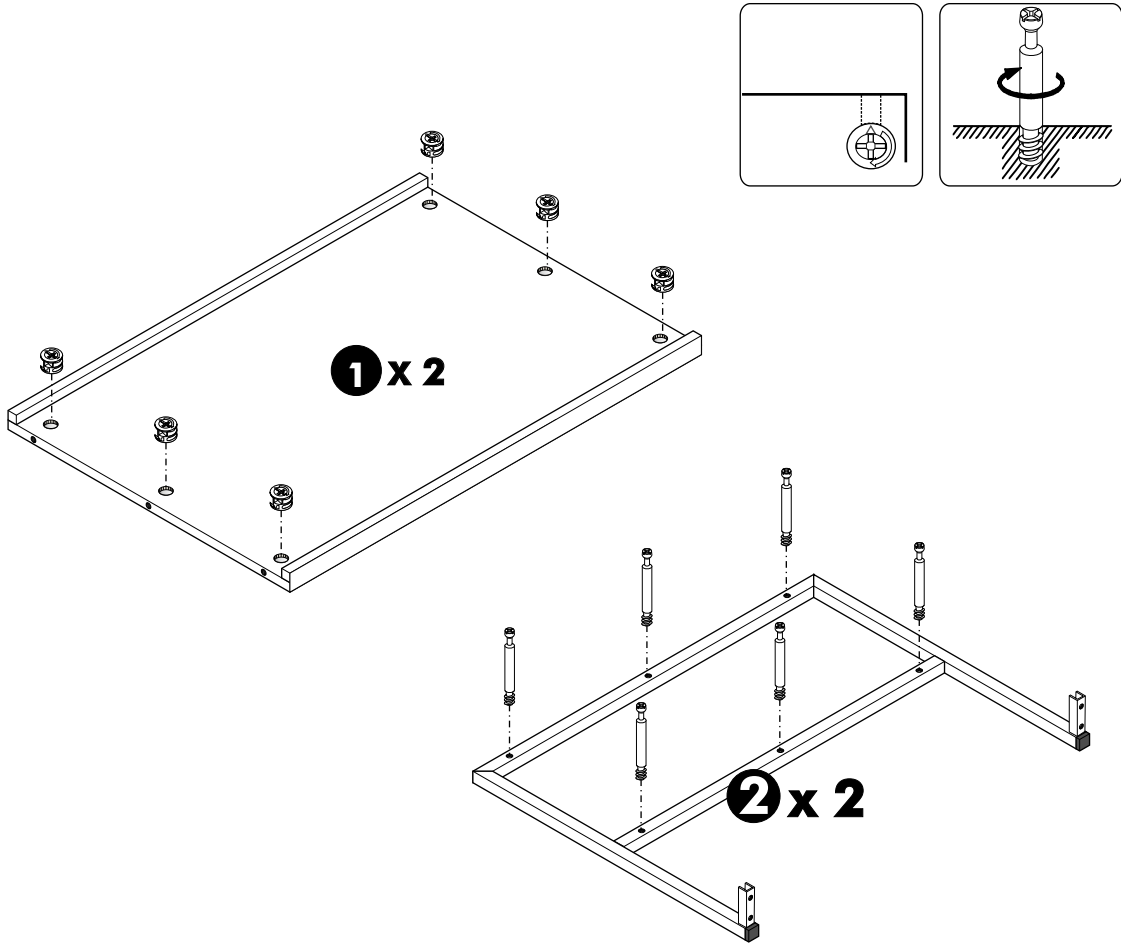
**x 8**



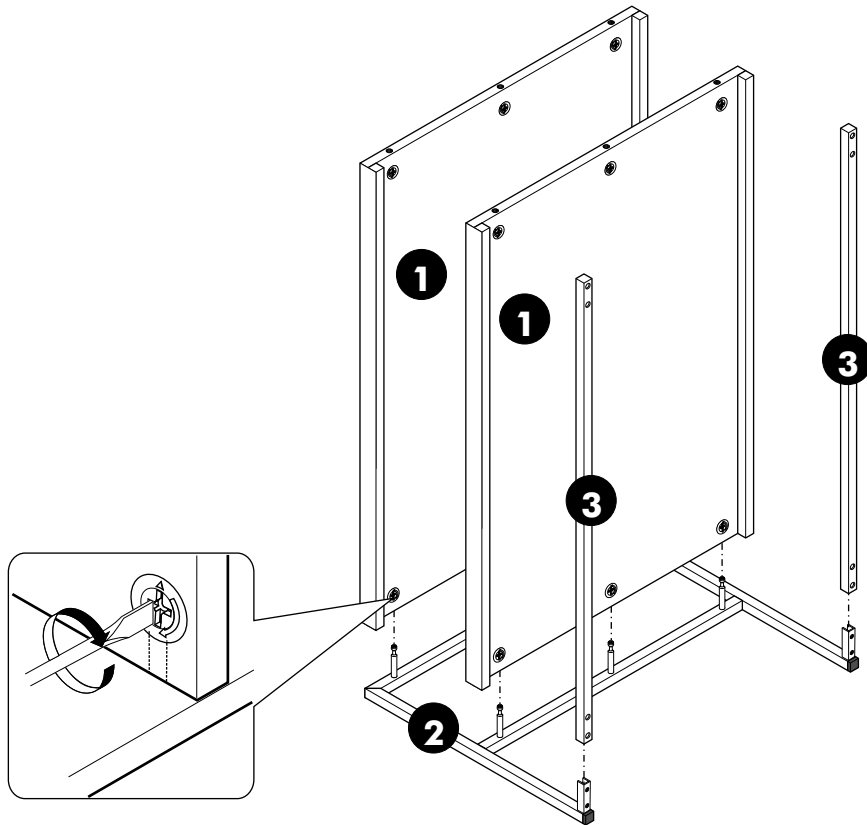
#M4

**x 1**

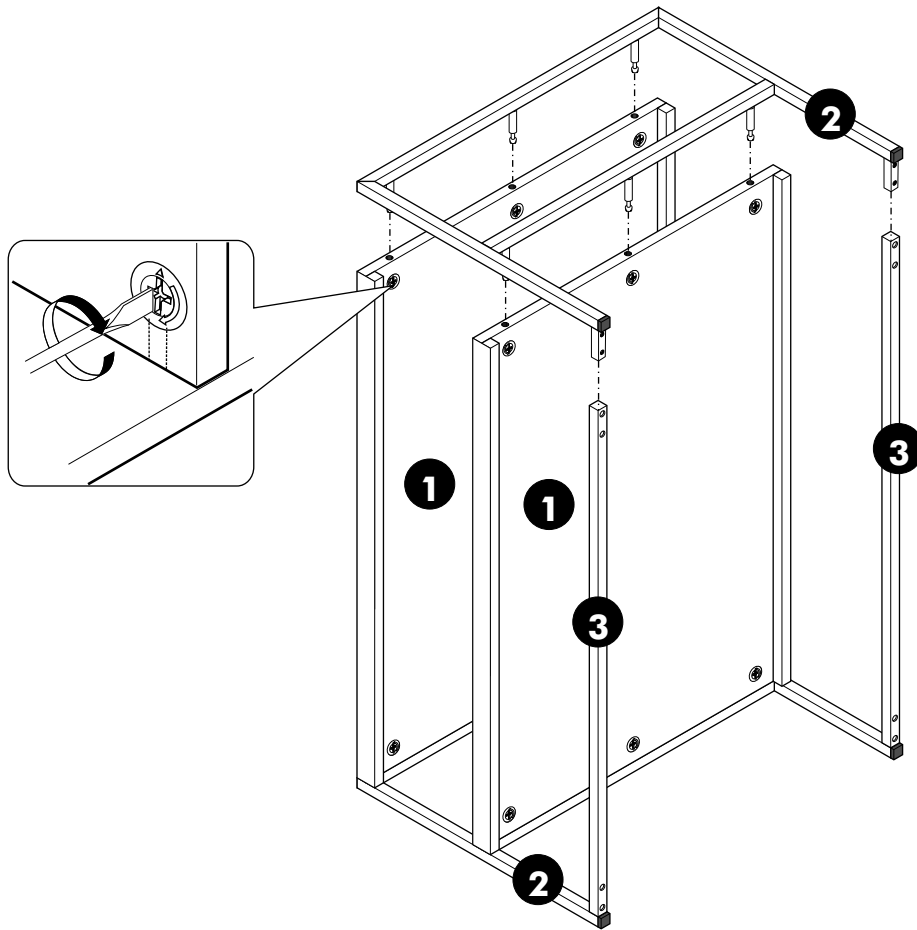
1.



2.



**3.**



**4.**

