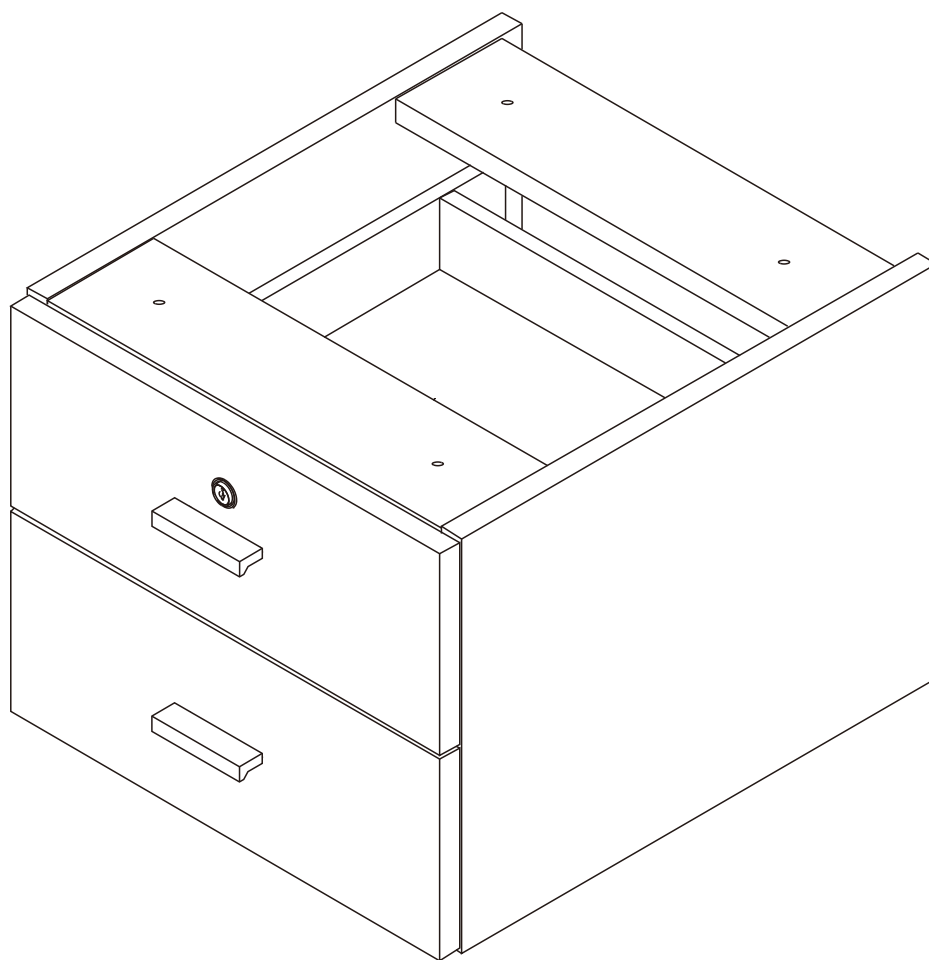
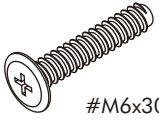


# VECTRA

**Hanging cabinet drw. 40 cm.**



# HARDWARE



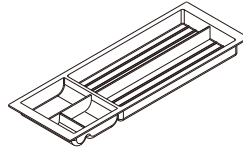
#M6x30mm.

**x 4**

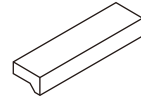


M4x25mm.

**x 2**



**x 1**

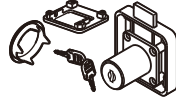


**x 2**



M4x22mm.

**x 4**



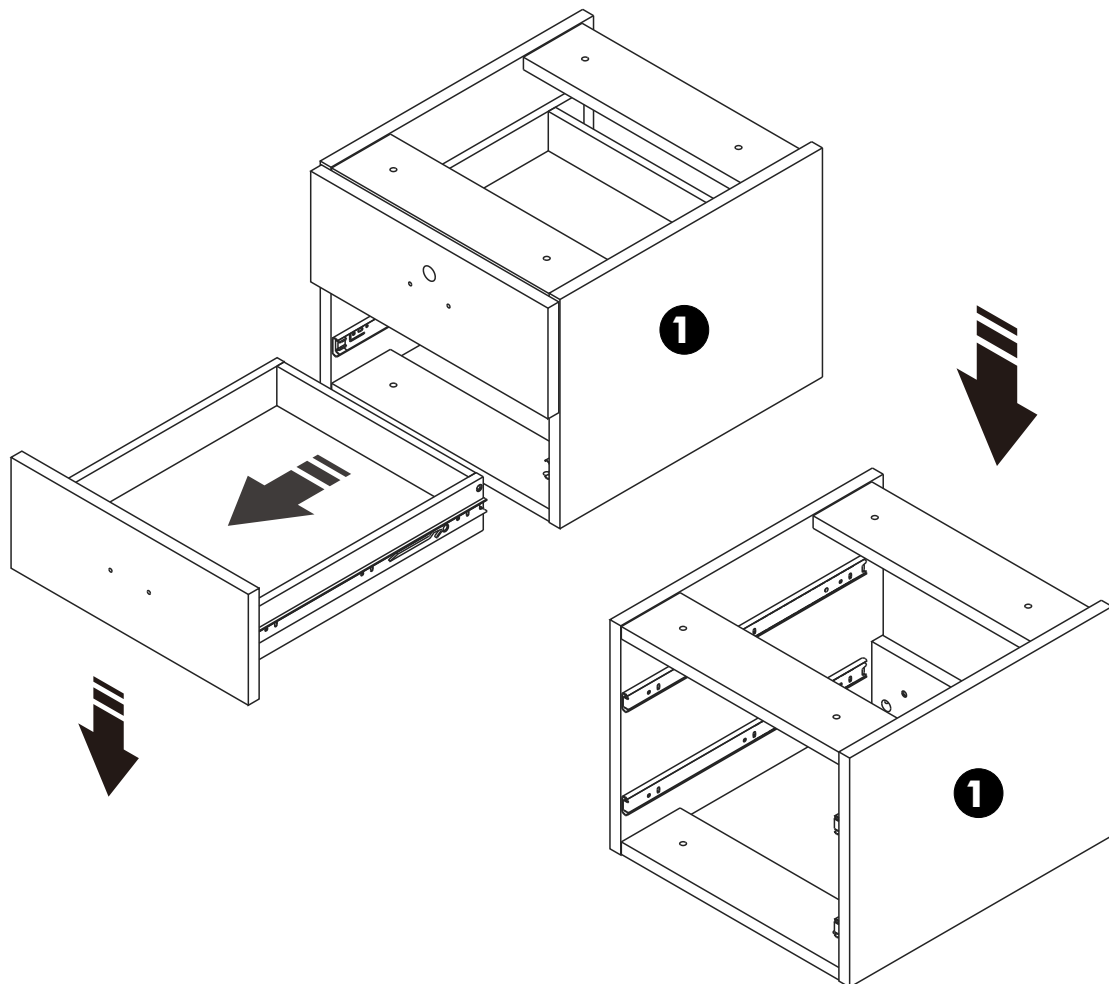
**x 1**



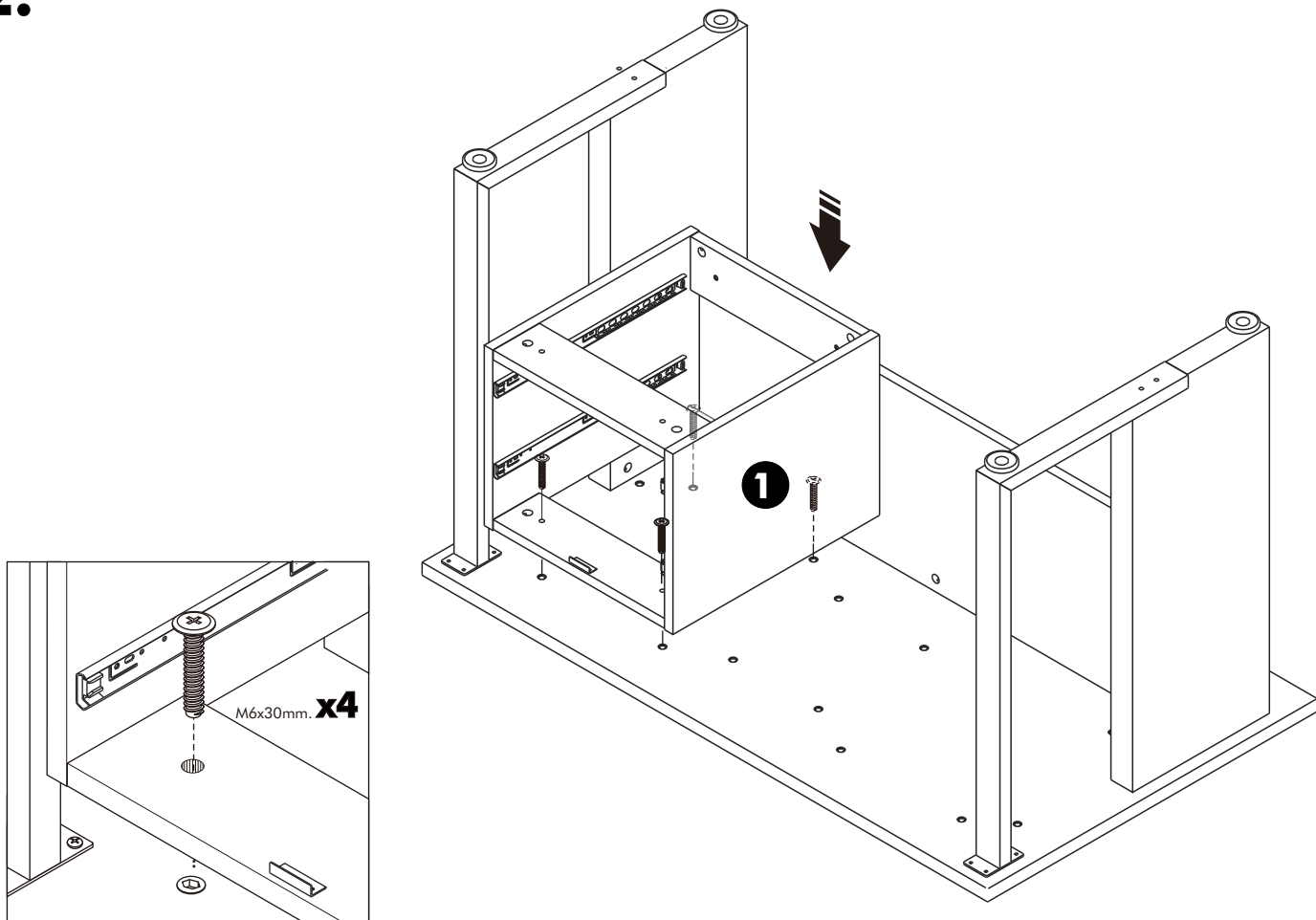
#5x3/4"

**x 4**

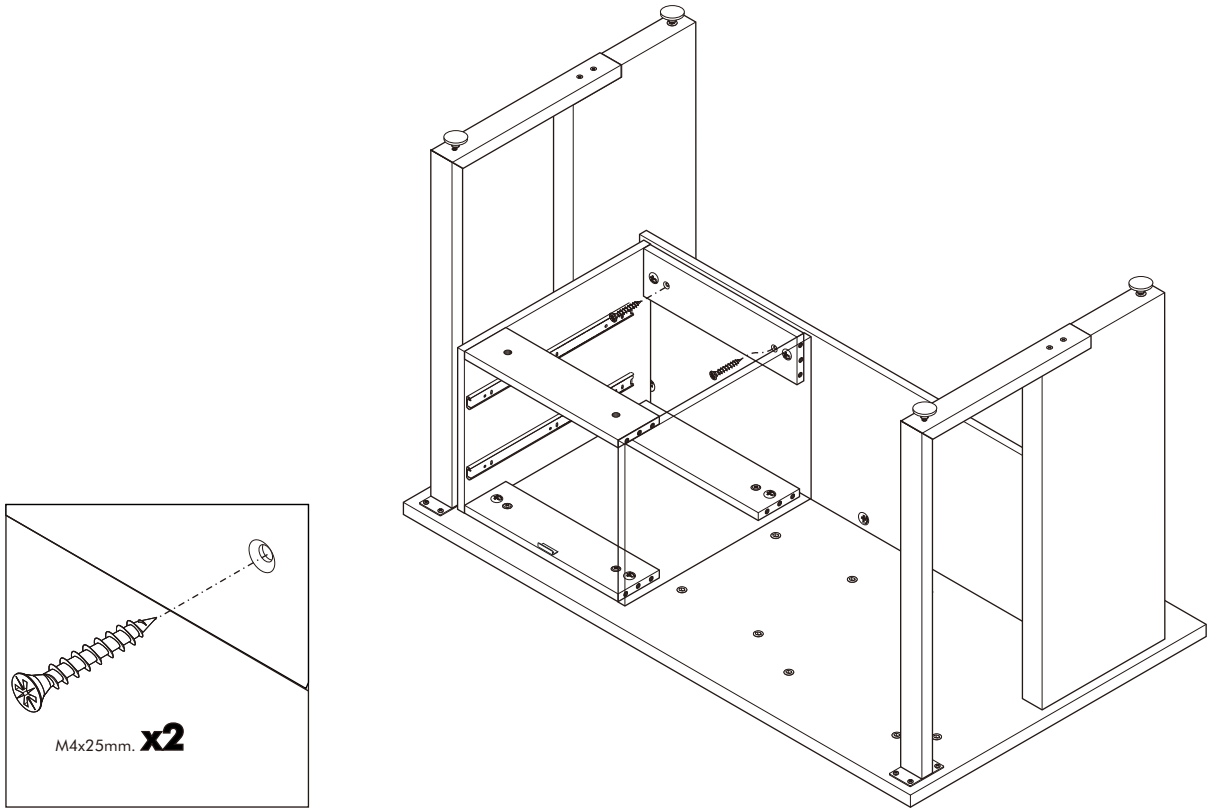
**1.**



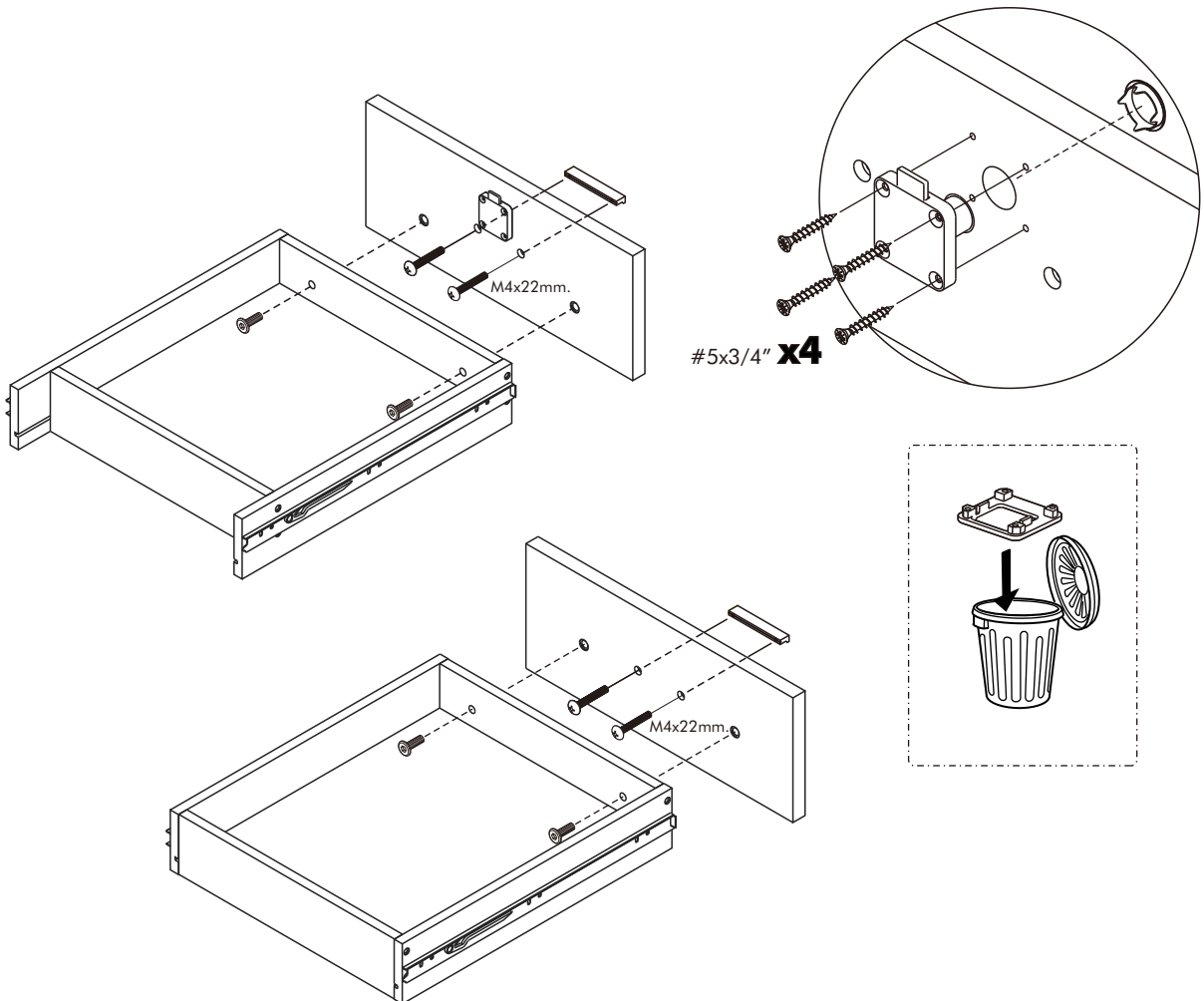
**2.**



**3.**



**4.**



**5.**

