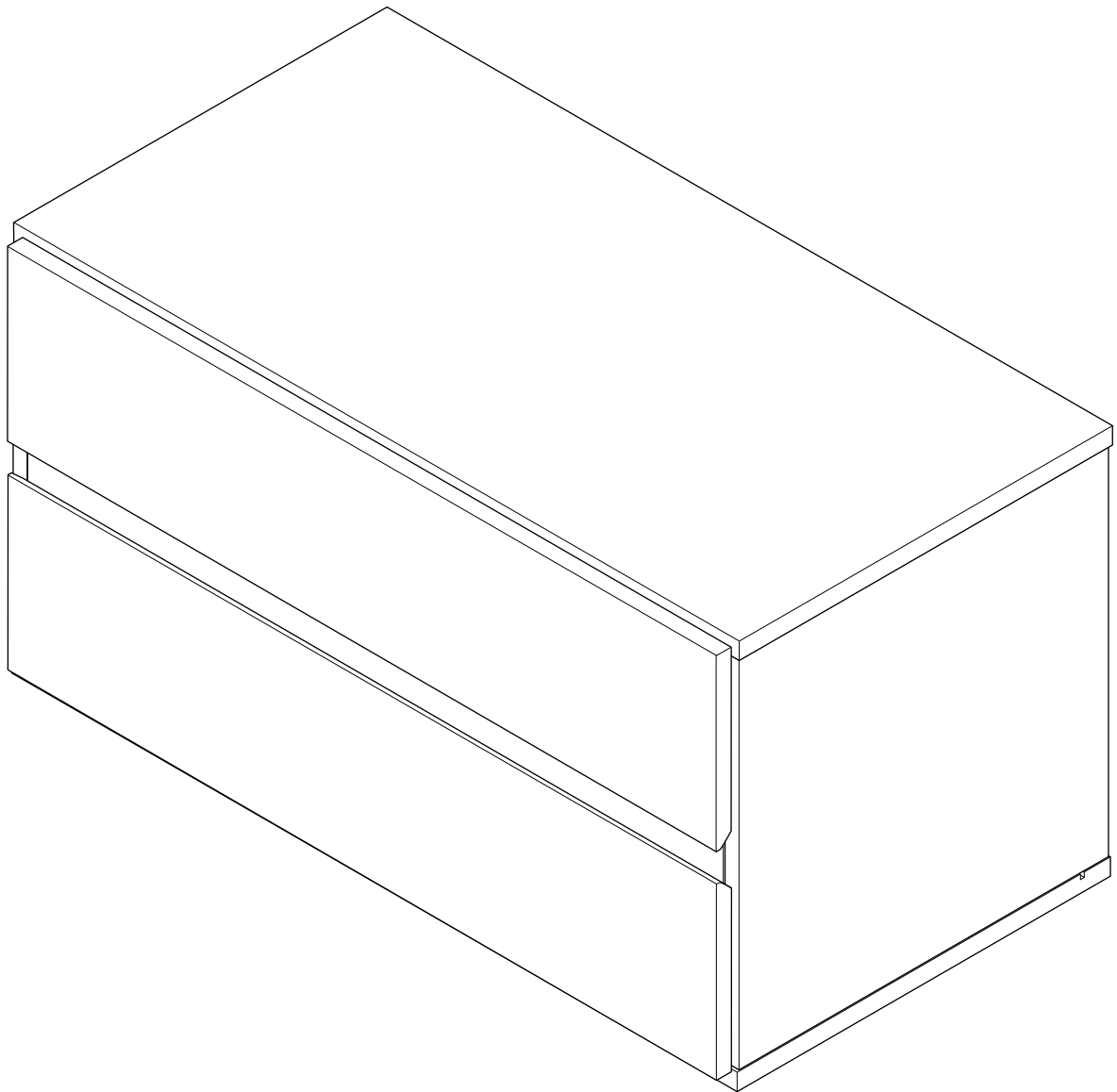


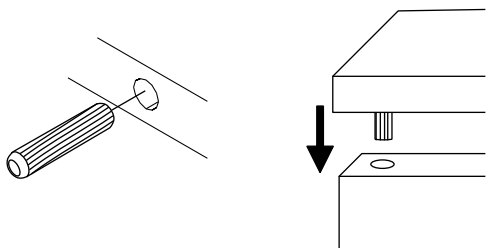
SMART FLEX

HANGING CABINET W/DRAWER/800

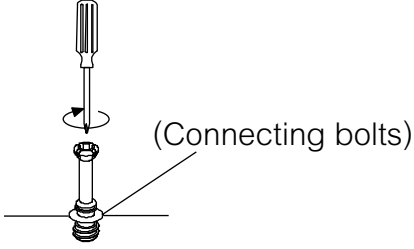


CONNECT SYSTEM

1

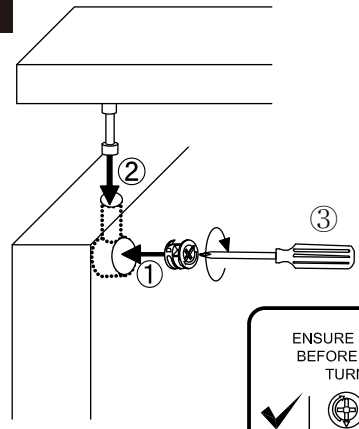


2





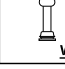



(Connecting bolts)

3

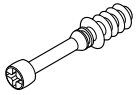


WHEN FITTING CAMS
ENSURE STARTING POSITION IS CORRECT
BEFORE YOU INSERT CONNECTING BOLT
TURN CLOCKWISE UNTIL SECURE

✓				✗
				
	CORRECT	WRONG		

HARDWARE

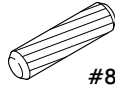
-BODY SET



x 10



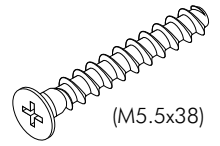
x 6



#8x35
x 7



#6x35
x 34



(M5.5x38)
x 4



x 4



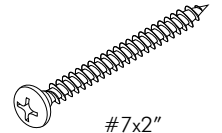
x 4



M4x20mm.
x 4



x 5

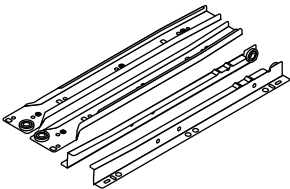


#7x2"
x 5



M4x13mm.
x 2

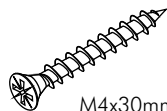
-DRAWER SET



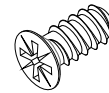
x 2



M3.5x13mm.
x 16

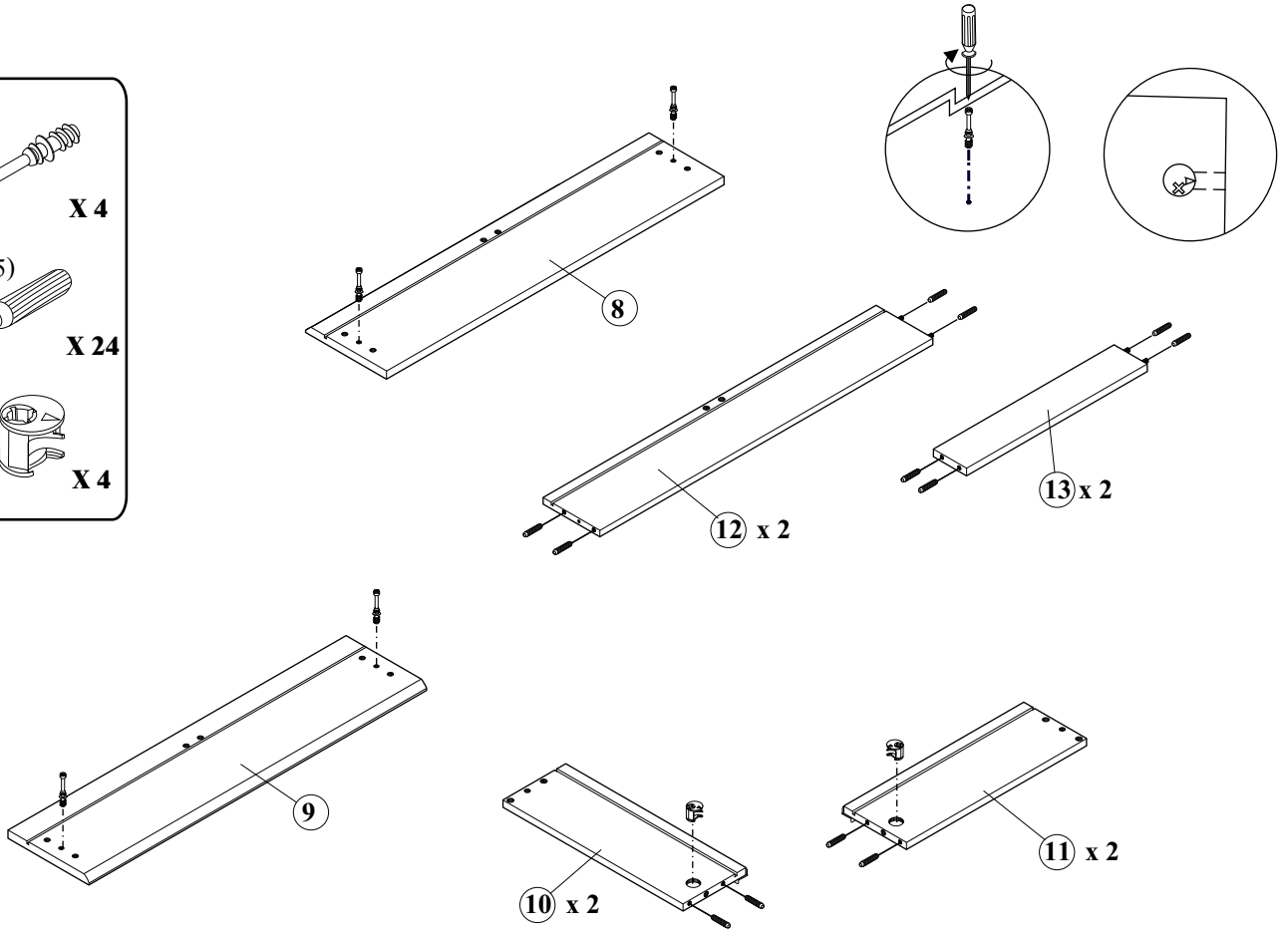
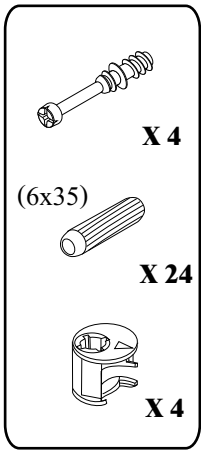


M4x30mm.
x 8

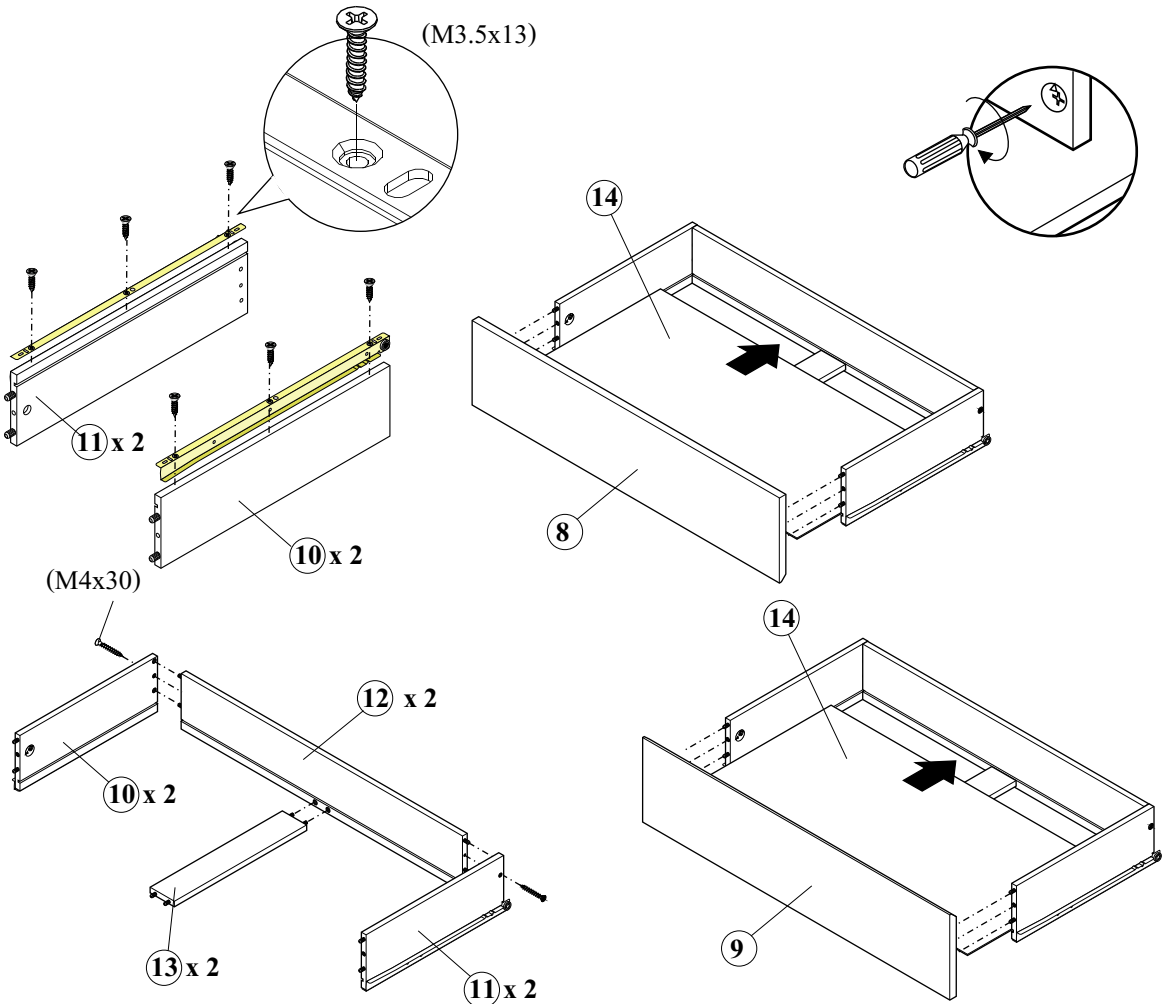
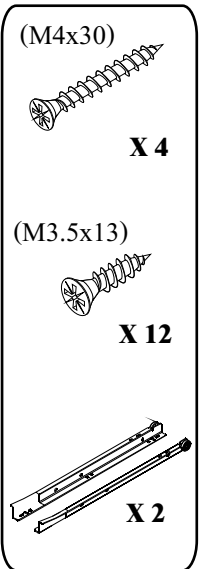


x 12


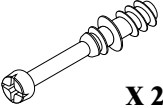
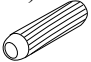
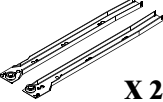
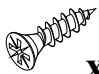
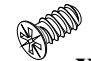
1.

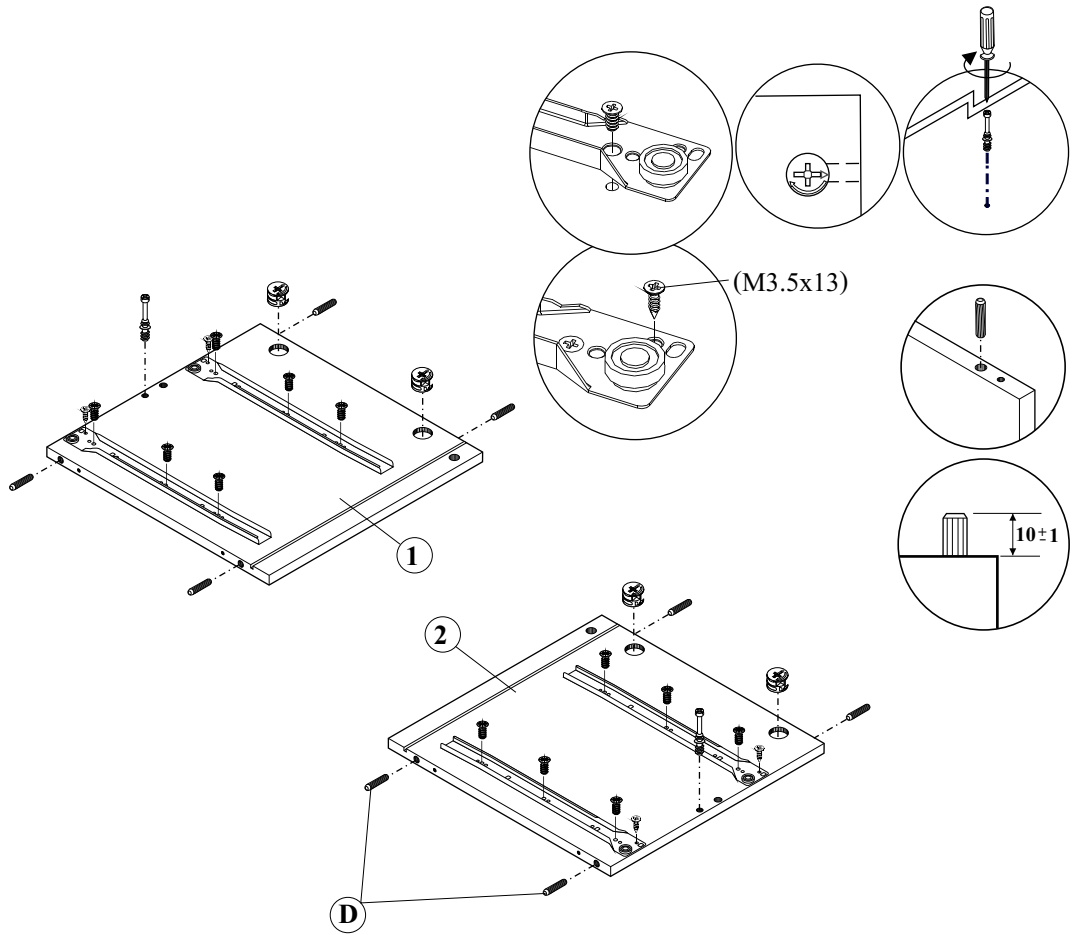


2.


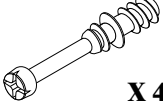
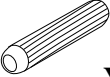
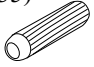
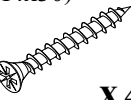


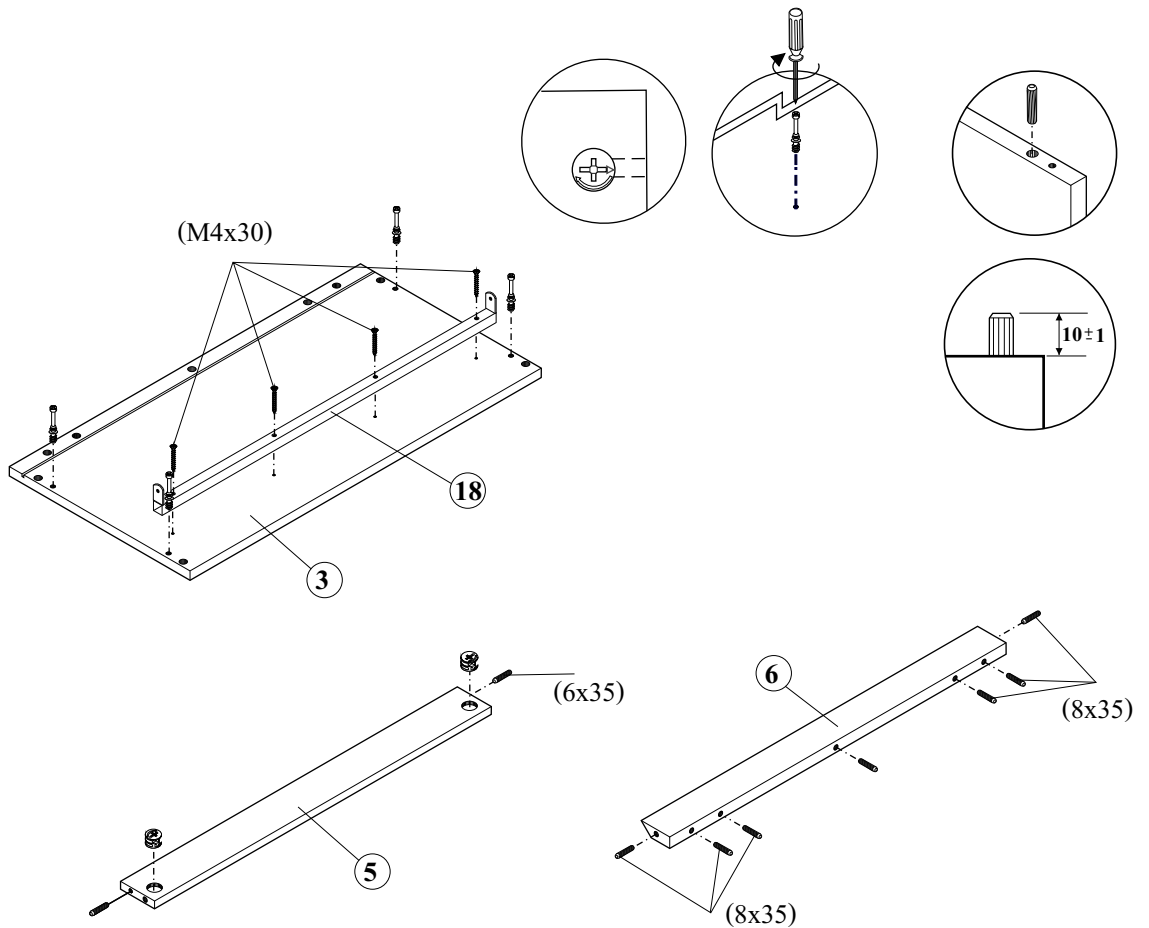
3.

-  X 4
-  X 2
- (6x35)
-  X 8
-  X 2
- (M3.5x13)
-  X 4
-  X 12

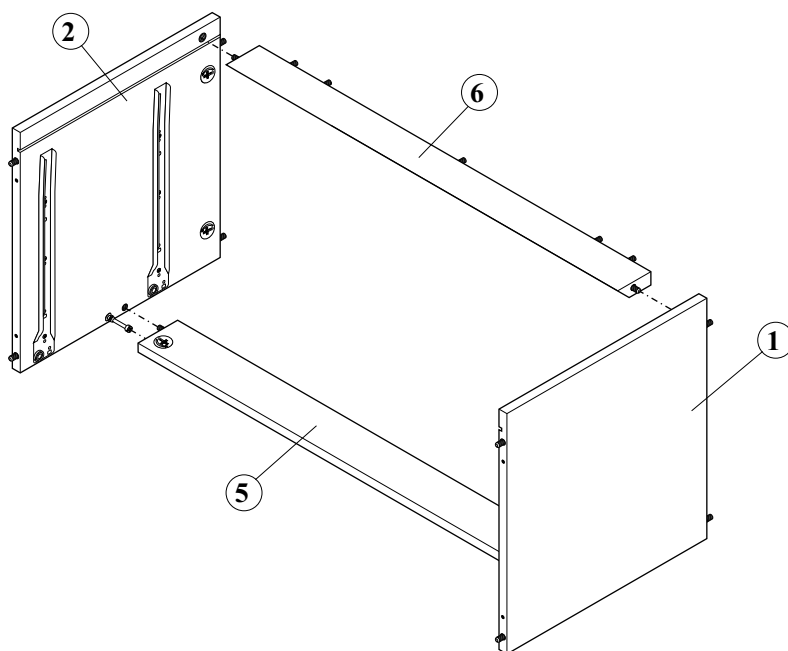
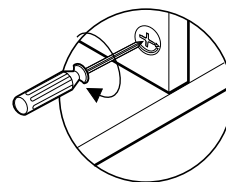


4.

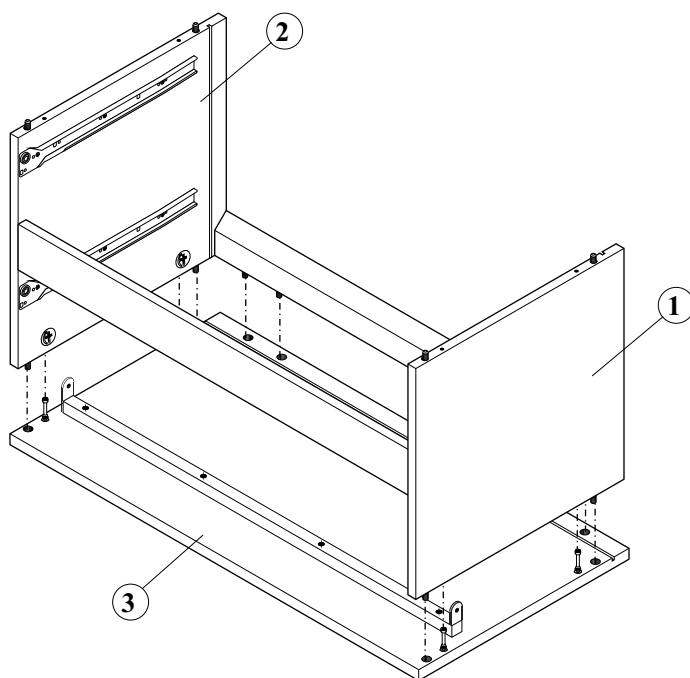
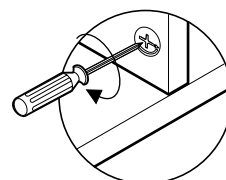
-  X 2
-  X 4
-  X 7
- (6x35)
-  X 2
- (M4x30)
-  X 4



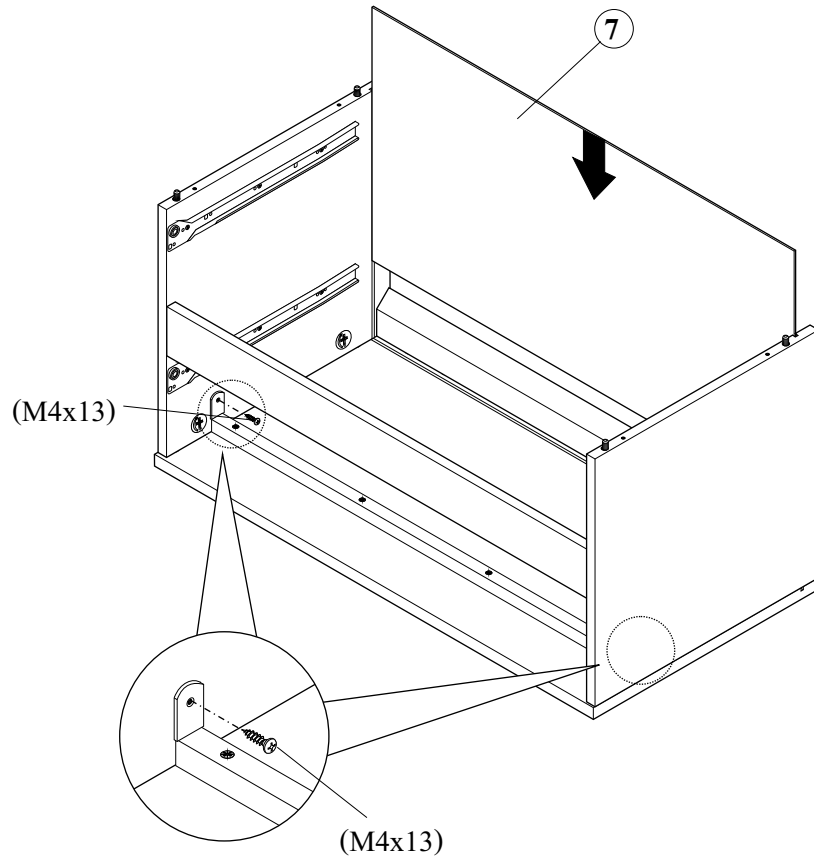
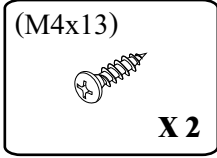
5.



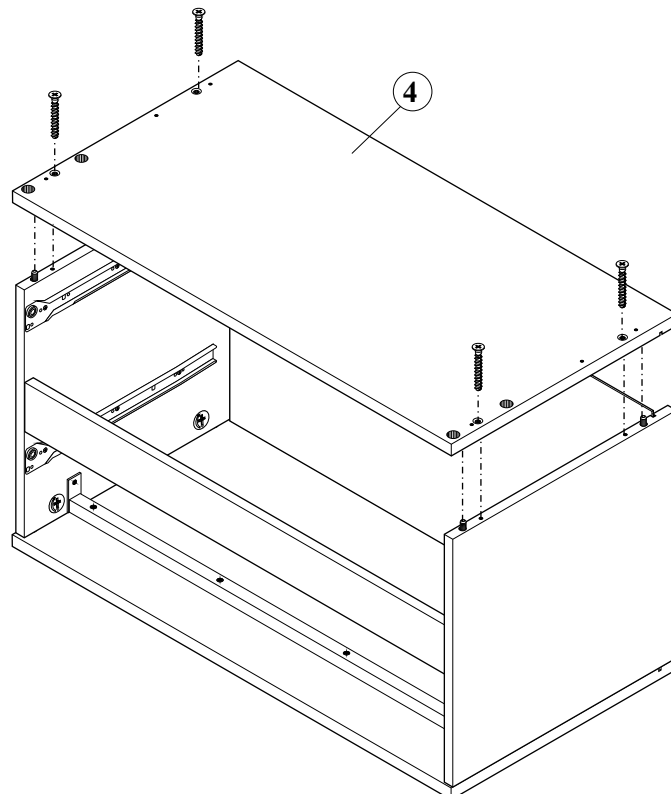
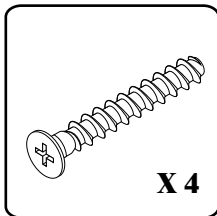
6.



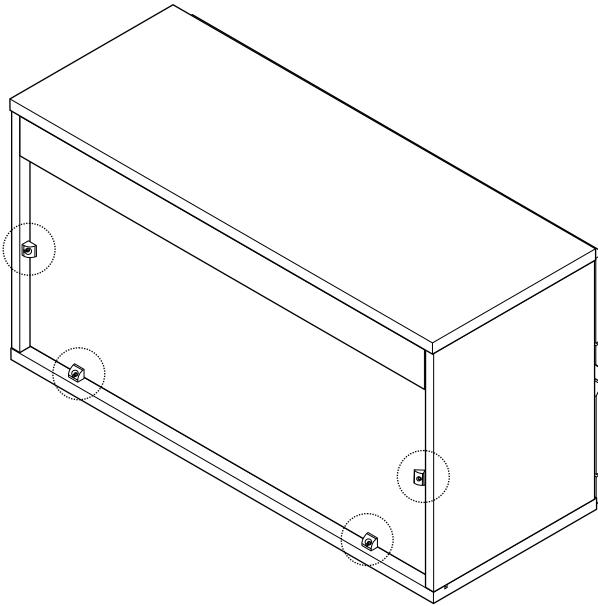
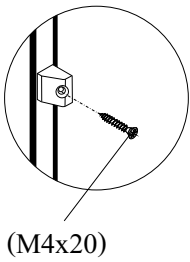
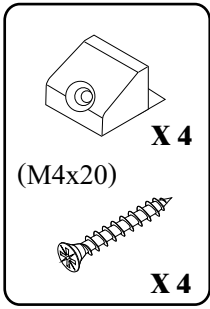
7.



8.



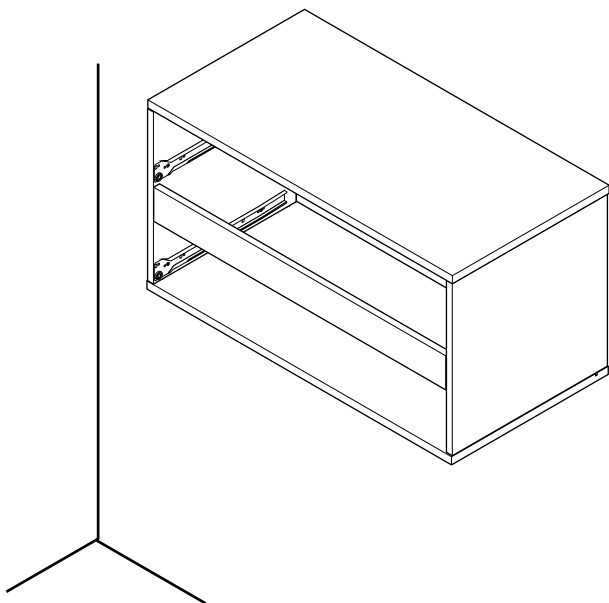
9.



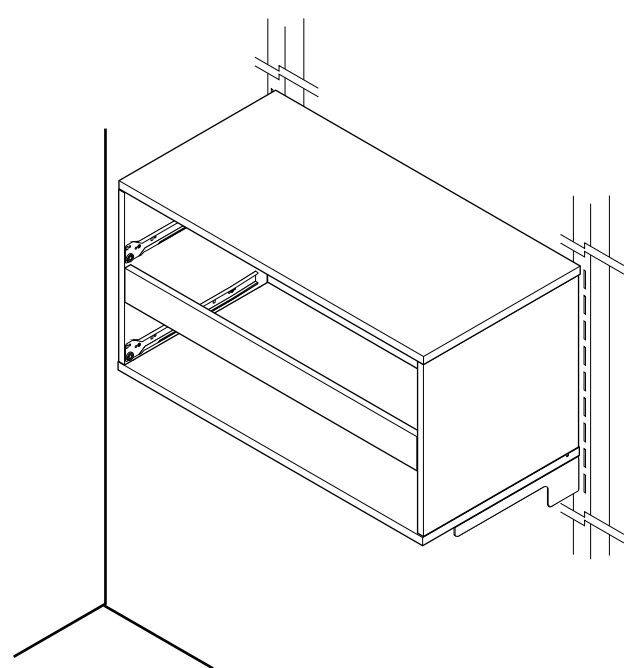
10.

REMARK

-BEFORE ASSEMBLY PLEASE CHOOSE HANGING METHOD.



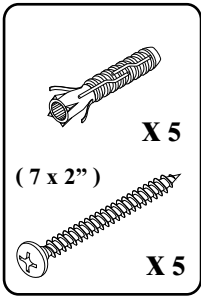
- (11.1) IN CASE HANG ON THE WALL



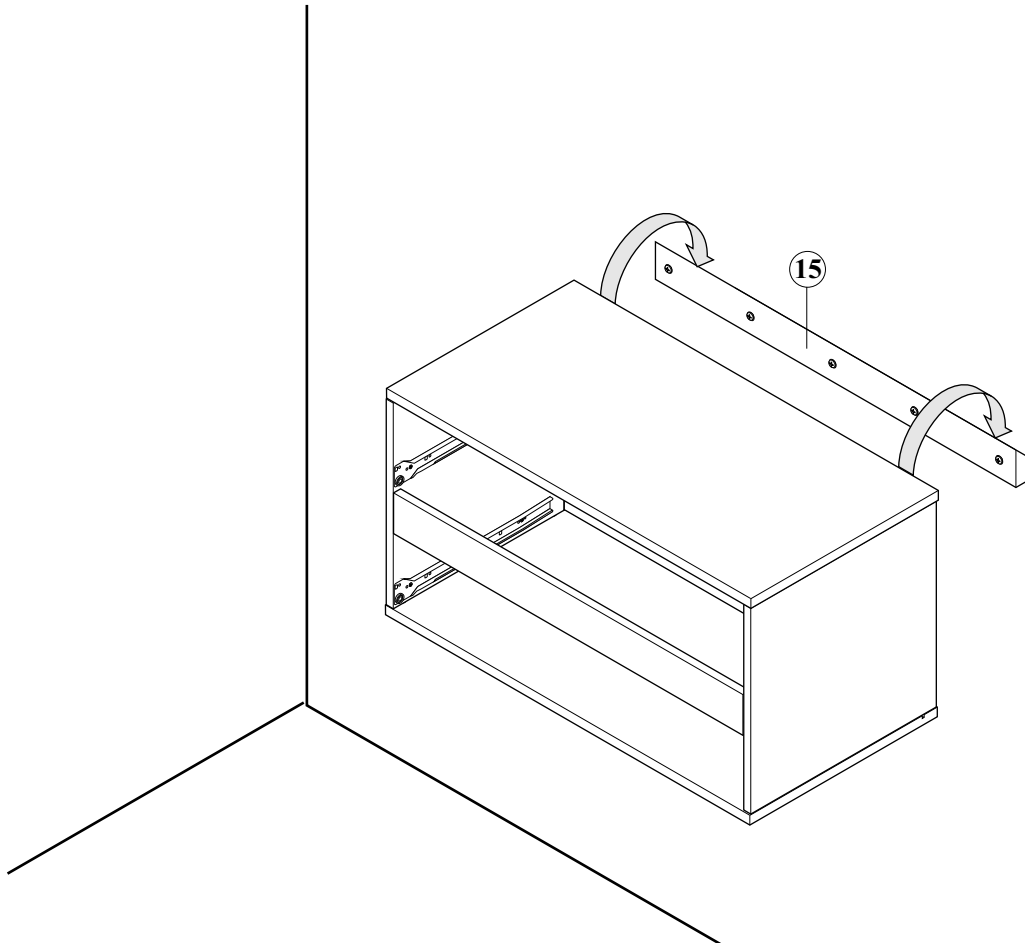
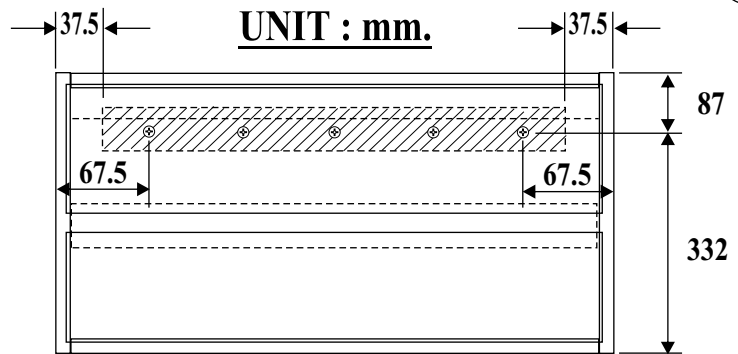
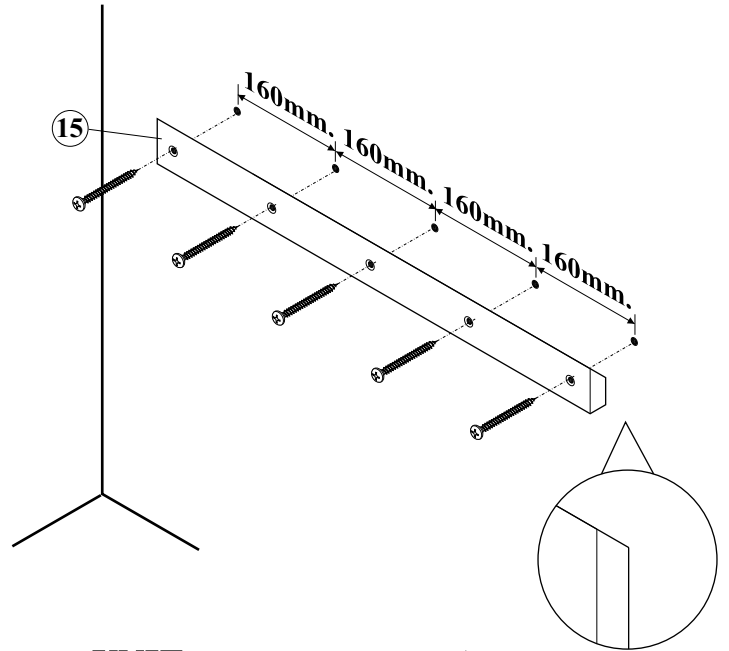
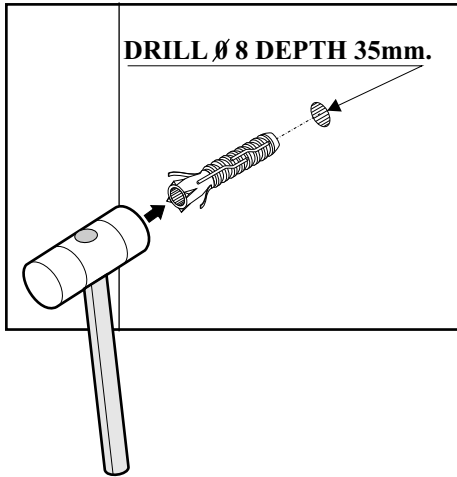
- (11.2) IN CASE HANG ON THE BRACKET

11.-1

HANG ON THE WALL

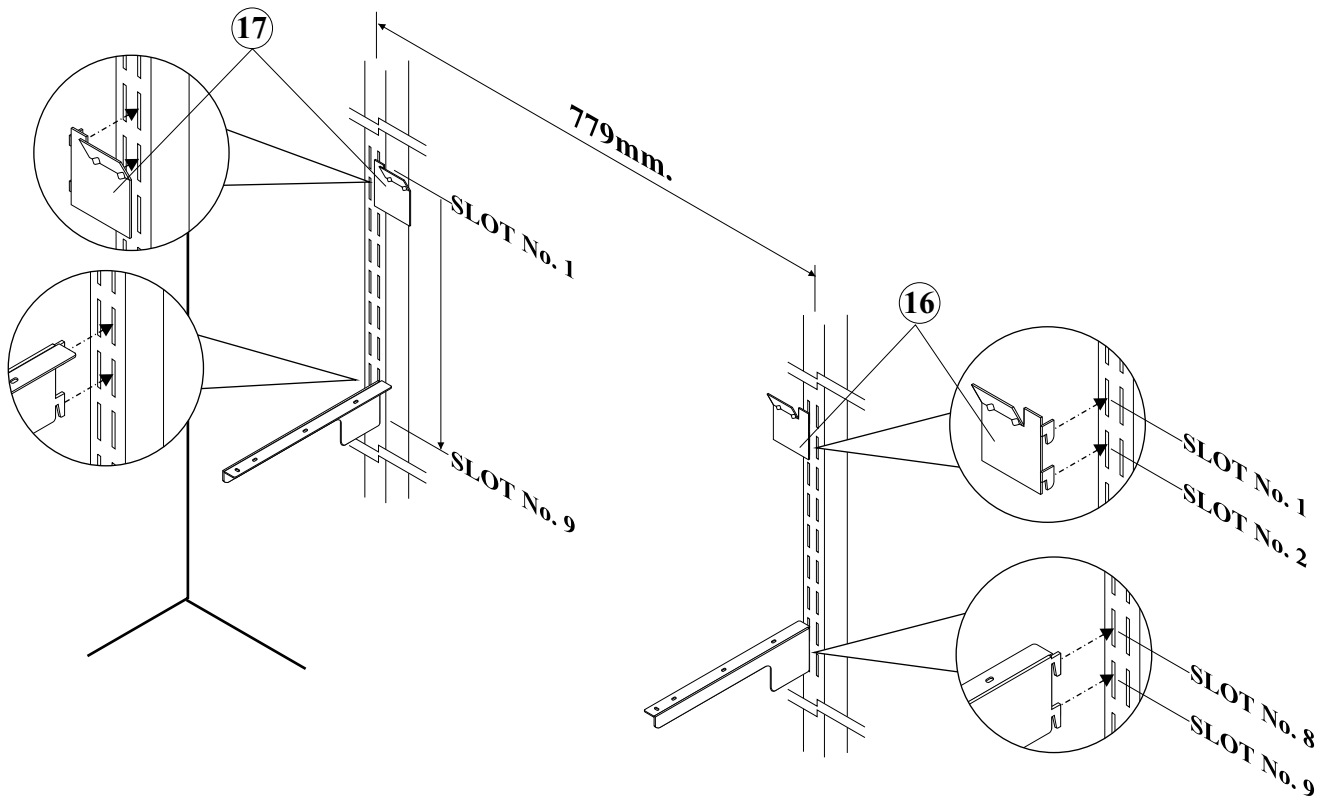


FOR CONCRETE WALL



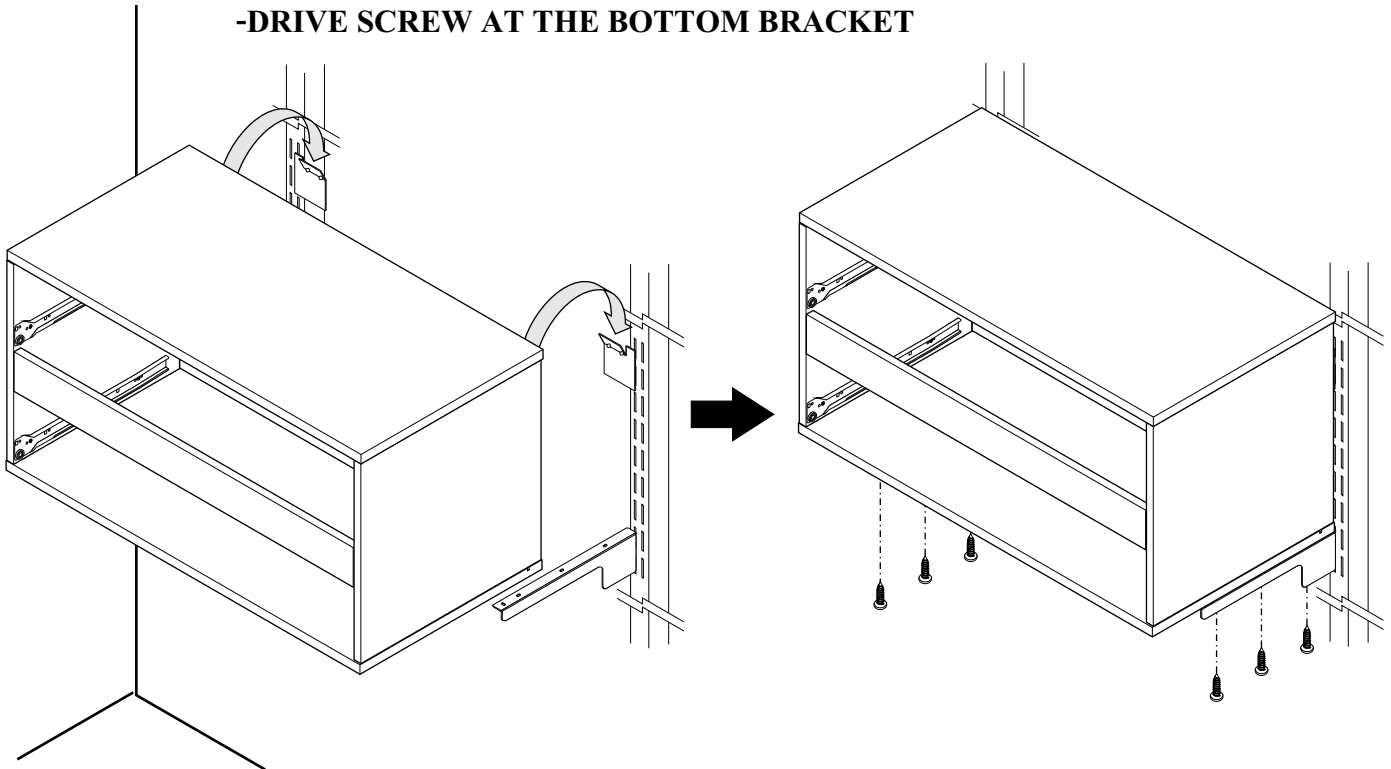
11.-2

HANG ON THE BRACKET



-HANG CABINET ON THE TOP BRACKET

-DRIVE SCREW AT THE BOTTOM BRACKET



12.

