

<b>Model</b>	LIFE_SR_D_VOID		
<b>Creator</b>	YUTHAPONG	<b>.BCP Name</b>	INDEX_C3D_KITCHEN2
<b>Reviewer</b>		<b>Order</b>	F000597
<b>Approves</b>		<b>Date</b>	19/02/2021

## **LIFE\_SR\_D\_VOID-600X550X150**

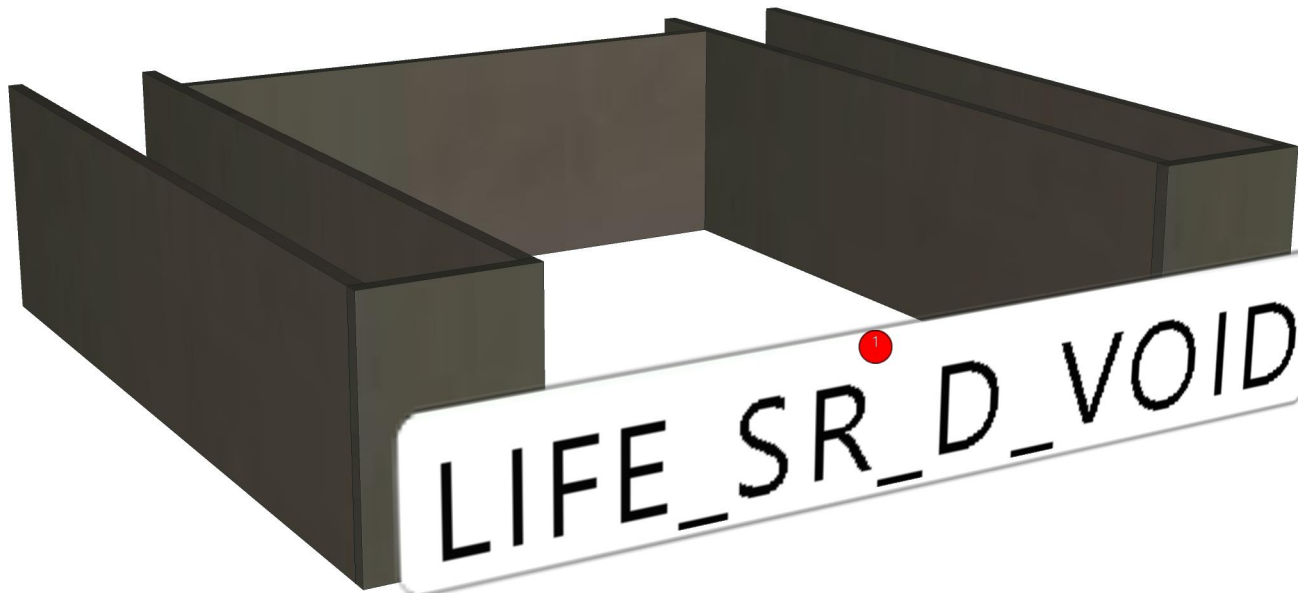
**Colour**

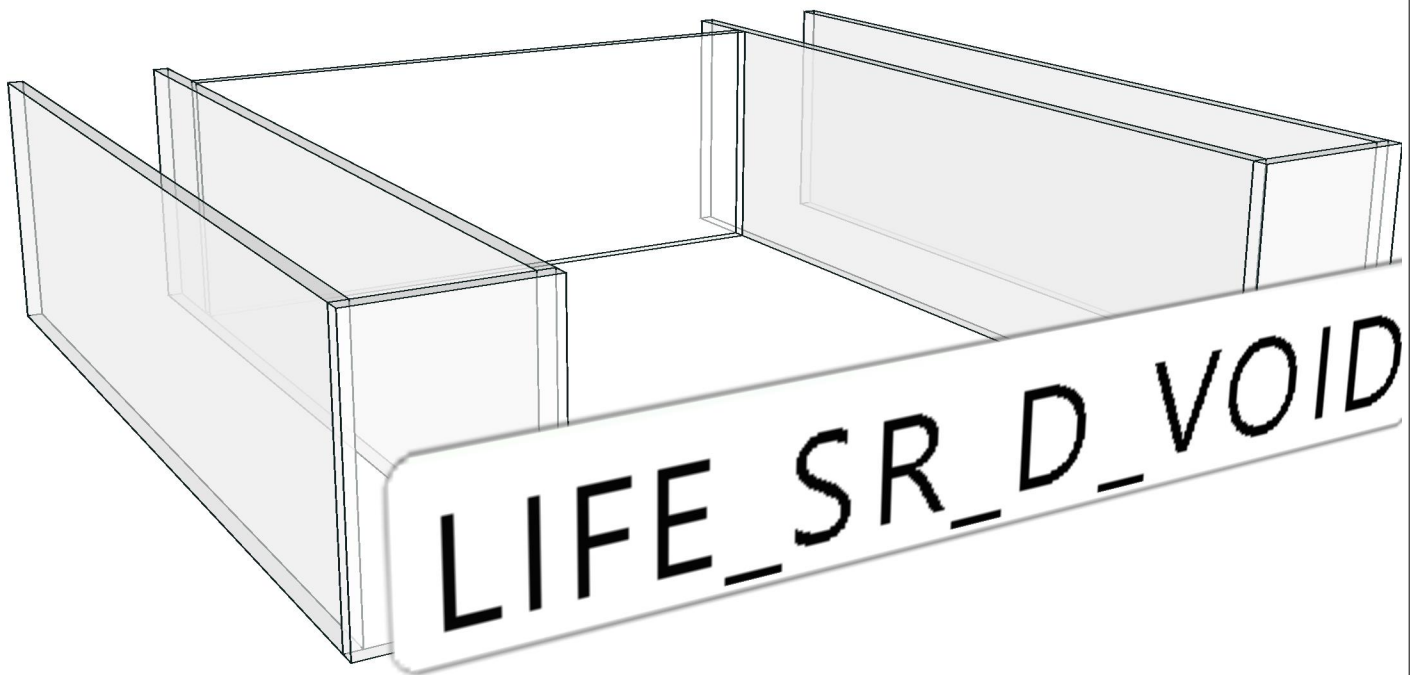
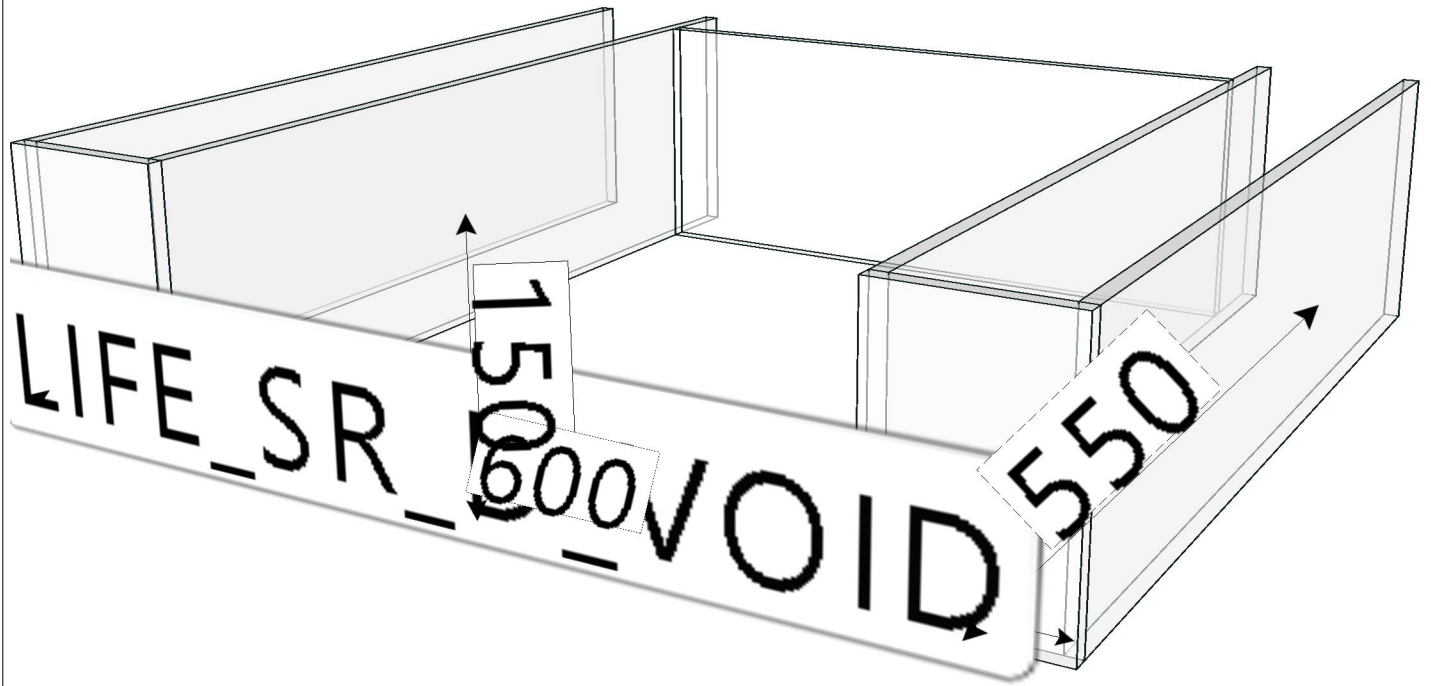
20.15=ML ML R5 (STRIPPLE MATT)

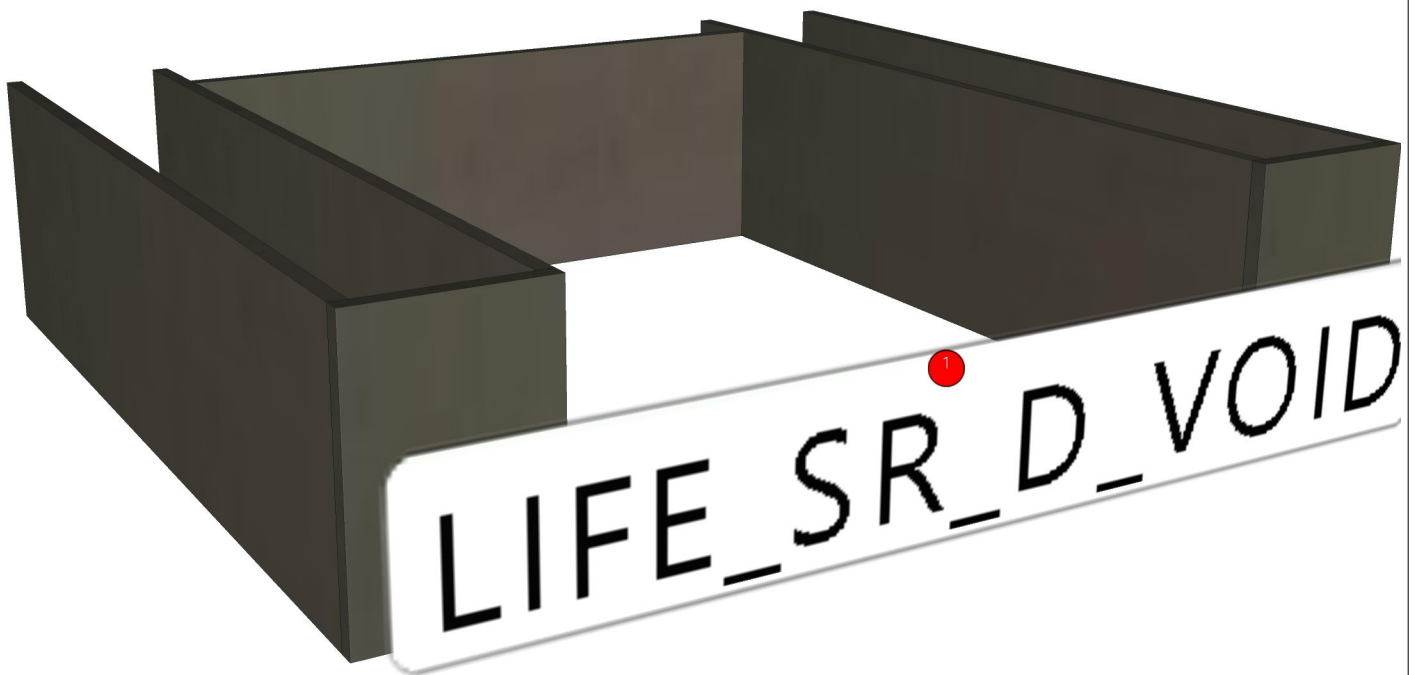
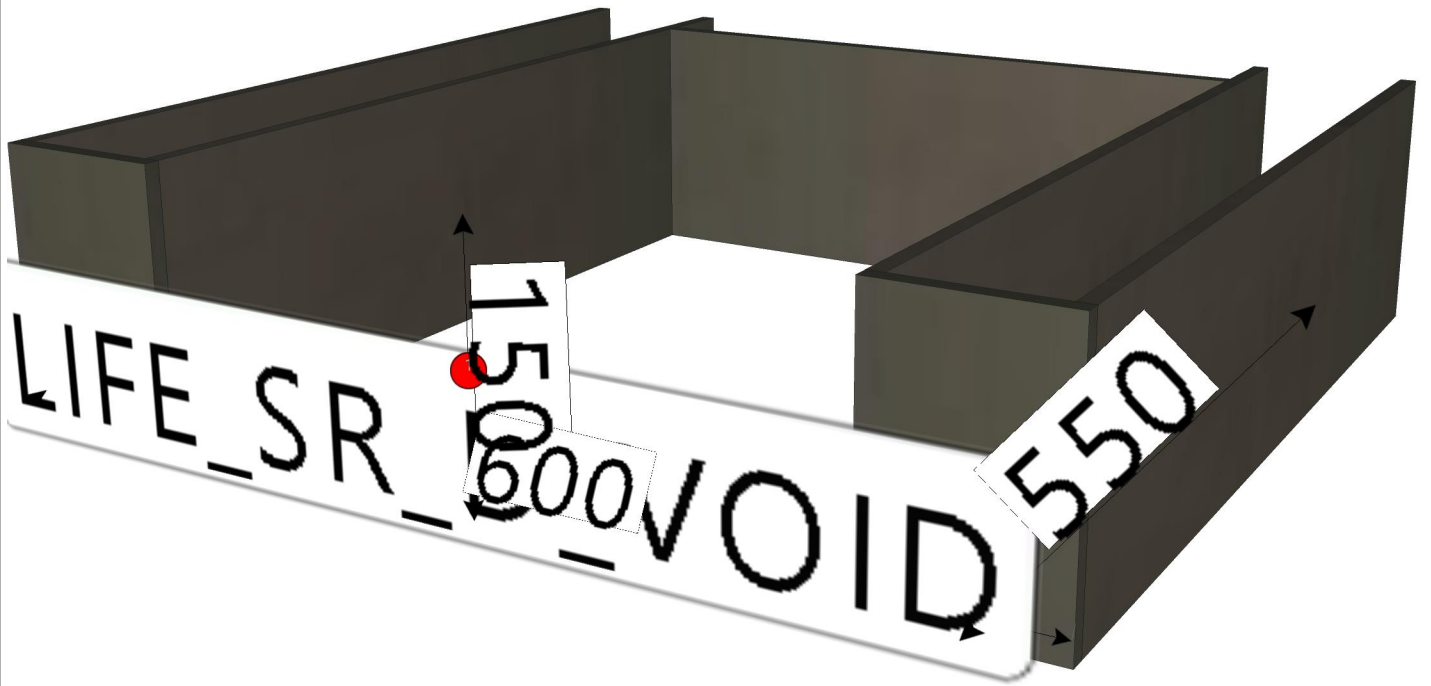
**Edge**

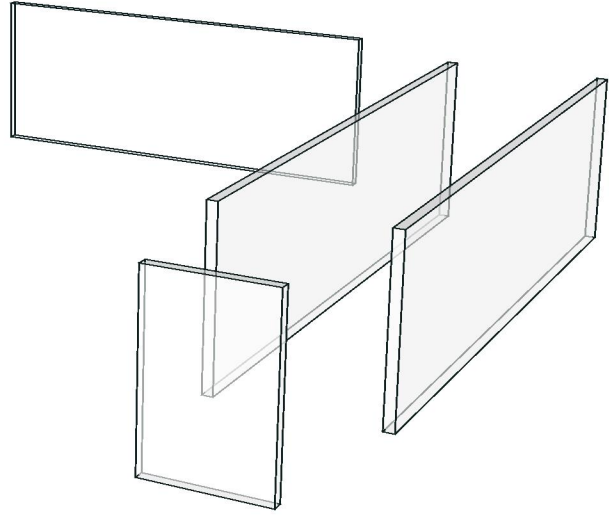
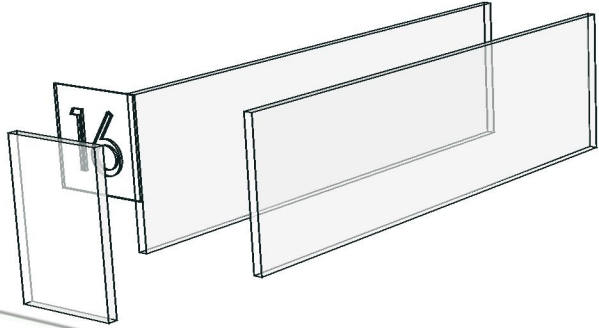
01.213=1MM R5

<b>R&amp;D REVIEW</b>	
<input type="checkbox"/>	DWG.Customer
<input type="checkbox"/>	Work Report
<input type="checkbox"/>	Function
<input type="checkbox"/>	สินค้าตรงตัวอย่าง
ผู้ทบทวน _____	
_____	

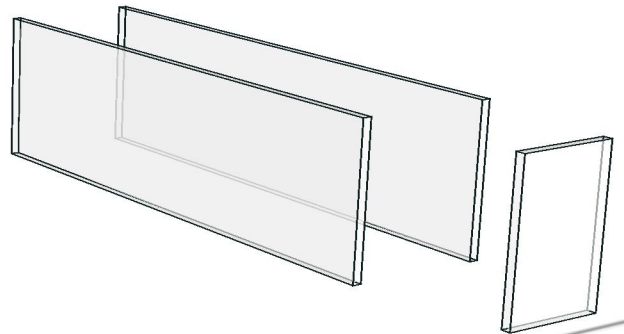
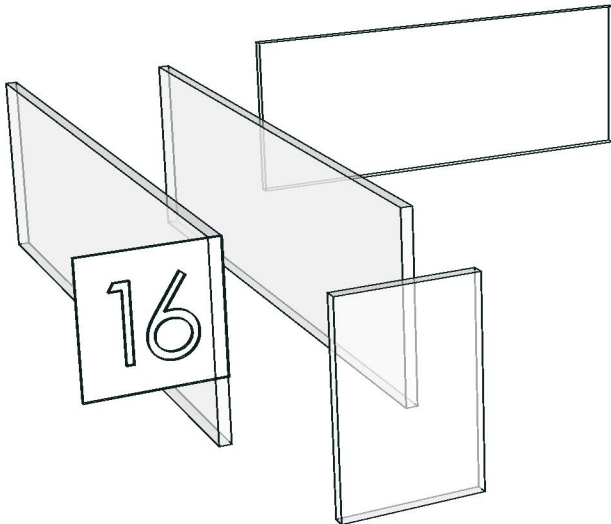








LIFE\_SR\_D\_VOID



LIFE\_SR\_D\_VOID

<b>Model</b>	LIFE_SR_D_VOID		
<b>Creator</b>	YUTHAPONG	<b>.BCP Name</b>	INDEX_C3D_KITCHEN2
<b>Reviewer</b>		<b>Order</b>	F000597
<b>Approves</b>		<b>Date</b>	19/02/2021

No.	Article No.	Description	Mat	Dimension	Cutting Size	Typepology	Skin
0	LIFE_SR_D_VOID			600x150x550			
	LIFE_SR_D_VOID-0-160	BEAM DRAWER 1	PB-ST	150x541x9	9X539X7;L2:W2	660000_STR=20.15_EDG=R5-1	2
	LIFE_SR_D_VOID-0-161	LEFT VOID 2	PB-SP	9x150x541	9X148X539;L2:W2	661000_STR=20.15_EDG=R5-1	2
	LIFE_SR_D_VOID-0-162	RIGHT VOID 1	PB-SP	9x150x541	9X148X539;L2:W2	662000_STR=20.15_EDG=R5-1	2
	LIFE_SR_D_VOID-0-163	RIGHT VOID 2	PB-SP	9x150x541	9X148X539;L2:W2	663000_STR=20.15_EDG=R5-1	2
	LIFE_SR_D_VOID-0-164	MID VOID	PB-SP	9x150x400	9X148X398;L2:W2	664000_STR=20.15_EDG=R5-1	2
	LIFE_SR_D_VOID-0-165	FRONT LEFT VOID	PB-SP	9x150x100	9X148X98;L2:W2	665000_STR=20.15_EDG=R5-1	2
	LIFE_SR_D_VOID-0-166	FRONT RIGHT VOID	PB-SP	9x150x100	9X148X98;L2:W2	666000_STR=20.15_EDG=R5-1	2

# FITTING LIST

Qty per 1 set

No	New	Article fitting	List	Connect	Qty/Pcs				Cost / Qty	Sum Cost
					Spray	Ass	Pack	Sum		
0		LIFE_SR_D_VOID		600x150x550						
		4121100027	ฉากพลาสติกใหญ่ สีขาว #00905				12	12		
		4130100064	สกรูเกลียวปหล่อ F+6x3/8" นีเกิล #0912				48	48		

No	Date	REVISION RECORD	REMARK	Create	YUTHAPONG	date:19/02/2021	Product name : -
4				Revivewer		date:	Article: TYPE:
3				Approves		date:	
2				Design			Customer: Indexlivingmall
1	19/02/2021	First departure		Name&Art			No:
<b>INTERFURN</b> INDEX INTERFURN CO.LTD Document control FR-RD-004 : REV#00:24/04/60							Page 3