

Model	LIFE_SR_PLINT750		
Creator	YUTHAPONG	.BCP Name	INDEX_C3D_KITCHEN2
Reviewer		Order	F000585
Approves		Date	19/02/2021

LIFE_SR_PLINT750-750X9X150

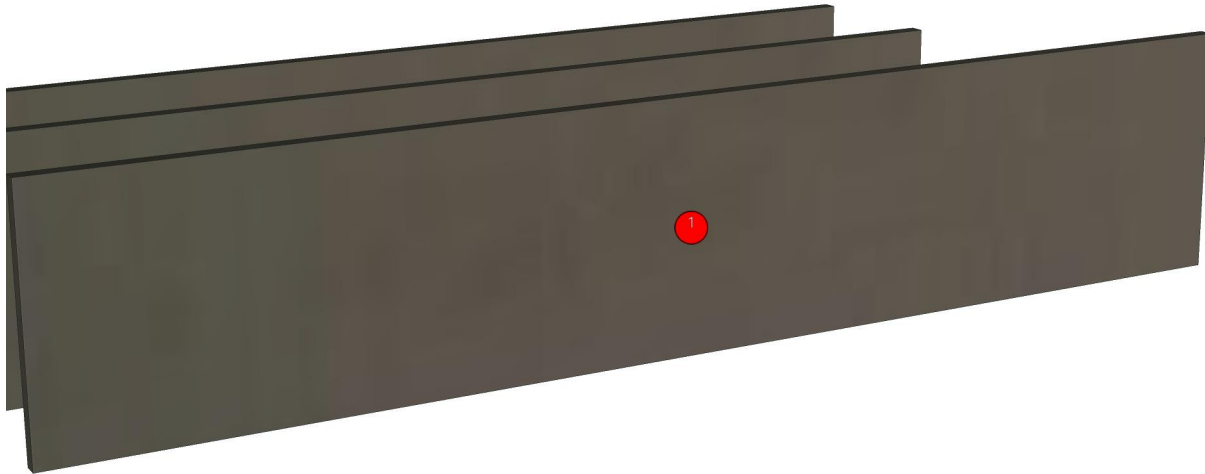
Colour

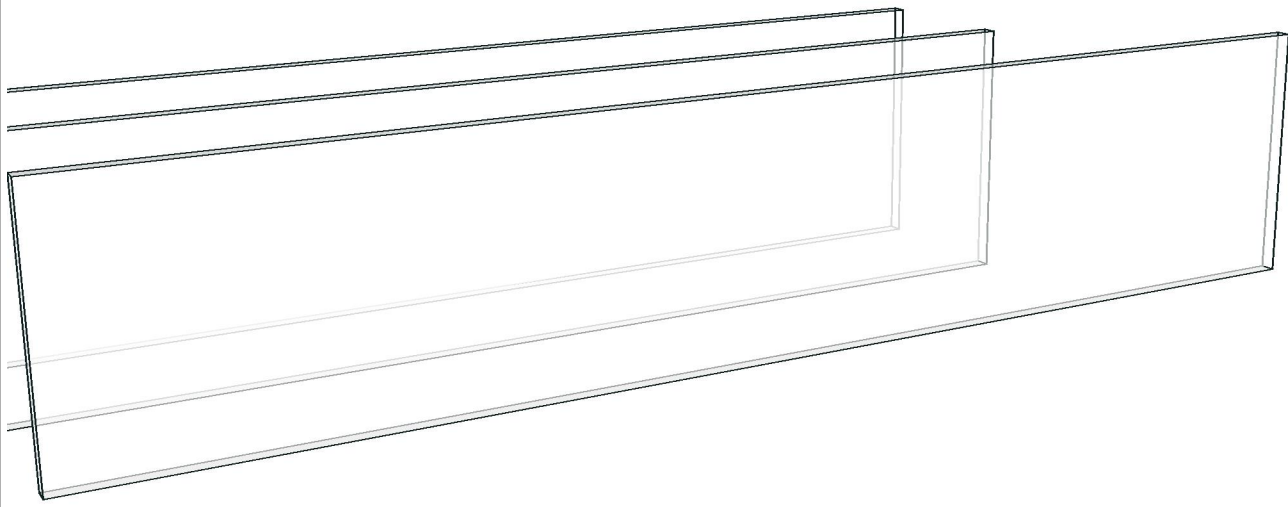
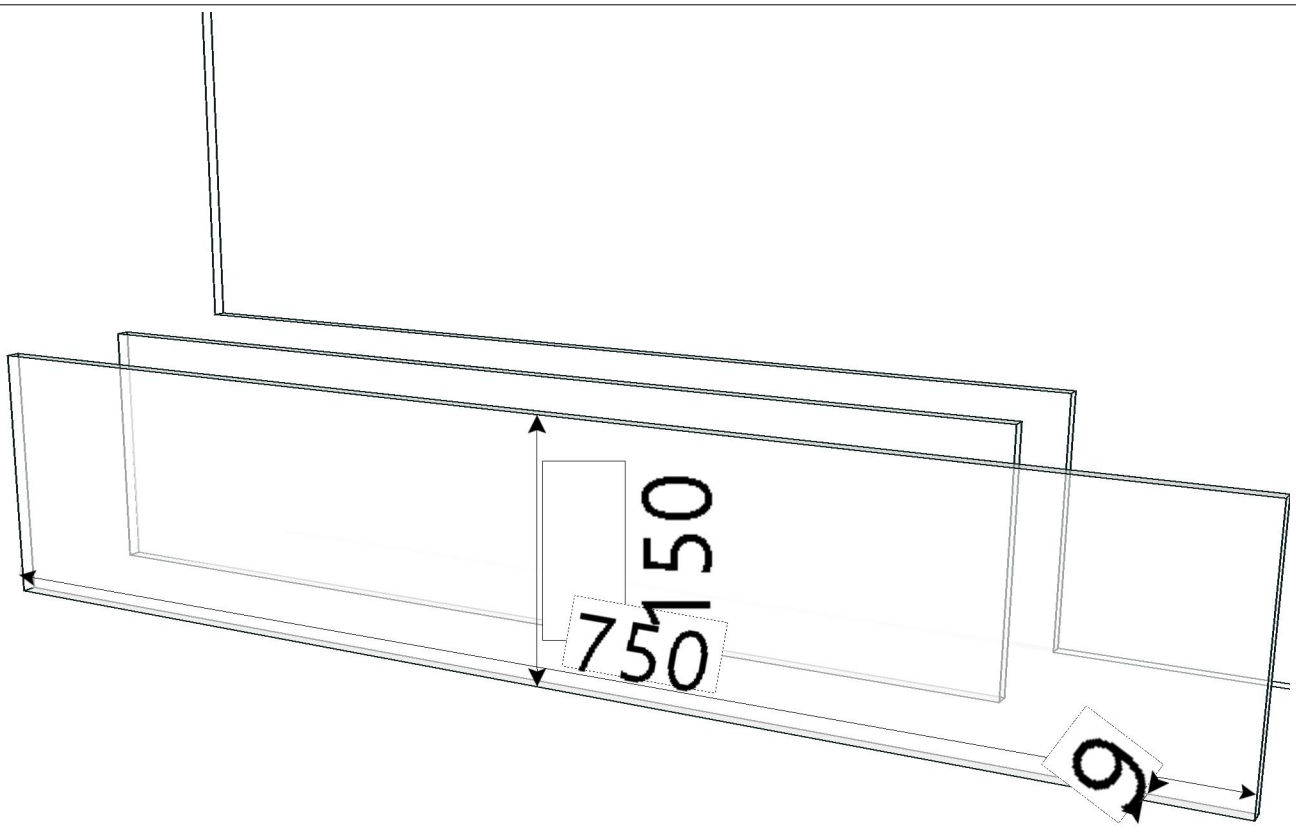
20.15=ML ML R5 (STRIPPLE MATT)

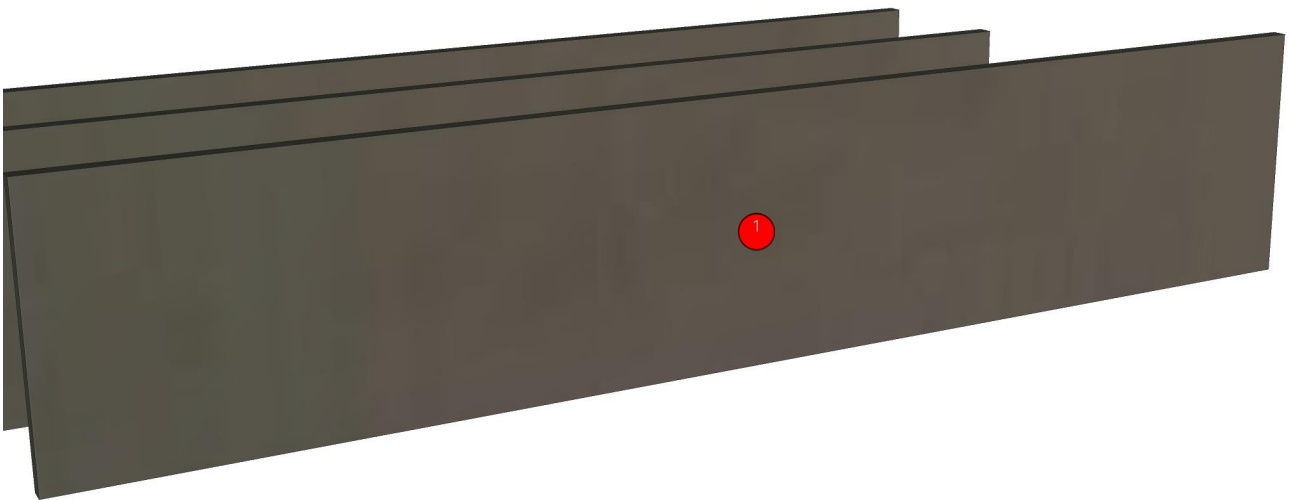
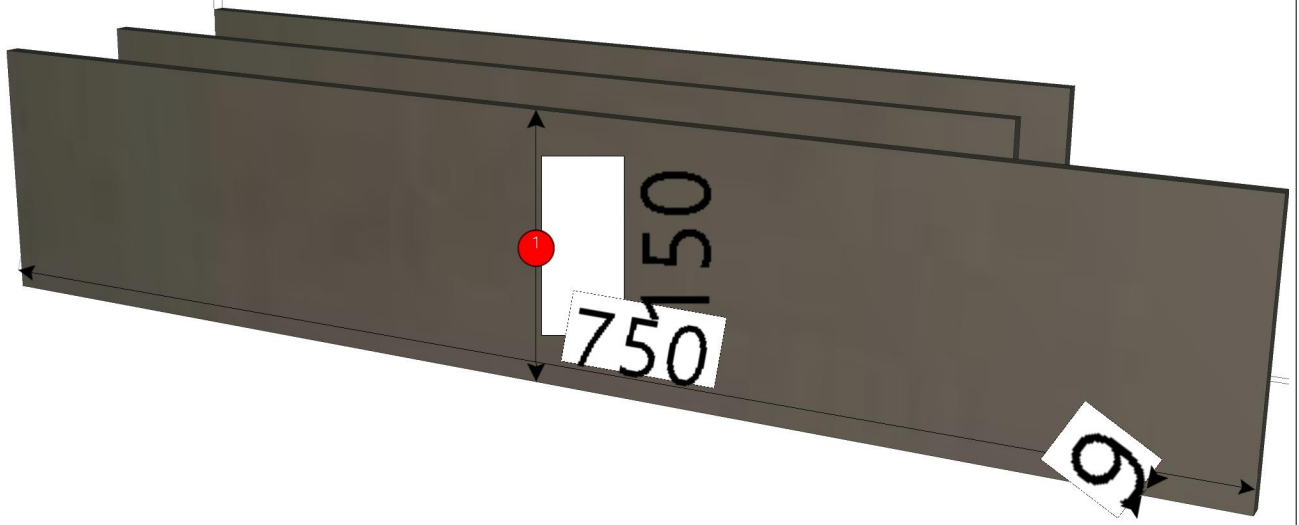
Edge

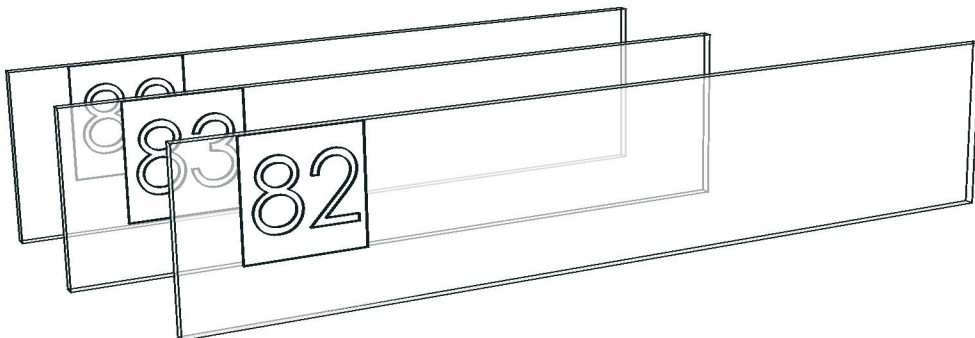
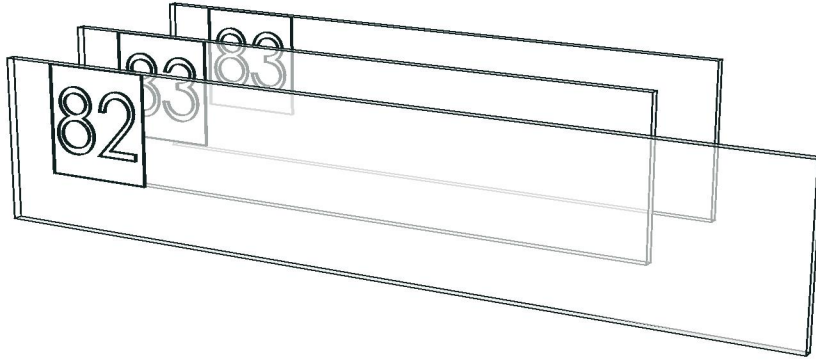
01.213=1MM R5

R&D REVIEW	
<input type="checkbox"/>	DWG.Customer
<input type="checkbox"/>	Work Report
<input type="checkbox"/>	Function
<input type="checkbox"/>	สินค้าตรงตัวอย่าง
ผู้ทบทวน _____	









Model	LIFE_SR_PLINT750		
Creator	YUTHAPONG	.BCP Name	INDEX_C3D_KITCHEN2
Reviewer		Order	F000585
Approves		Date	19/02/2021

No.	Article No.	Description	Mat	Dimension	Cutting Size	Typepology	Skin
0	LIFE_SR_PLINT750			750x150x9			
	LIFE_SR_PLINT750-0-82	PLINT	PB-SP	9x150x750	9X148X748;L2:W2	582000_STR=20.15_EDG=OR5-1	2
	LIFE_SR_PLINT750-0-83	PLINT	PB-SP	9x150x600	9X148X598;L2:W2	582001_STR=20.15_EDG=OR5-1	2
	LIFE_SR_PLINT750-0-83	PLINT	PB-SP	9x150x600	9X148X598;L2:W2	582002_STR=20.15_EDG=OR5-1	2

FITTING LIST

Qty per 1 set

No	New	Article fitting	List	Connect	Qty/Pcs				Cost / Qty	Sum Cost
					Spray	Ass	Pack	Sum		
0		LIFE_SR_PLINT750		750x150x9						
		4121000262	ยางรองกันน้ำสีใส (5เมตร/เส้น) (05-37-0400-0001)1				1	1		

No	Date	REVISION RECORD	REMARK	Create	YUTHAPONG	date:19/02/2021	Product name : -
4				Revivewer		date:	Article: TYPE:
3				Approves		date:	
2				Design			Customer: Indexlivingmall
1	19/02/2021	First departure		Name&Art			No:
INTERFURN INDEX INTERFURN CO.LTD Document control FR-RD-004 : REV#00:24/04/60							Page 3