

Model	RHYTHM_EK_D_PLINT_600(FG)		
Creator	YUTHAPONG	.BCP Name	INDEX_C3D_KITCHEN2
Reviewer		Order	F000697
Approves		Date	26/02/2021

RHYTHM_EK_D_PLINT_600(FG)-600X9X100

Colour

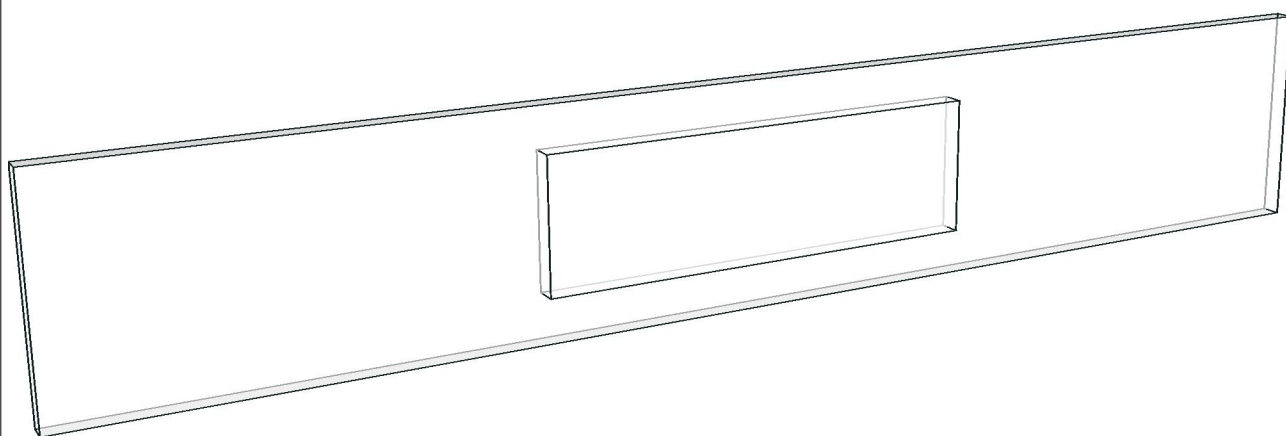
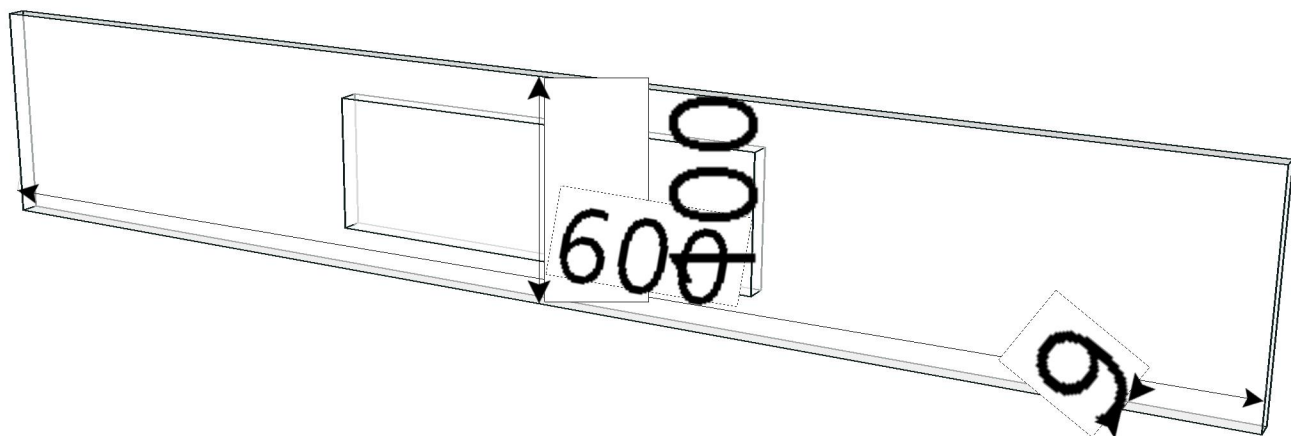
20.27=ML ML MD519 (EVELYN)

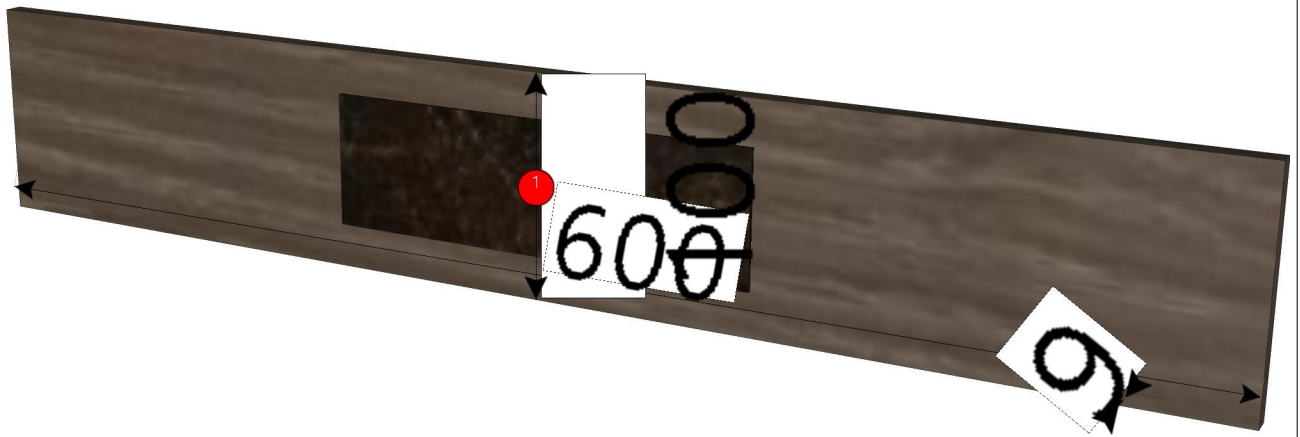
Edge

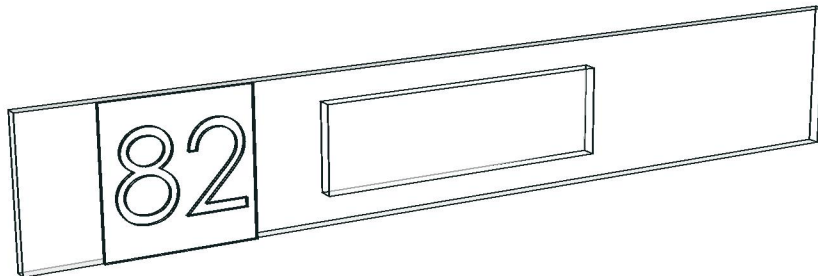
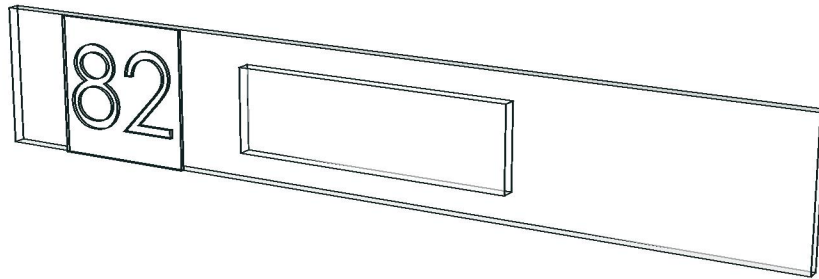
01.240=1MM MD519

R&D REVIEW	
<input type="checkbox"/>	DWG.Customer
<input type="checkbox"/>	Work Report
<input type="checkbox"/>	Function
<input type="checkbox"/>	สินค้าตรงตัวอย่าง
ผู้ทบทวน _____	









Model	RHYTHM_EK_D_PLINT_600(FG)		
Creator	YUTHAPONG	.BCP Name	INDEX_C3D_KITCHEN2
Reviewer		Order	F000697
Approves		Date	26/02/2021

No.	Article No.	Description	Mat	Dimension	Cutting Size	Typepology	Skin
0	RHYTHM_EK_D_PLINT_600(FG)			600x100x9			
	RHYTHM_EK_D_PLINT_600(FG)-0-B2	PLINT	PB-SP	9x100x600	9X99X598;L1:W2	582000 _STR=20.27 _EDG=MD519-1	2

FITTING LIST

Qty per 1 set

No	New	Article fitting	List	Connect	Qty/Pcs				Cost / Qty	Sum Cost
					Spray	Ass	Pack	Sum		
0		RHYTHM_EK_D_PLINT_600(FG)		600x100x9						
		4121500110	ช่องระบายอากาศสี่เหลี่ยม สีนํ้าตาล CIP-002-BR				1	1		

No	Date	REVISION RECORD	REMARK	Create	YUTHAPONG	date:26/02/2021	Product name : -
4				Revivewer		date:	Article: TYPE:
3				Approves		date:	
2				Design			Customer: Indexlivingmall
1	26/02/2021	First departure		Name&Art			No:
INTERFURN INDEX INTERFURN CO.LTD Document control FR-RD-004 : REV#00:24/04/60							Page 3