

Model	RHYTHM_EK_D_FOR_700(D720)		
Creator	YUTHAPONG	.BCP Name	INDEX_C3D_KITCHEN2
Reviewer		Order	F000664
Approves		Date	26/02/2021

RHYTHM_EK_D_FOR_700(D720)-700X720X16

Colour

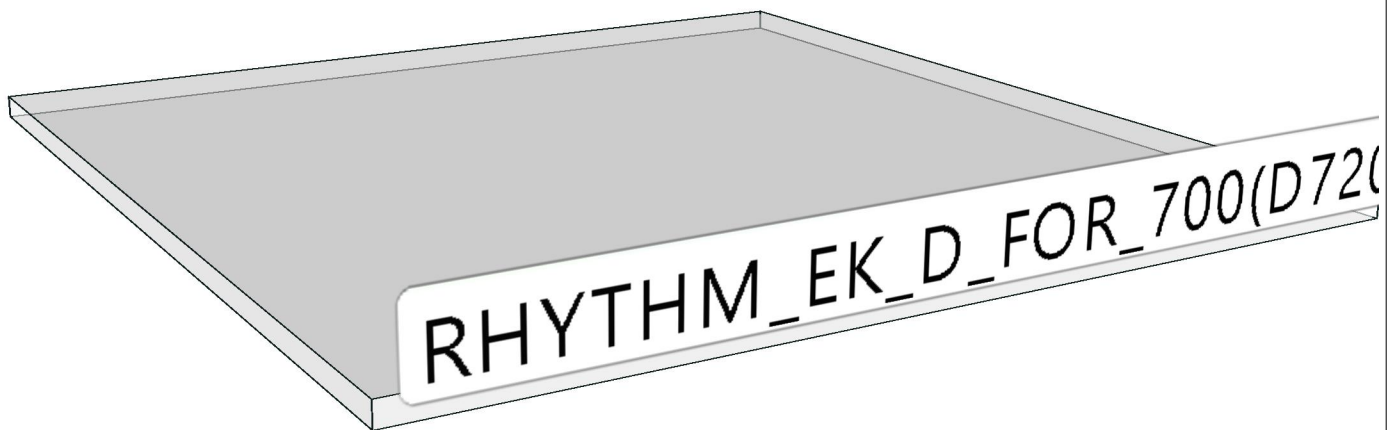
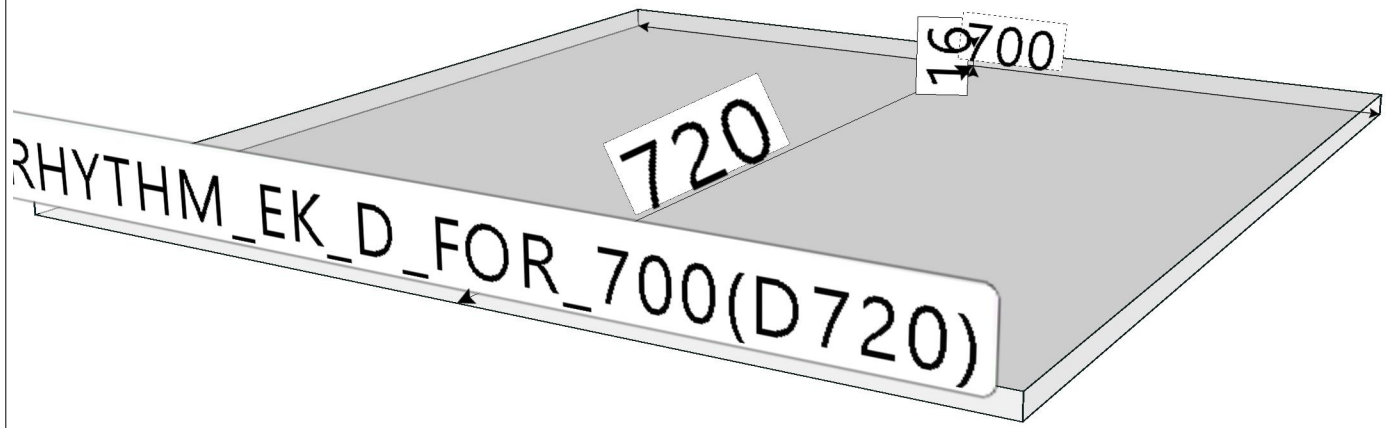
20.27=ML ML MD519 (EVELYN)

Edge

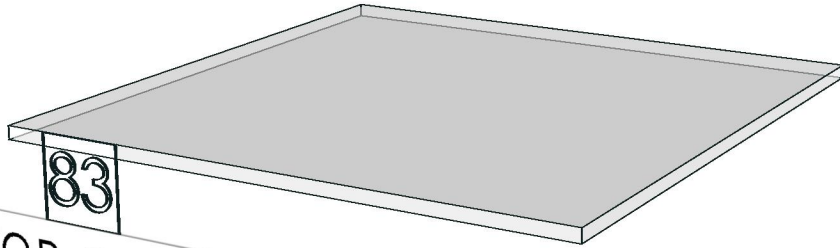
01.240=1MM MD519

R&D REVIEW	
<input type="checkbox"/>	DWG.Customer
<input type="checkbox"/>	Work Report
<input type="checkbox"/>	Function
<input type="checkbox"/>	สินค้าตรงตัวอย่าง
ผู้ทบทวน _____	

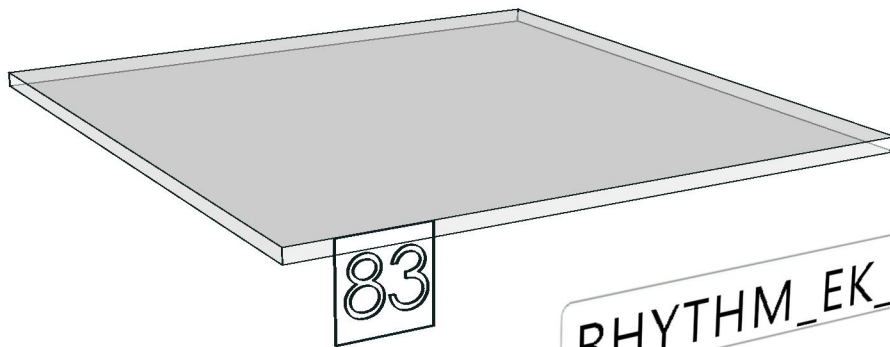








RHYTHM_EK_D_FOR_700(D720)



RHYTHM_EK_D_FOR_700(D:

Model	RHYTHM_EK_D_FOR_700(D720)		
Creator	YUTHAPONG	.BCP Name	INDEX_C3D_KITCHEN2
Reviewer		Order	F000664
Approves		Date	26/02/2021

No.	Article No.	Description	Mat	Dimension	Cutting Size	Typepology	Skin
0	RHYTHM_EK_D_FOR_700(D720)			700x16x720			
	RHYTHM_EK_D_FOR_700(D720)-083	D_FLOOR	PB-SP	16x720x700	16X718X698;L2:W2	583000 _STR=20.27 _EDG=MD519-1	2

FITTING LIST

Qty per 1 set

No	New	Article fitting	List	Connect	Qty/Pcs					Sum Cost
					Spray	Ass	Pack	Sum	Cost / Qty	
0		RHYTHM_EK_D_FOR_700(D720)		700x16x720						

No	Date	REVISION RECORD	REMARK	Create	YUTHAPONG	date:26/02/2021	Product name : -
4				Revivewer		date:	Article: TYPE:
3				Approves		date:	
2				Design			Customer: Indexlivingmall
1	26/02/2021	First departure		Name&Art			No:
INTERFURN INDEX INTERFURN CO.LTD Document control FR-RD-004 : REV#00:24/04/60							