

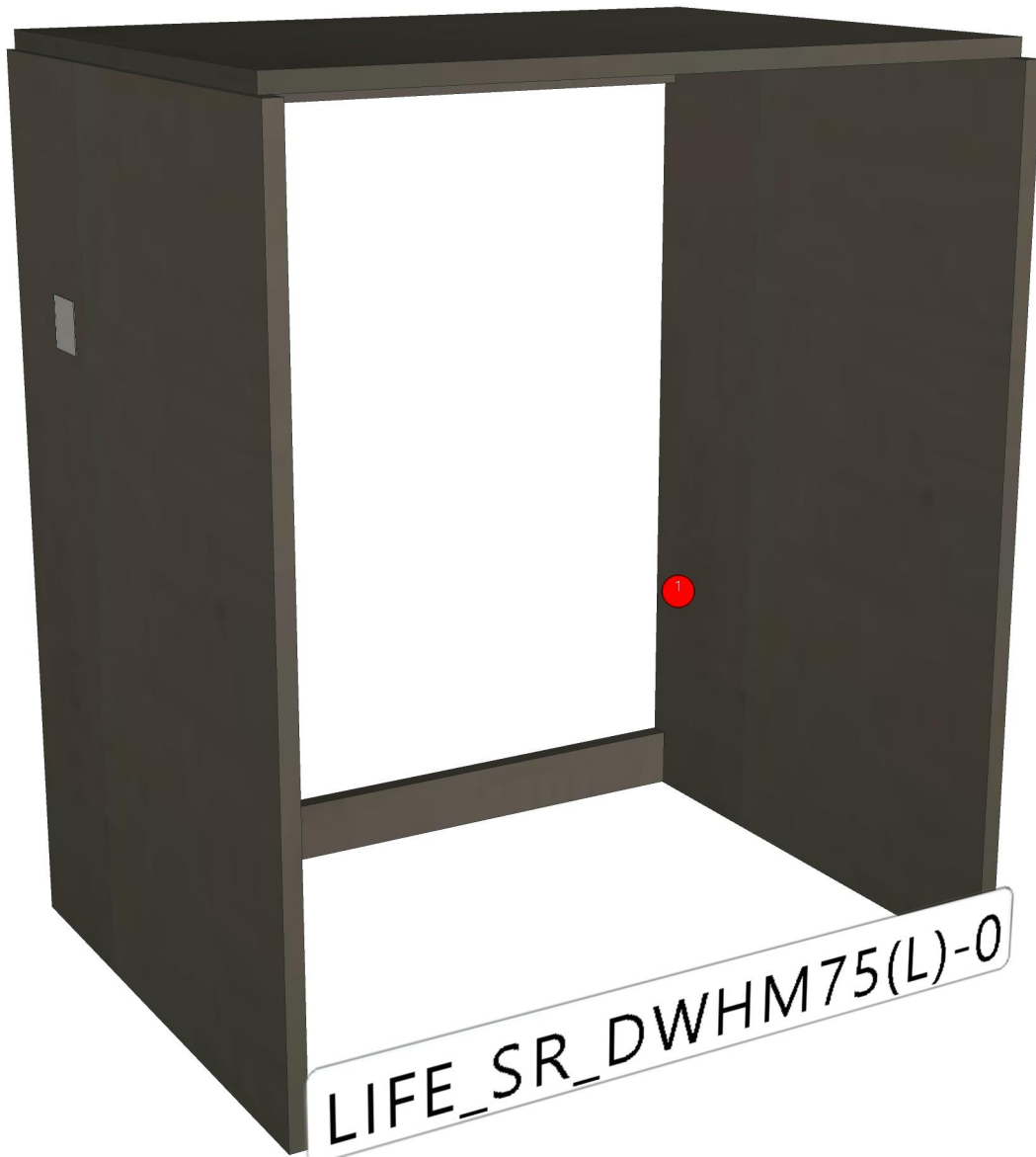
Model	LIFE_SR_DWHM75(L)		
Creator	YUTHAPONG	.BCP Name	INDEX_C3D_KITCHEN2
Reviewer		Order	F000558
Approves		Date	17/02/2021

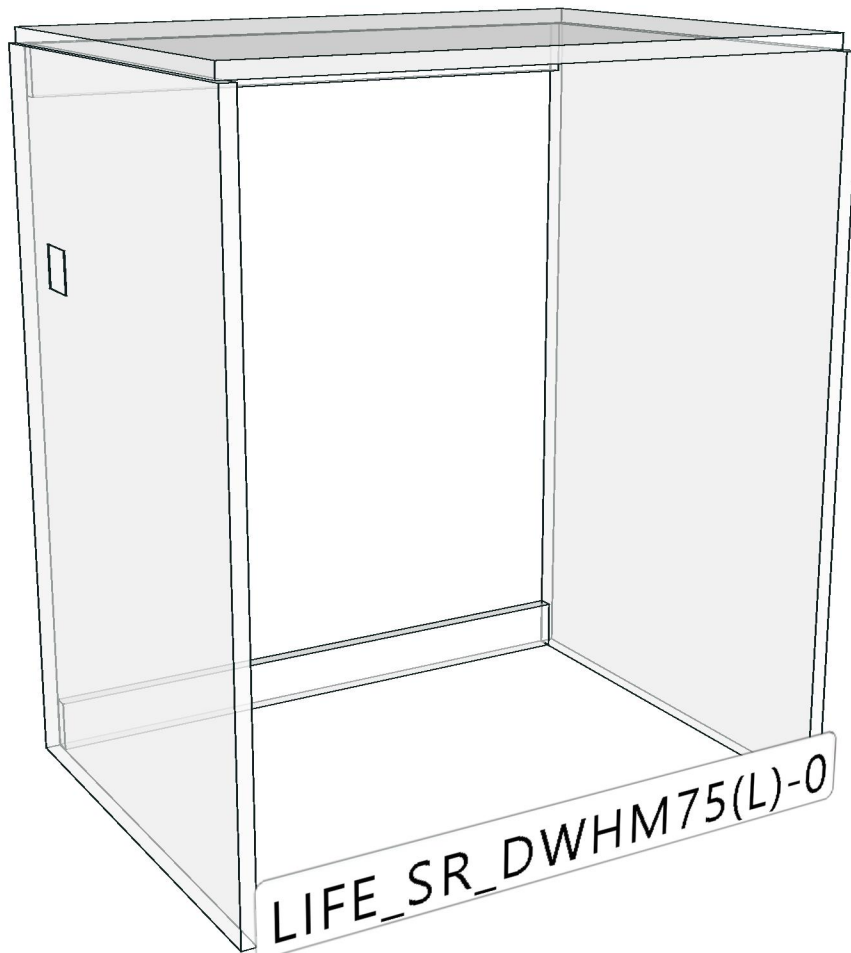
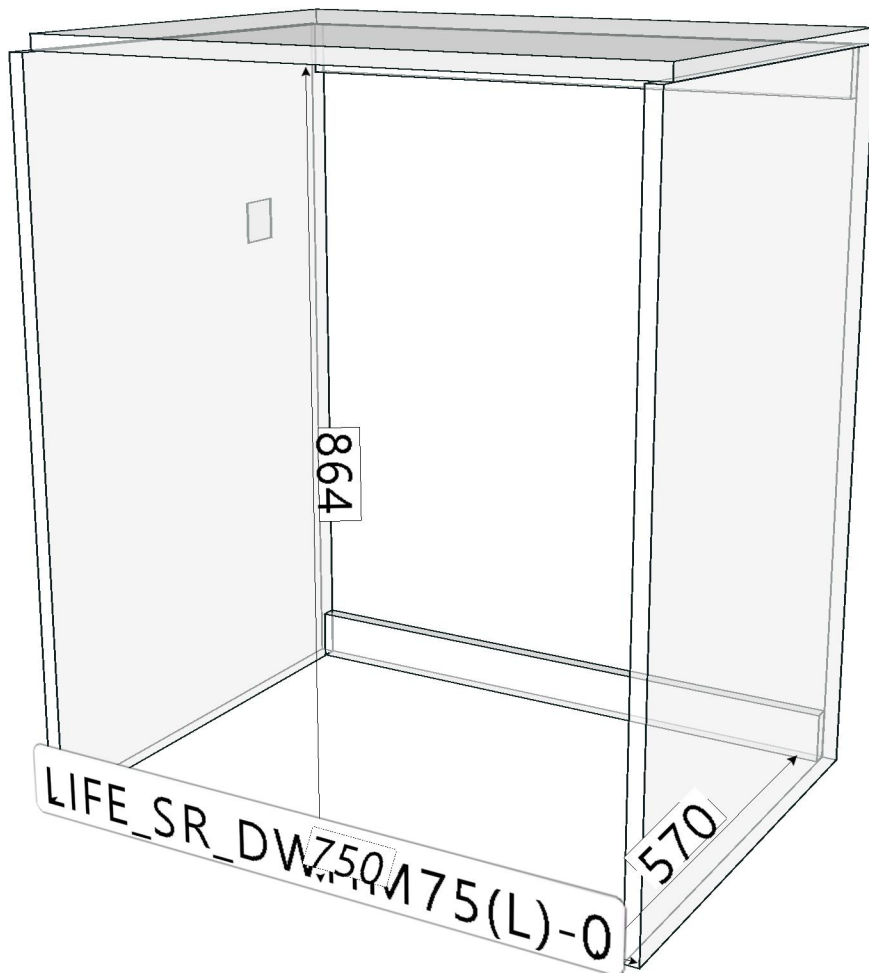
LIFE_SR_DWHM75(L)-750X570X864

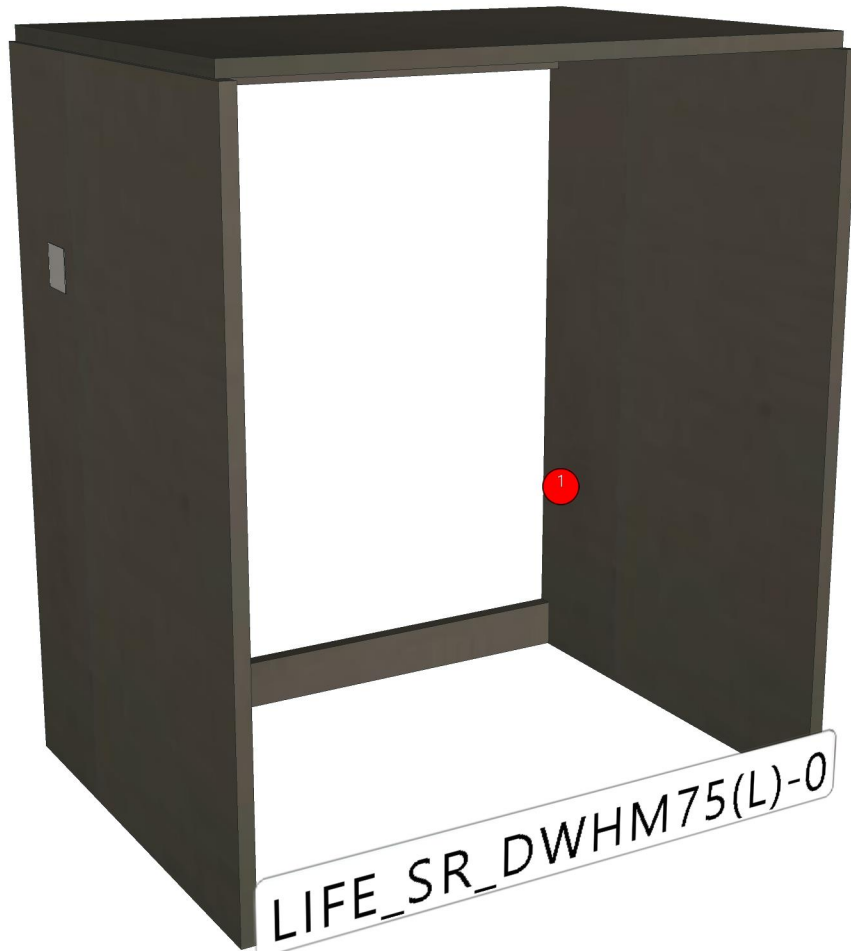
Colour
20.15=ML ML R5 (STRIPPLE MATT)

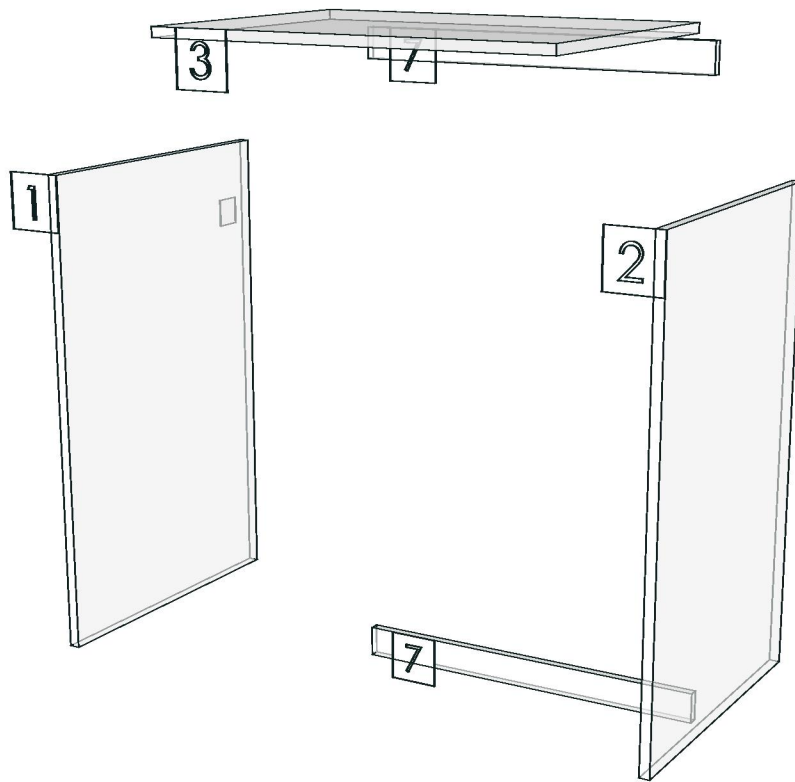
Edge
01.213=1MM R5

R&D REVIEW	
<input type="checkbox"/>	DWG.Customer
<input type="checkbox"/>	Work Report
<input type="checkbox"/>	Function
<input type="checkbox"/>	สินค้าตรงตัวอย่าง
ผู้ทบทวน _____	

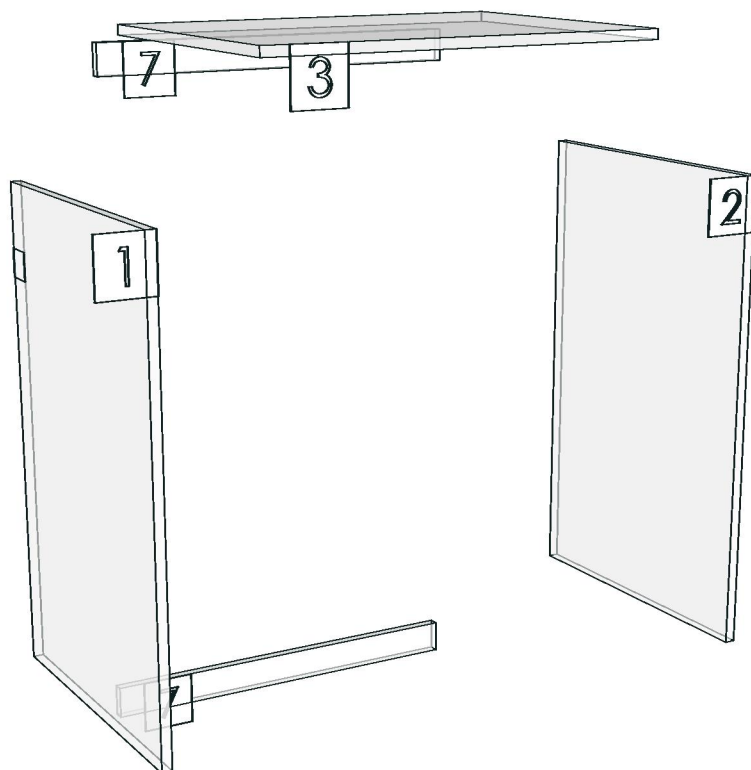








LIFE_SR_DWHM75(L)-0



LIFE_SR_DWHM75(L)-0

Model	LIFE_SR_DWHM75(L)		
Creator	YUTHAPONG	.BCP Name	INDEX_C3D_KITCHEN2
Reviewer		Order	F000558
Approves		Date	17/02/2021

No.	Article No.	Description	Mat	Dimension	Cutting Size	Typepology	Skin
0	LIFE_SR_DWHM75(L)			750x864x570			
	LIFE_SR_DWHM75(L)-0-01	LEFT PANEL	PB-ST	18x570x859	18X568X857;L2:W2	501000_STR=20.15_EDG=R5-1	2
	LIFE_SR_DWHM75(L)-0-02	RIGHT PANEL	PB-ST	18x570x859	18X568X857;L2:W2	502000_STR=20.15_EDG=R5-1	2
	LIFE_SR_DWHM75(L)-0-03	DOUBLE TOP	PB-ST	18x545x740	18X543X740;L2:W0	503000_STR=20.15_EDG=R5-1	2
	LIFE_SR_DWHM75(L)-0-07	BEAM BACK	PB-ST	18x60x714	18X58X714;L2:W0	507000_STR=20.15_EDG=R5-1	2
	LIFE_SR_DWHM75(L)-0-07	BEAM BACK	PB-ST	18x60x714	18X58X714;L2:W0	507001_STR=20.15_EDG=R5-1	2

FITTING LIST

Qty per 1 set

No	New	Article fitting	List	Connect	Qty/Pcs				Cost / Qty	Sum Cost
					Spray	Ass	Pack	Sum		
0		LIFE_SR_DWHM75(L)		750x864x570						
		4120800652	ECONOMIC PLASTIC WEDGE CLICK FIT # 104-03-03 สี BL				4	4		
		4130100118	สกรู C/B เกลียวตลอด F+M4x16 ซิงค์ขาว #0747				8	8		
		4130100121	สกรู C/B เกลียวตลอด F+M4x30 ซิงค์ขาว #0747				6	6		
		4130800004	Bolts steel yellow galv 262.27.615 24/5 mm.HAFELE				4	4		
		4130800022	Casing Minifix 19 mm.nickle plated 262.26.535 HAFE				4	4		
		4131000017	เดือยไม้พารา 0 8x35mm.ไมท์ฮาสิ				4	4		

No	Date	REVISION RECORD	REMARK	Create	YUTHAPONG	date:17/02/2021	Product name : -
4				Revivewer		date:	Article: TYPE:
3				Approves		date:	
2				Design			Customer: Indexlivingmall
1	17/02/2021	First departure		Name&Art			No:
INTERFURN INDEX INTERFURN CO.LTD Document control FR-RD-004 : REV#00:24/04/60							Page 3