

|                 |                          |                  |                    |
|-----------------|--------------------------|------------------|--------------------|
| <b>Model</b>    | RHYTHM_EK_DBC96.8_30 LLD |                  |                    |
| <b>Creator</b>  | YUTHAPONG                | <b>.BCP Name</b> | INDEX_C3D_KITCHEN2 |
| <b>Reviewer</b> |                          | <b>Order</b>     | F001012            |
| <b>Approves</b> |                          | <b>Date</b>      | 29/04/2021         |

## **RHYTHM\_EK\_DBC96.8\_30|LLD-968X450X860**

**Colour**

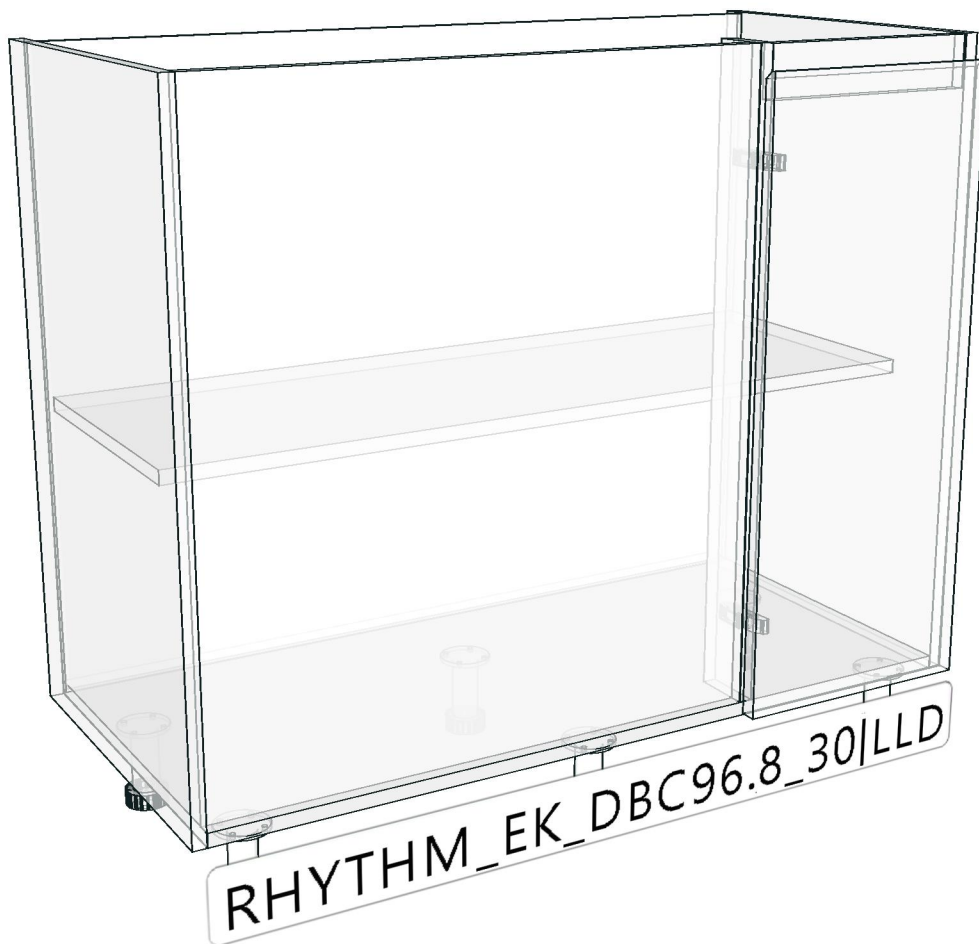
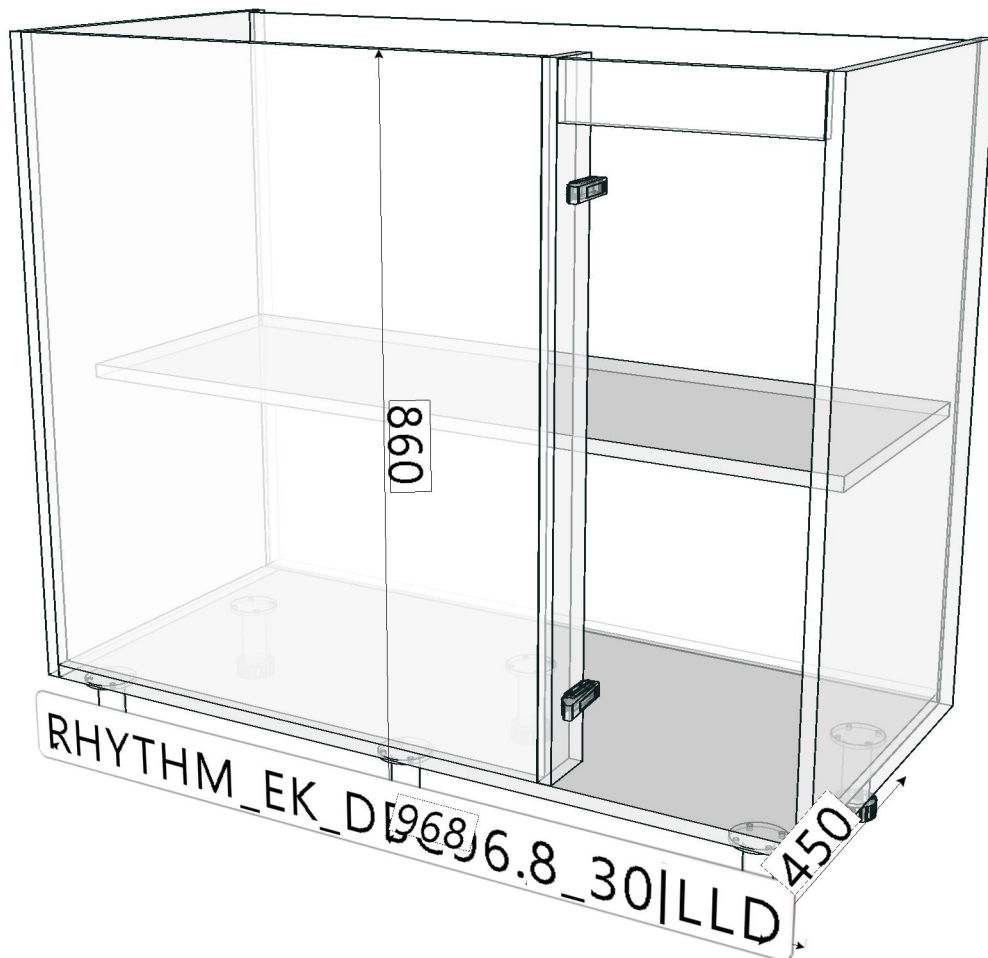
20.27=ML ML MD519 (EVELYN)  
20.07=ML AE9V (MATT)

**Edge**

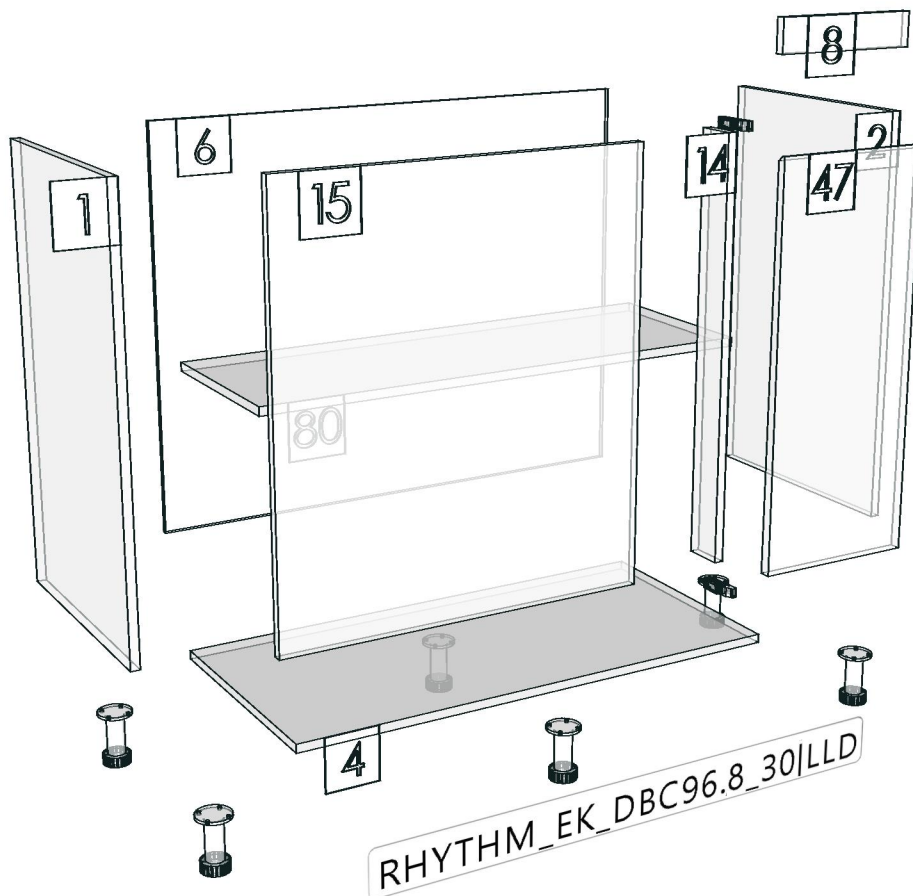
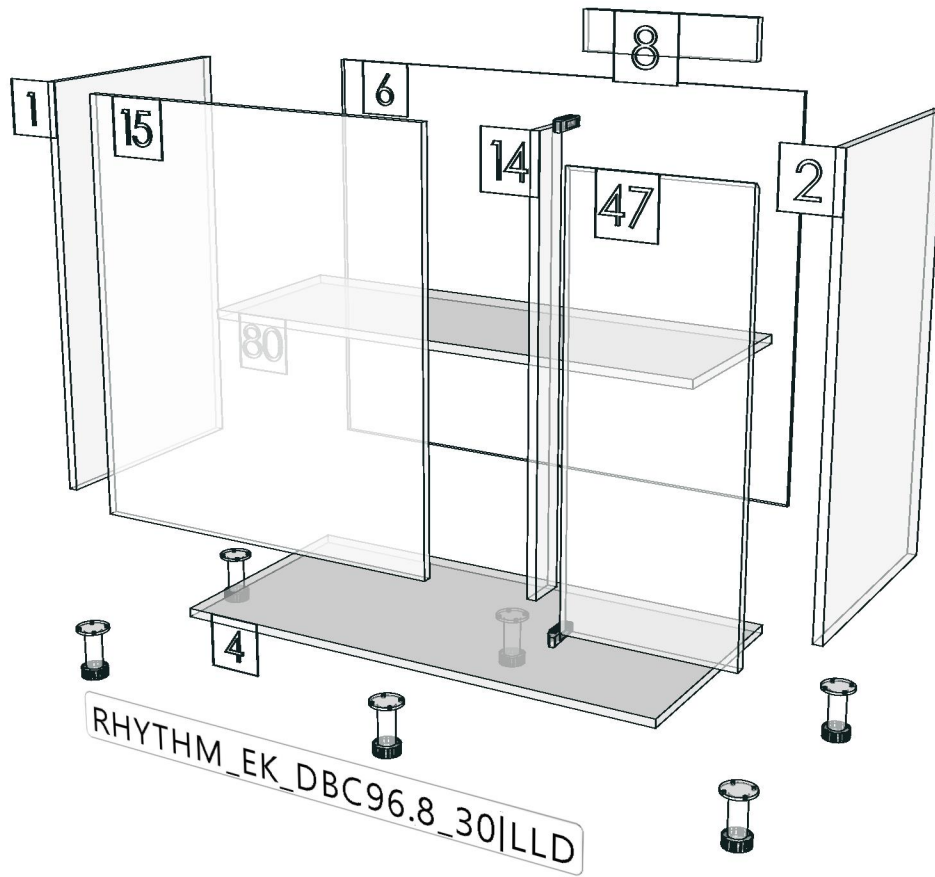
01.240=1MM MD519  
01.47=1MM WHITE

|                          |                   |
|--------------------------|-------------------|
| <b>R&amp;D REVIEW</b>    |                   |
| <input type="checkbox"/> | DWG.Customer      |
| <input type="checkbox"/> | Work Report       |
| <input type="checkbox"/> | Function          |
| <input type="checkbox"/> | สินค้าตรงตัวอย่าง |
| ผู้ทบทวน _____           |                   |
| _____                    |                   |









|                 |                          |                  |                    |
|-----------------|--------------------------|------------------|--------------------|
| <b>Model</b>    | RHYTHM_EK_DBC96.8_30 LLD |                  |                    |
| <b>Creator</b>  | YUTHAPONG                | <b>.BCP Name</b> | INDEX_C3D_KITCHEN2 |
| <b>Reviewer</b> |                          | <b>Order</b>     | F001012            |
| <b>Approves</b> |                          | <b>Date</b>      | 29/04/2021         |

| No. | Article No.                   | Description            | Mat   | Dimension   | Cutting Size        | Typepology                     | Skin |
|-----|-------------------------------|------------------------|-------|-------------|---------------------|--------------------------------|------|
| 0   | RHYTHM_EK_DBC96.8_30 LLD      |                        |       | 968x860x450 |                     |                                |      |
|     | RHYTHM_EK_DBC96.8_30 LLD-0-01 | LEFT PANEL             | PB-SP | 16x450x760  | 16X448X758;L2:W2    | 501000 _STR=20.27 _EDG=MD519-1 | 2    |
|     | RHYTHM_EK_DBC96.8_30 LLD-0-02 | RIGHT PANEL            | PB-SP | 16x450x760  | 16X448X758;L2:W2    | 502000 _STR=20.27 _EDG=MD519-1 | 2    |
|     | RHYTHM_EK_DBC96.8_30 LLD-0-04 | BOTTOM PANEL           | PB-SP | 16x450x935  | 16X448X935;L2:W0    | 504000 _STR=20.27 _EDG=MD519-1 | 2    |
|     | RHYTHM_EK_DBC96.8_30 LLD-0-06 | REAR PANEL HOL         | PB-SP | 9x945x746.5 | 9X945X746.5;NO EDGE | 506000 _STR=20.07 _EDG=-       | 2    |
|     | RHYTHM_EK_DBC96.8_30 LLD-0-08 | BEAM FRONT VER         | PB-SP | 16x60x267   | 16X58X267;L2:W0     | 509000 _STR=20.27 _EDG=MD519-1 | 2    |
|     | RHYTHM_EK_DBC96.8_30 LLD-0-14 | BEAM MID CONNER        | PB-SP | 16x70x744   | 16X68X742;L2:W2     | 514000 _STR=20.27 _EDG=MD519-1 | 2    |
|     | RHYTHM_EK_DBC96.8_30 LLD-0-15 | FRONT PANEL CONNER     | PB-SP | 16x651x744  | 16X651X743;L0:W1    | 515000 _STR=20.27 _EDG=MD519-1 | 2    |
|     | RHYTHM_EK_DBC96.8_30 LLD-0-47 | DOOR ALP BASE 1*SF(W1) | PB-ST | 19x297x730  | 19X295X728;L2:W2    | 547000 _STR=20.27 _EDG=MD519-1 | 2    |
|     | RHYTHM_EK_DBC96.8_30 LLD-0-80 | ADJ SHELF              | PB-SP | 16x330x934  | 16X328X932;L2:W2    | 580000 _STR=20.07 _EDG=WHITE-1 | 2    |

# FITTING LIST

Qty per 1 set

| No | New | Article fitting          | List  | Connect     | Qty/Pcs |     |      |     | Cost / Qty | Sum Cost |
|----|-----|--------------------------|---|-------------|---------|-----|------|-----|------------|----------|
|    |     |                          |   |             | Spray   | Ass | Pack | Sum |            |          |
| 0  |     | RHYTHM_EK_DBC96.8_30 LLD |   | 968x860x450 |         |     |      |     |            |          |
|    |     | 412020092                | ปุ่มยางกันกระแทก สีใส                                 |             |         |     | 4    | 4   |            |          |
|    |     | 4120200479               | ปุ่มรับชั้น DIA.3mm.Trend Shelf Support # 103-02-     |             |         |     | 4    | 4   |            |          |
|    |     | 4120300314               | บานพับหับขอบ+ปีกผีเสื้อ Fixed Soft Close hinge #      |             |         |     | 2    | 2   |            |          |
|    |     | 4120900254               | ฝาปิดหัวสกรู(เดือยแฉก) สีน้ำตาลเข้ม #00905 (Walnu     |             |         |     | 4    | 4   |            |          |
|    |     | 4121100027               | ฉากพลาสติกใหญ่ สีขาว #00905                           |             |         |     | 8    | 8   |            |          |
|    |     | 4121800154               | คลิปล็อคพลาสติกสีดำ CS0624 ใช้กับขาไม้(SUP.แถมฟรี)    |             |         |     | 6    | 6   |            |          |
|    |     | 4121800156               | ขาปรับระดับตู้ สูง 100 มม. CS-06202-10 ใช้ขาไม้+ขาอลู |             |         |     | 6    | 6   |            |          |
|    |     | 4130100064               | สกรูเกลียวปหล่อ F+6x3/8" นิกเกิล #0912                |             |         |     | 6    | 6   |            |          |
|    |     | 4130100117               | สกรู C/B เกลียวตลอด F+M4x13 ซิงค์ขาว #0747            |             |         |     | 12   | 12  |            |          |
|    |     | 4130100118               | สกรู C/B เกลียวตลอด F+M4x16 ซิงค์ขาว #0747            |             |         |     | 28   | 28  |            |          |
|    |     | 4130100118               | สกรู C/B เกลียวตลอด F+M4x16 ซิงค์ขาว #0747            |             |         |     | 44   | 44  |            |          |
|    |     | 4130100120               | สกรู C/B เกลียวตลอด F+M4x25 ซิงค์ขาว #0747            |             |         |     | 4    | 4   |            |          |
|    |     | 4130100124               | สกรู C/B เกลียวตลอด F+M4x40 ซิงค์ขาว #0747            |             |         |     | 4    | 4   |            |          |
|    |     | 4130800004               | Bolts steel yellow galv 262.27.615 24/5 mm.HAFELE     |             |         |     | 6    | 6   |            |          |
|    |     | 4130800012               | Casing Minifix 16 mm.nickle plated 262.26.533 HAFELE  |             |         |     | 6    | 6   |            |          |
|    |     | 4131000017               | เดือยไม้พารา 0 8x35mm.ไม้ทำสี                         |             |         |     | 6    | 6   |            |          |

| No | Date       | REVISION RECORD | REMARK | Create    | YUTHAPONG | date:29/04/2021 | Product name : -          |
|----|------------|-----------------|--------|-----------|-----------|-----------------|---------------------------|
| 4  |            |                 |        | Revivewer |           | date:           | Article: TYPE:            |
| 3  |            |                 |        | Approves  |           | date:           |                           |
| 2  |            |                 |        | Design    |           |                 | Customer: Indexlivingmall |
| 1  | 29/04/2021 | First departure |        | Name&Art  |           |                 | No:                       |