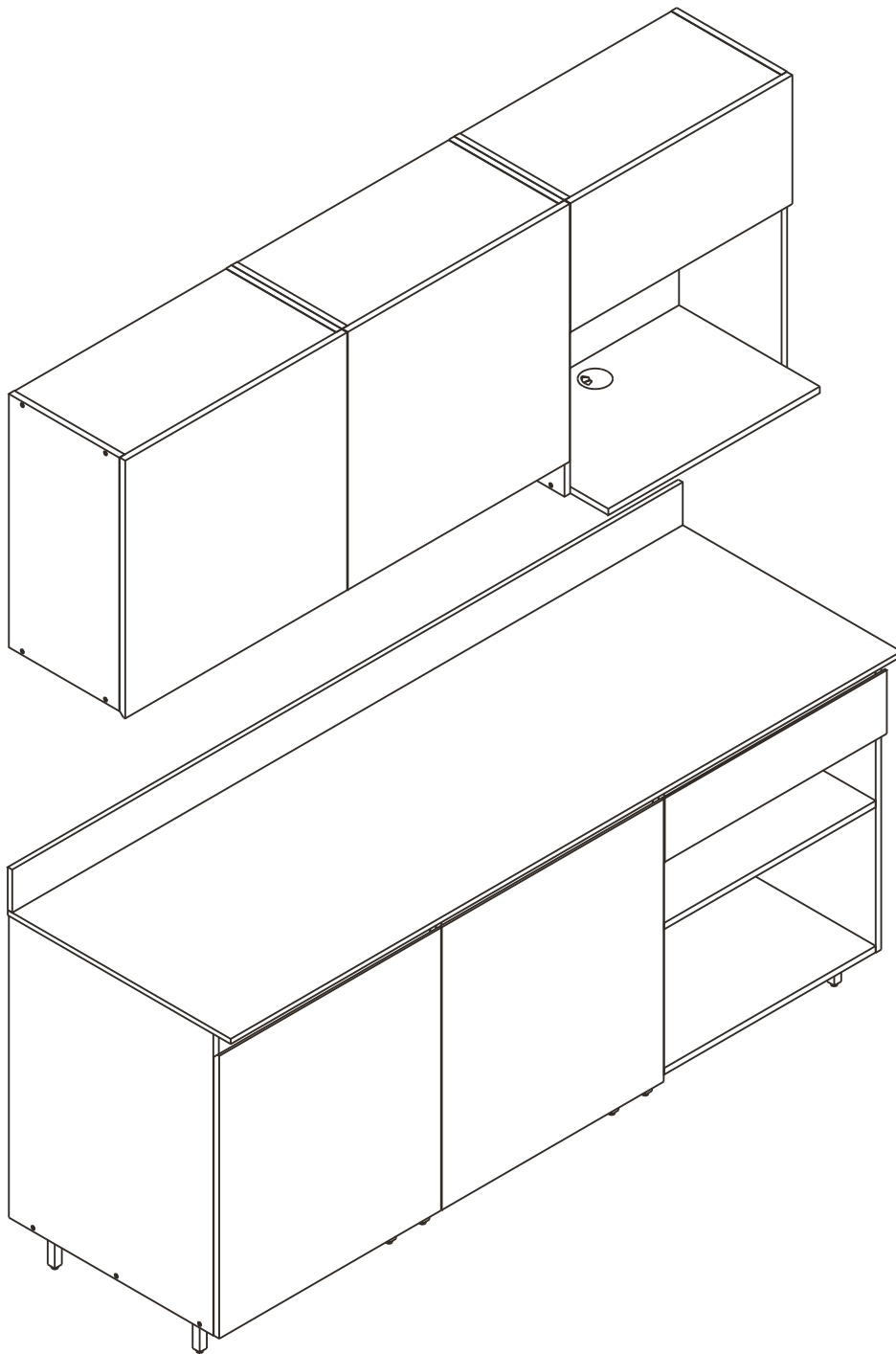


CHAMP M01-B

Kitchen 1.8M



CONNECT SYSTEM

1

2

(Connecting bolts)

3

WHEN FITTING CAMS
 ENSURE STARTING POSITION IS CORRECT
 BEFORE YOU INSERT CONNECTING BOLT
 TURN CLOCKWISE UNTIL SECURE

 ↑ CORRECT	 WRONG	 WRONG	 WRONG
--------------------------------	------------------	------------------	------------------

M4x16mm.

DOOR PANEL

M3.5x13mm.

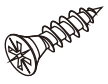
28mm.

1

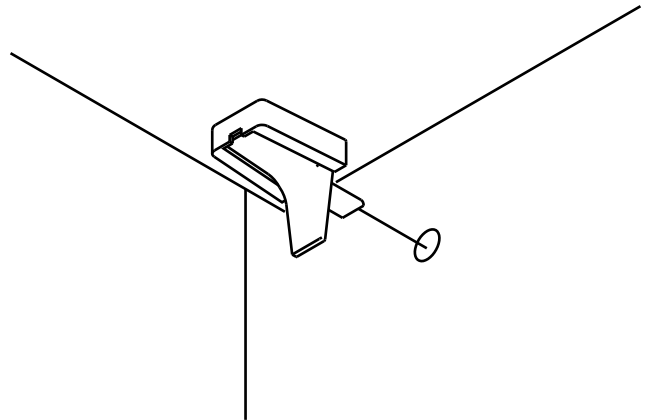
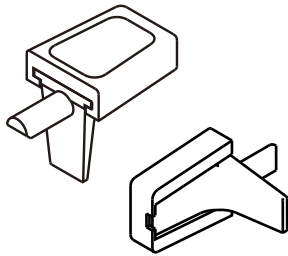
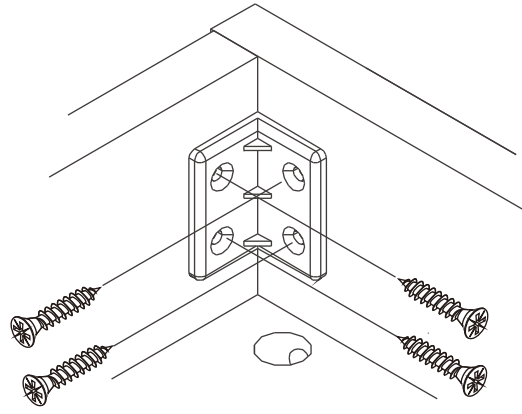
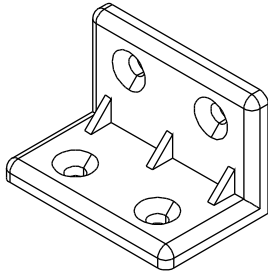
Use these holes

2

Use these holes

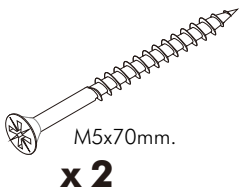
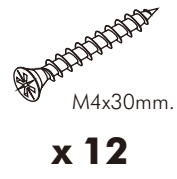
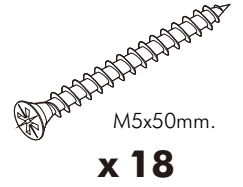
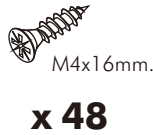
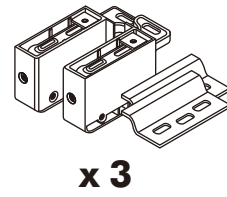
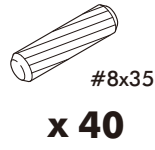
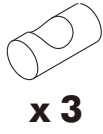
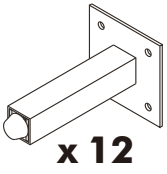


M4x16mm.

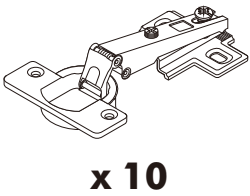


HARDWARE

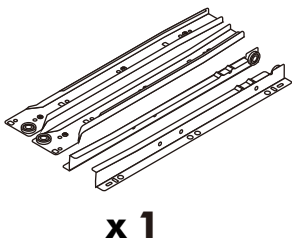
-BODY SET



-DOOR SET



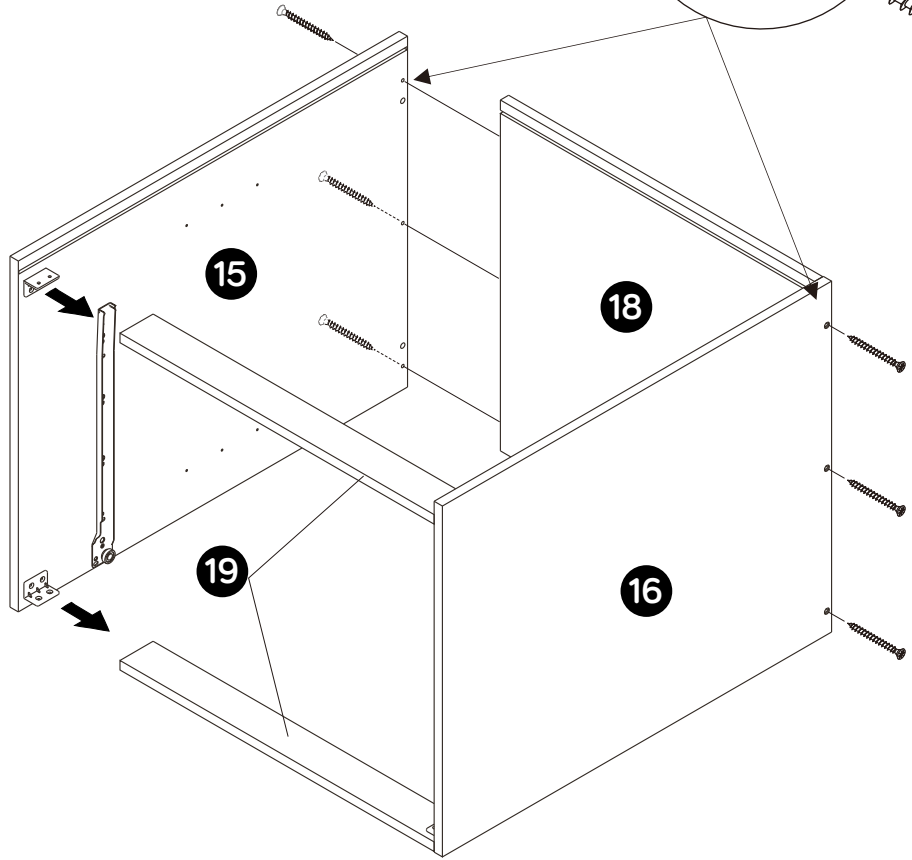
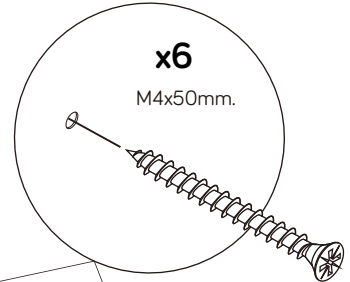
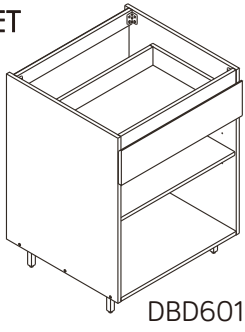
-DRAWER SET



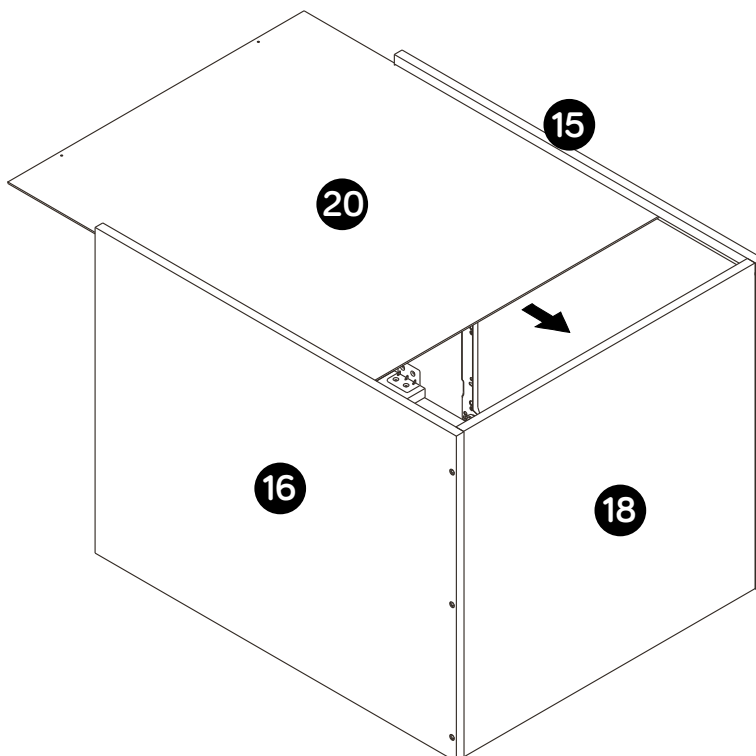
ASSEMBLY

-BODY SET

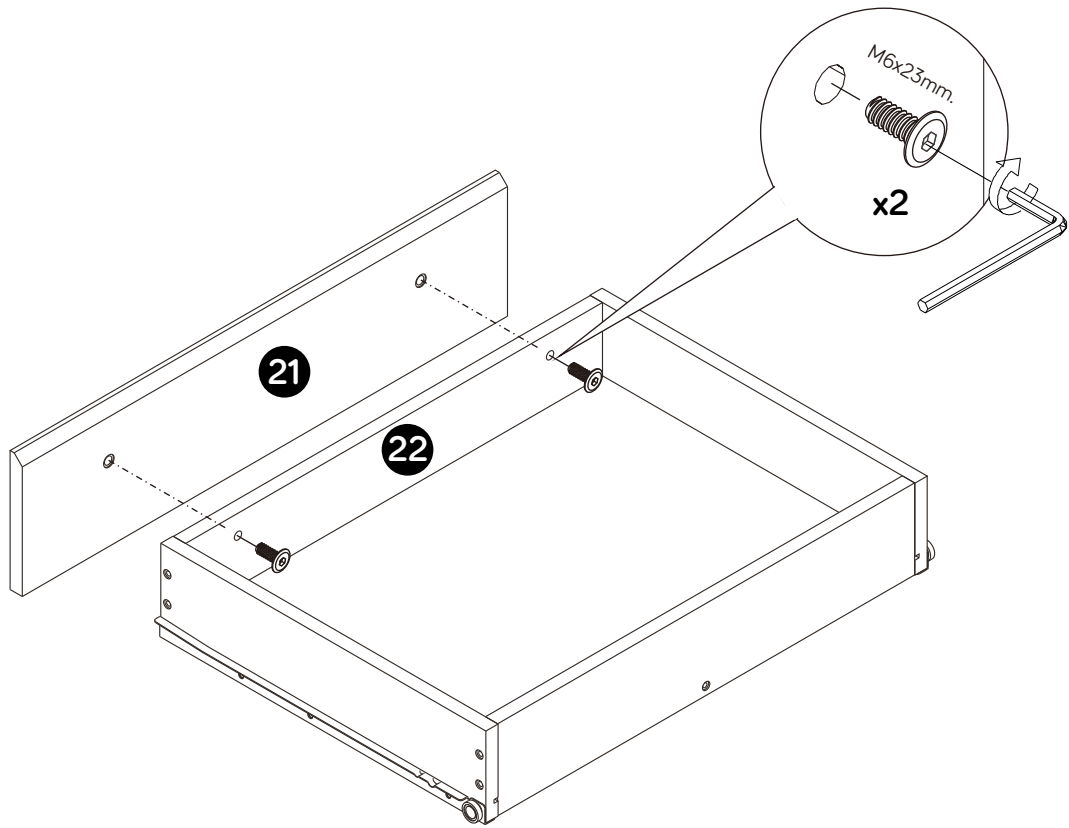
1.



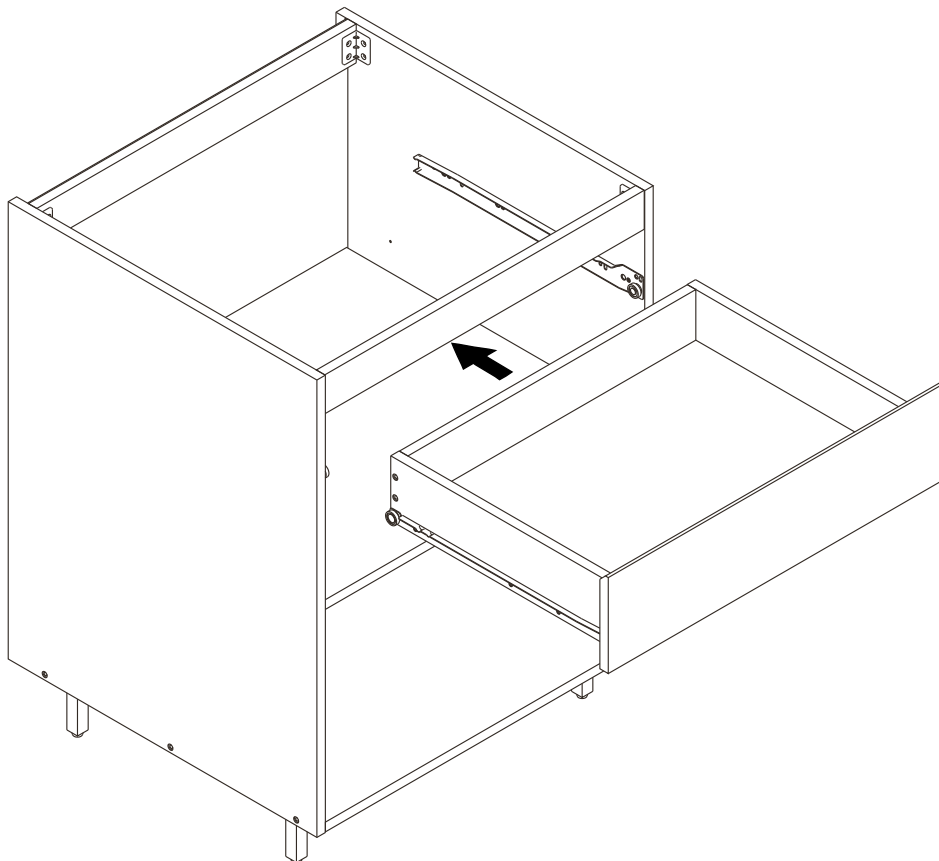
2.



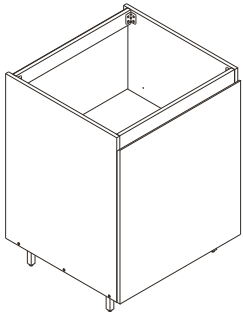
5.



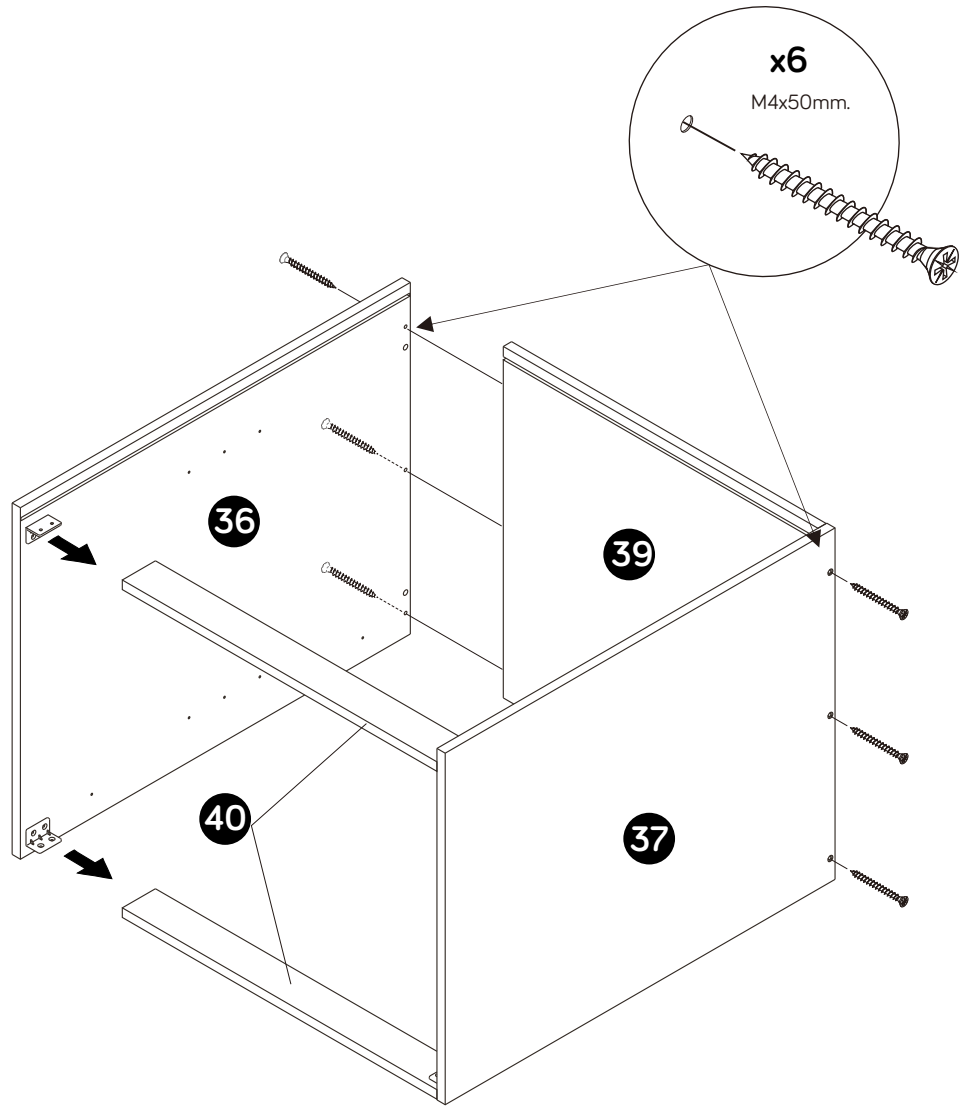
6.



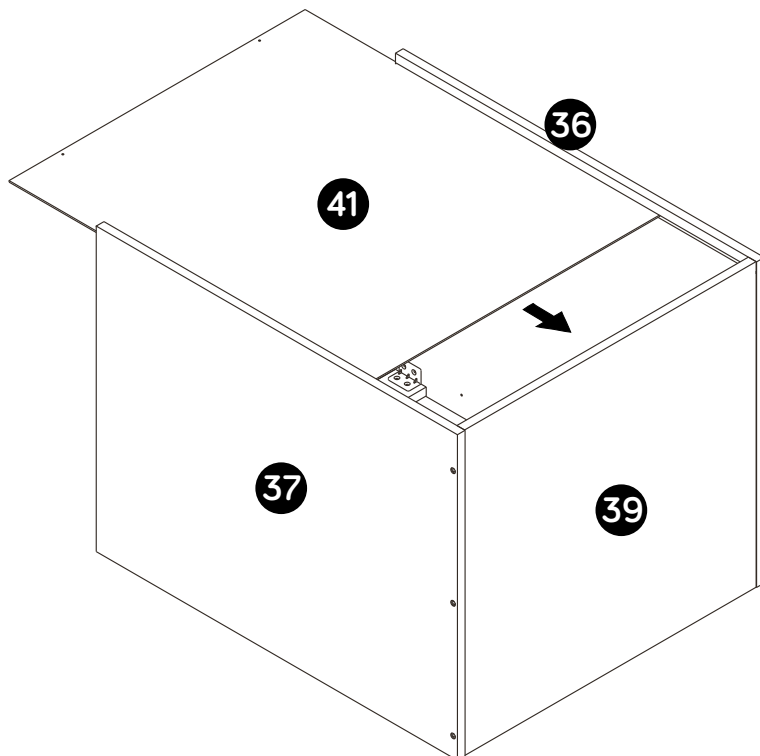
7.



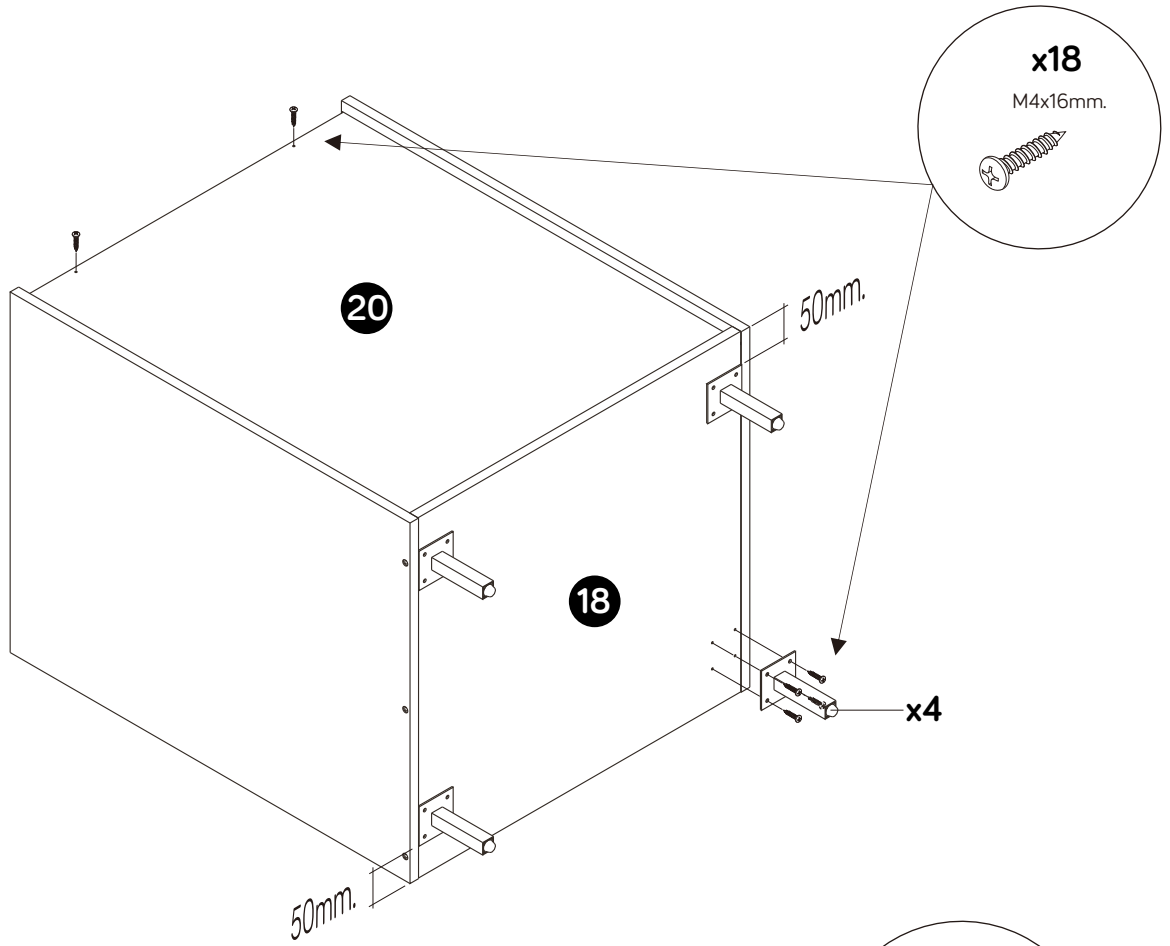
DB60R



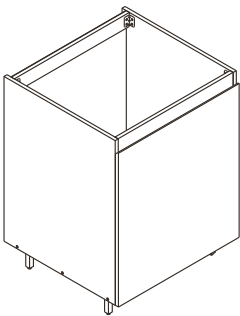
8.



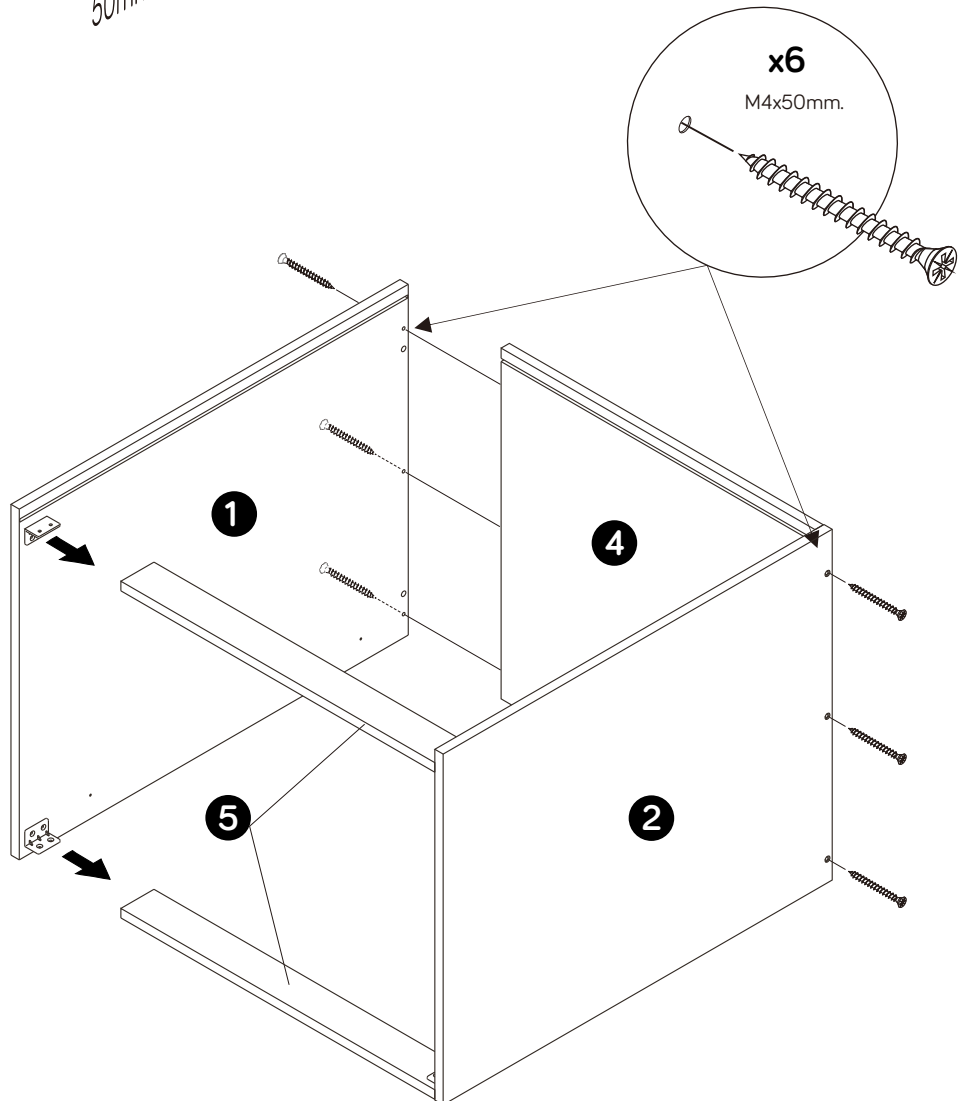
9.



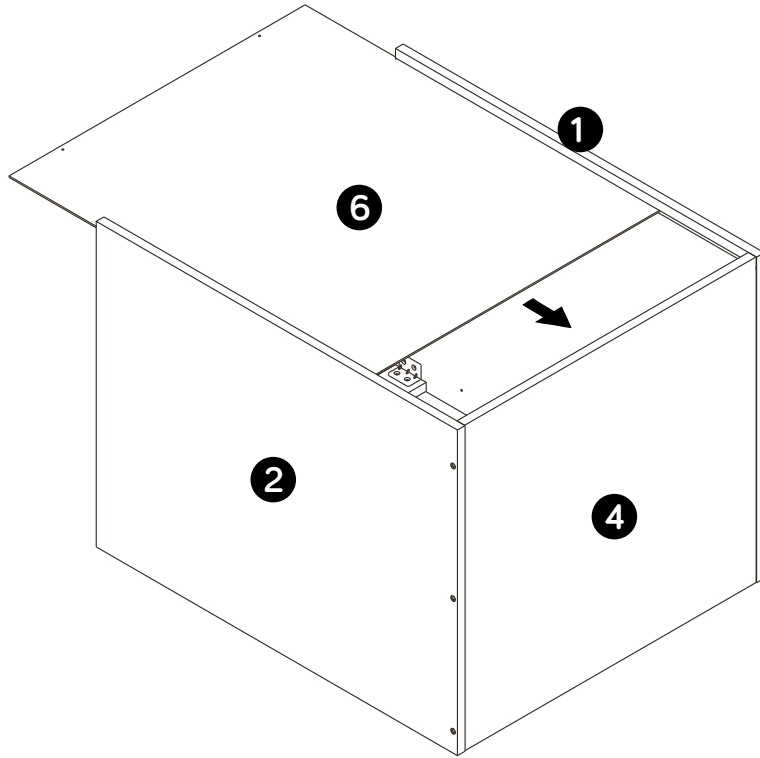
10.



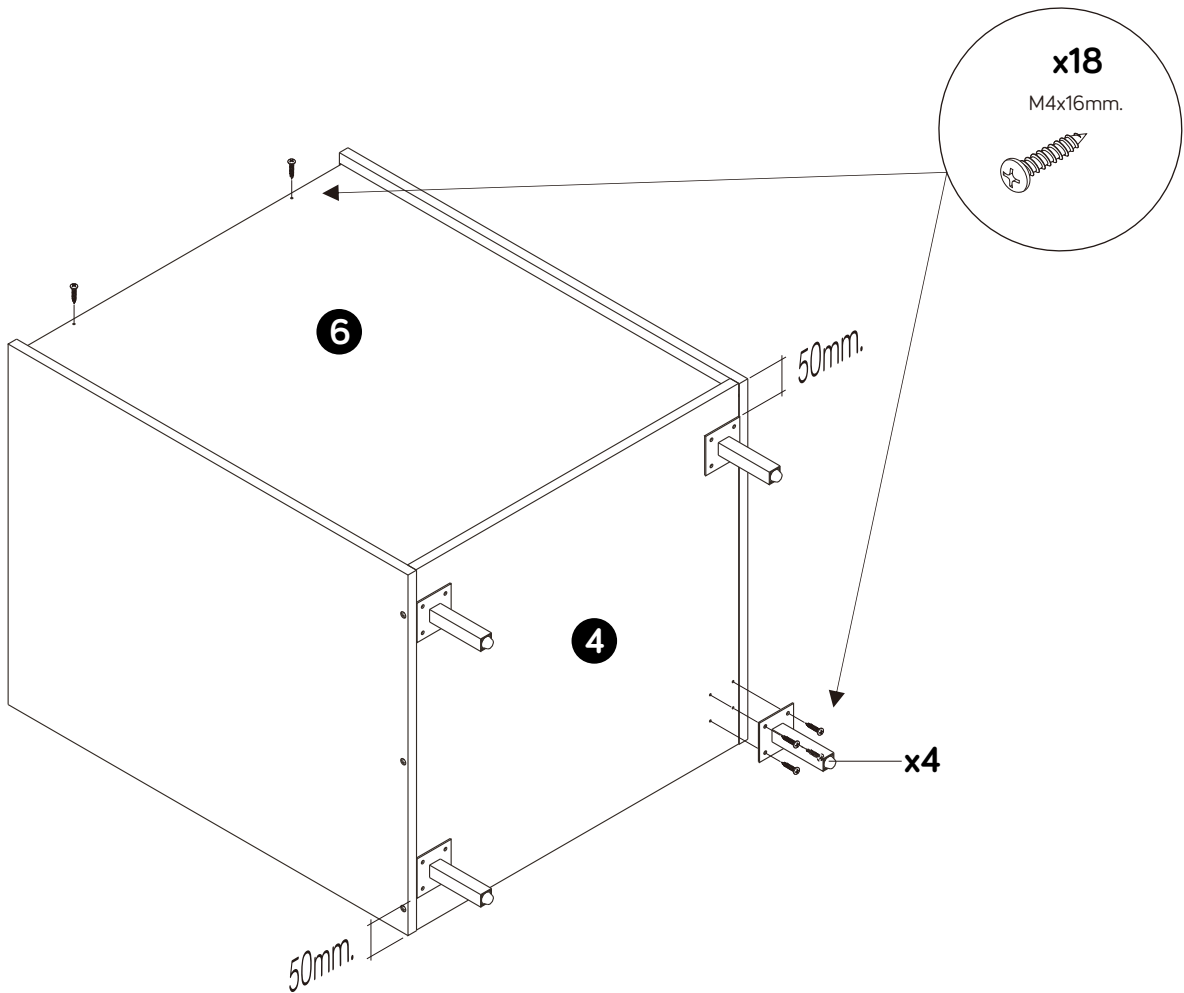
DBS60L



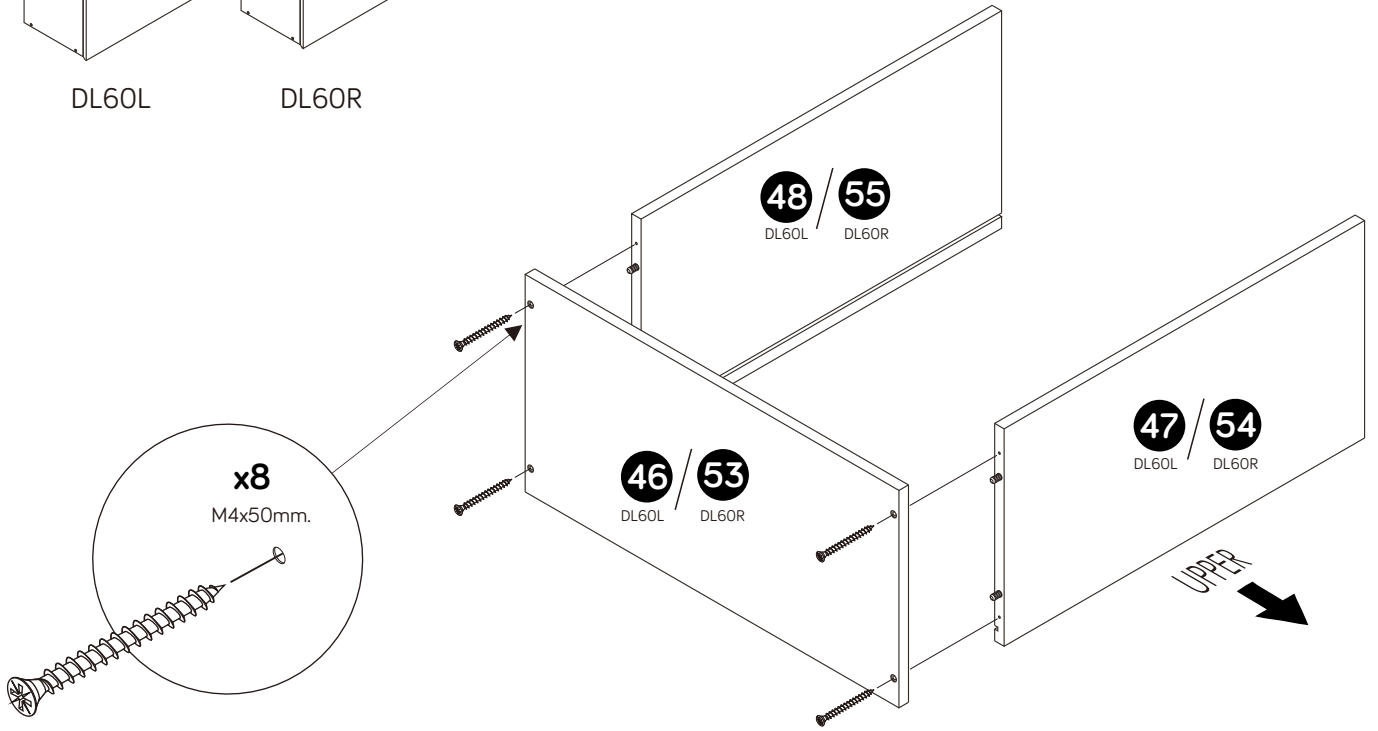
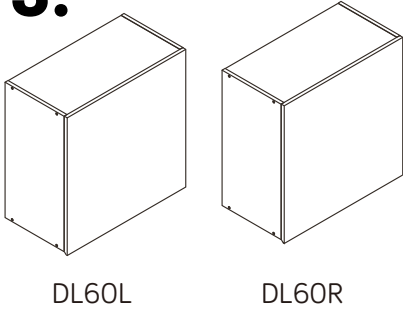
11.



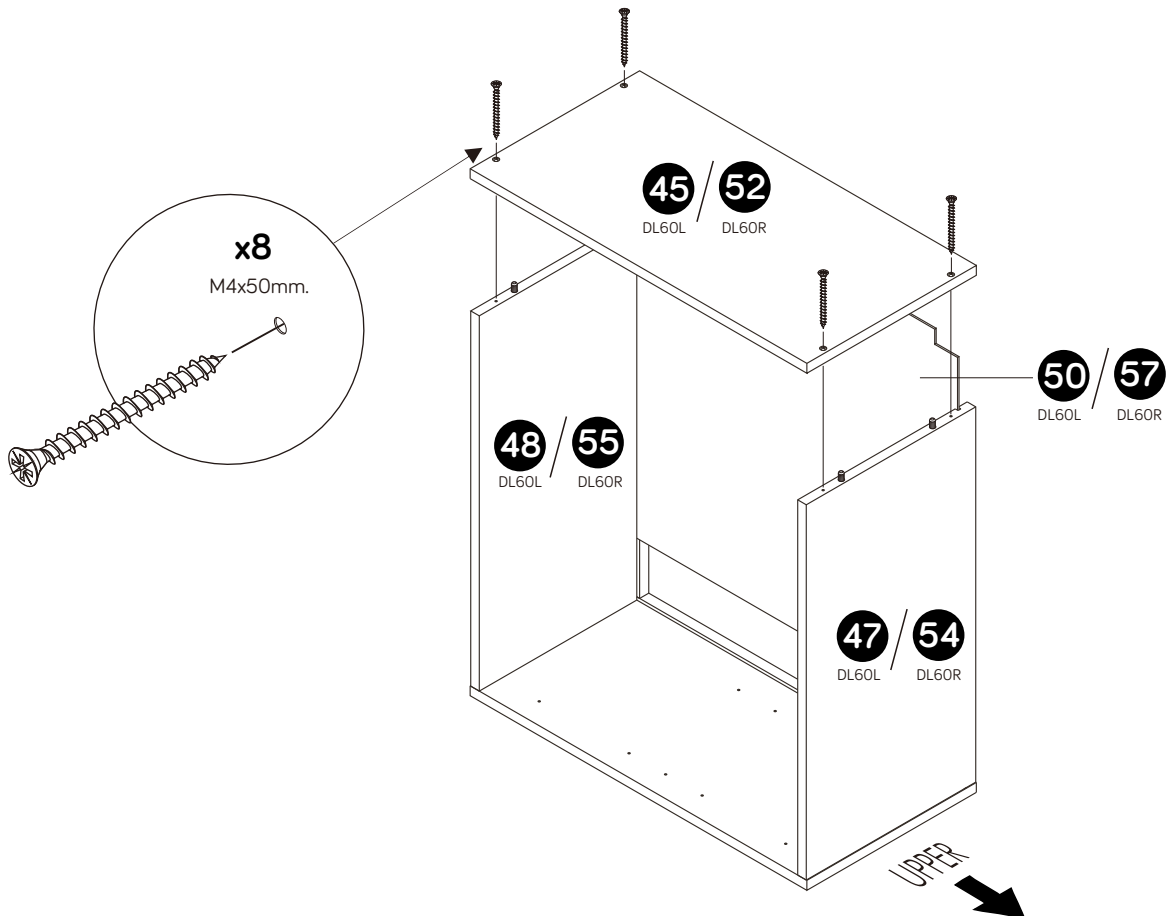
12.



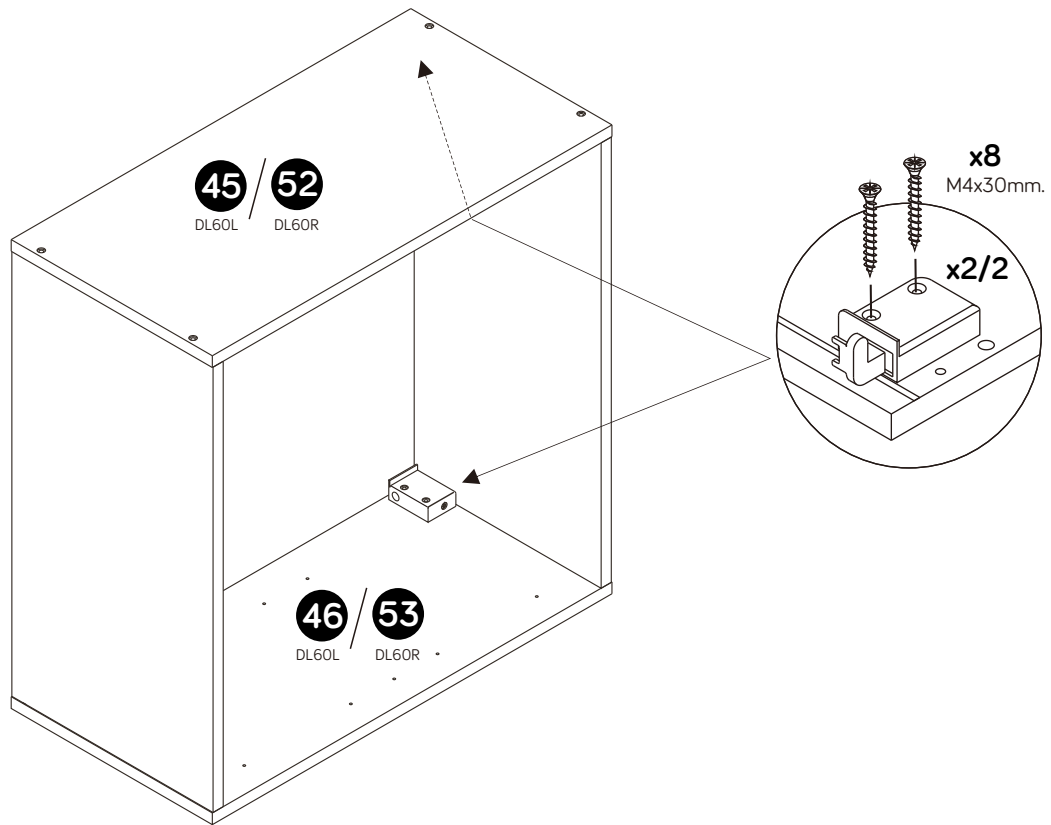
13.



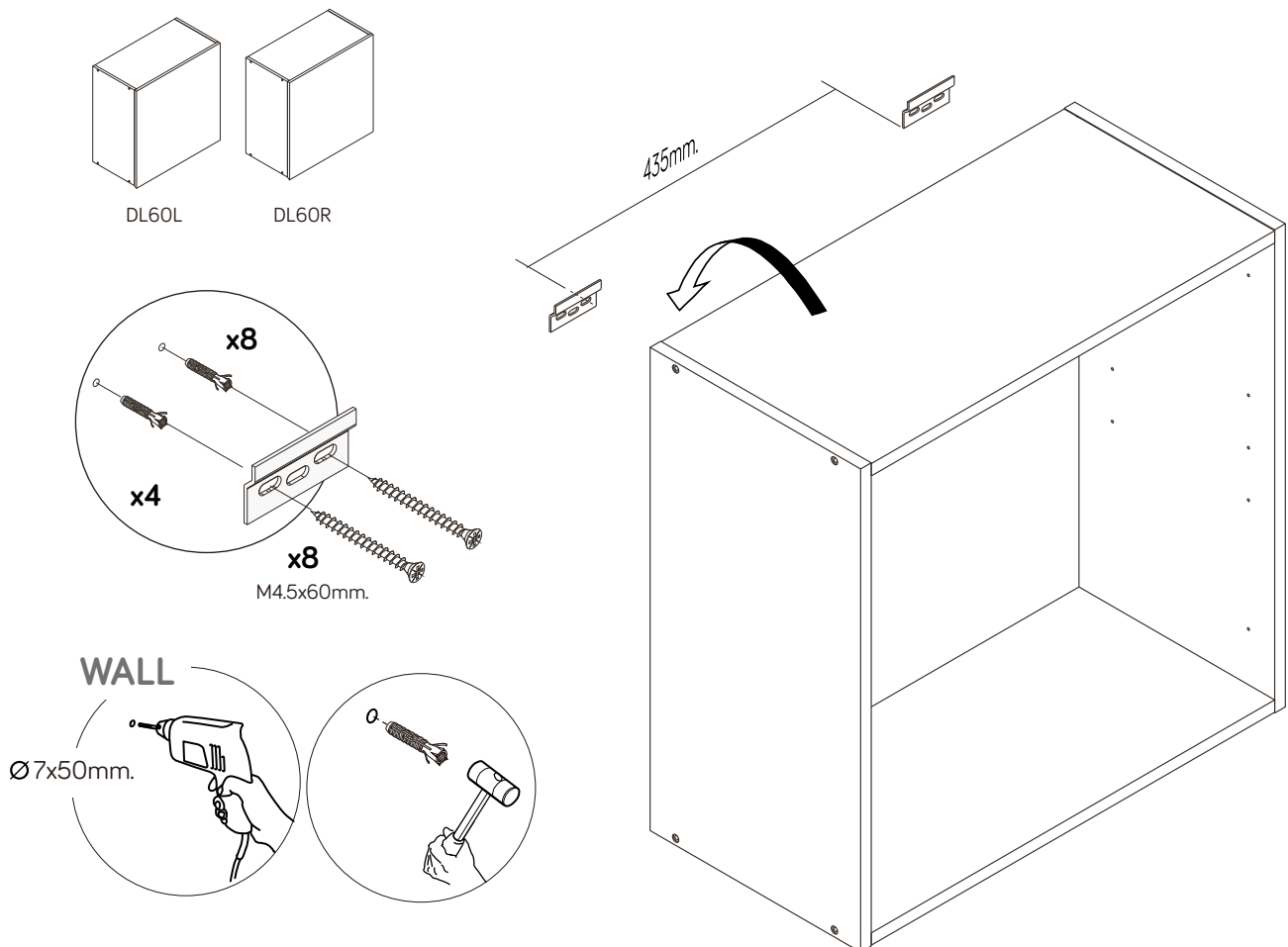
14.



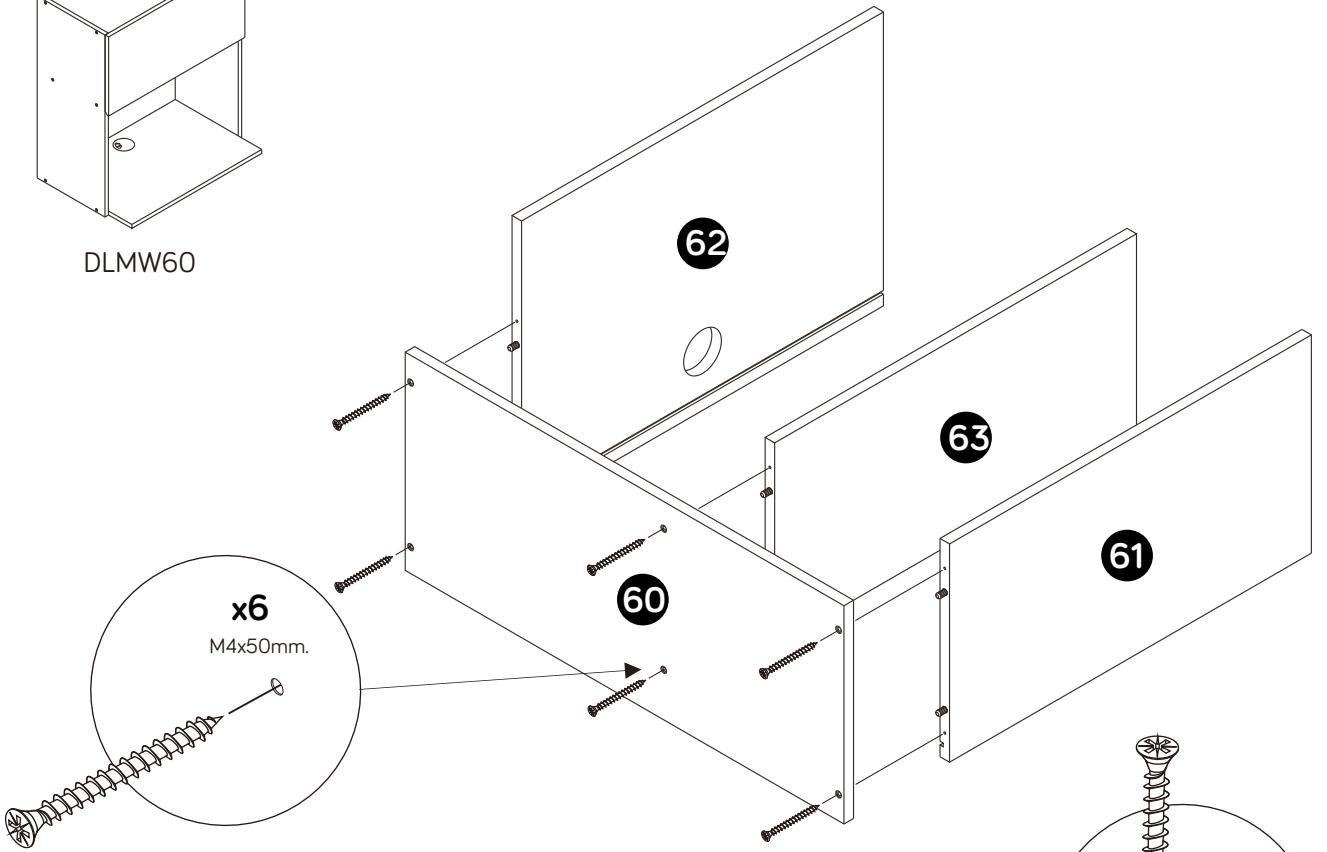
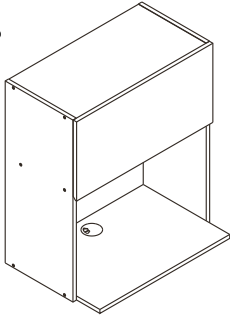
15.



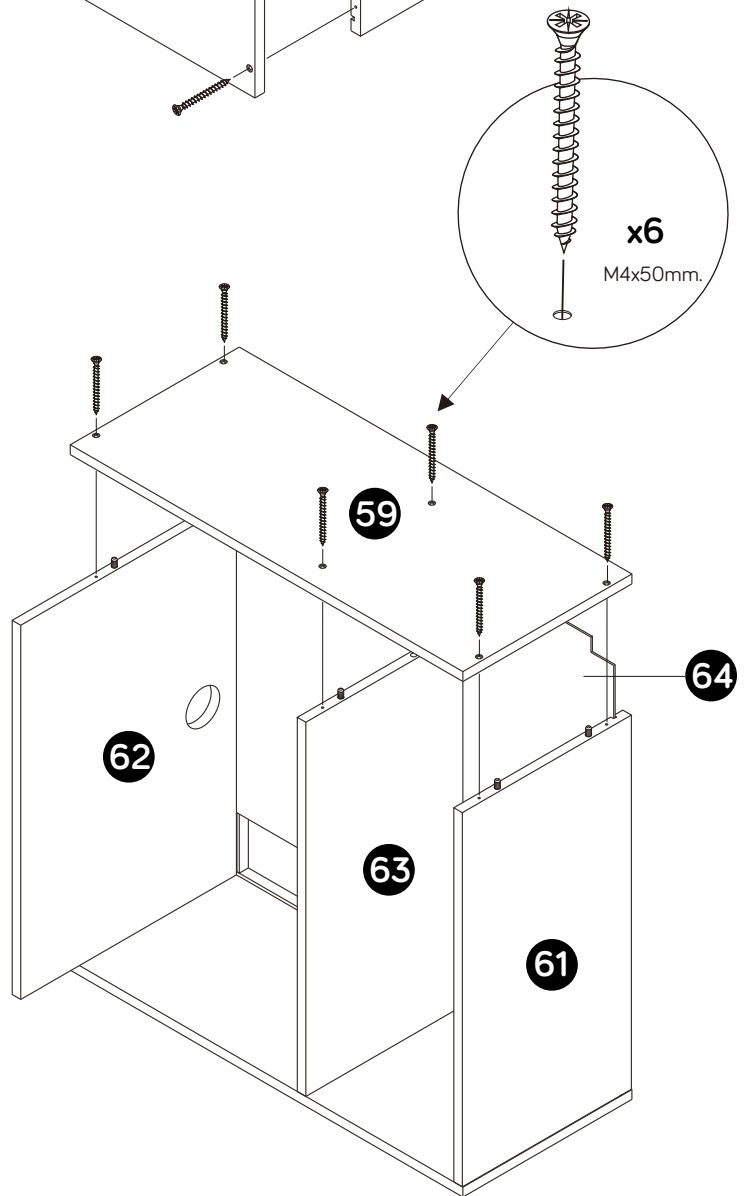
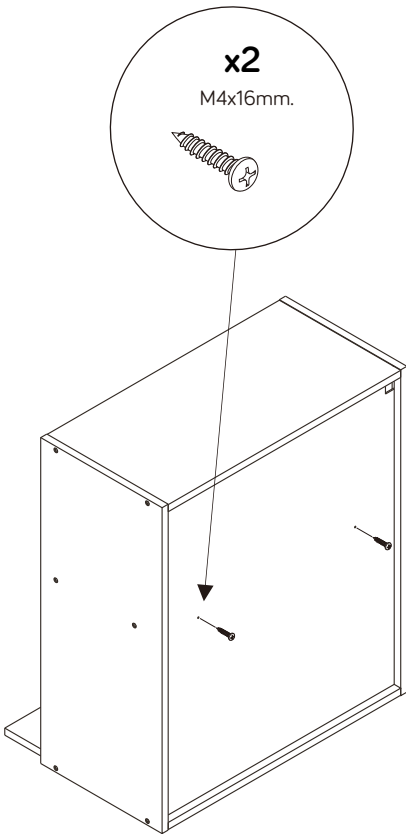
16.



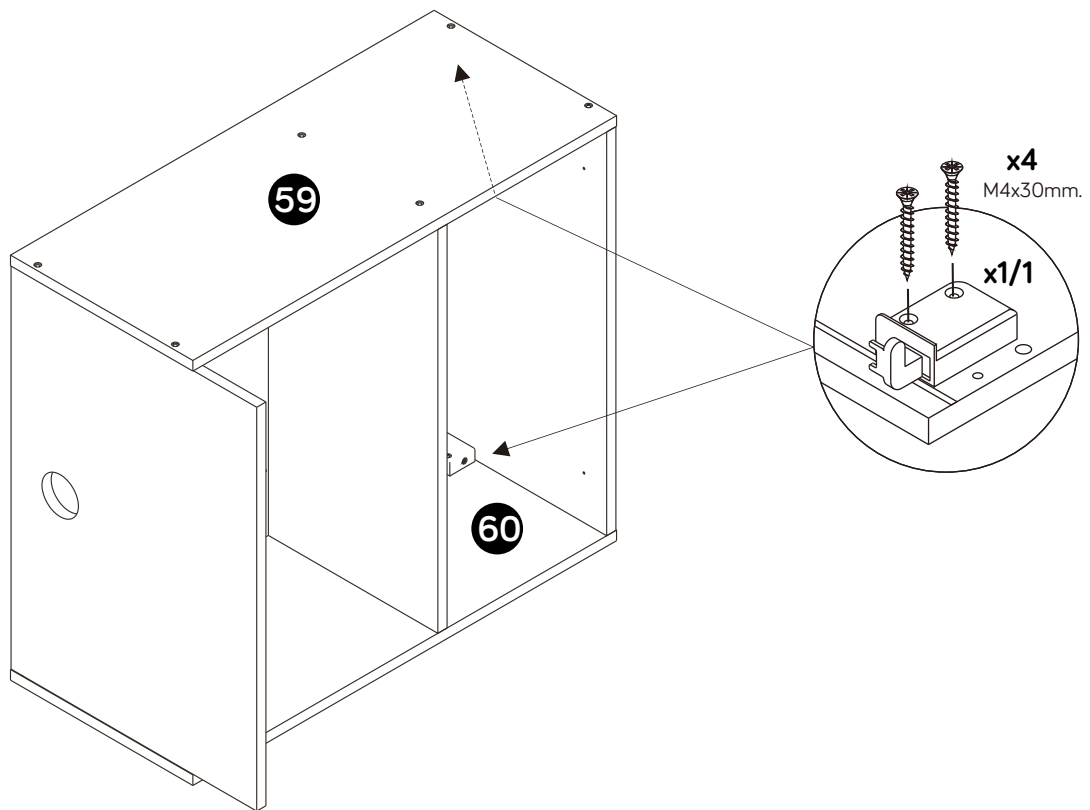
17.



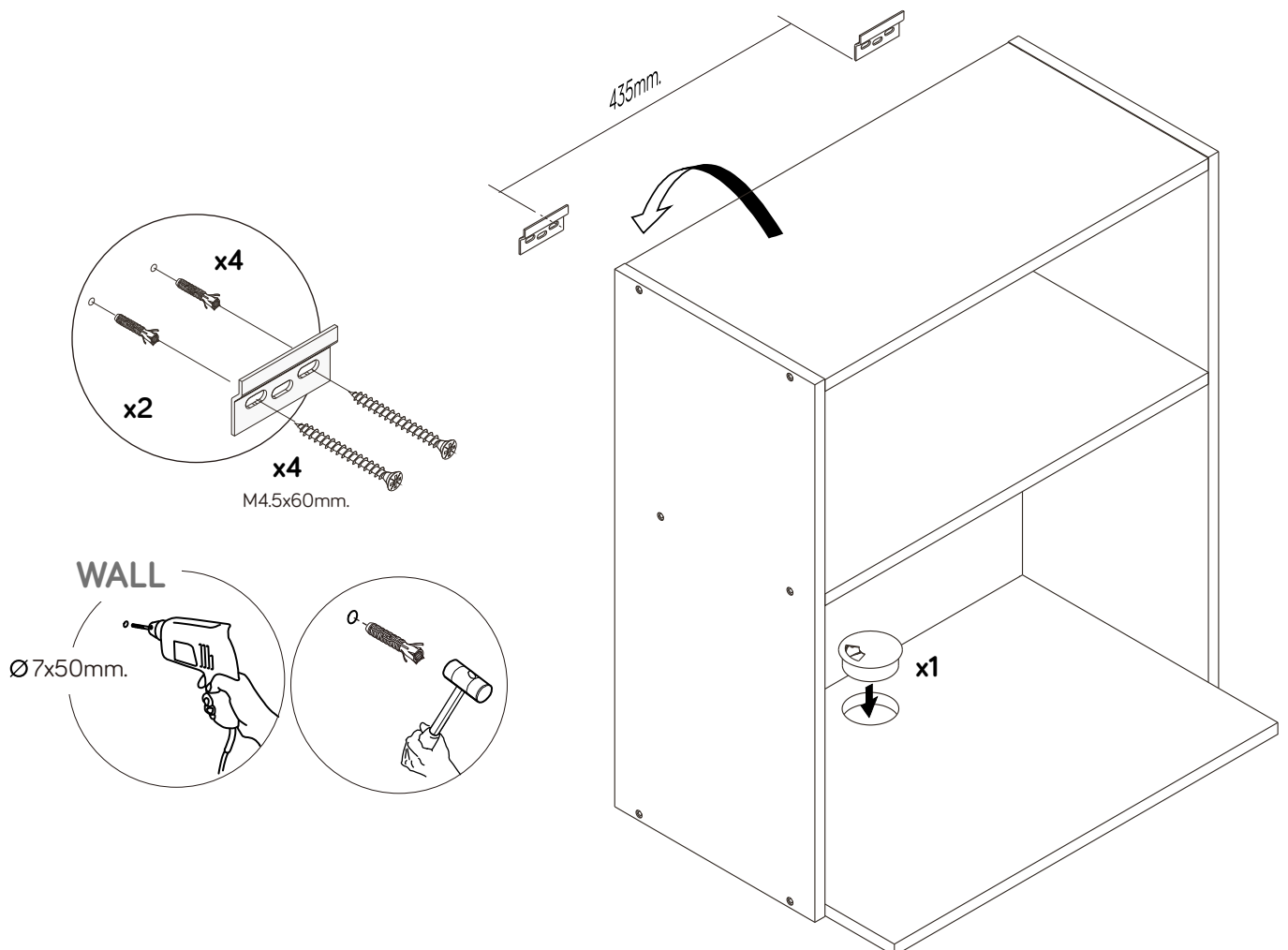
18.



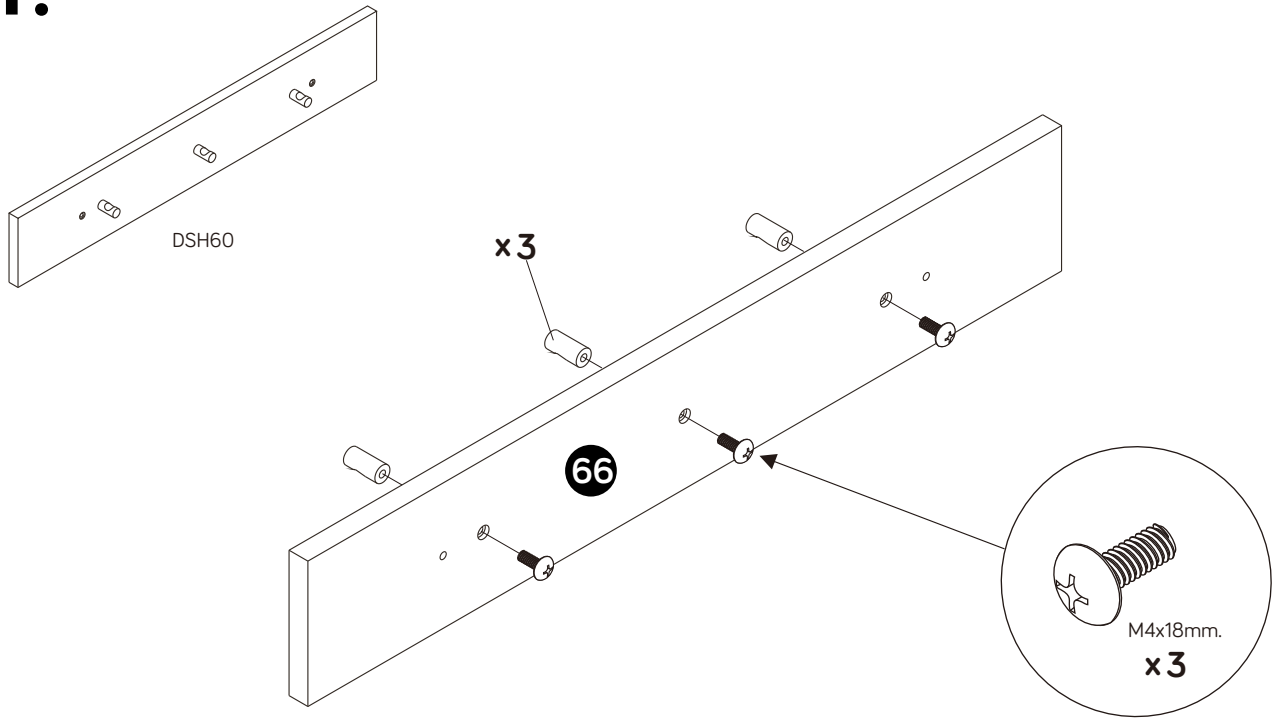
19.



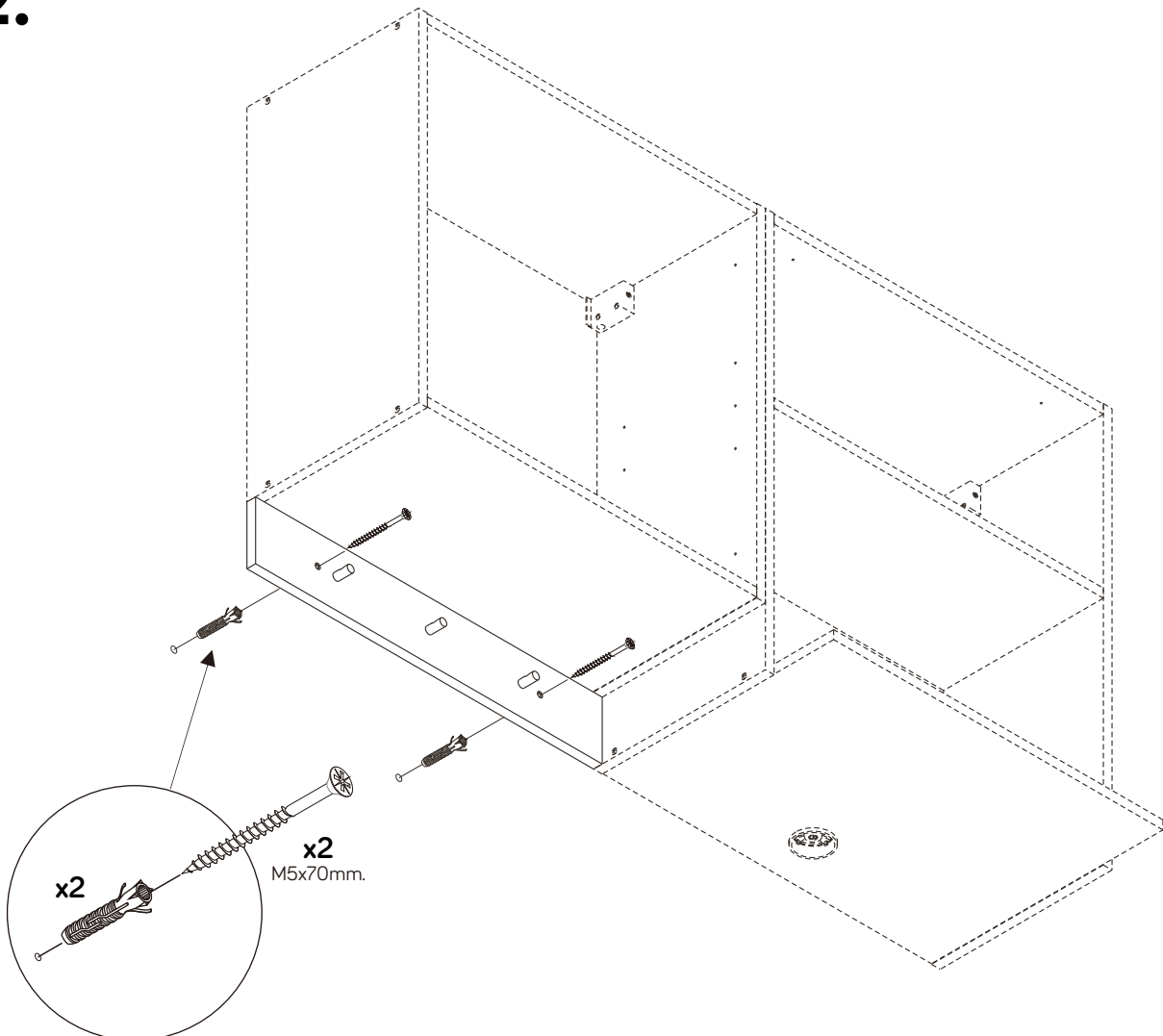
20.



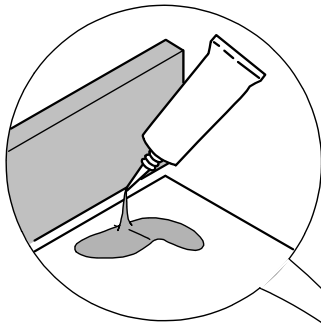
21.



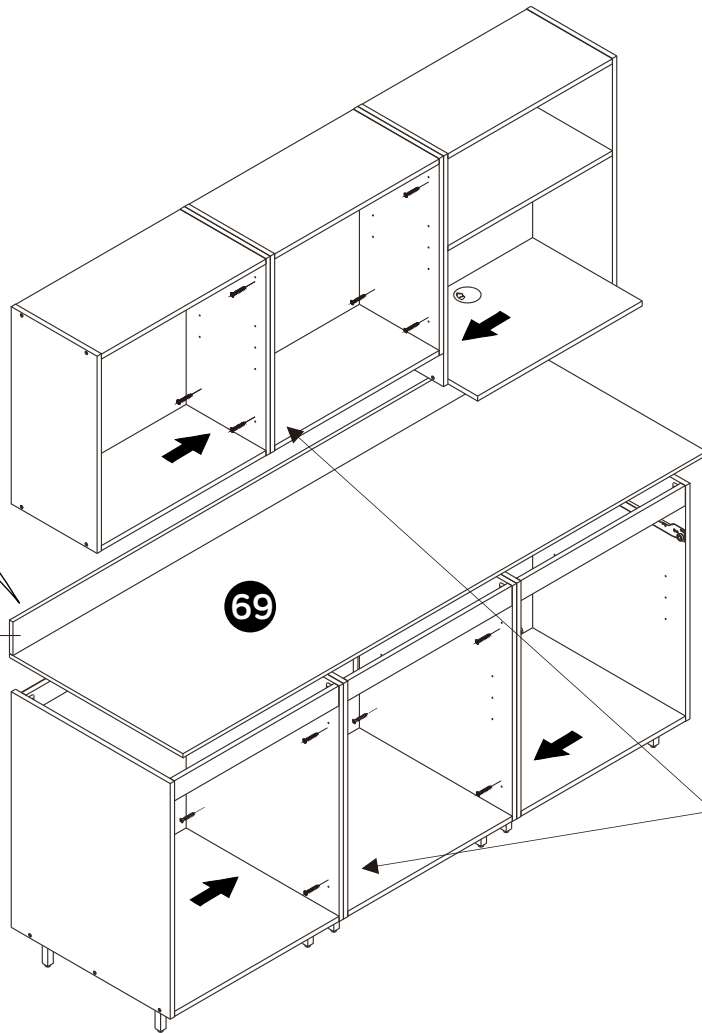
22.



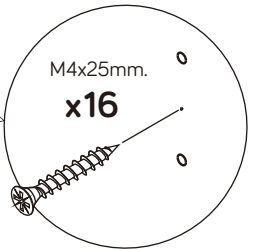
23.



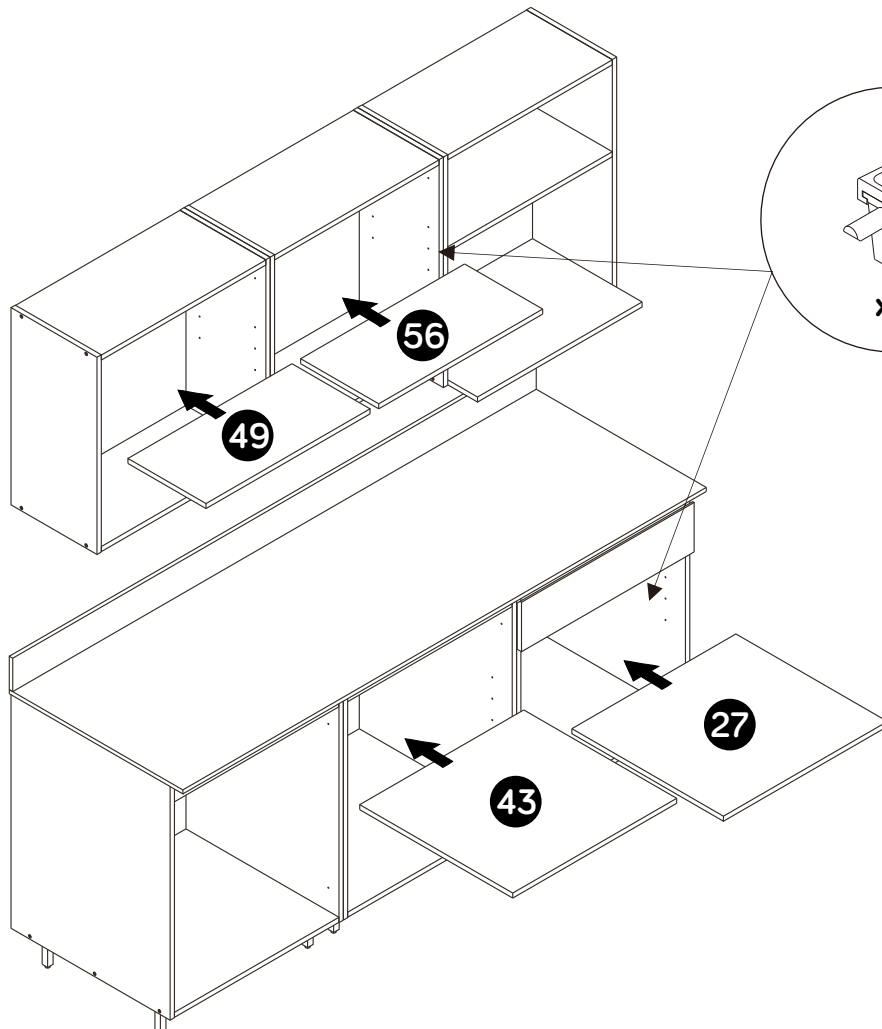
70



69



24.

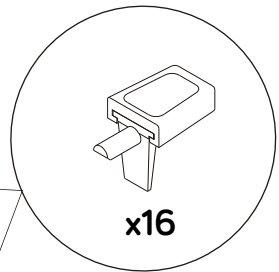


49

56

43

27



25.

