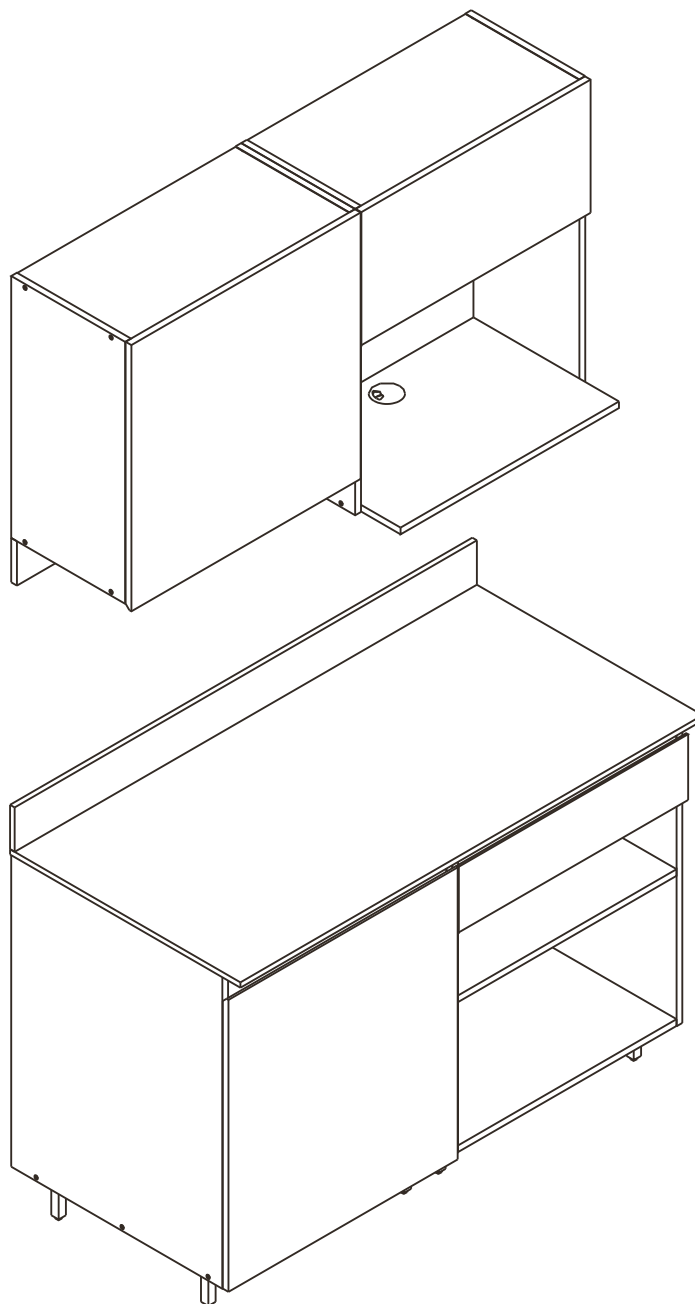
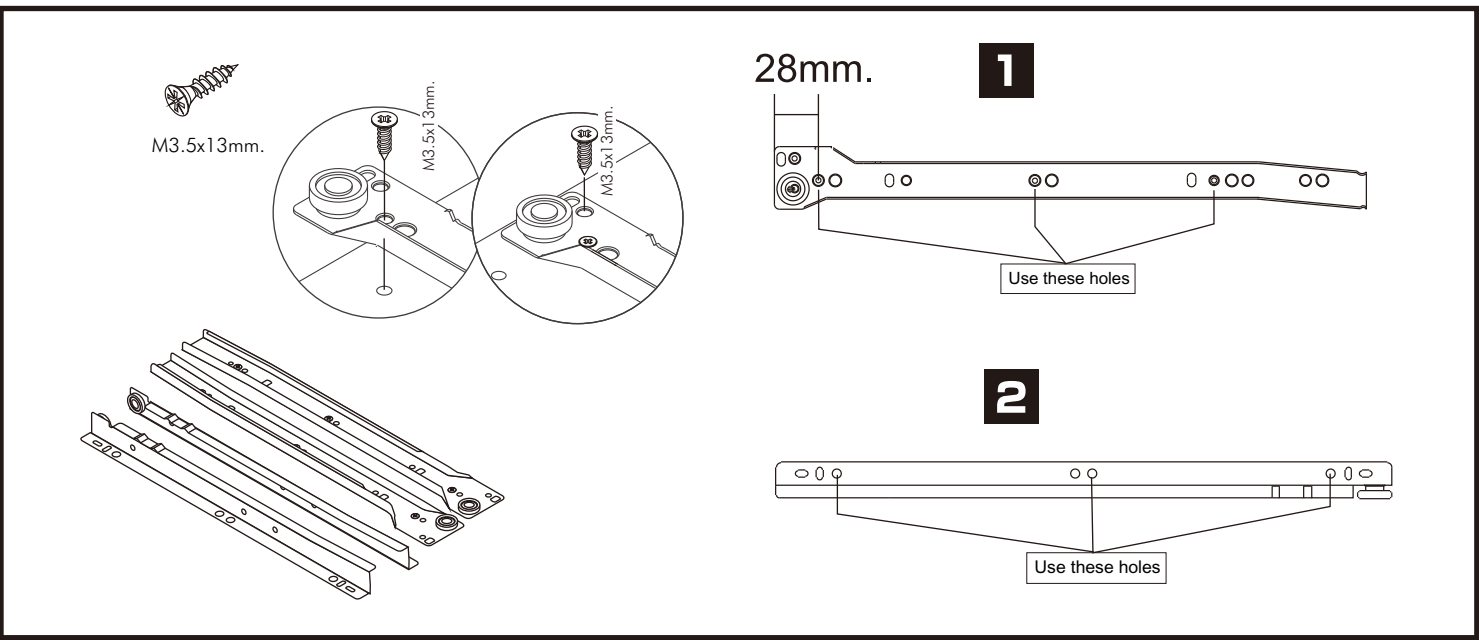
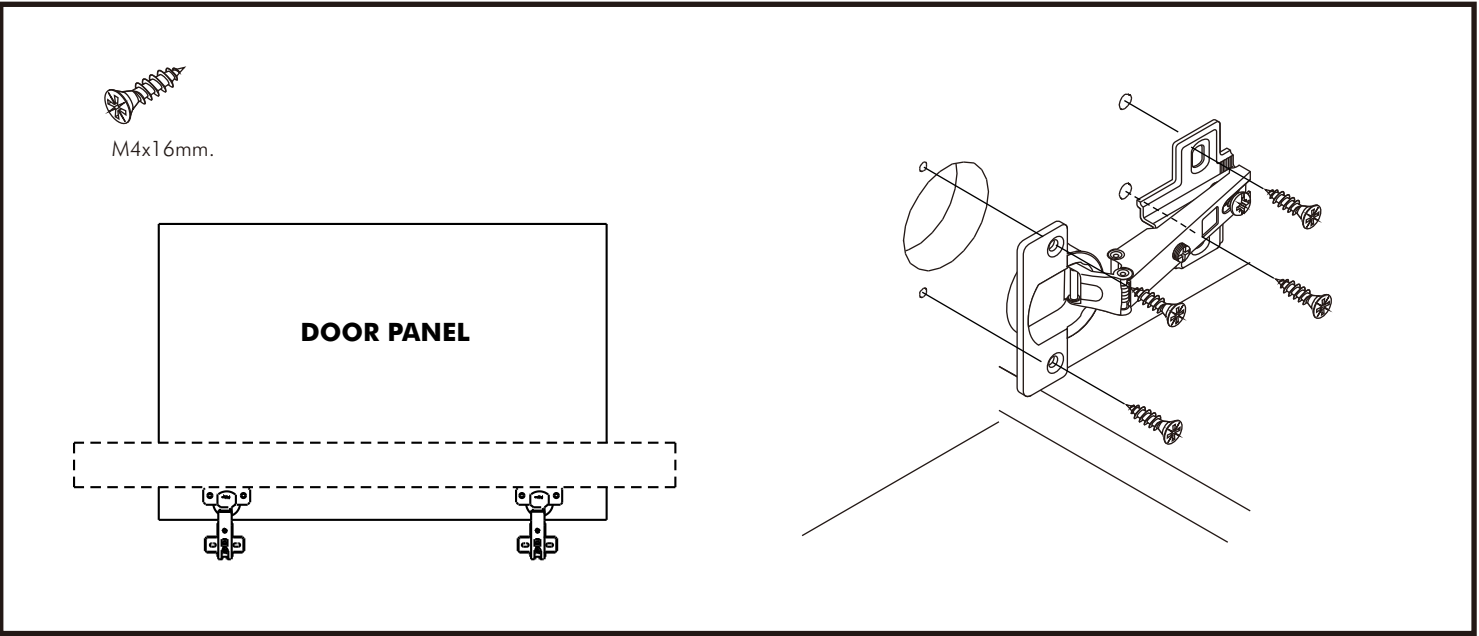
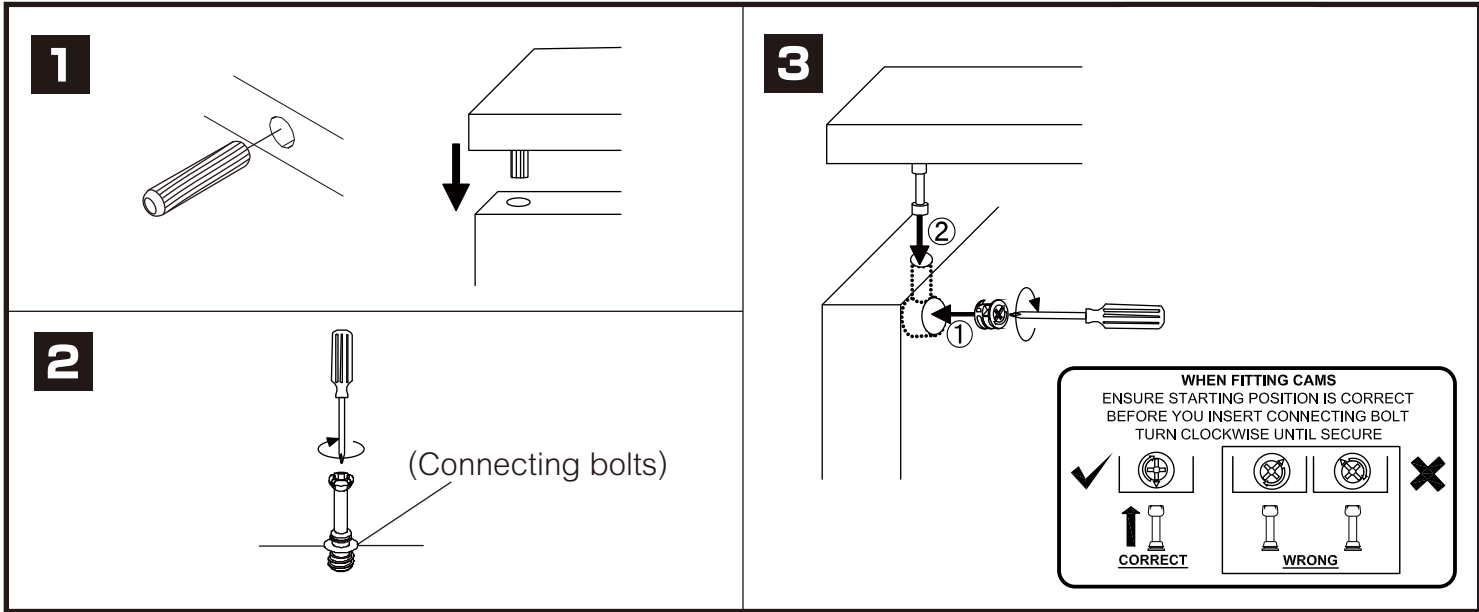


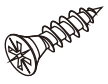
CHAMP M01-B

Kitchen 1.2M

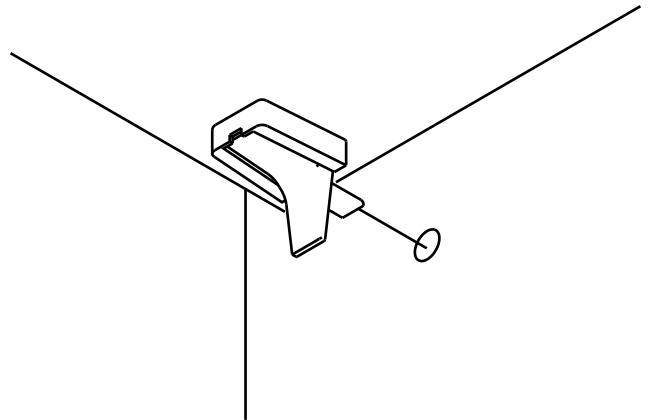
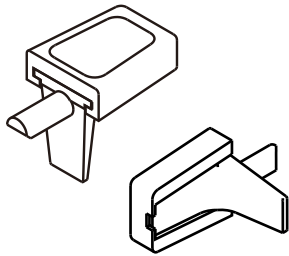
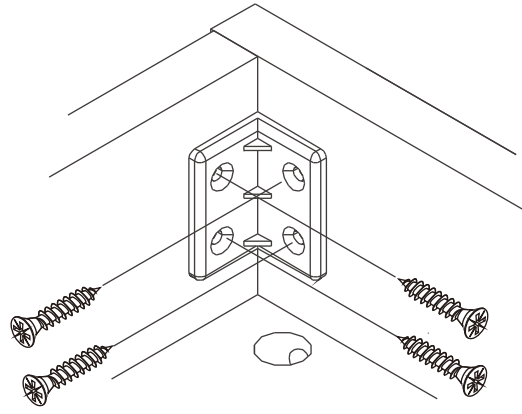
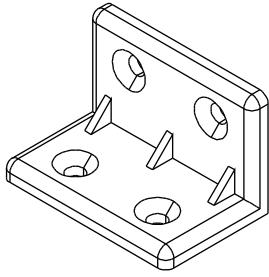


CONNECT SYSTEM



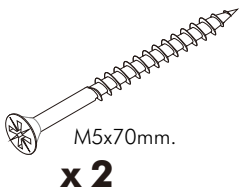
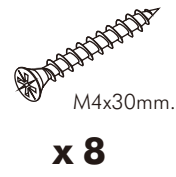
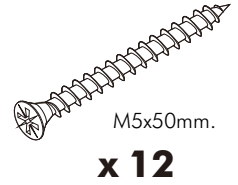
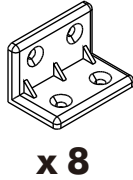
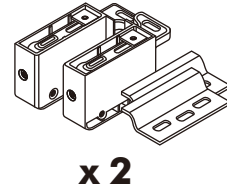
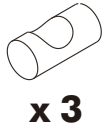
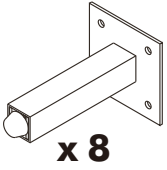


M4x16mm.

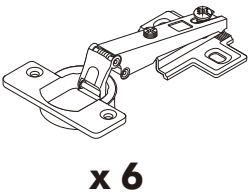


HARDWARE

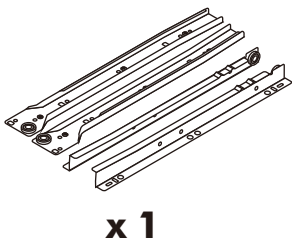
-BODY SET



-DOOR SET



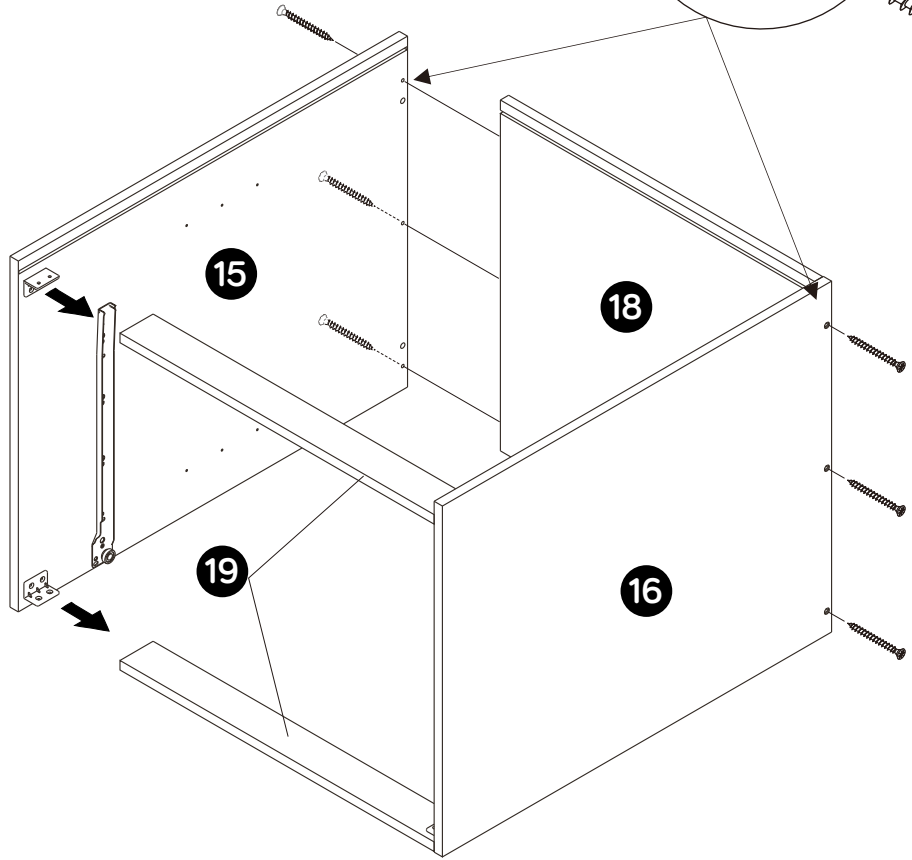
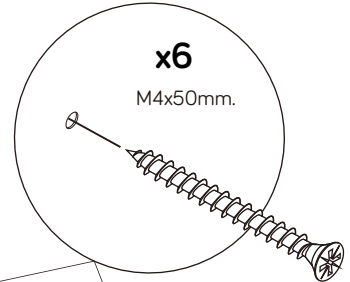
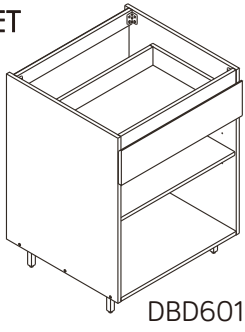
-DRAWER SET



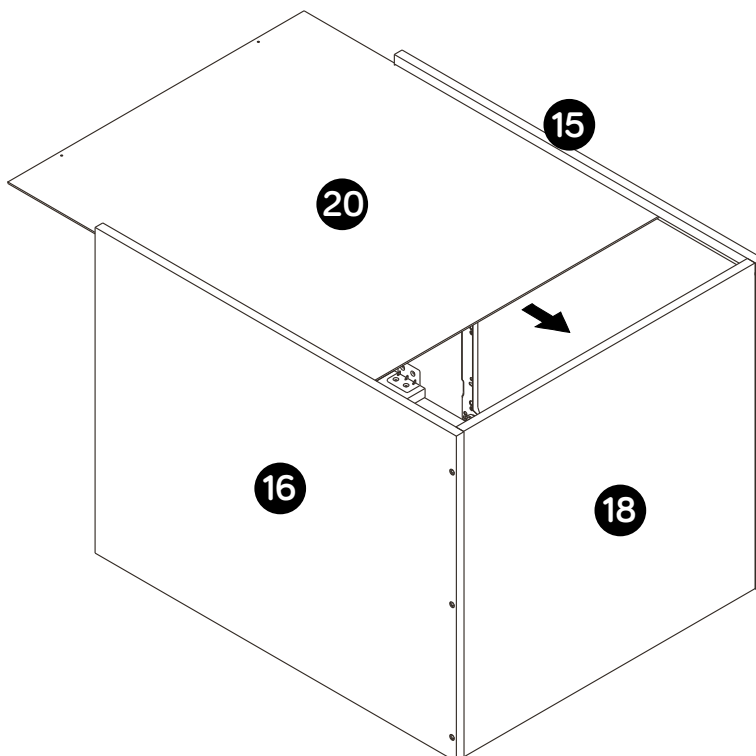
ASSEMBLY

-BODY SET

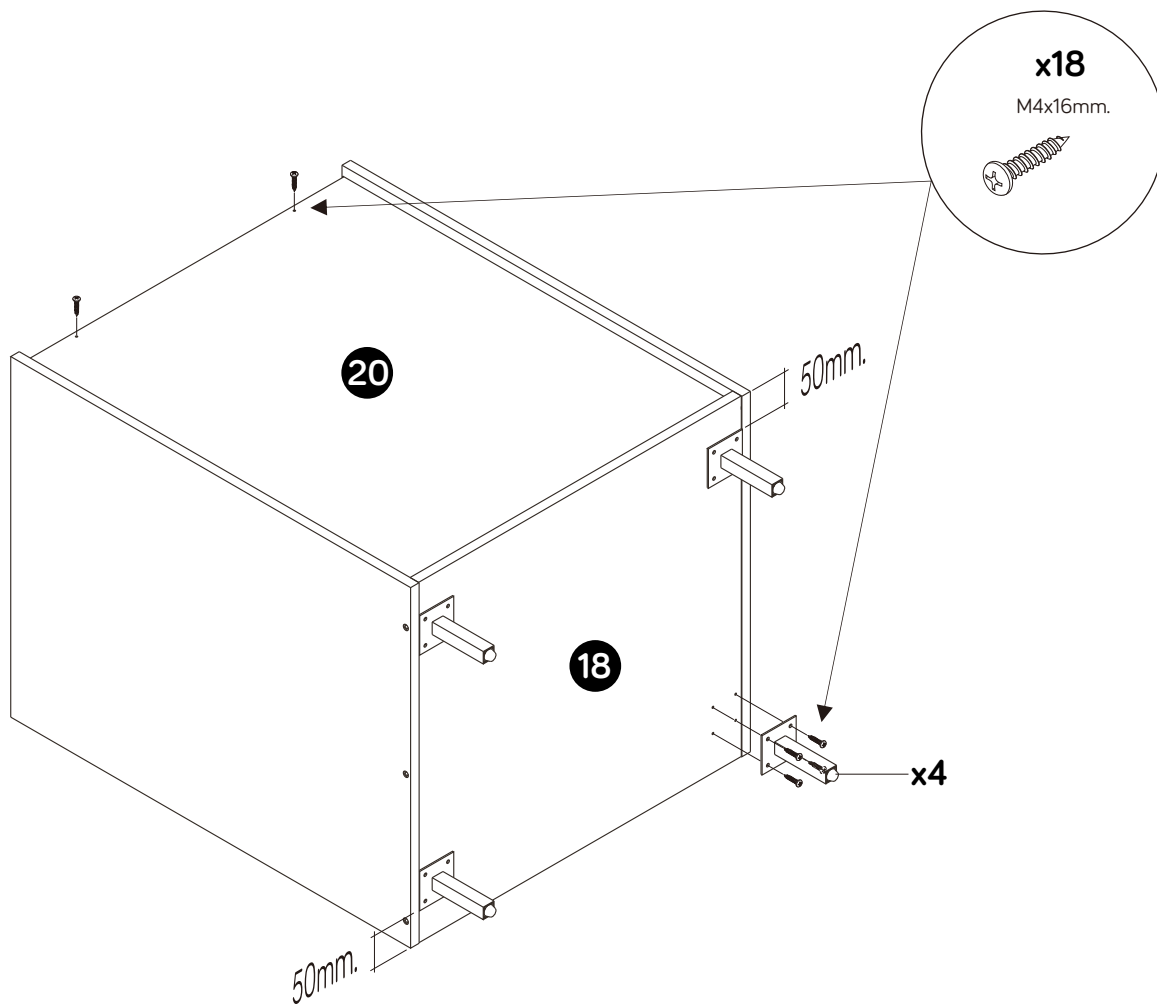
1.



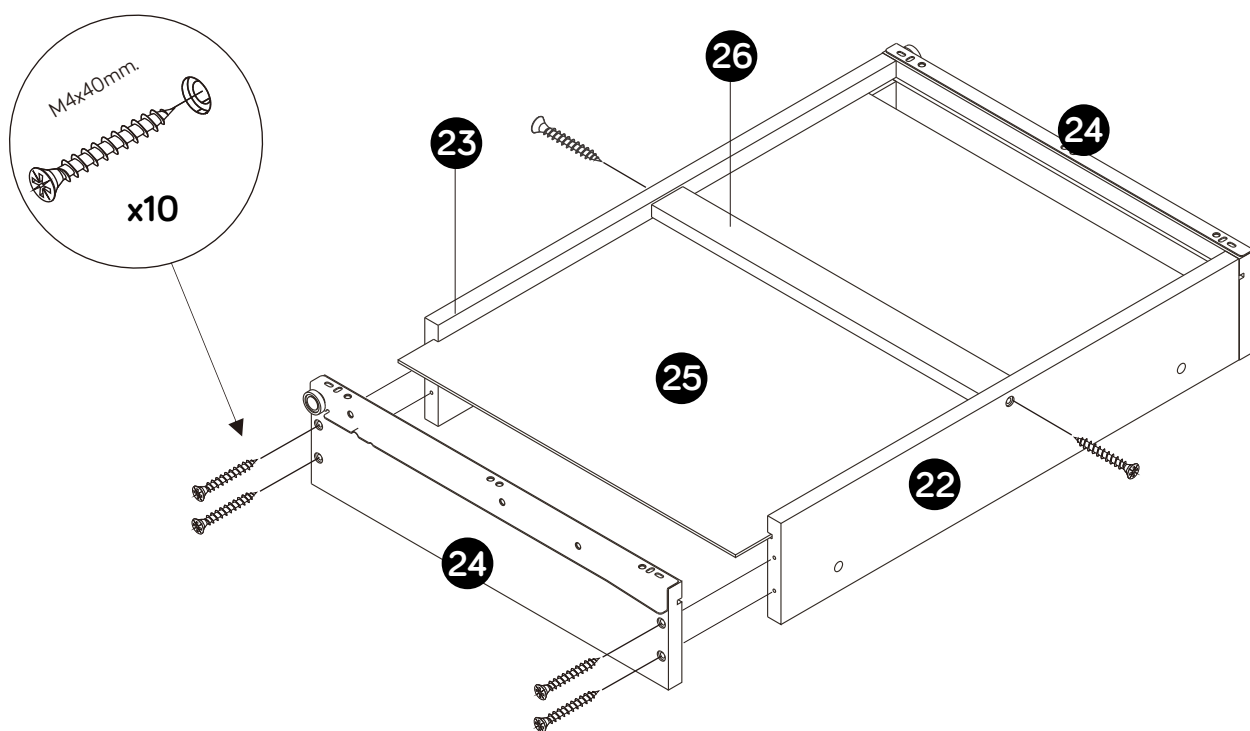
2.



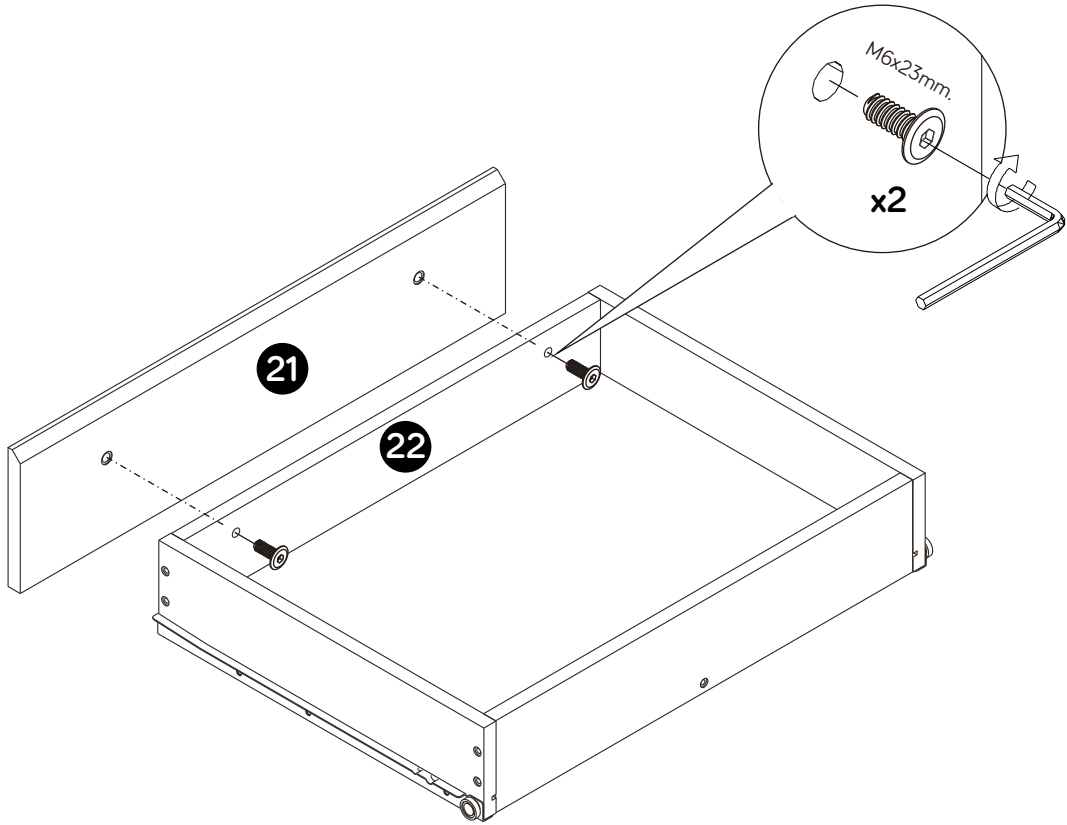
3.



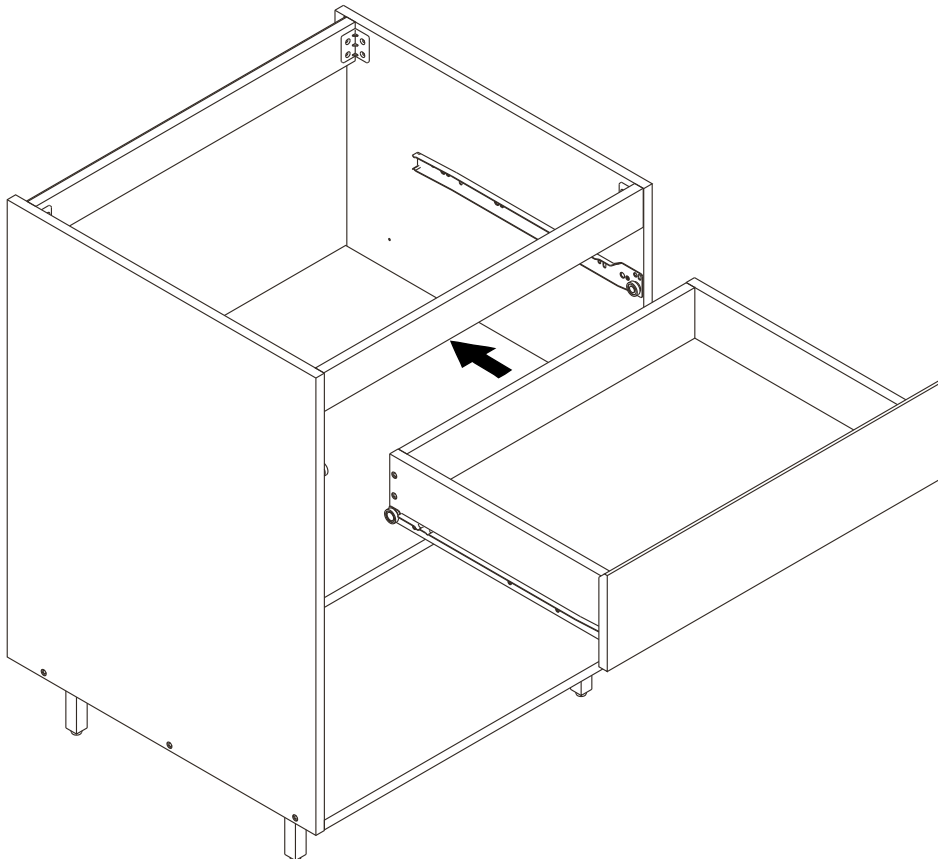
4.



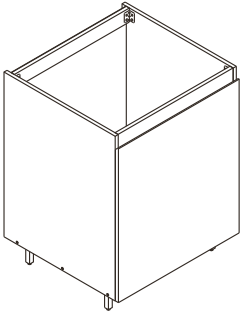
5.



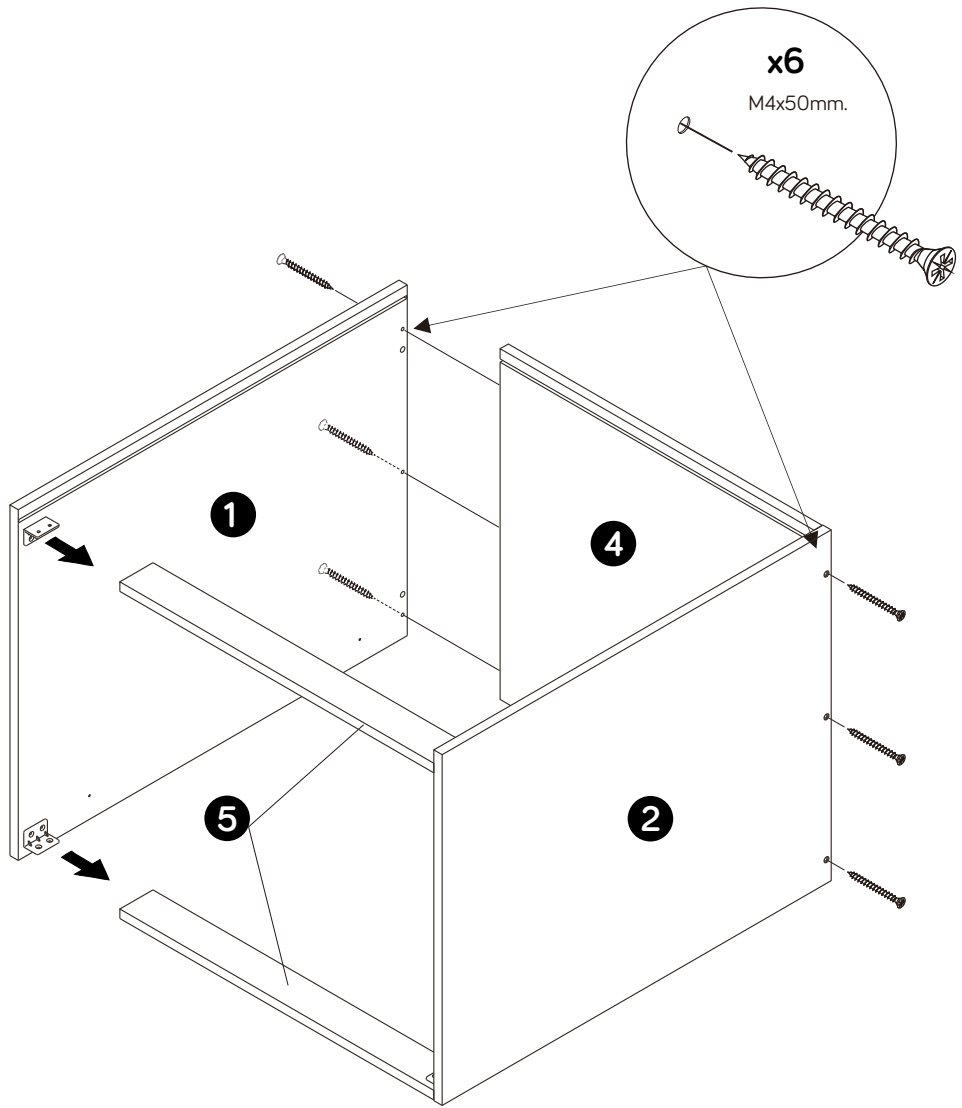
6.



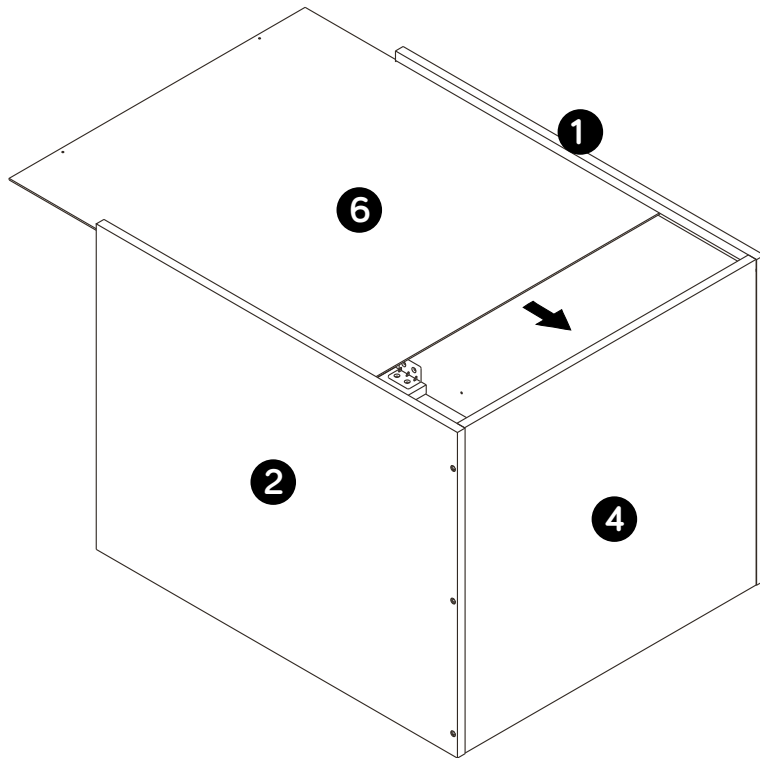
7.



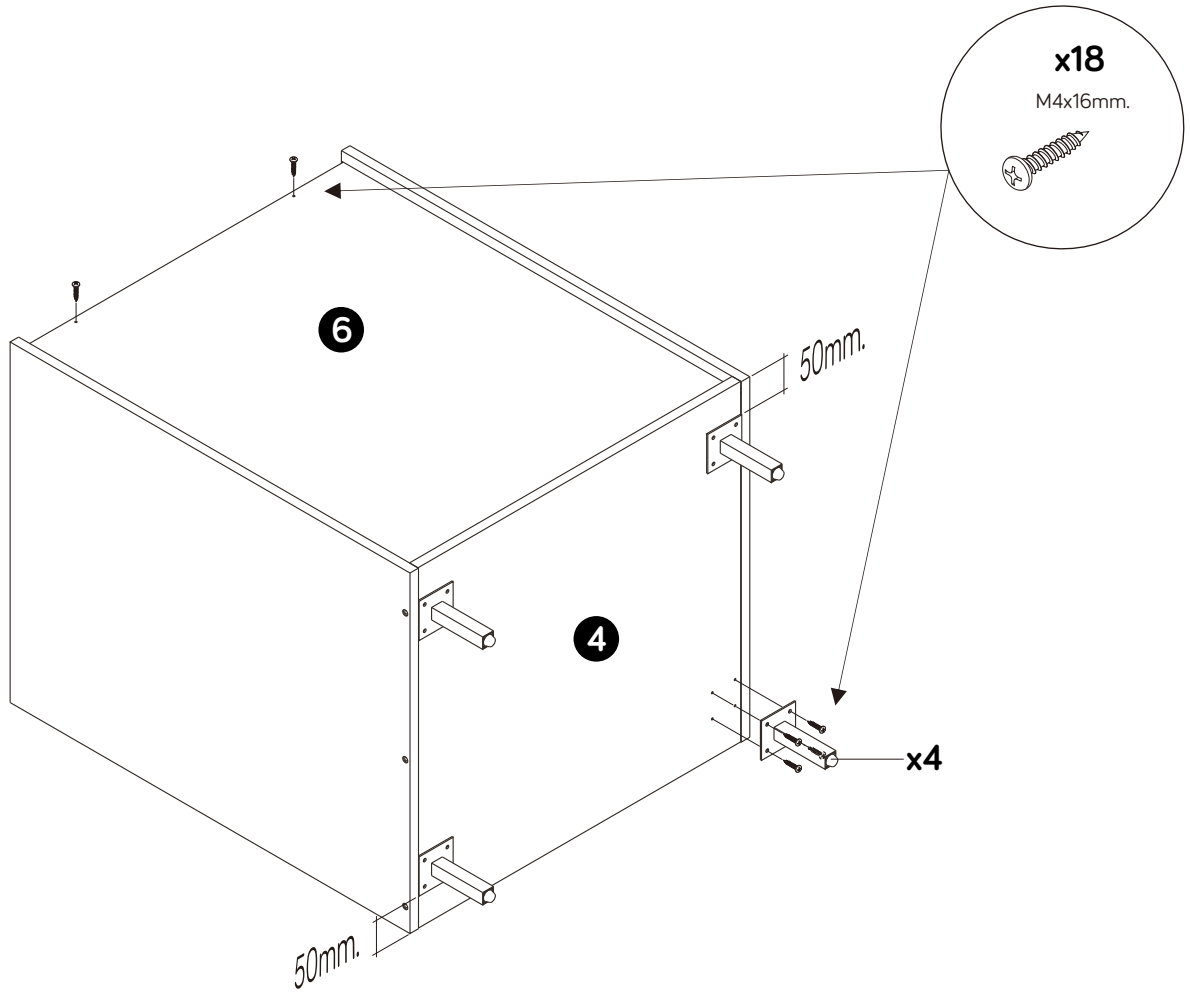
DBS60L



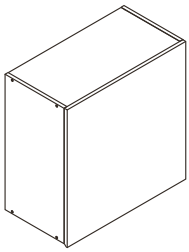
8.



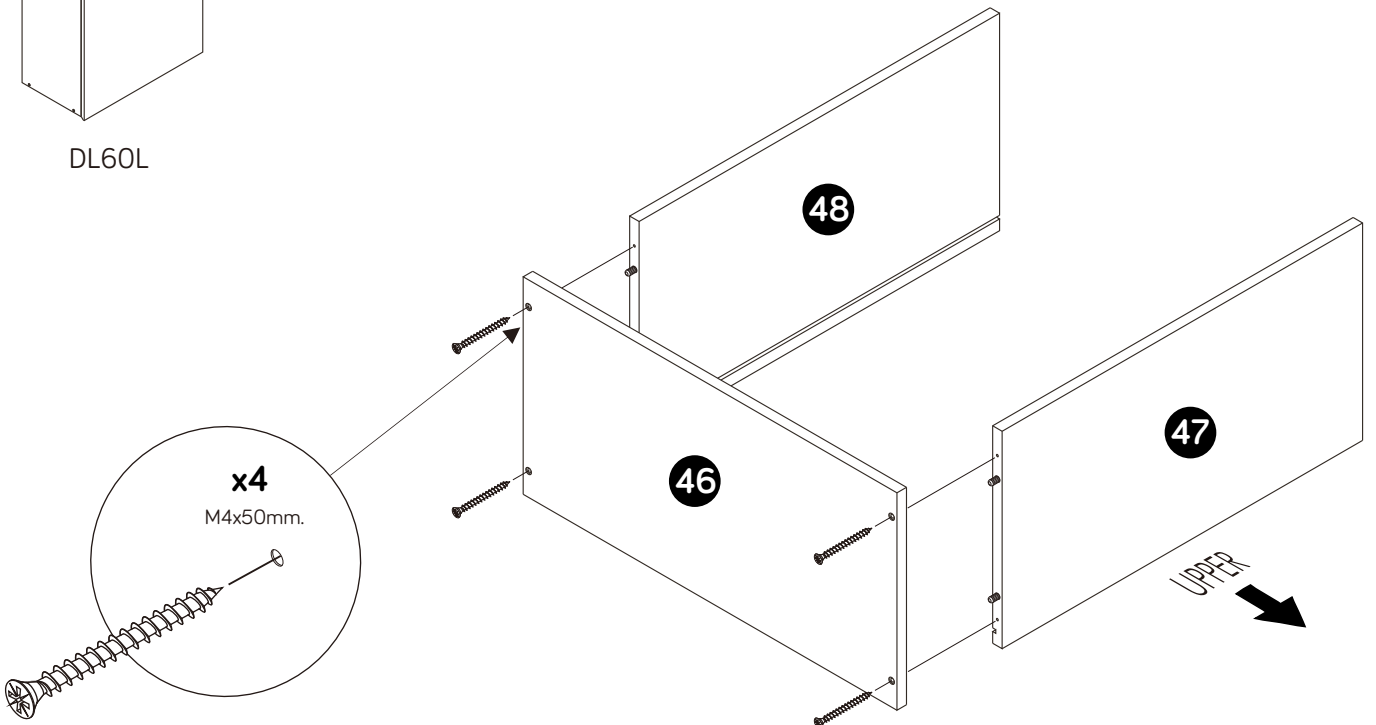
9.



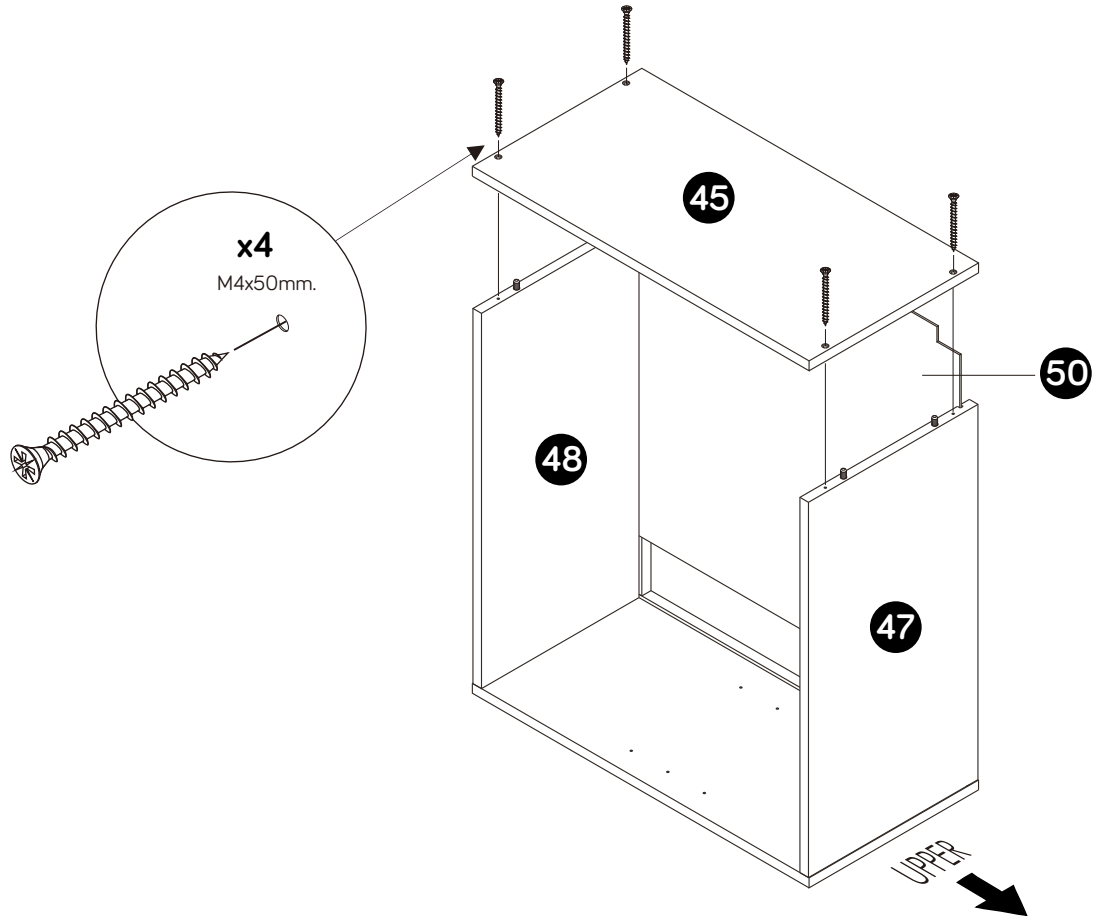
10.



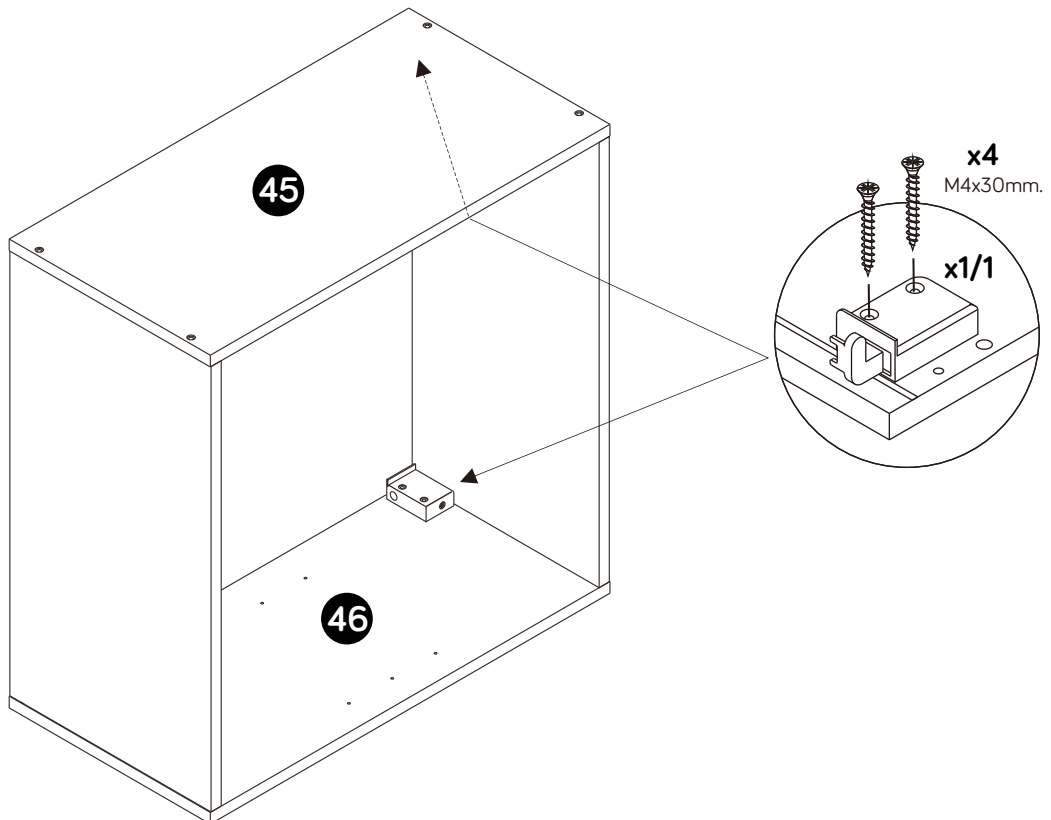
DL60L



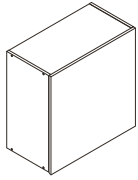
11.



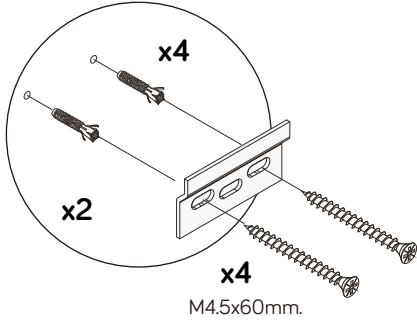
12.



13.



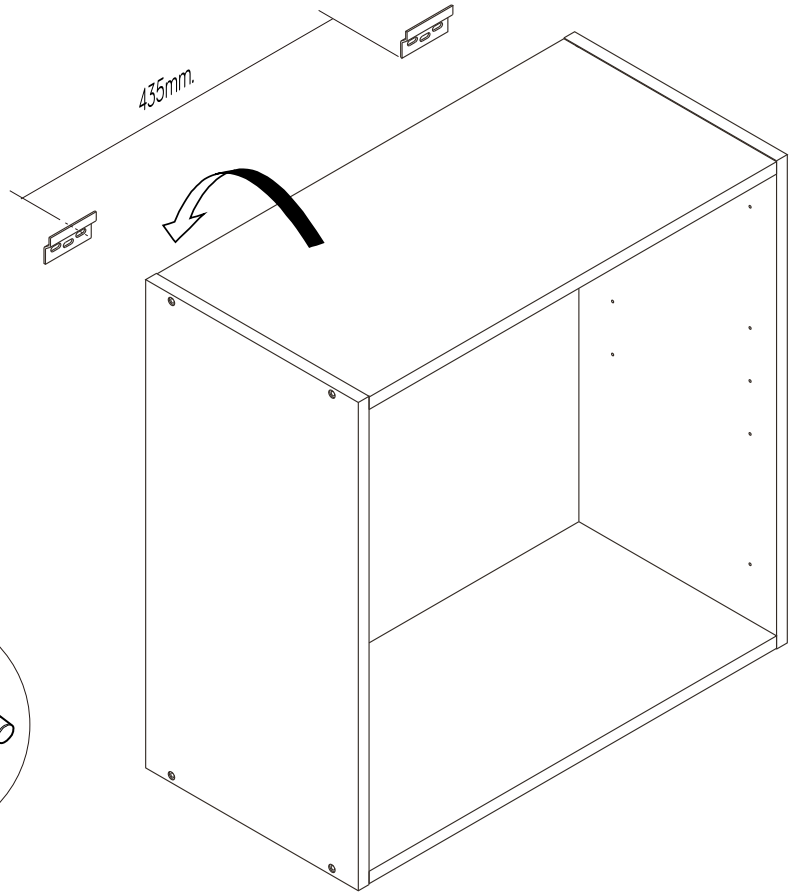
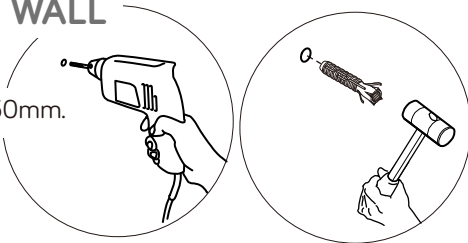
DL60L



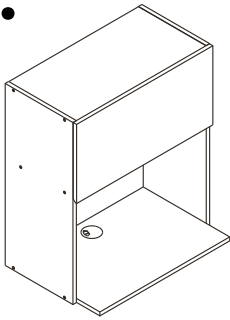
M4.5x60mm.

WALL

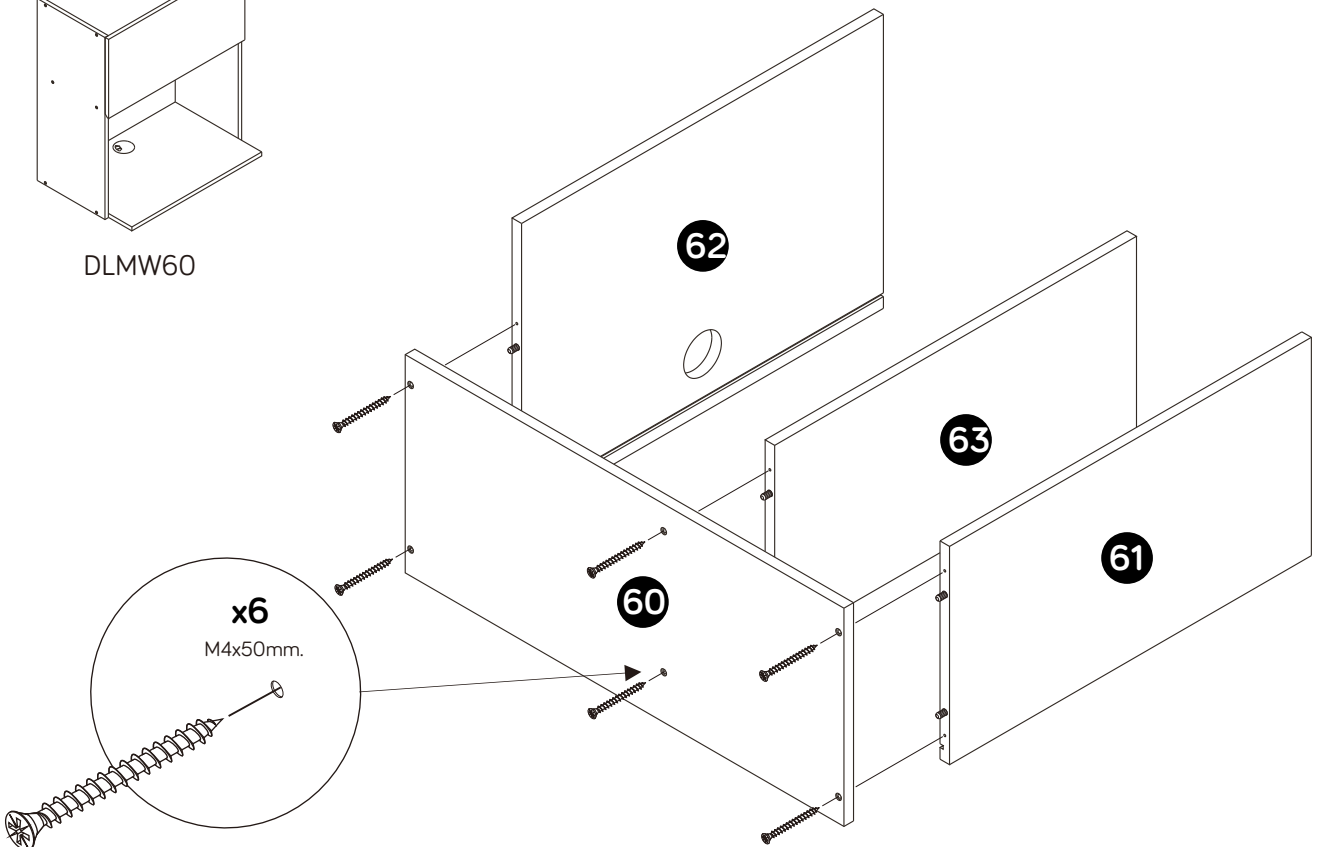
Ø7x50mm.



14.

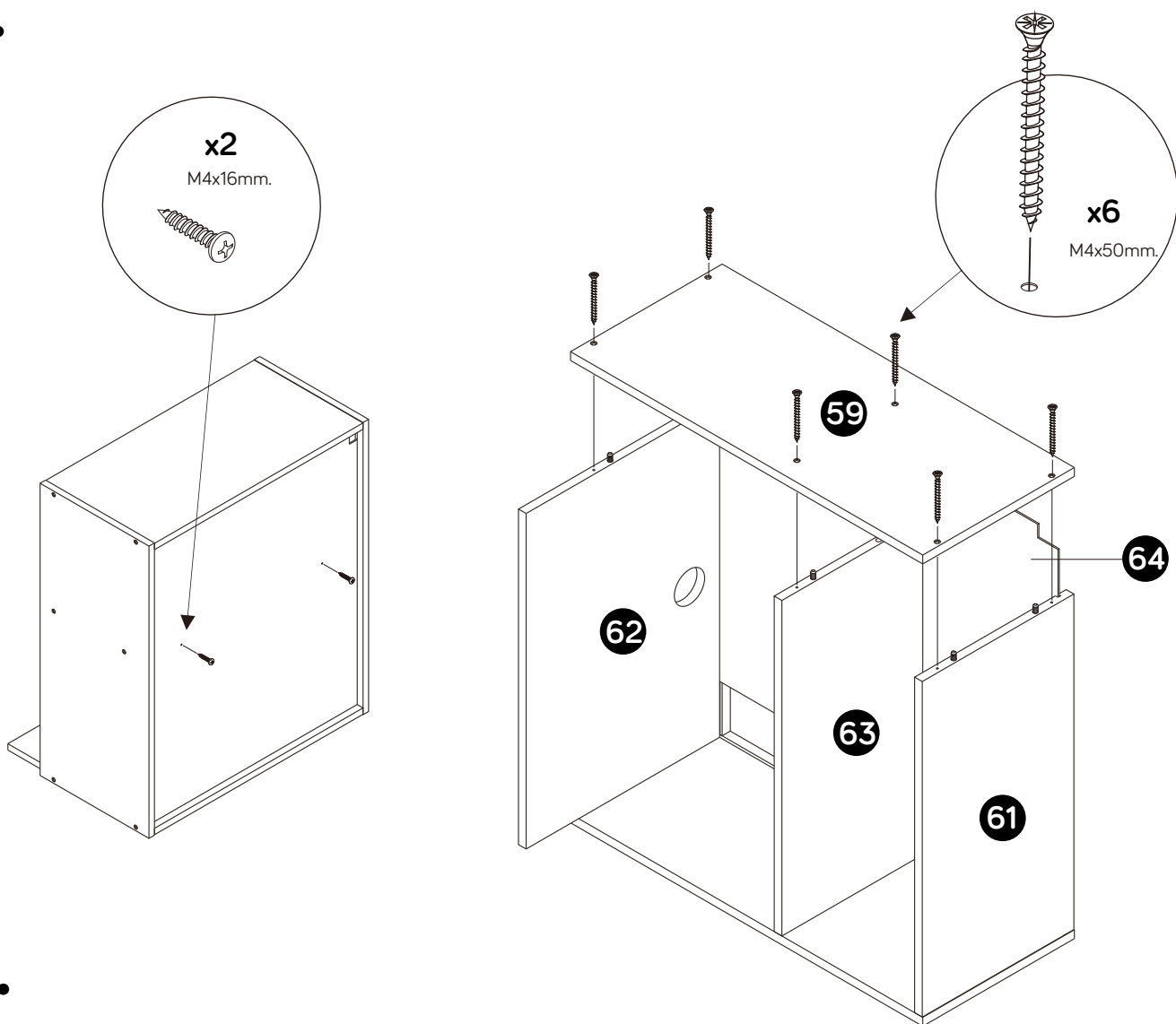


DLMW60

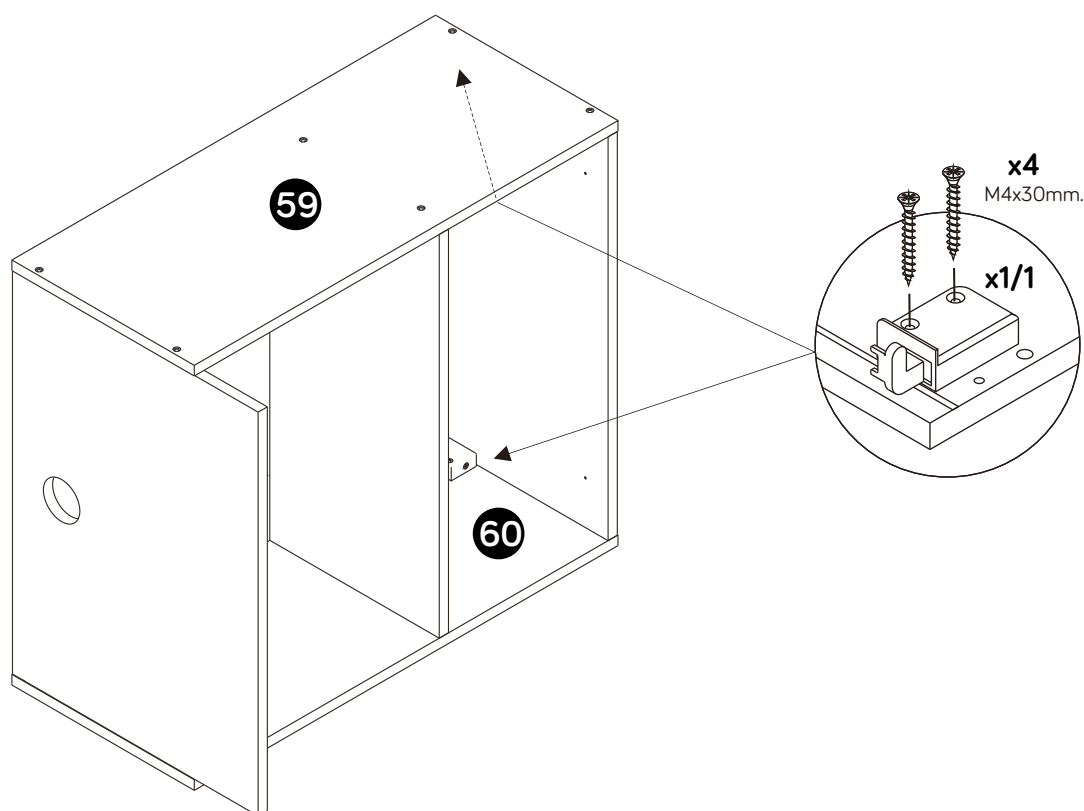


x6
M4x50mm.

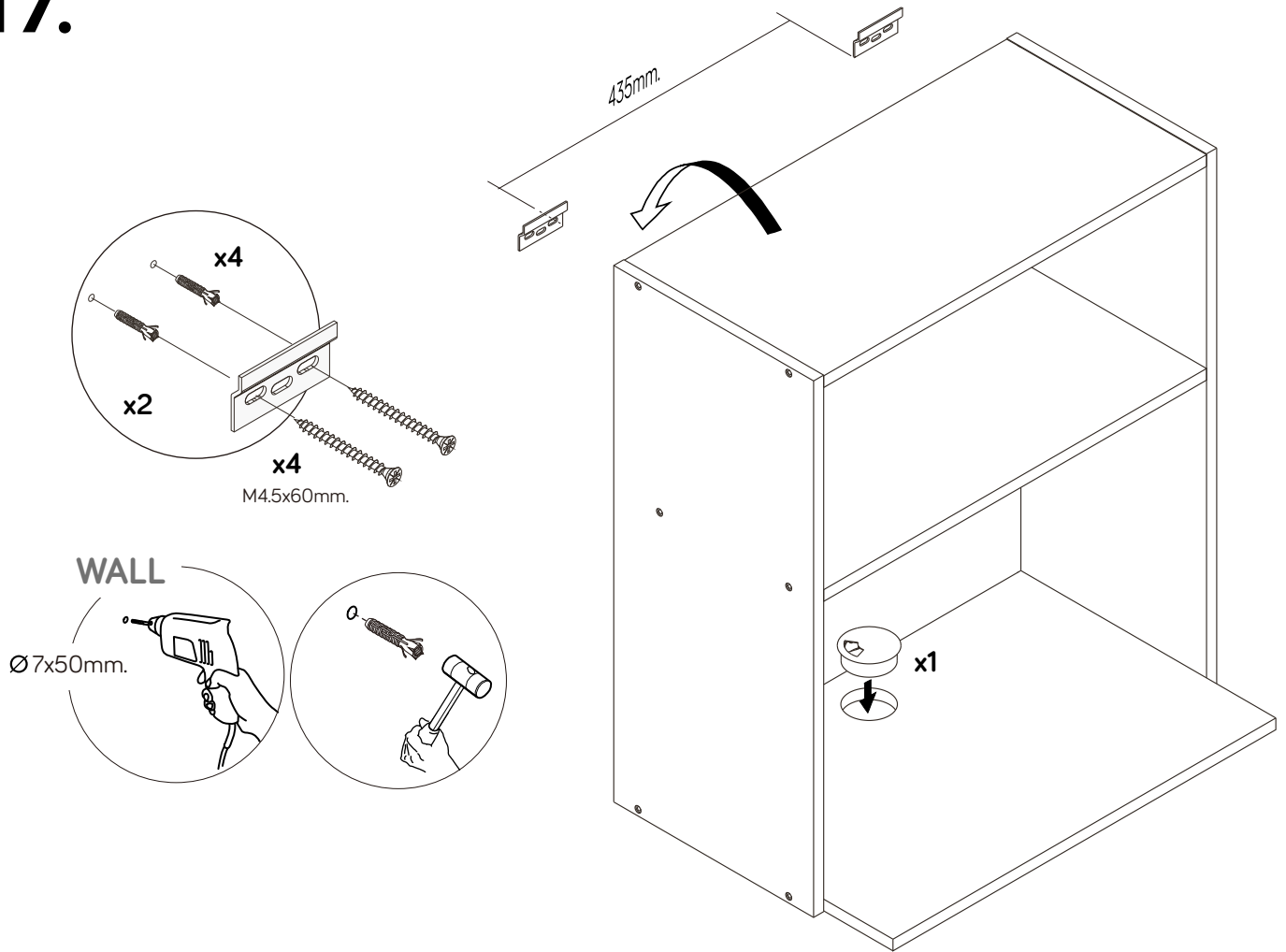
15.



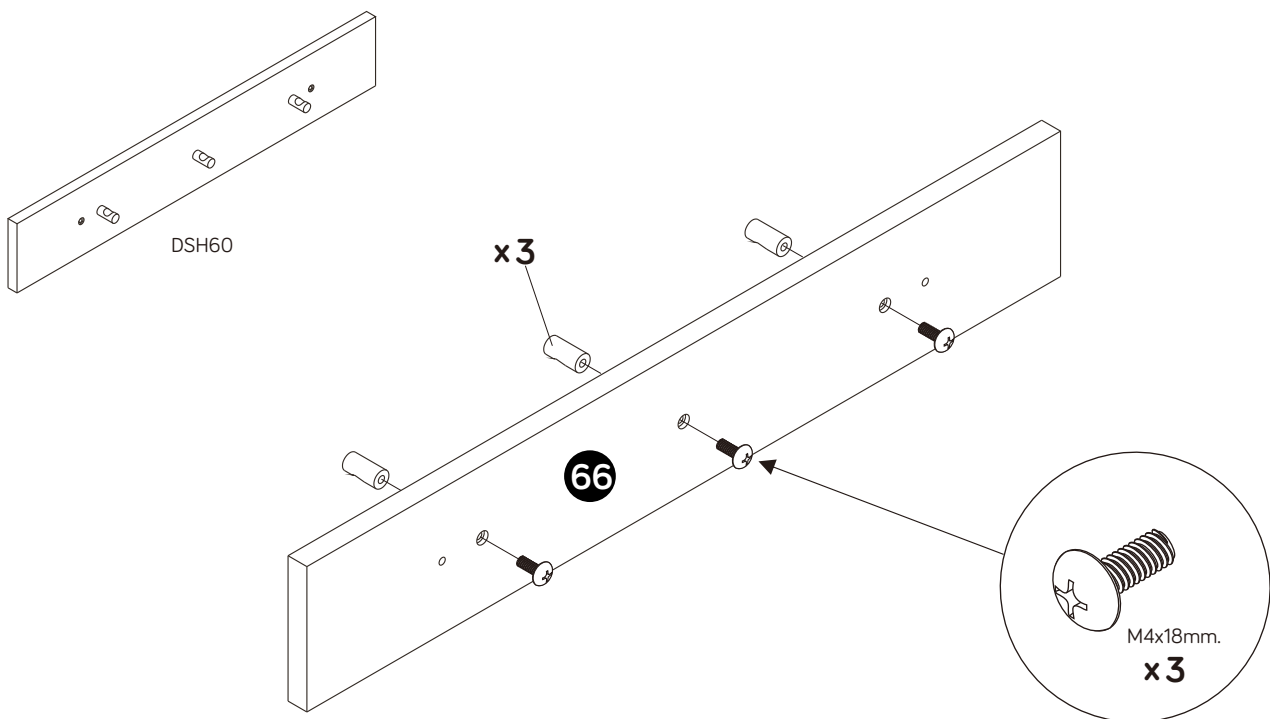
16.



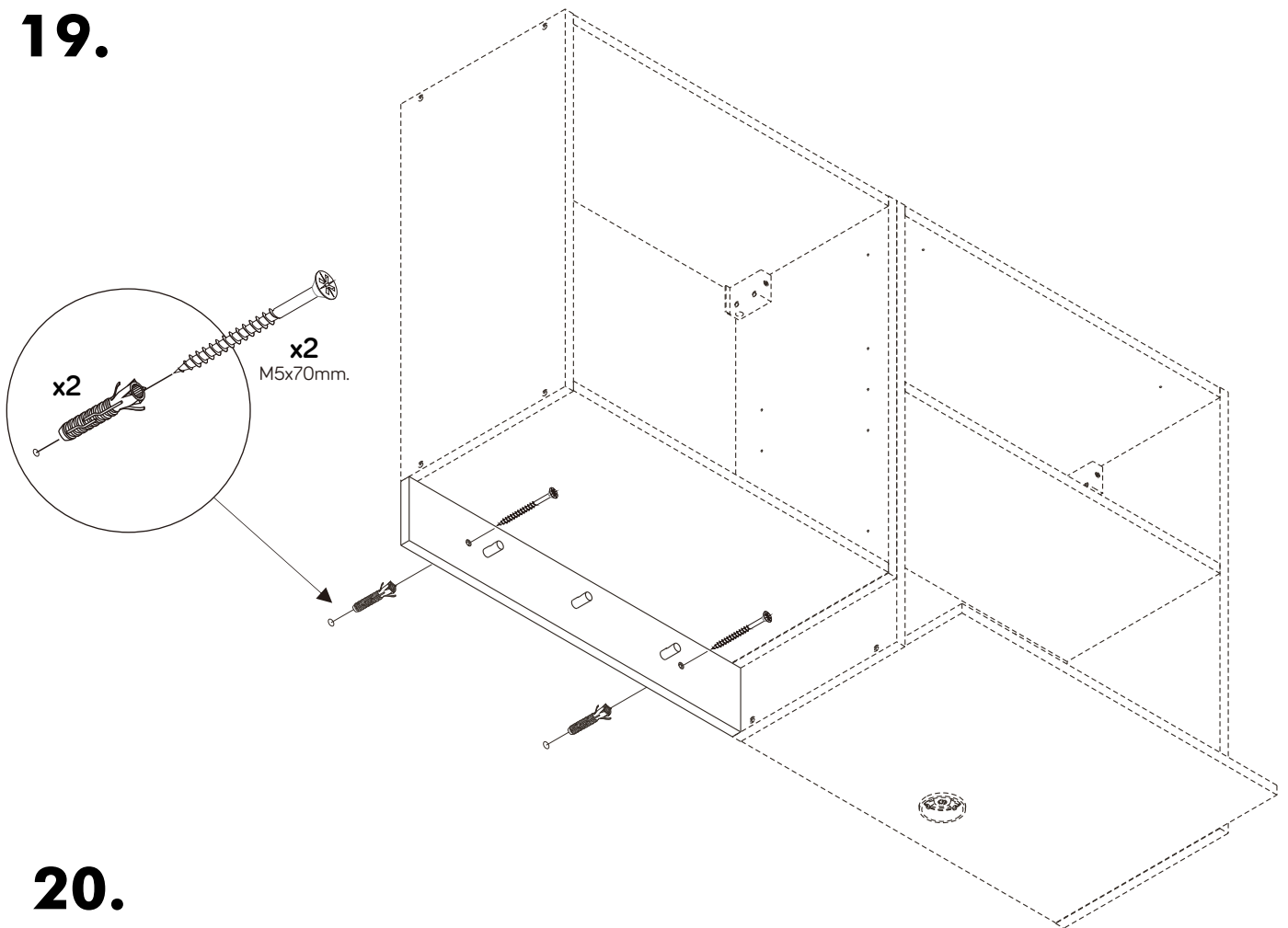
17.



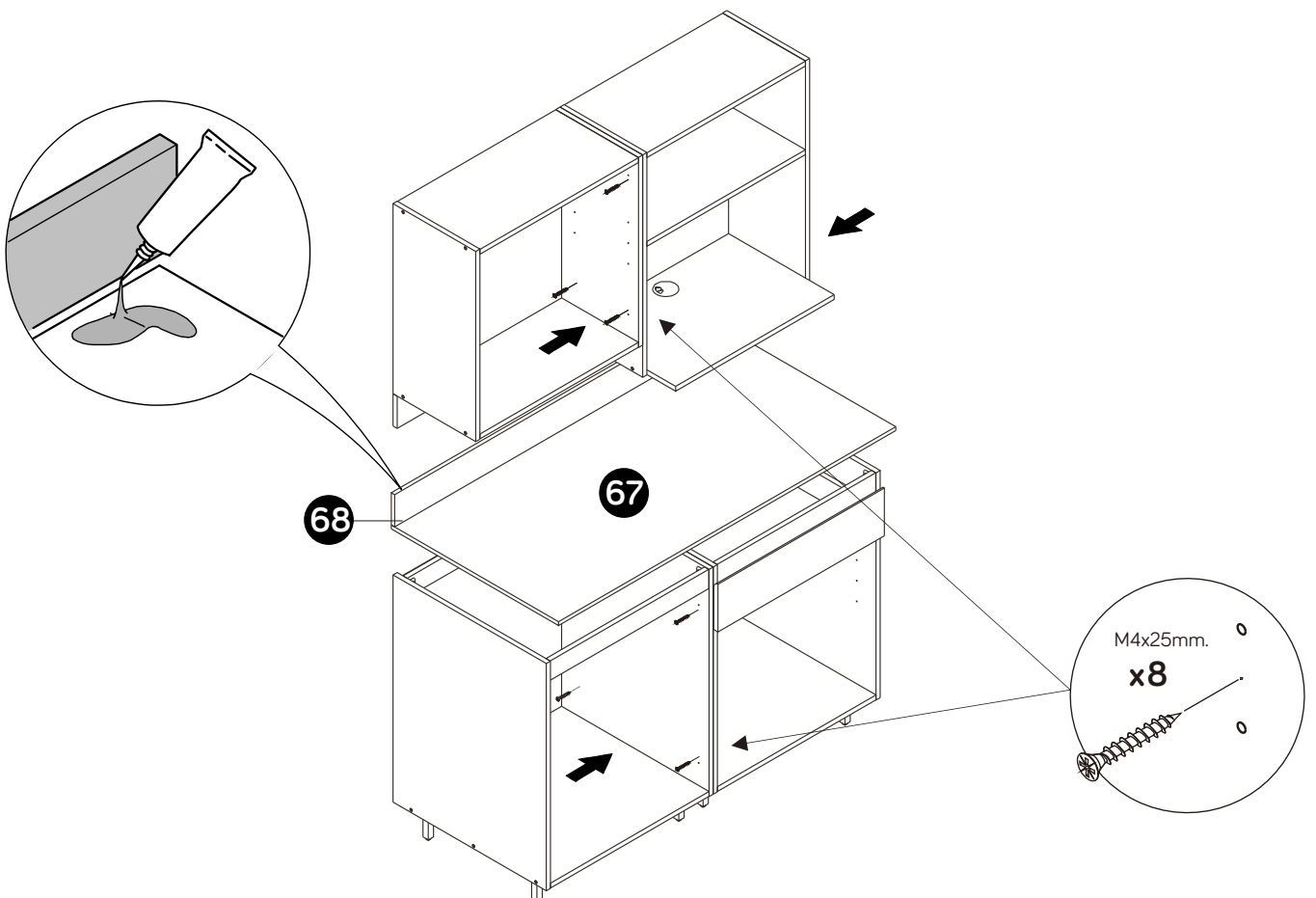
18.



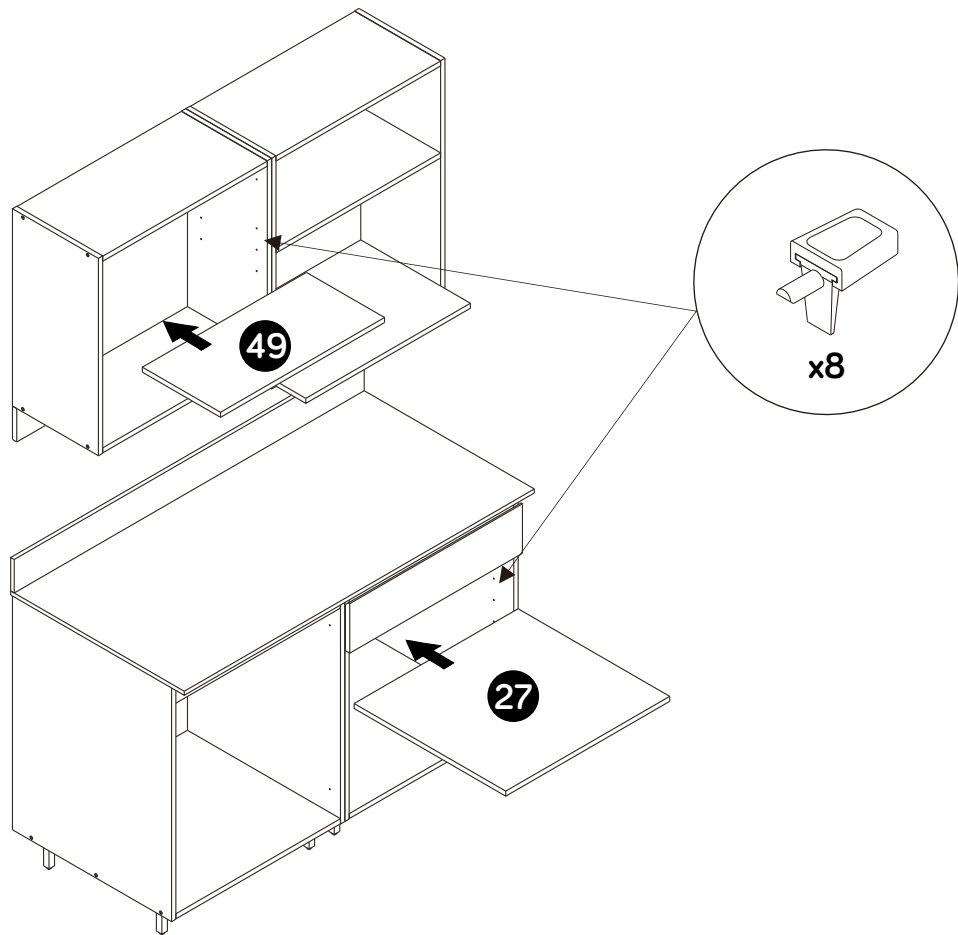
19.



20.



21.



22.

