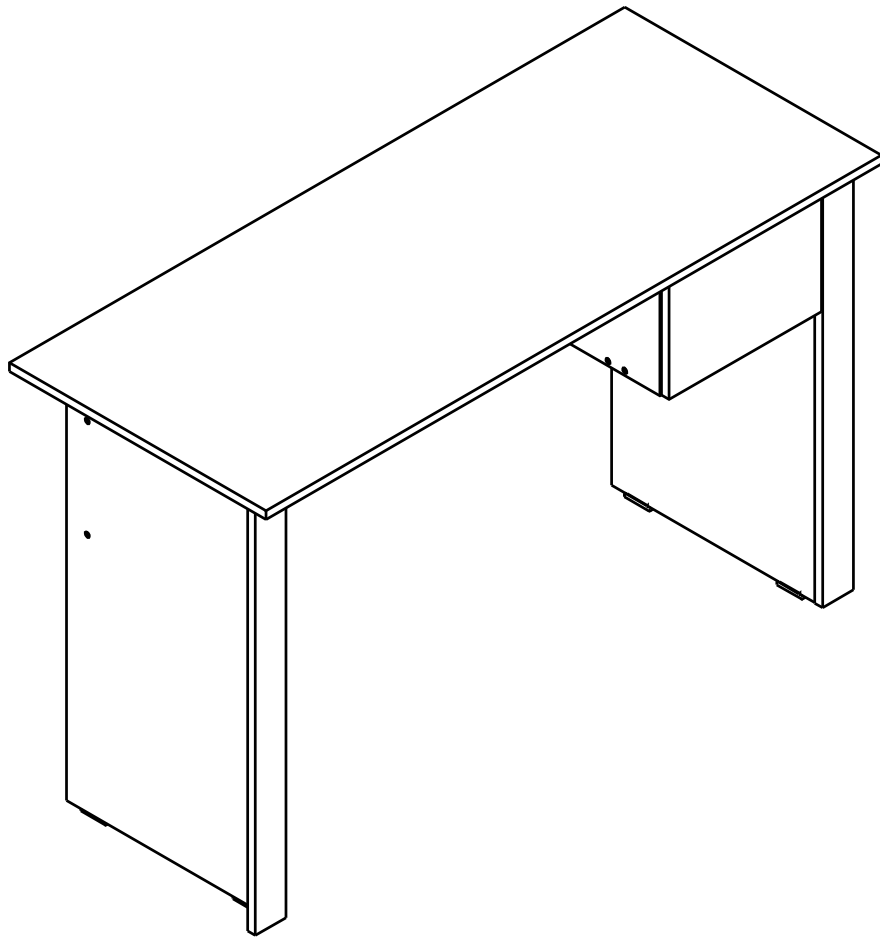


CHAMP

Champ M01 working table B 120 cm.



CONNECT SYSTEM

1

3

2

(Connecting bolts)

WHEN FITTING CAMS
ENSURE STARTING POSITION IS CORRECT
BEFORE YOU INSERT CONNECTING BOLT
TURN CLOCKWISE UNTIL SECURE

✓

↑

CORRECT

✗

↓

WRONG

1 Pc. $\leq 190\text{mm.}$

2 Pcs. $\geq 191-850\text{mm.}$

3 Pcs. $> 850-2000\text{mm.}$

4 Pcs. $> 2001\text{mm.}$

i

40mm.

OUT

IN

M4x16mm.

M3.5x13mm.

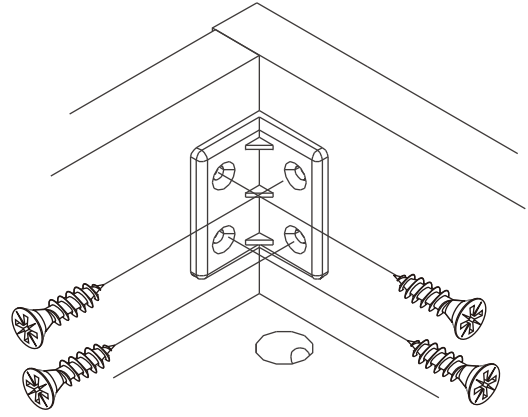
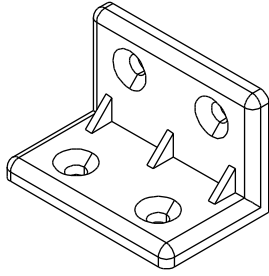
1

28mm.

Use these holes

2

Use these holes

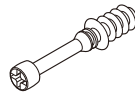


HARDWARE

-BODY SET



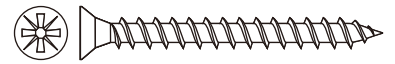
x 13



x 8



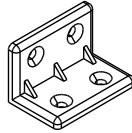
x 8



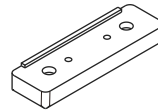
x 14



x 32

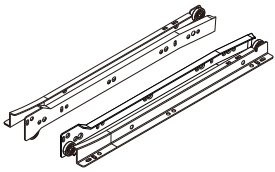


x 6

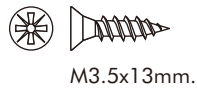


x 4

-DOOR SET



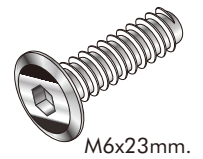
x 1



x 14



x 8

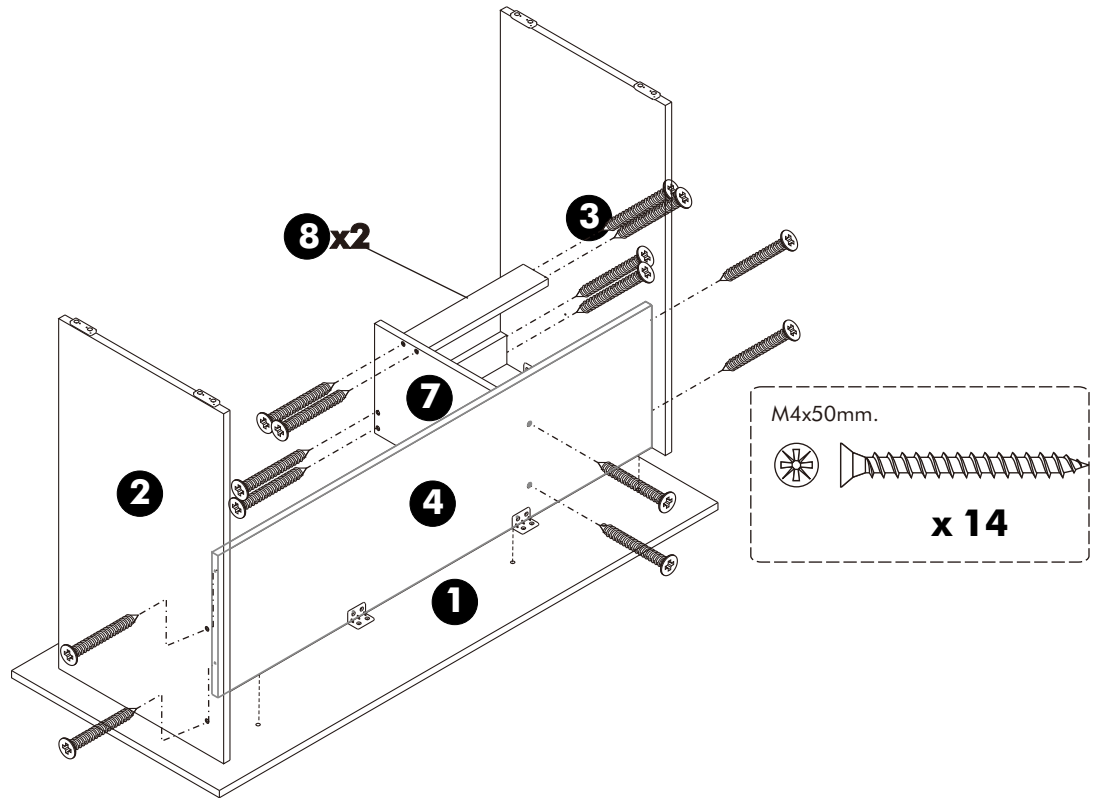


x 2

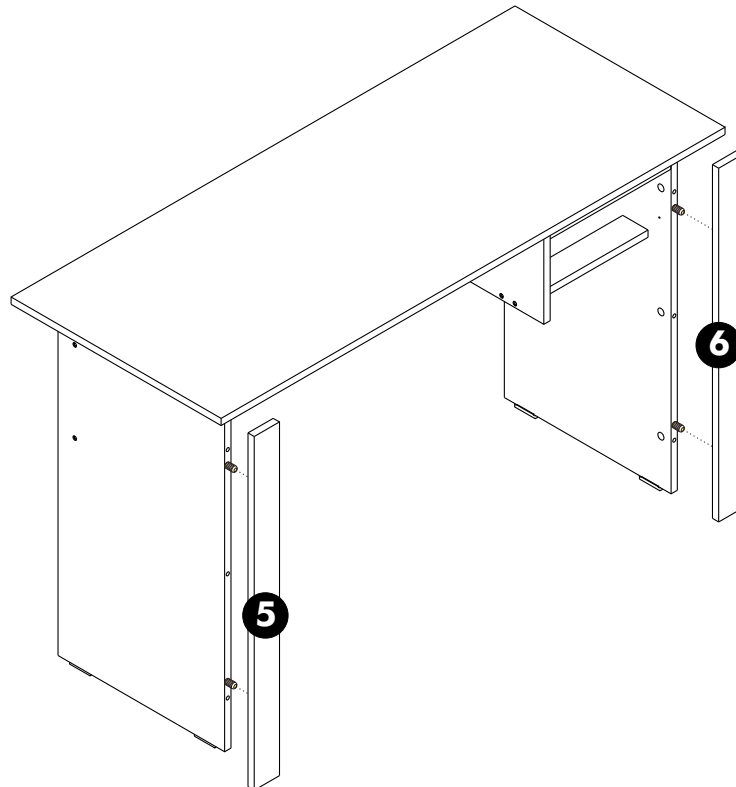
ASSEMBLY

-BODY SET

1.

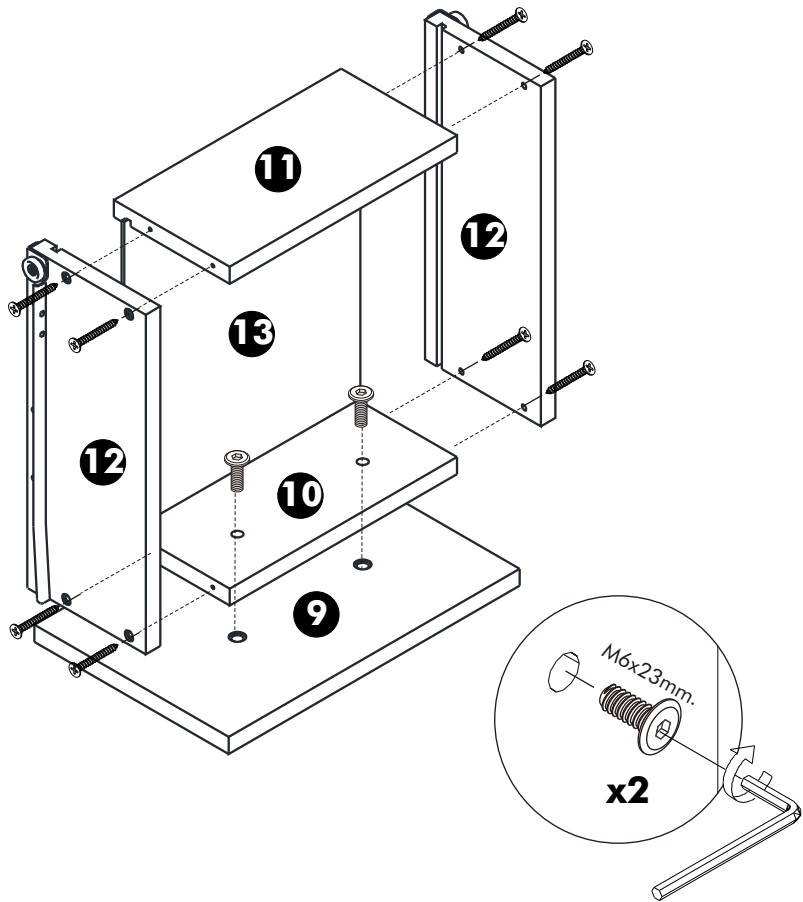
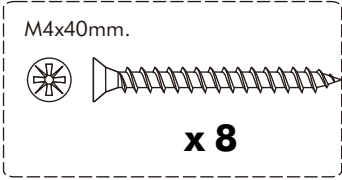


2.



3. ASSEMBLY

-DOOR SET



4.

