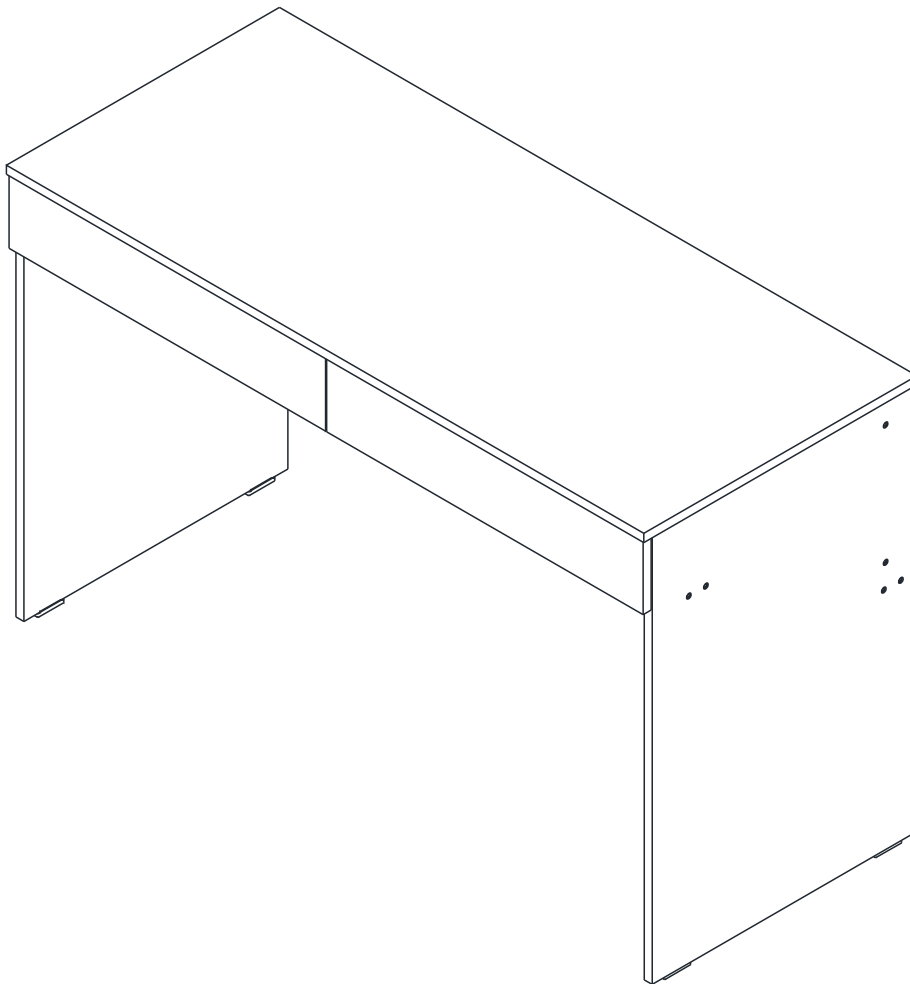


CHAMP

Champ G01 working table 120 cm.



CONNECT SYSTEM

1

3

2

(Connecting bolts)

WHEN FITTING CAMS
 ENSURE STARTING POSITION IS CORRECT
 BEFORE YOU INSERT CONNECTING BOLT
 TURN CLOCKWISE UNTIL SECURE

✓

↑

CORRECT

✗

↓

WRONG

M4x16mm.

M4x16mm.

i

40mm.

☹

✗

EQ

☺

✓

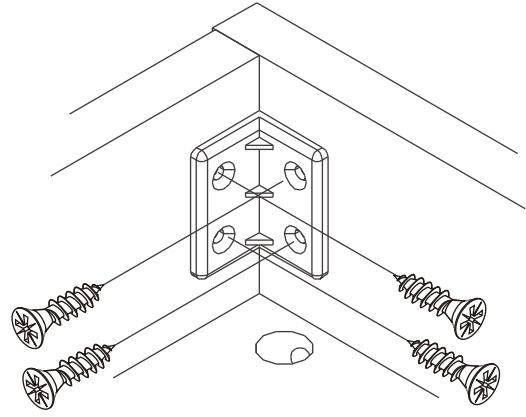
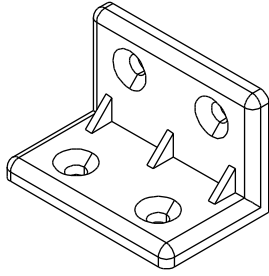
M3.5x13mm.

28mm. **1**

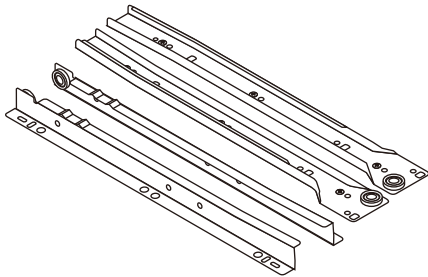
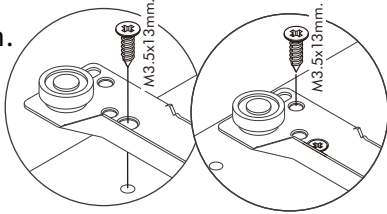
Use these holes

2

Use these holes

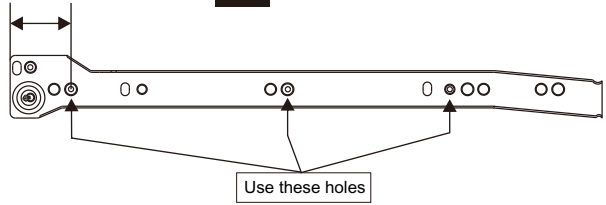


M3.5x13mm.

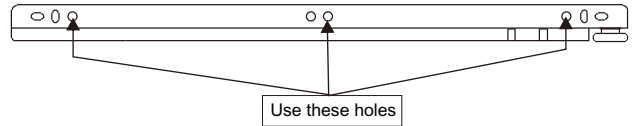


37mm.

1



2

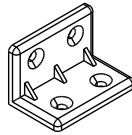


HARDWARE

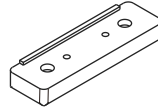
-BODY SET



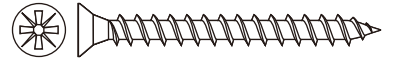
x 9



x 8



x 4



M4x50mm.

x 18



M4x16mm.

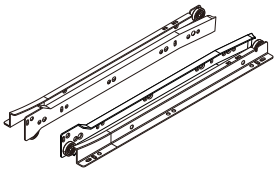
x 40



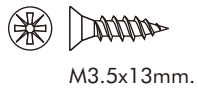
Ø 11mm.

x 12

-DOOR SET



x 2



M3.5x13mm.

x 28



M4x40mm.

x 20



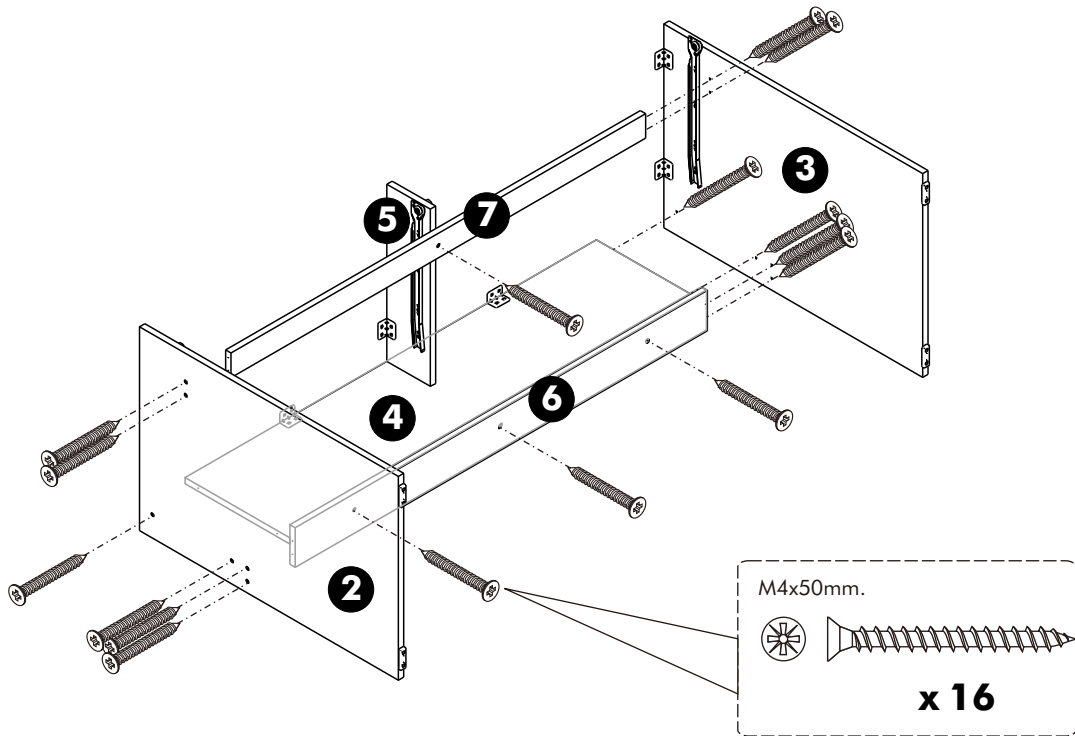
M6x23mm.

x 4

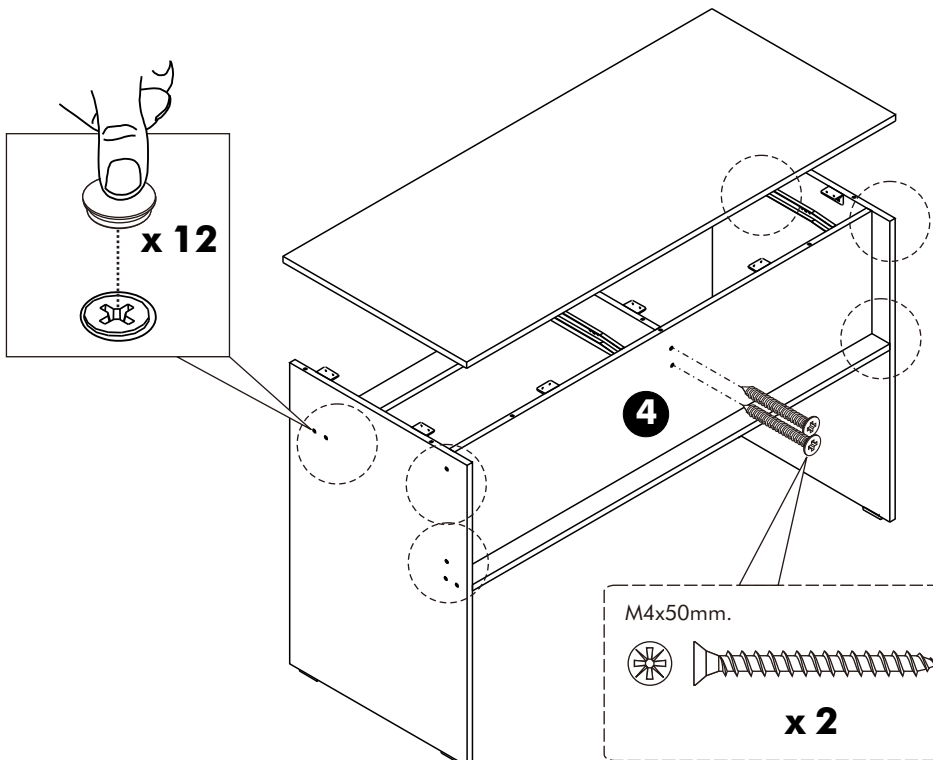
ASSEMBLY

-BODY SET

1.



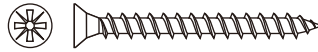
2.



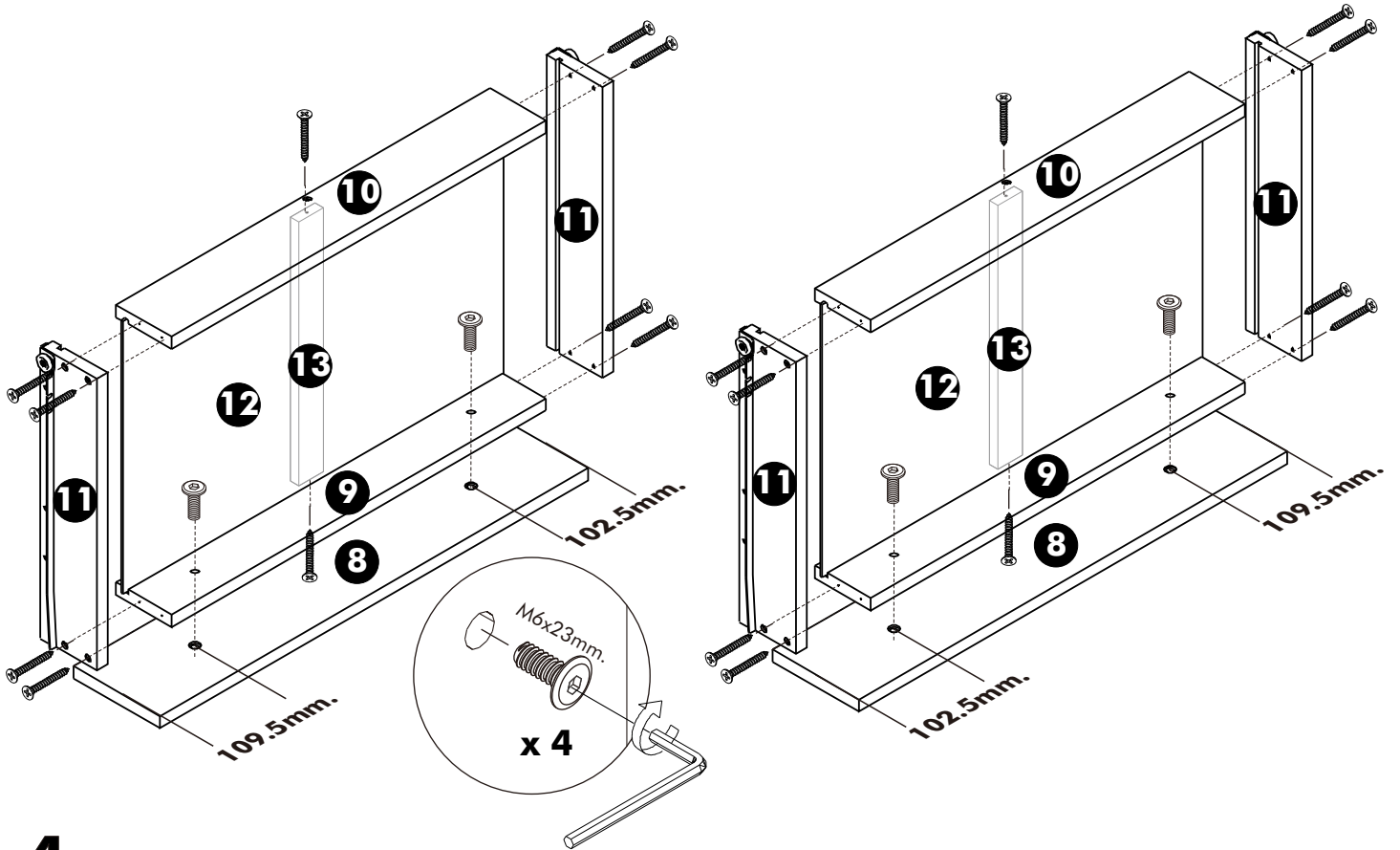
3. ASSEMBLY

-DOOR SET

M4x40mm.



x 20



4.

