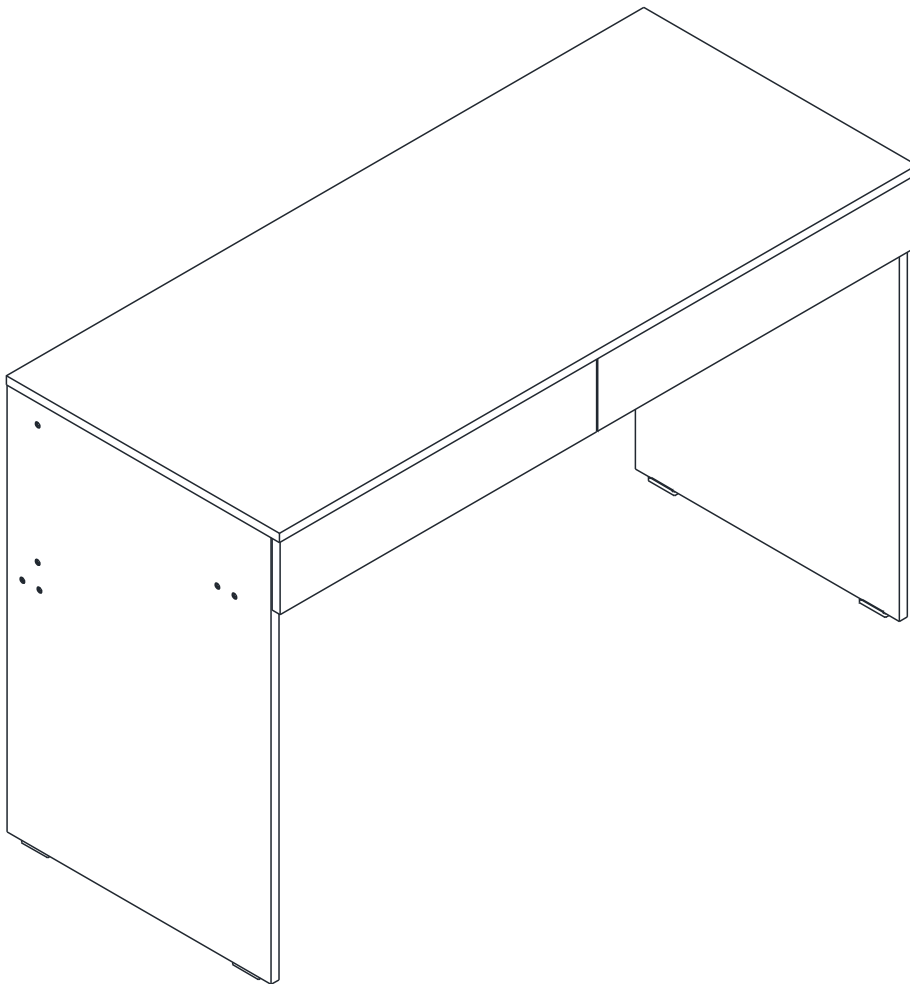
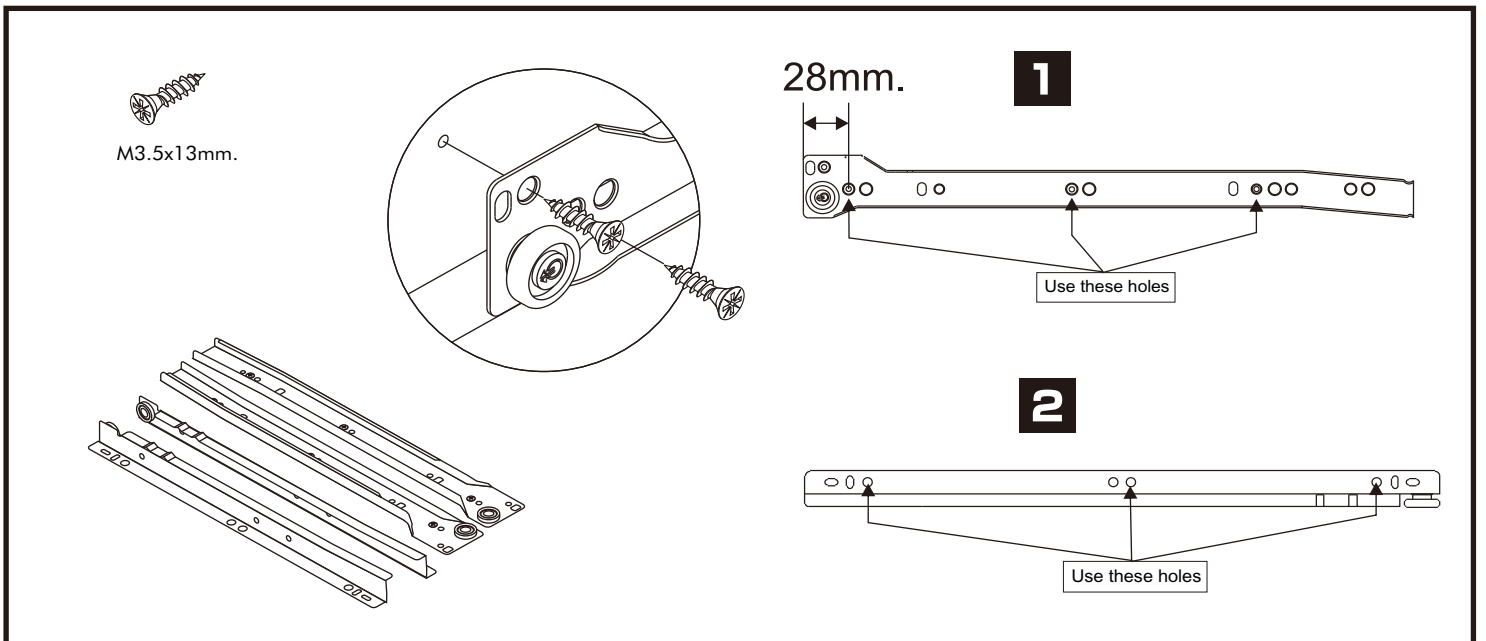
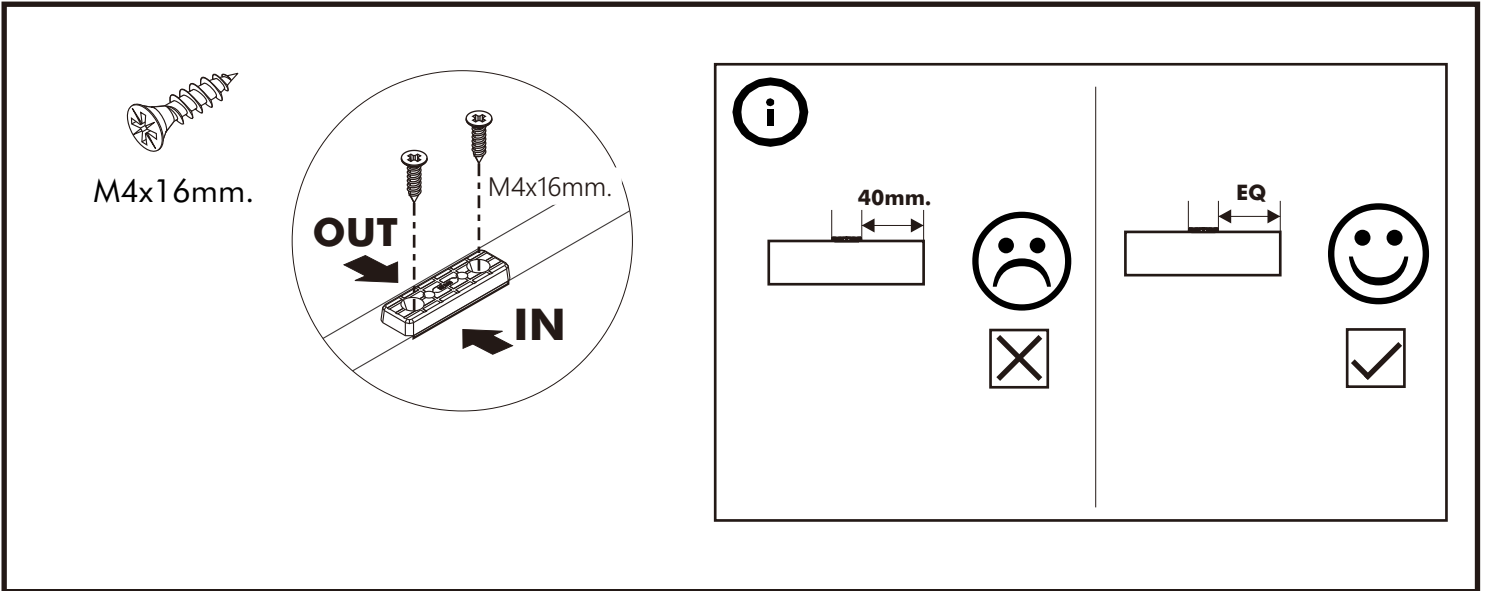
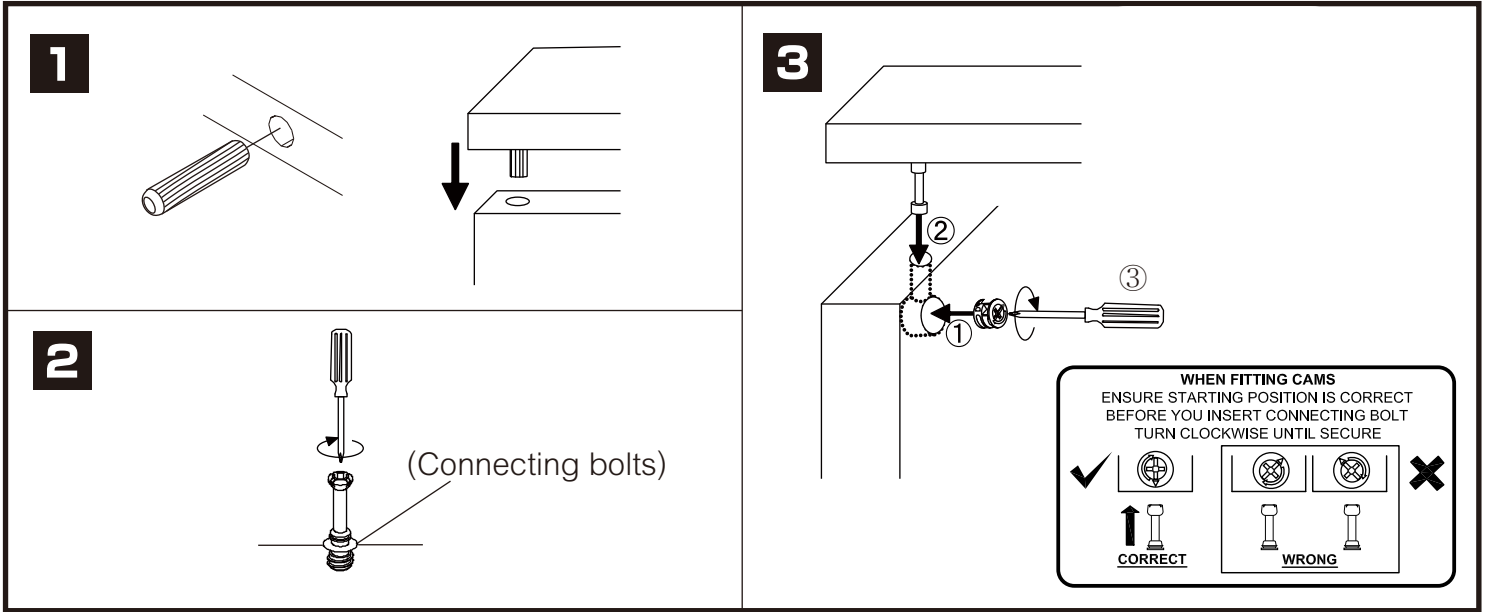


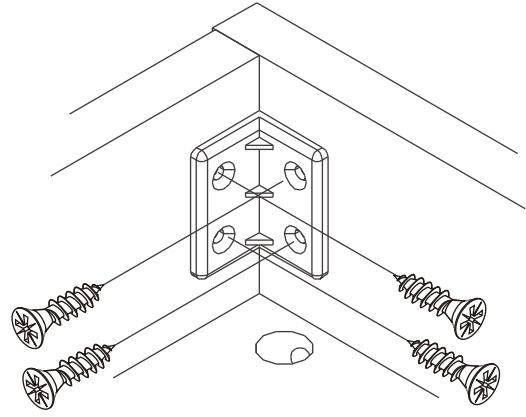
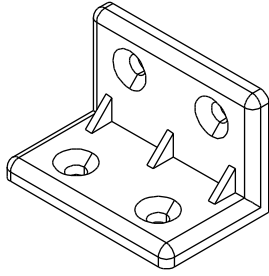
CHAMP

Champ M01 working table A 120 cm.

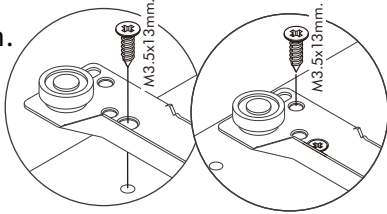


CONNECT SYSTEM



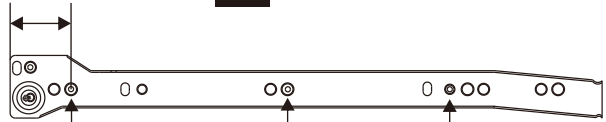


M3.5x13mm.



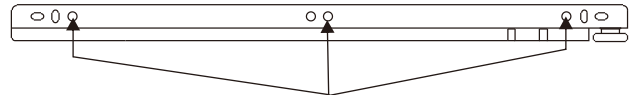
37mm.

1

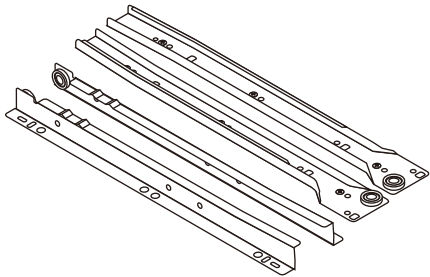


Use these holes

2



Use these holes

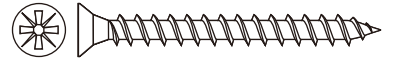
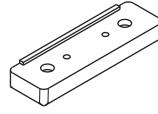
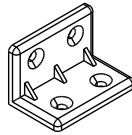


HARDWARE

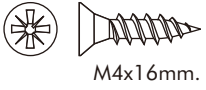
-BODY SET



x 9

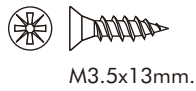
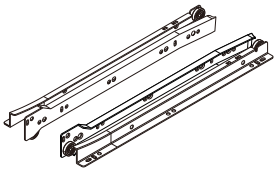


x 18



x 40

-DOOR SET



x 28



x 20

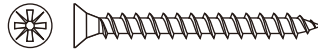


x 4

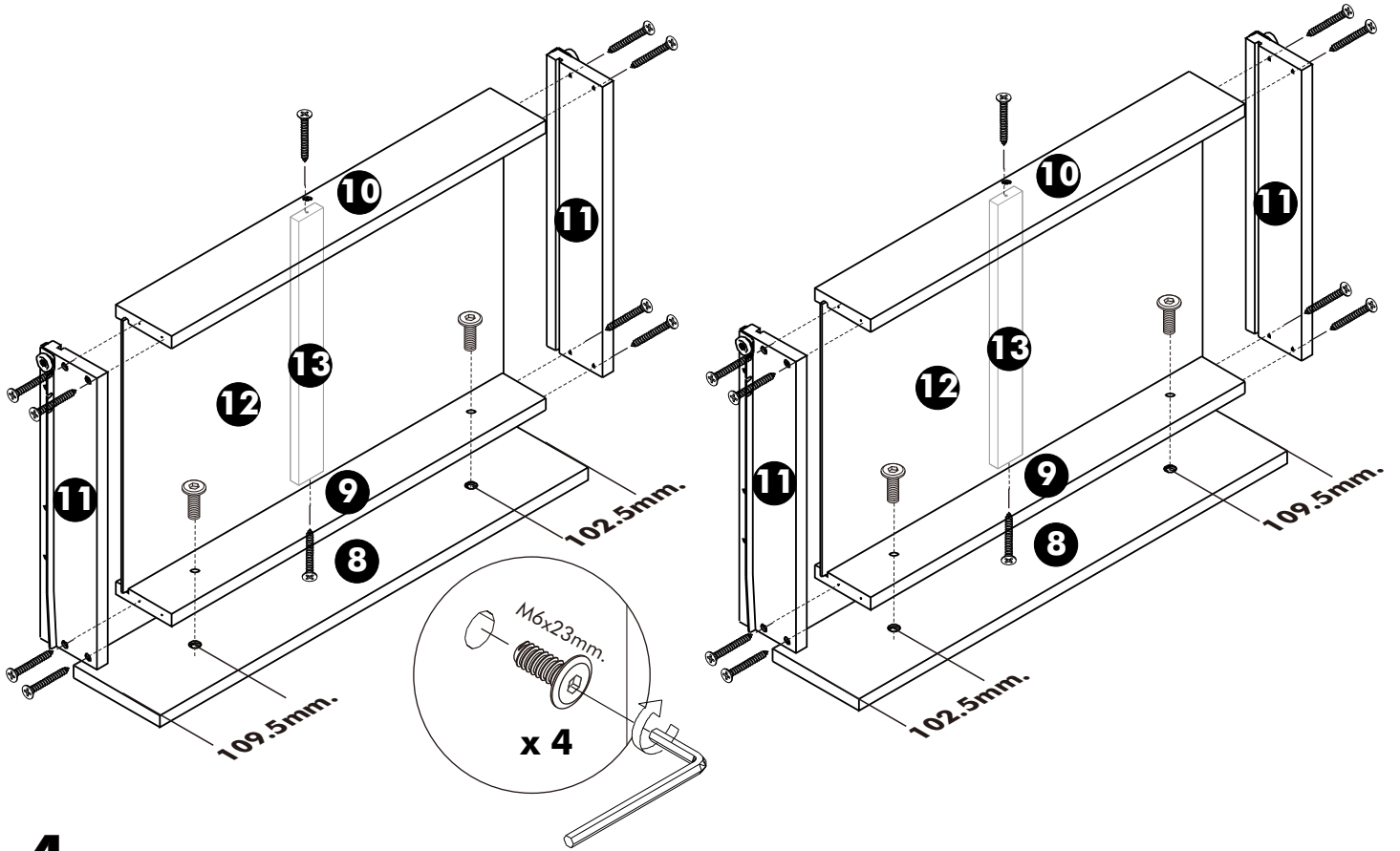
3. ASSEMBLY

-DOOR SET

M4x40mm.



x 20



4.

