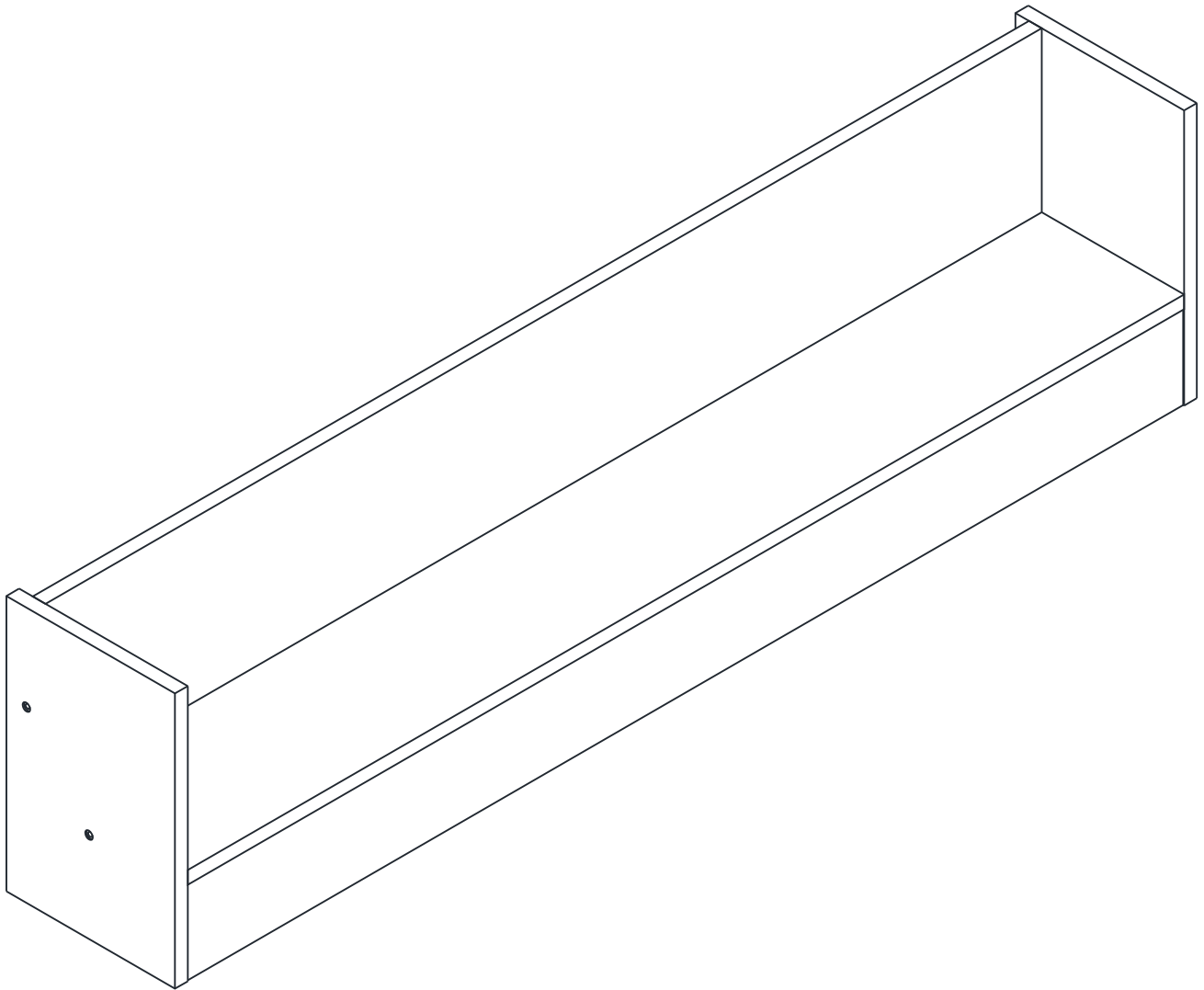


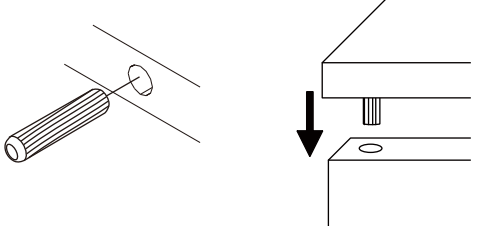
CHAMP G01

Shelf 120 cm.

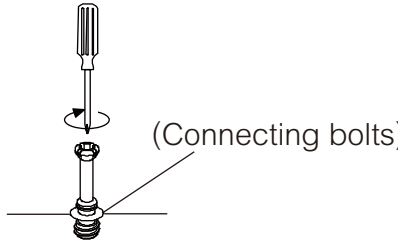


CONNECT SYSTEM

1

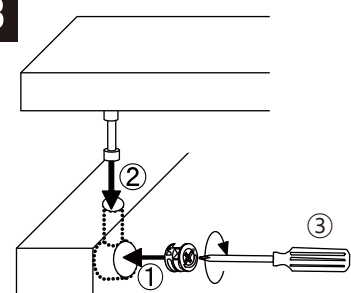


2

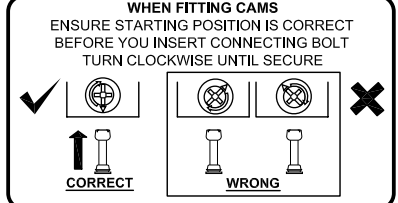


(Connecting bolts)

3



WHEN FITTING CAMS
ENSURE STARTING POSITION IS CORRECT
BEFORE YOU INSERT CONNECTING BOLT
TURN CLOCKWISE UNTIL SECURE

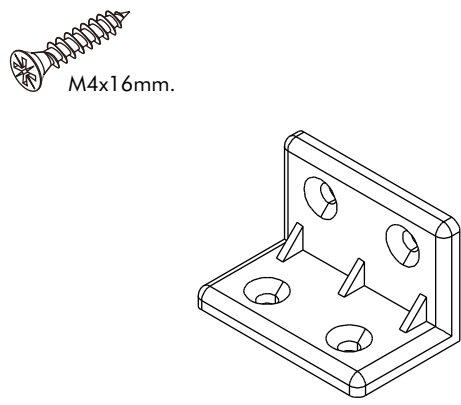


✓

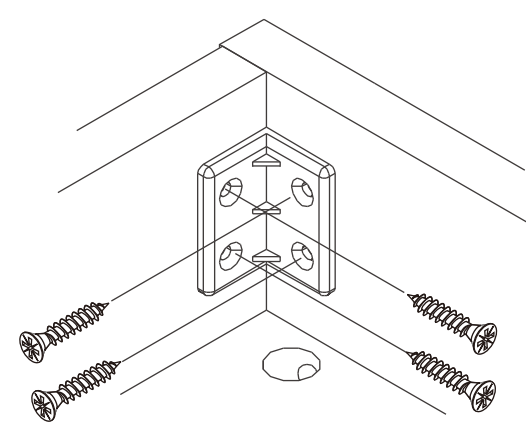
✗

↑ CORRECT

↓ WRONG



M4x16mm.

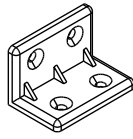


HARDWARE

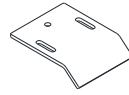
-BODY SET



x 8



x 5



x 4



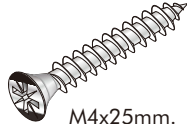
M4x50mm.

x 8



M4x16mm.

x 20



M4x25mm.

x 4



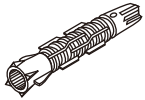
M4x16mm.

x 6



M5x50mm.

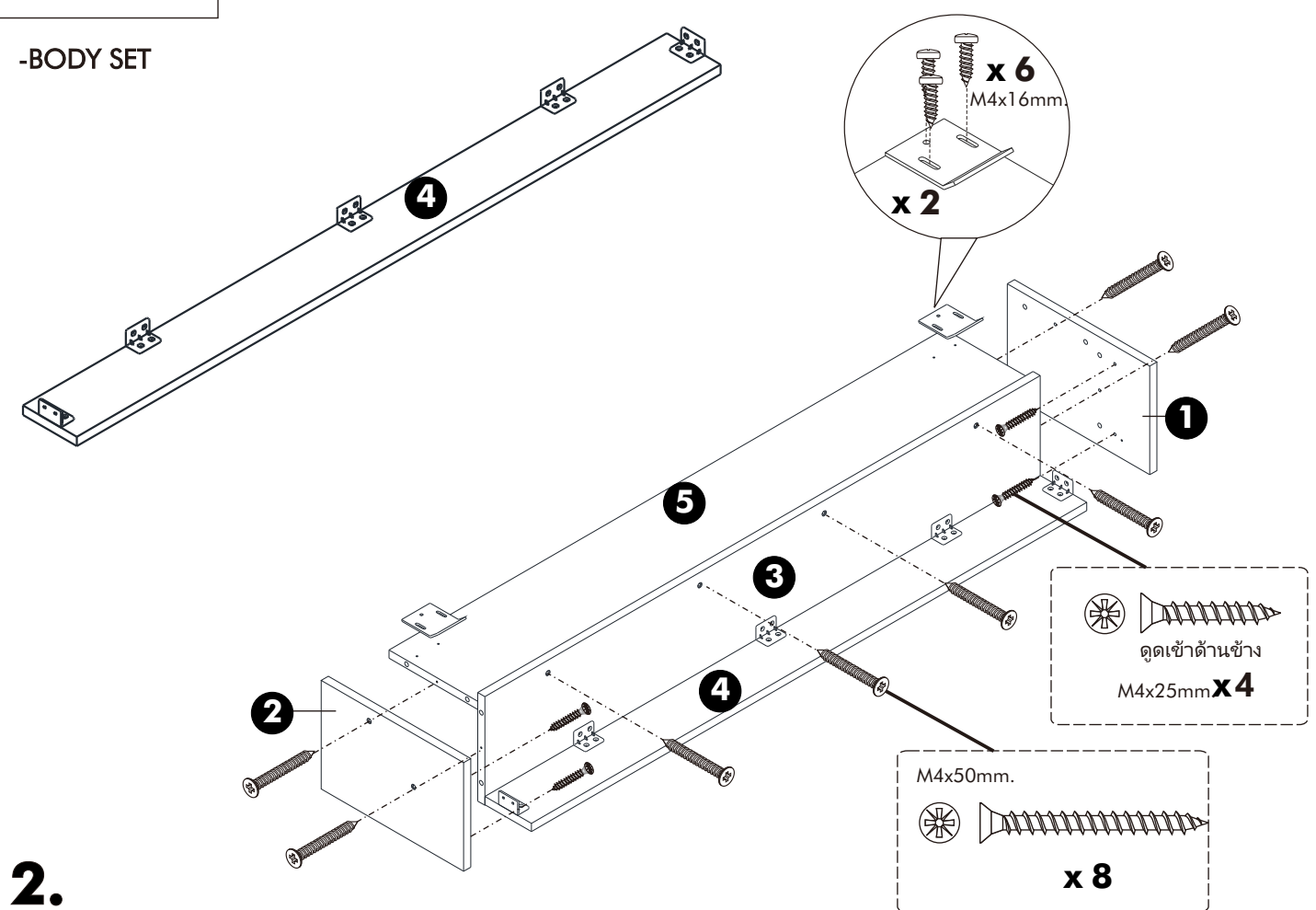
x 6



x 6

ASSEMBLY

-BODY SET



2.

