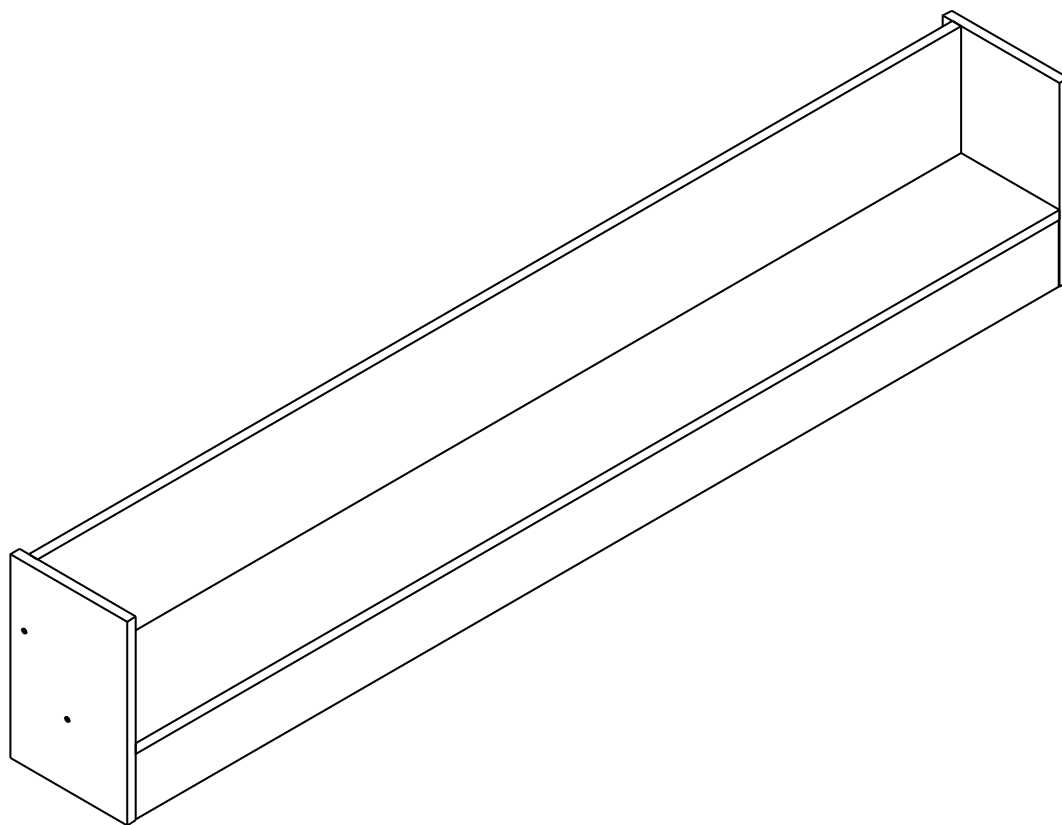


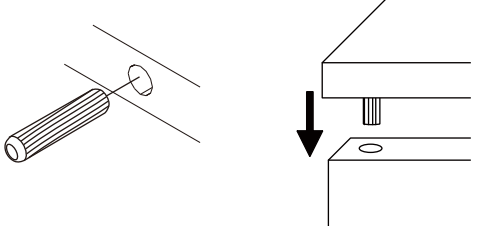
# CHAMP

**Champ M01 shelf 160 cm.**

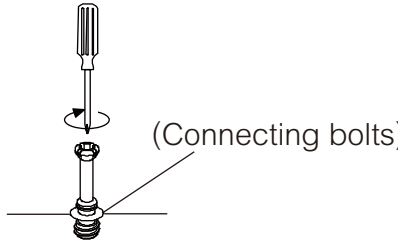


# CONNECT SYSTEM

**1**

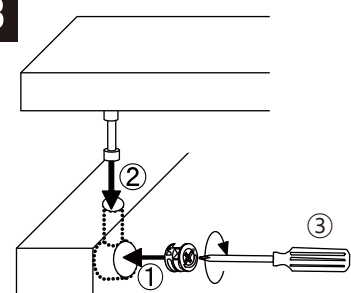


**2**

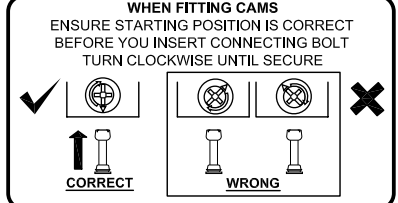





(Connecting bolts)



**3**



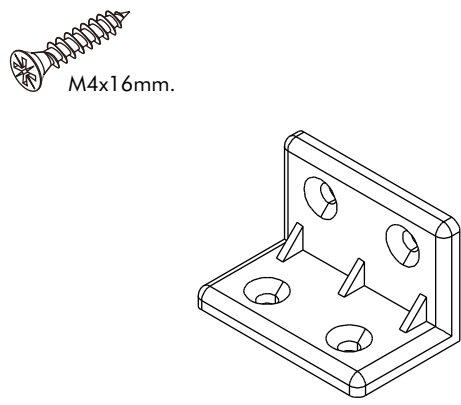
**WHEN FITTING CAMS**  
ENSURE STARTING POSITION IS CORRECT  
BEFORE YOU INSERT CONNECTING BOLT  
TURN CLOCKWISE UNTIL SECURE



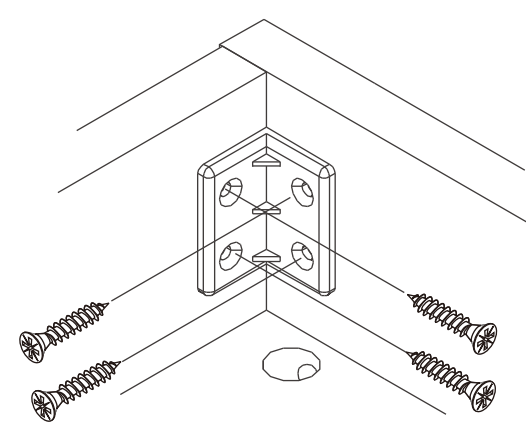
✓    ✗

↑  

CORRECT WRONG



M4x16mm.

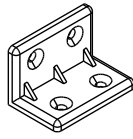


# HARDWARE

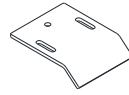
## -BODY SET



**x 8**



**x 6**



**x 4**



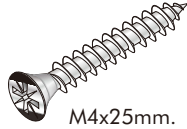
M4x50mm.

**x 8**



M4x16mm.

**x 24**



M4x25mm.

**x 4**



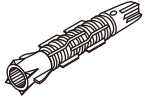
M4x16mm.

**x 6**



M5x50mm.

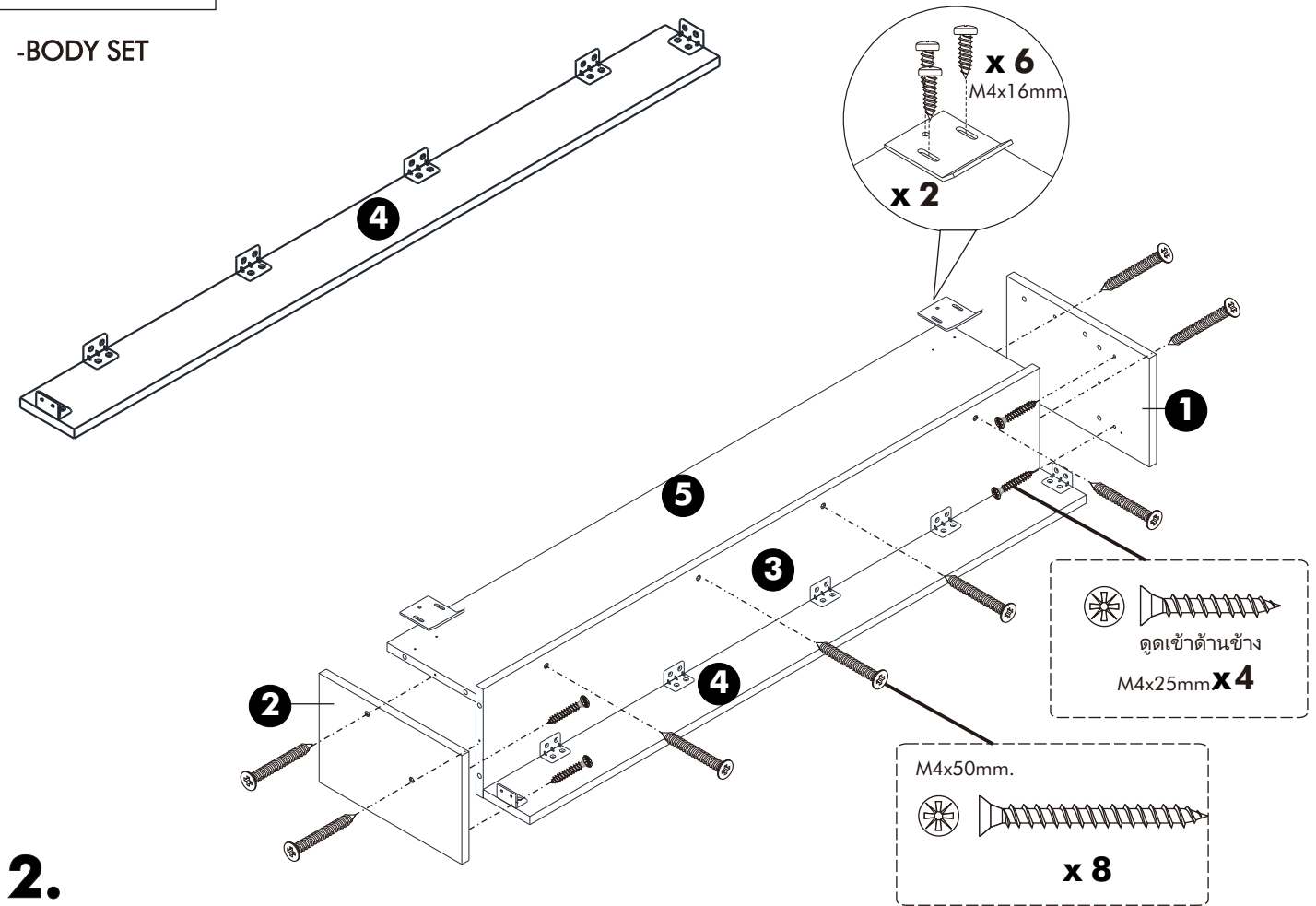
**x 6**



**x 6**

# ASSEMBLY

-BODY SET



**2.**

