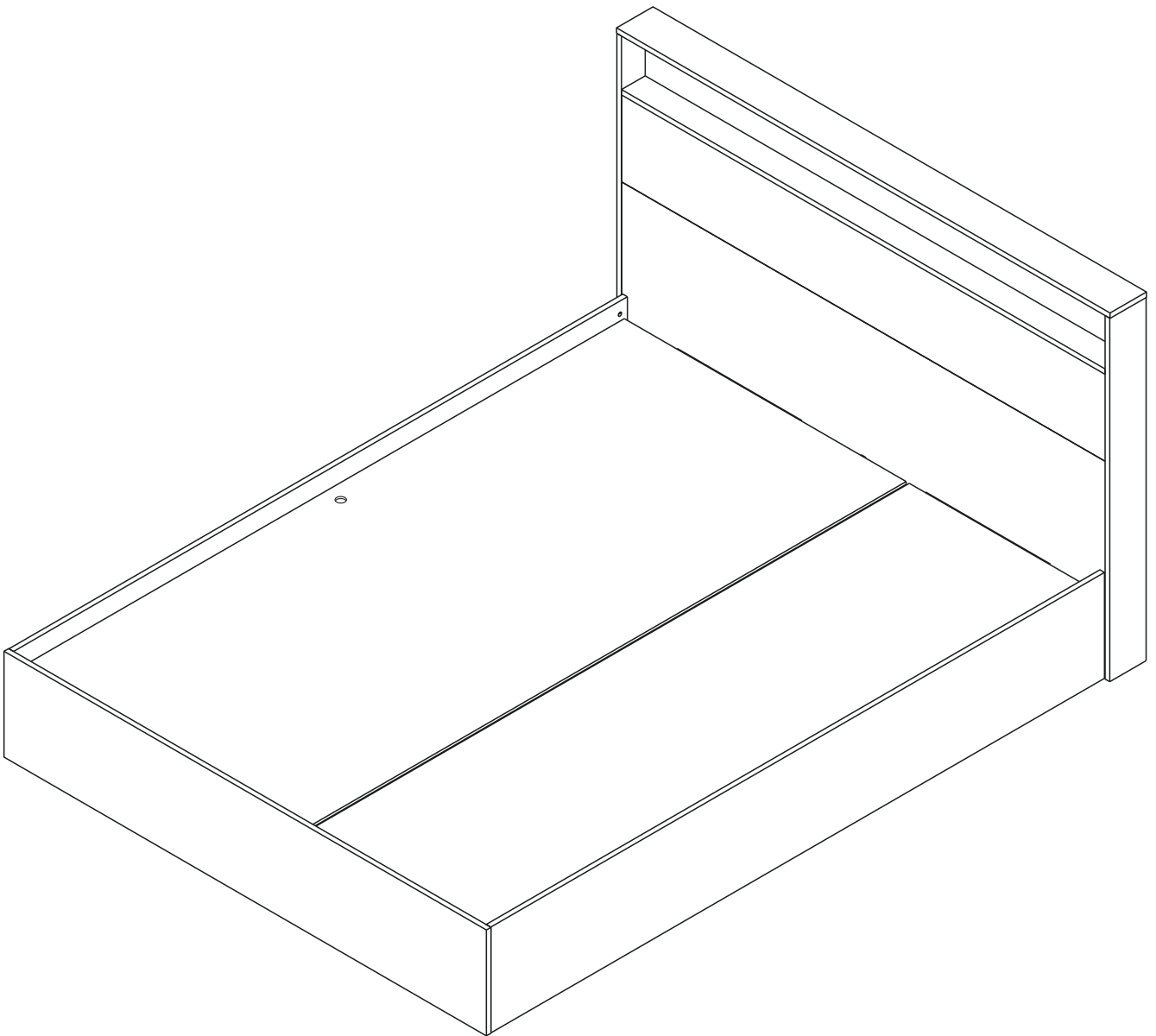
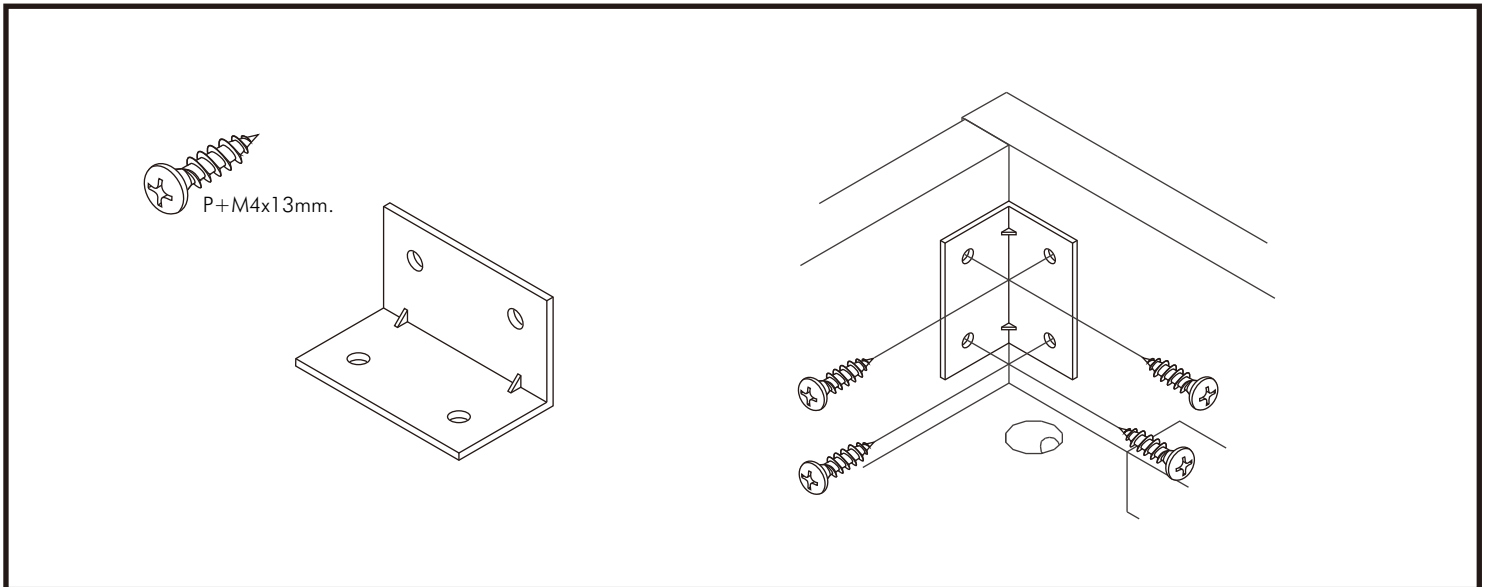
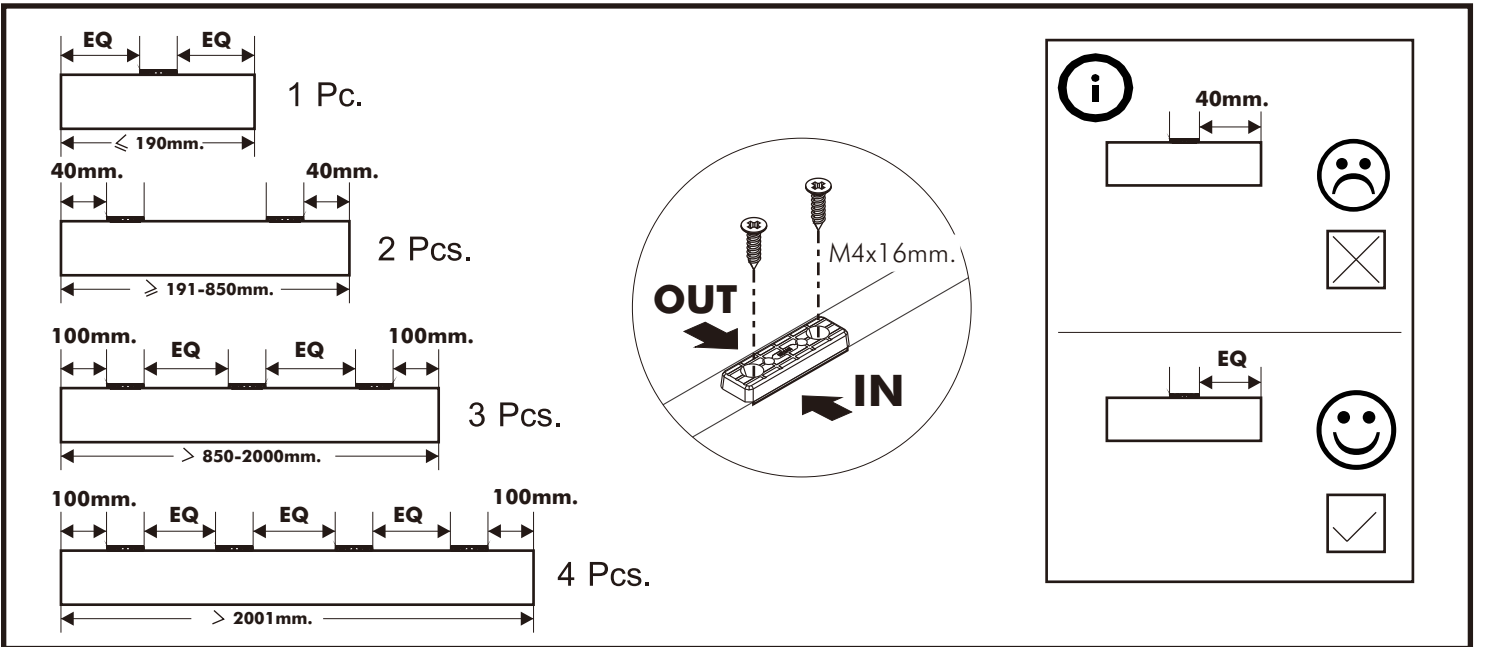
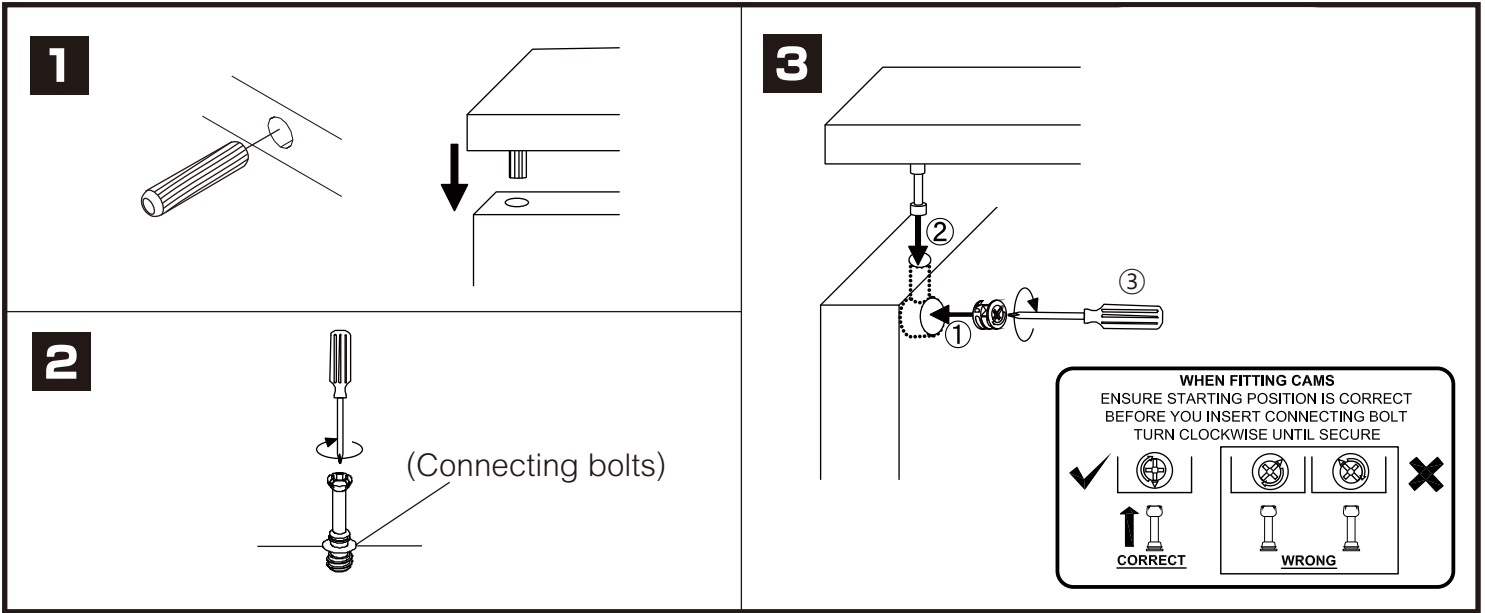


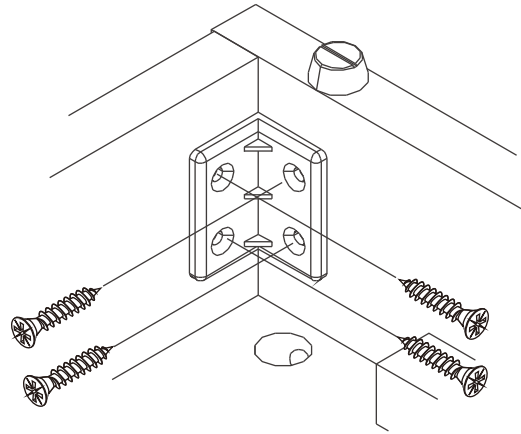
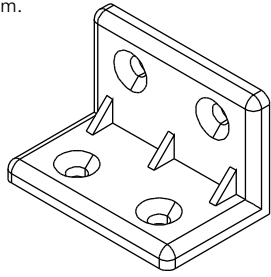
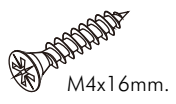
# CHAMP G01

**BED 5 ft.**



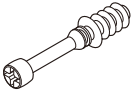
# CONNECT SYSTEM





# HARDWARE

## -BODY SET

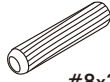


**x 6**



16mm.

**x 6**



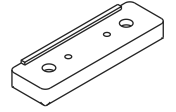
#8x35

**x 32**

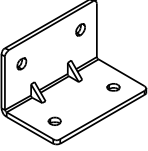


M4x16mm.

**x 168**



**x 26**

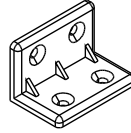


**x 8**



No.1

**x 3**

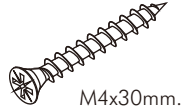


**x 29**



M4x16mm.

**x 3**



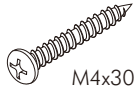
M4x30mm.

**x 30**



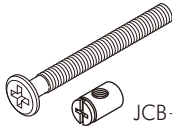
M4x13mm.

**x 32**



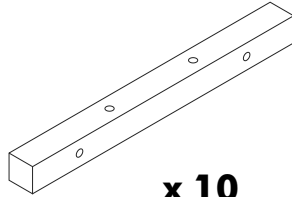
M4x30mm.

**x 40**



JCB+M6x60

**x 4**

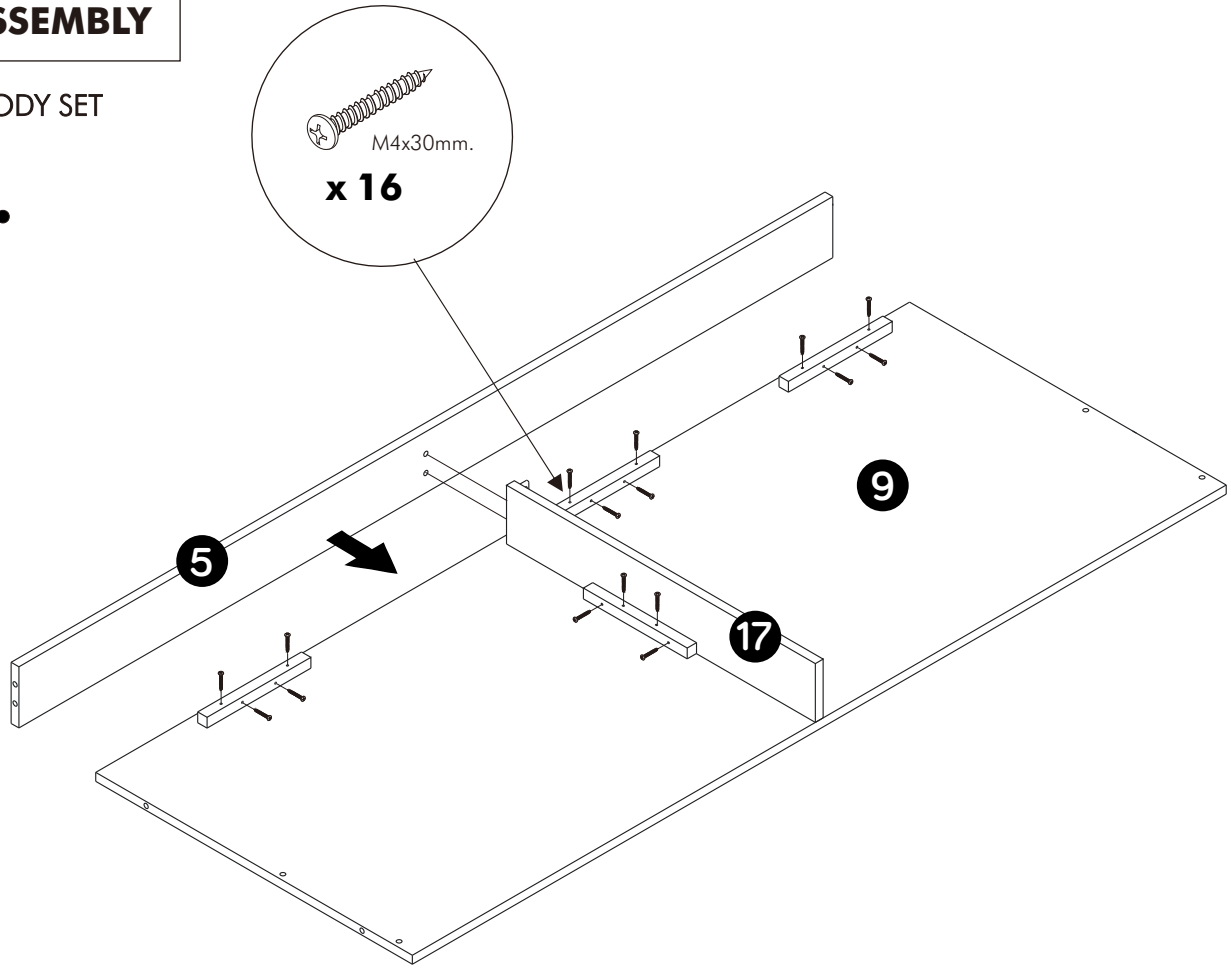


**x 10**

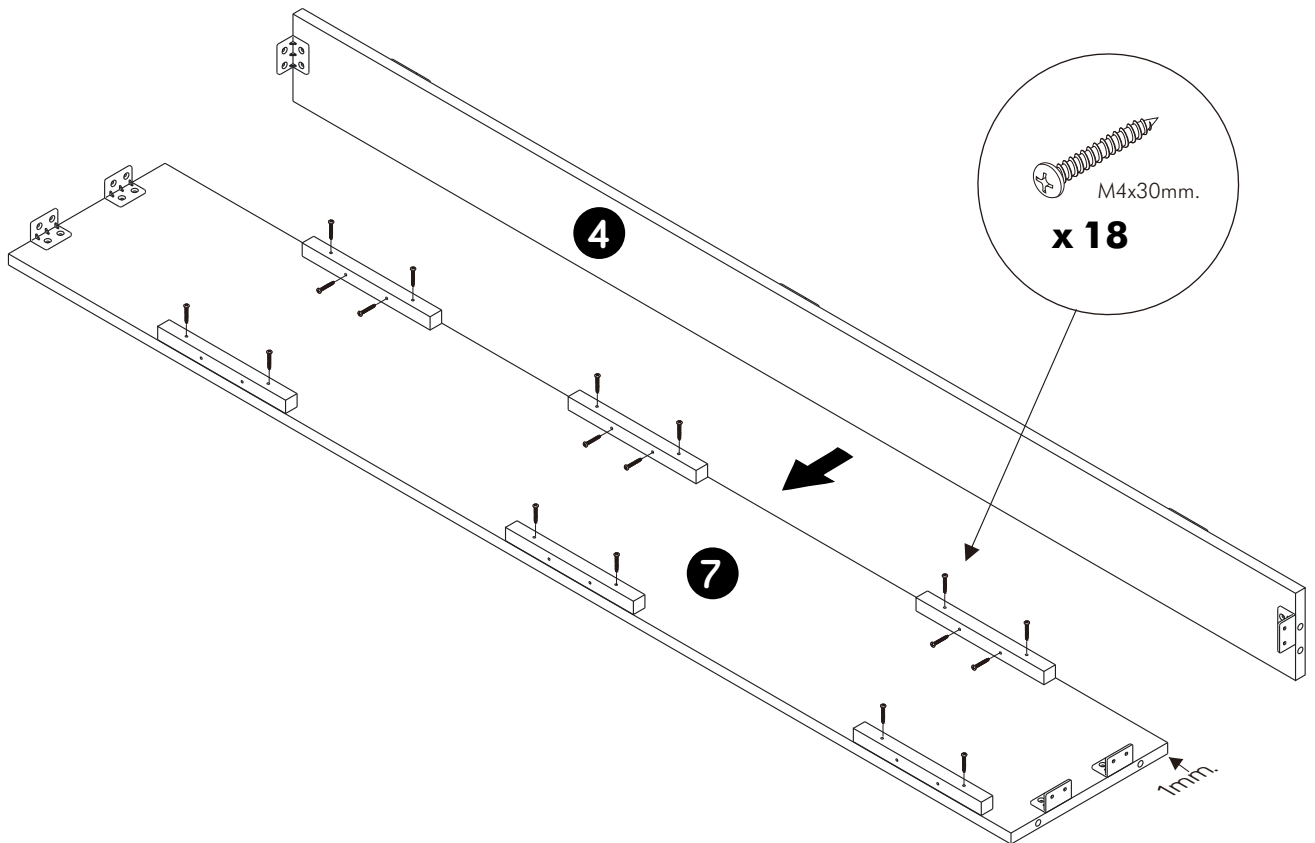
# ASSEMBLY

-BODY SET

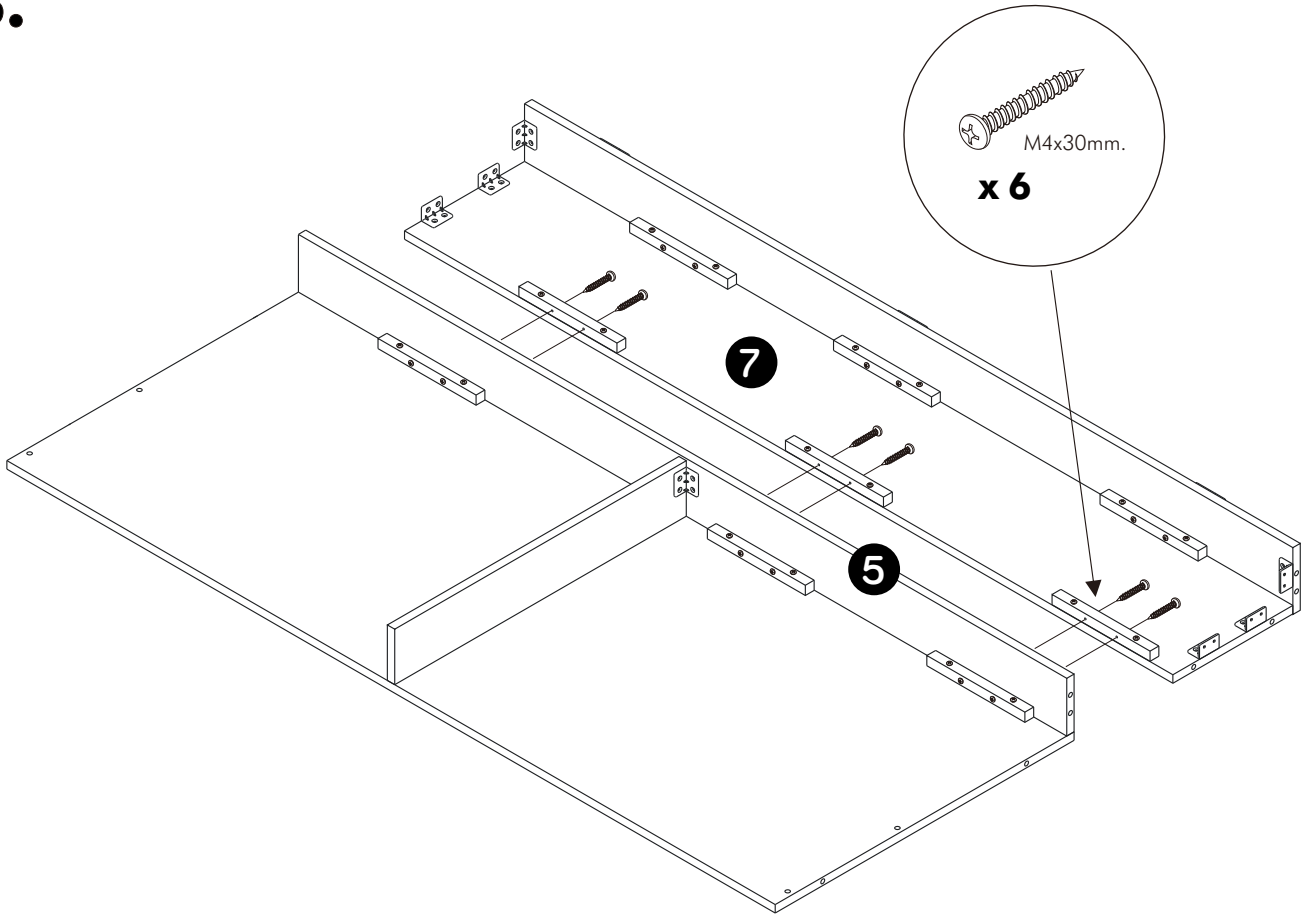
## 1.



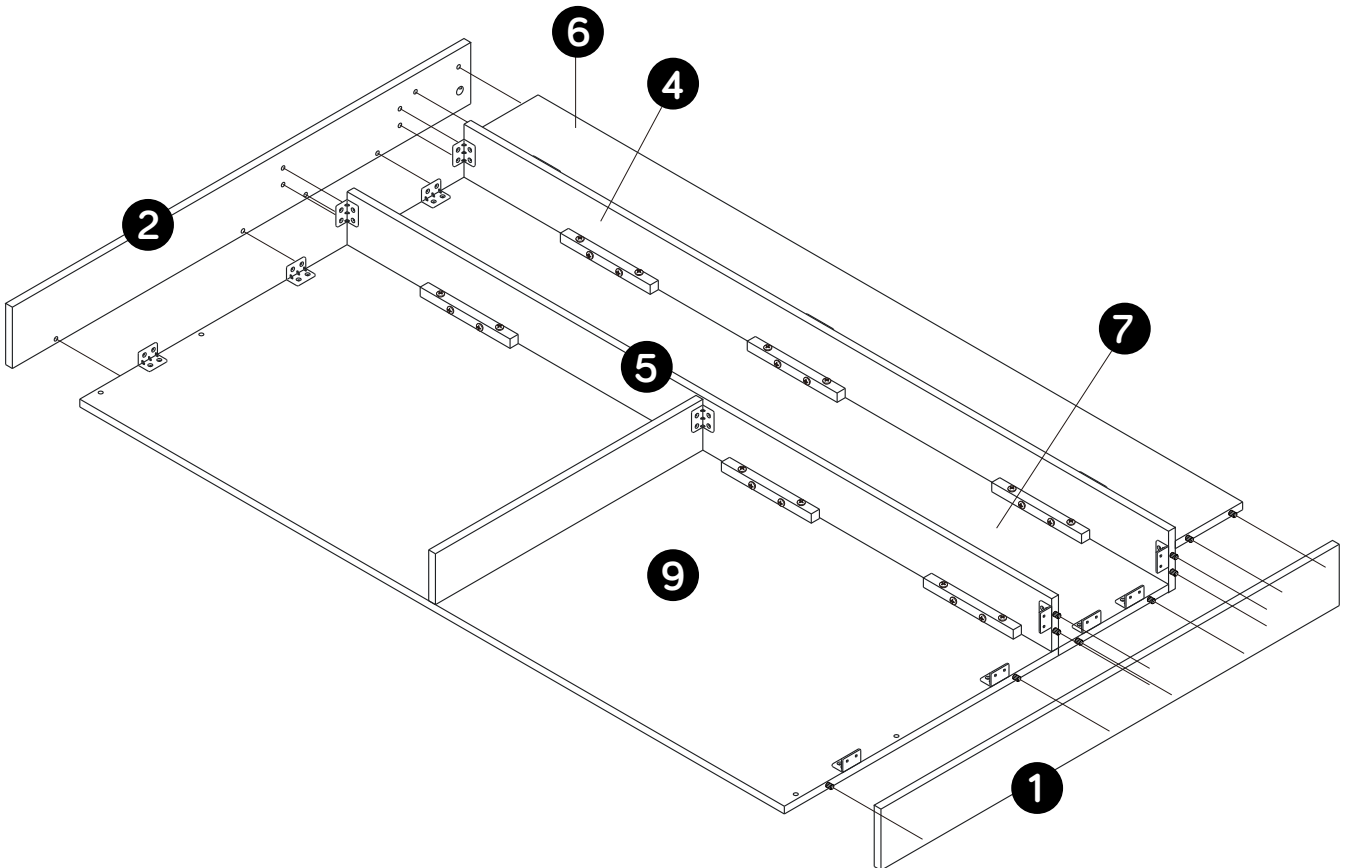
## 2.



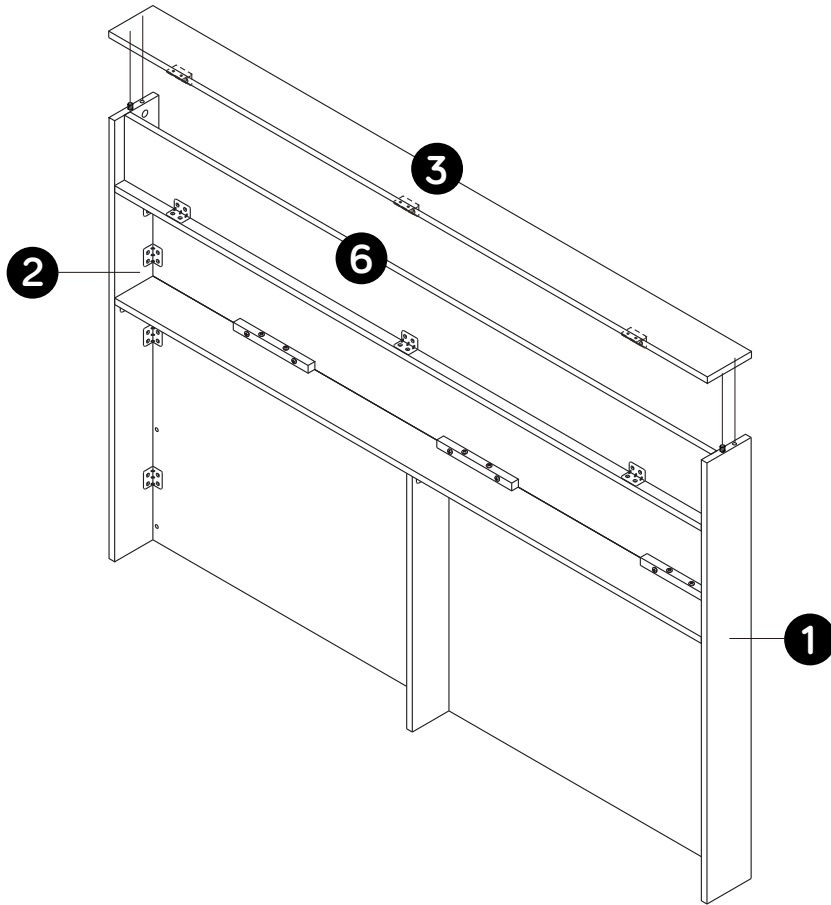
**3.**



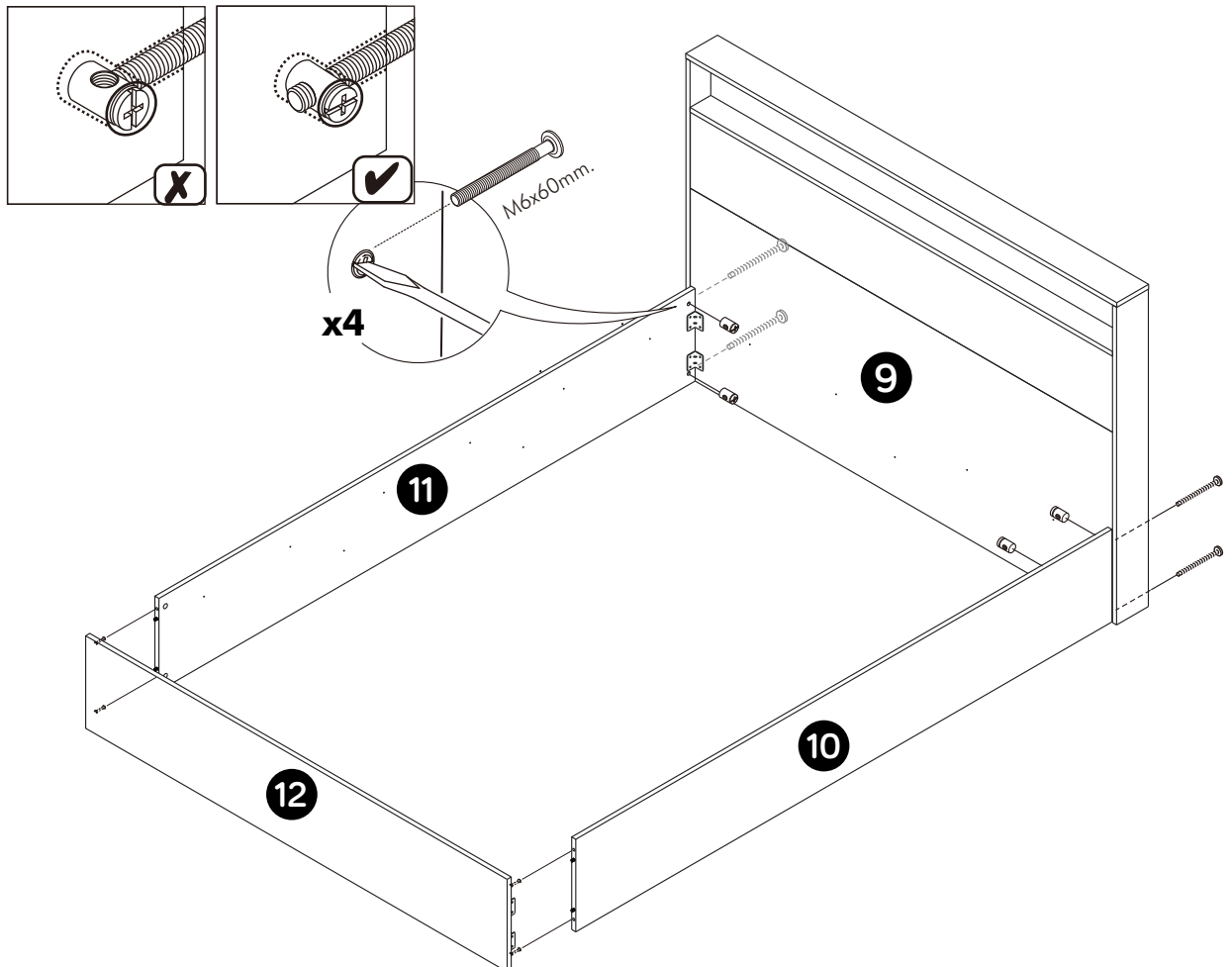
**4.**



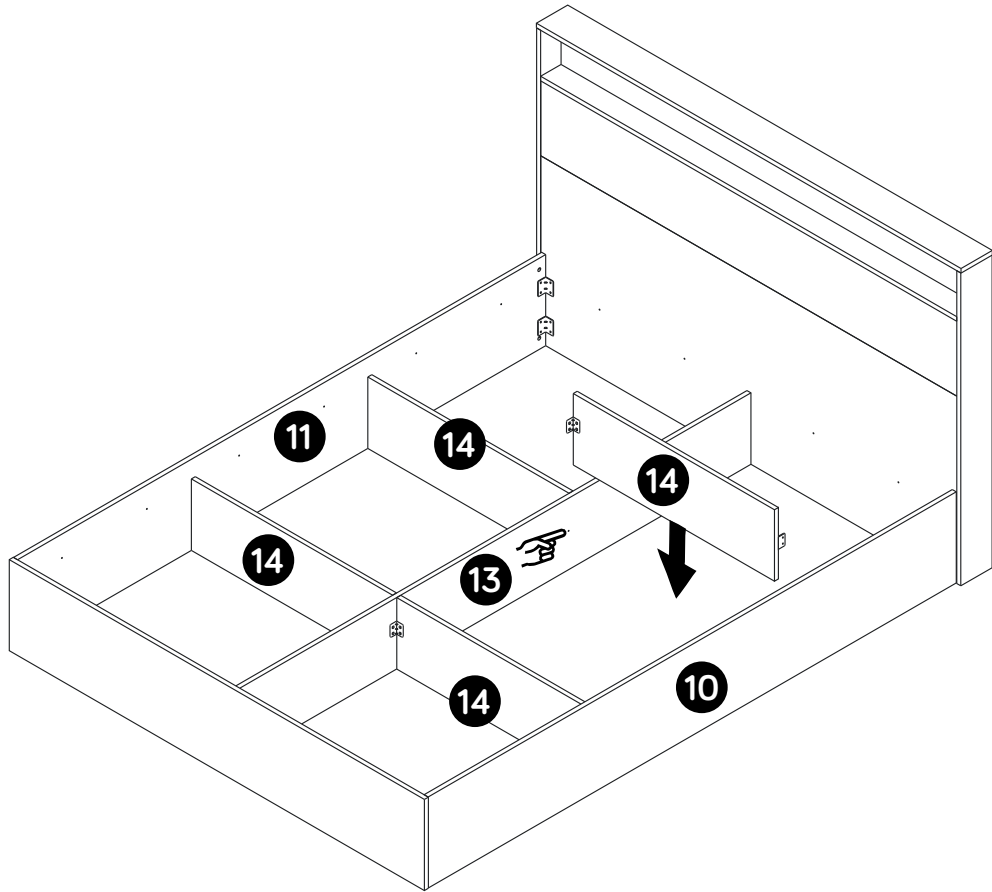
**5.**



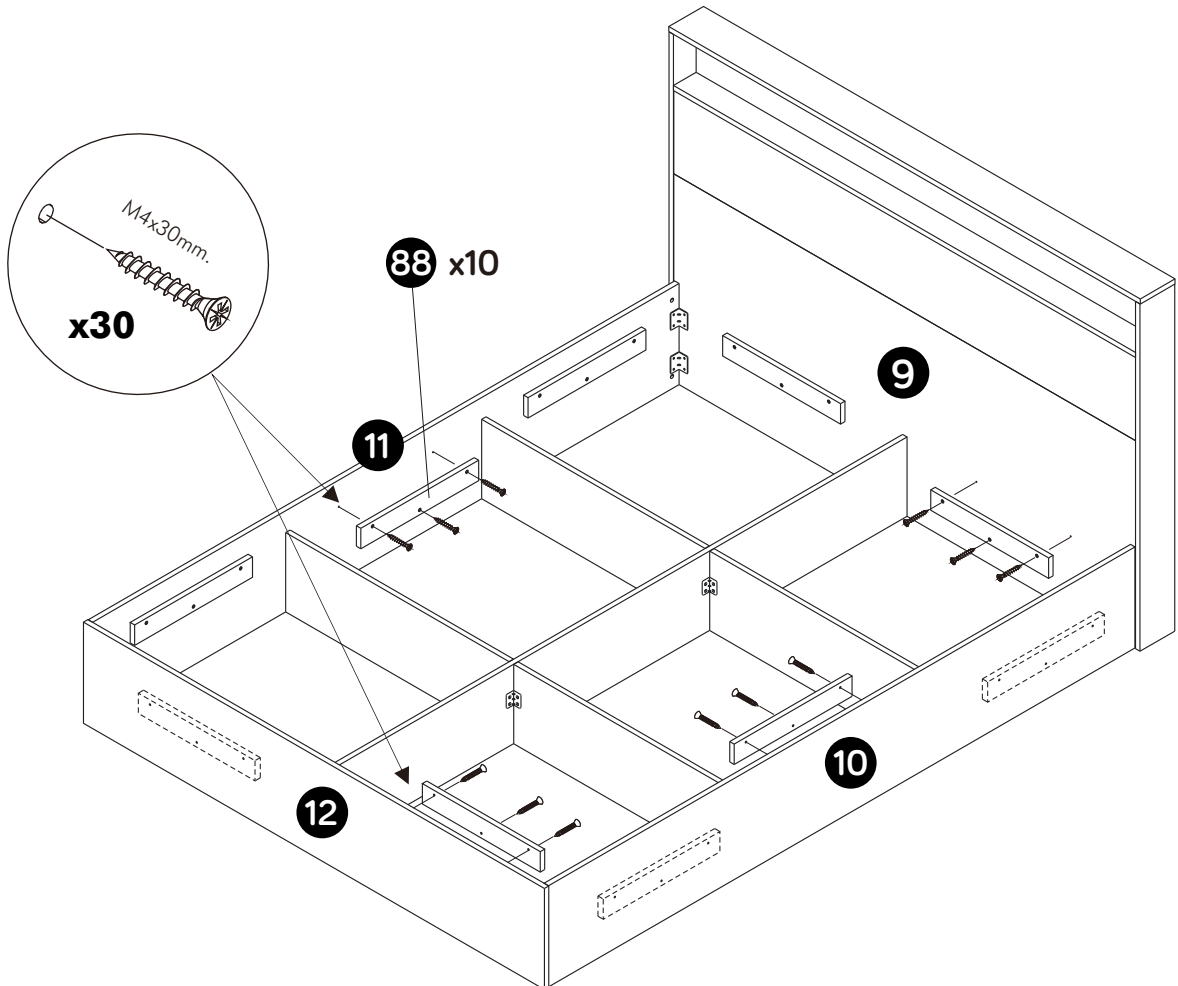
**6.**



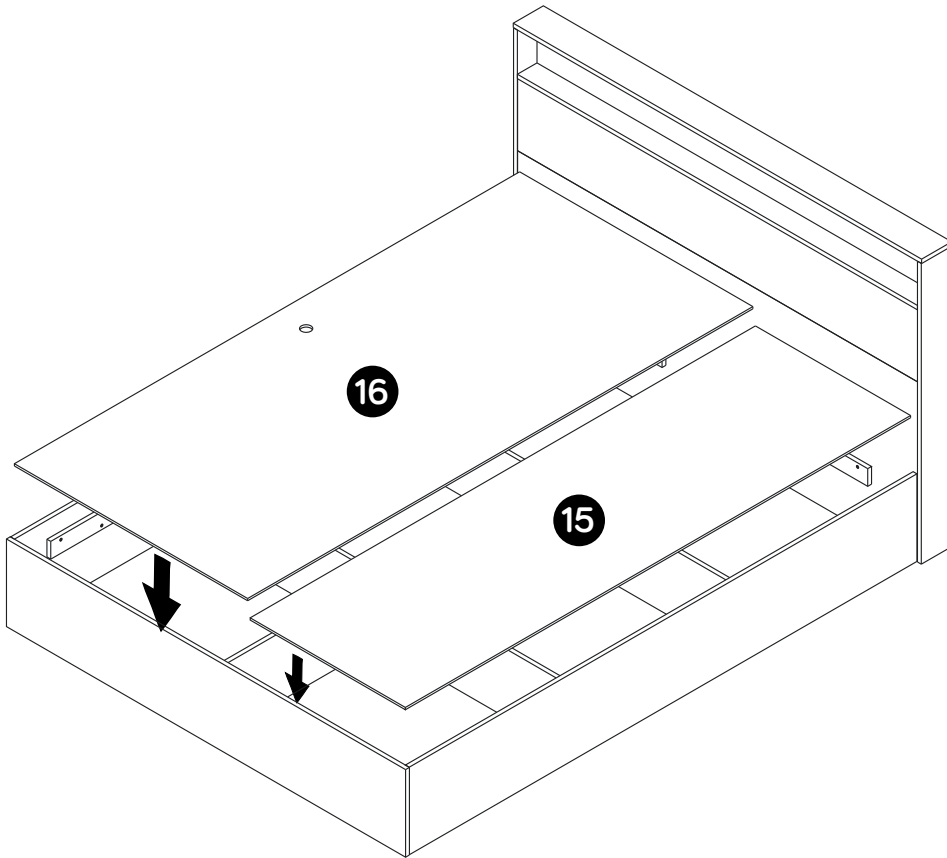
**7.**



**8.**



9.



10.

