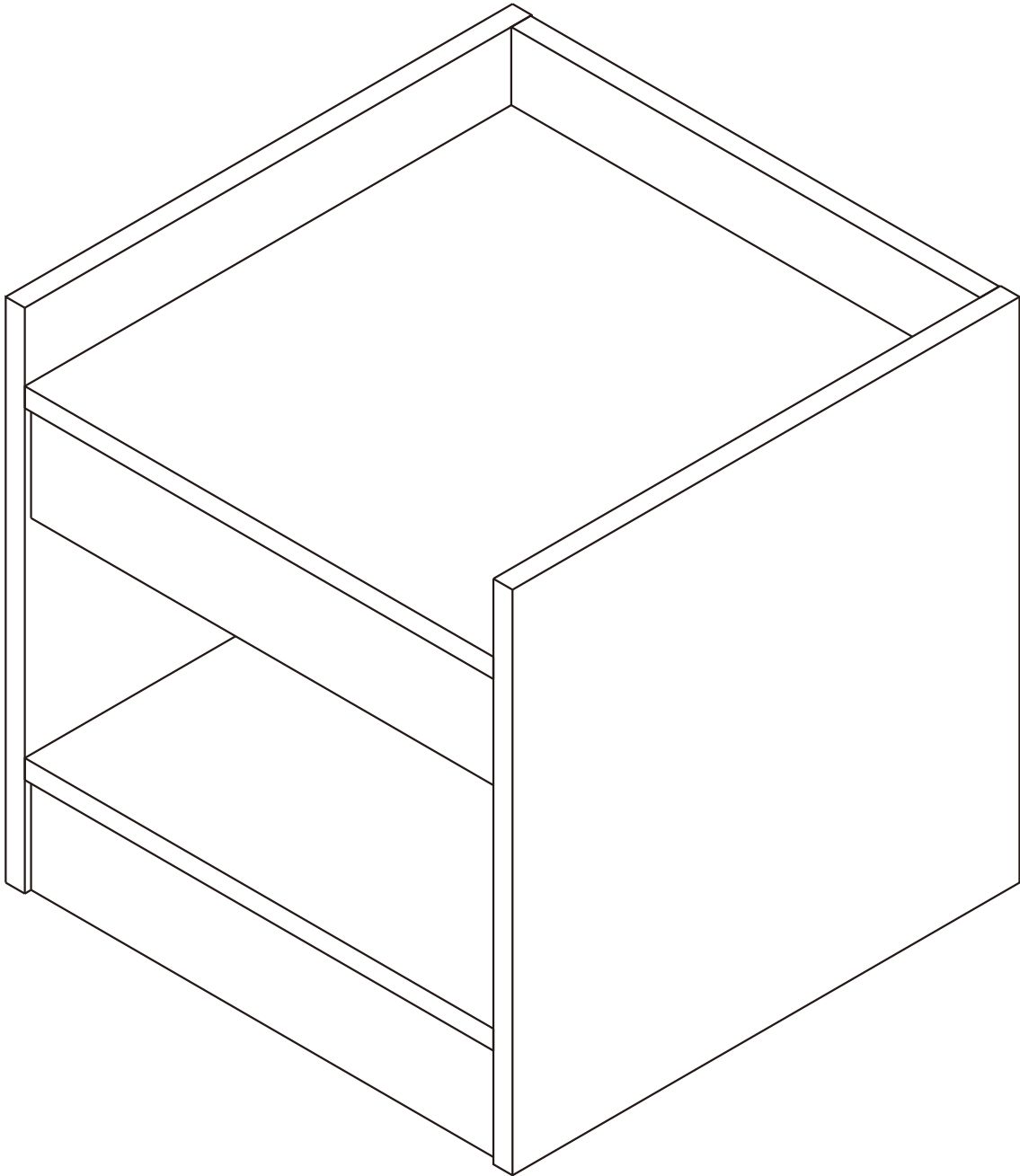


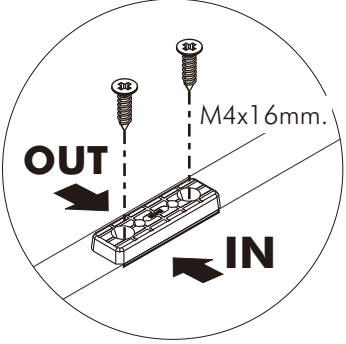
# CHAMP G01

NIGHT TABLE



# CONNECT SYSTEM

M4x16mm.



M4x16mm.

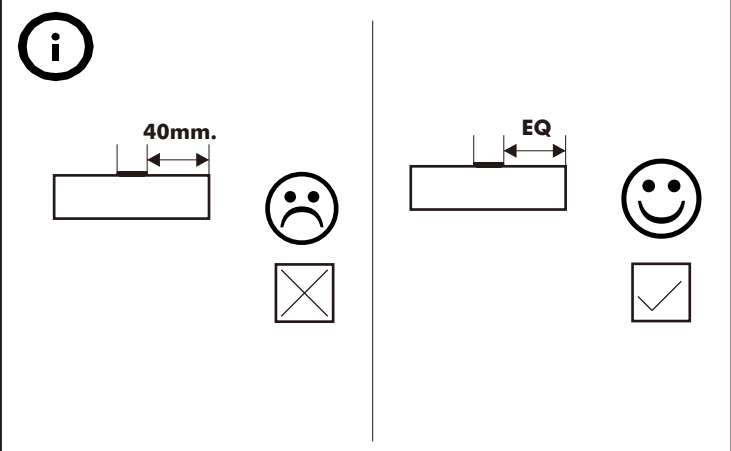
OUT

IN

i

40mm.

EQ



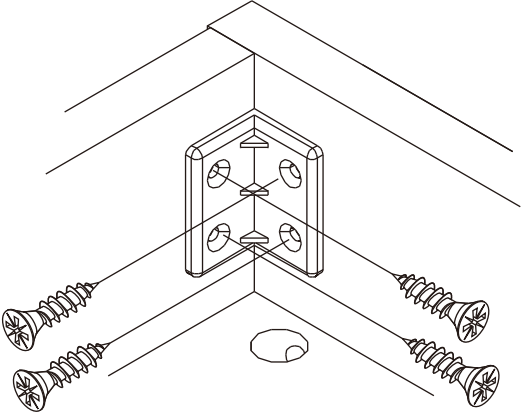
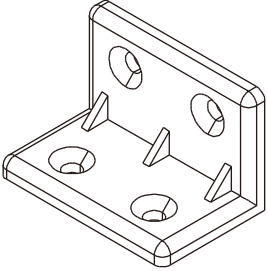
☹

☺

☒

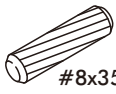
☑

M4x16mm.



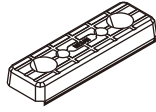
# HARDWARE

## -BODY SET

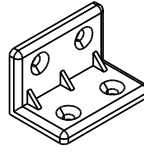


#8x35

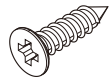
**x 12**



**x 8**

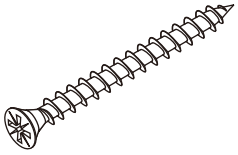


**x 17**



M4x16mm.

**x 84**



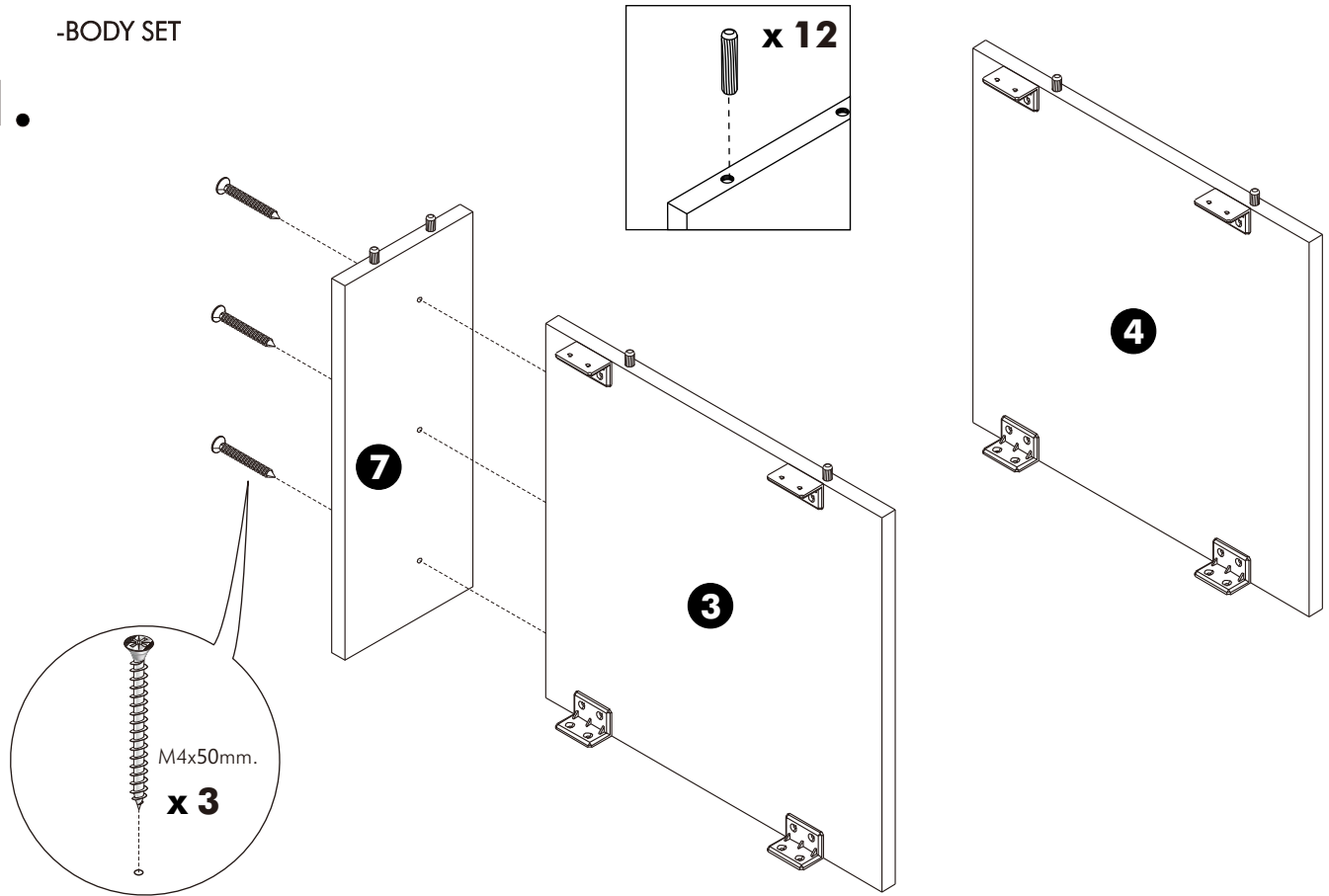
M4x50mm.

**x 3**

# ASSEMBLY

-BODY SET

## 1.



## 2.

