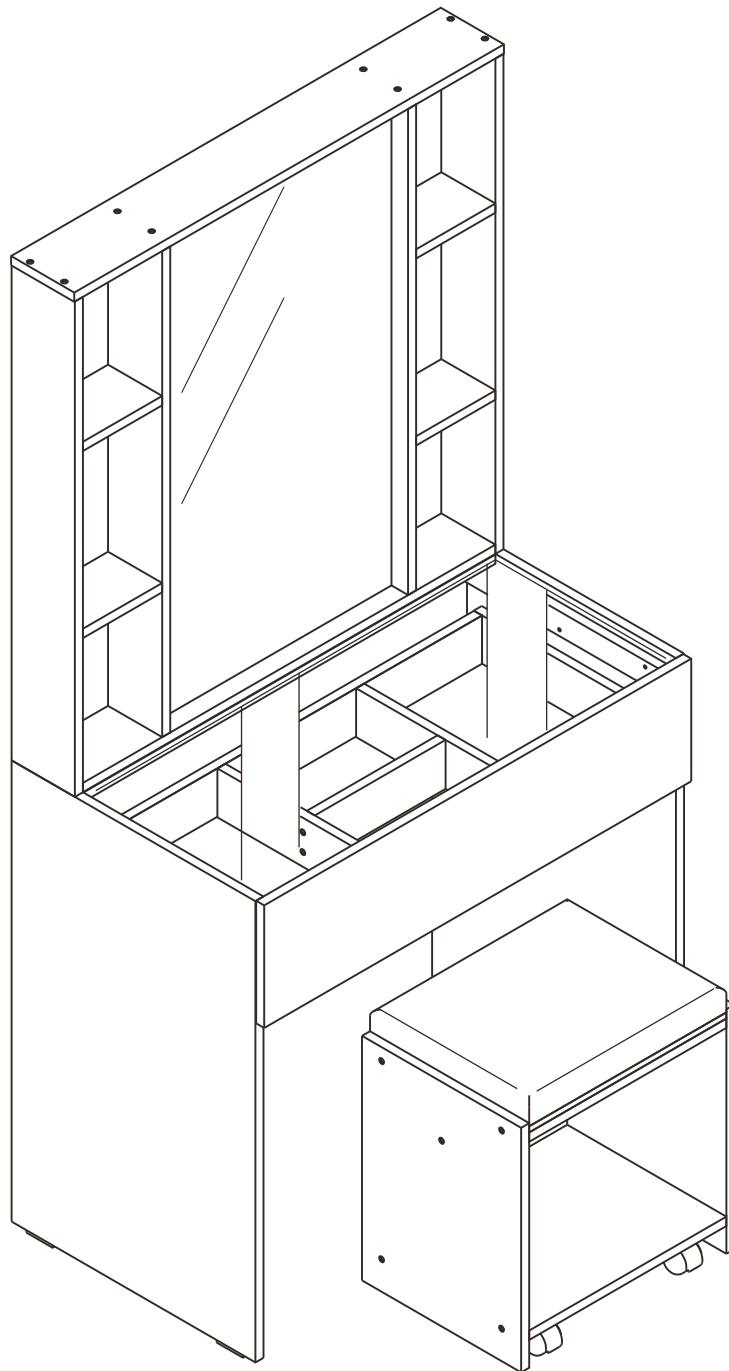
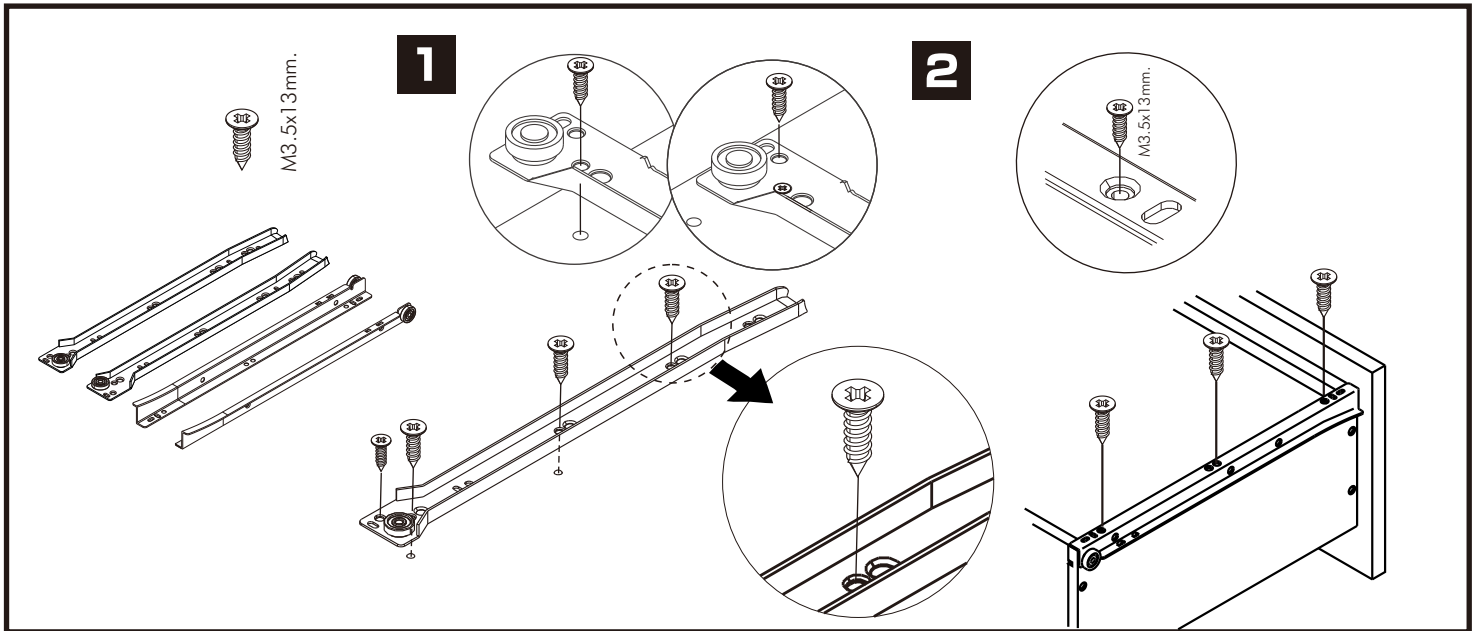
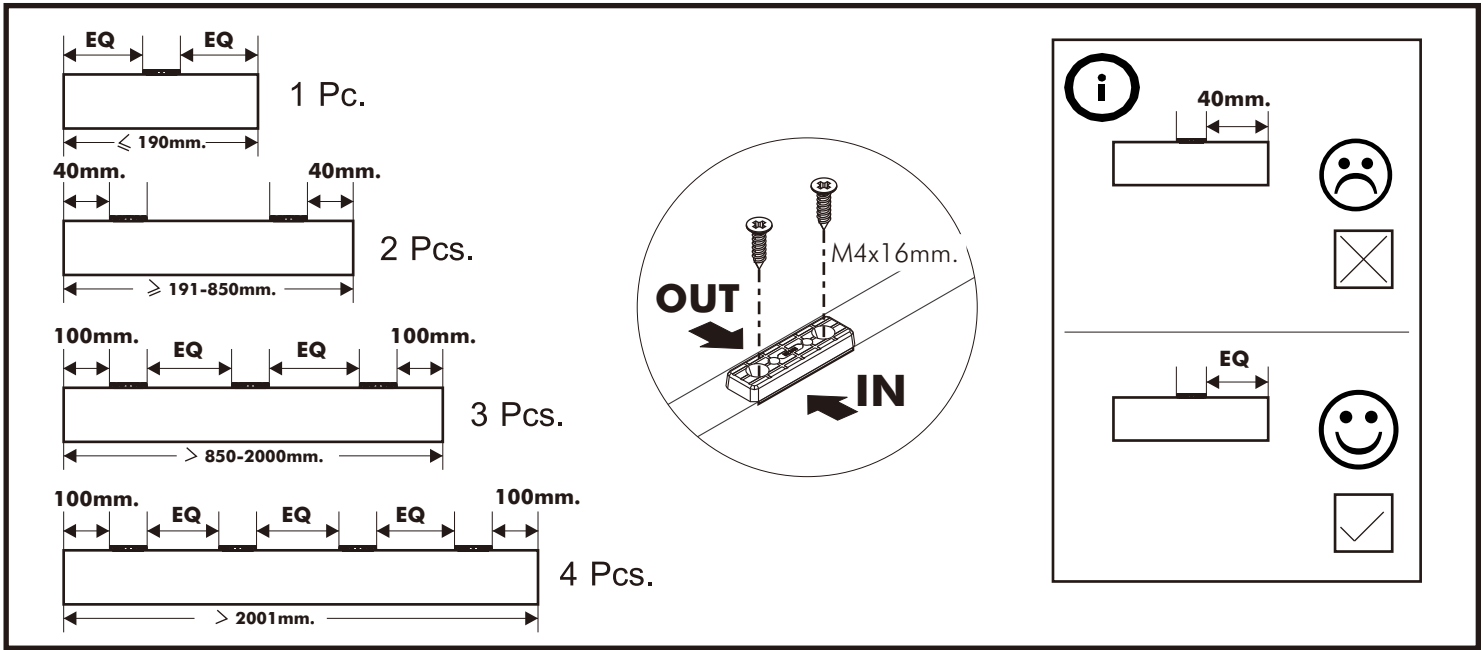
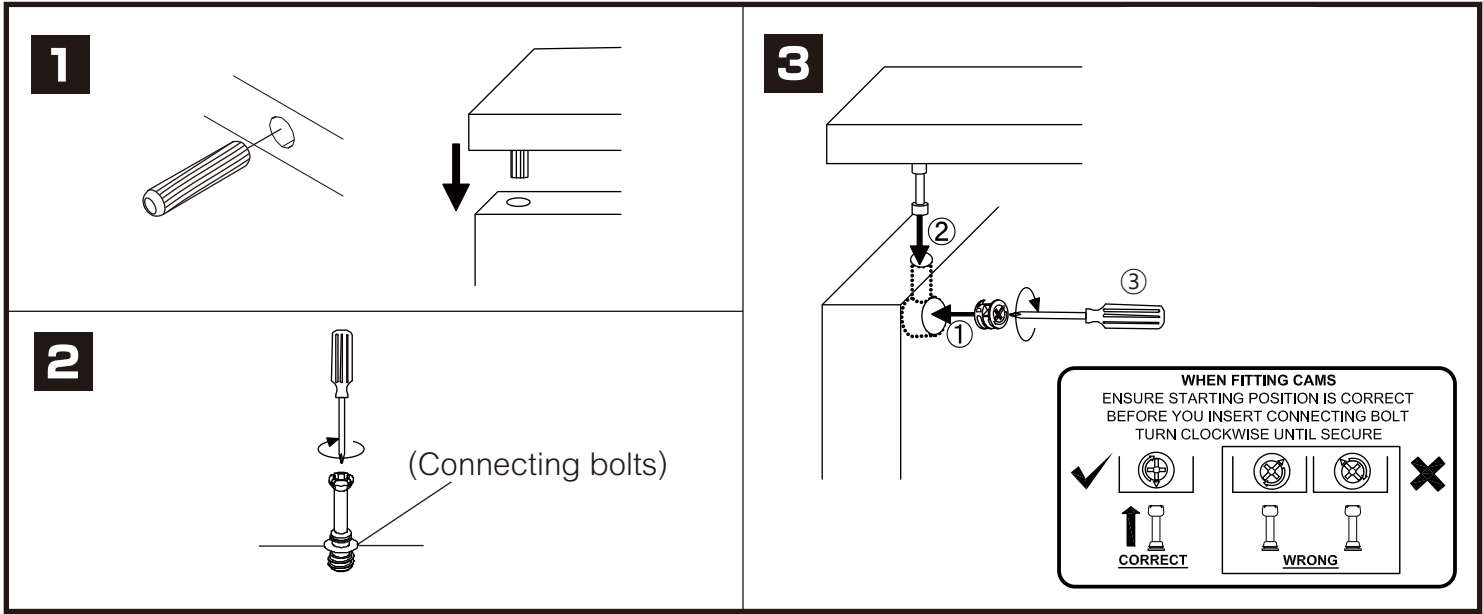


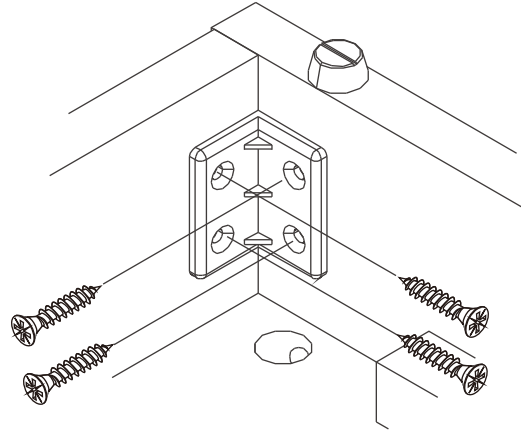
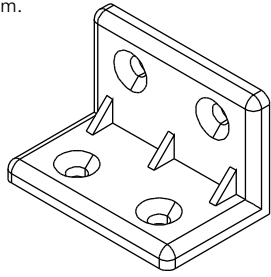
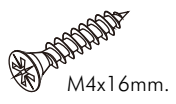
# CHAMP G01

Dressing Table-Stool



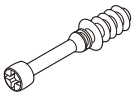
# CONNECT SYSTEM





# HARDWARE

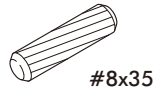
## -BODY SET



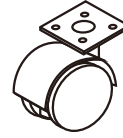
**x 6**



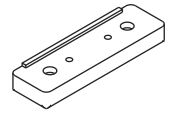
**x 6**



**x 62**



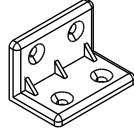
**x 4**



**x 4**



**x 7**



**x 19**



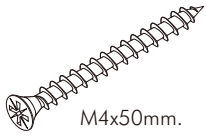
**x 84**



**x 6**



**x 6**



**x 34**

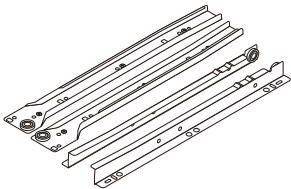


**x 16**



**x 18**

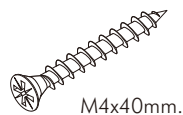
## -DRAWER SET



**x 1**



**x 14**



**x 20**

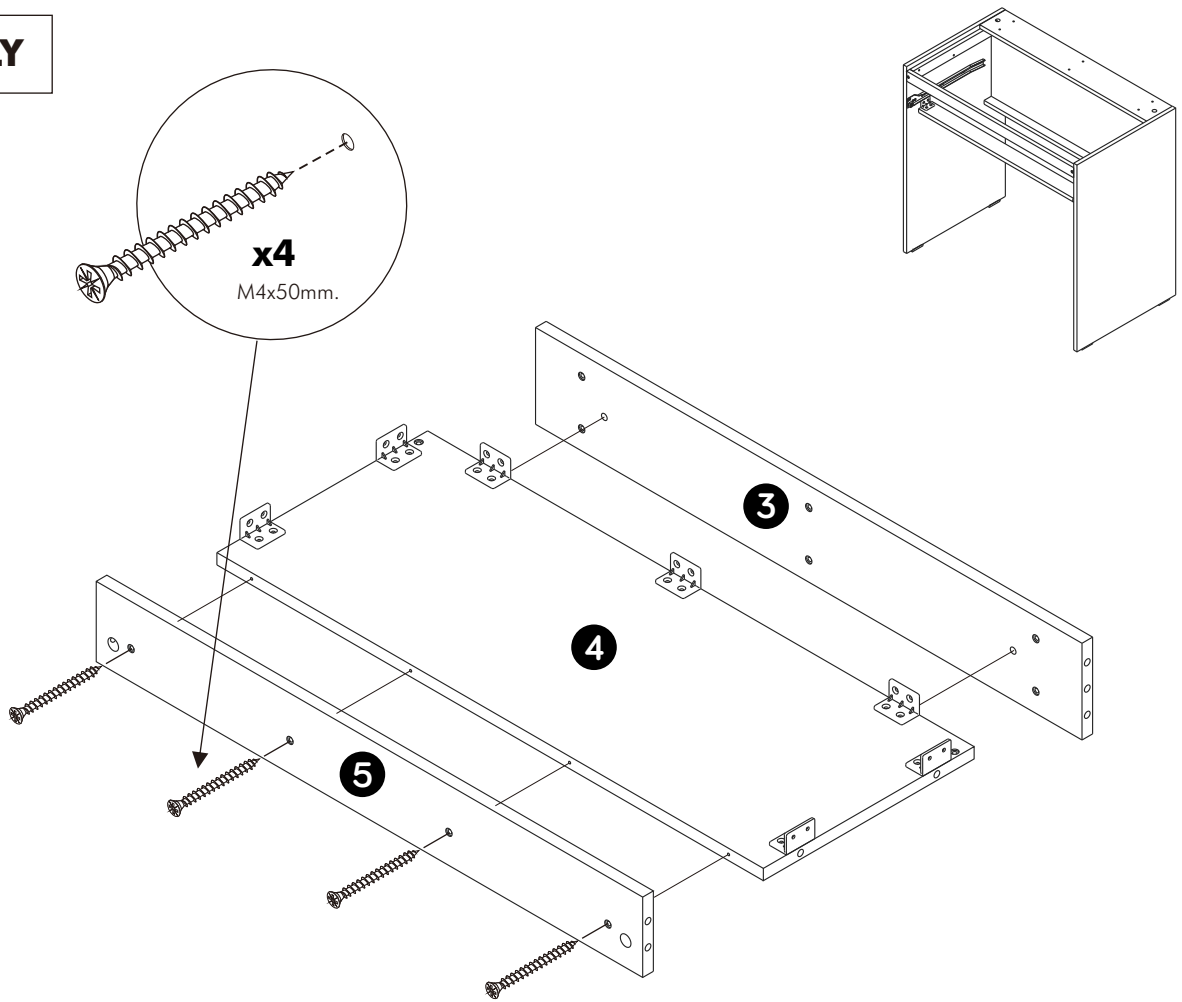


**x 3**

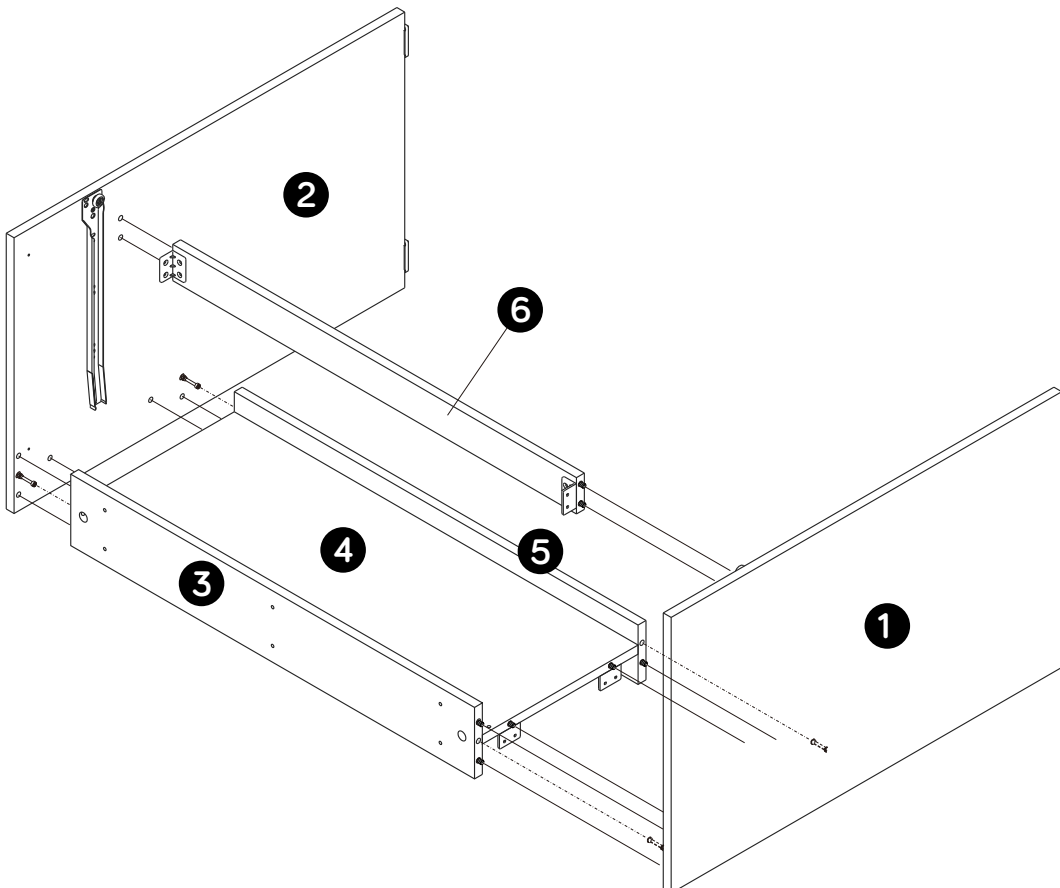
# ASSEMBLY

-BODY SET

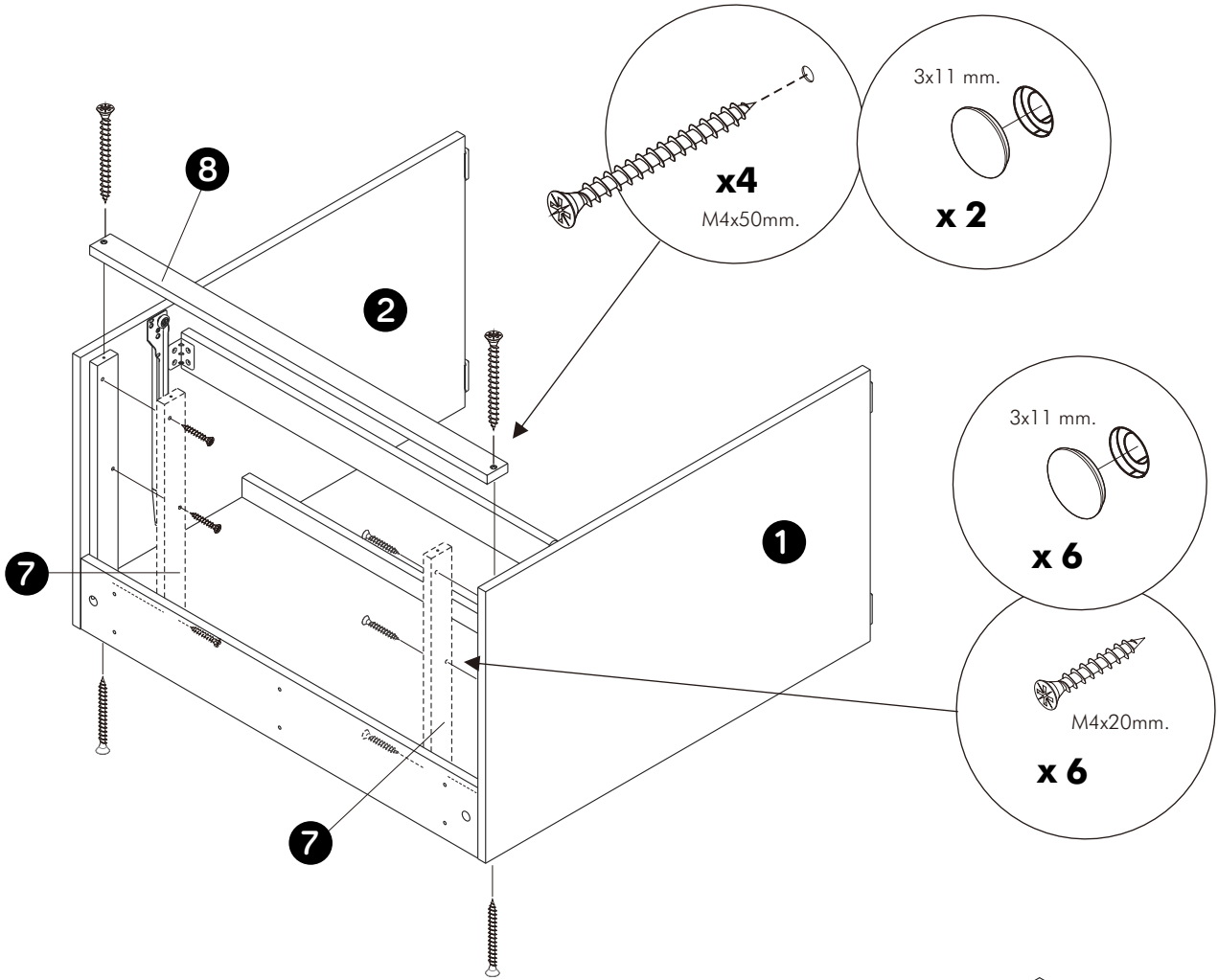
## 1.



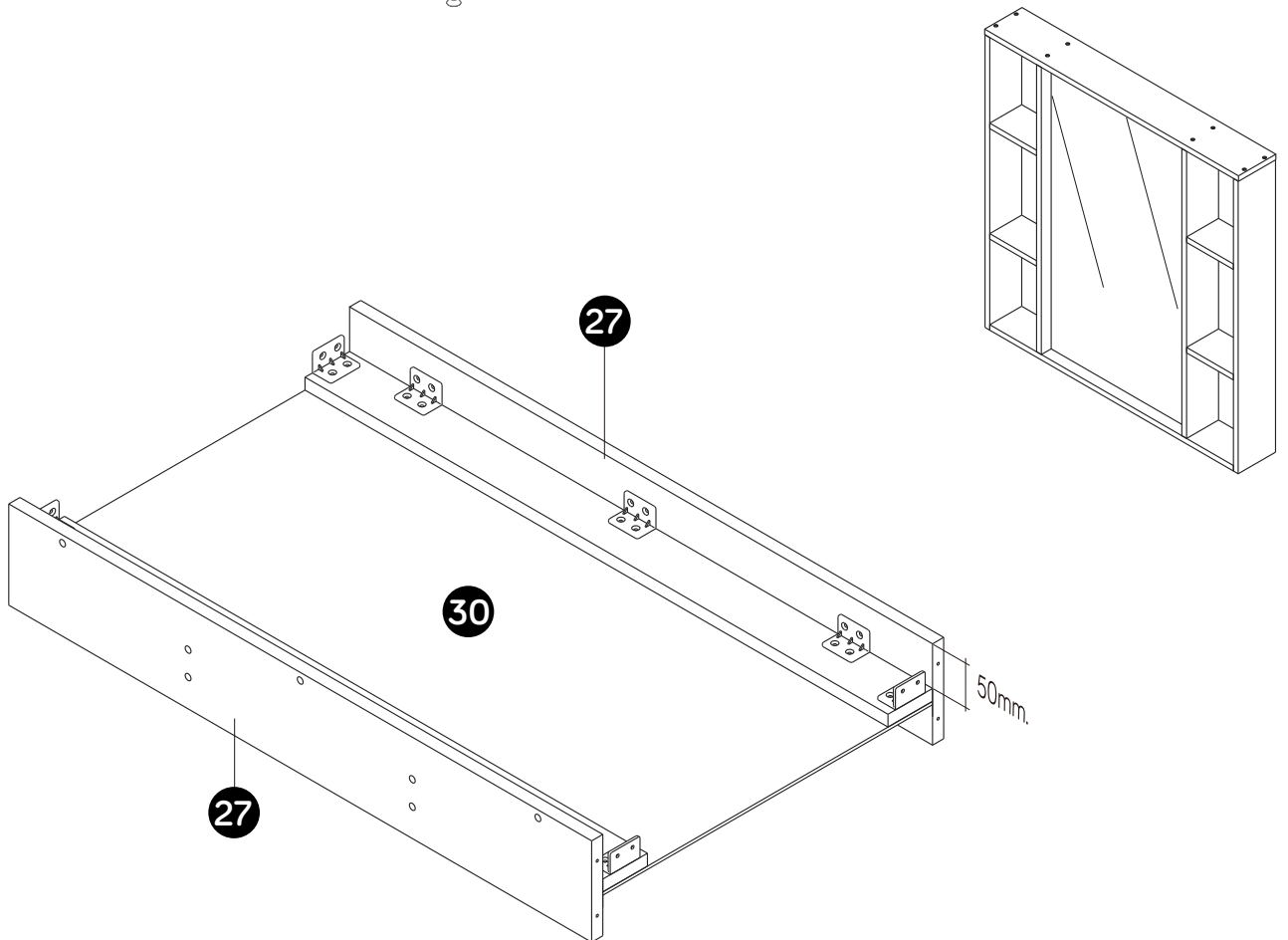
## 2.



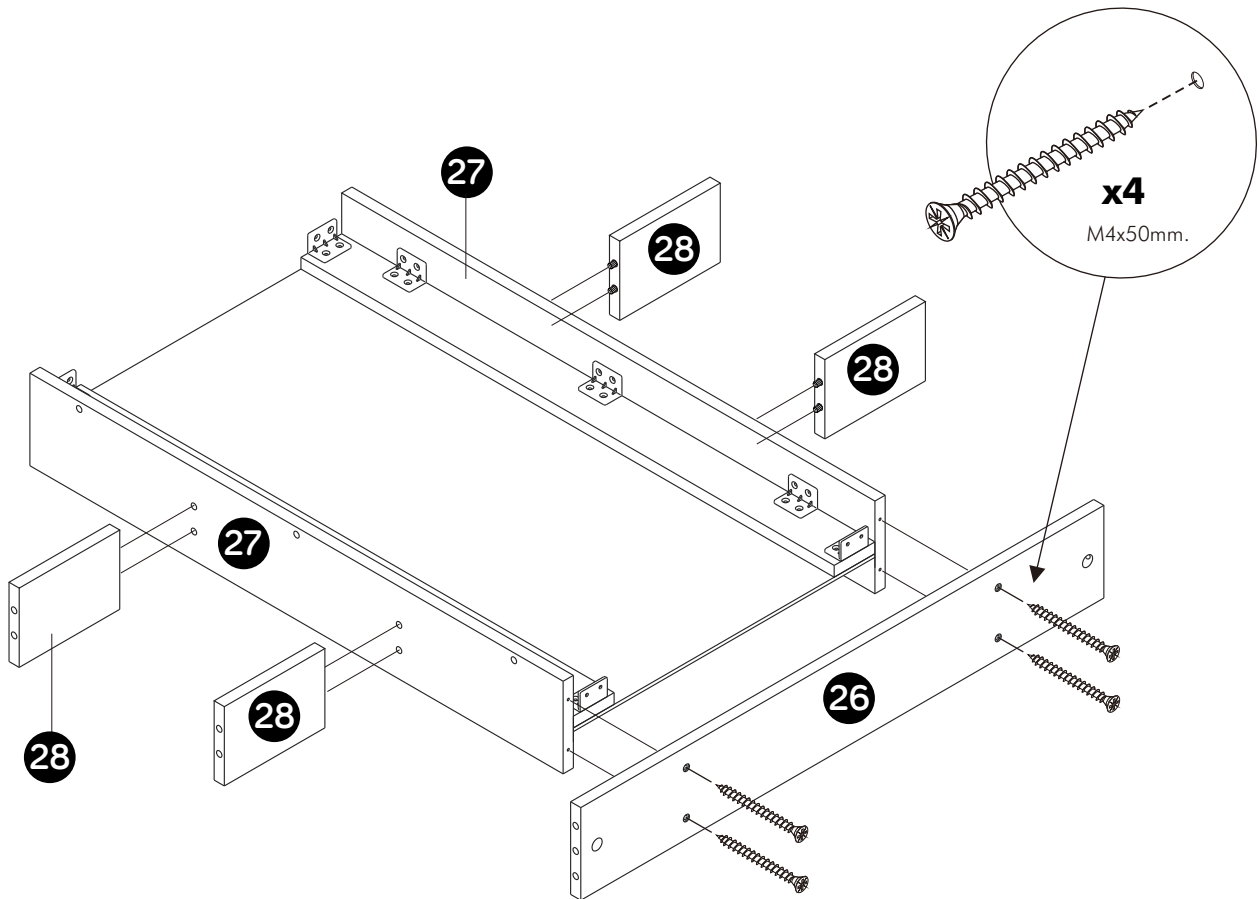
**3.**



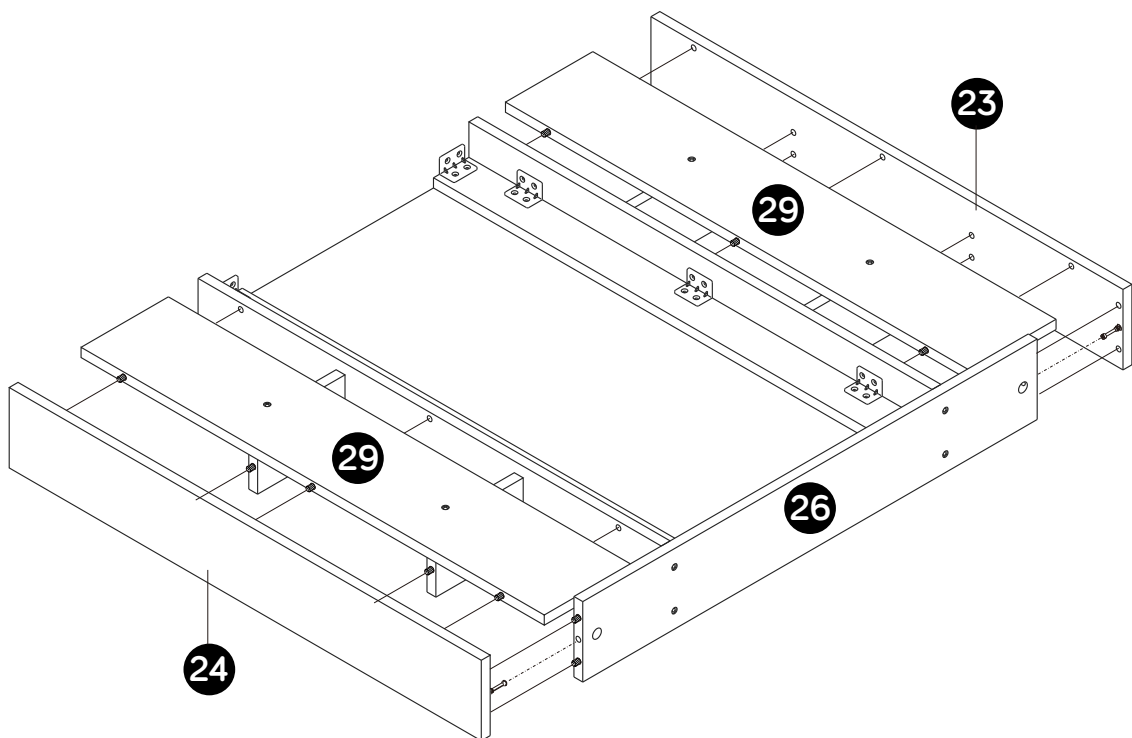
**4.**



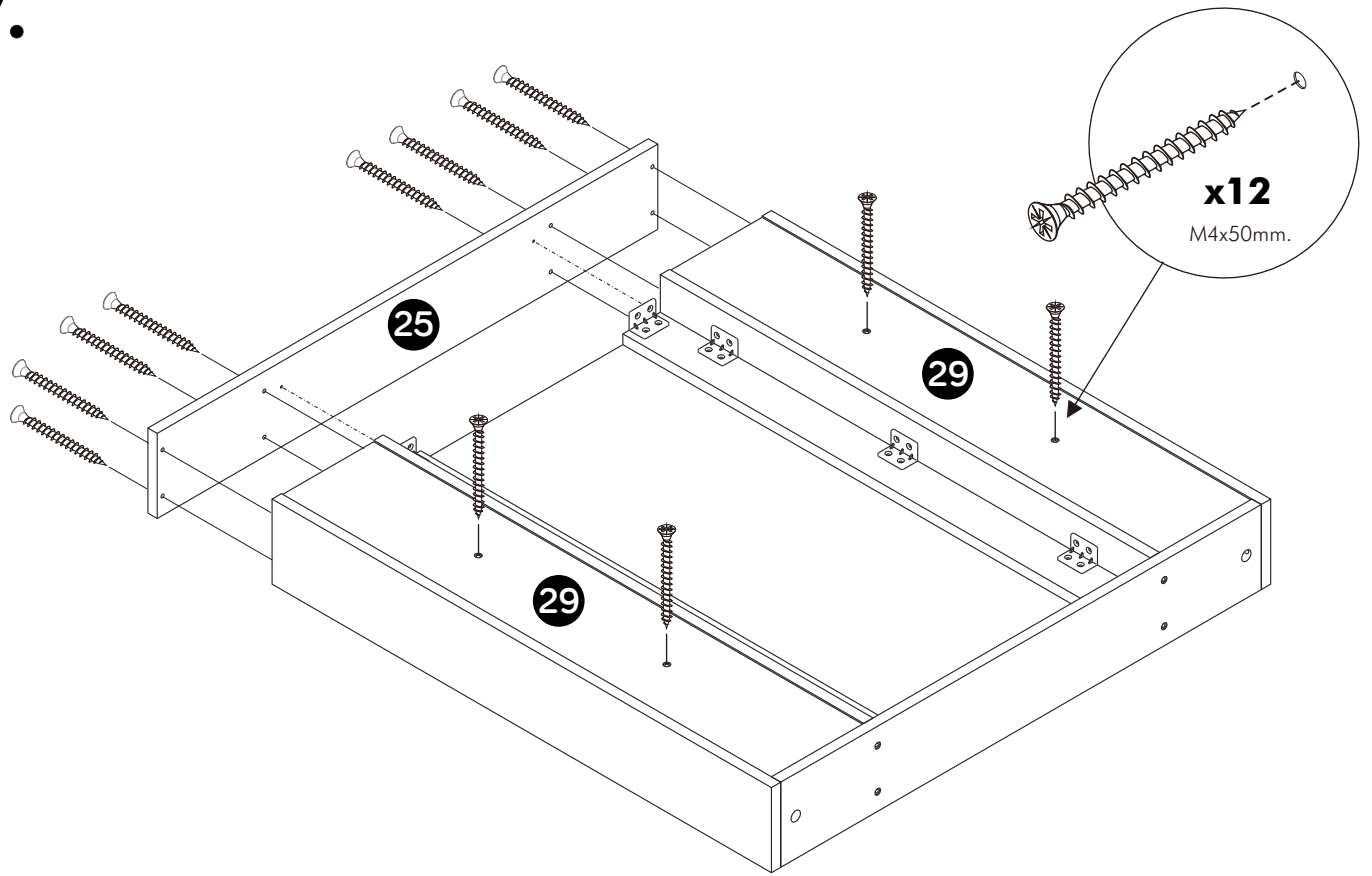
**5.**



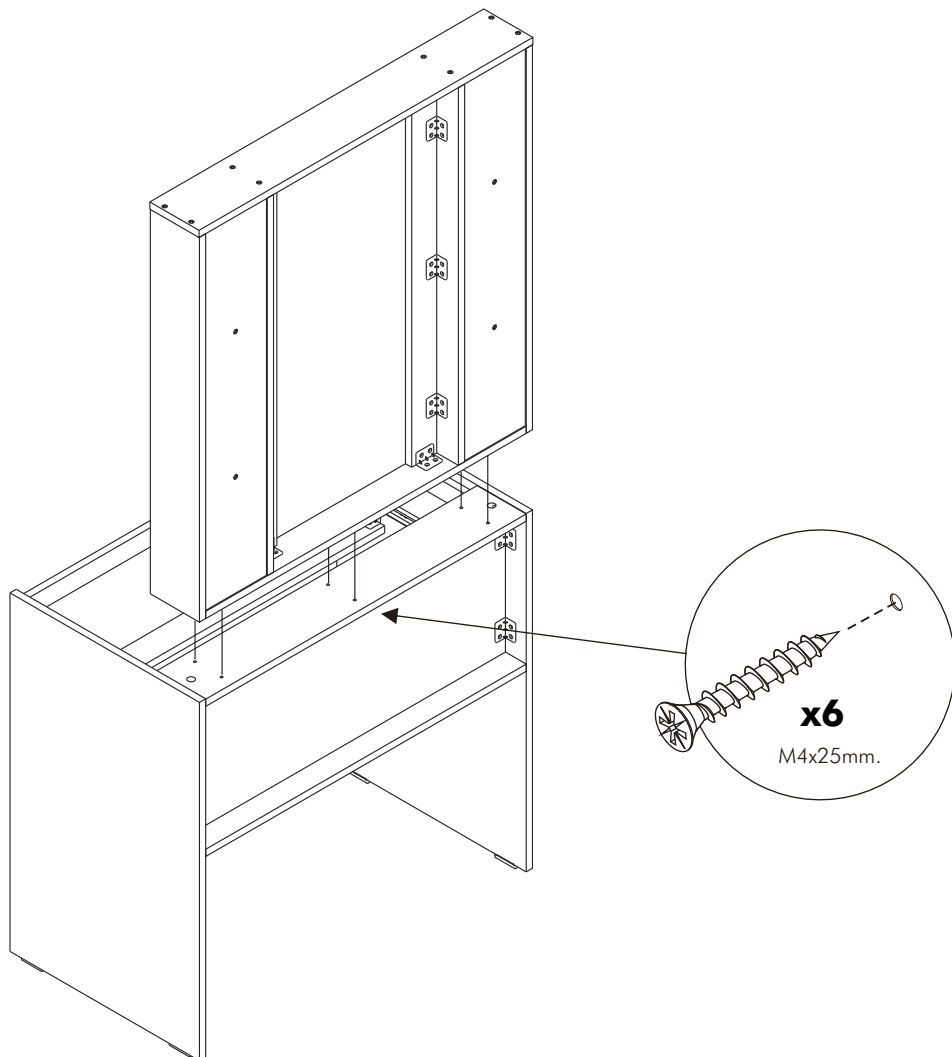
**6.**



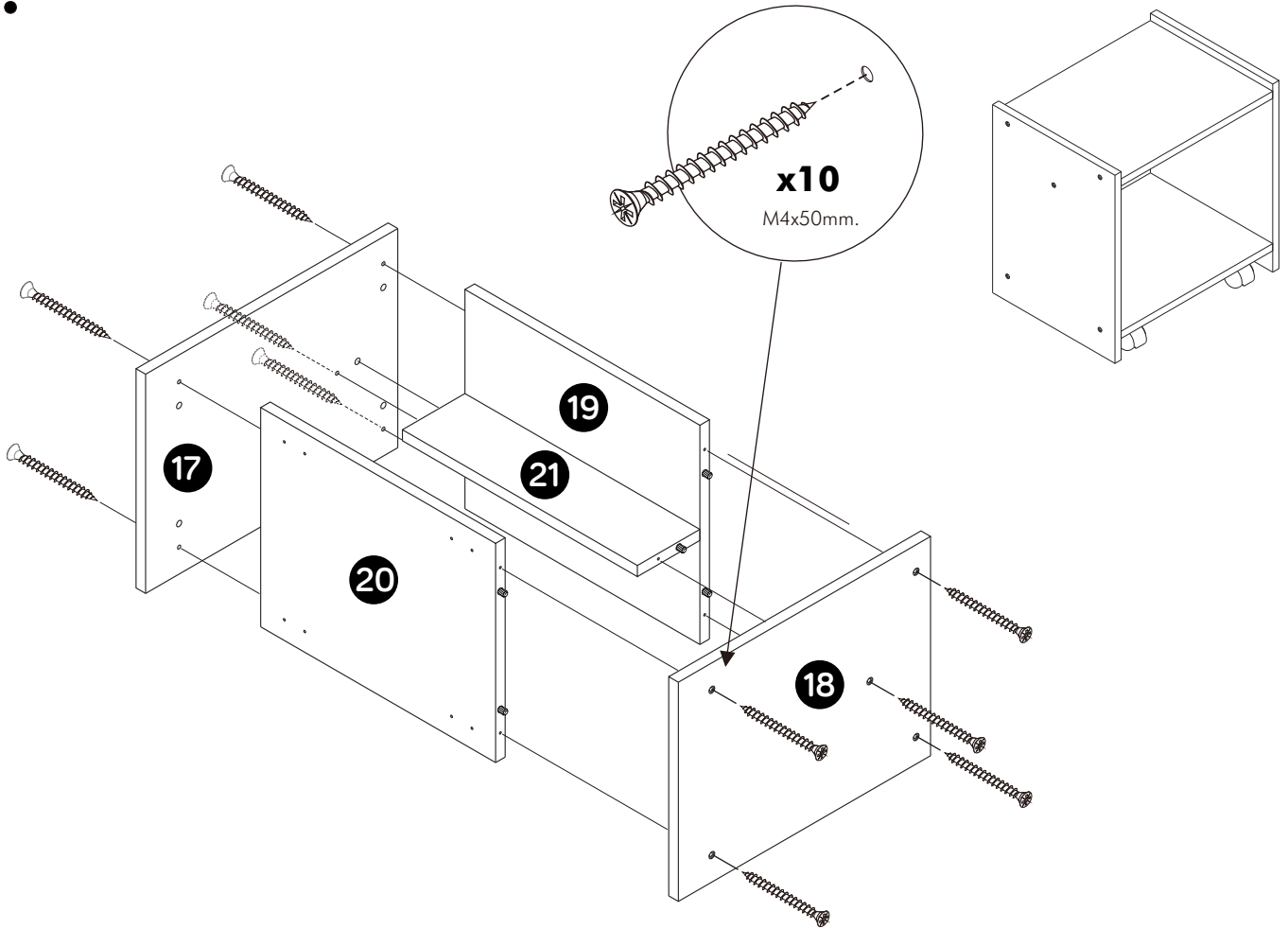
7.



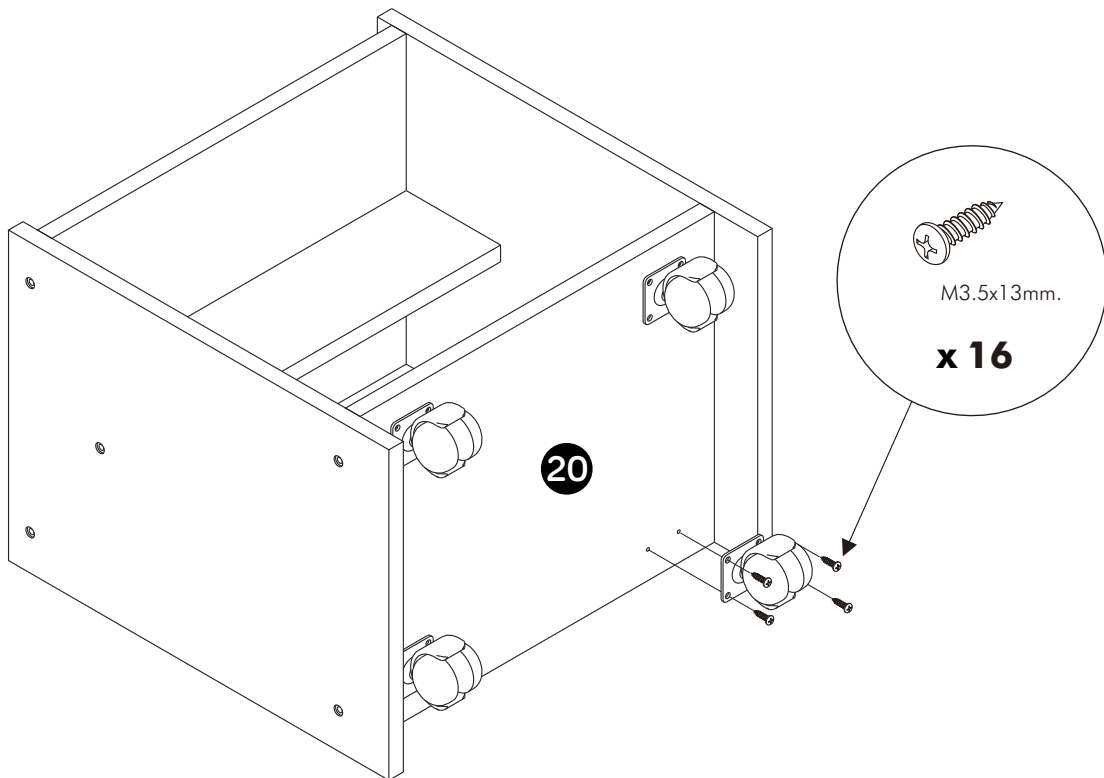
8.



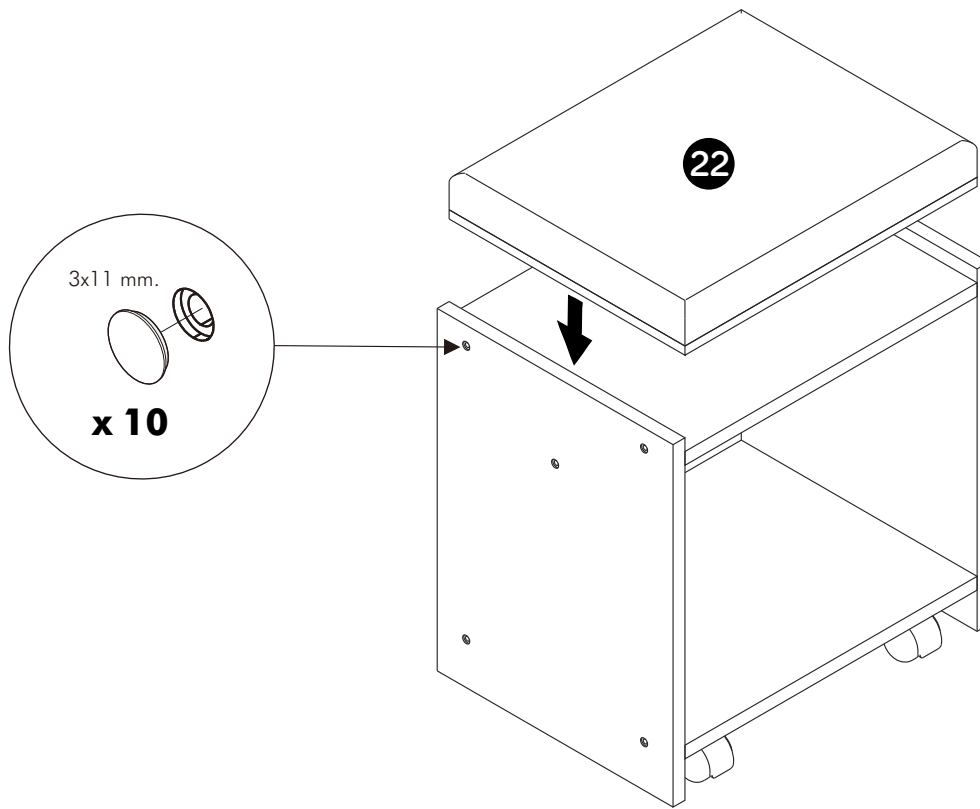
**9.**



**10.**

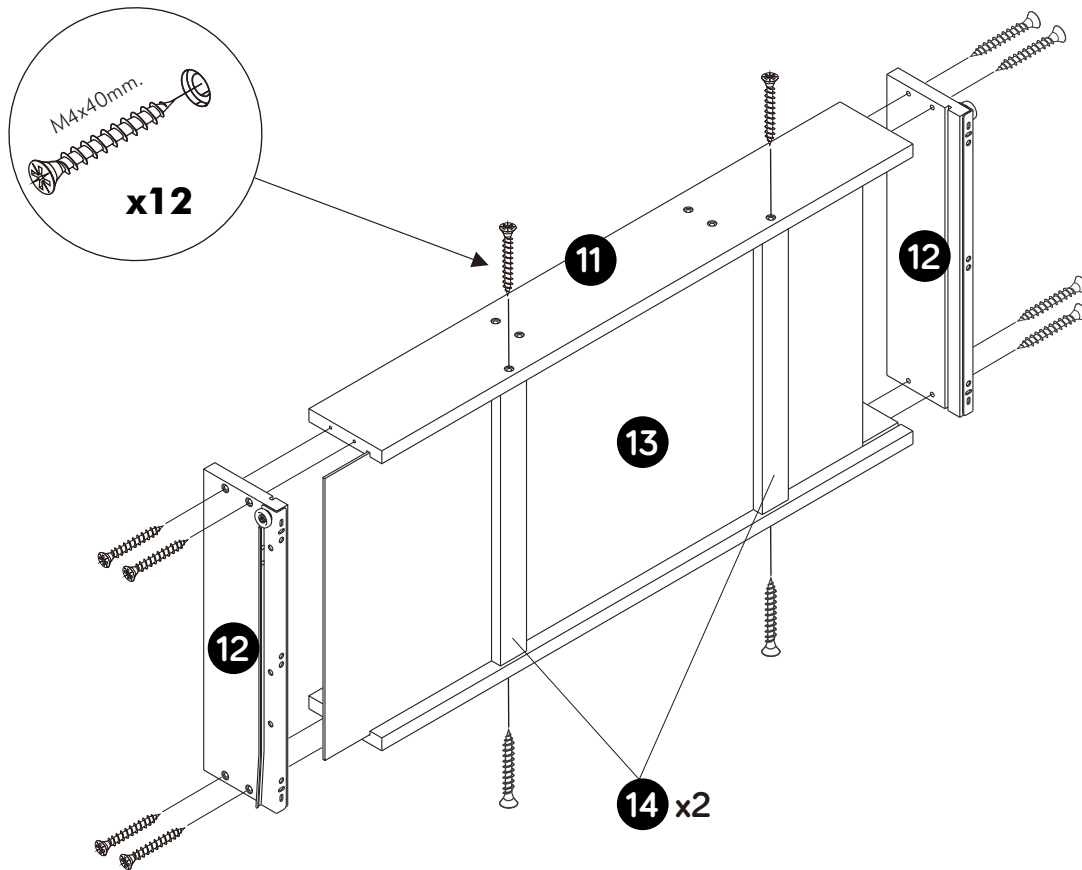
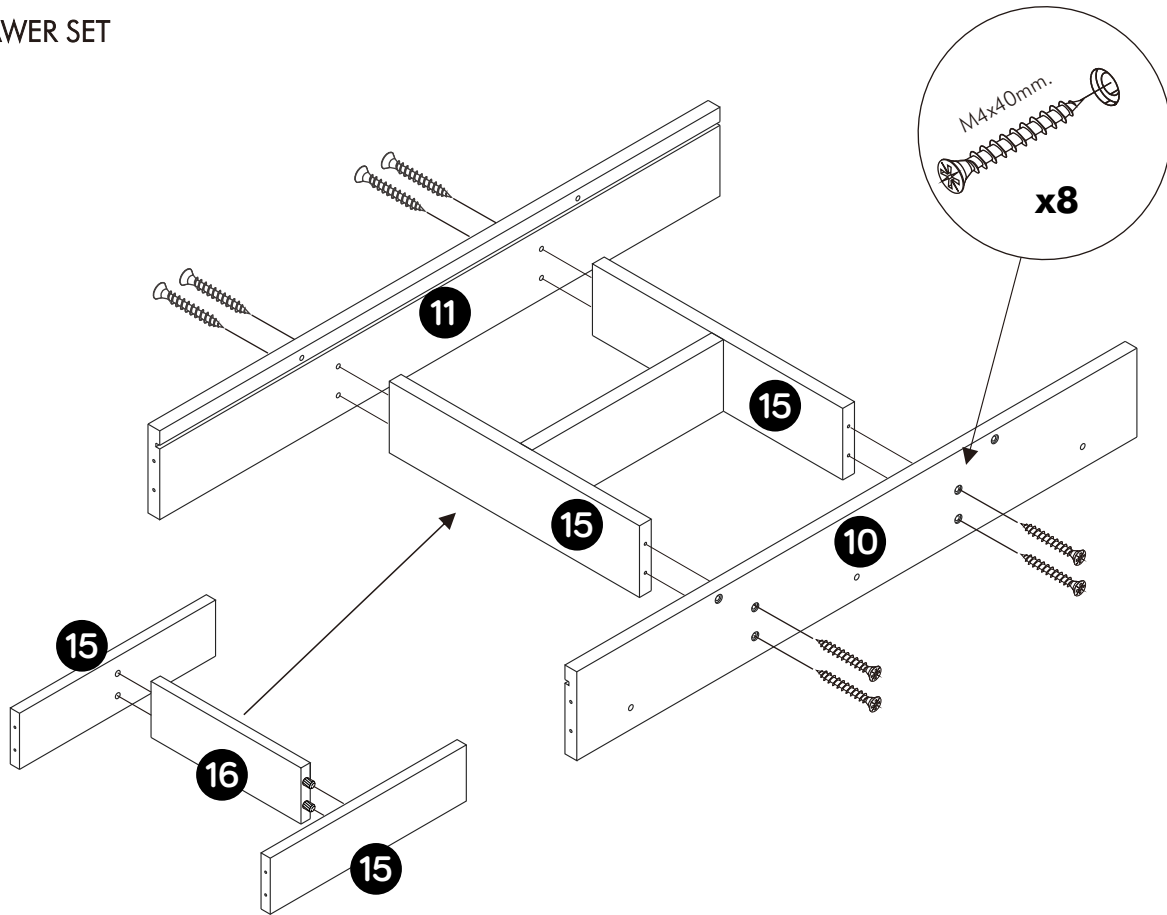


**11.**



# ASSEMBLY

-DRAWER SET



# ASSEMBLY

-DRAWER SET

