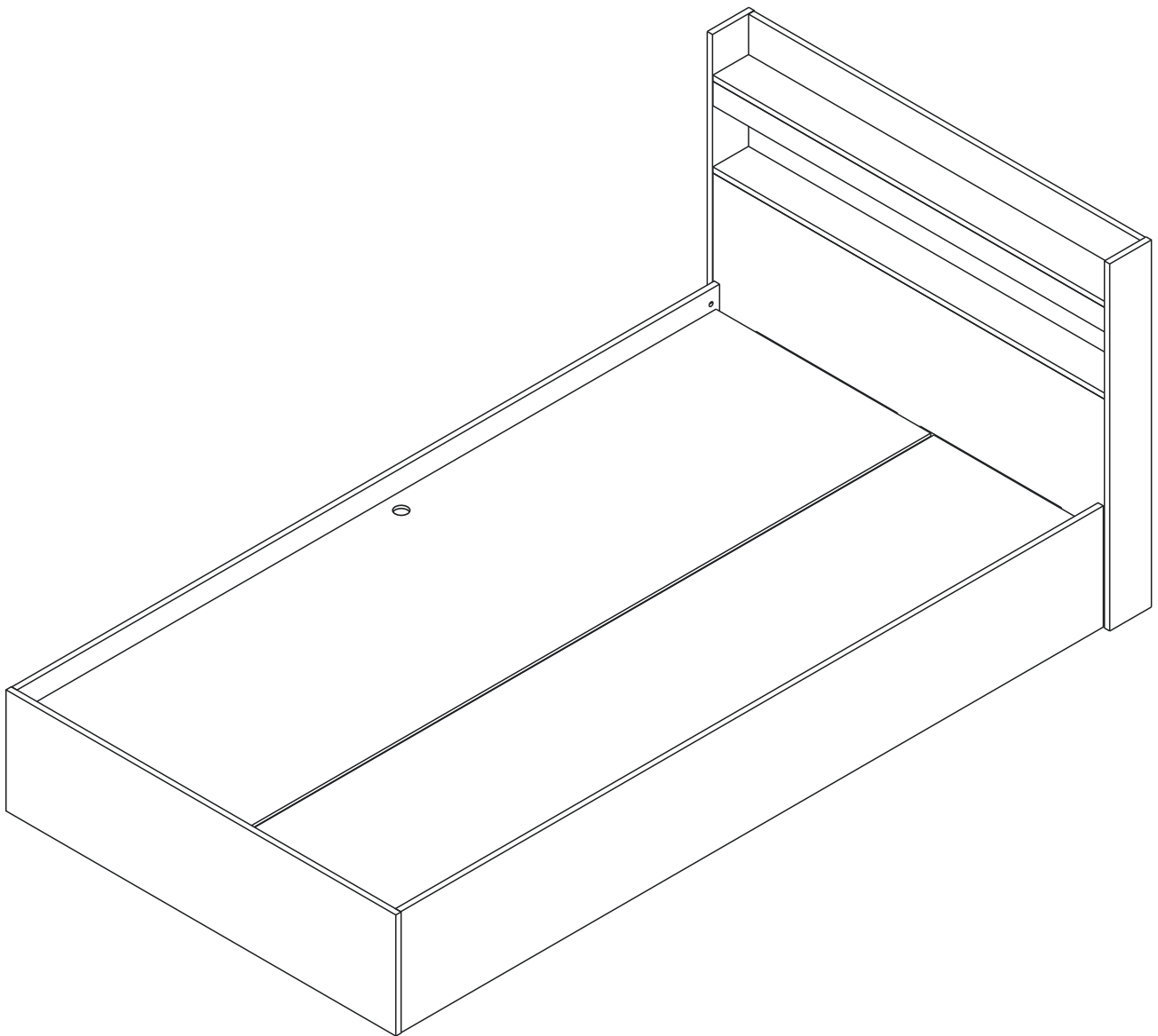
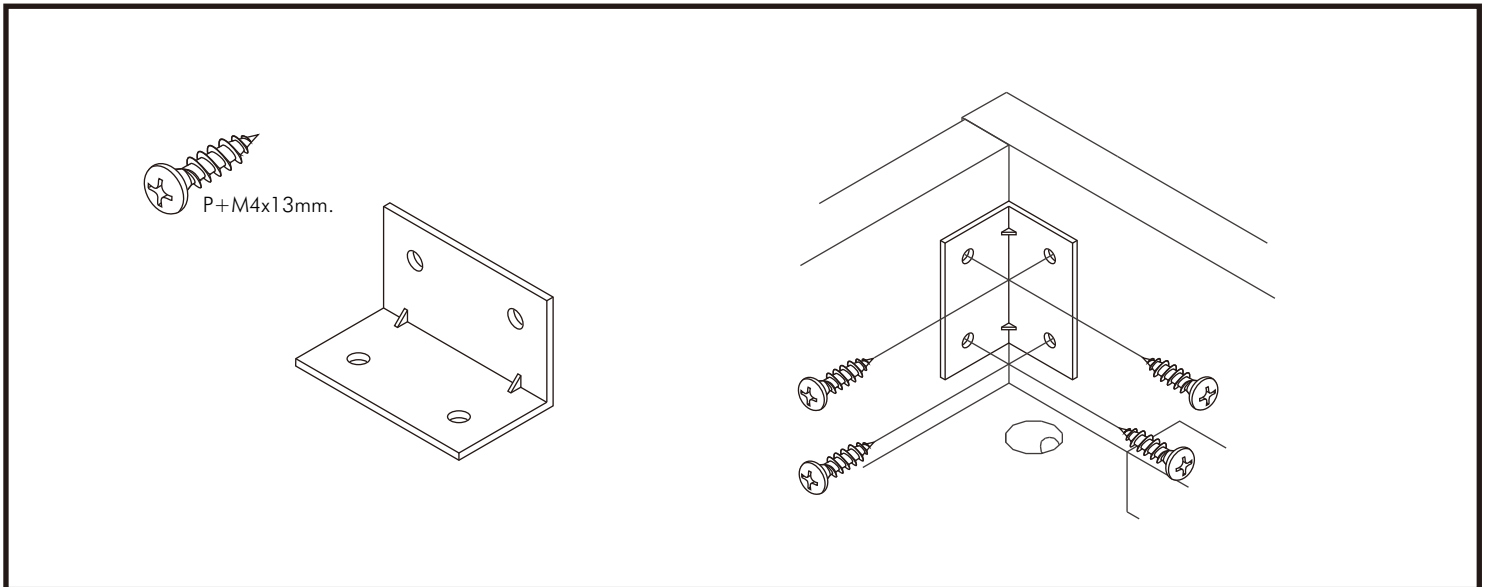
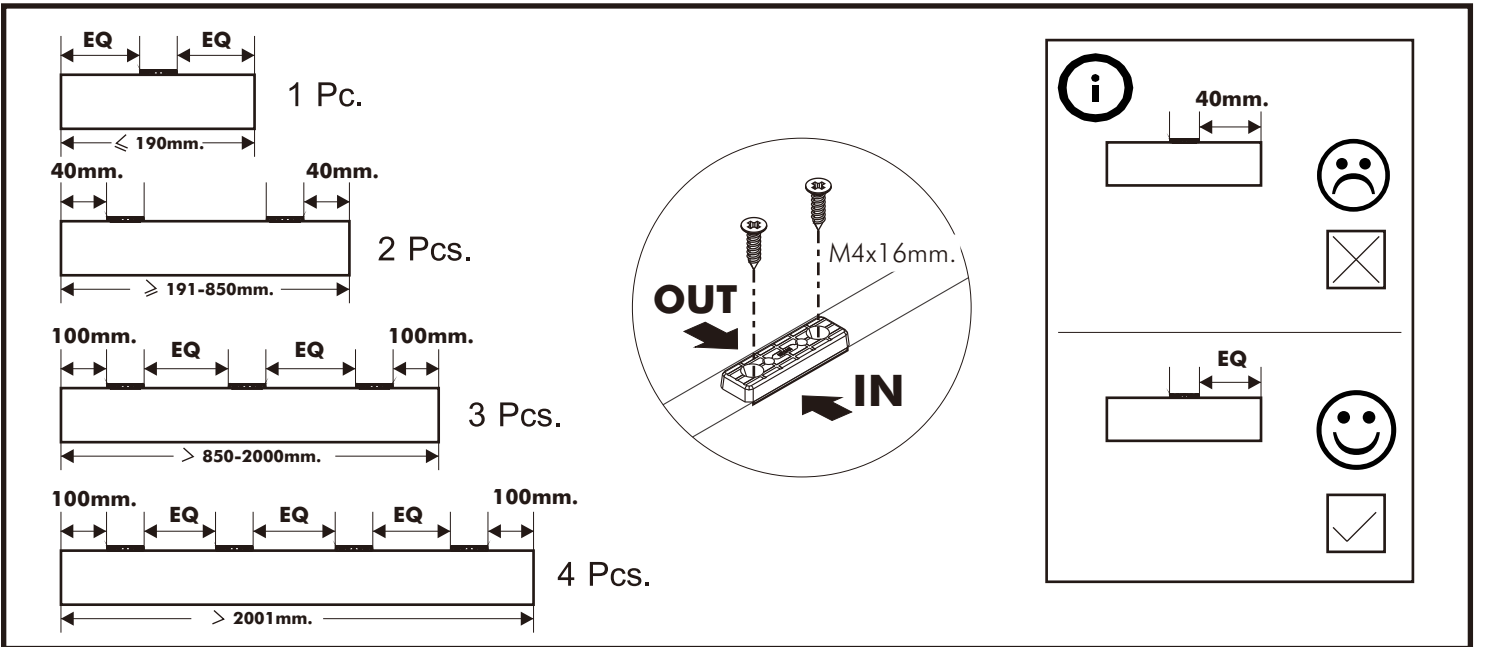
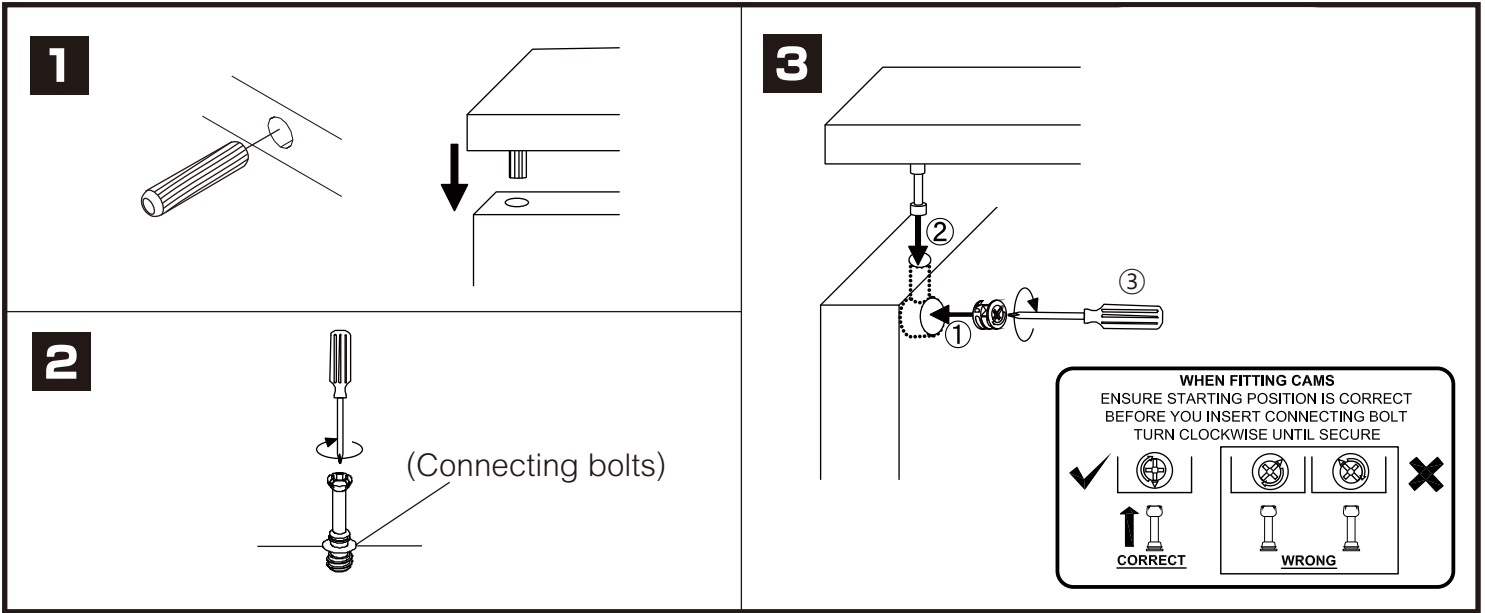


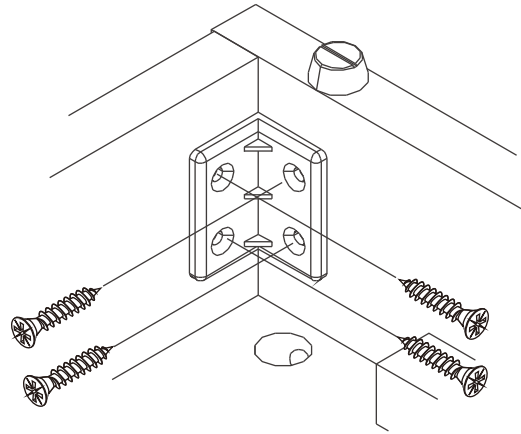
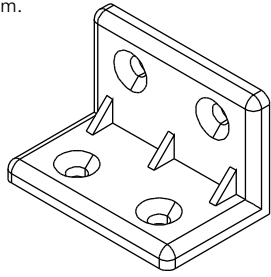
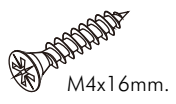
CHAMP M02

BED 3.5 ft.



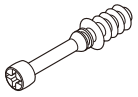
CONNECT SYSTEM





HARDWARE

-BODY SET

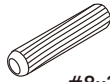


x 4



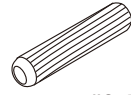
16mm.

x 4



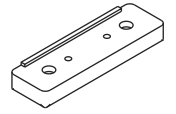
#8x35

x 28

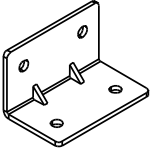


#8x50

x 2



x 20

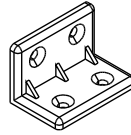


x 8

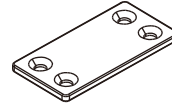


No.1

x 3



x 15

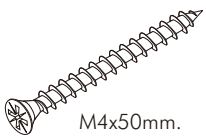


x 3



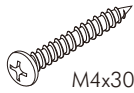
M4x30mm.

x 30



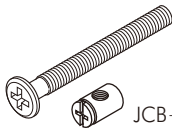
M4x50mm.

x 6



M4x30mm.

x 8



JCB+M6x60

x 4



M4x13mm.

x 32



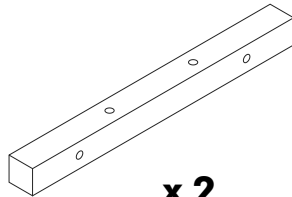
M4x16mm.

x 3



M4x16mm.

x 112

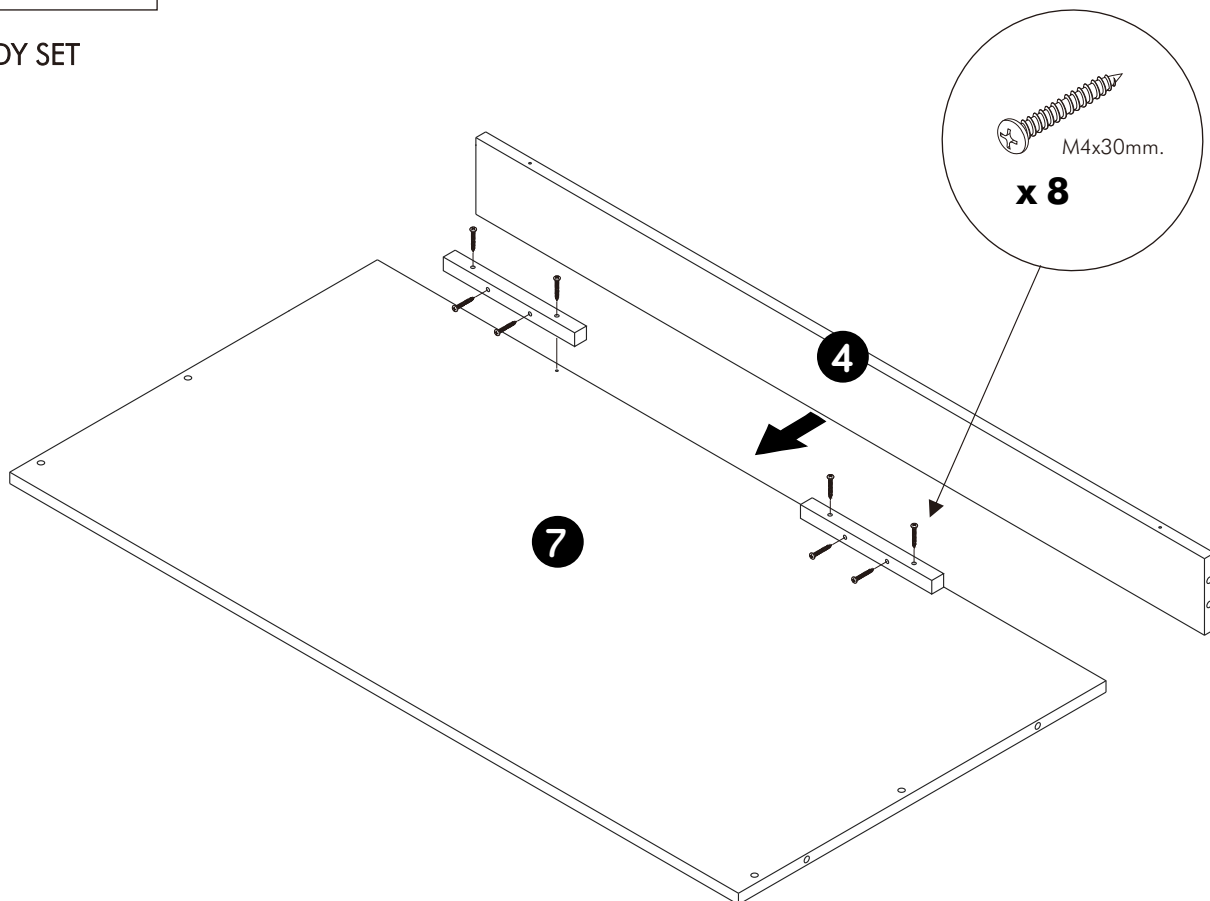


x 2

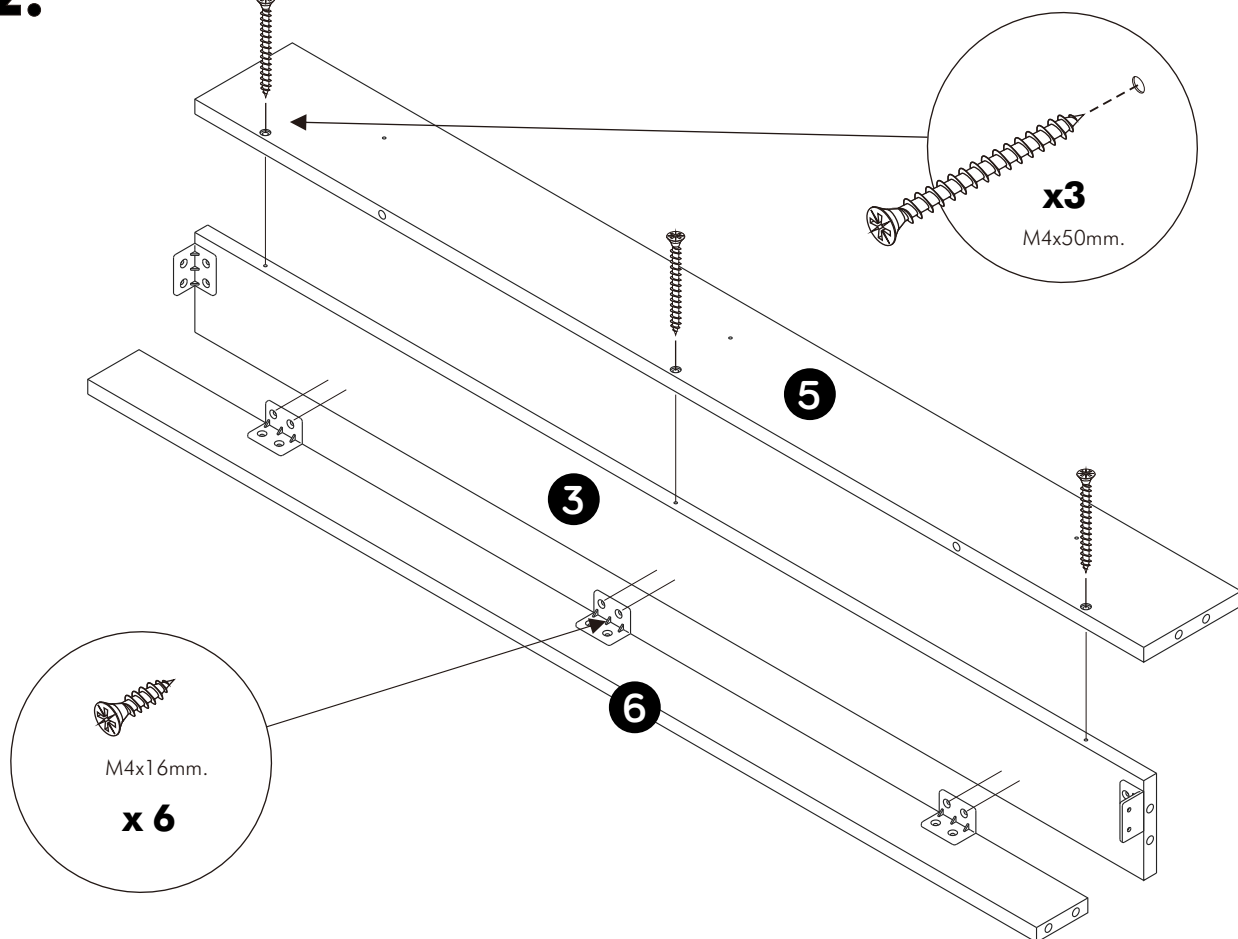
ASSEMBLY

-BODY SET

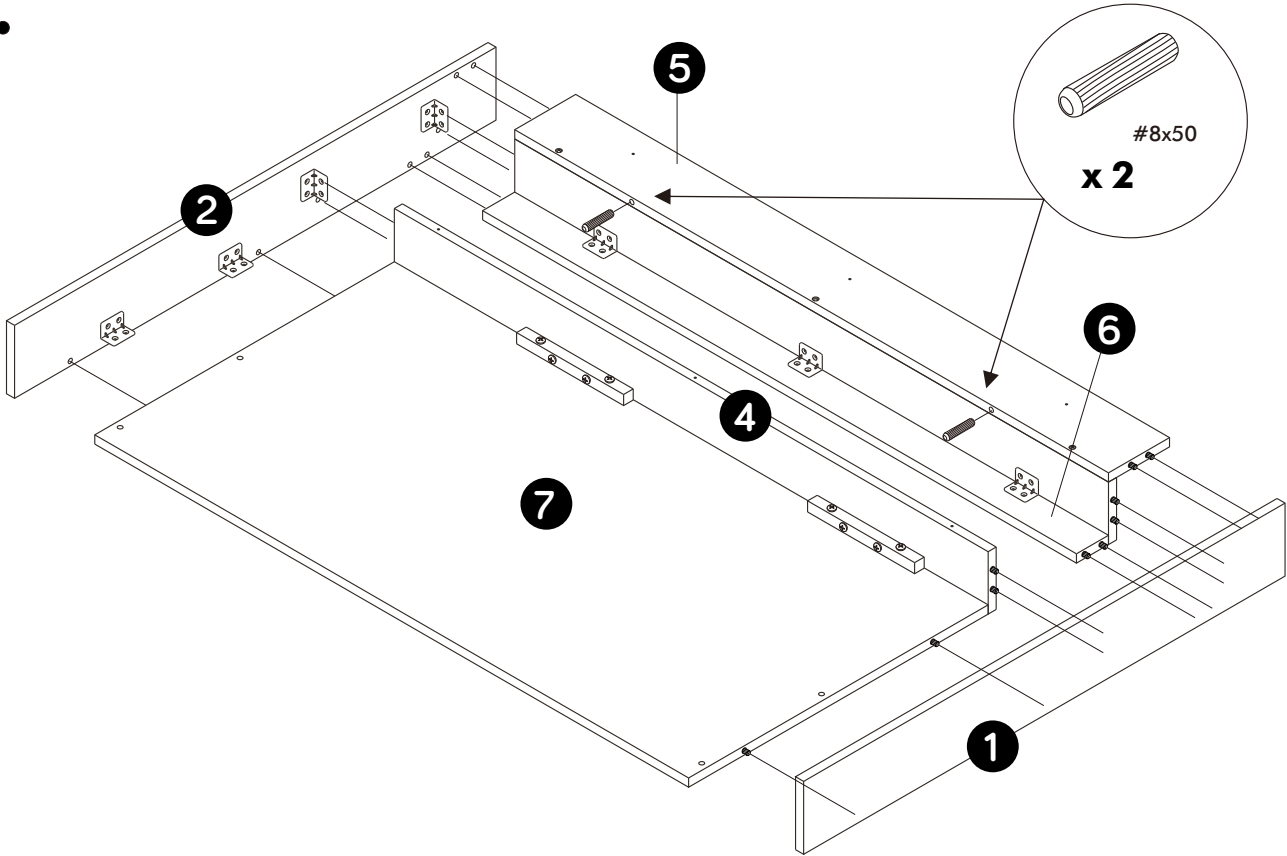
1.



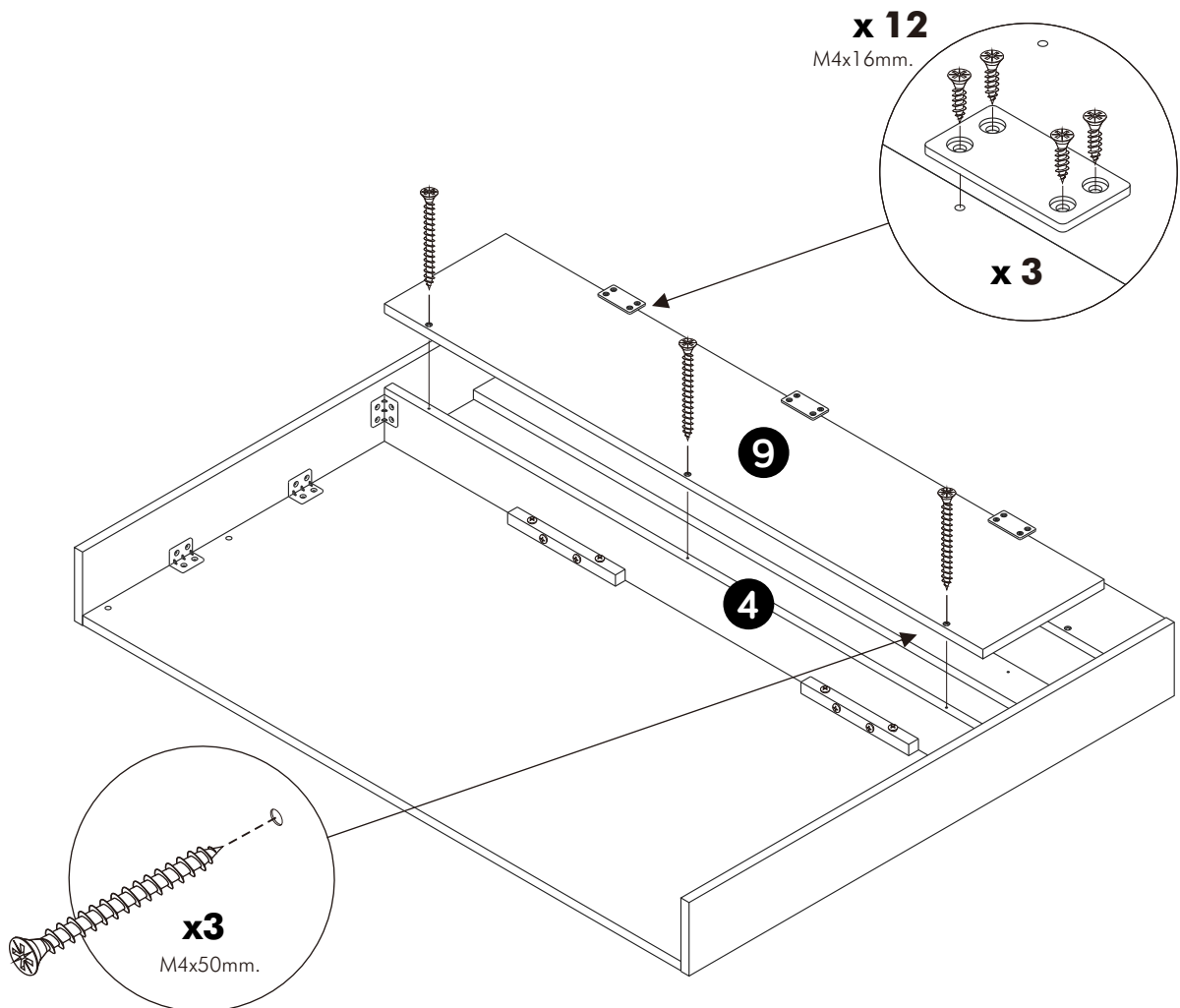
2.



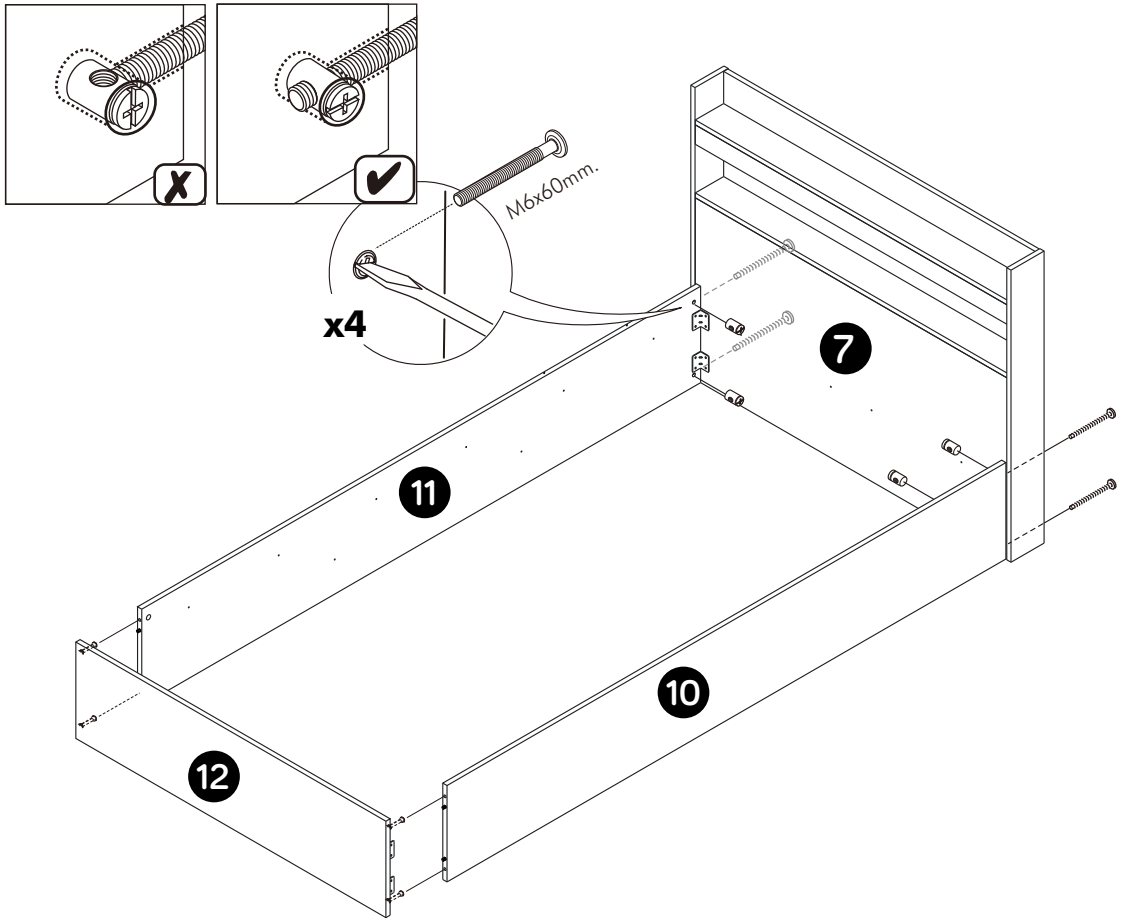
3.



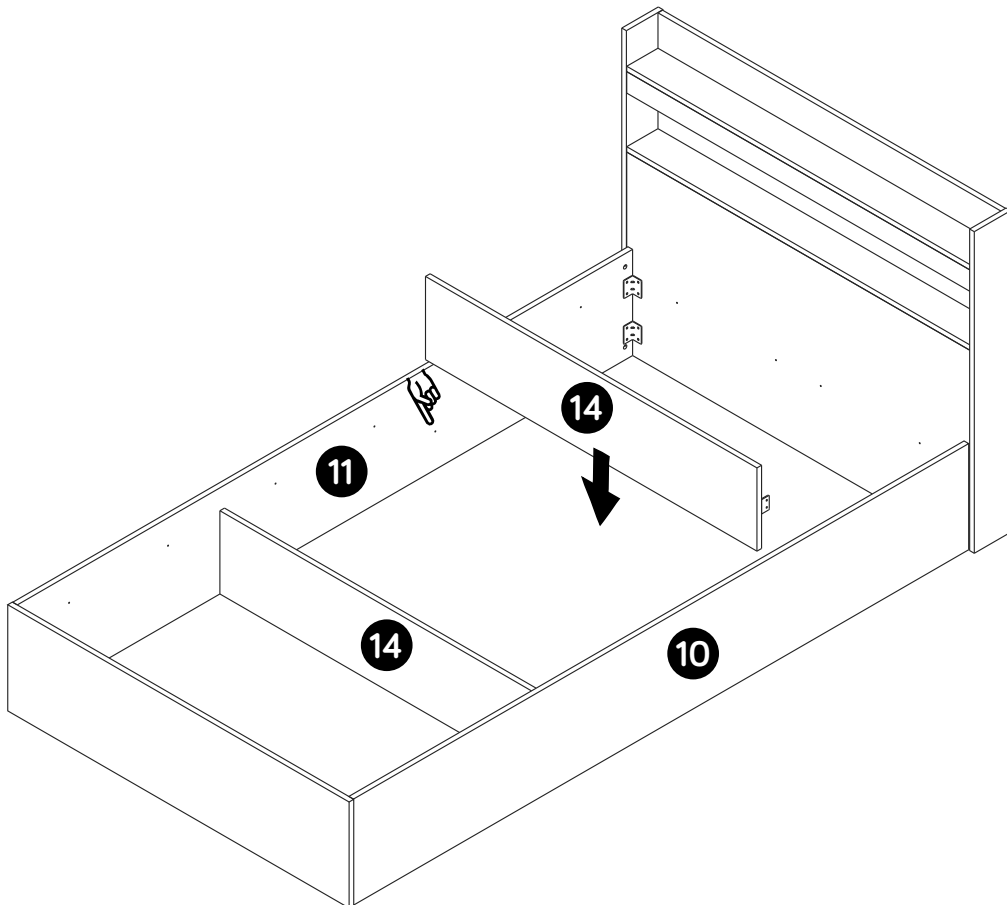
4.



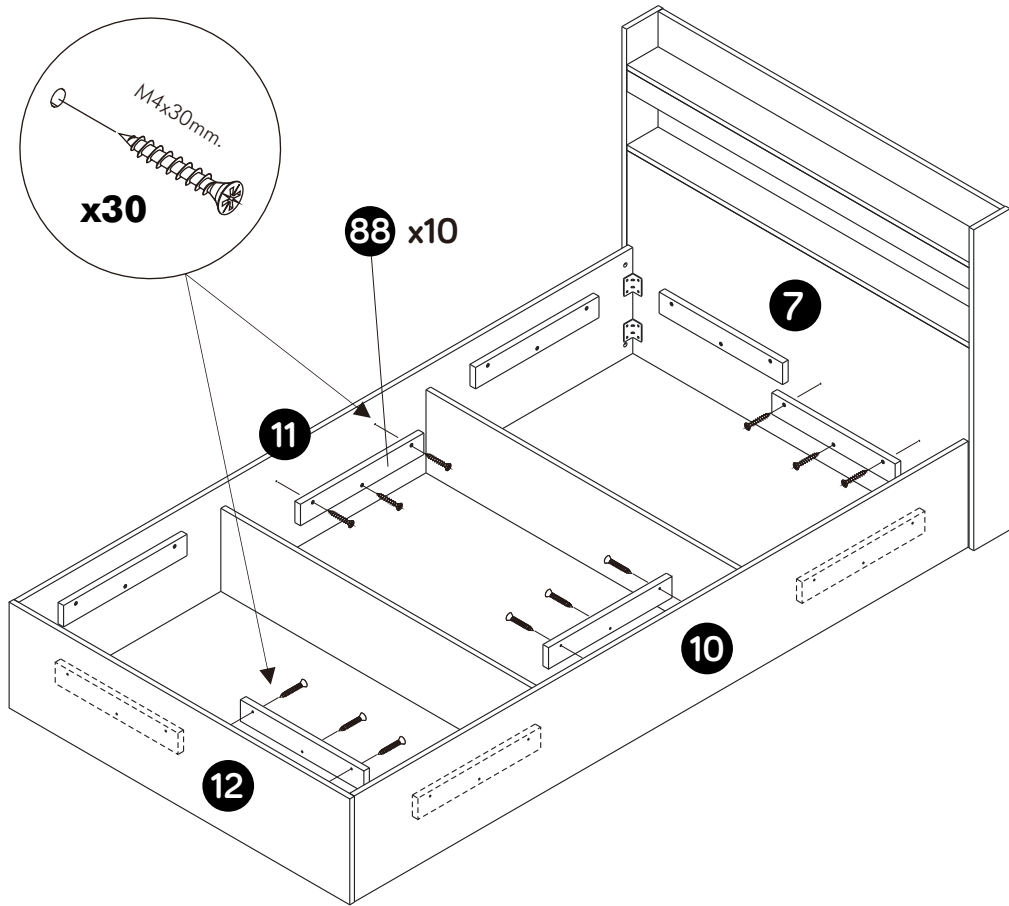
5.



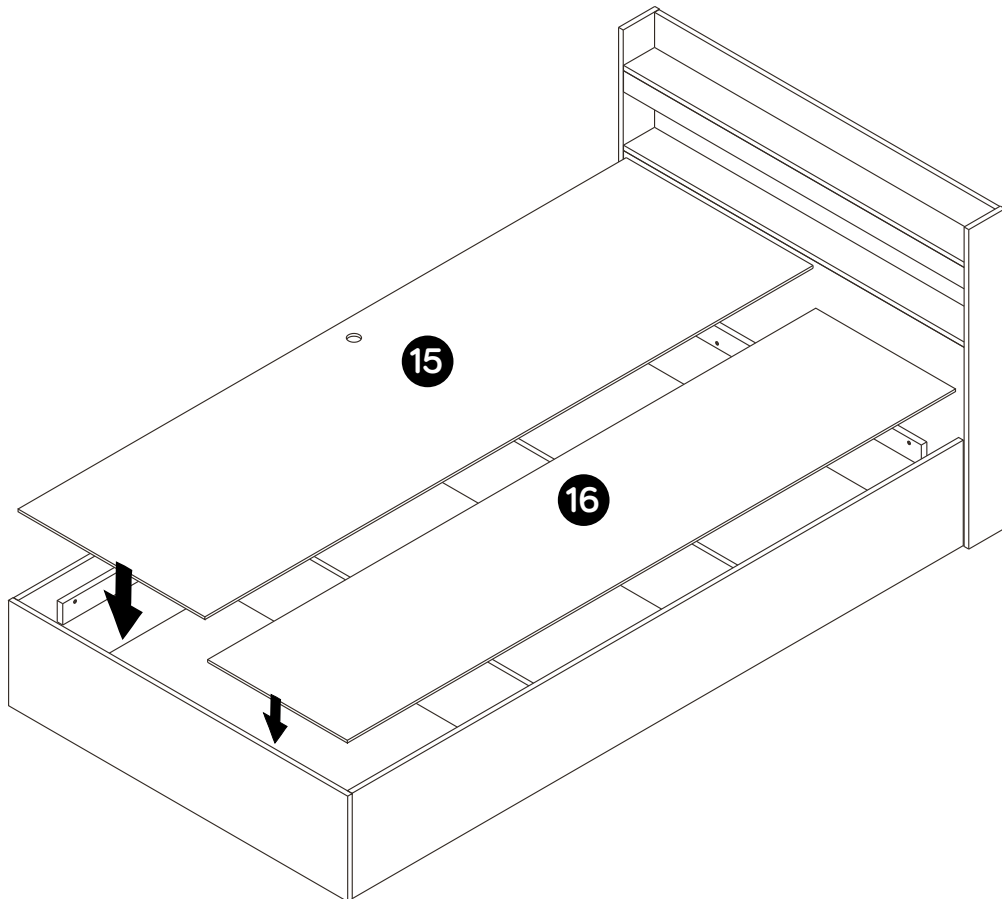
6.



7.



8.



9.

