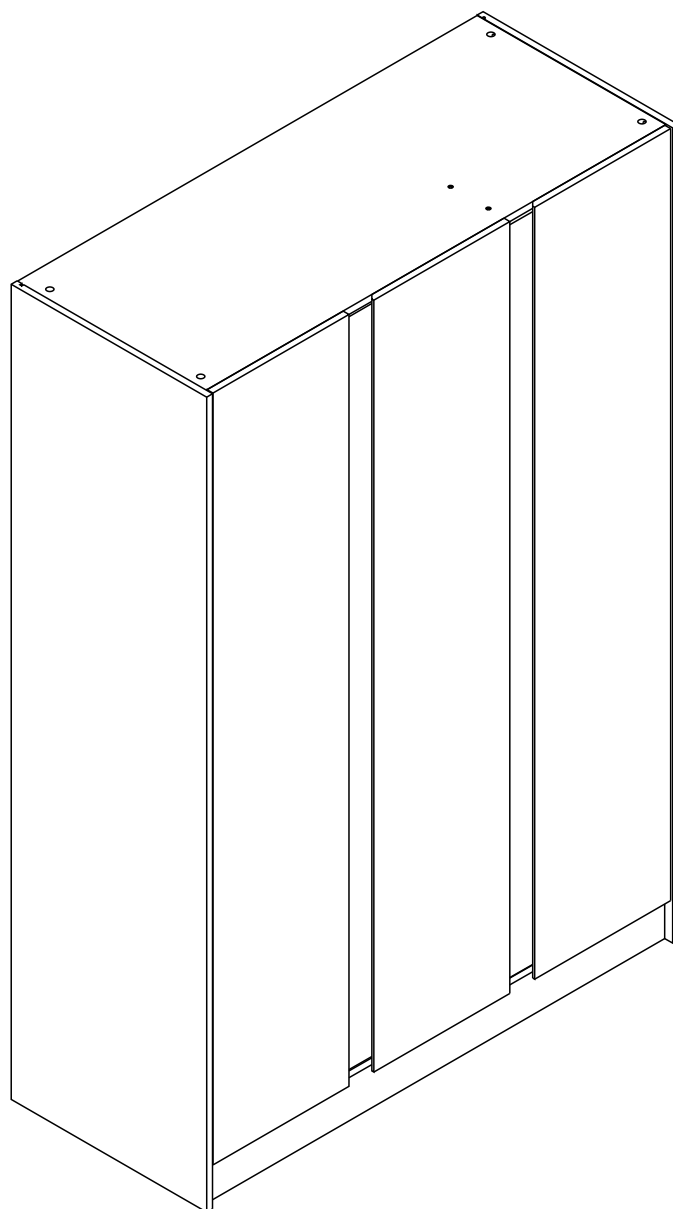


CHAMP

M01 WARDROBE 3 DOOR



CONNECT SYSTEM

1

3

2

(Connecting bolts)

WHEN FITTING CAMS
 ENSURE STARTING POSITION IS CORRECT
 BEFORE YOU INSERT CONNECTING BOLT
 TURN CLOCKWISE UNTIL SECURE

✓				✗
↑				
	CORRECT	WRONG		

M4x16mm.

i

40mm.

☹️

☒

EQ

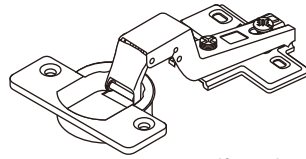
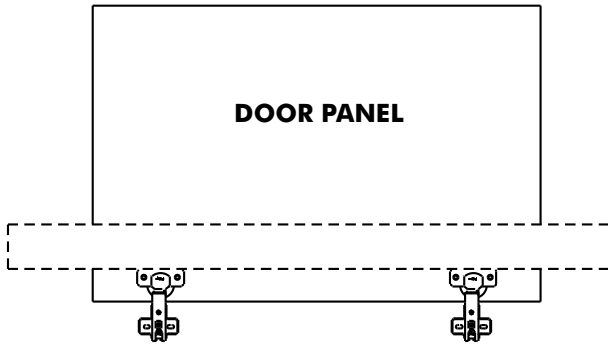
☺️

☑️

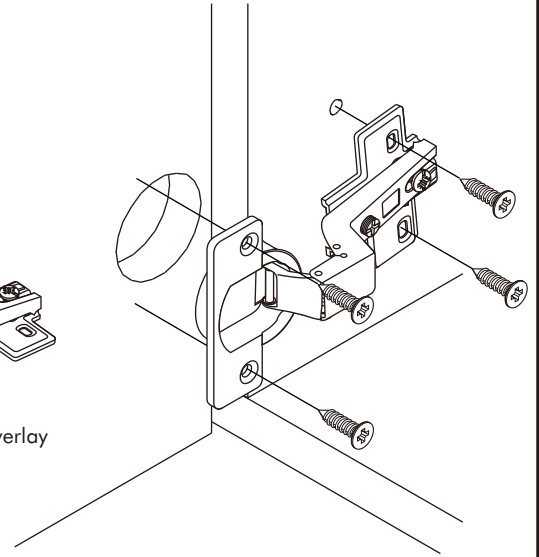
M4x16mm.



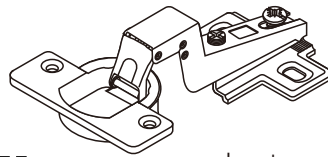
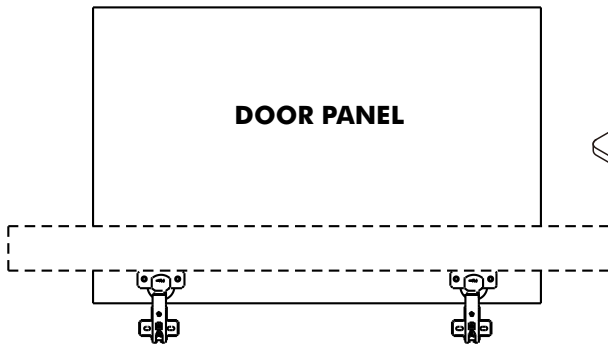
M4x16mm.



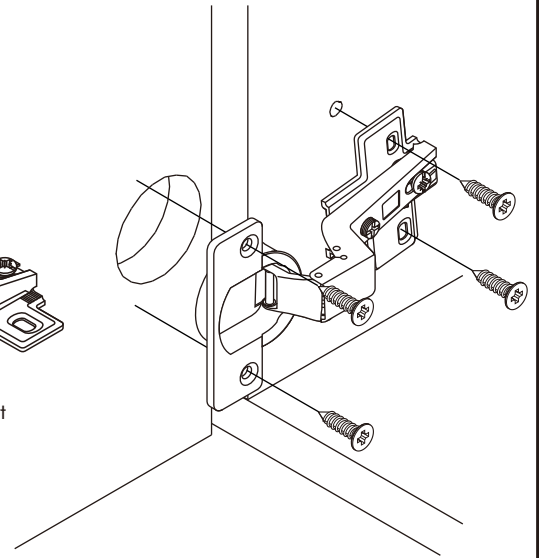
Half overlay



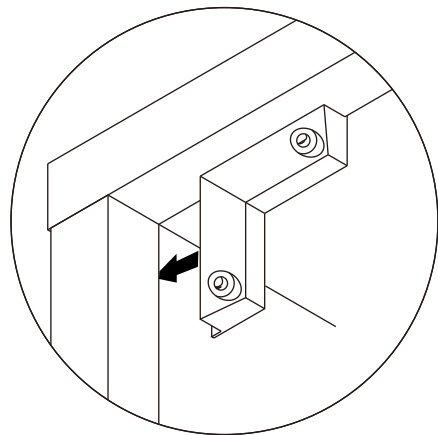
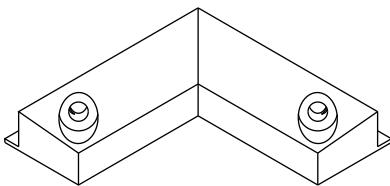
M4x16mm.



Insert

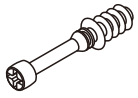


M3.5x20mm.



HARDWARE

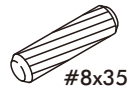
-BODY SET



x 10

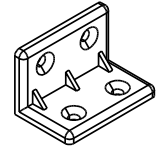


x 10

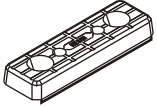


#8x35

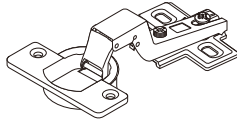
x 16



x 20

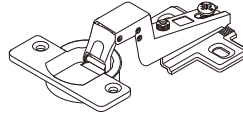


x 12



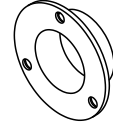
Half overlay

x 4

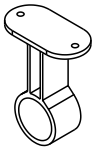


Insert

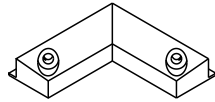
x 8



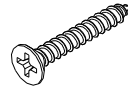
x 2



x 1

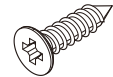


x 2



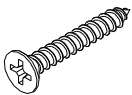
M3.5x20mm.

x 4



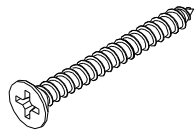
M4x16mm.

x 152



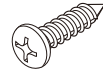
M4x25mm.

x 10



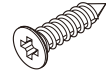
M4x40mm.

x 14



M3.5x13mm.

x 2



M3.5x13mm.

x 6



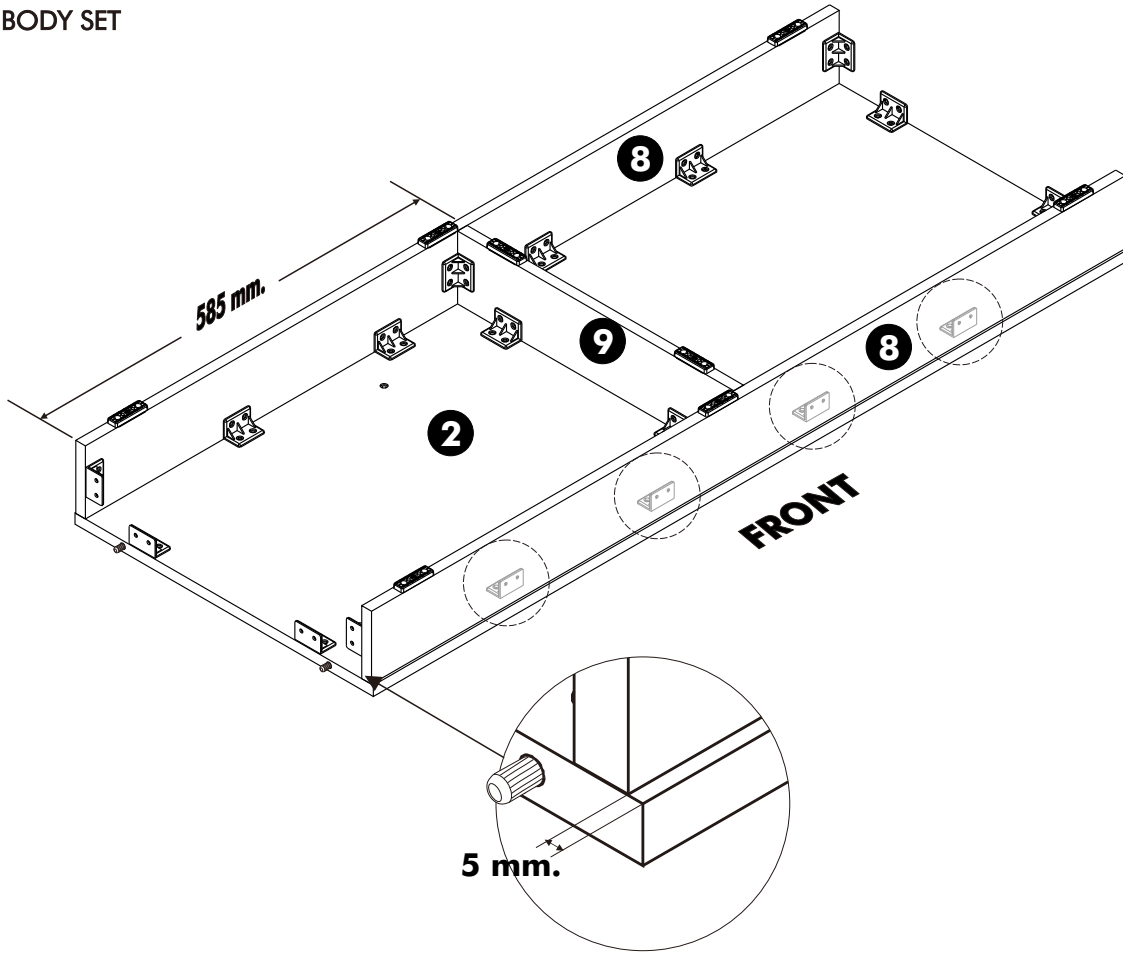
M4x13mm.

x 15

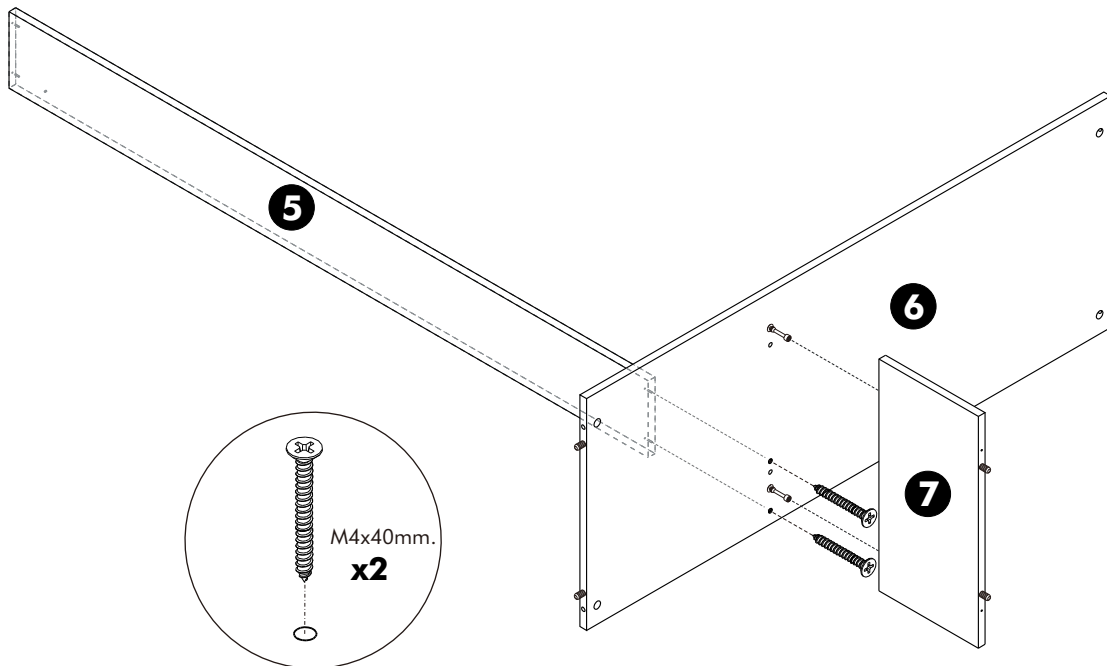
ASSEMBLY

-BODY SET

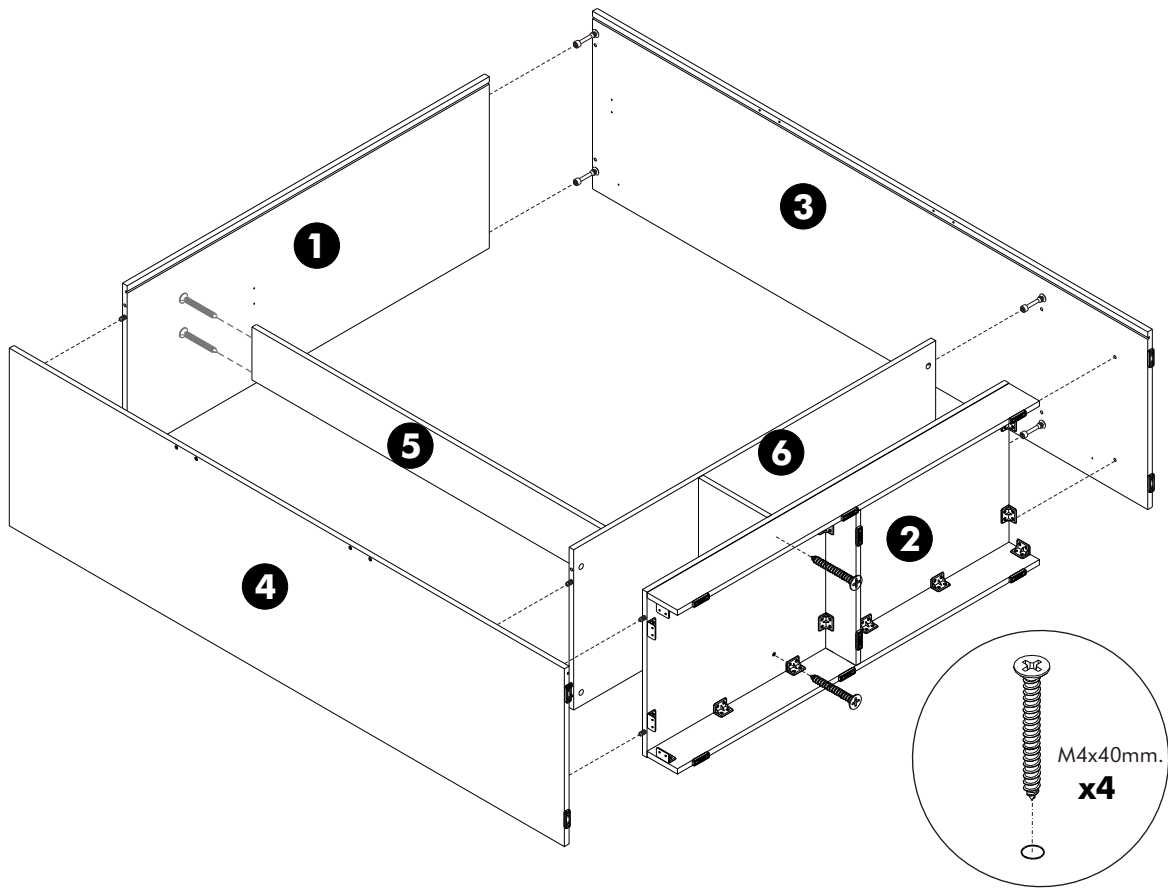
1.



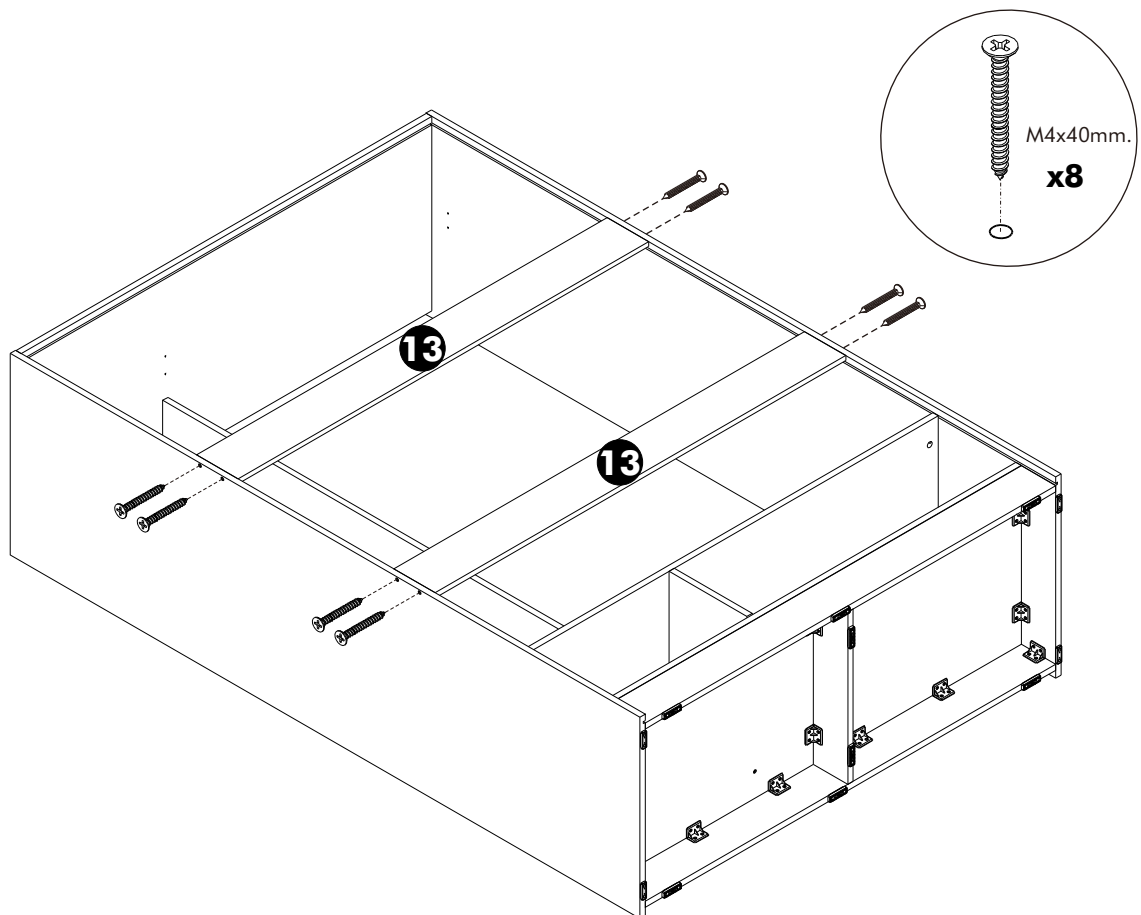
2.



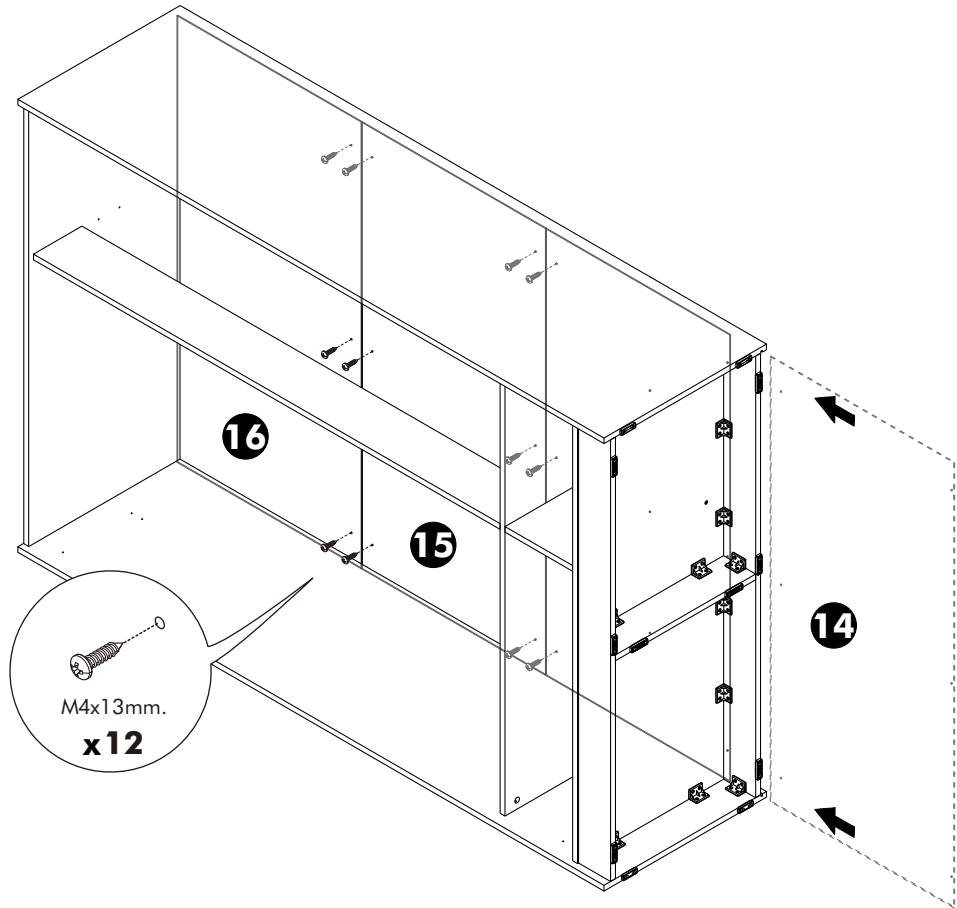
3.



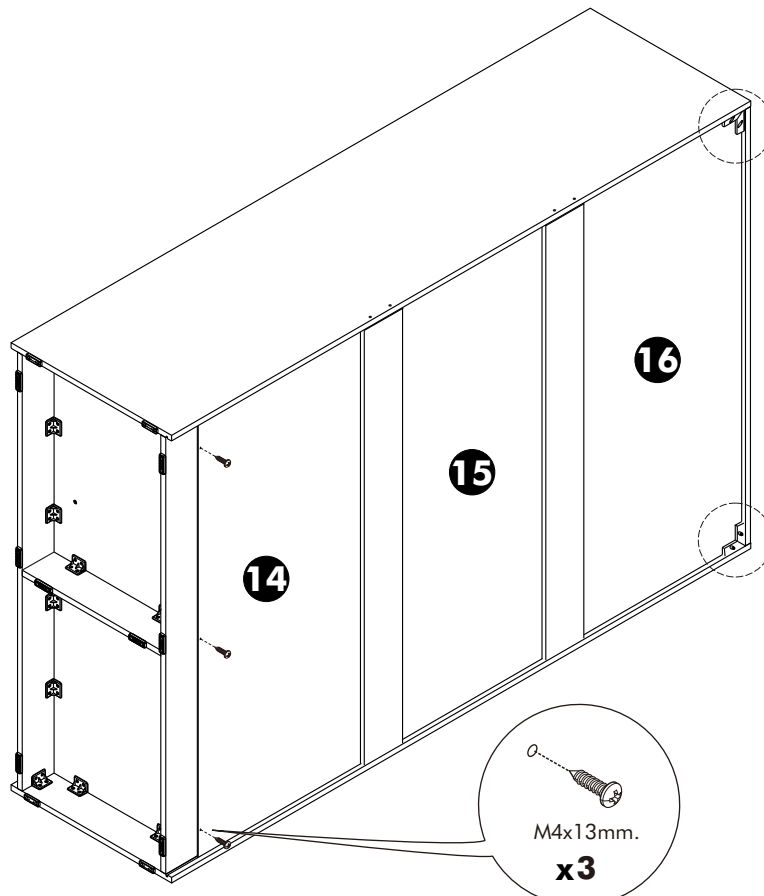
4.



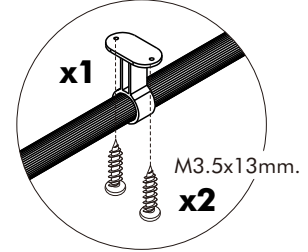
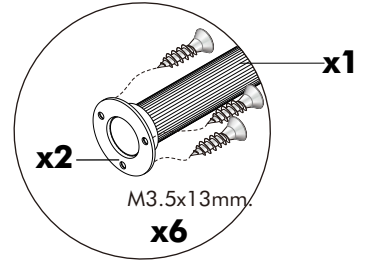
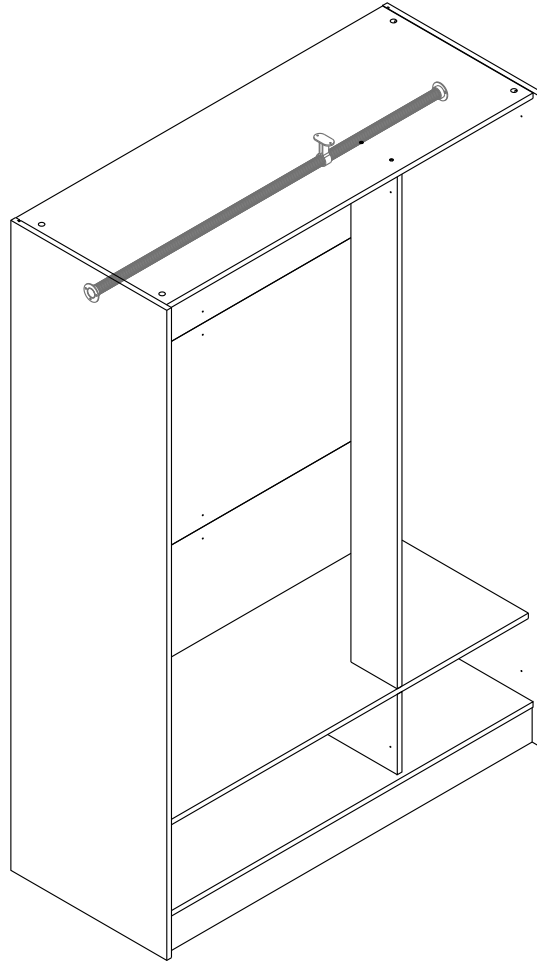
5.



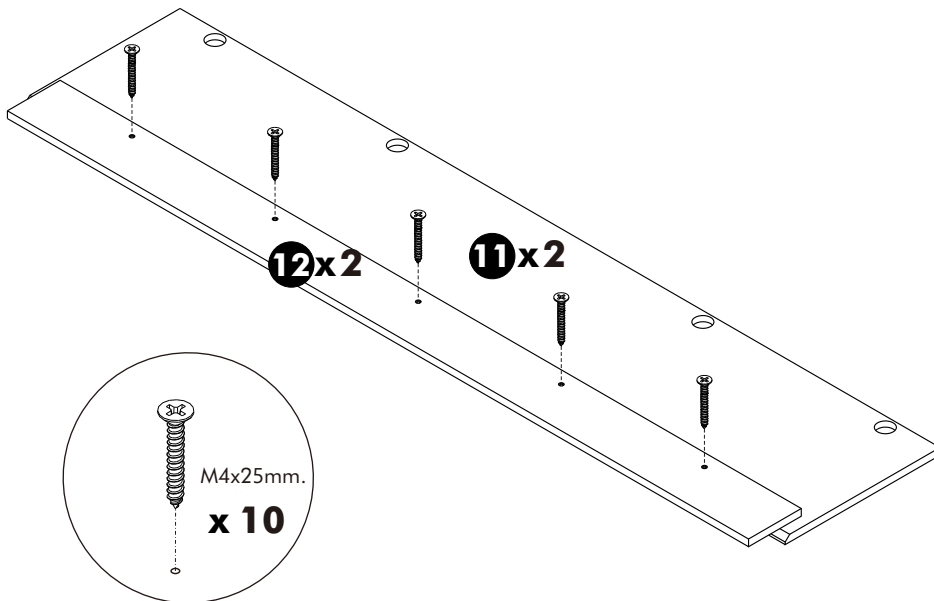
6.



7.



8.



9.

