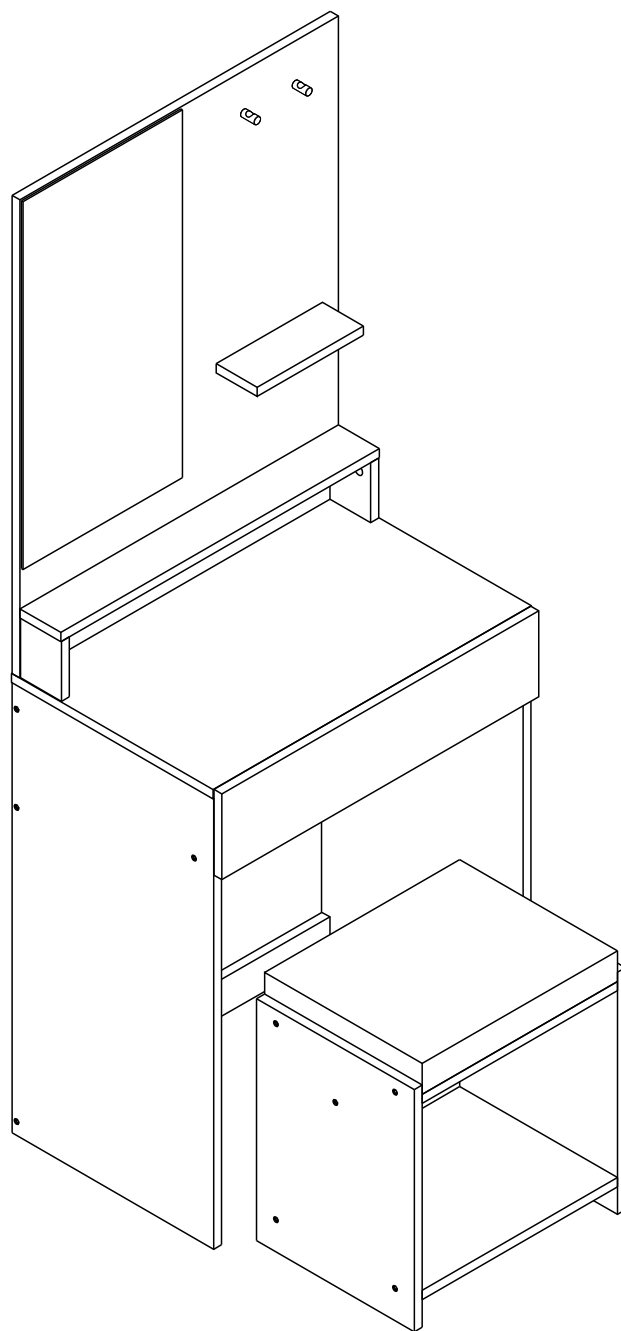


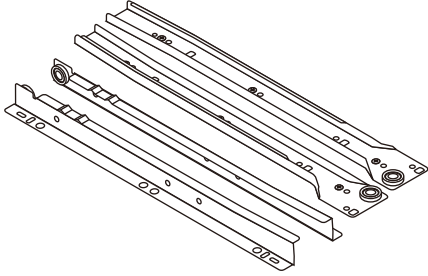
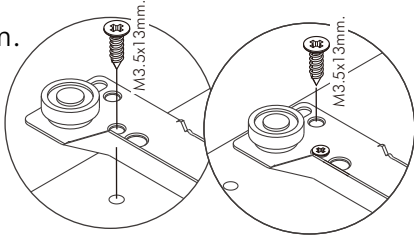
CHAMP

M01 DRESSING TABLE+STOOL

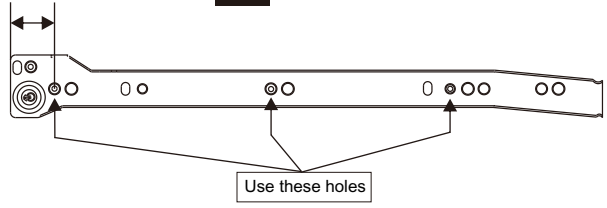




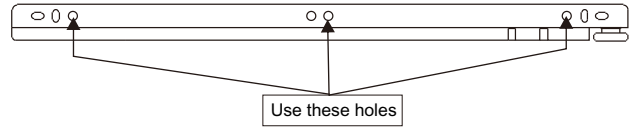
M3.5x13mm.



1

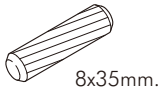


2



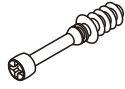
HARDWARE

-BODY SET



8x35mm.

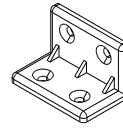
x 30



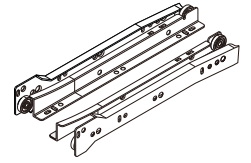
x 2



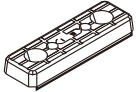
x 2



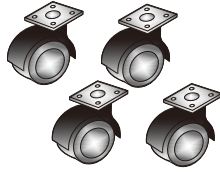
x 6



x 1set



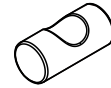
x 6



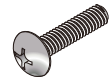
x 1set



x 2

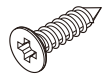


x 2



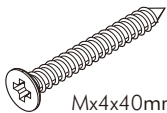
M4x18mm.

x 2



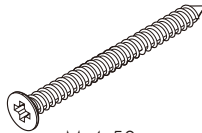
M4x16mm.

x 36



Mx4x40mm.

x 10



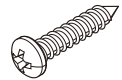
Mx4x50mm.

x 32



M3.5x13mm.

x 16



M4x25mm.

x 2



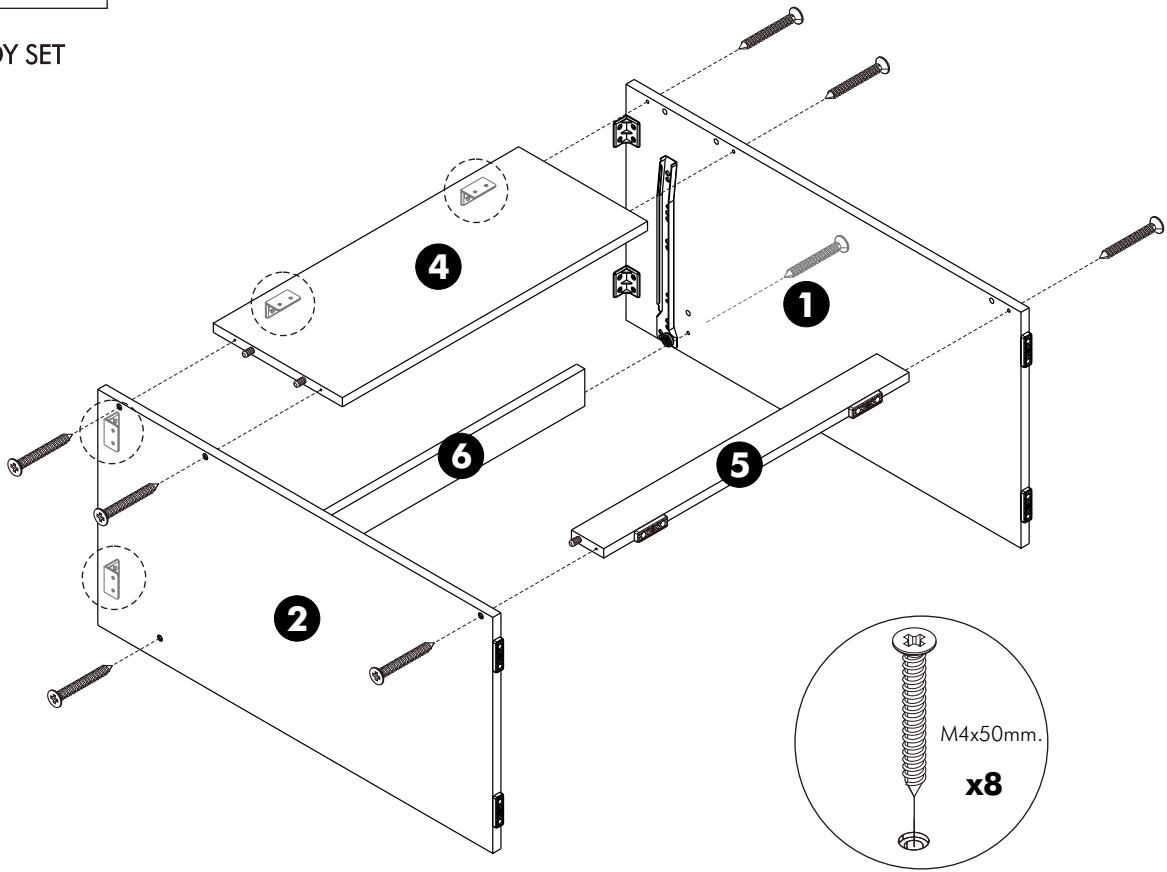
M3.5x13mm.

x 14

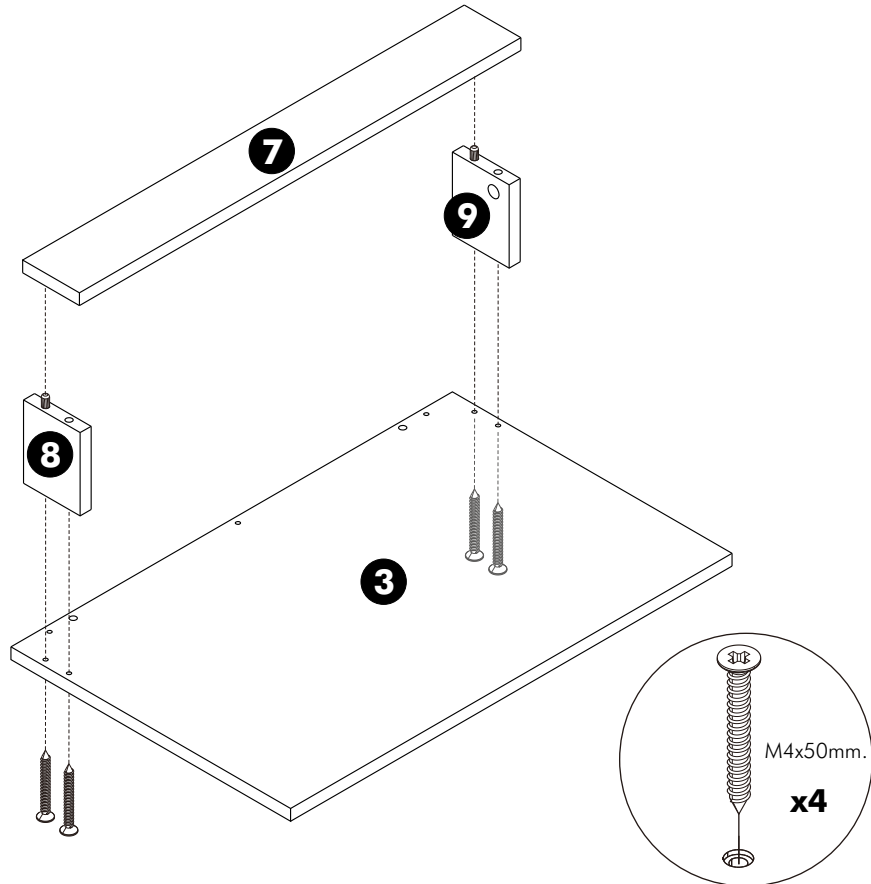
ASSEMBLY

-BODY SET

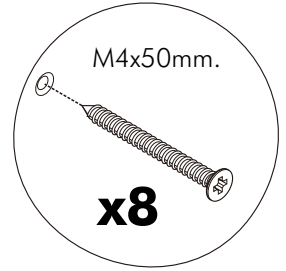
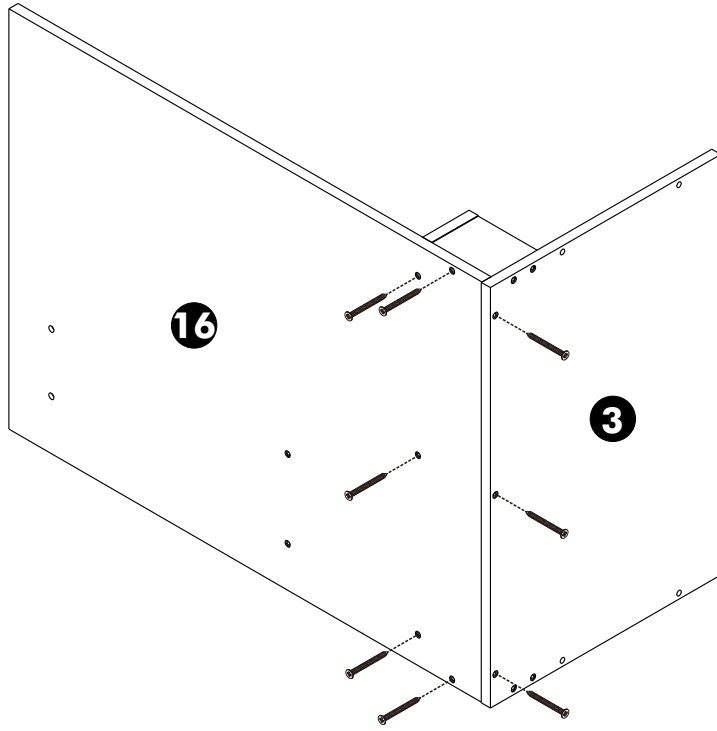
1.



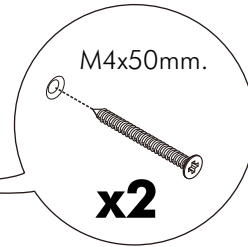
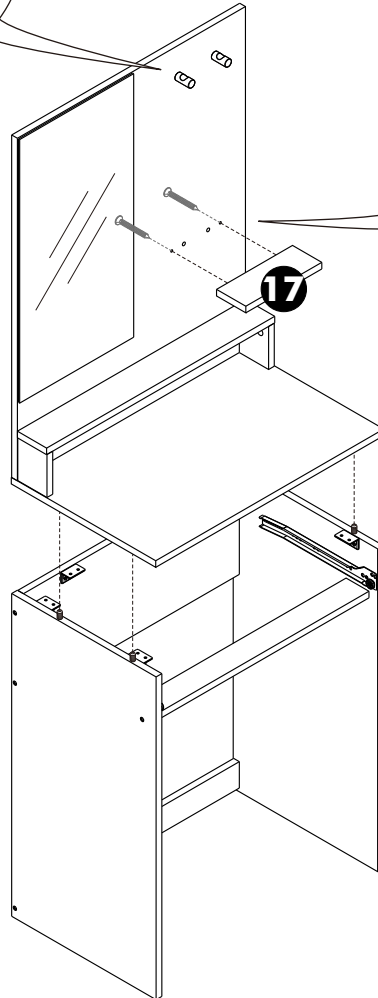
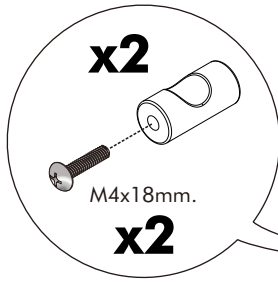
2.



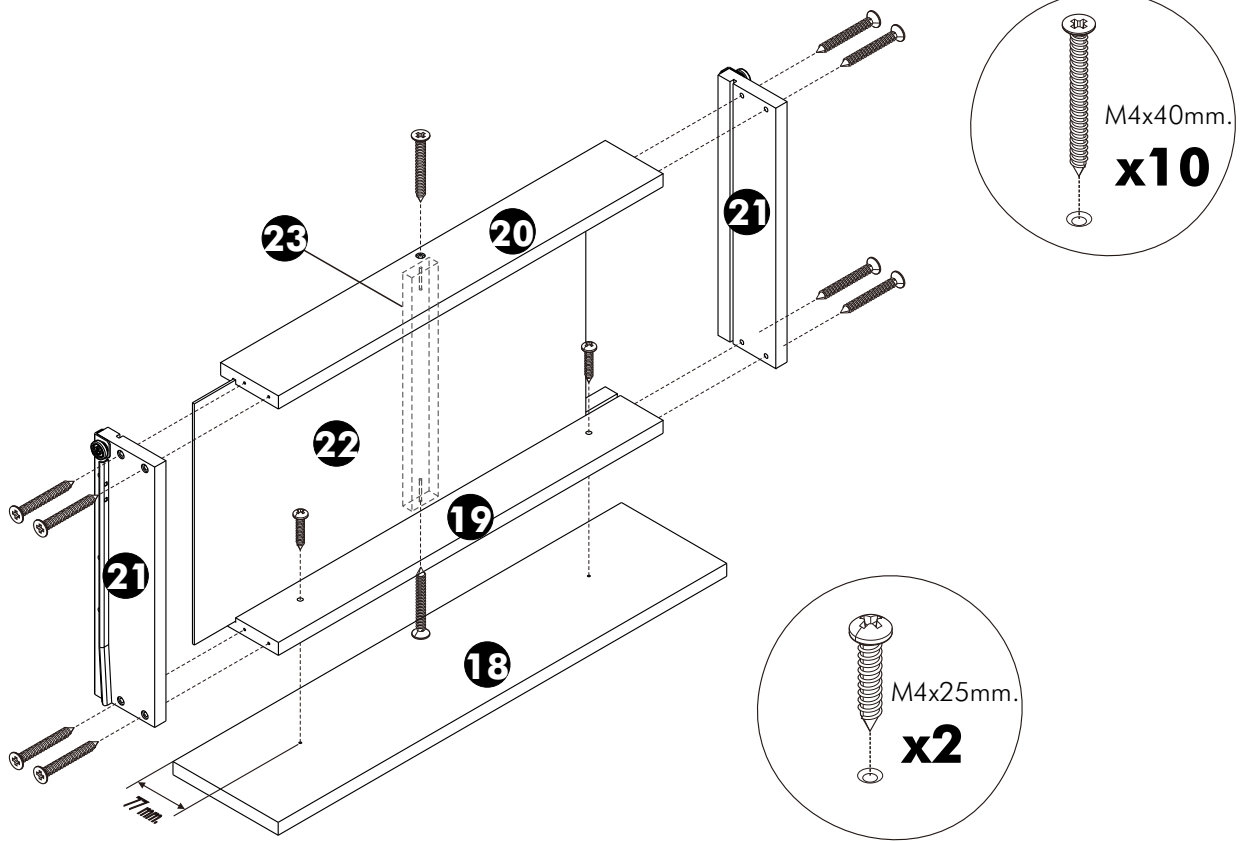
3.



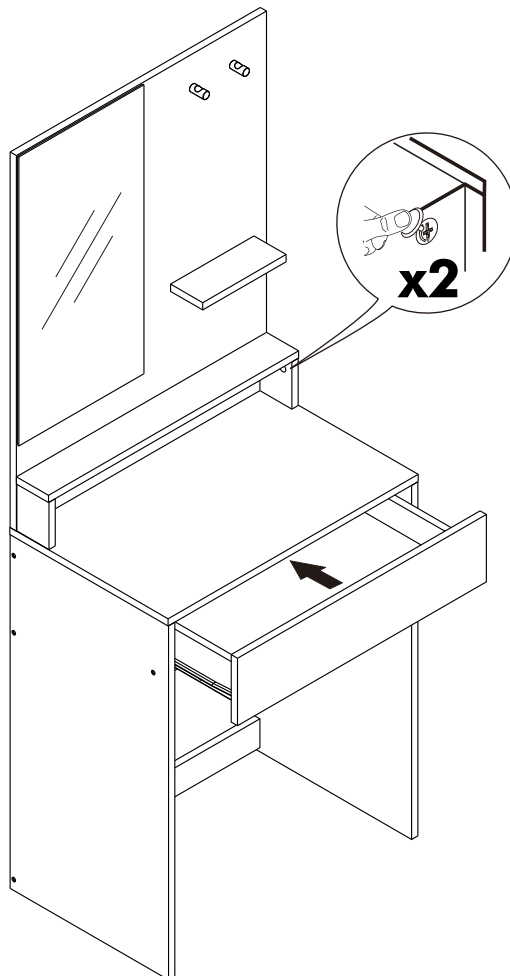
4.



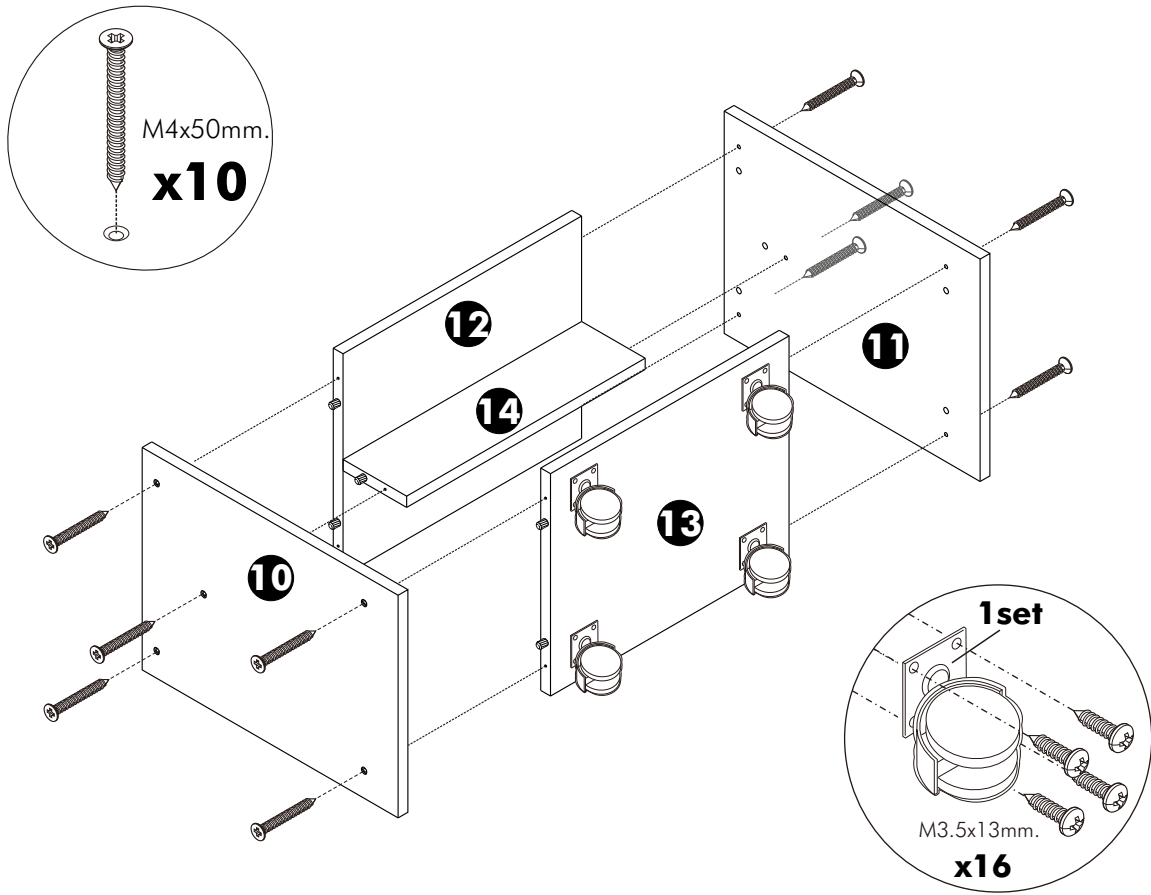
5.



6.



7.



8.

