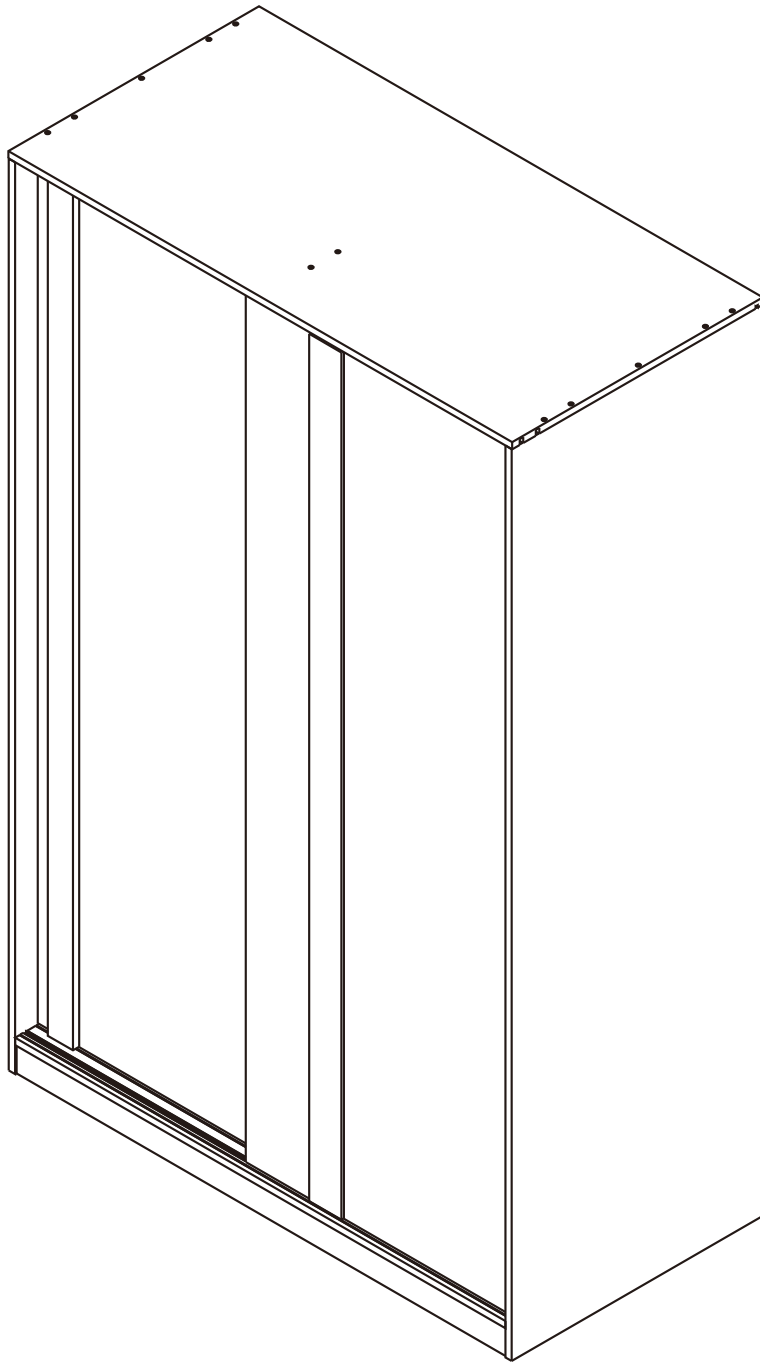
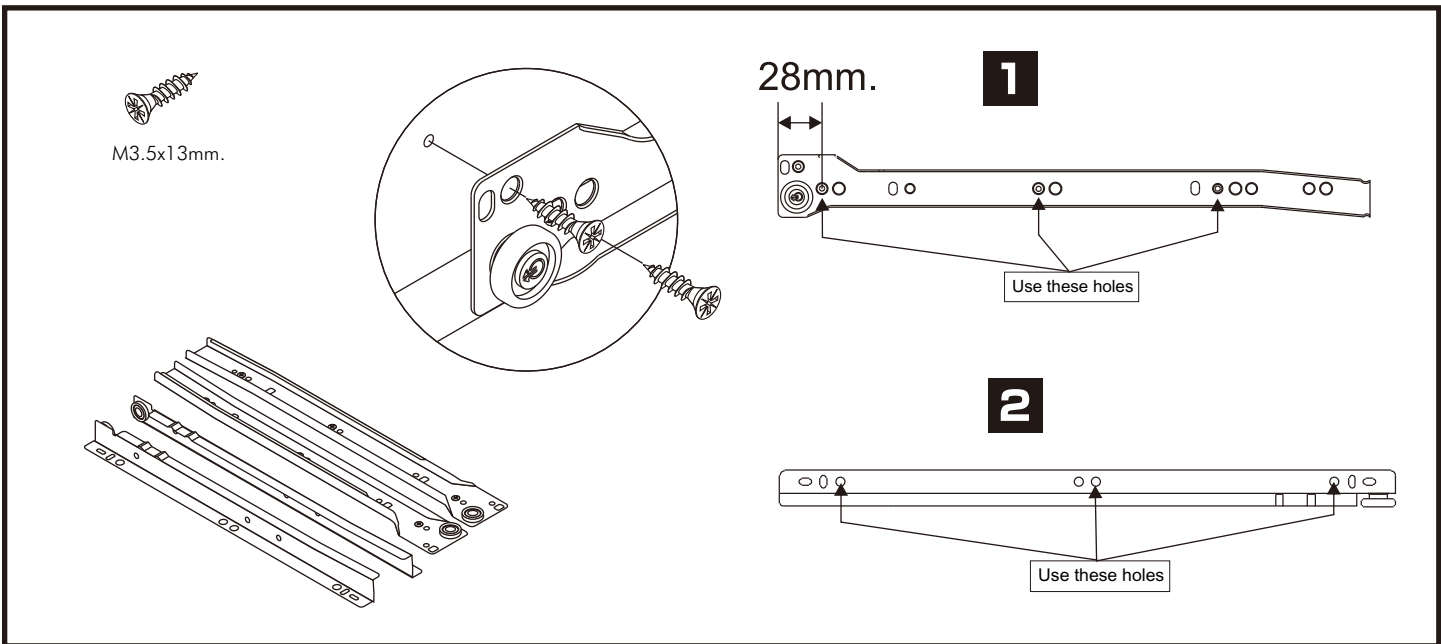
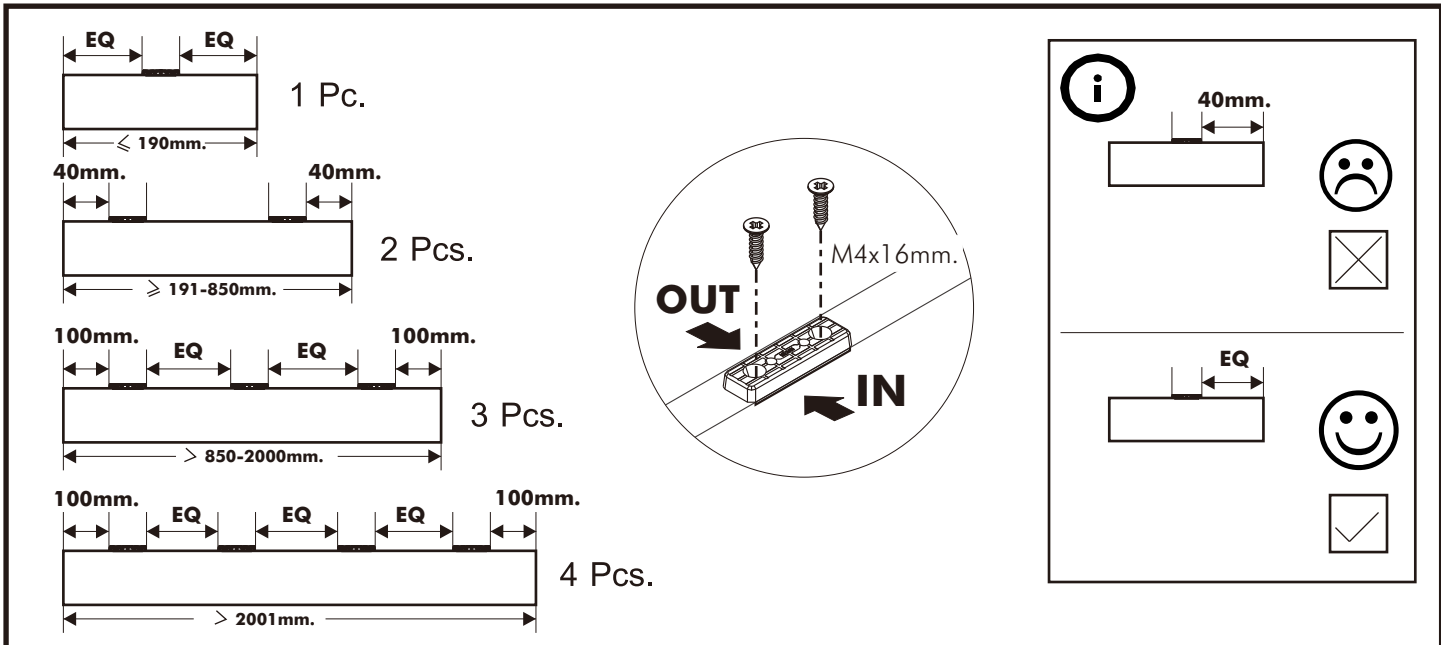
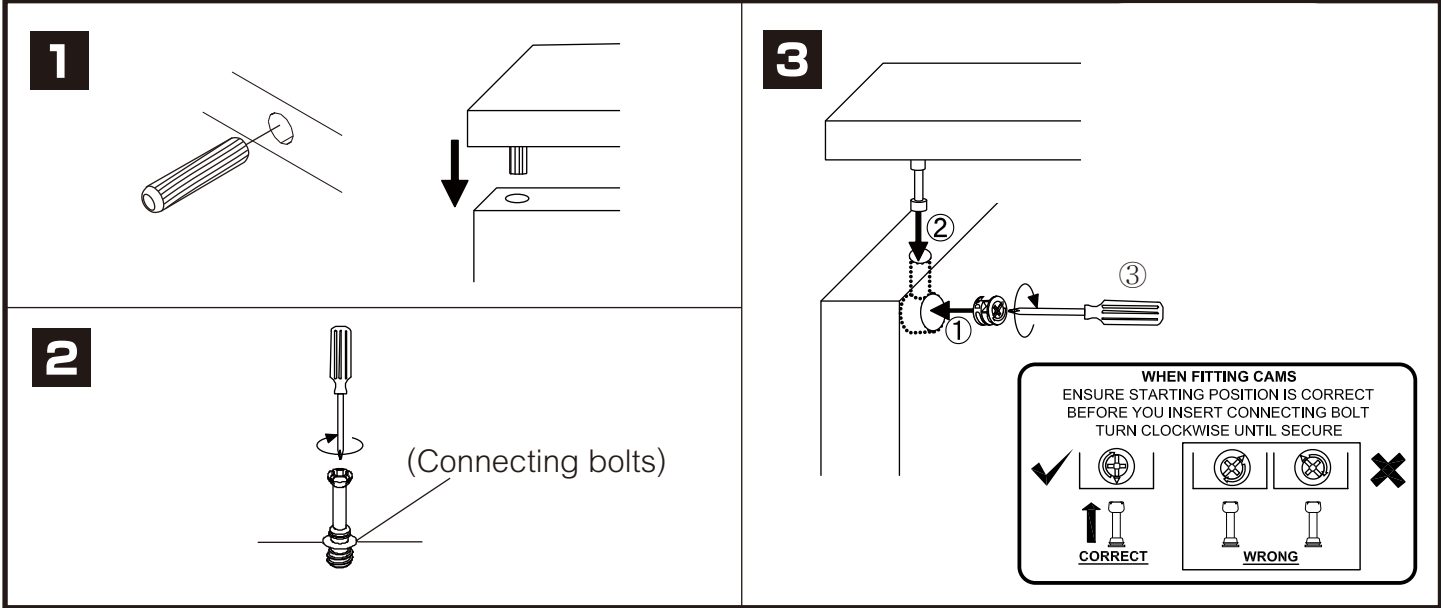


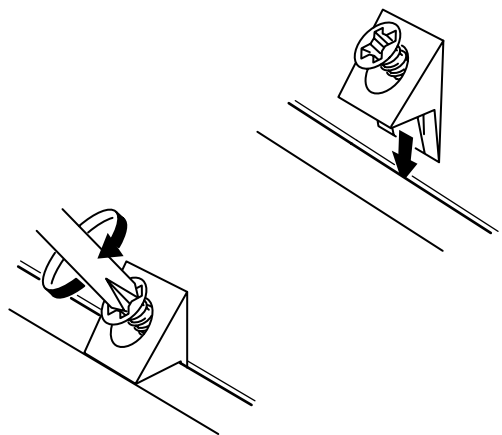
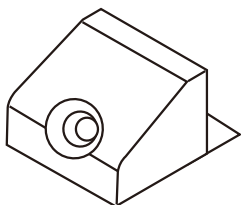
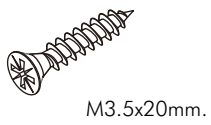
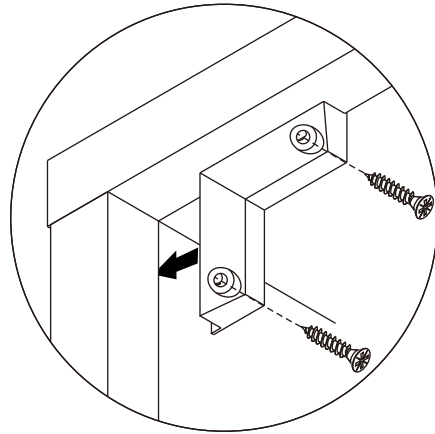
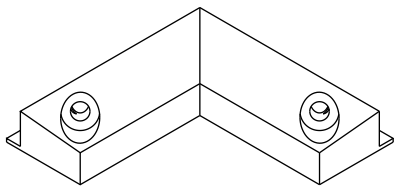
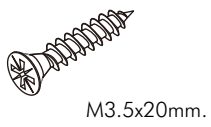
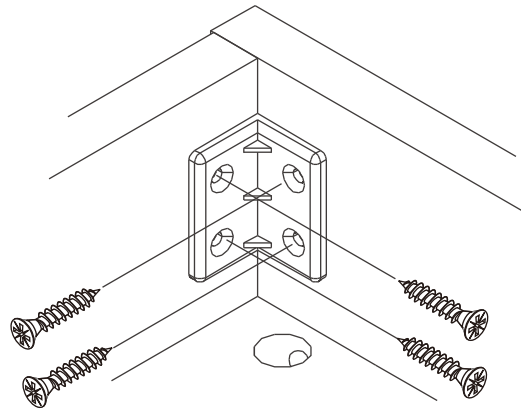
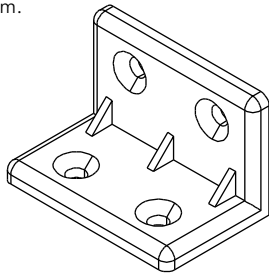
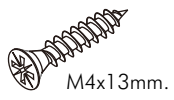
MARYDEL

Wardrobe slide 120 cm.



CONNECT SYSTEM





x2



The Standard for identifying which mounted safety fall protection fitting to use **Note : That children's products must be installed with all anti-falling fittings.**

■ Mounted fall protection fittings



■ Category : Cabinet with open doors



■ Category : Chest of drawers



■ Category : Sliding door cabinet / Open cabinet



HARDWARE

-BODY SET



x 3

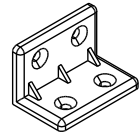


x 3

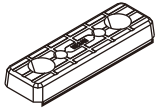


#8x35

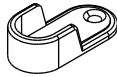
x 18



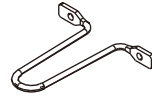
x 13



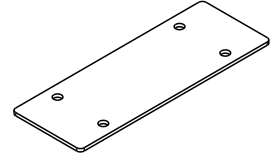
x 12



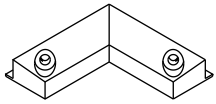
x 4



x 1



x 4



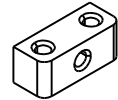
x 2



x 14



x 2



x 6



x 8



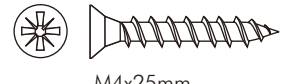
M4x16mm.

x 24



M4x13mm.

x 68



M4x25mm.

x 18



M3.5x13mm.

x 8



M4x13mm.

x 2



M3.5x13mm.

x 16



M4x50mm.

x 33



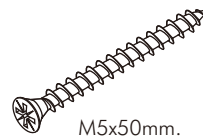
M3.5x20mm.

x 16



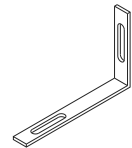
M4x16mm.

x 11

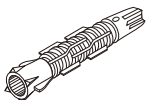


M5x50mm.

x 2



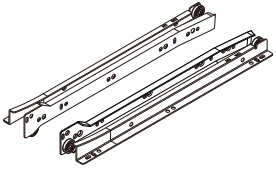
x 2



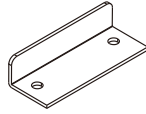
x 2

HARDWARE

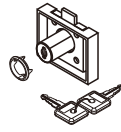
-DRAWER SET



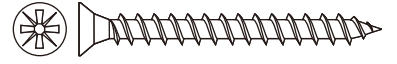
x 1



x 1



x 1



M4x40mm.

x 10



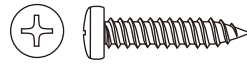
4x1/2"

x 2



M3.5x13mm.

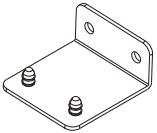
x 14



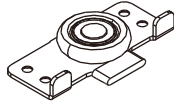
M4x25mm.

x 2

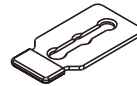
-DOOR SET



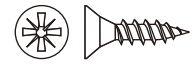
x 2



x 4



x 4



M4x13mm.

x 24



M4x25mm.

x 5



M4x30mm.

x 15



M4x13mm.

x 4

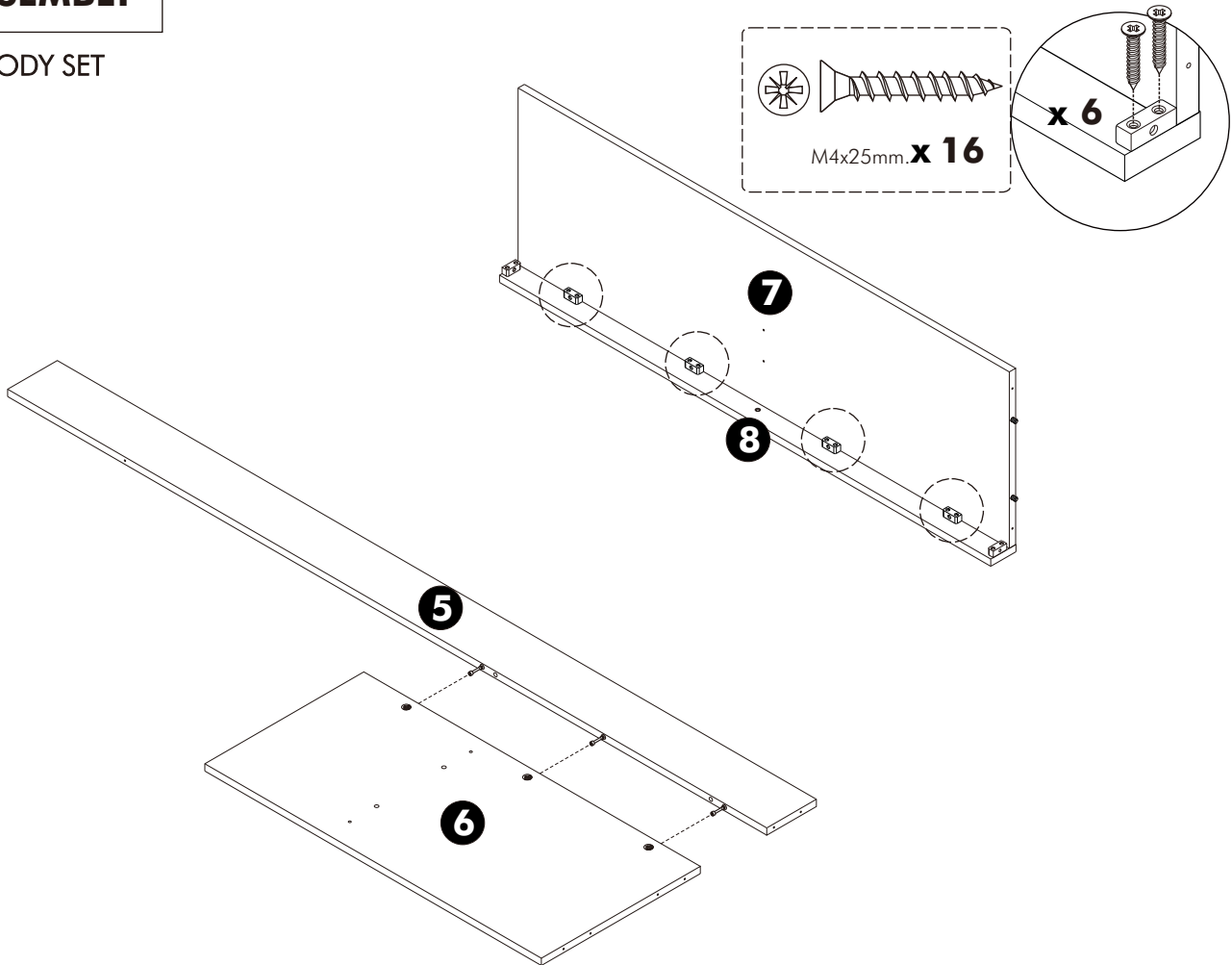


x 6

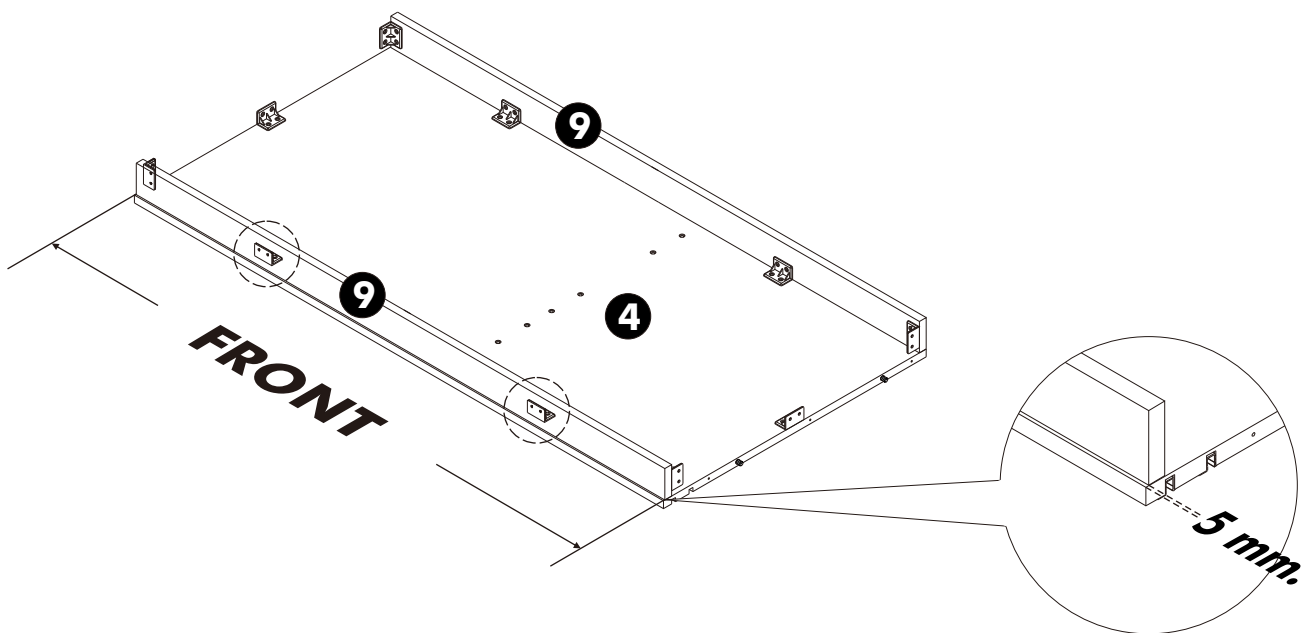
ASSEMBLY

-BODY SET

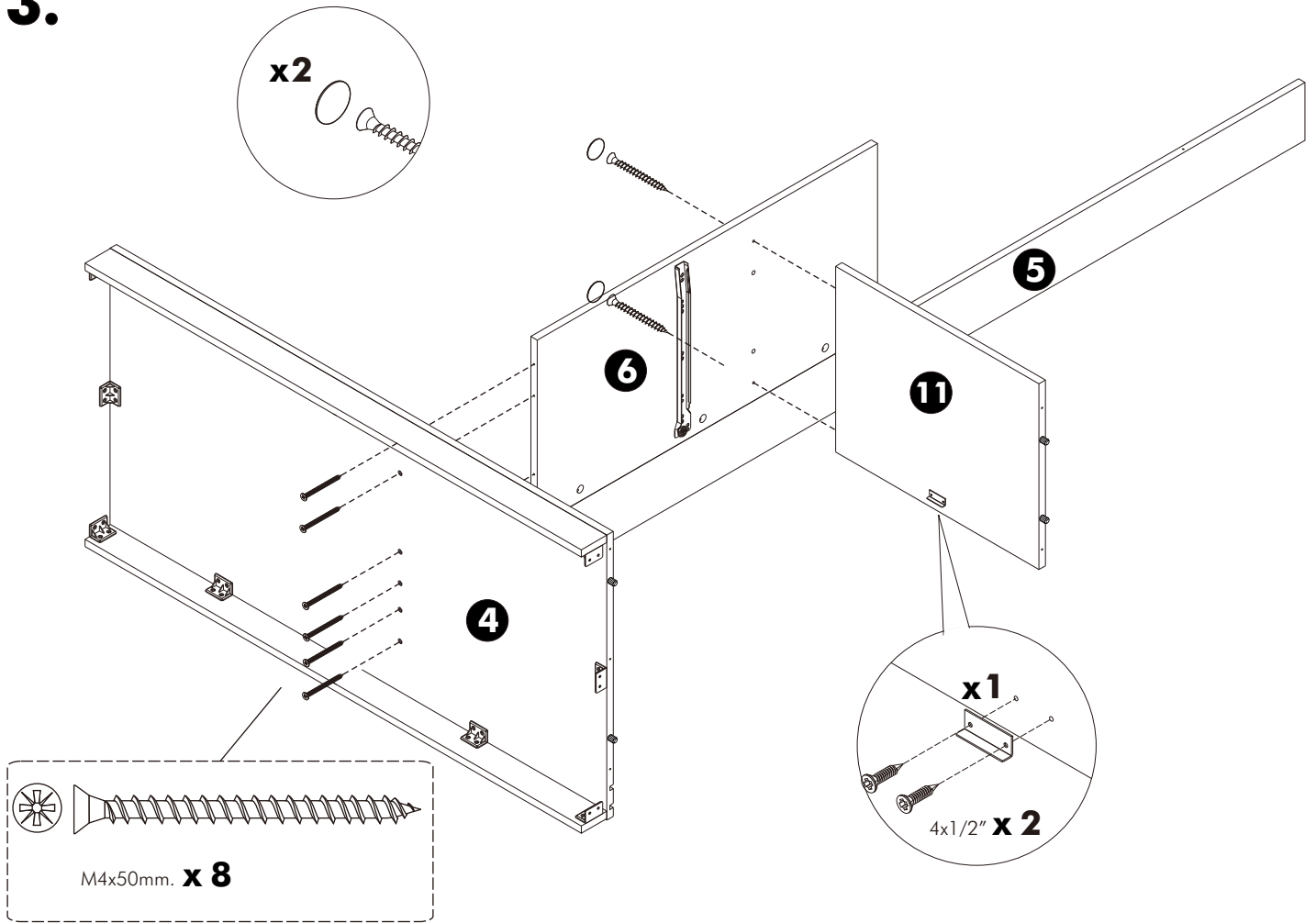
1.



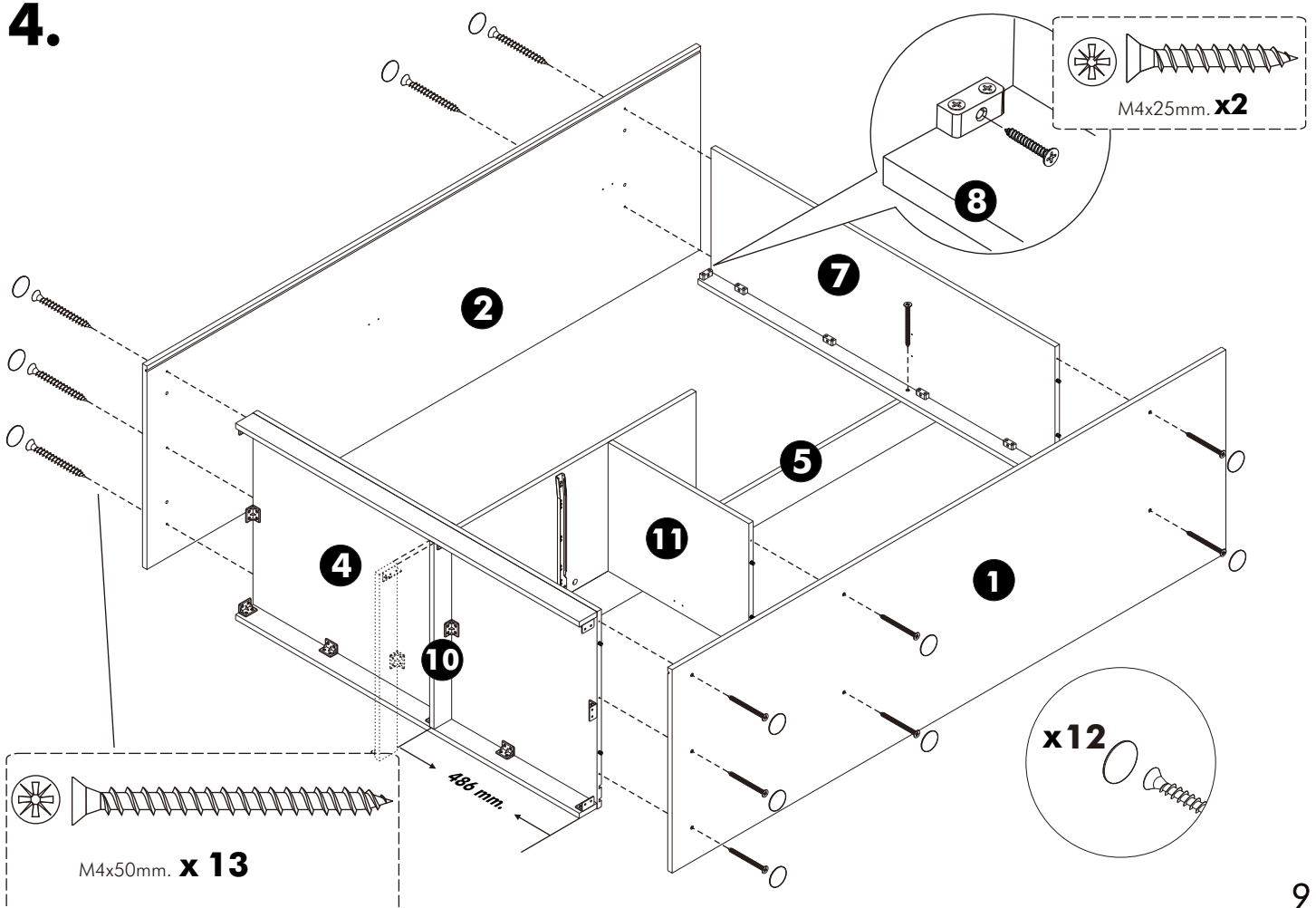
2.



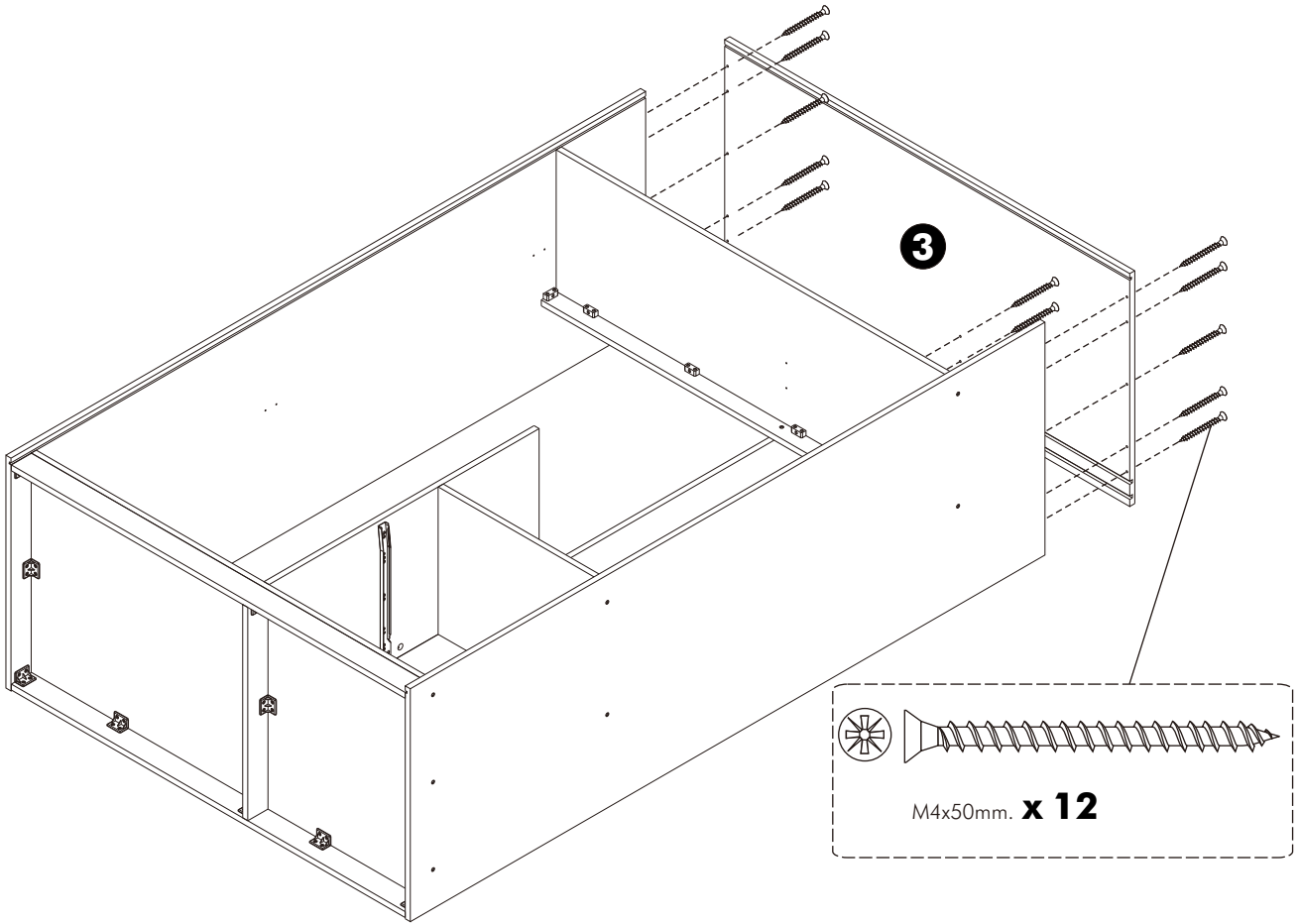
3.



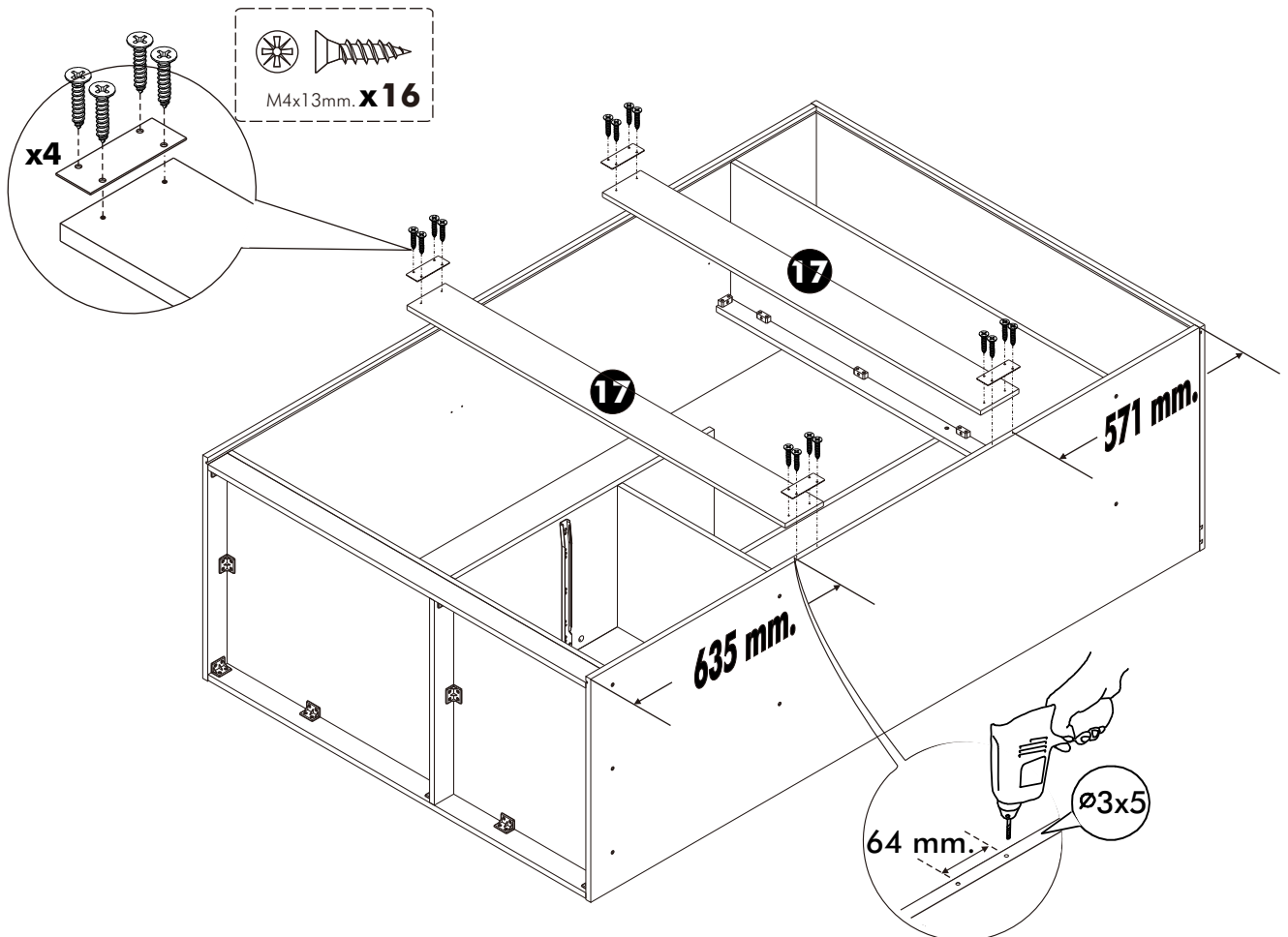
4.



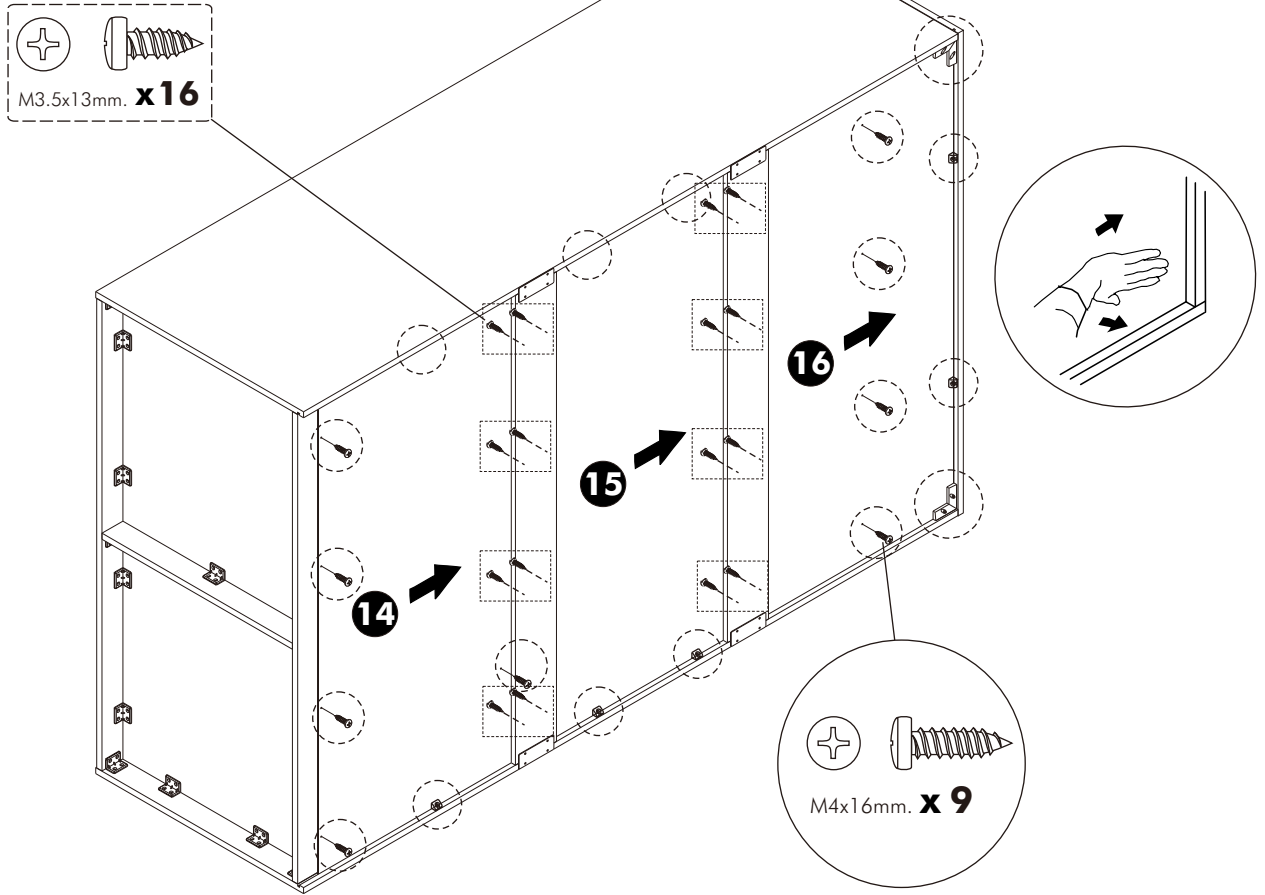
5.



6.



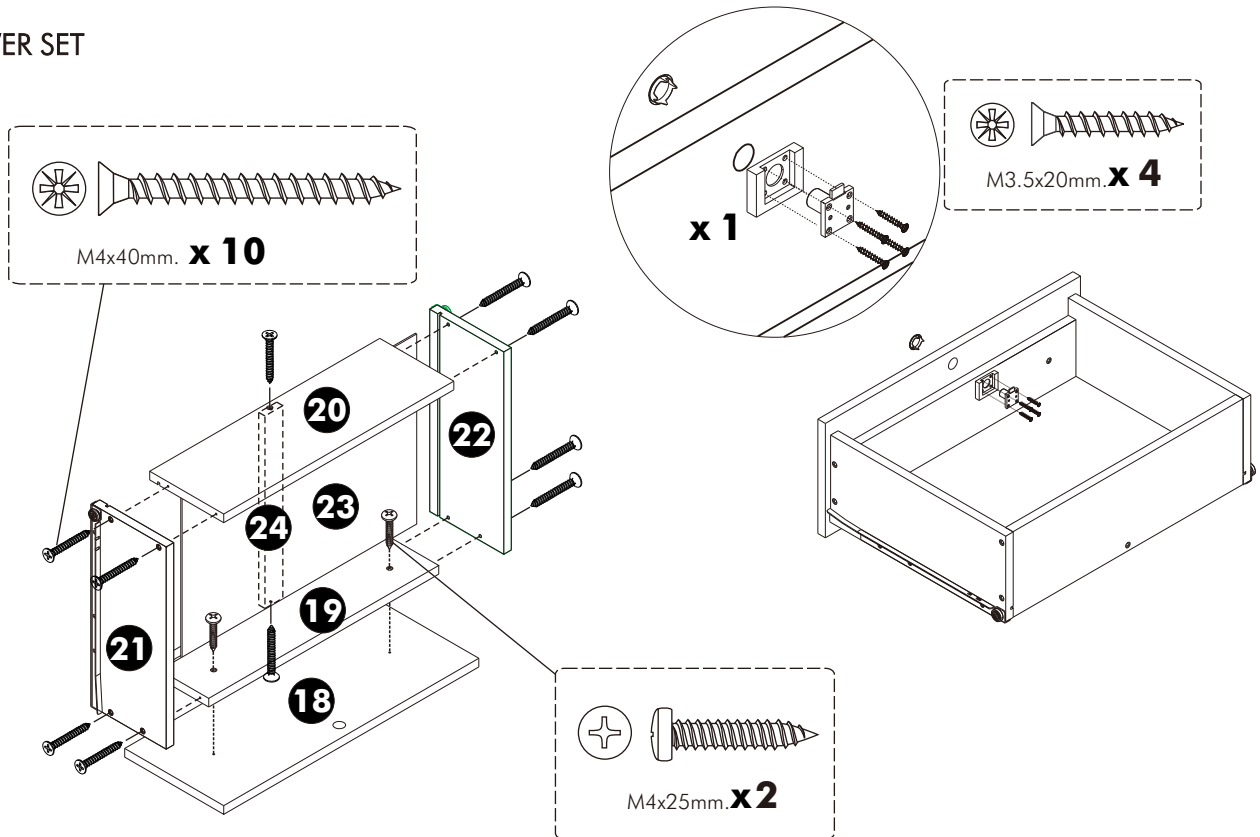
7.



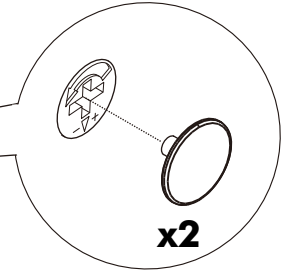
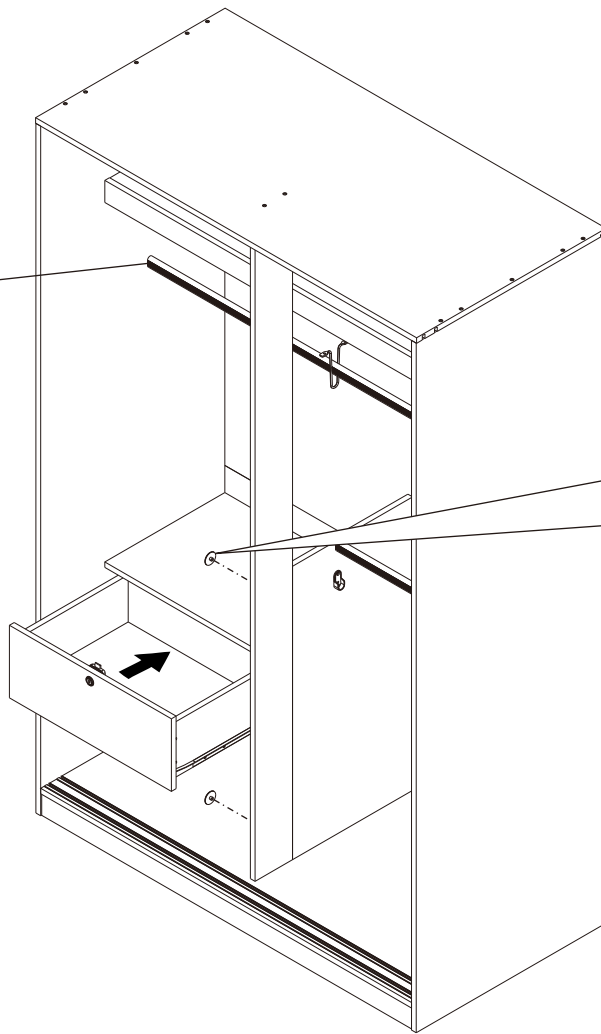
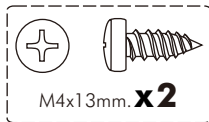
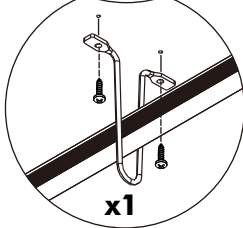
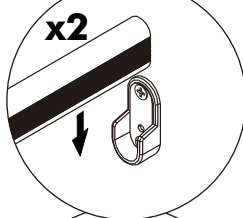
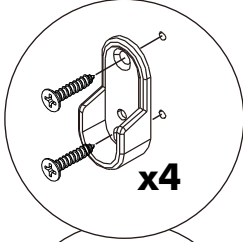
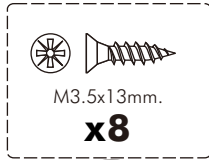
ASSEMBLY

-DRAWER SET

8.



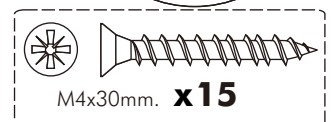
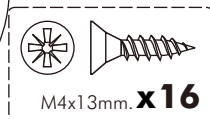
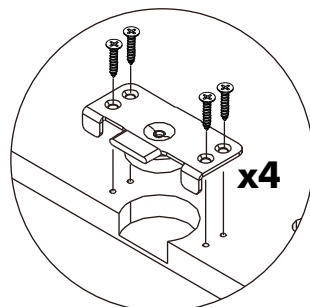
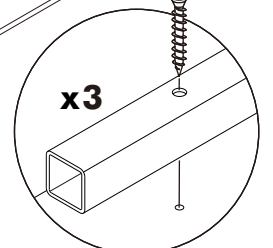
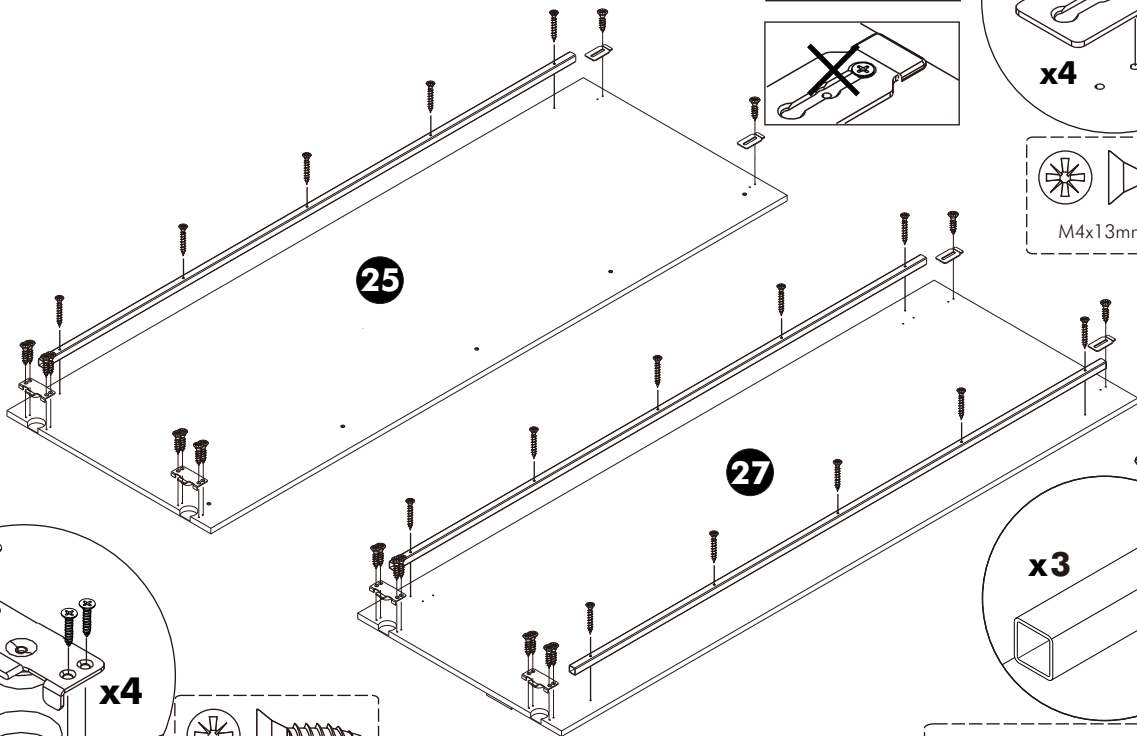
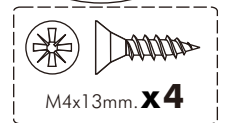
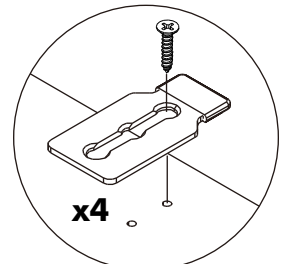
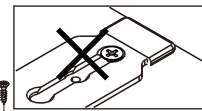
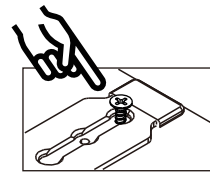
9.



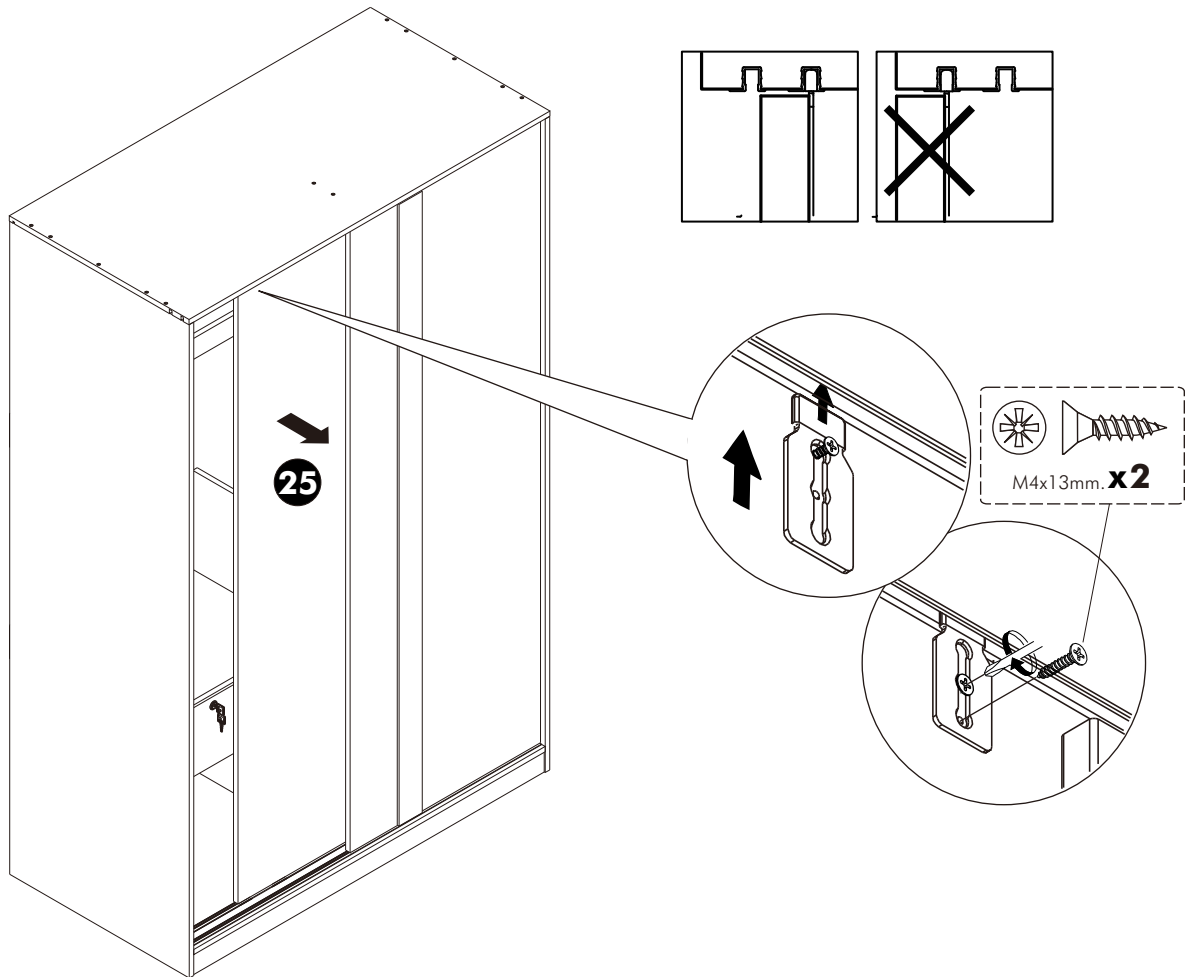
ASSEMBLY

-DOOR SET

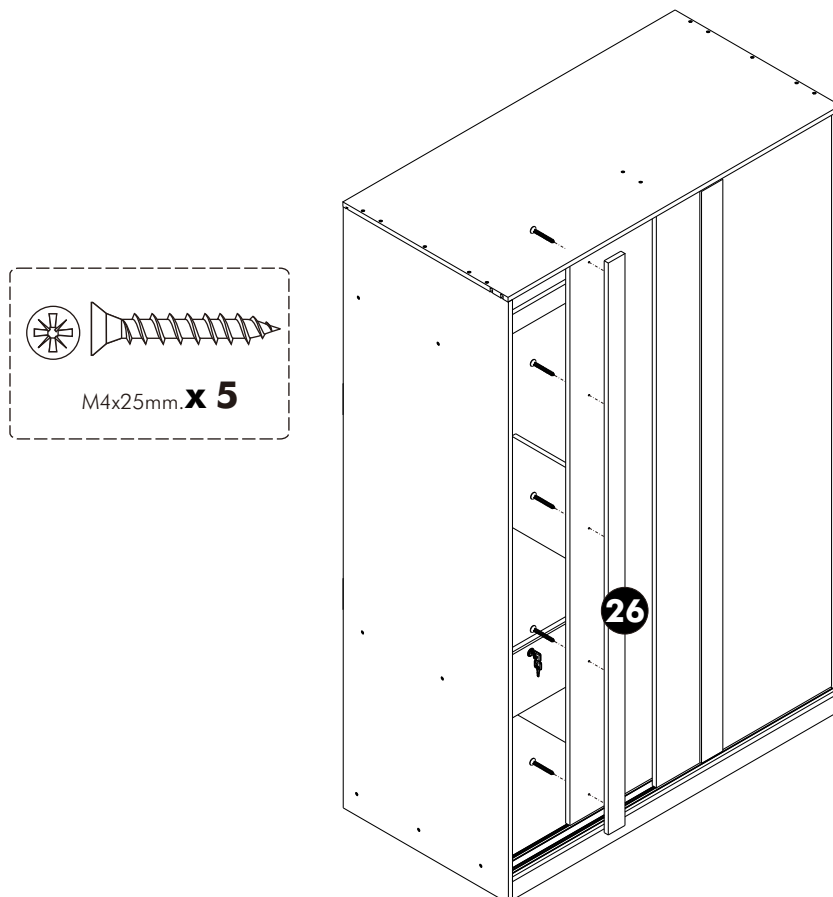
10.



13.



14.



15.

