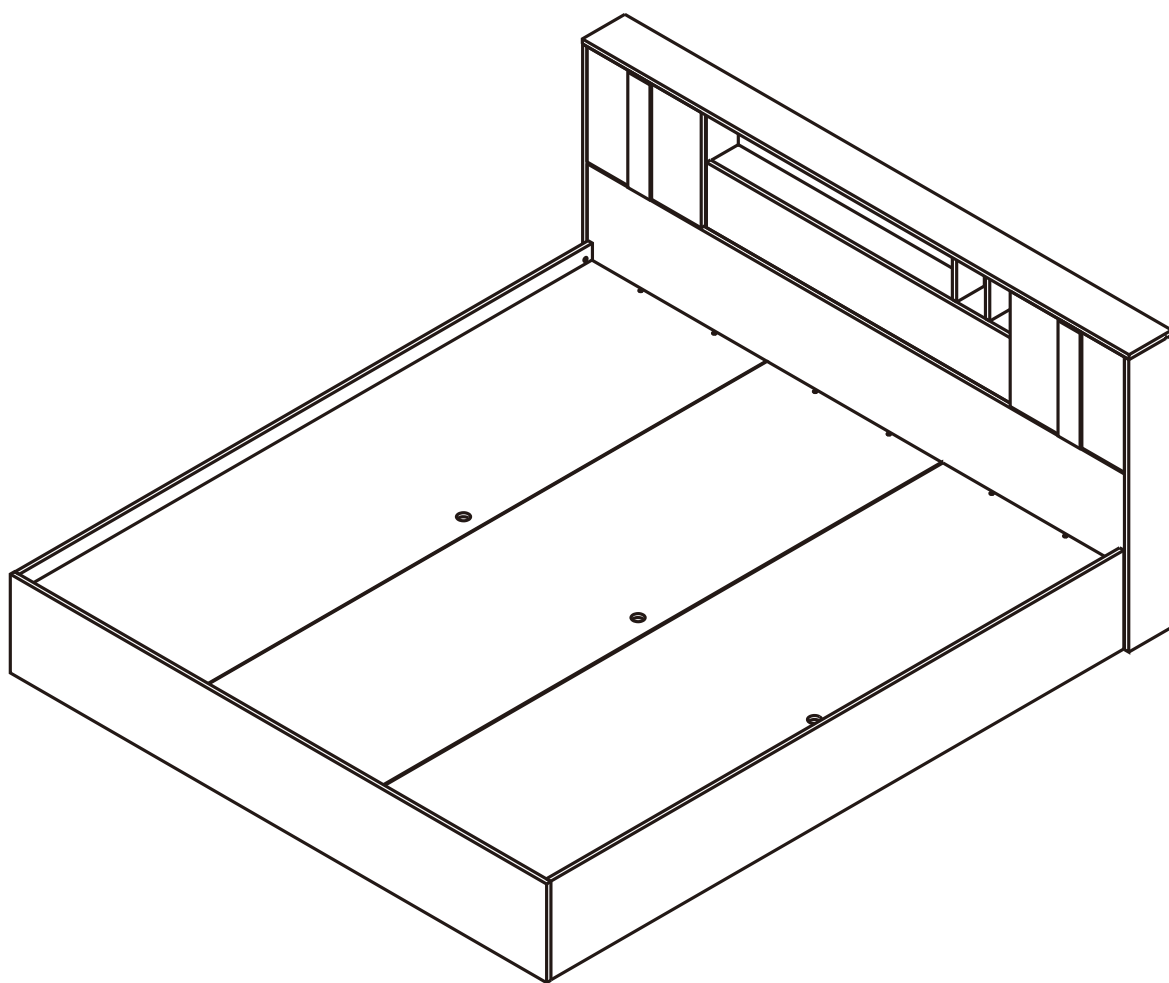


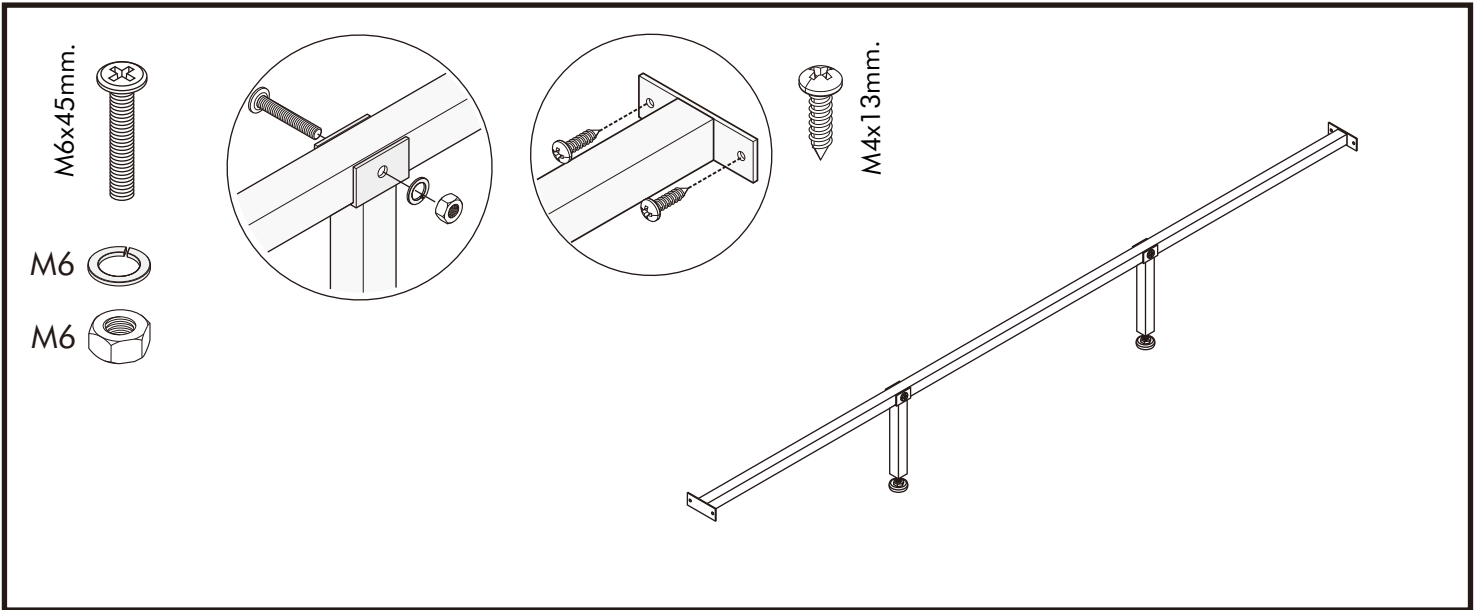
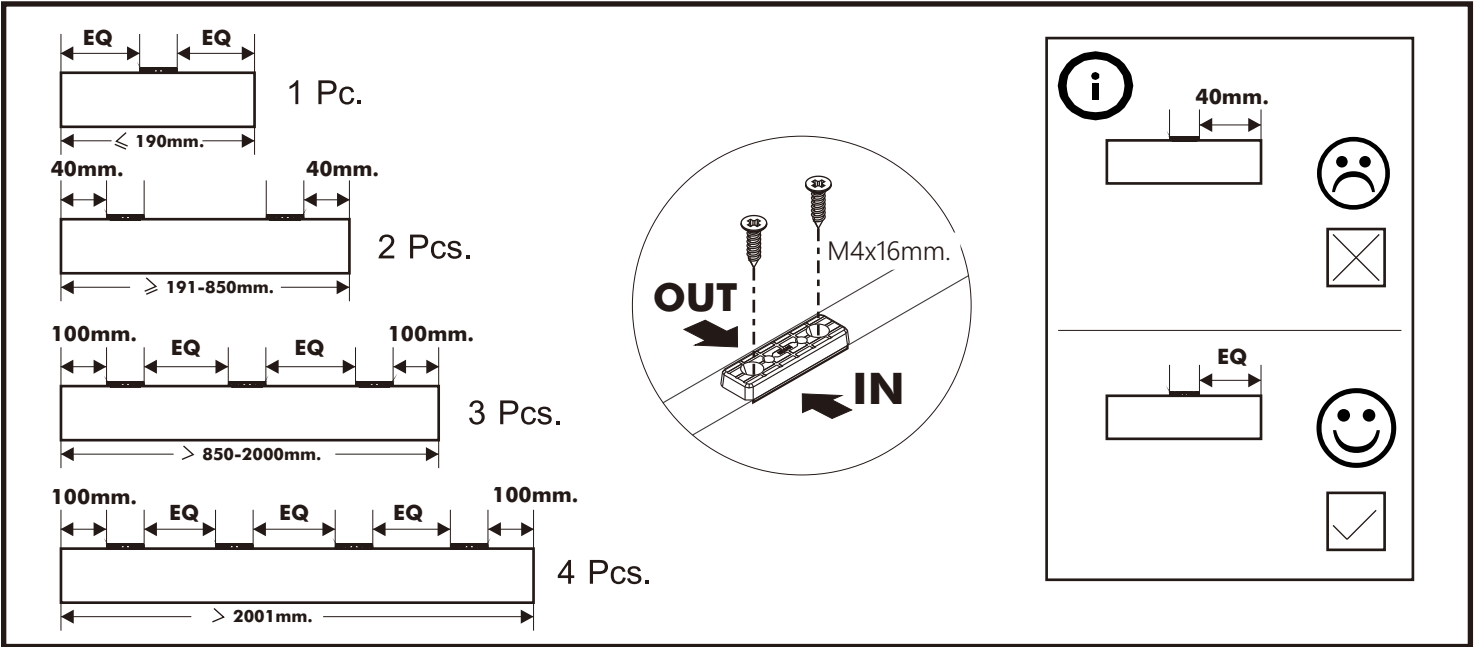
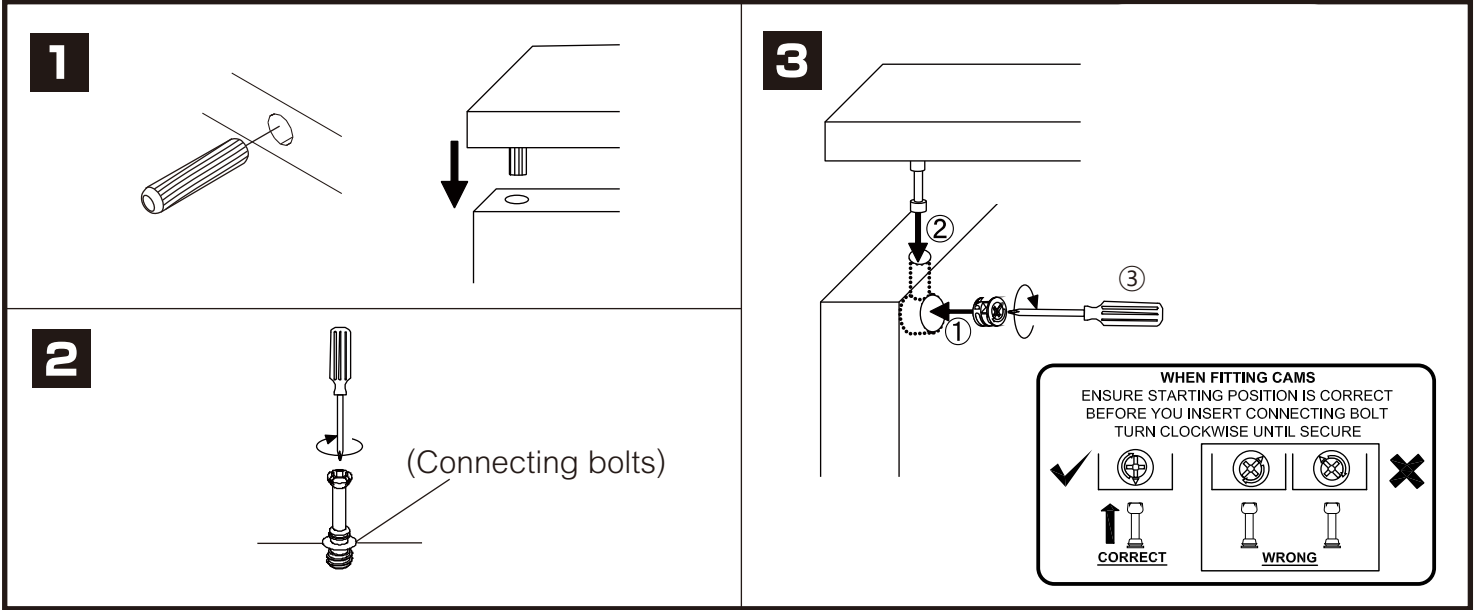
MARYDEL

BED 5 ft.

BED 6 ft.

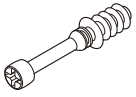


CONNECT SYSTEM



HARDWARE

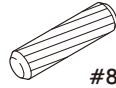
-BODY SET



x 10

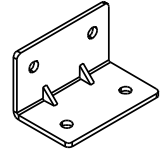


x 10



#8x35

x 30



x 8



No.1

x 3



#M6

x 4



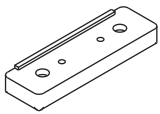
#M6

x 4



P+M3.5x13m.

x 12

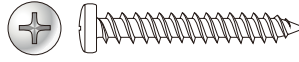


x 14



M4x16mm.

x 60



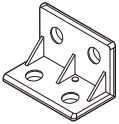
P+M4x30mm.

x 76

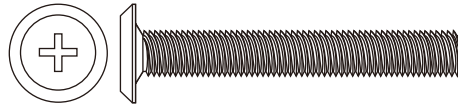


P+M4x16mm.

x 41

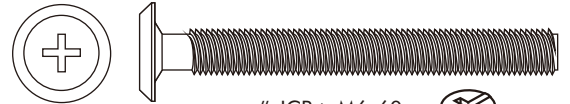


x 8



#TF+M6x45

x 4



JCB+ M6x60

x 4



F+5x1/2"

x 2



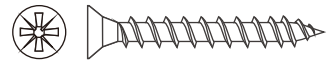
#F+M4x30

x 12



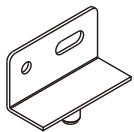
P+M4x13mm.

x 8

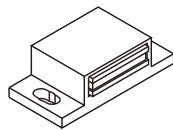


F+M4x40

x 8



x 4



x 2



x 2

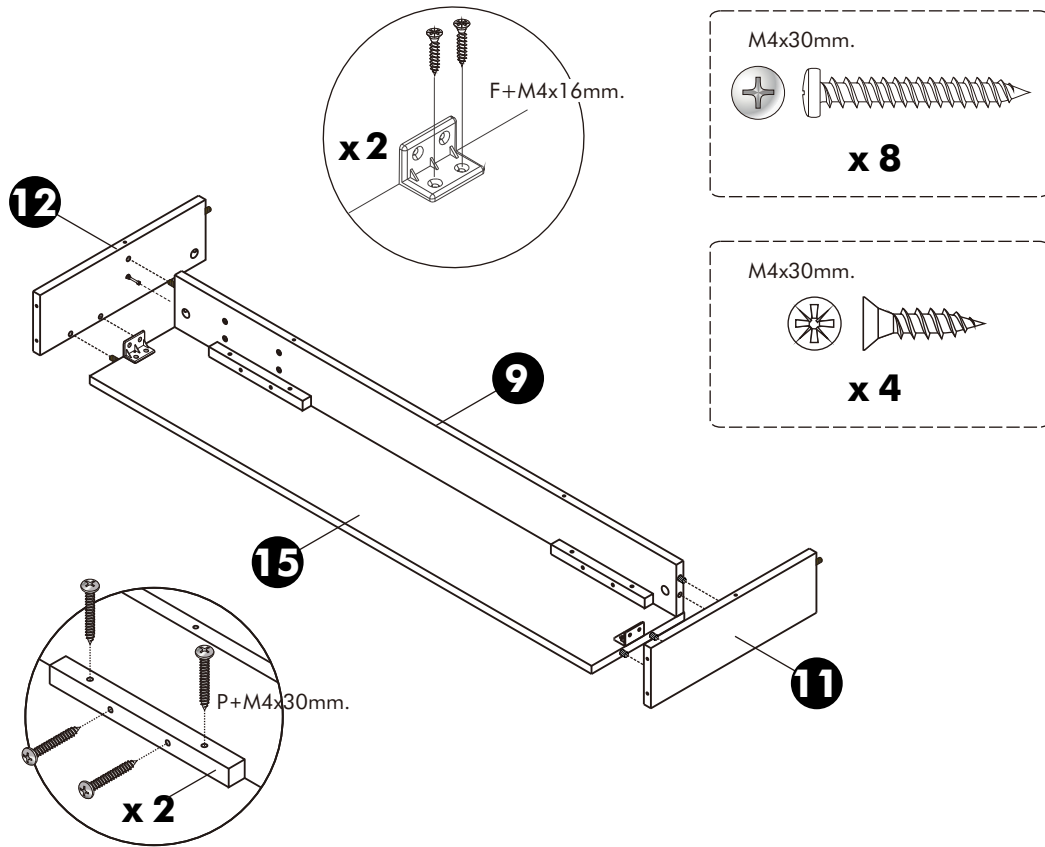


x 4

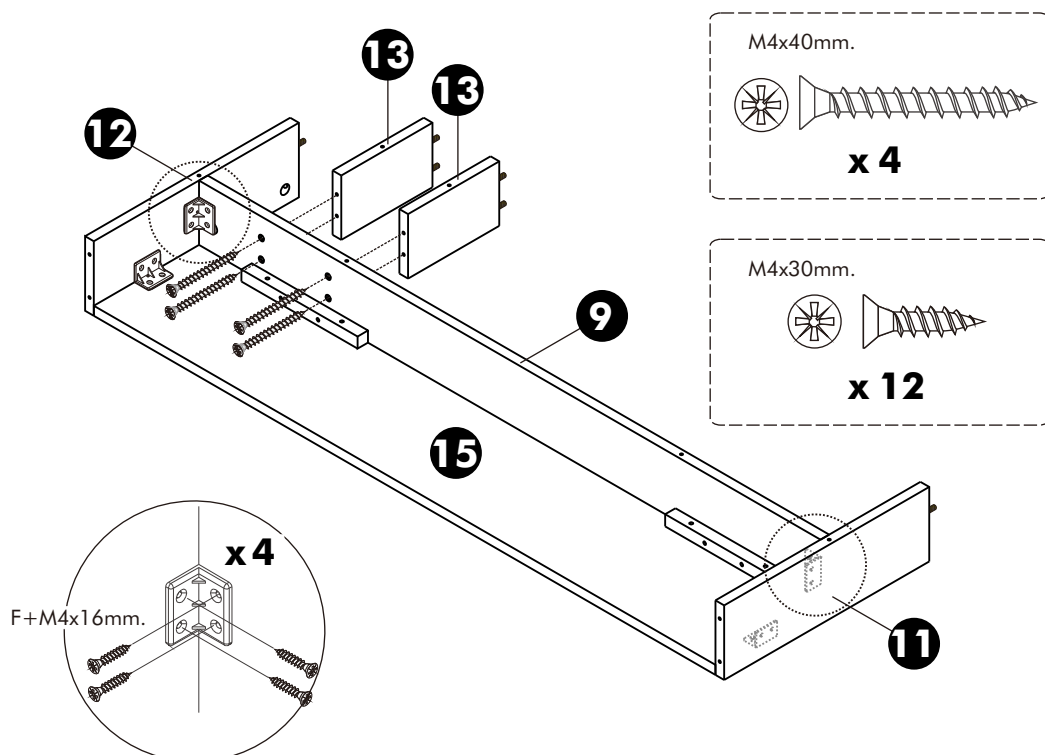
ASSEMBLY

-HEADBOARD SET

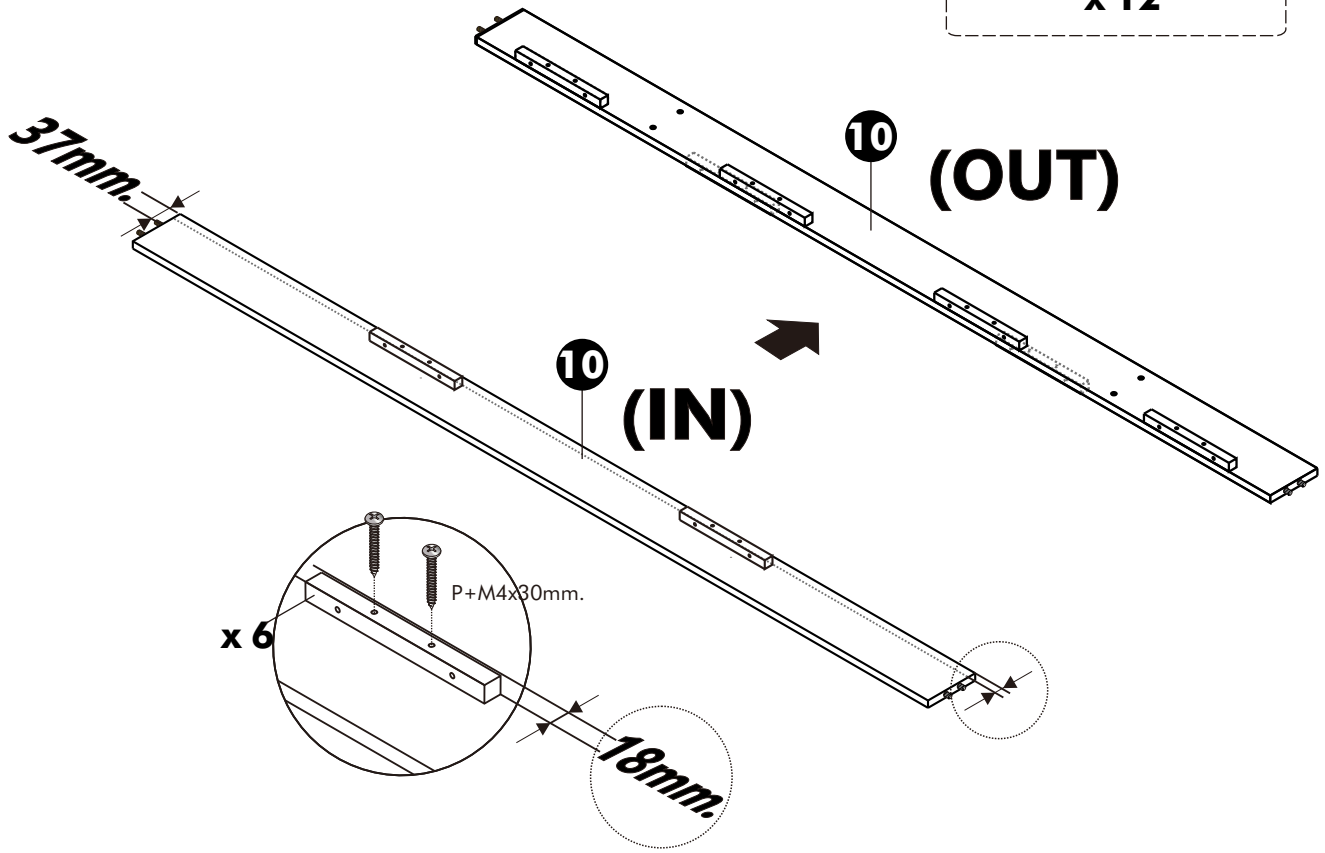
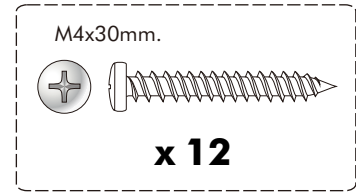
1.



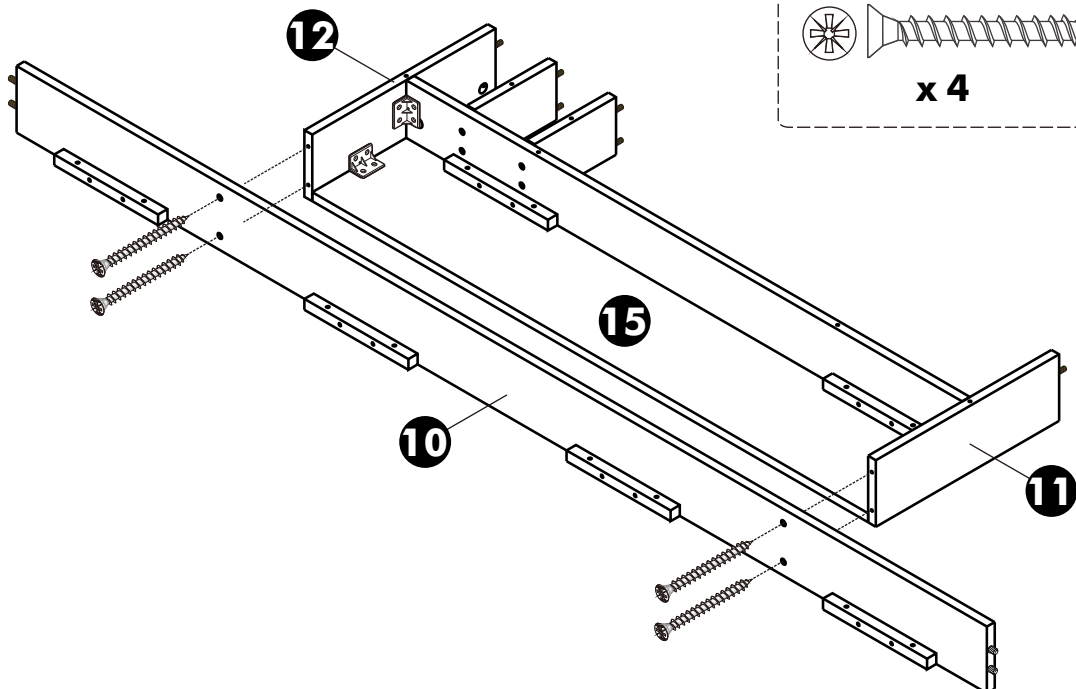
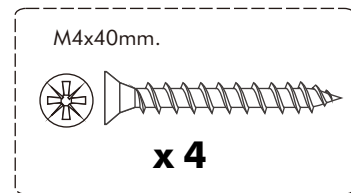
2.



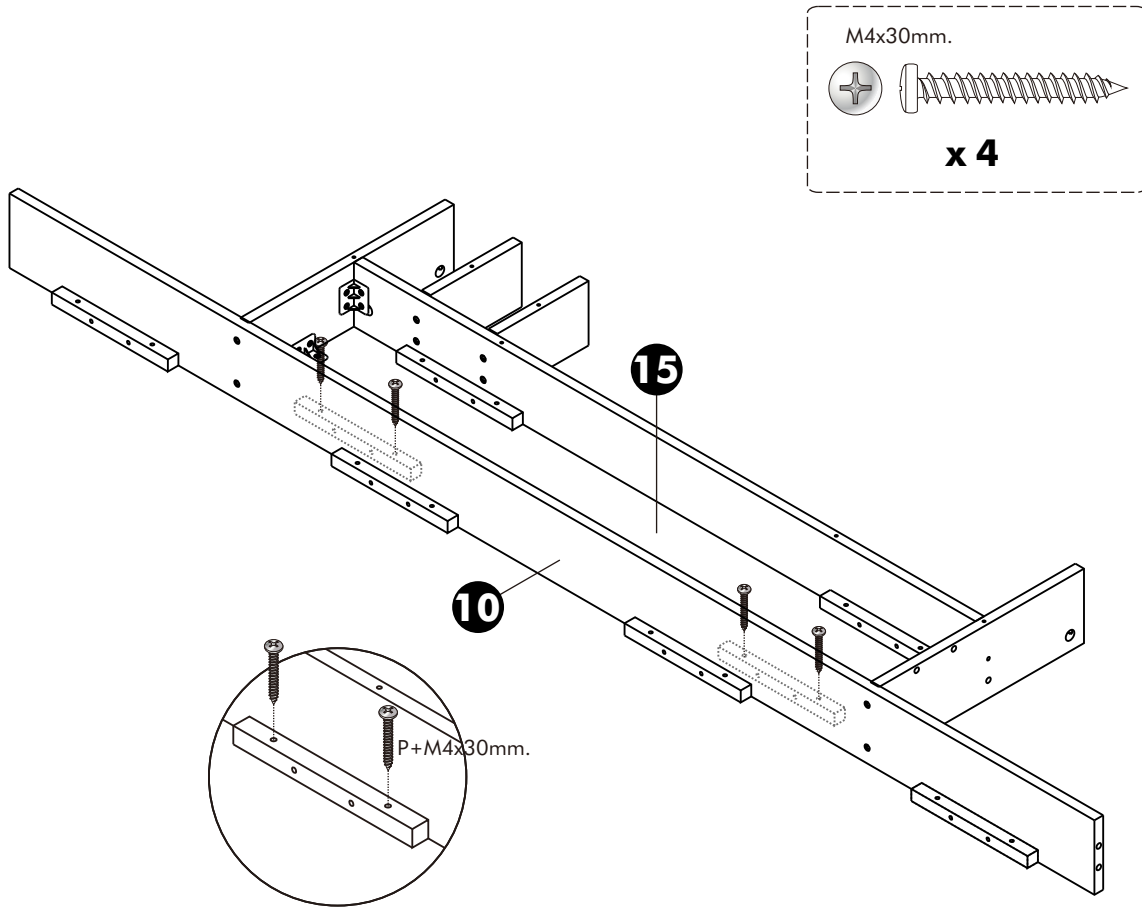
3.



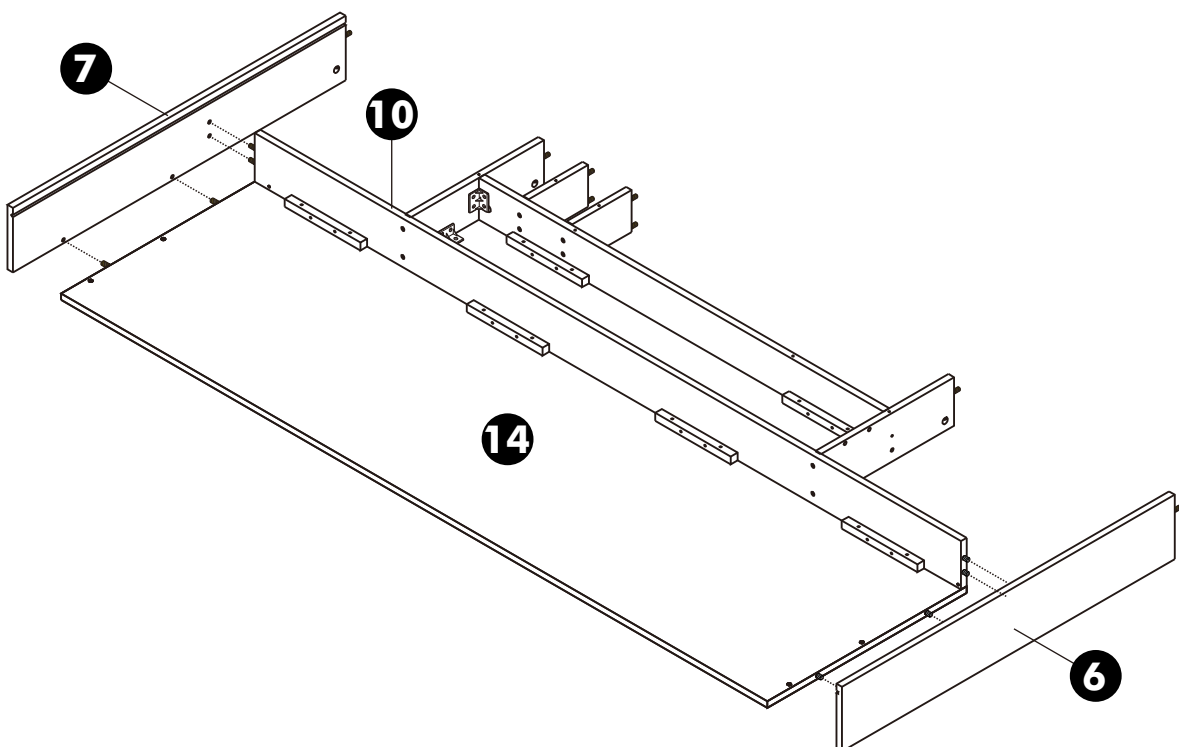
4.



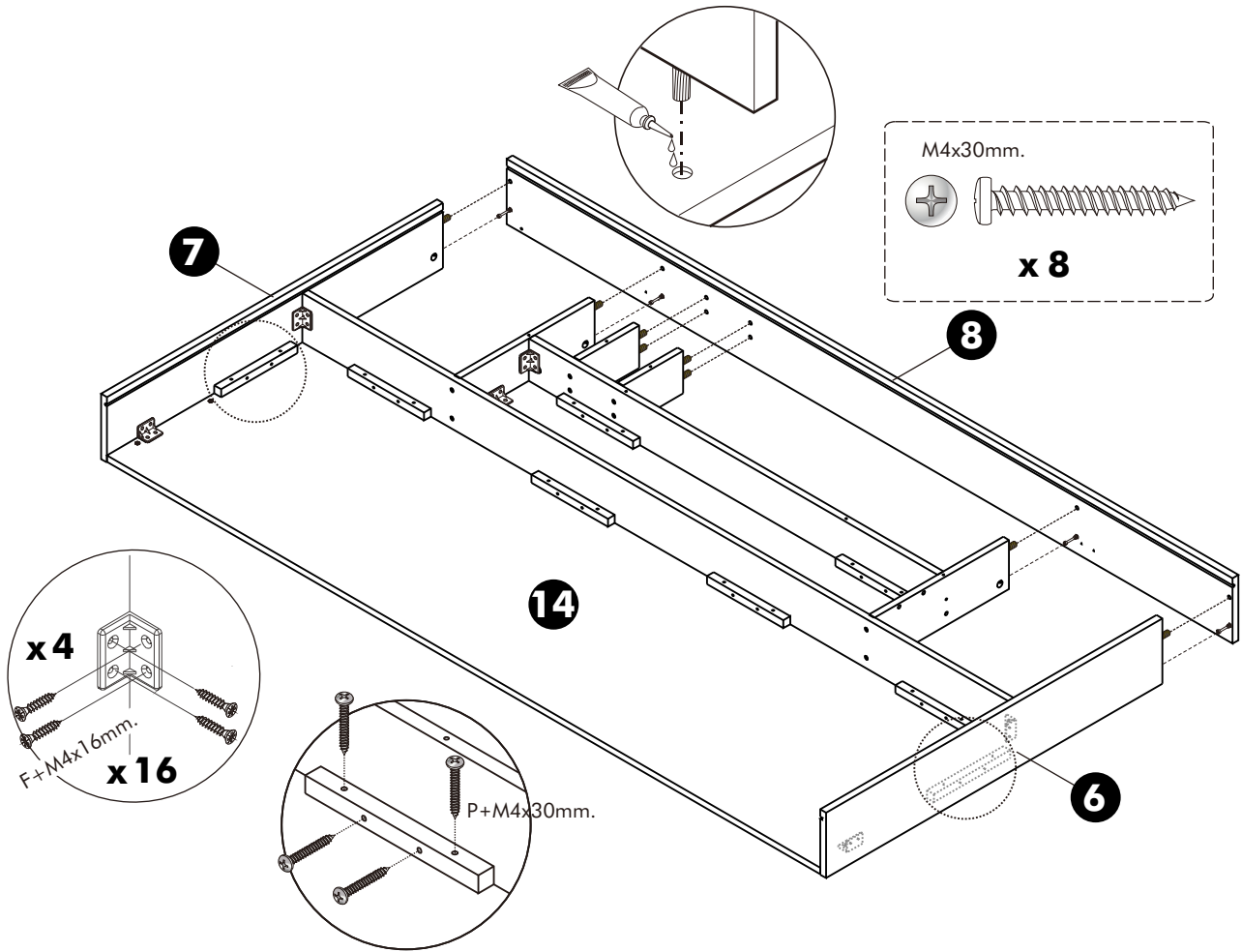
5.



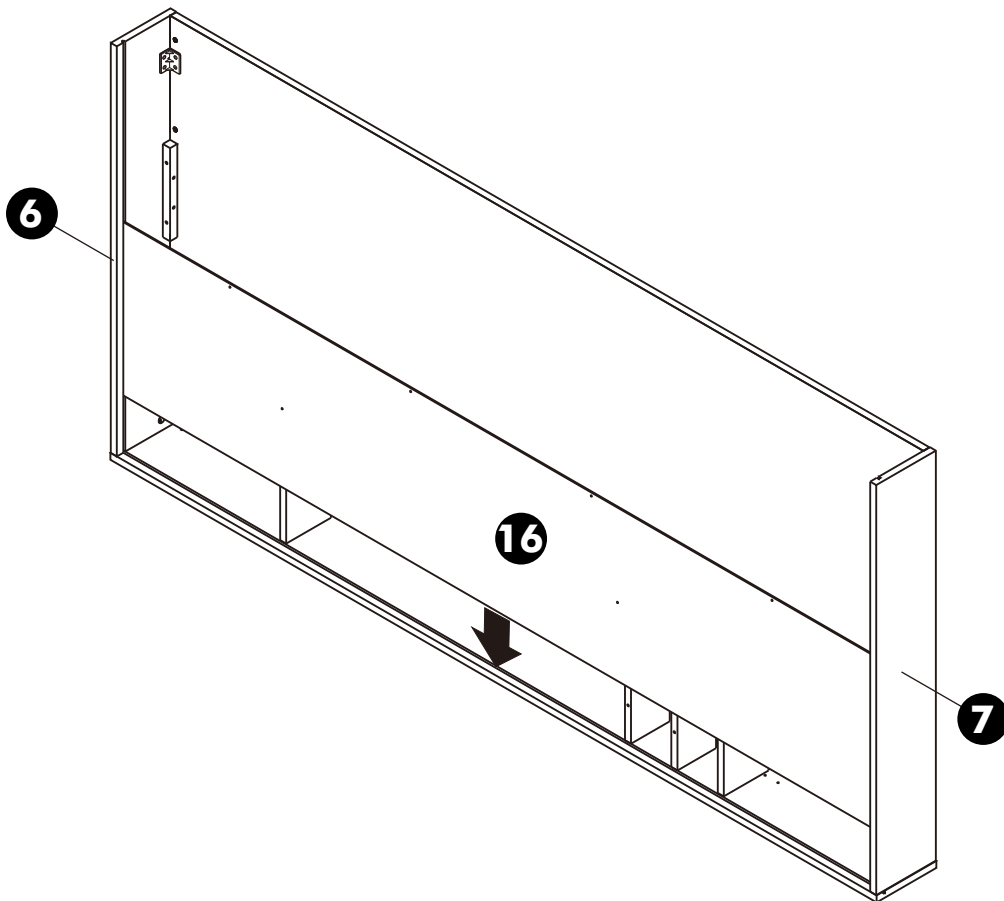
6.



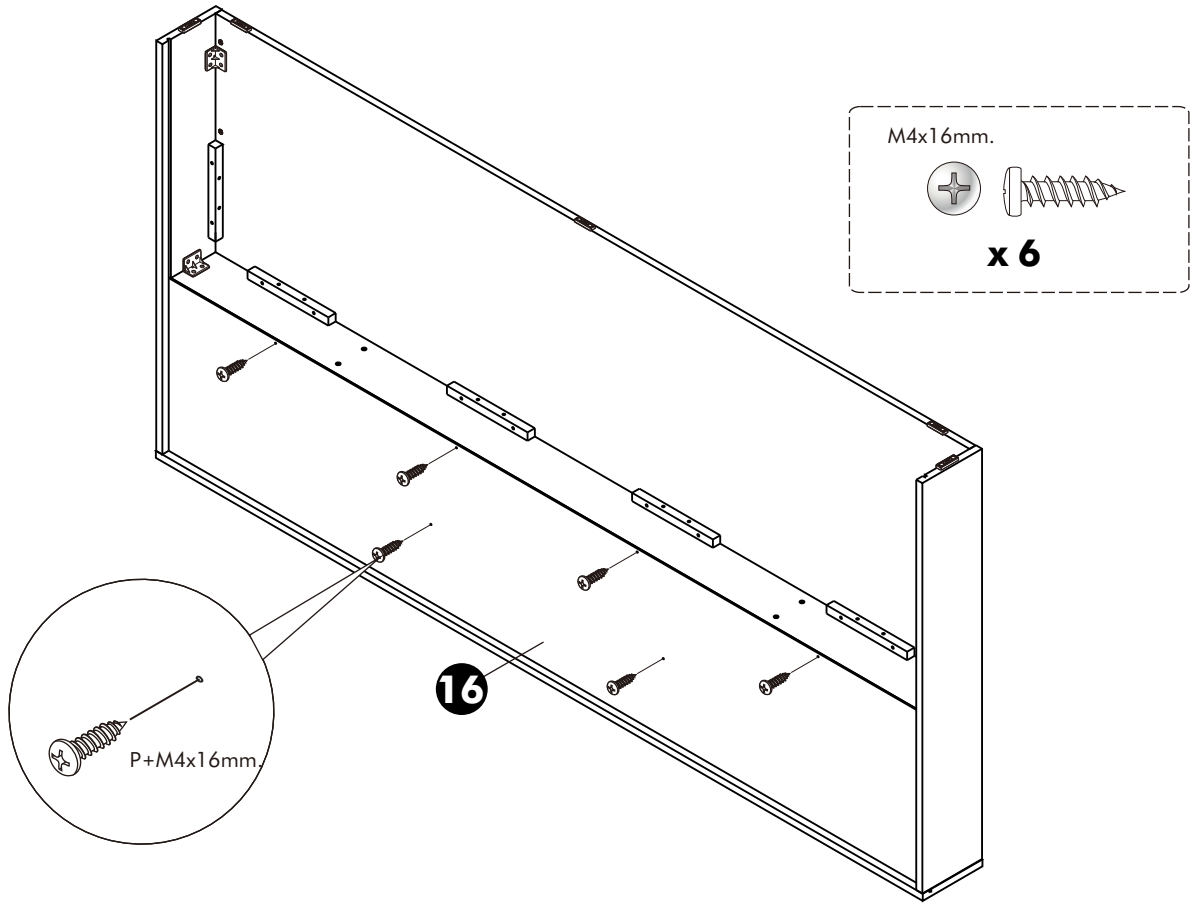
7.



8.



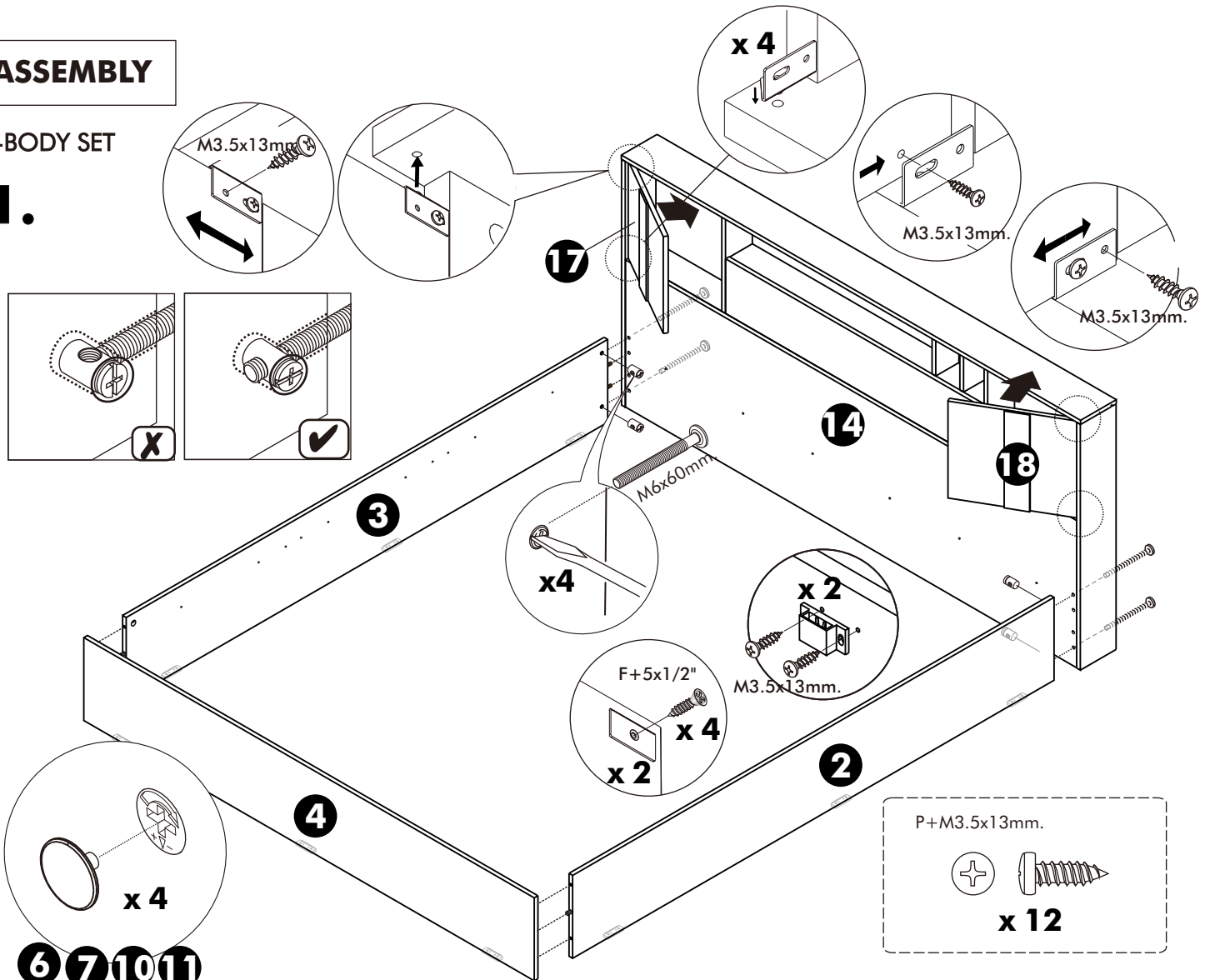
9.



ASSEMBLY

-BODY SET

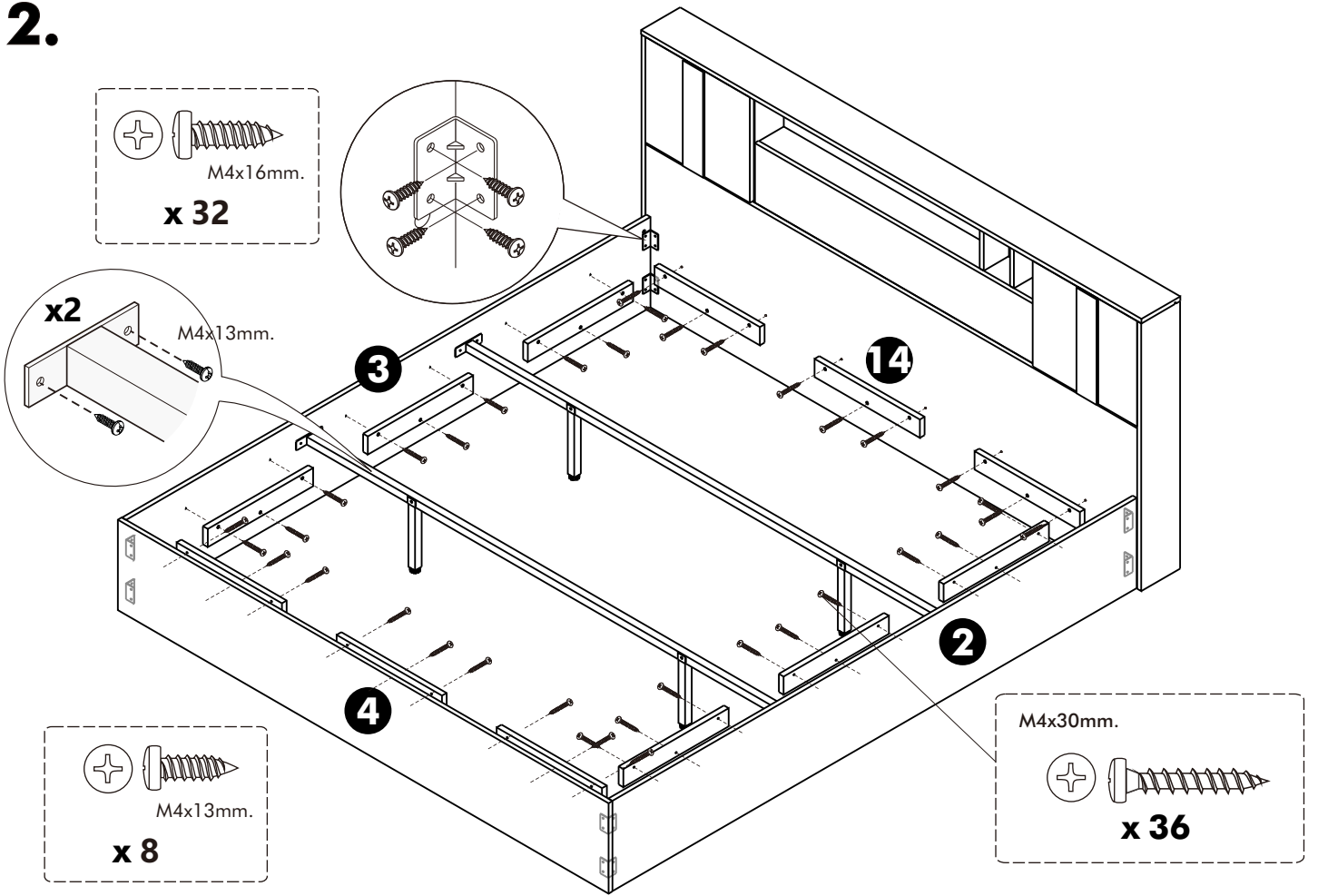
1.



8

6 7 10 11

2.



3.

