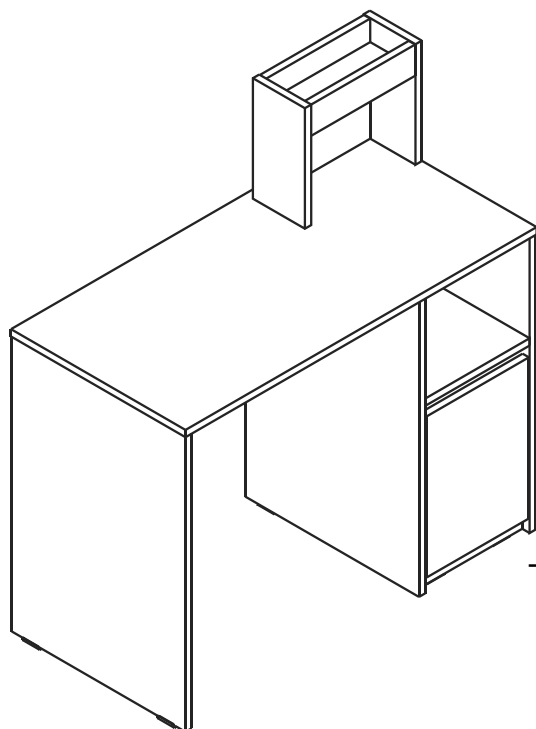
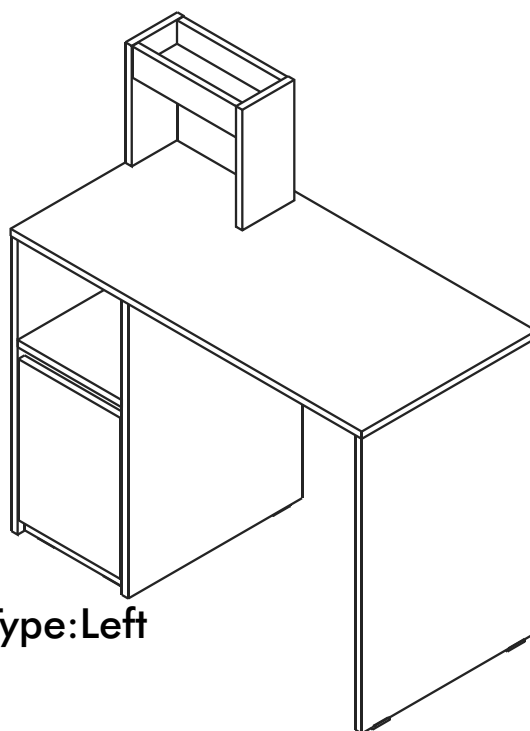


ANISTA

Working table W100cm

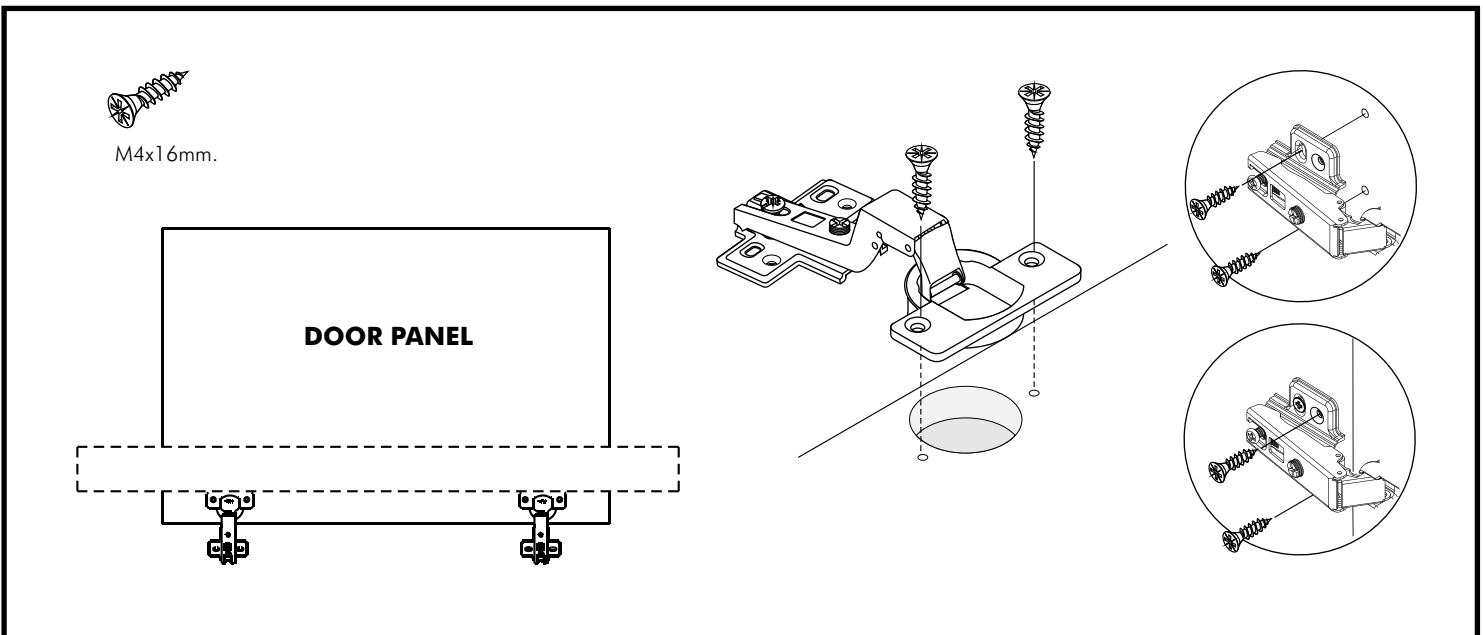
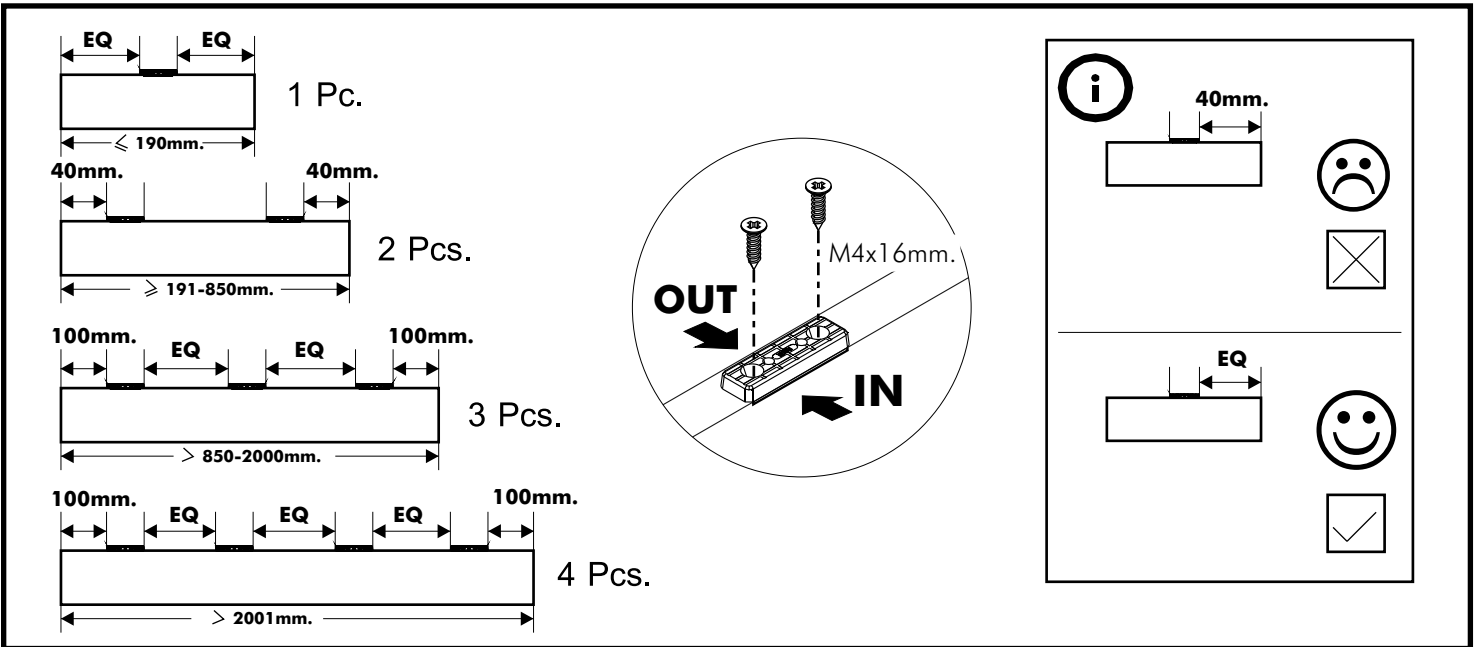
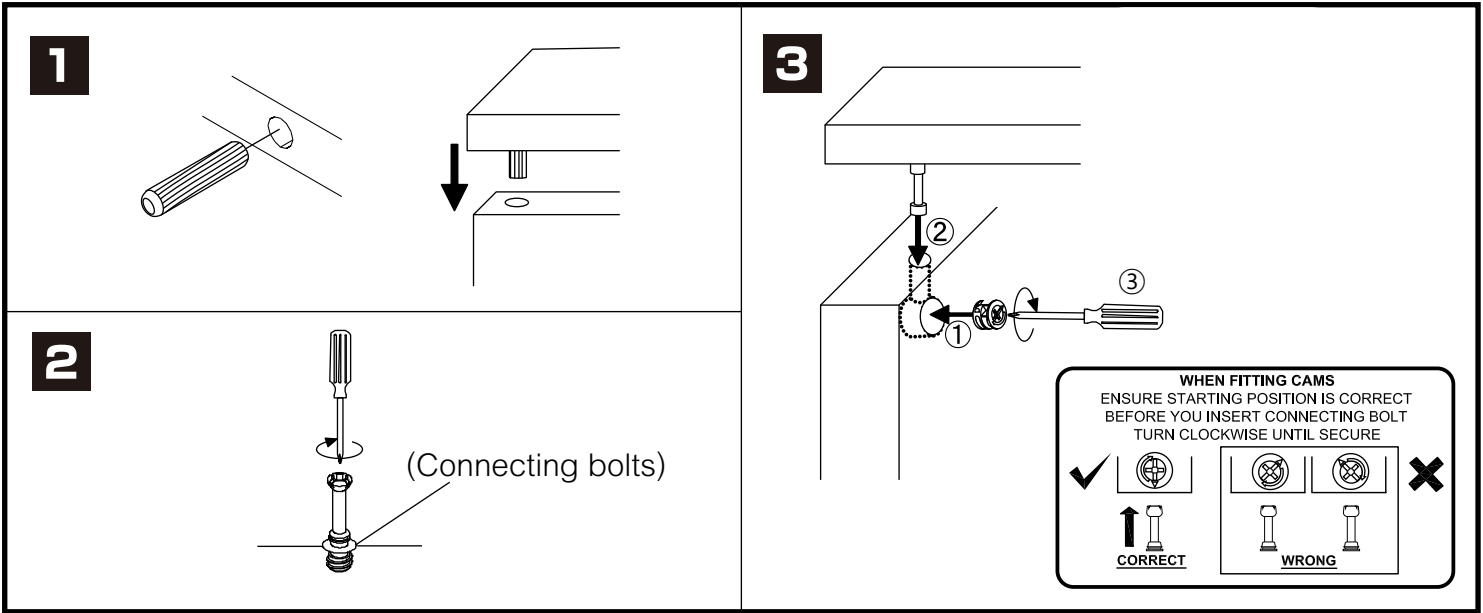


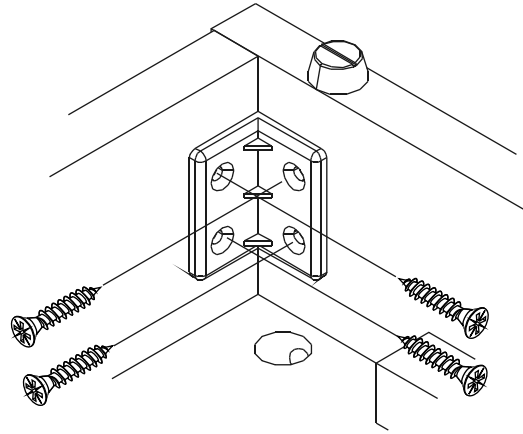
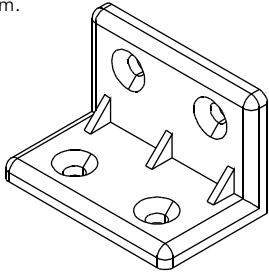
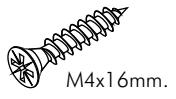
Type:Right



Type:Left

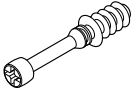
CONNECT SYSTEM





HARDWARE

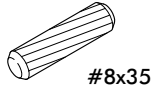
-BODY SET



x 22



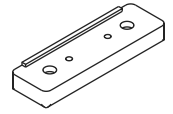
x 22



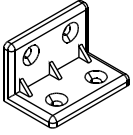
x 26



x 18



x 10



x 12



x 4



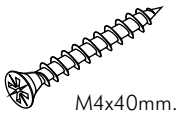
x 2



x 4

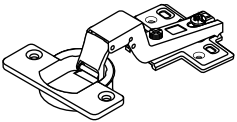


x 68



x 6

-DOOR SET



x 2



x 12

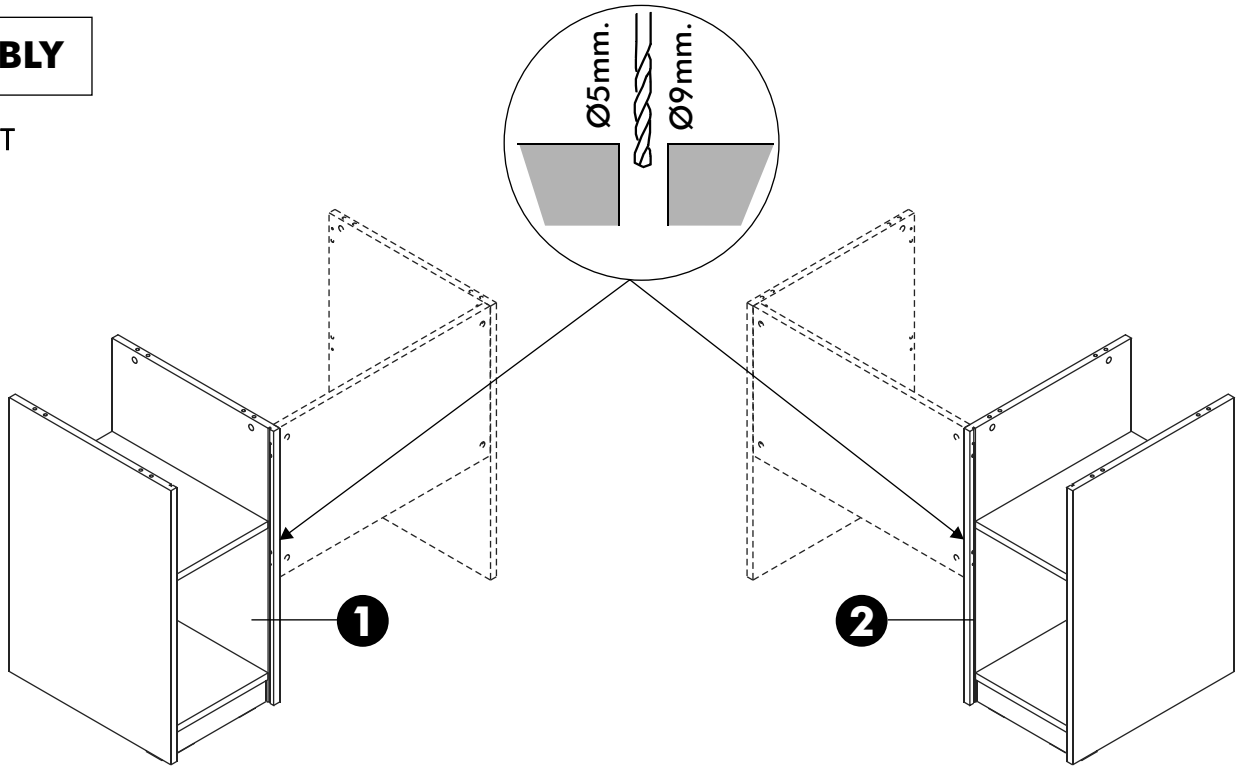


x 1

ASSEMBLY

-BODY SET

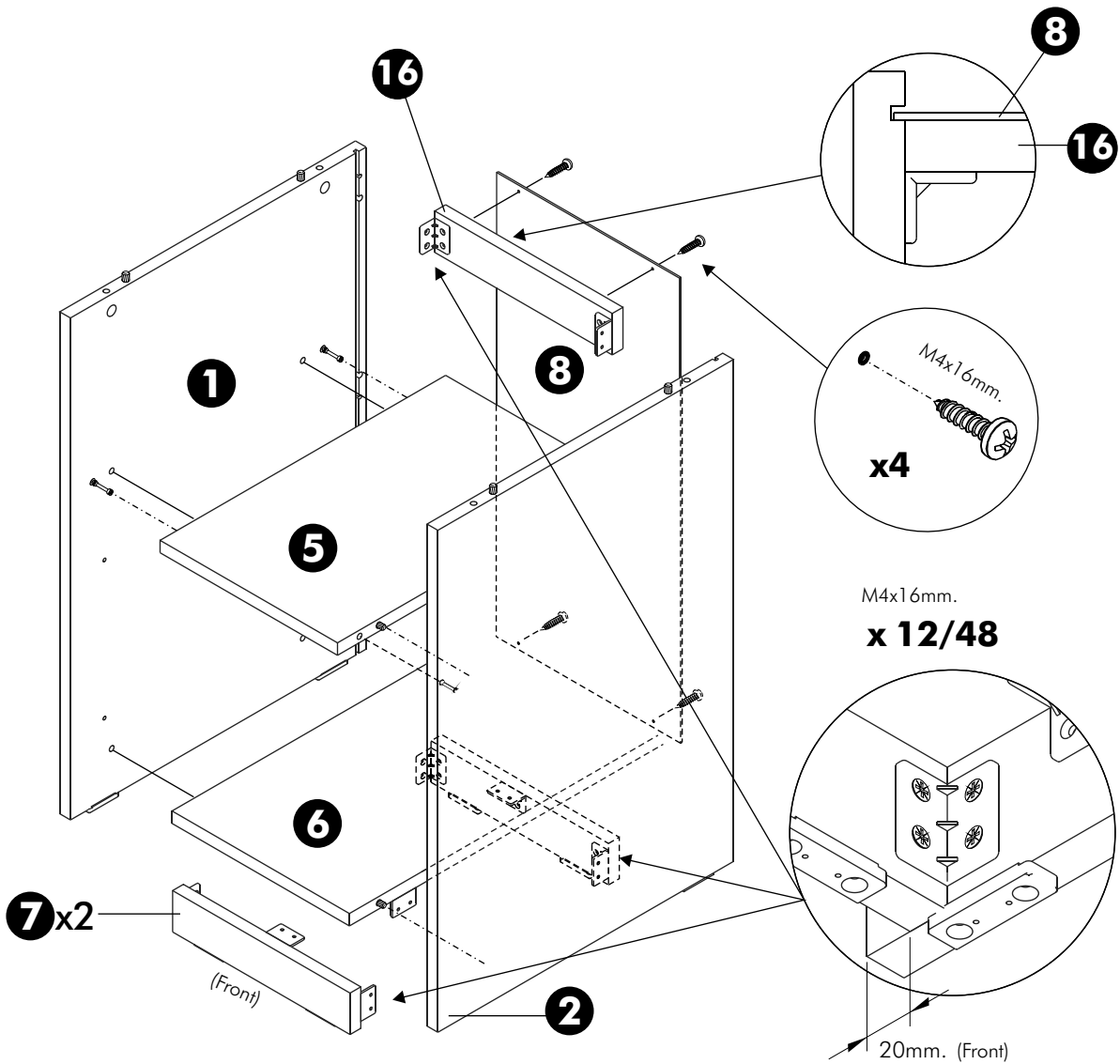
1.



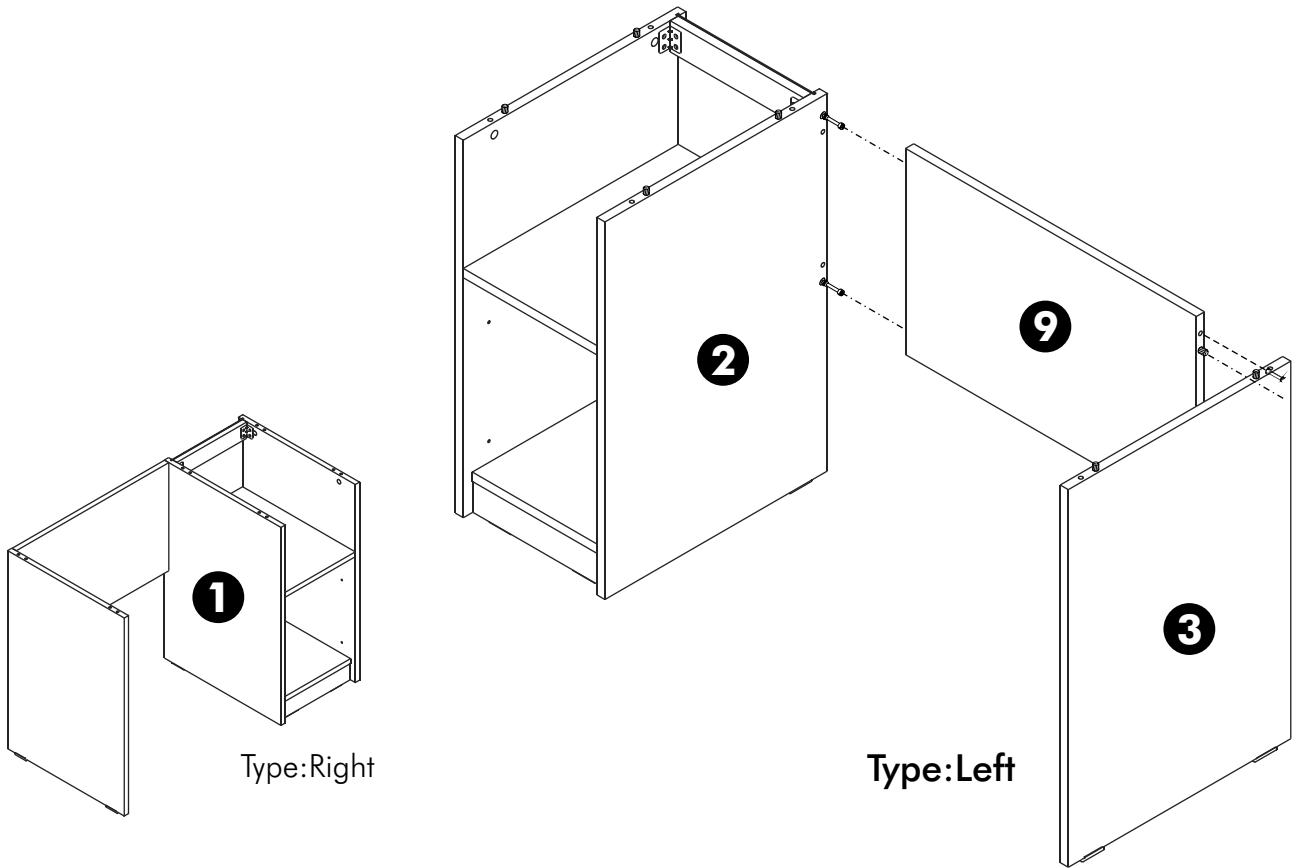
Type:Right

Type:Left

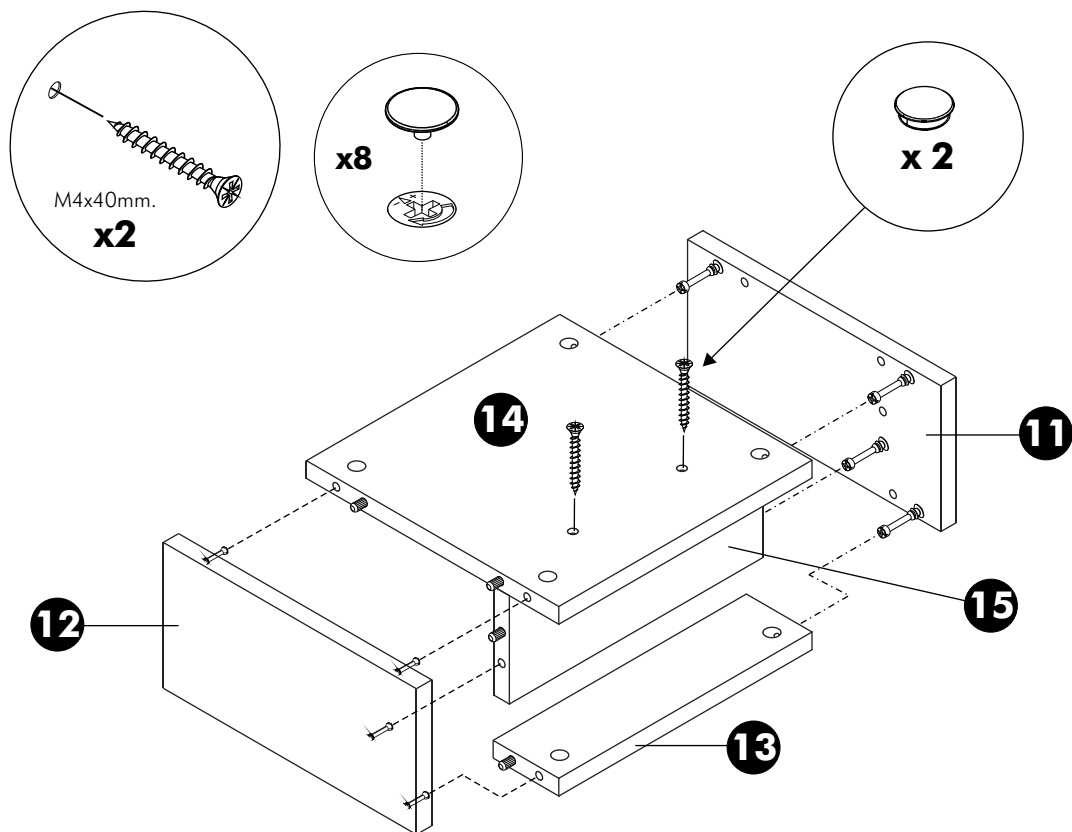
2.



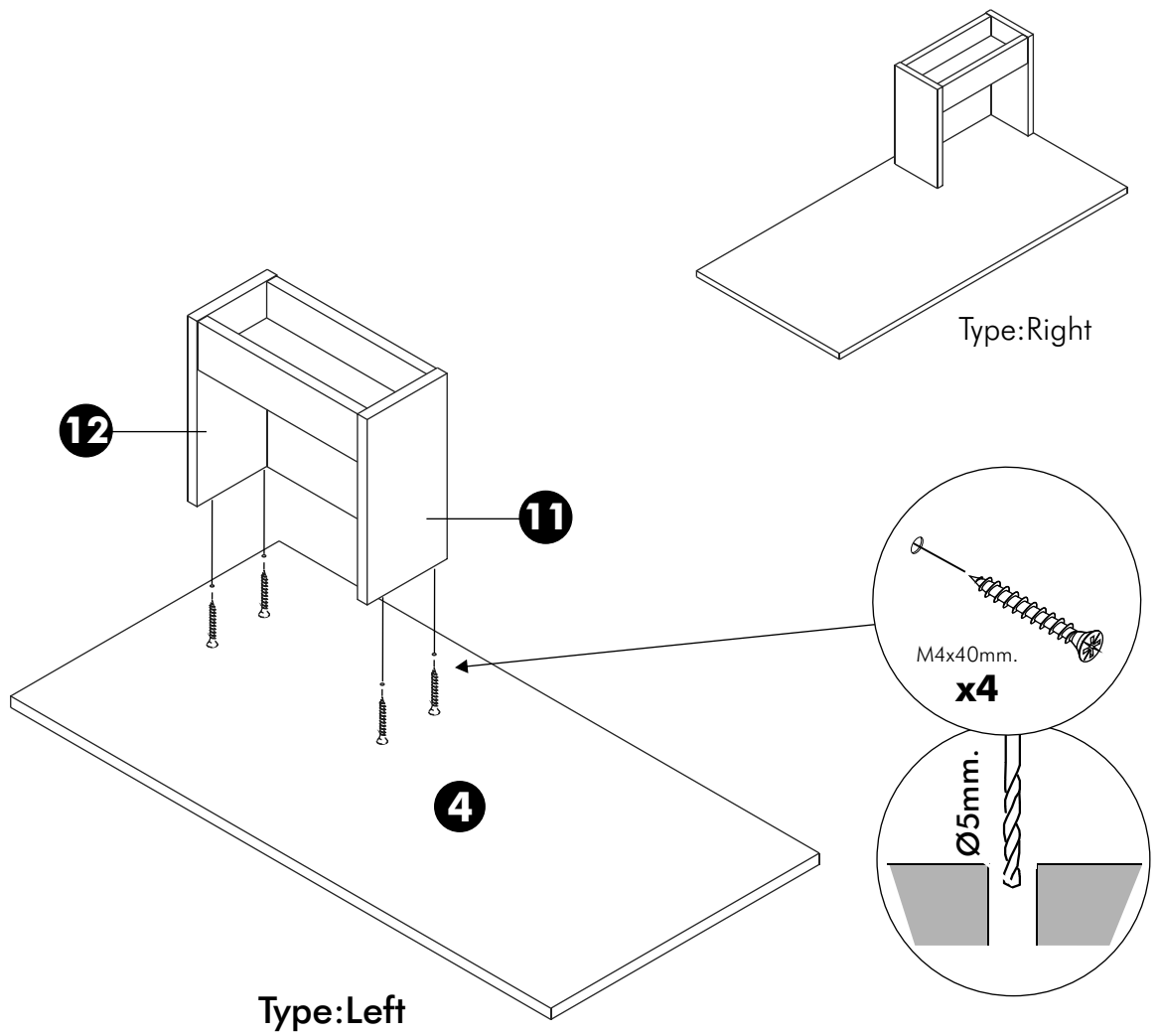
3.



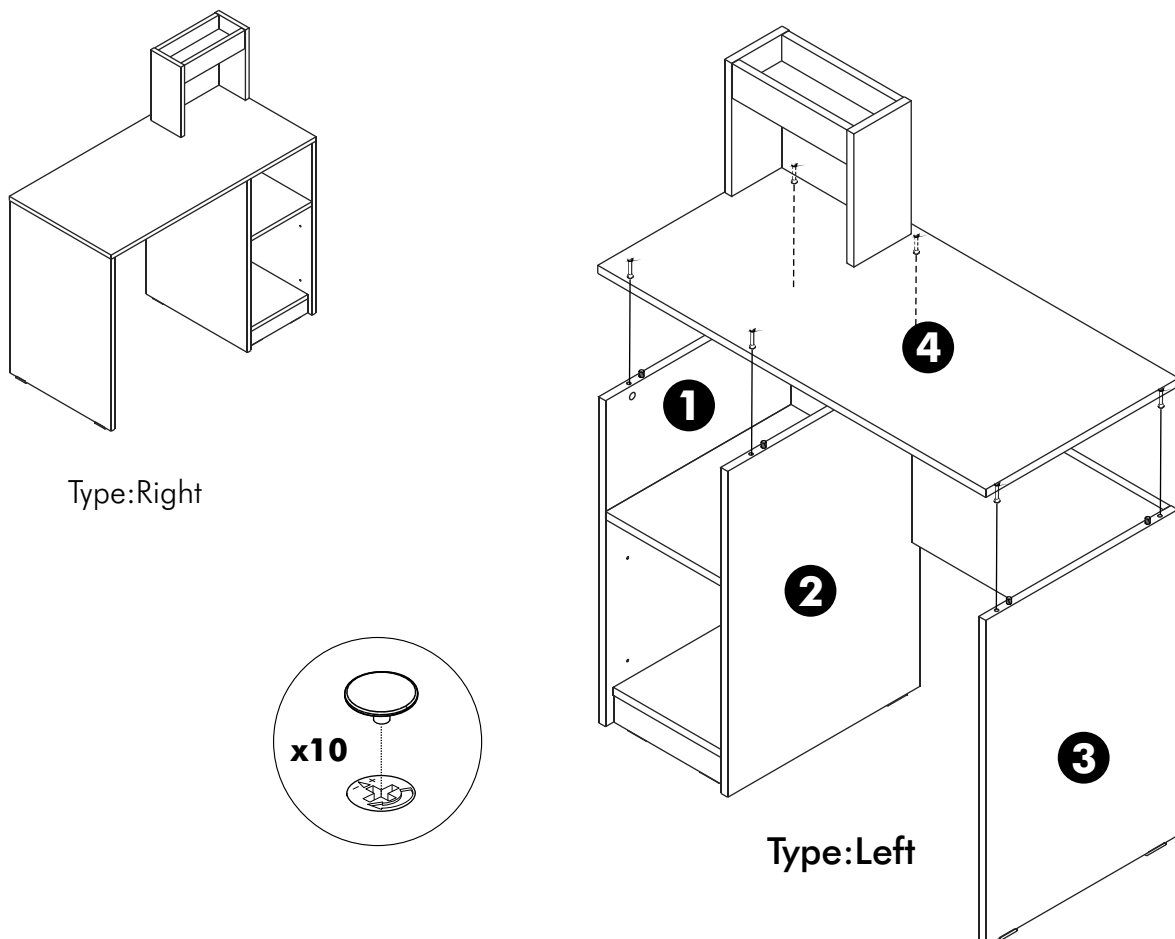
4.



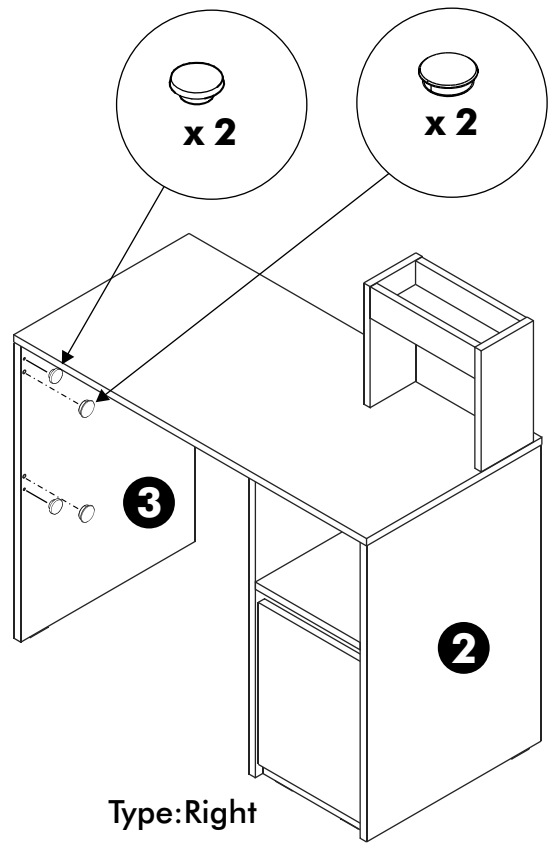
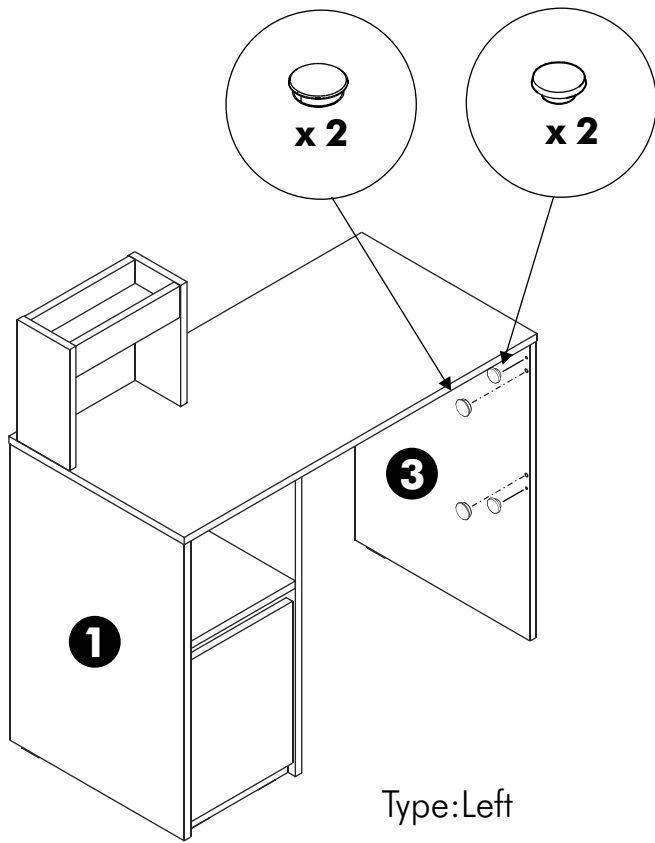
5.



6.



7.



ASSEMBLY

-DOOR SET

