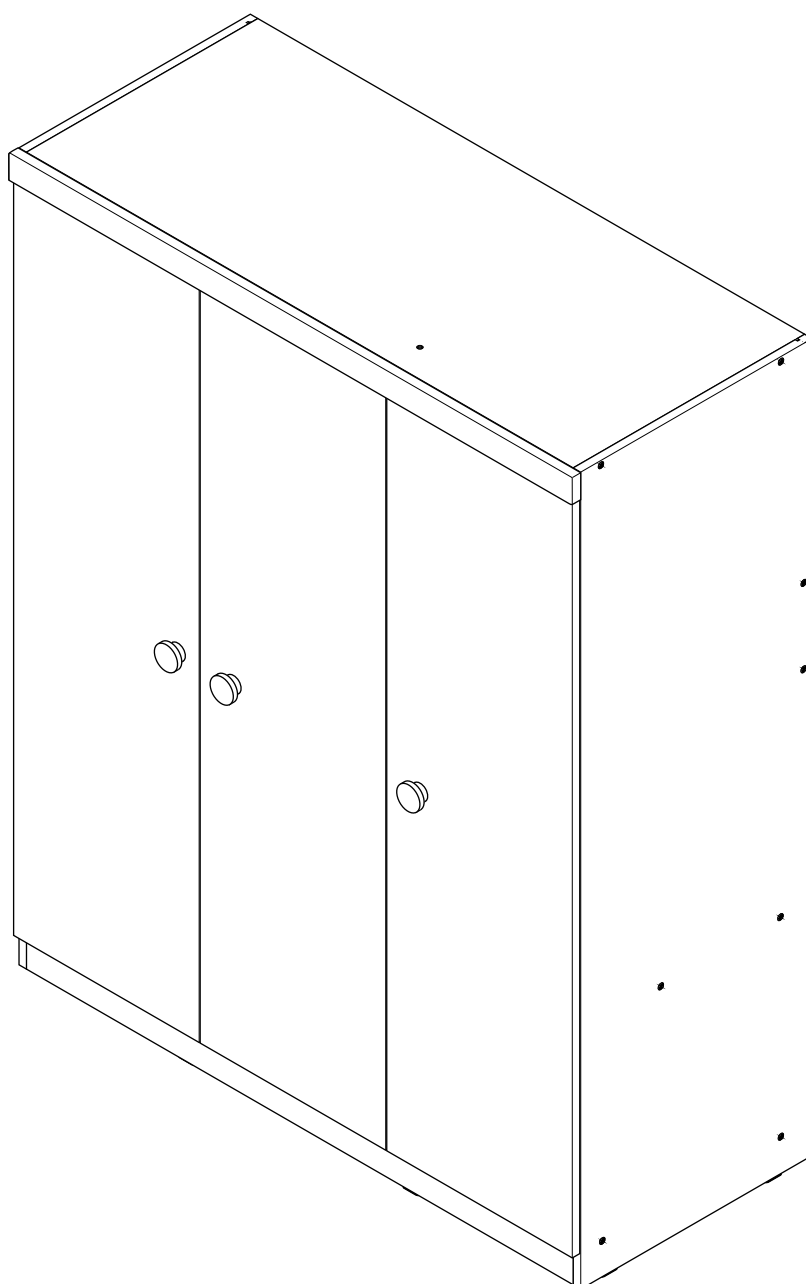
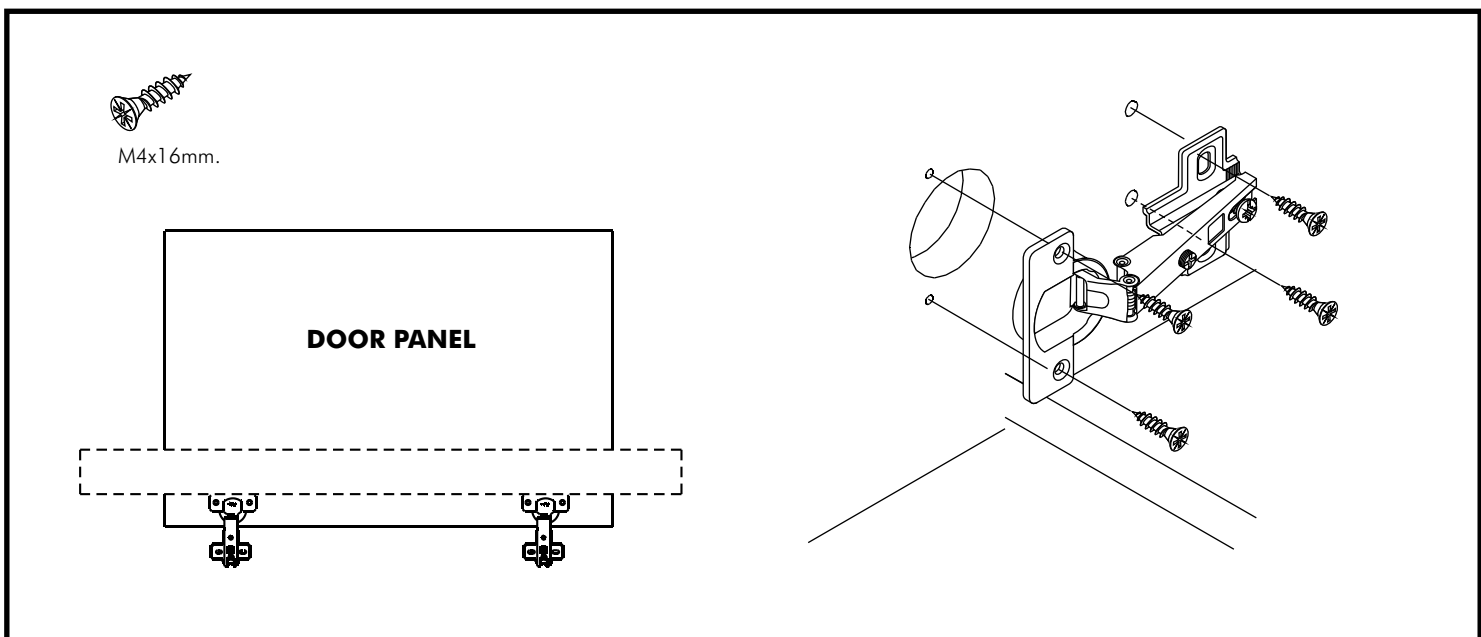
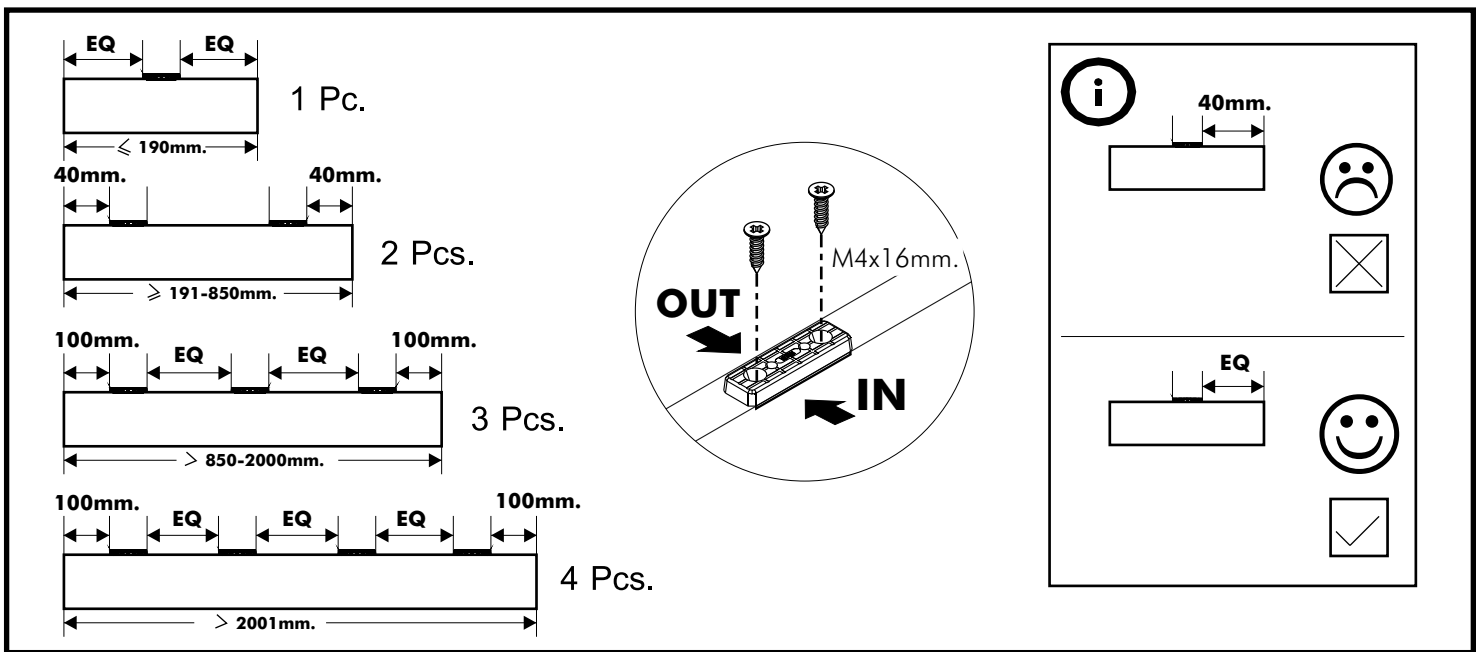


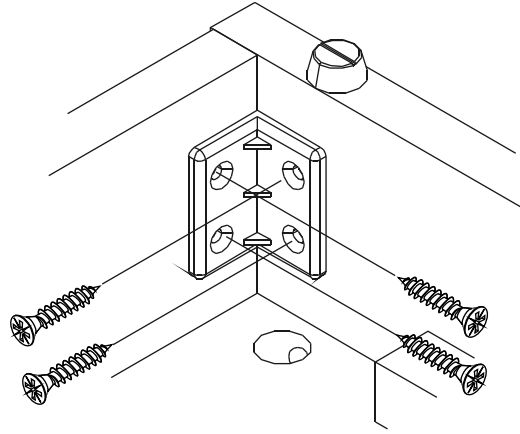
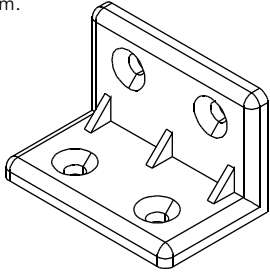
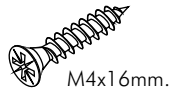
NEW COLOR4KIDS

Wardrobe 3 door

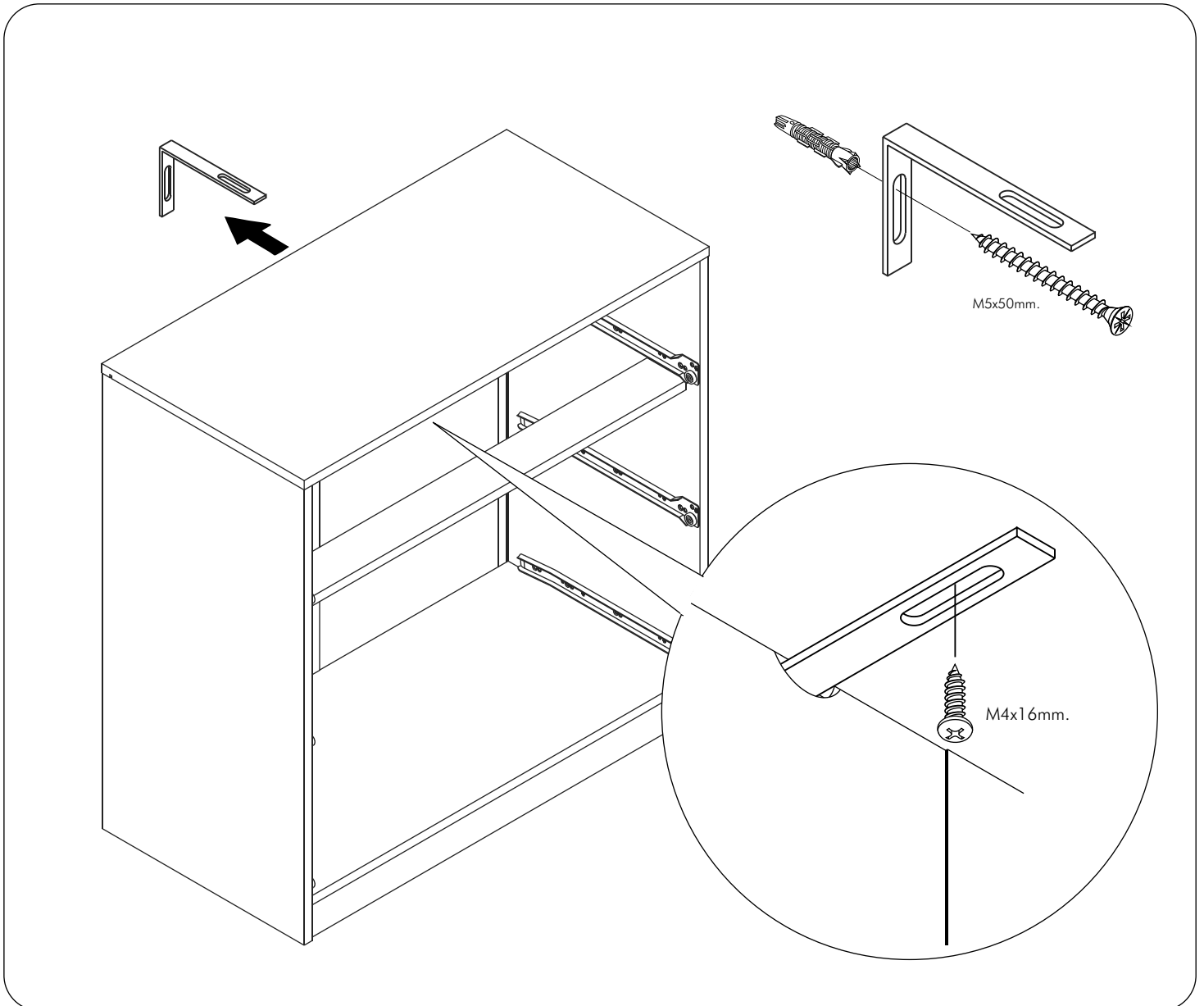
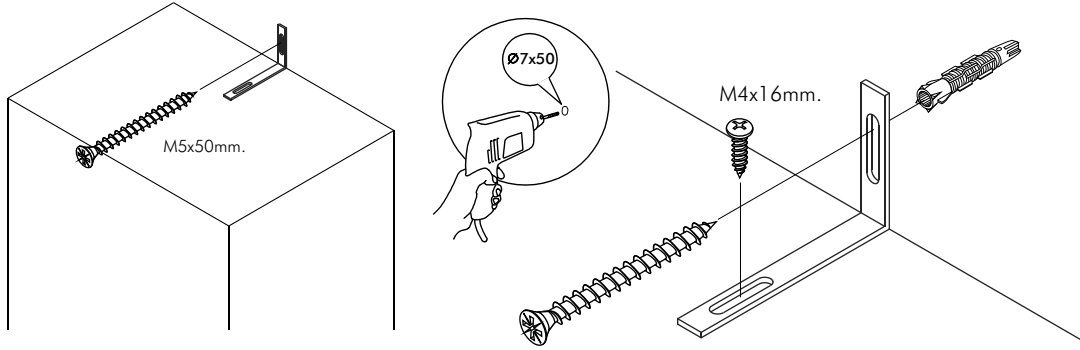
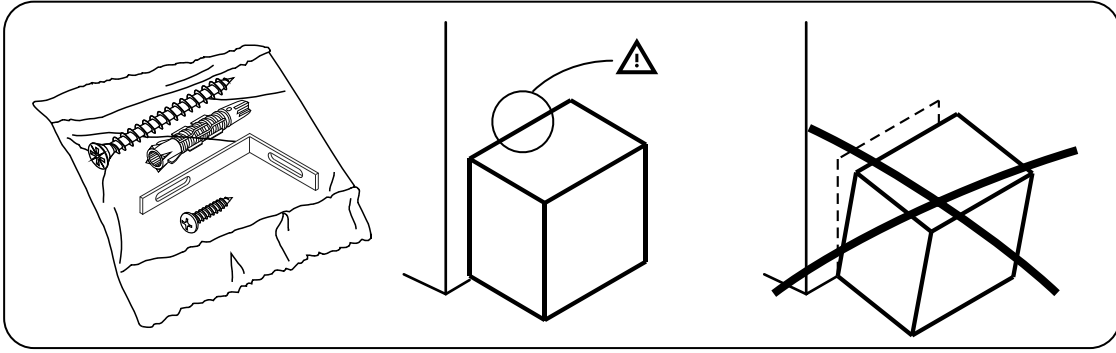


CONNECT SYSTEM



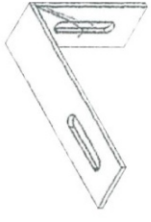


x2

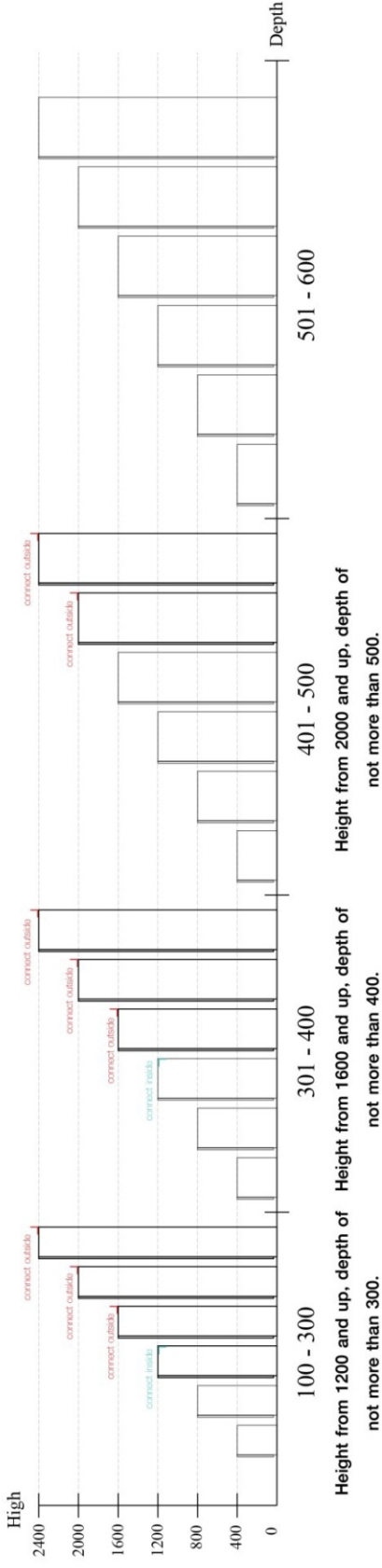


The Standard for identifying which mounted safety fall protection fitting to use **Note : That children's products must be installed with all anti-falling fittings.**

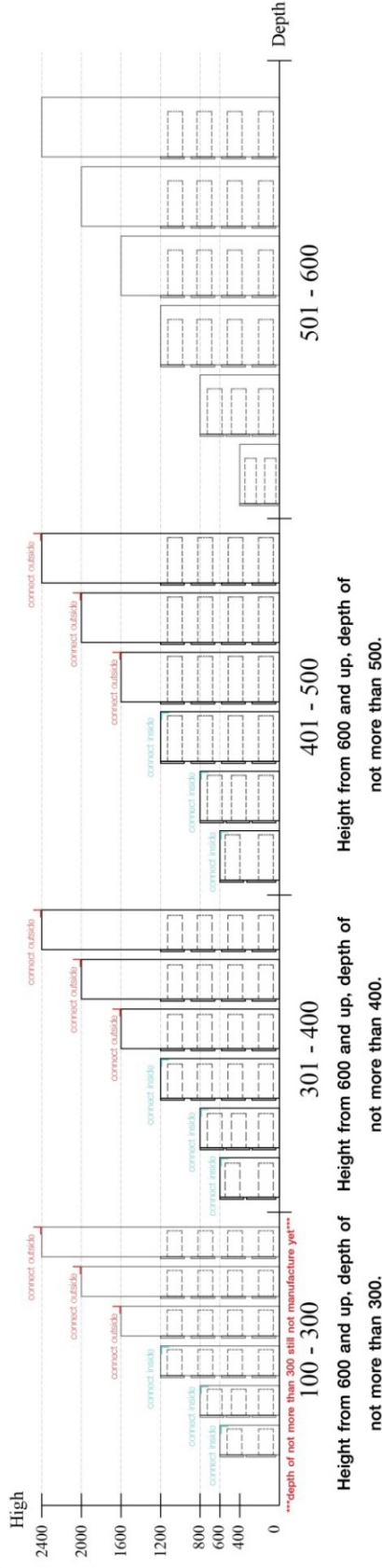
■ Mounted fall protection fittings



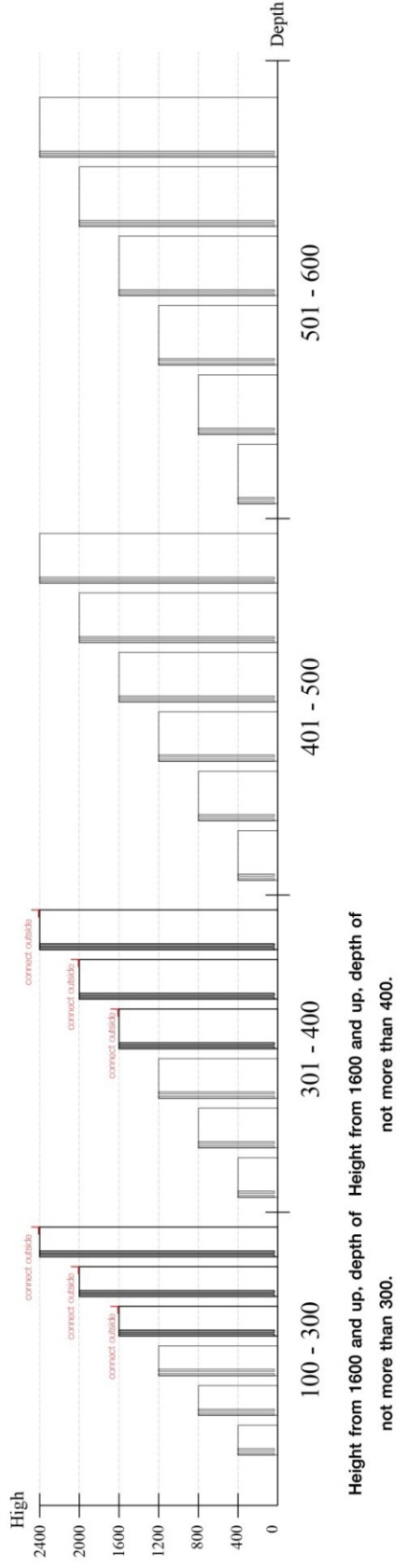
■ Category : Cabinet with open doors



■ Category : Chest of drawers

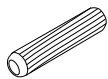


■ Category : Sliding door cabinet / Open cabinet



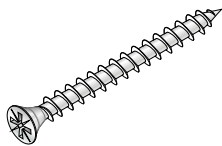
HARDWARE

-BODY SET



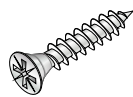
8x35mm.

x 21



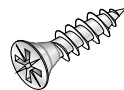
F+M4x40 mm.

x 18



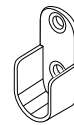
F+M4x20 mm.

x 12



F+M4x16mm.

x 60



x 2

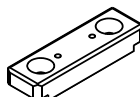


M3.5x13mm.

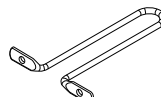
x 4



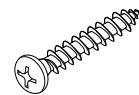
x 12



x 10

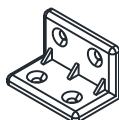


x 1

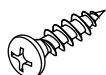


P+M4x30 mm.

x 37

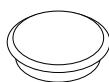


x 10

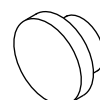


P+M4x16 mm.

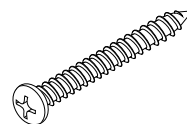
x 4



x 16

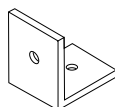


x 3

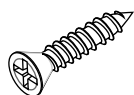


P+7x1 1/4"

x 3



x 1



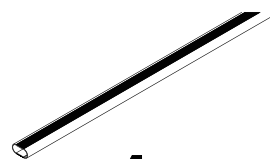
F+5x3/4"

x 1

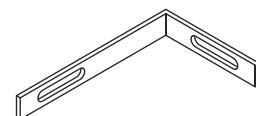


F+5x1/2"

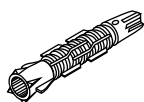
x 1



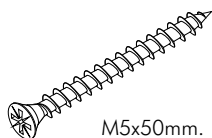
x 1



x 2



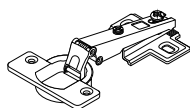
x 2



M5x50mm.

x 2

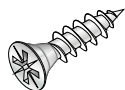
-BODY SET



x 6



x 3



M4x16mm.

x 36

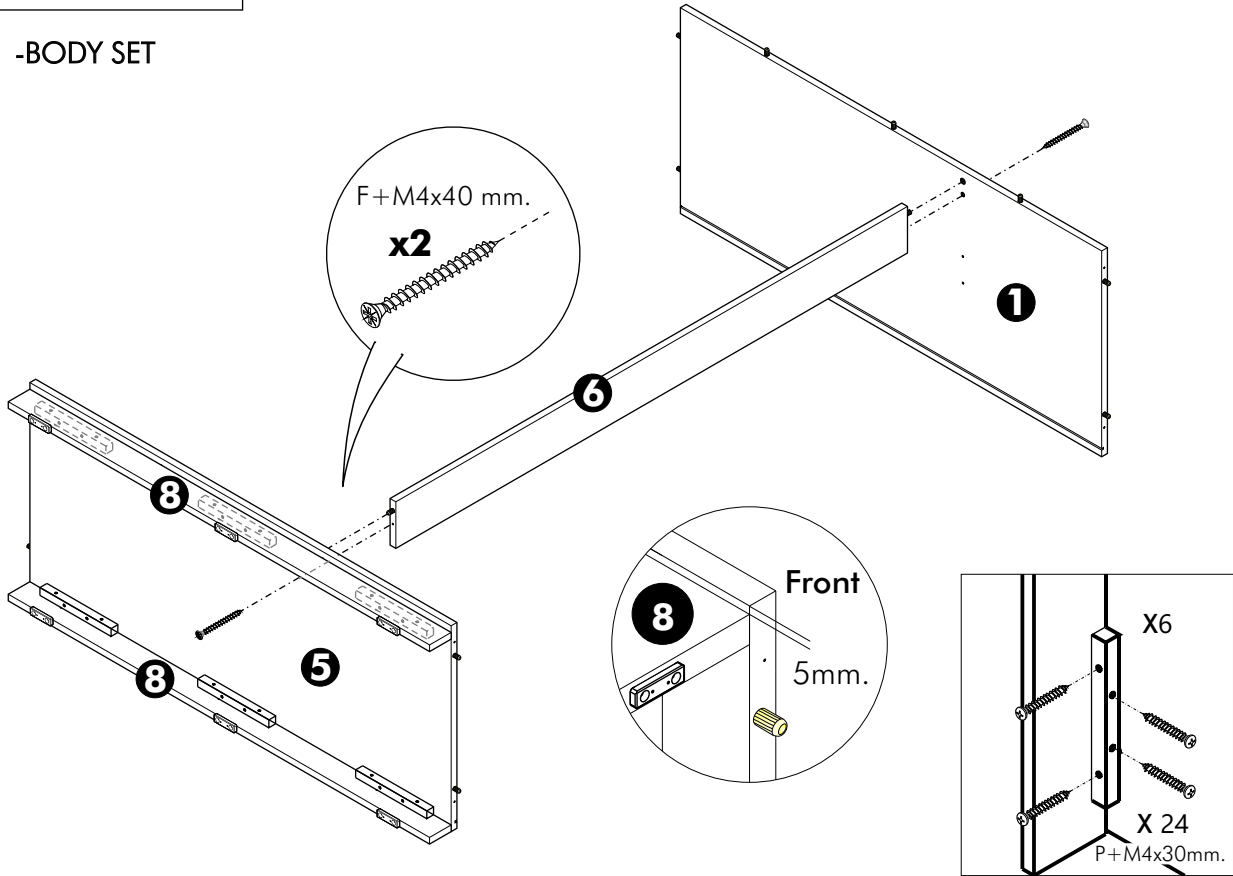


x 6

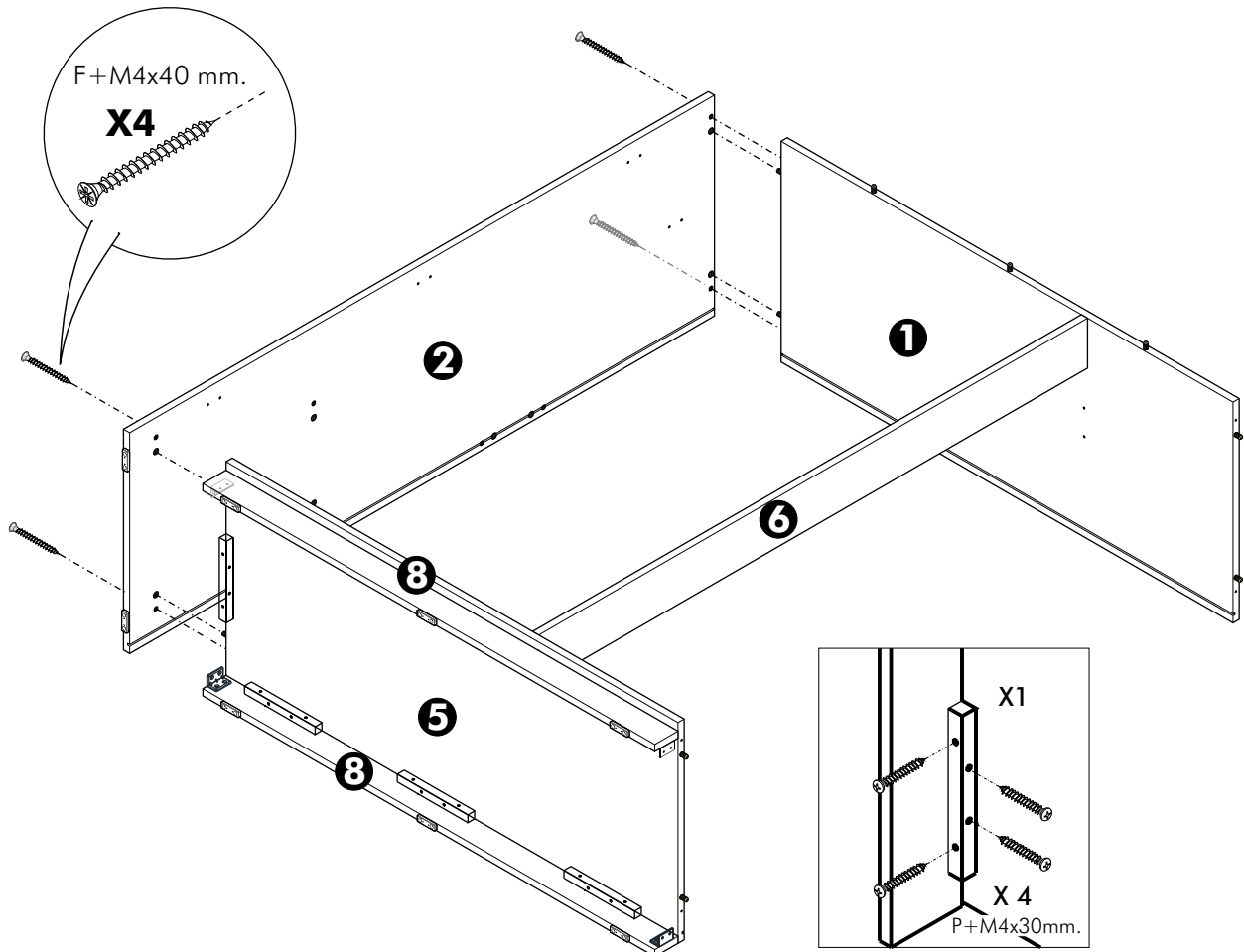
1.

ASSEMBLY

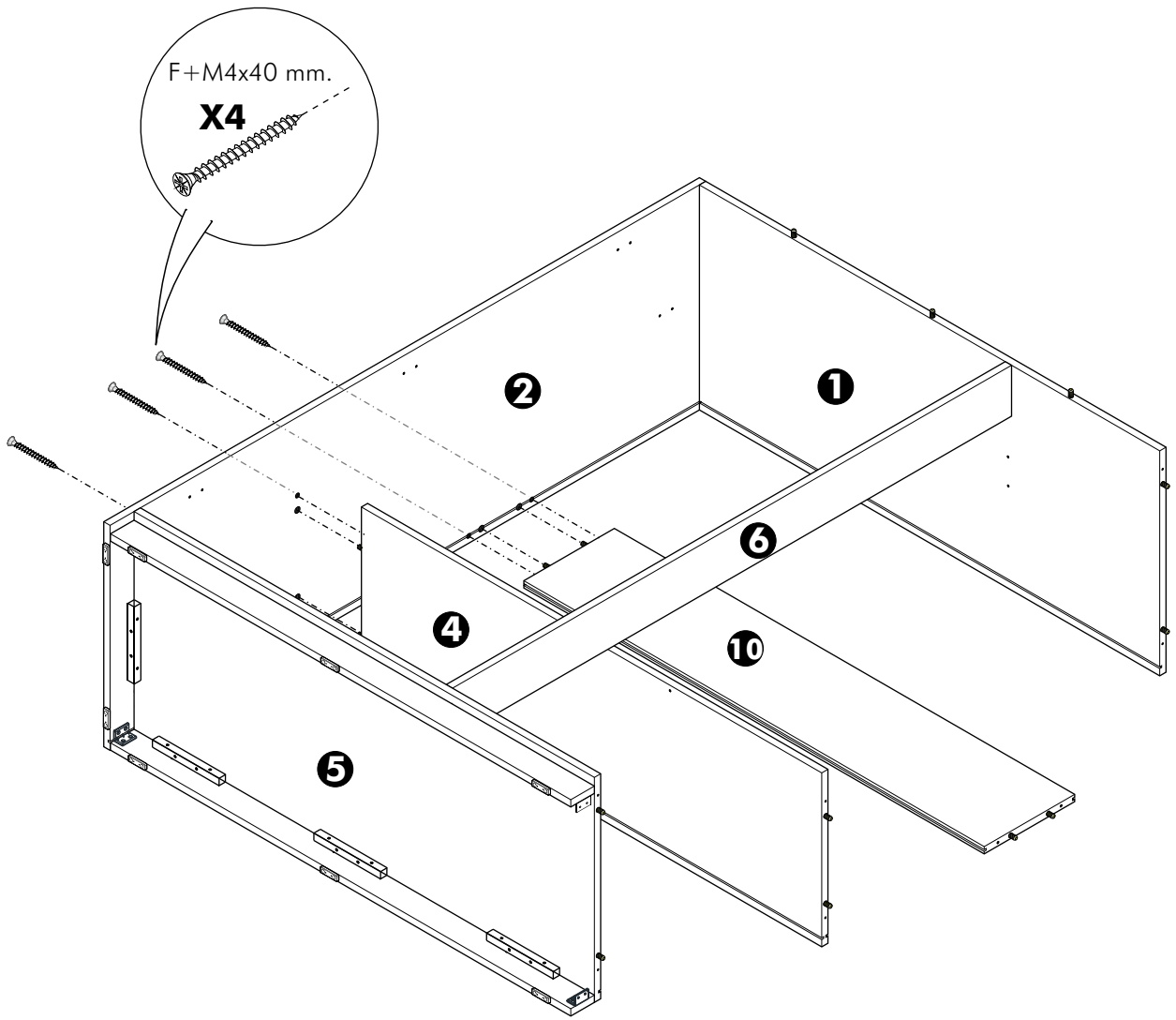
-BODY SET



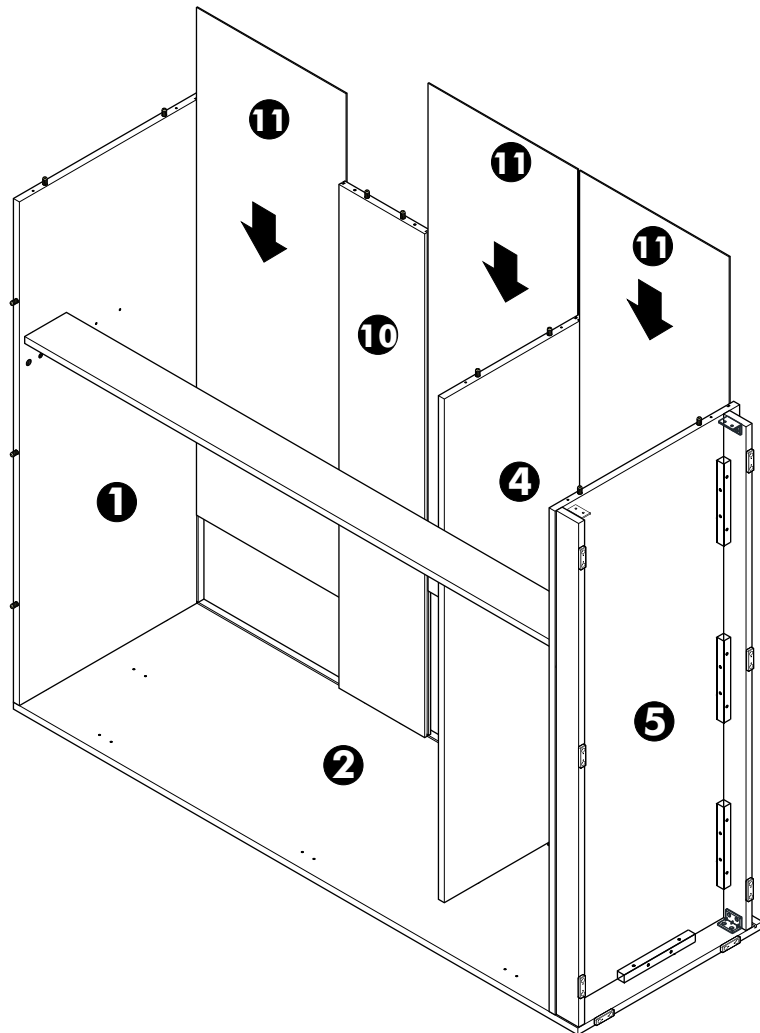
2.



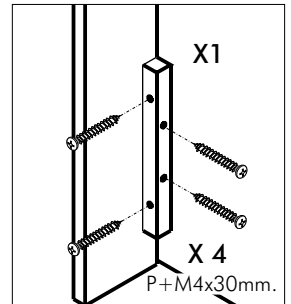
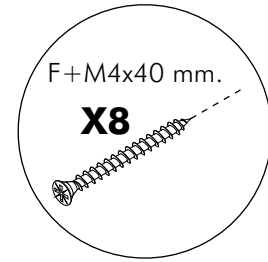
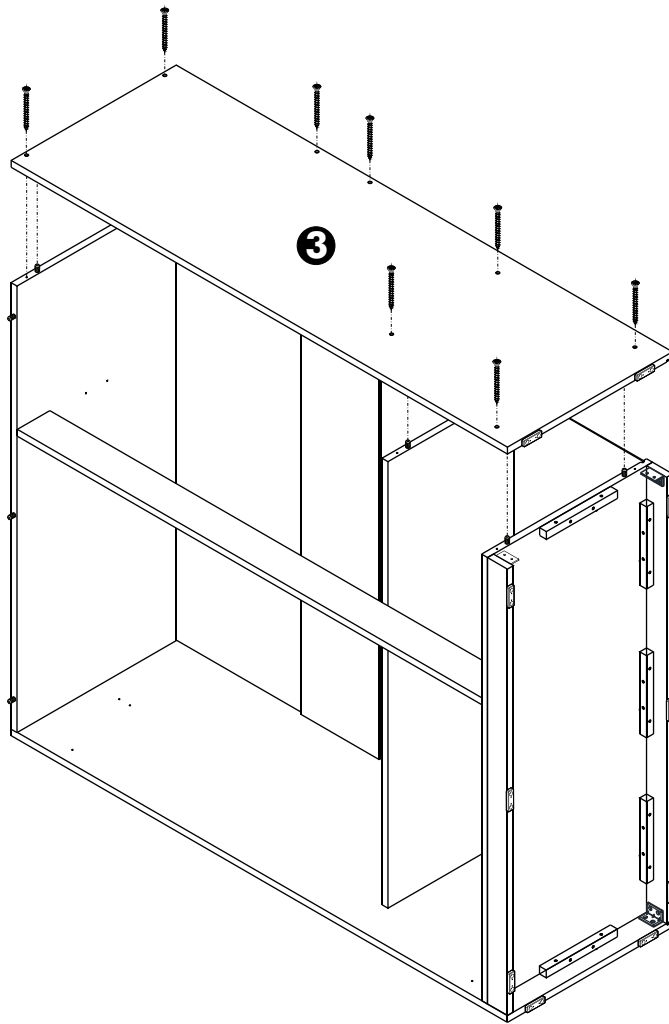
3.



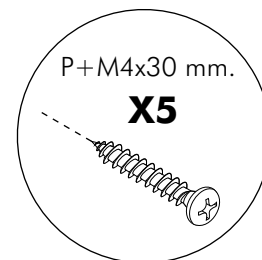
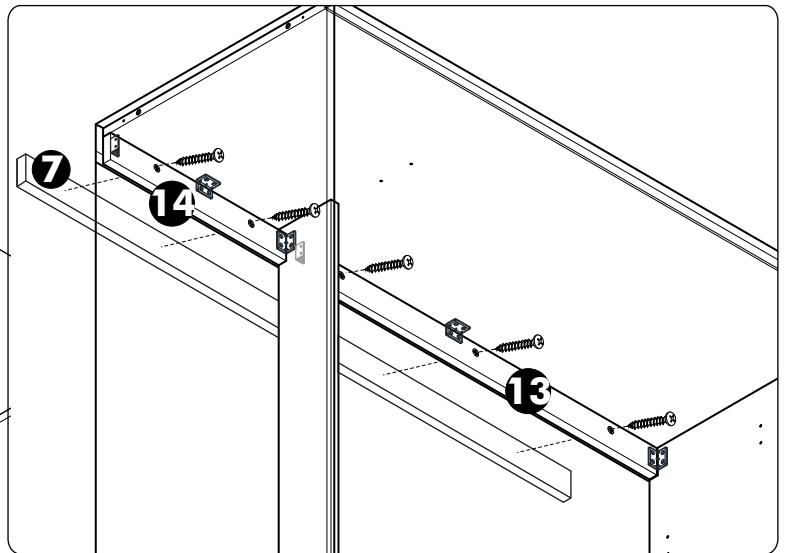
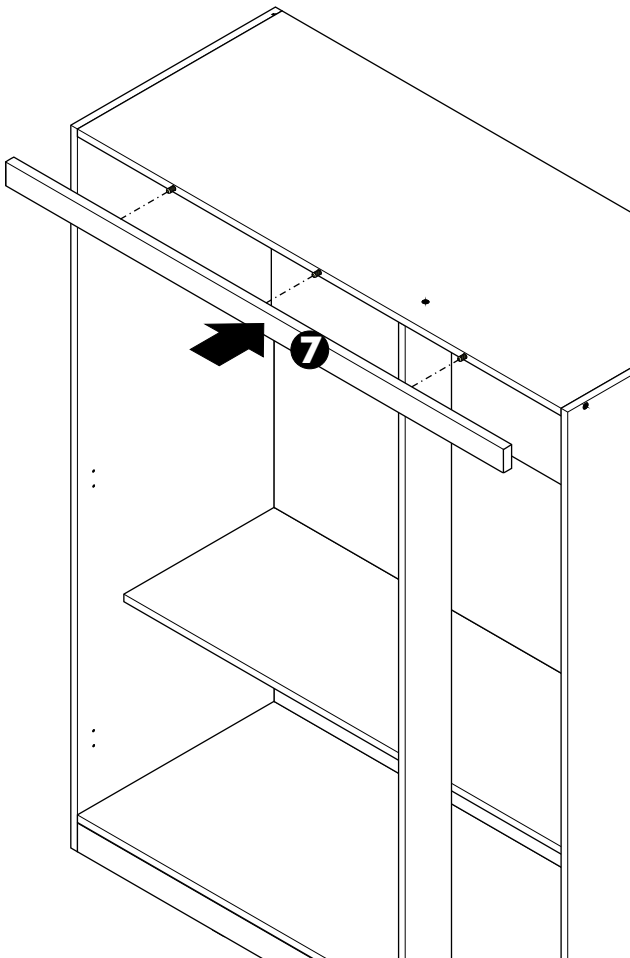
4.



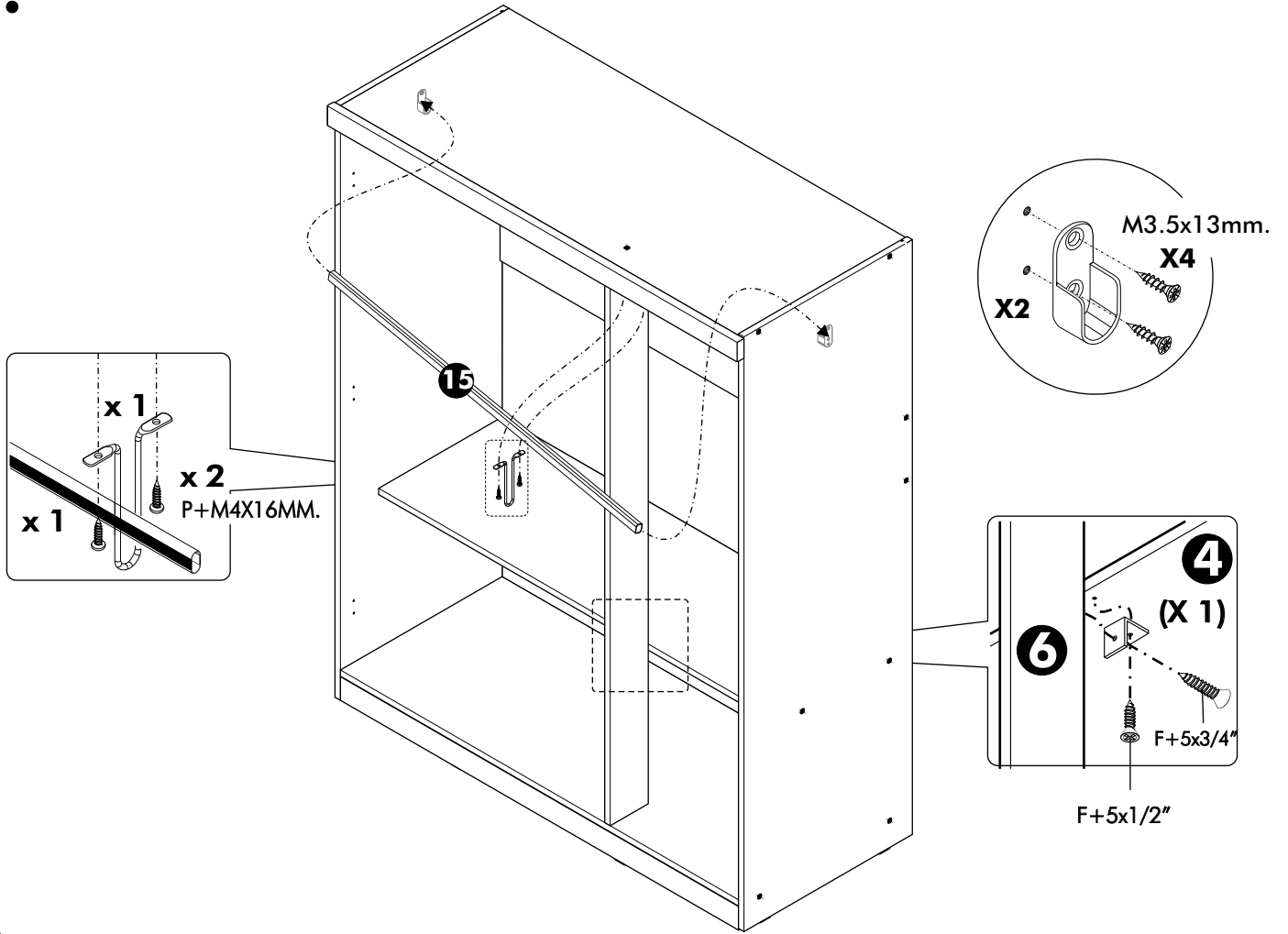
5.



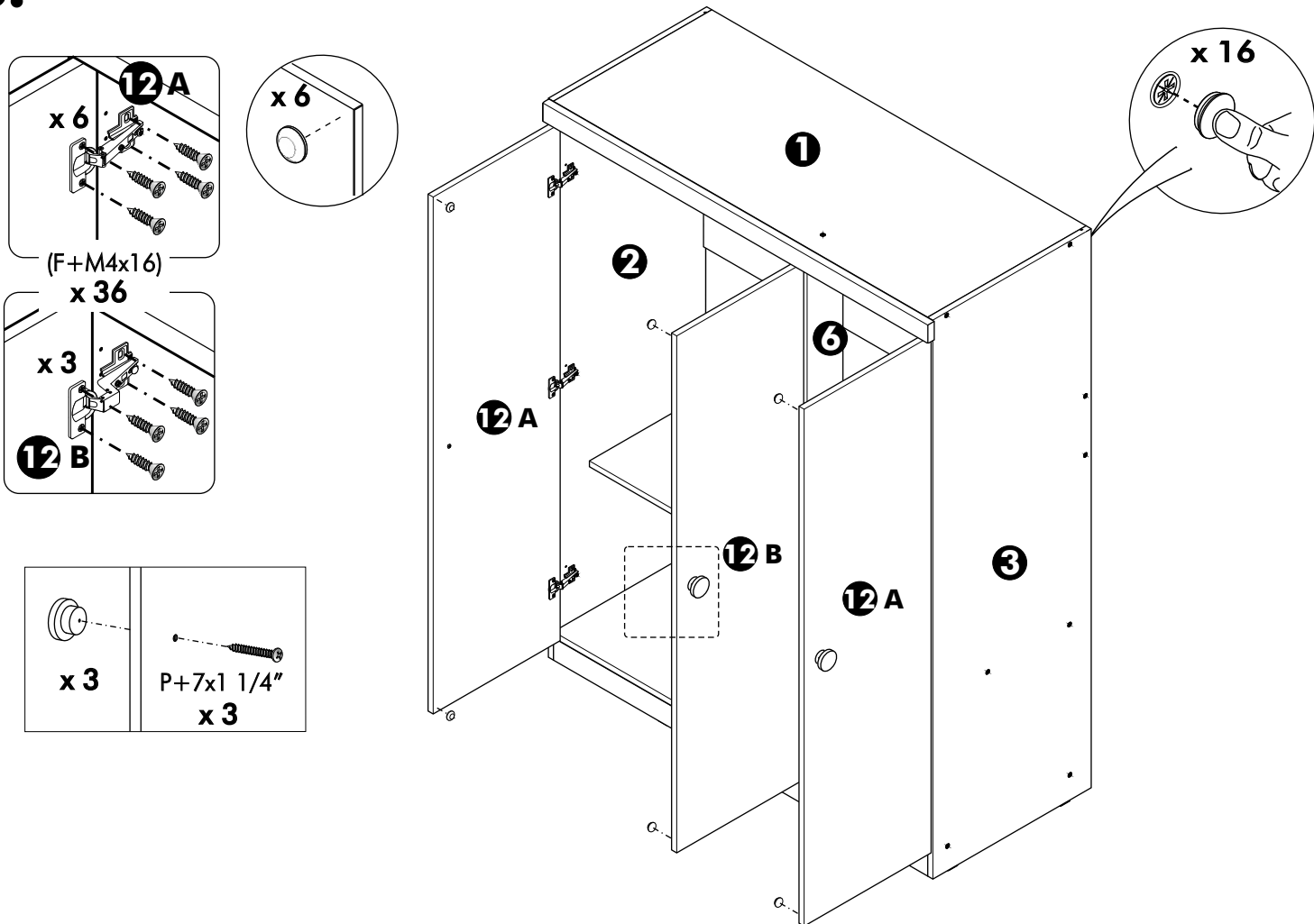
6.



7.



8.



9.

