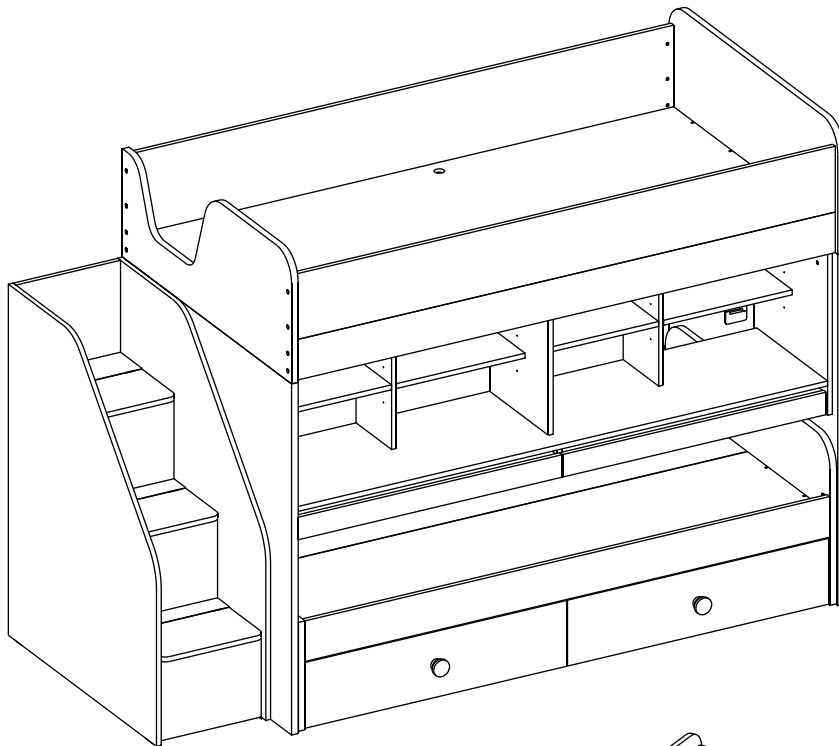
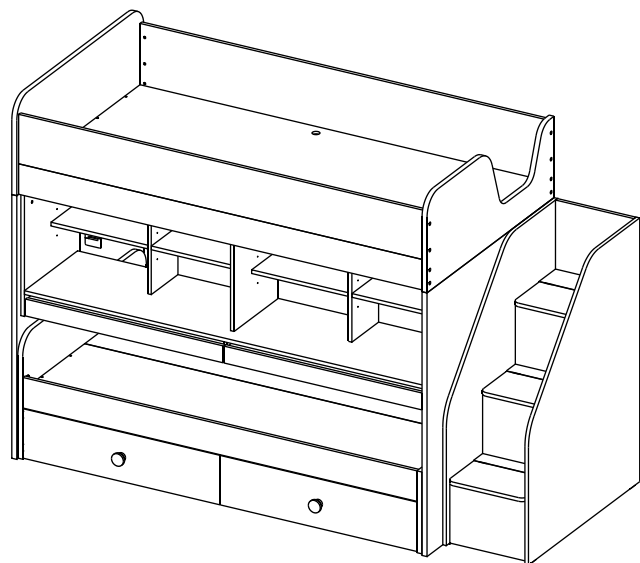


CIEL

Bunk bed 3.5ft.



TYPE:A



TYPE:B

CONNECT SYSTEM

1

3

2

(Connecting bolts)

WHEN FITTING CAMS
 ENSURE STARTING POSITION IS CORRECT
 BEFORE YOU INSERT CONNECTING BOLT
 TURN CLOCKWISE UNTIL SECURE

✓				✗
↑				
	CORRECT	WRONG		

P+M4x16mm.

M3.5x13mm.

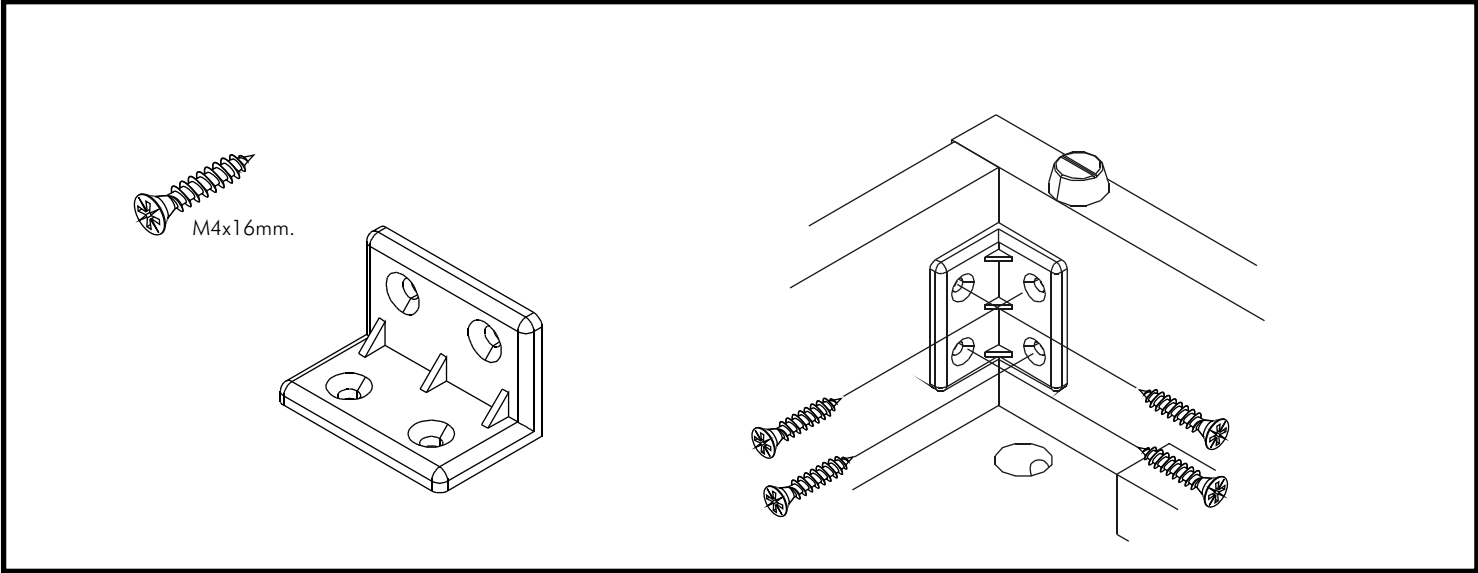
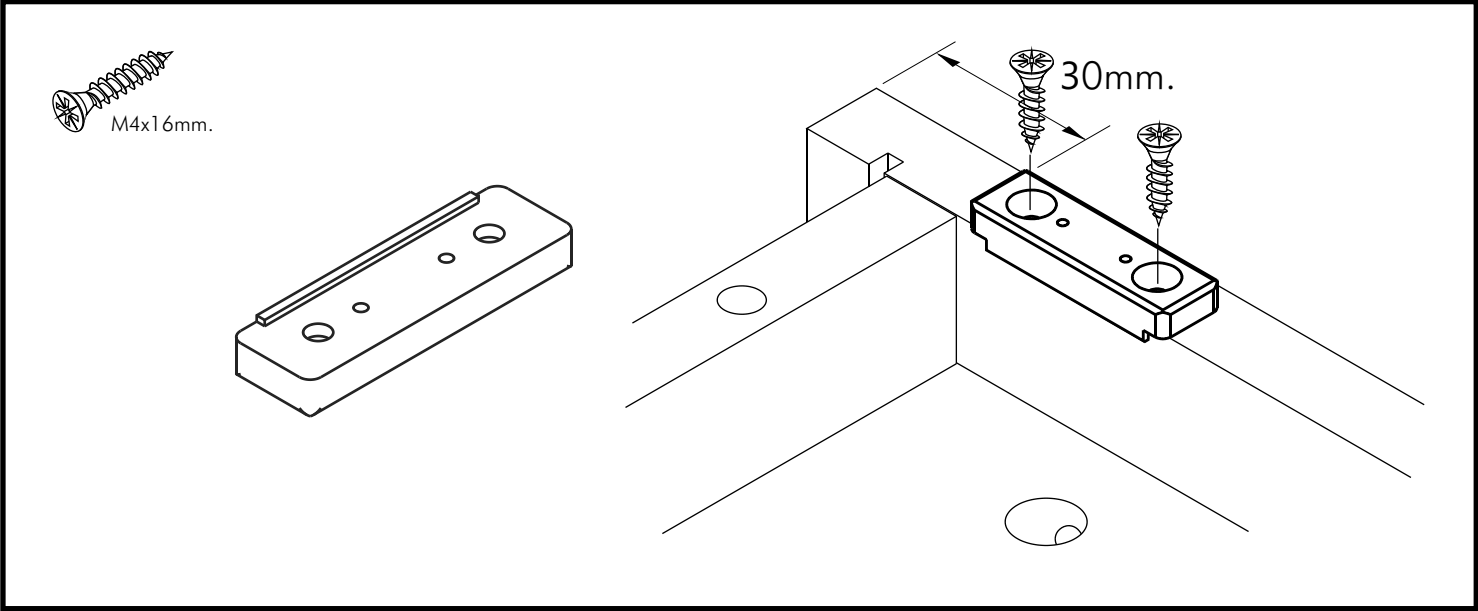
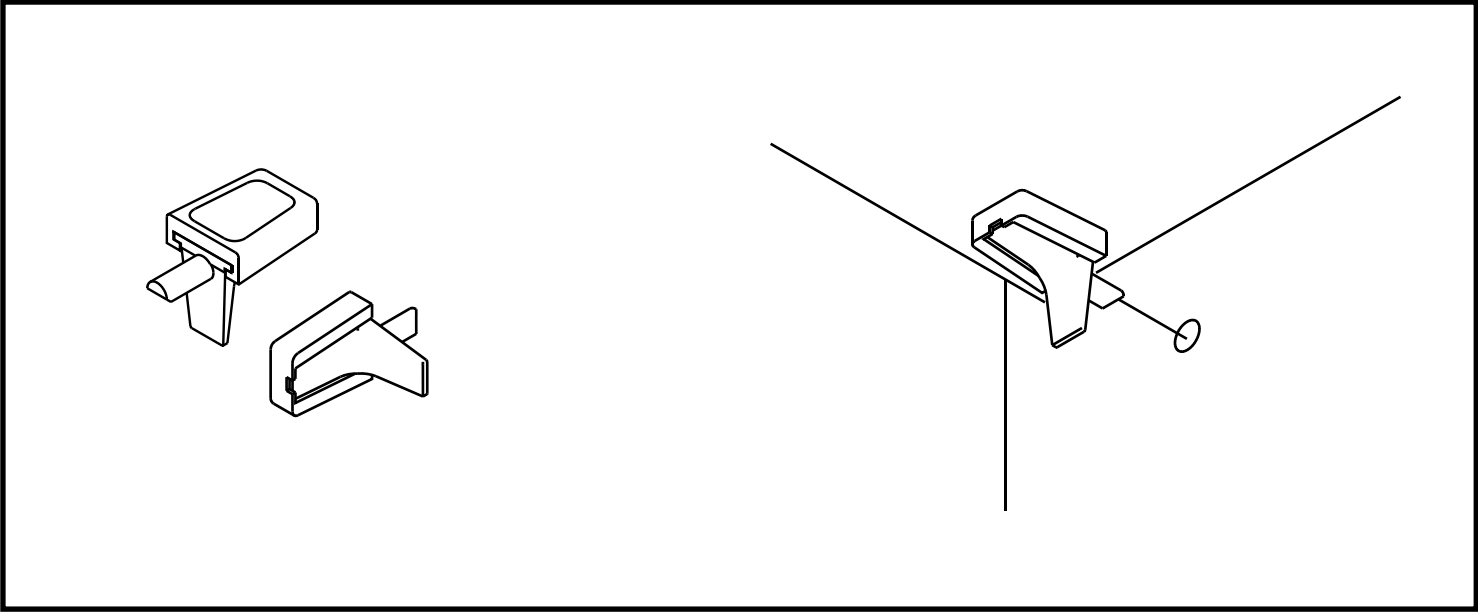
1

Use these holes

2

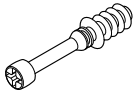
Use these holes

CONNECT SYSTEM



HARDWARE

-BODY SET

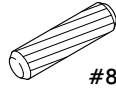


x 38



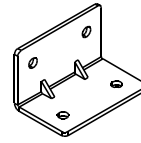
x 38

19mm.

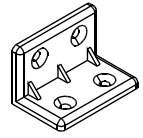


x 118

#8x35



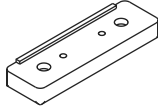
x 25



x 28



x 16



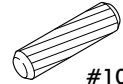
x 8



x 4

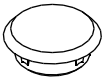


x 28

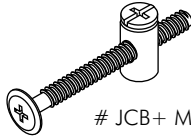


x 8

#10x50



x 32



x 28

JCB+ M6x60



x 176

M4x16mm.



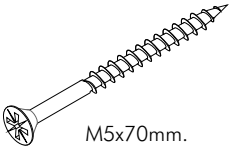
x 108

M4x30mm.



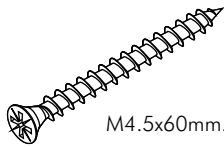
x 13

M4x50mm.



x 4

M5x70mm.



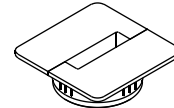
x 4

M4.5x60mm.

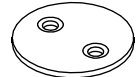


x 158

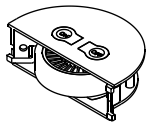
M4x16mm.



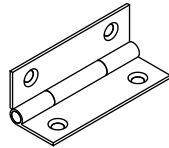
x 2



x 2



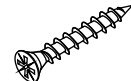
x 4



x 6



x 6



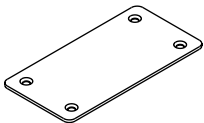
x 28

M4x25mm.

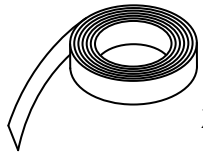


x 24

#5x5/8"



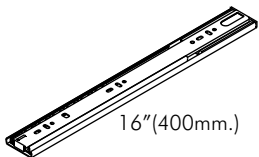
x 8



x 4

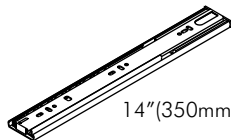
(Frieze)

-DRAWER SET



x 4

16"(400mm.)



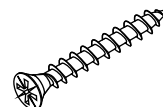
x 4

14"(350mm.)



x 48

M3.5x13mm.



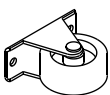
x 26

M4x40mm.

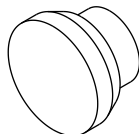


x 12

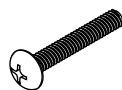
M6x23mm.



x 3

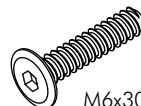


x 2



x 2

M4x22mm.



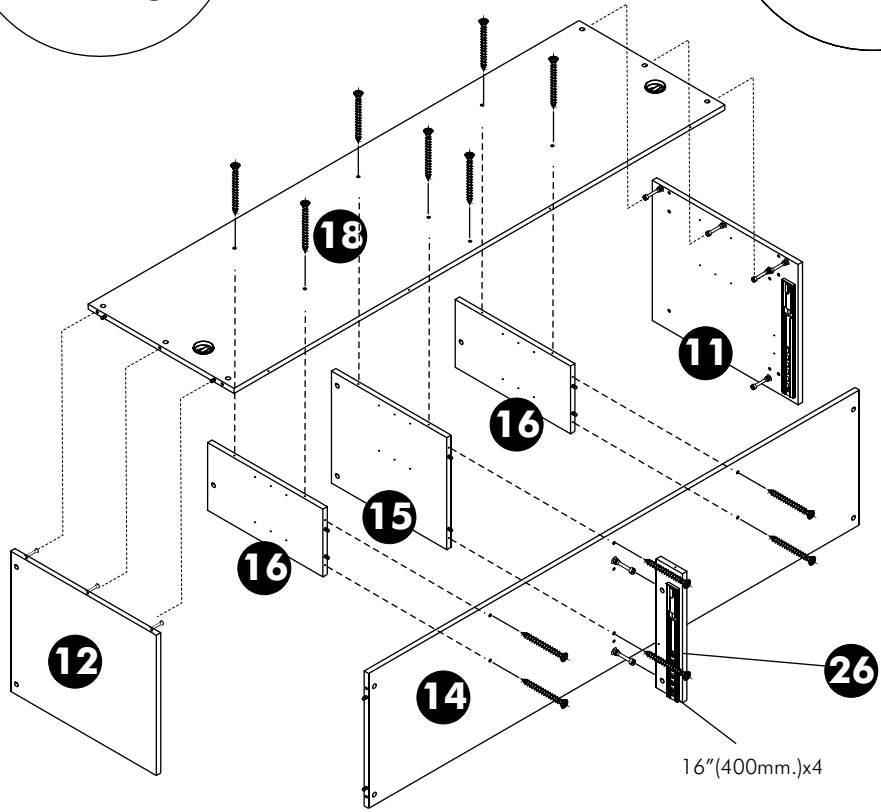
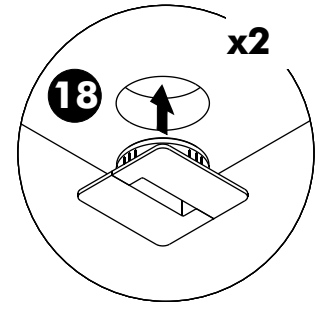
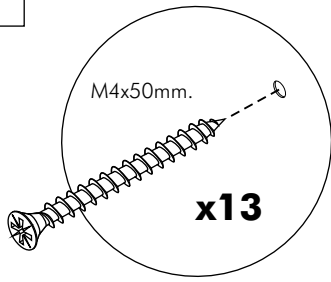
x 8

M6x30mm.

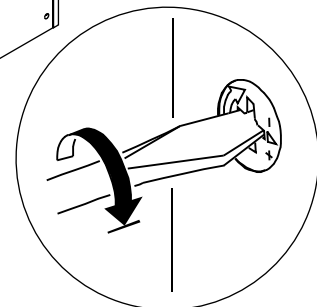
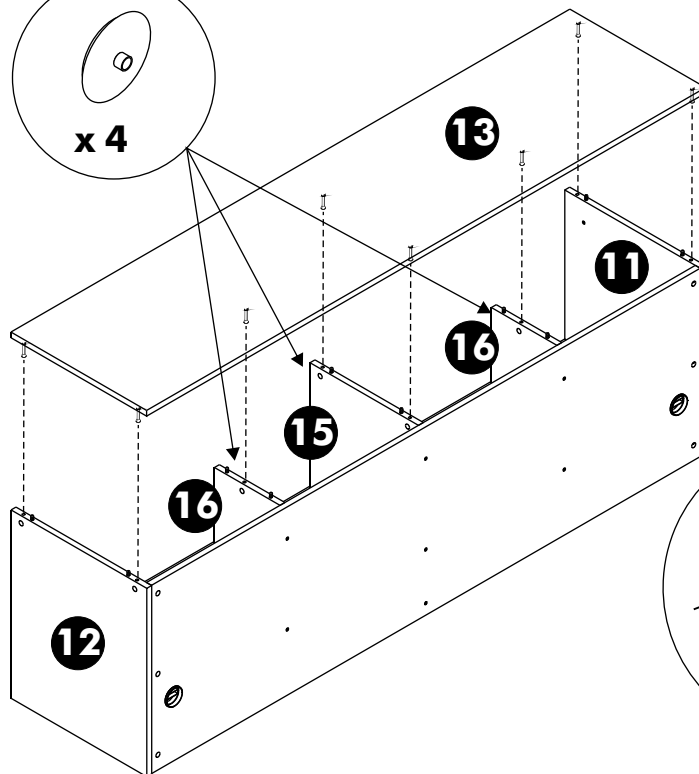
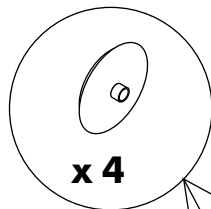
ASSEMBLY

-BODY SET

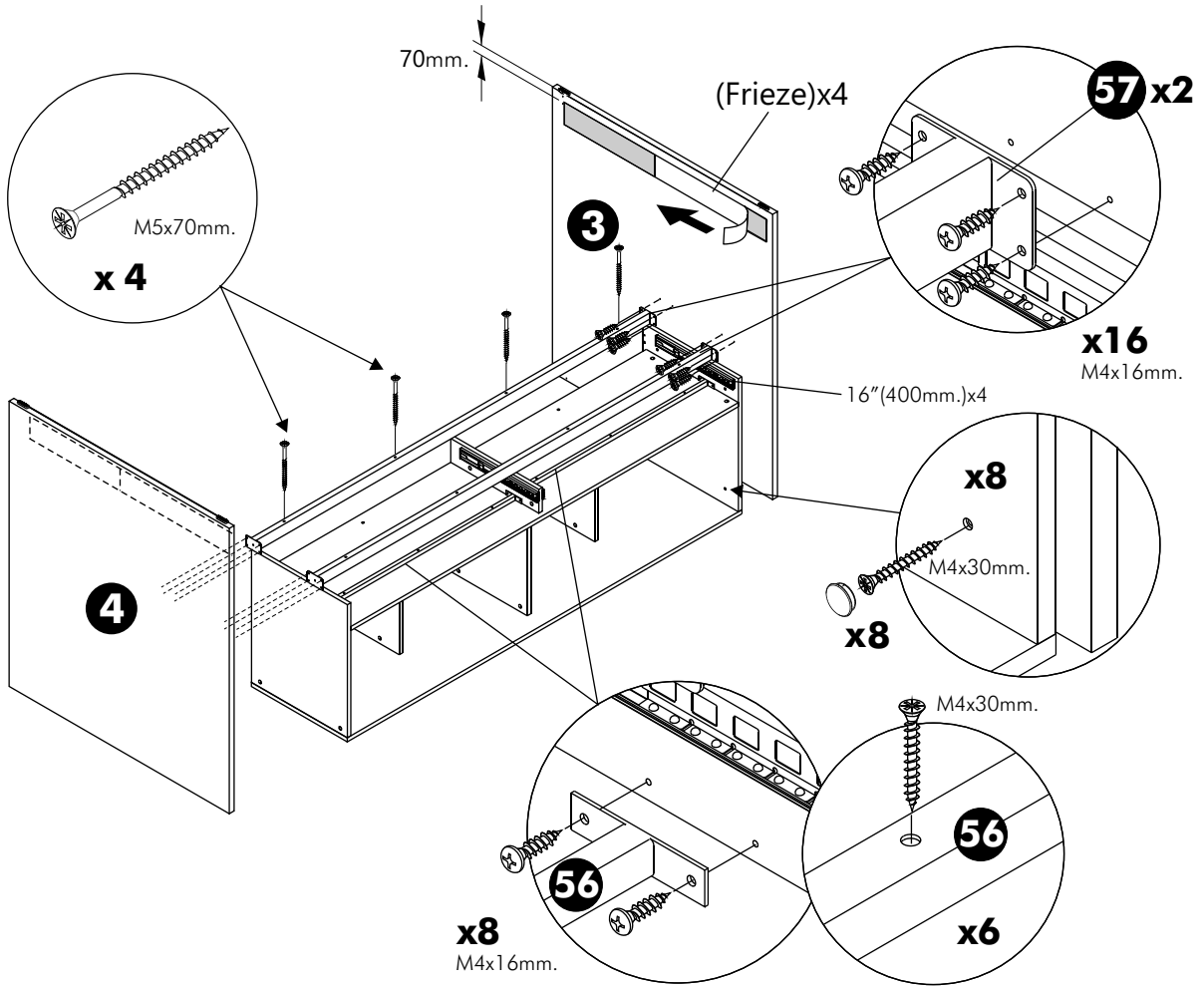
1.



2.

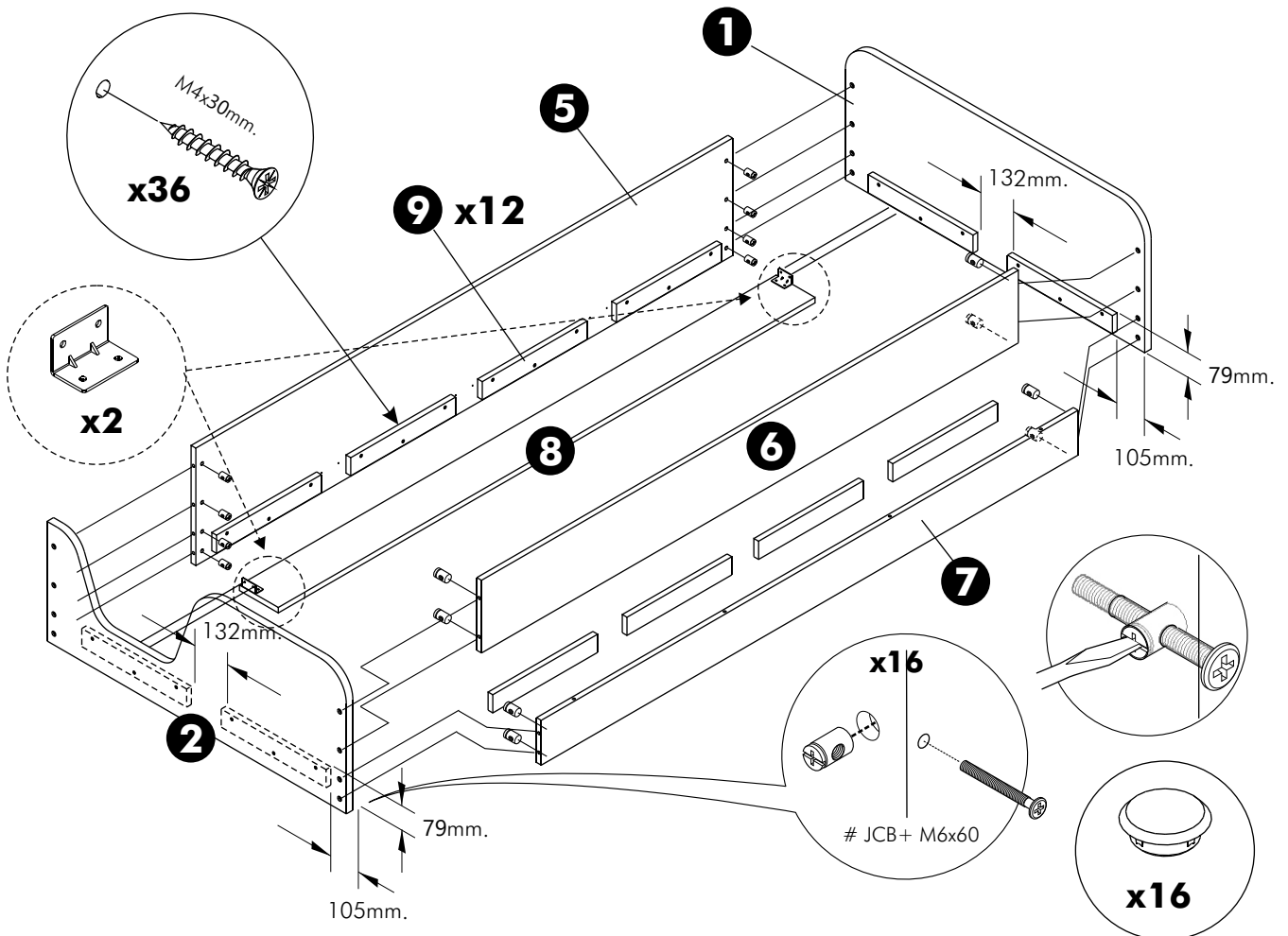


3.



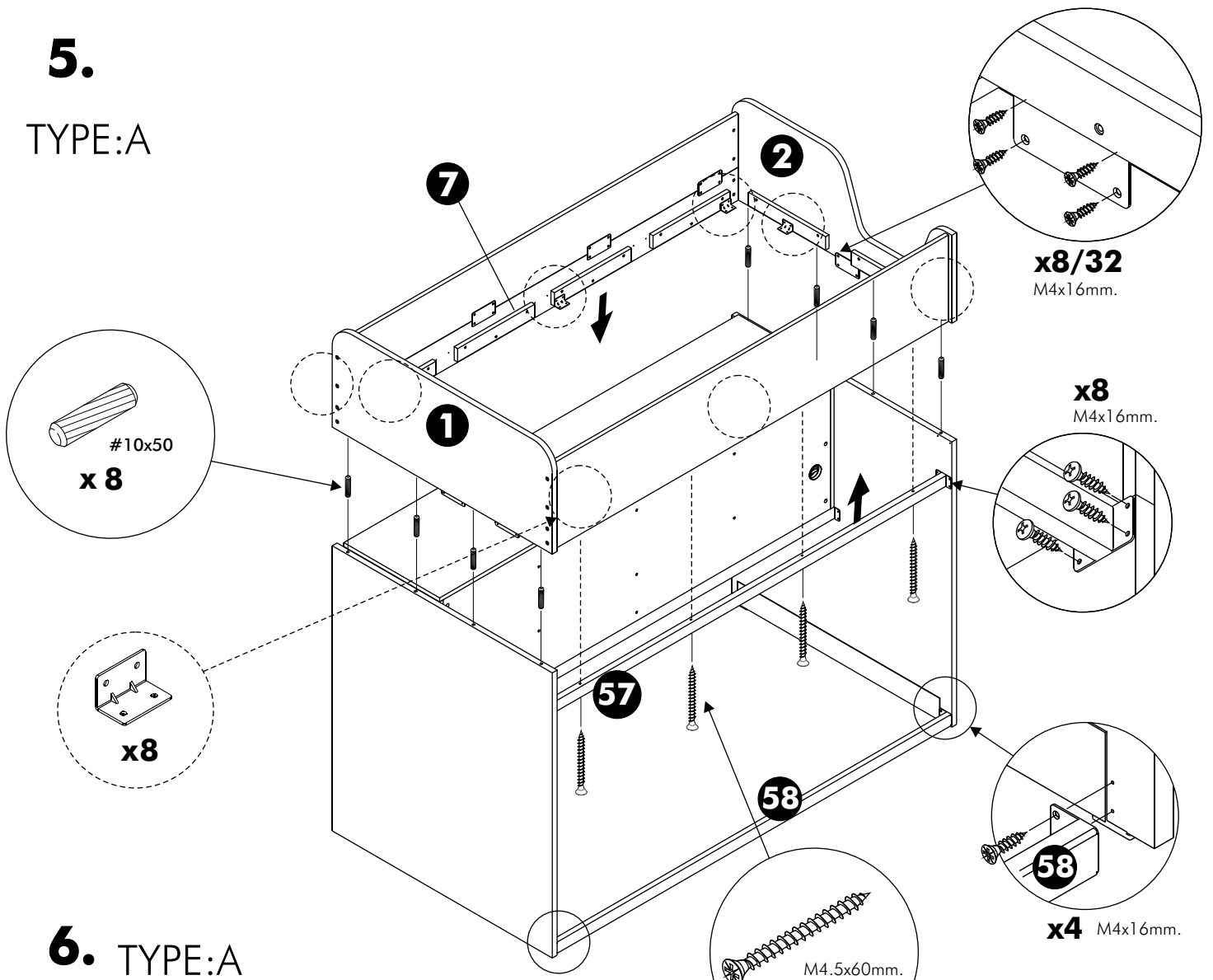
4.

TYPE:A



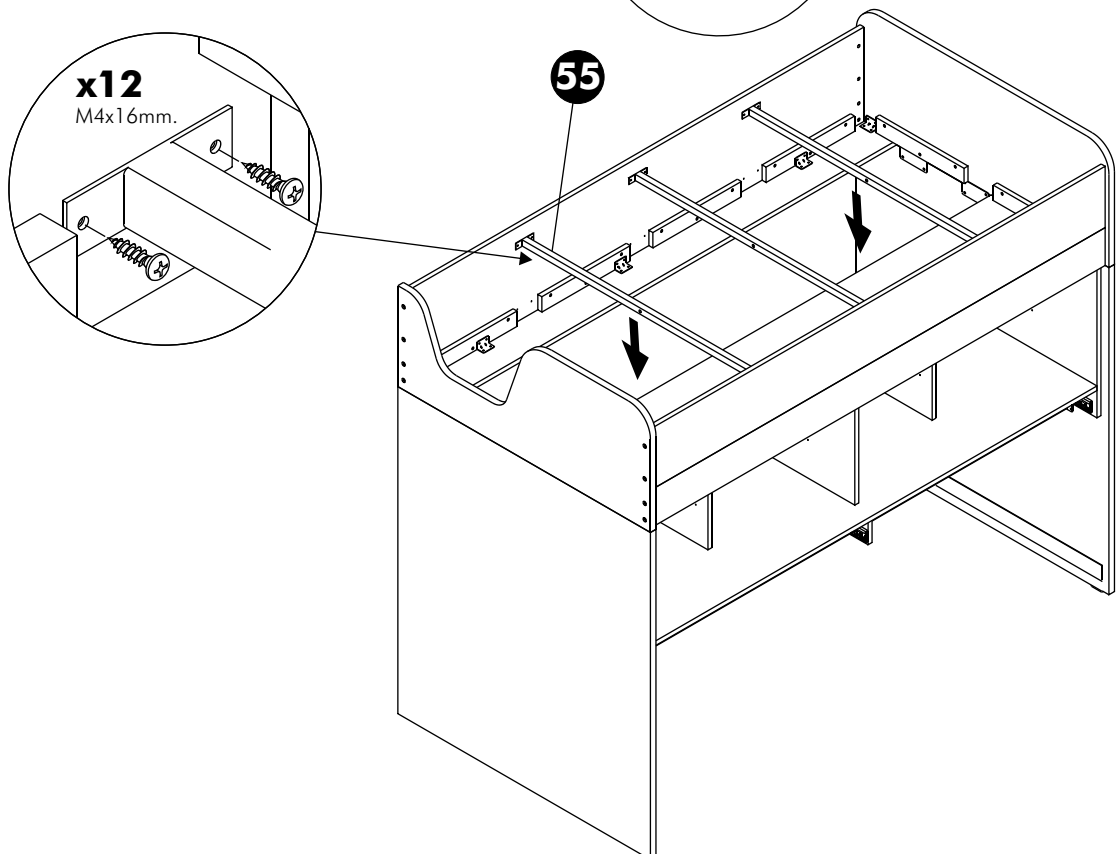
5.

TYPE:A

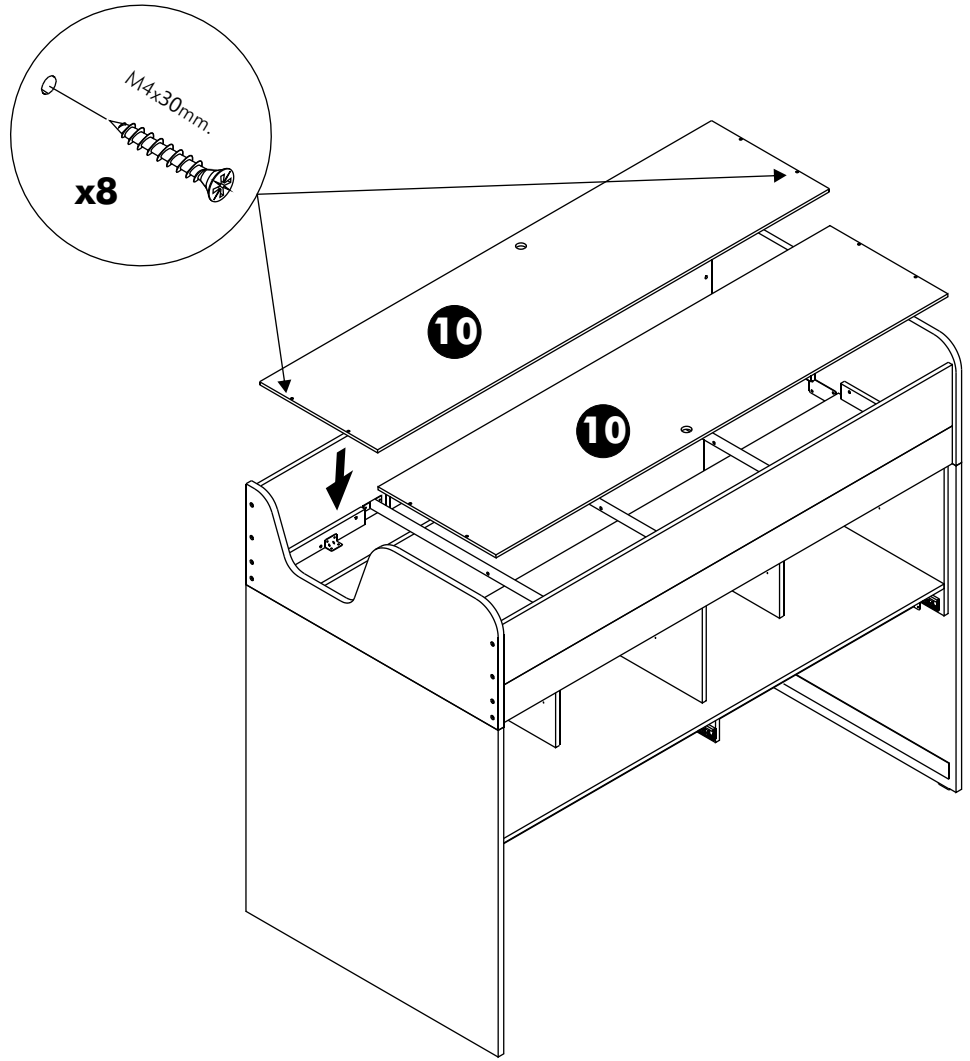


6.

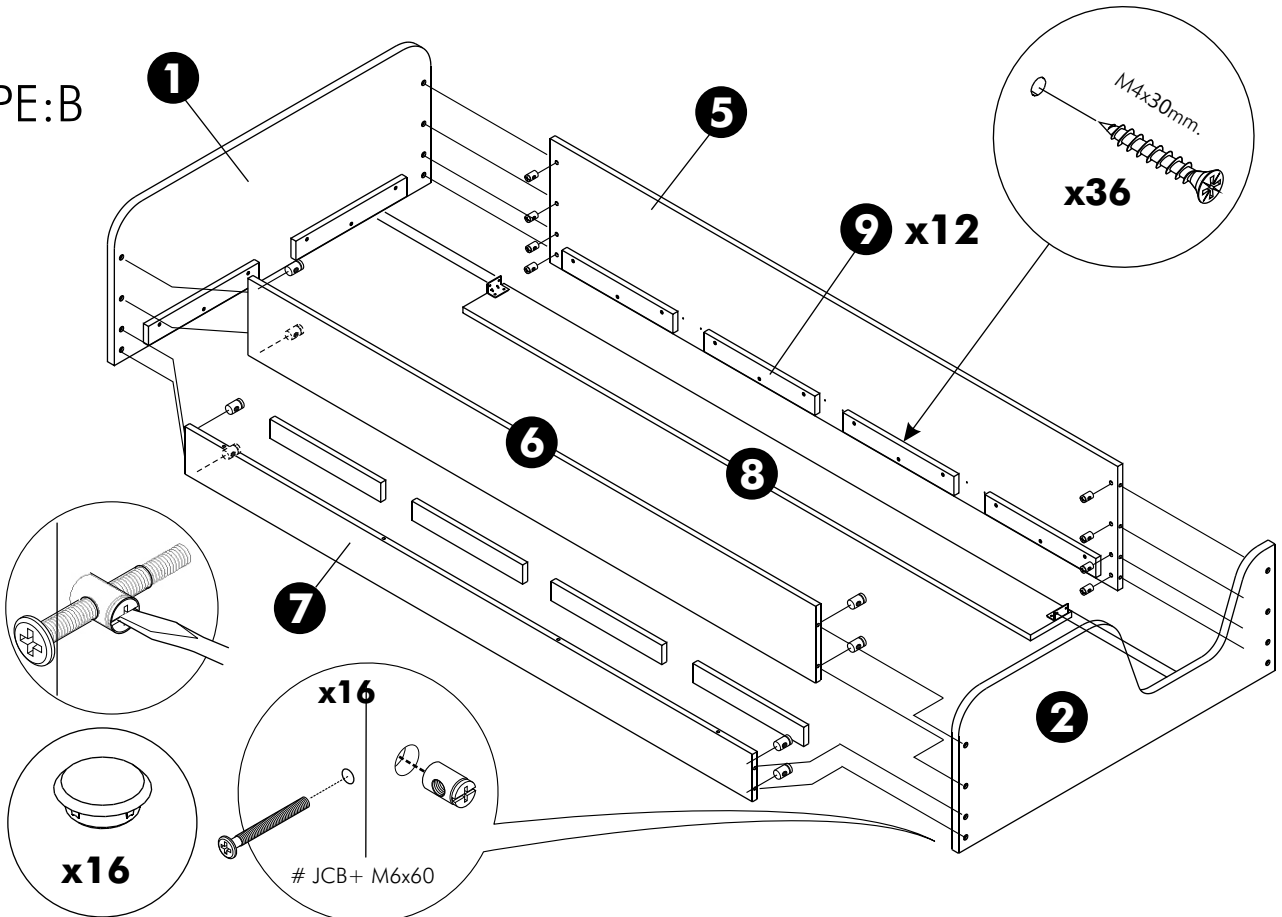
TYPE:A



7. TYPE:A

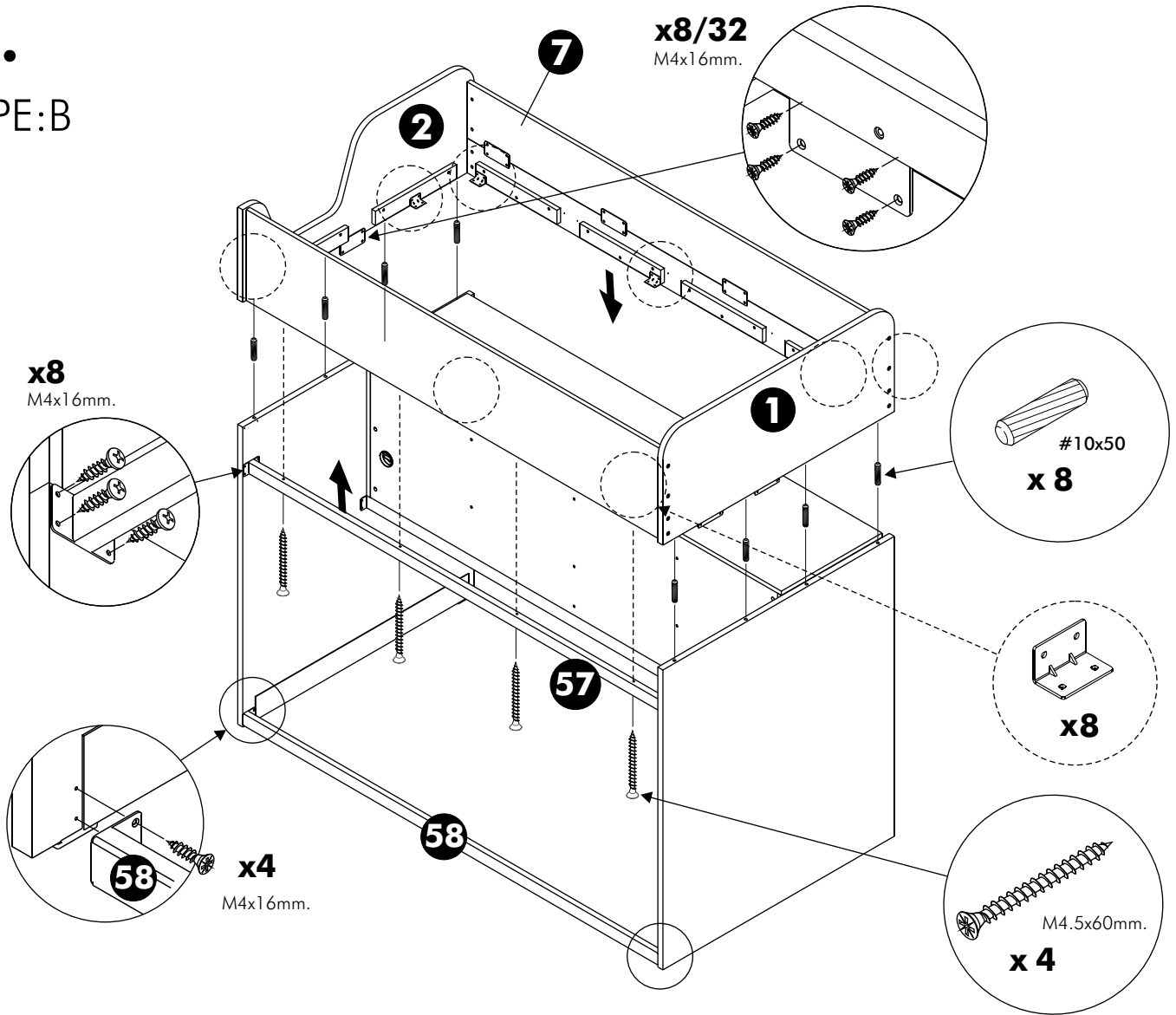


4. TYPE:B



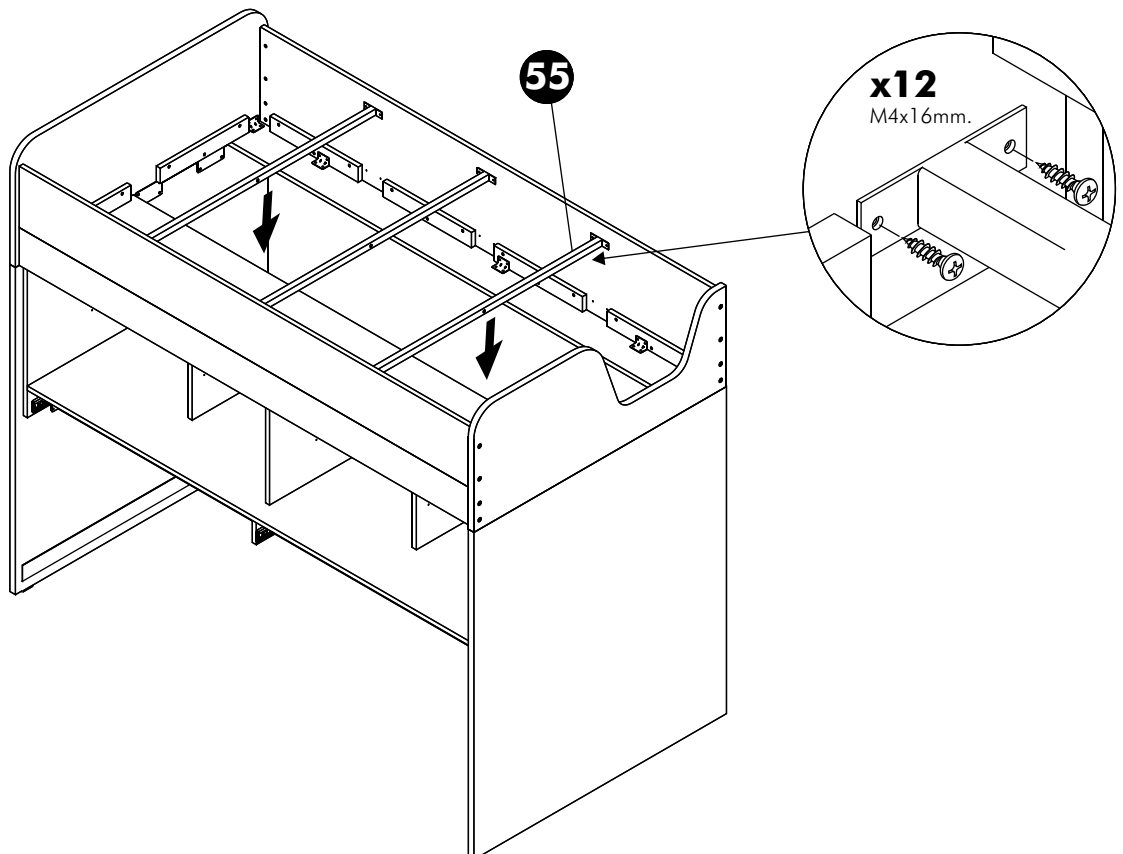
5.

TYPE:B

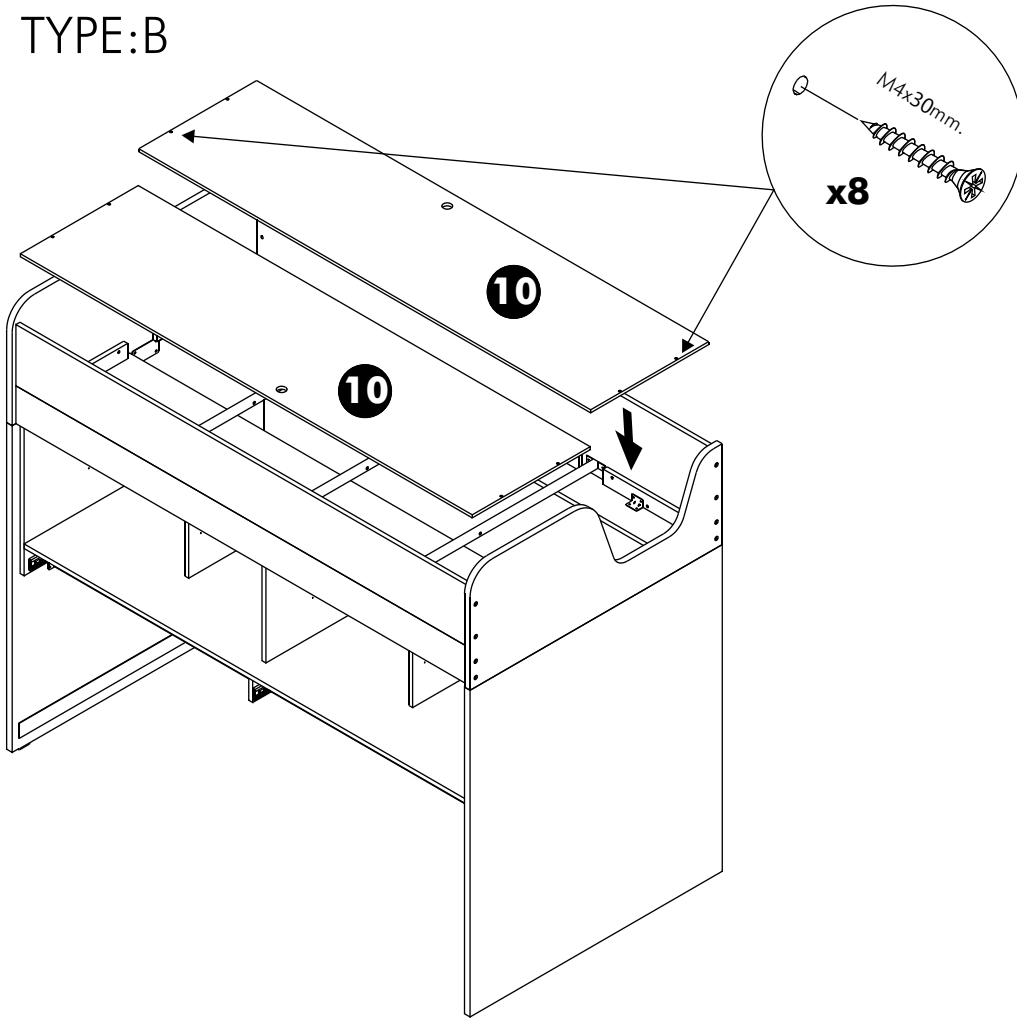


6.

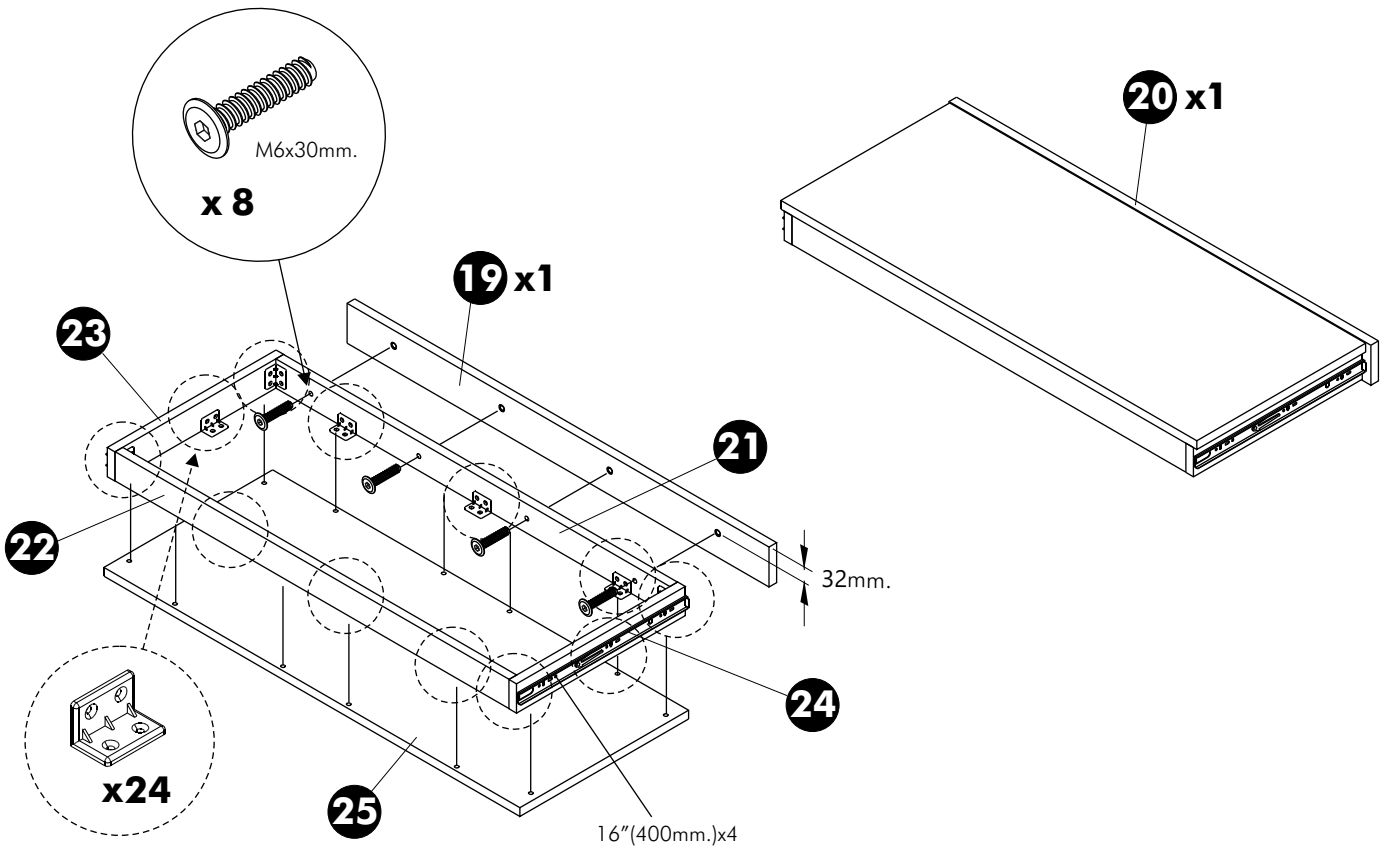
TYPE:B



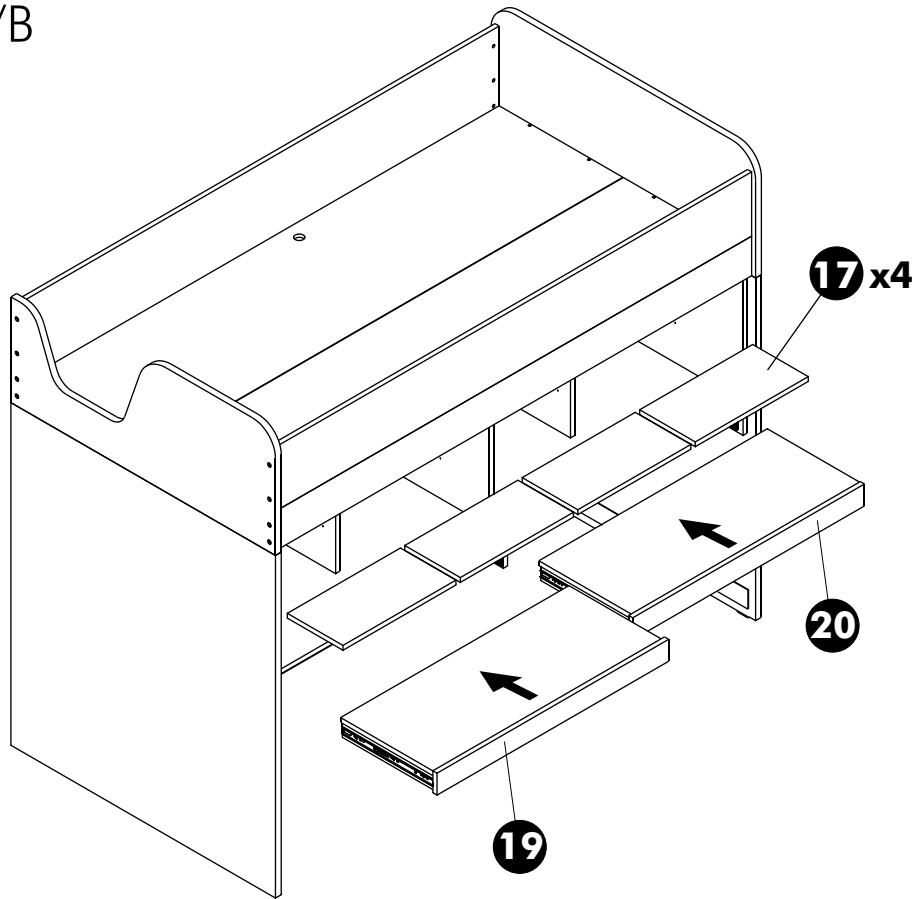
7. TYPE: B



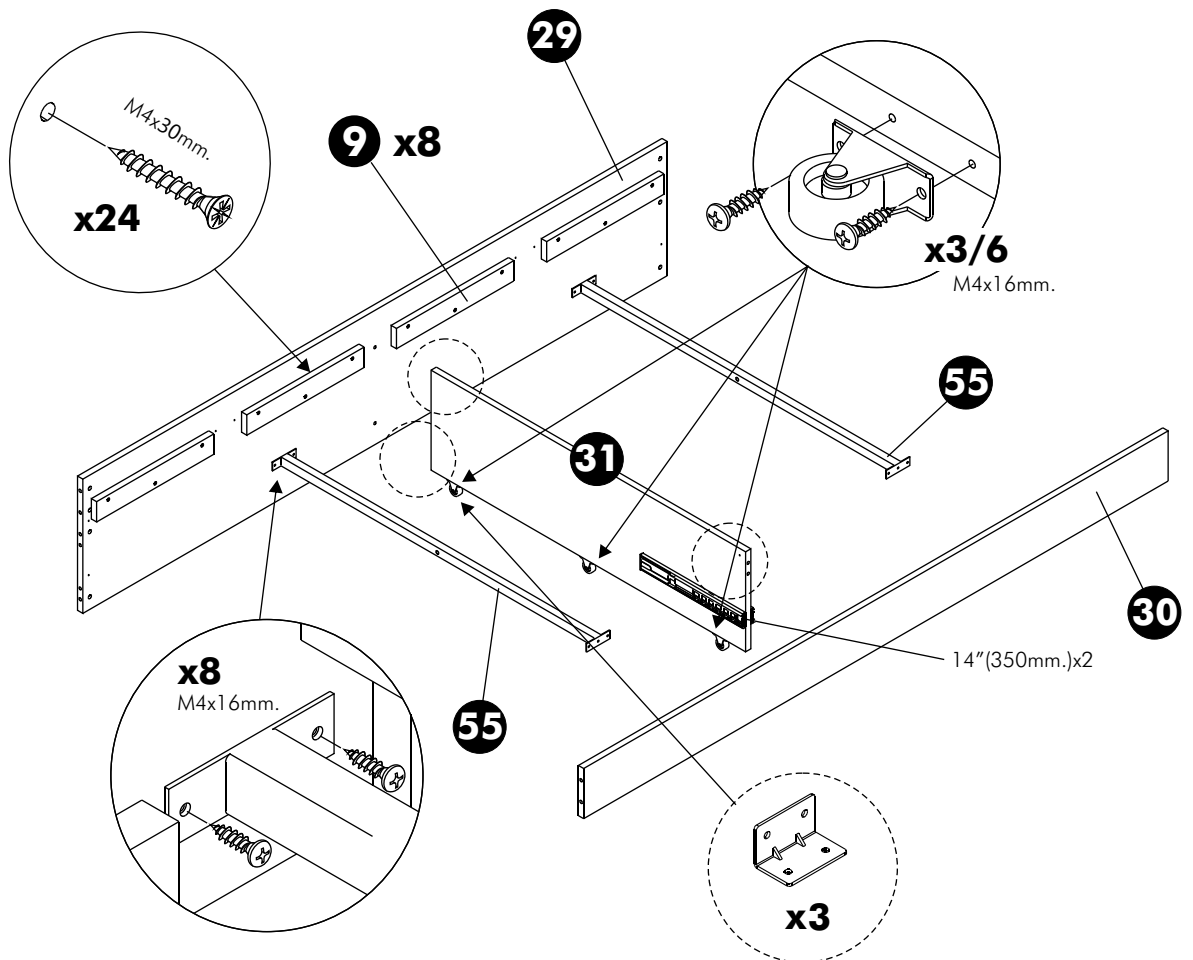
8.



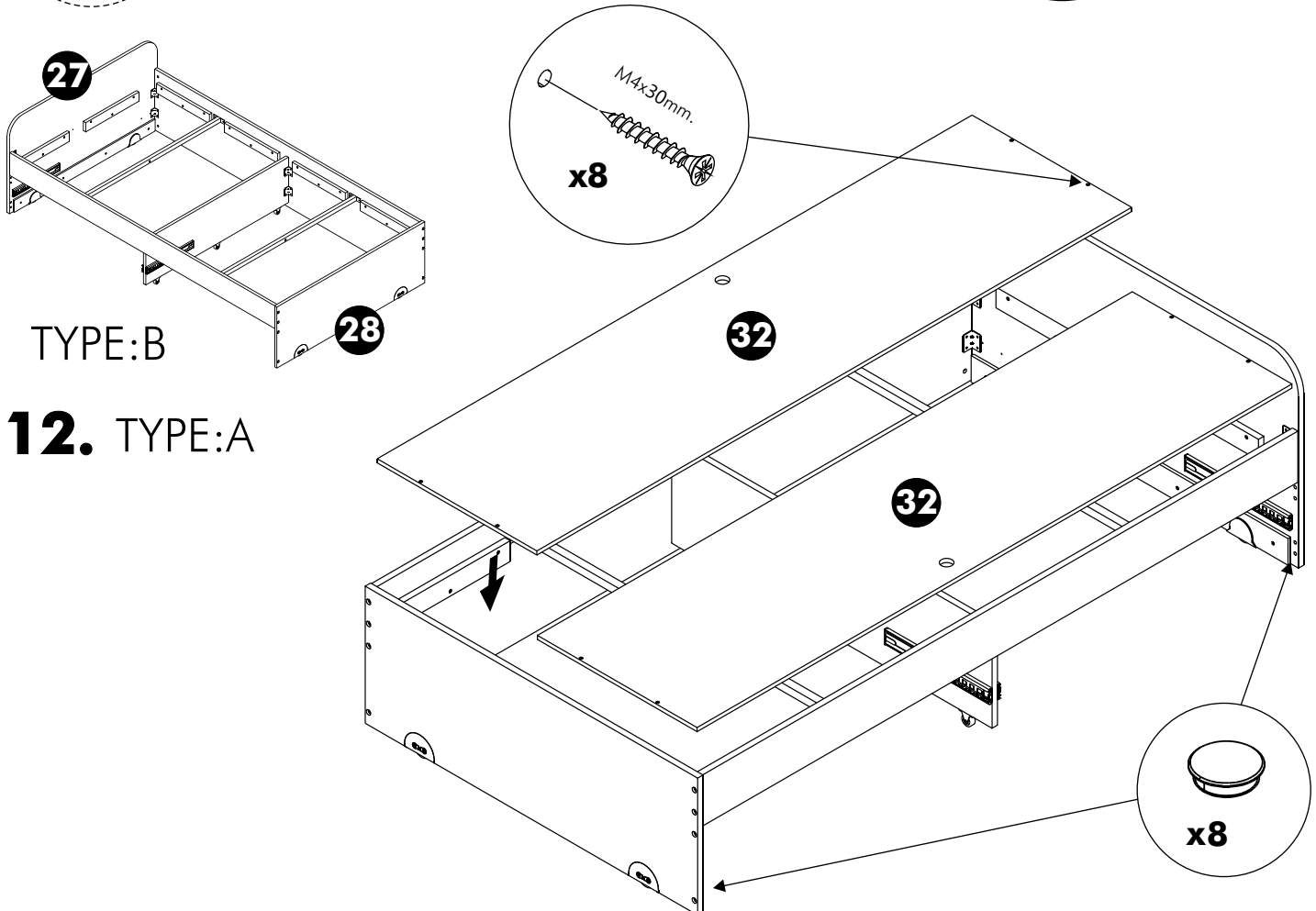
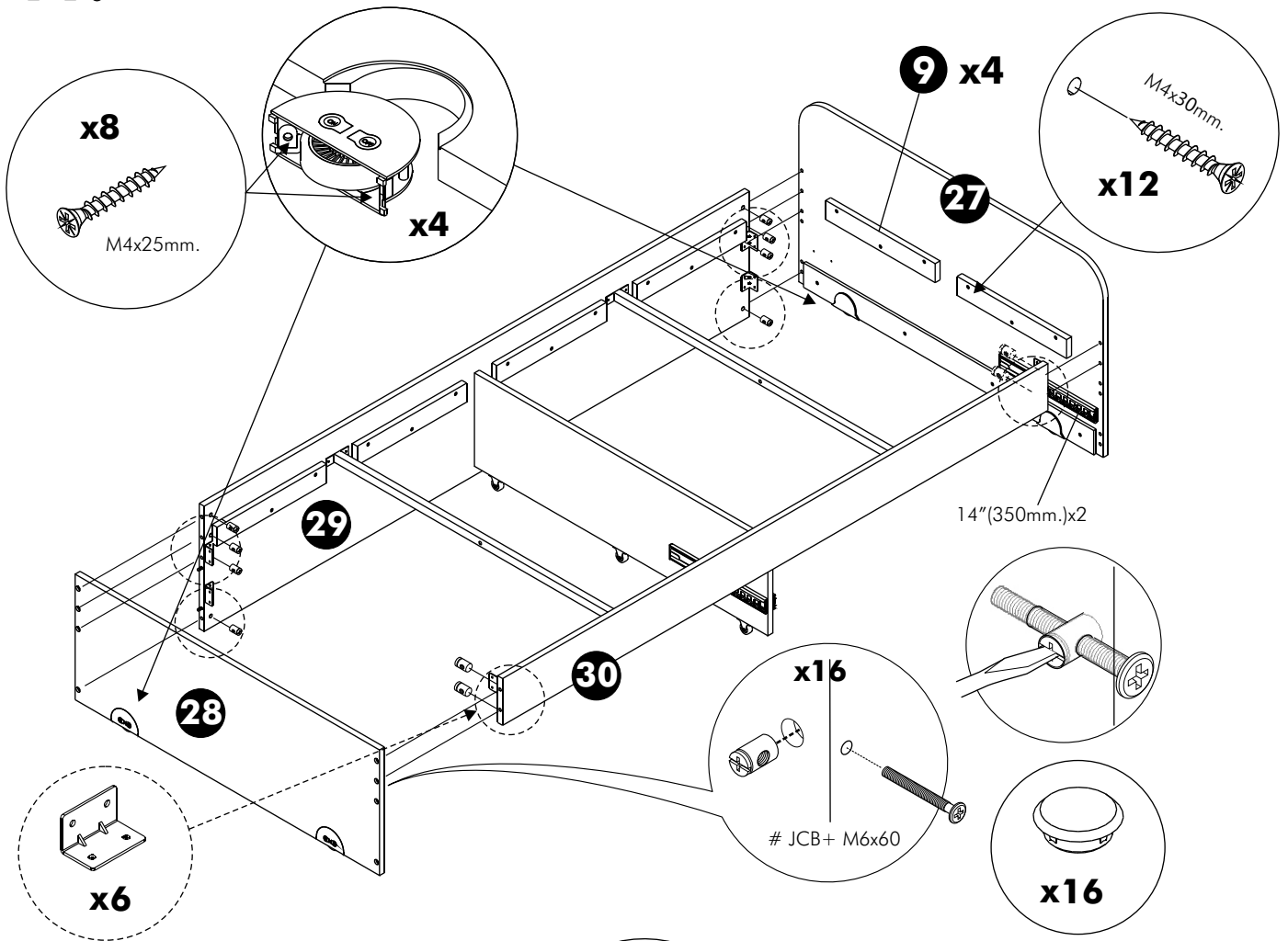
9. TYPE:A/B



10. TYPE:A/B



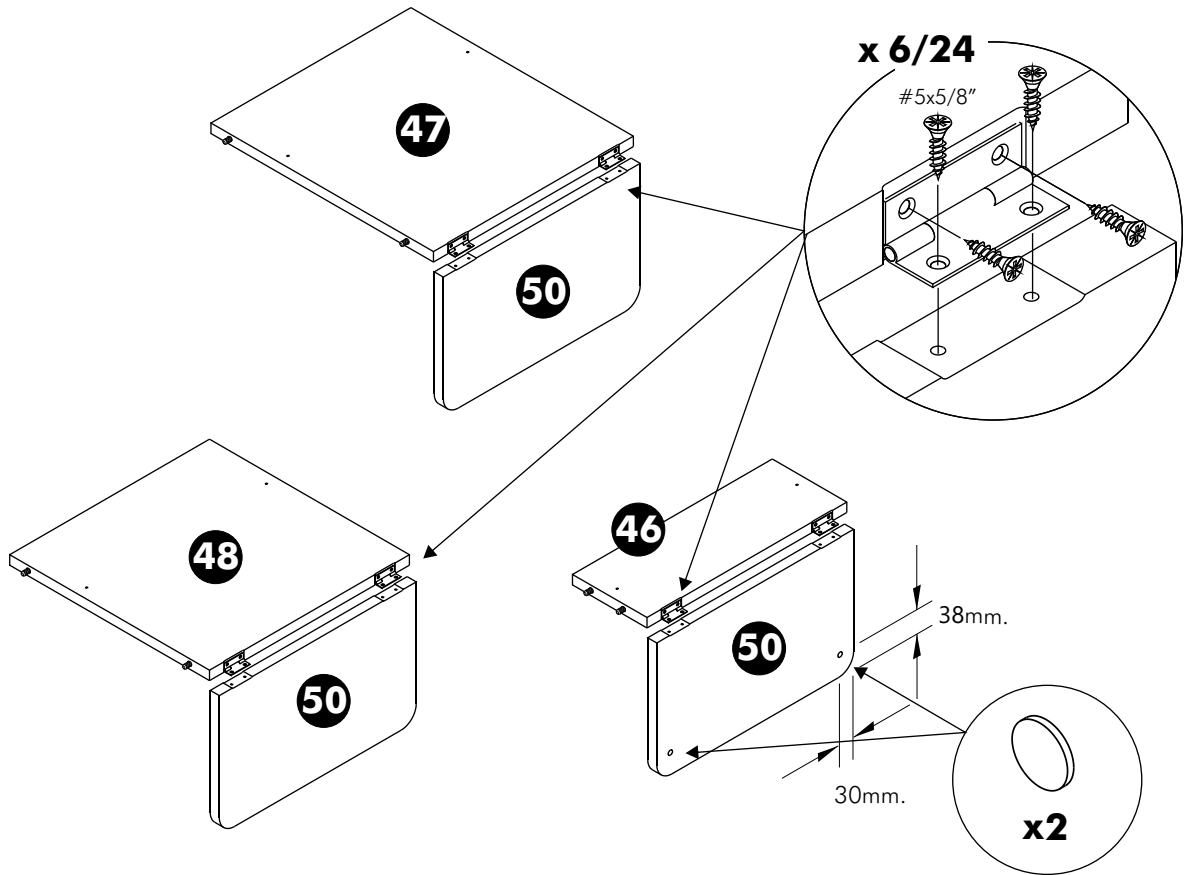
11. TYPE:A



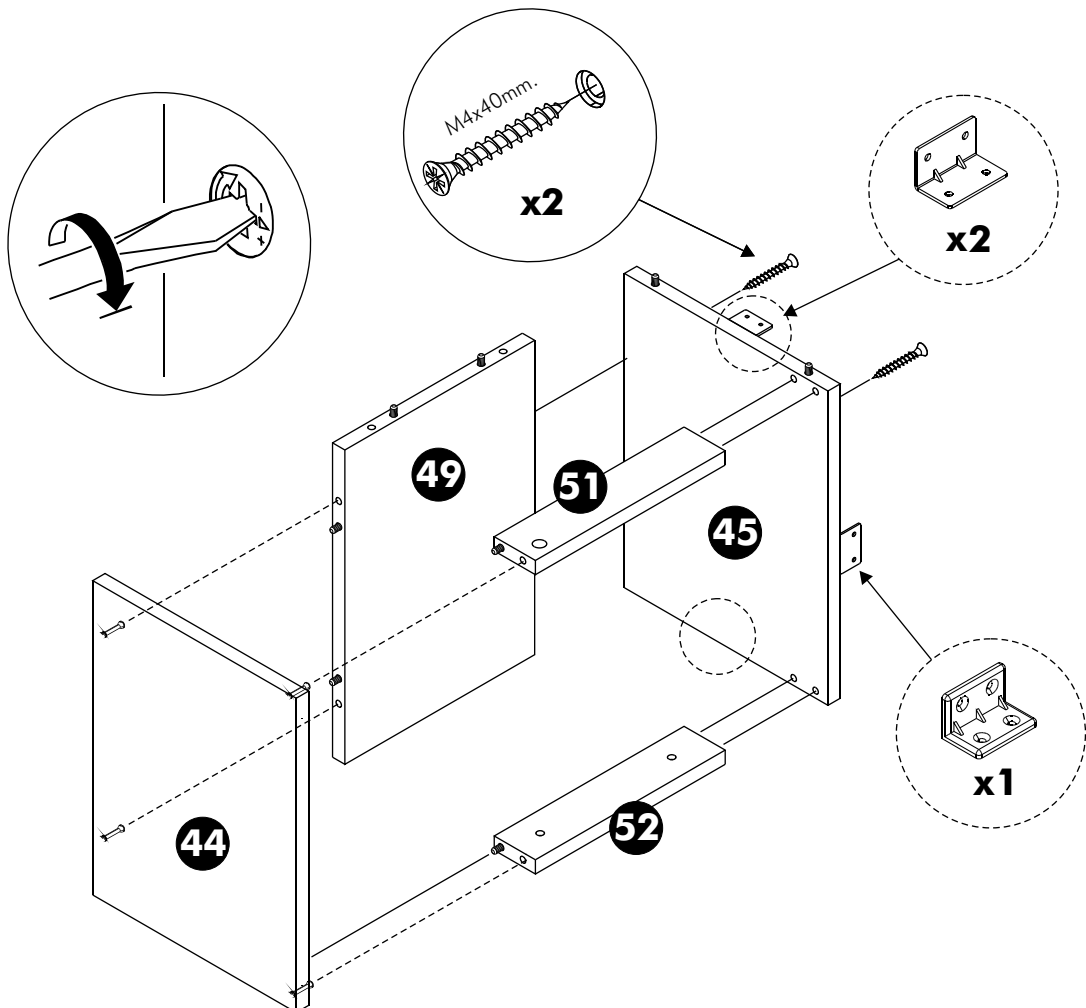
TYPE:B

12. TYPE:A

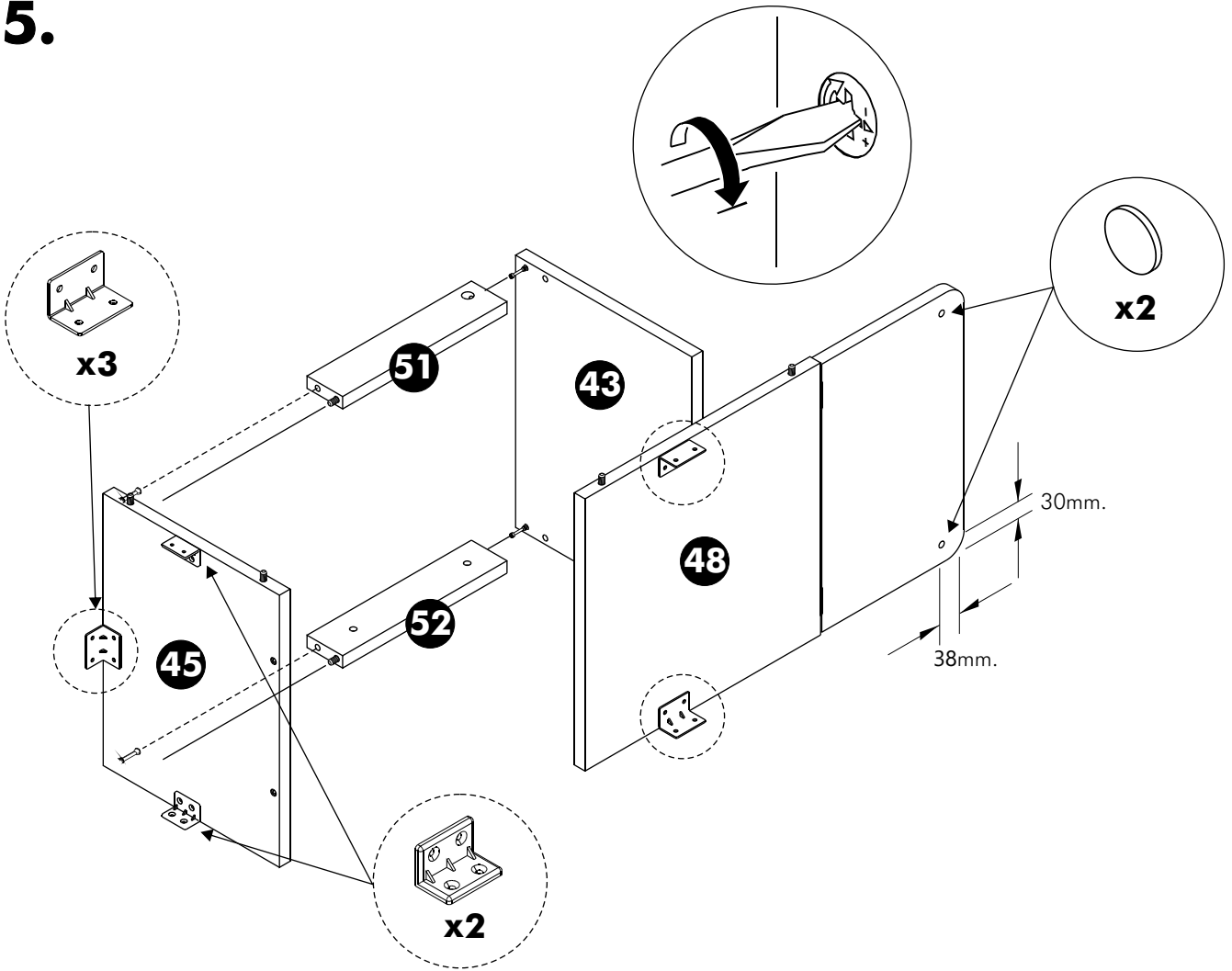
13.



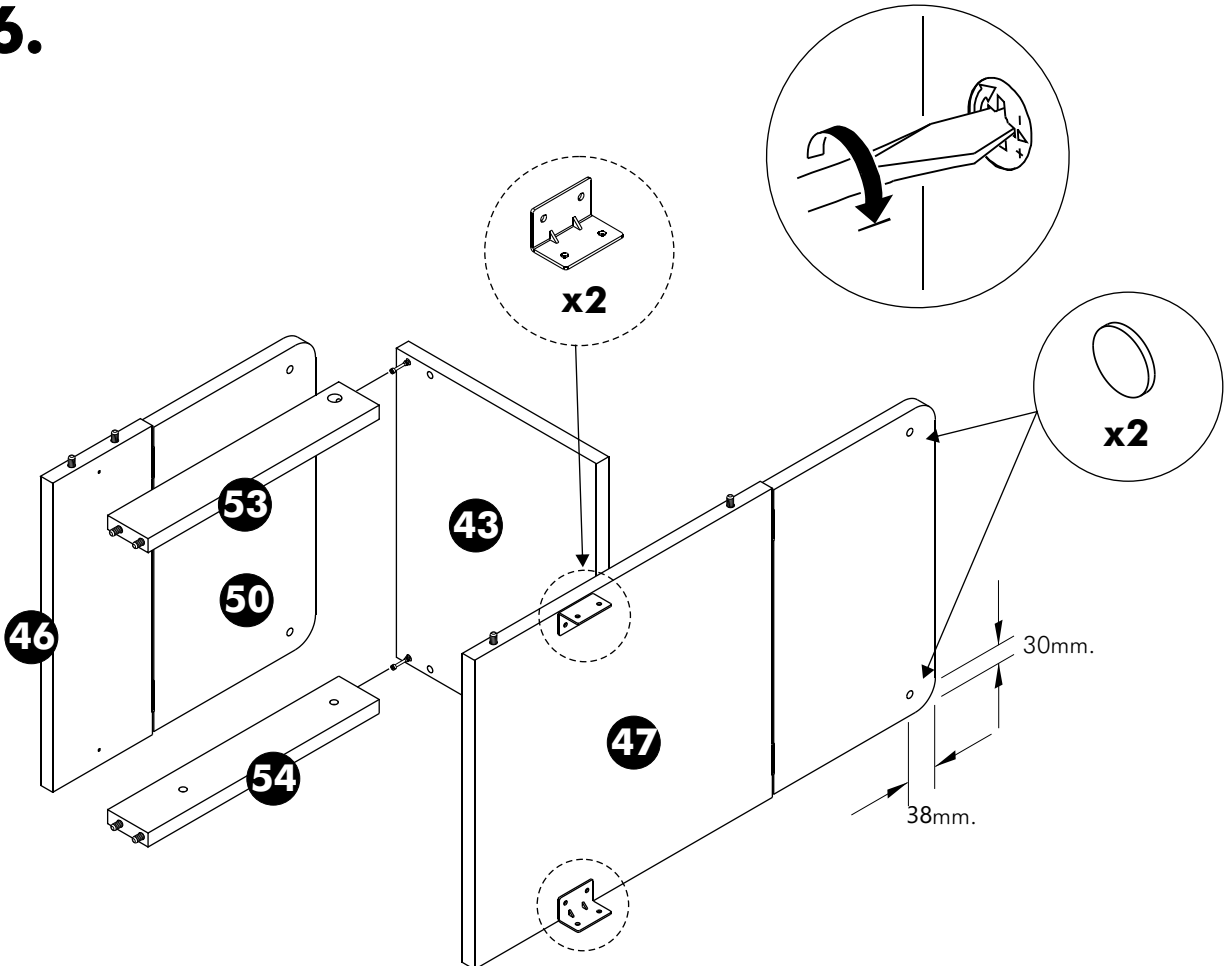
14.



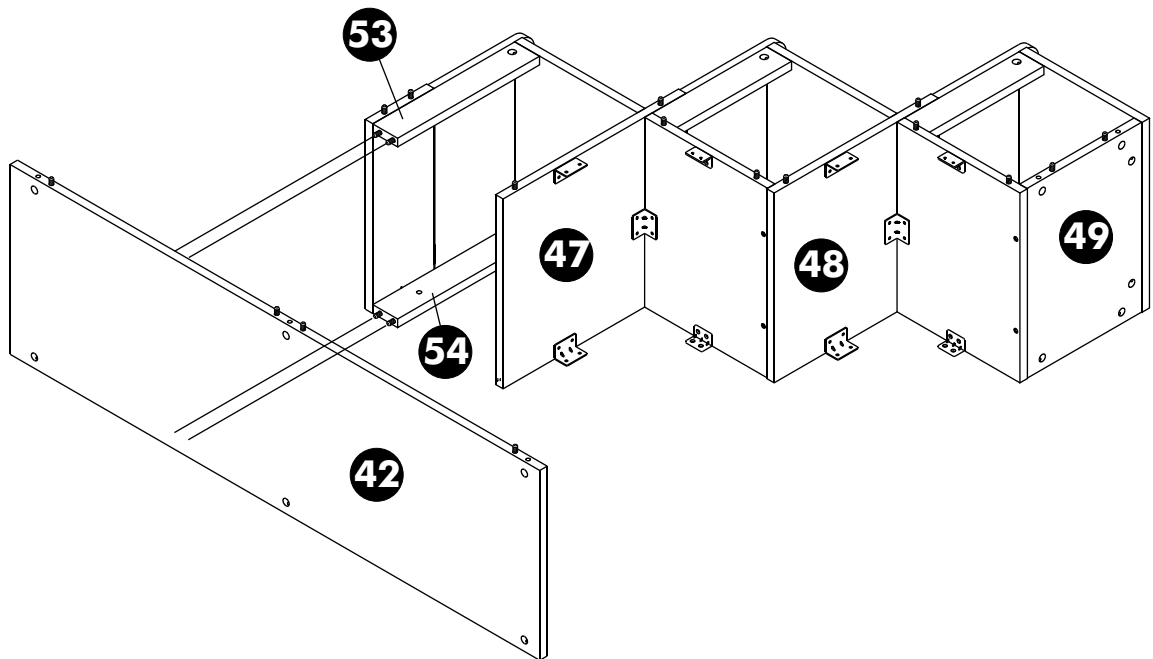
15.



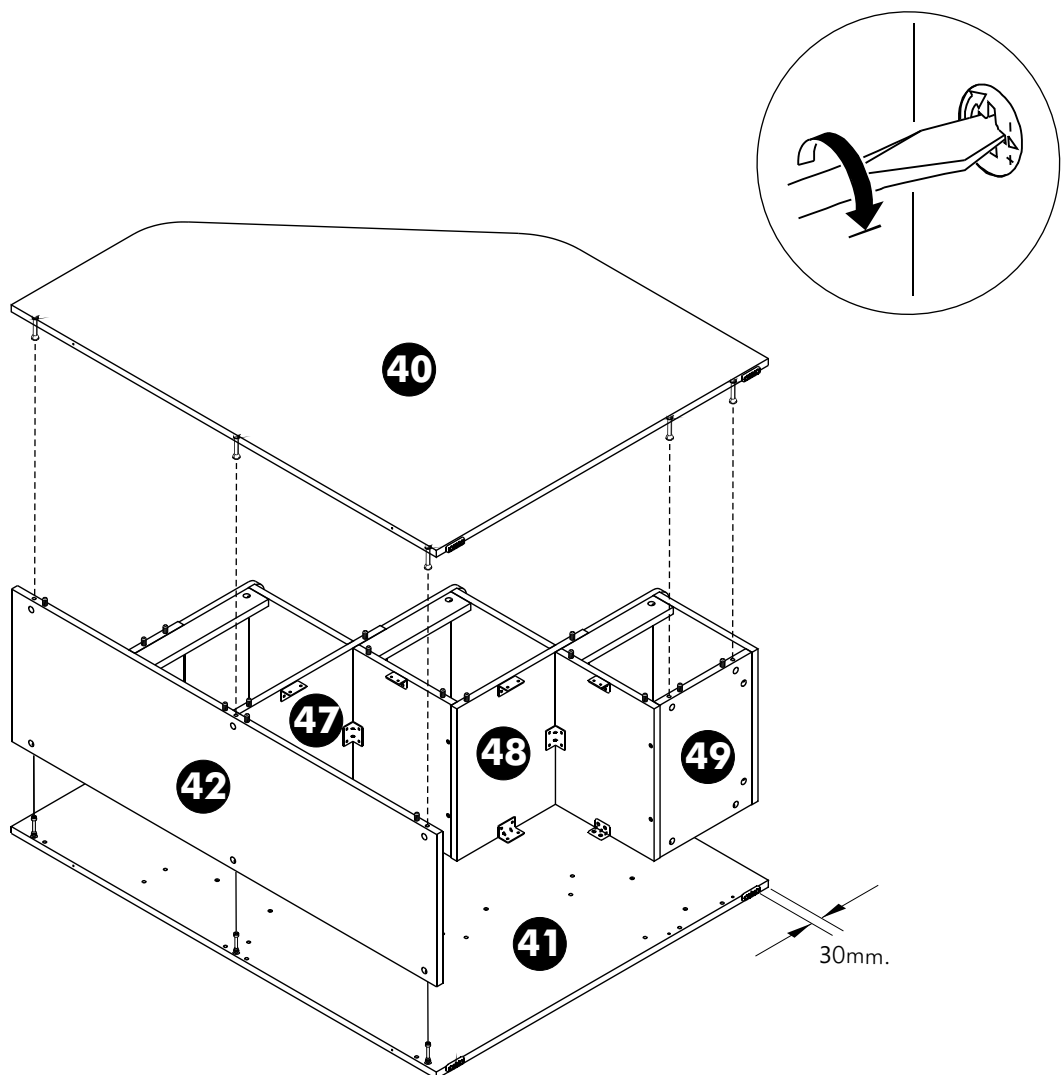
16.



17.

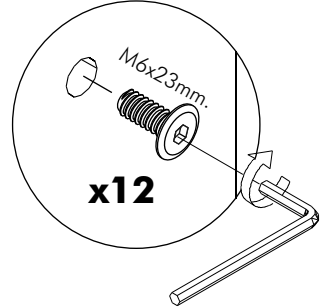
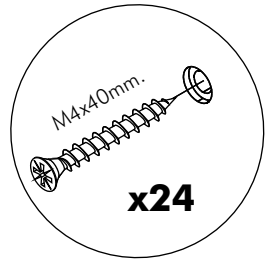
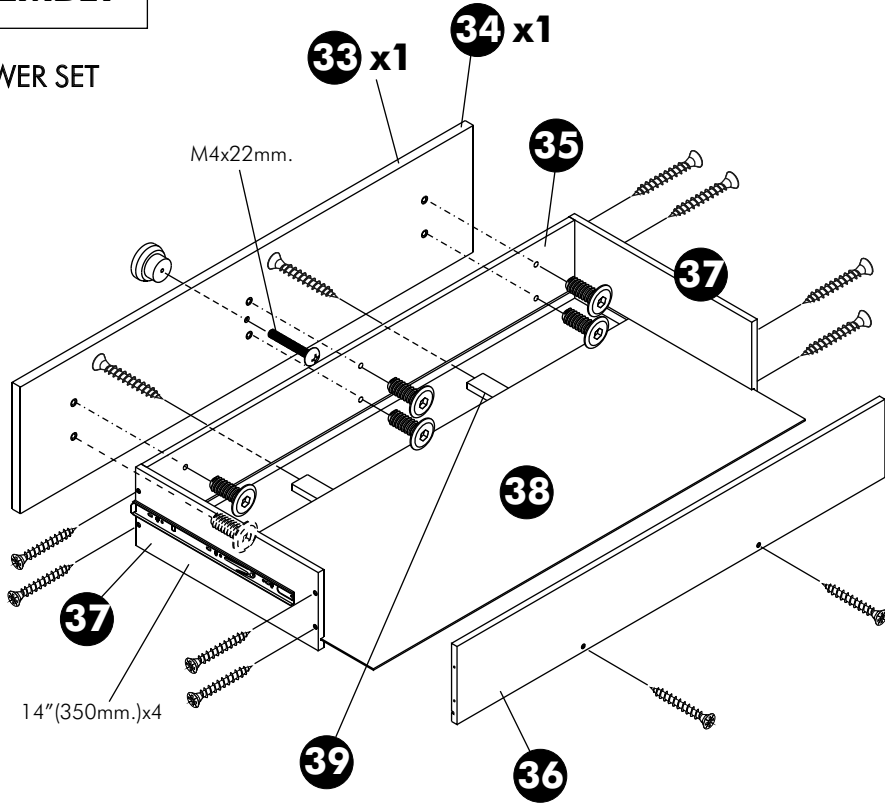


18.



ASSEMBLY

-DRAWER SET



x2

