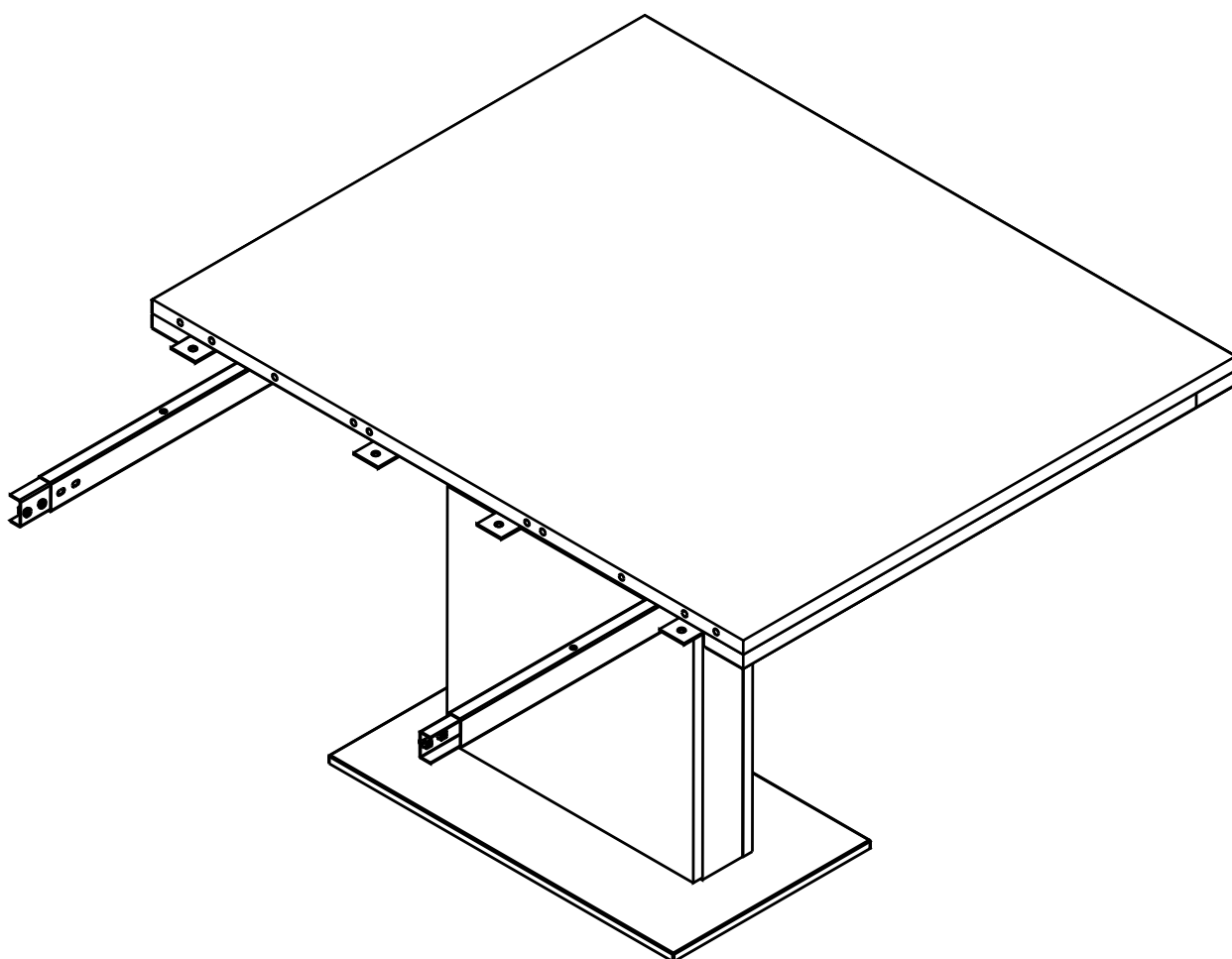
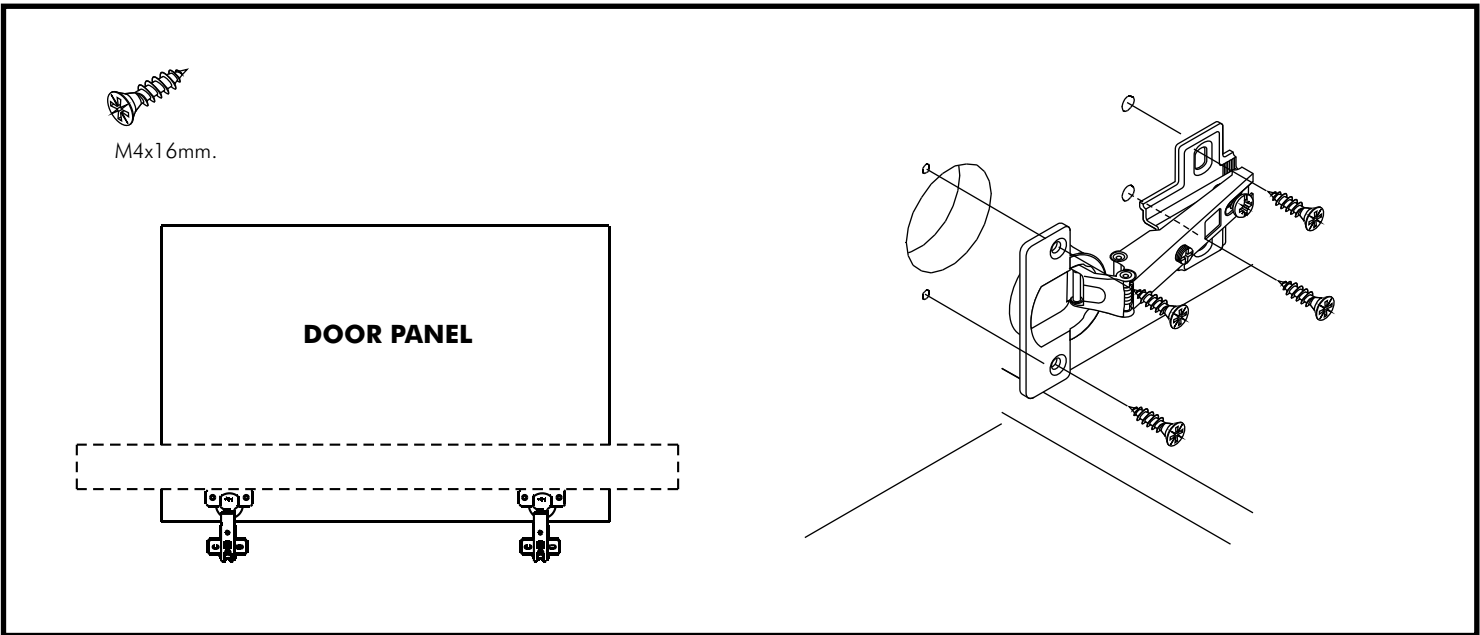
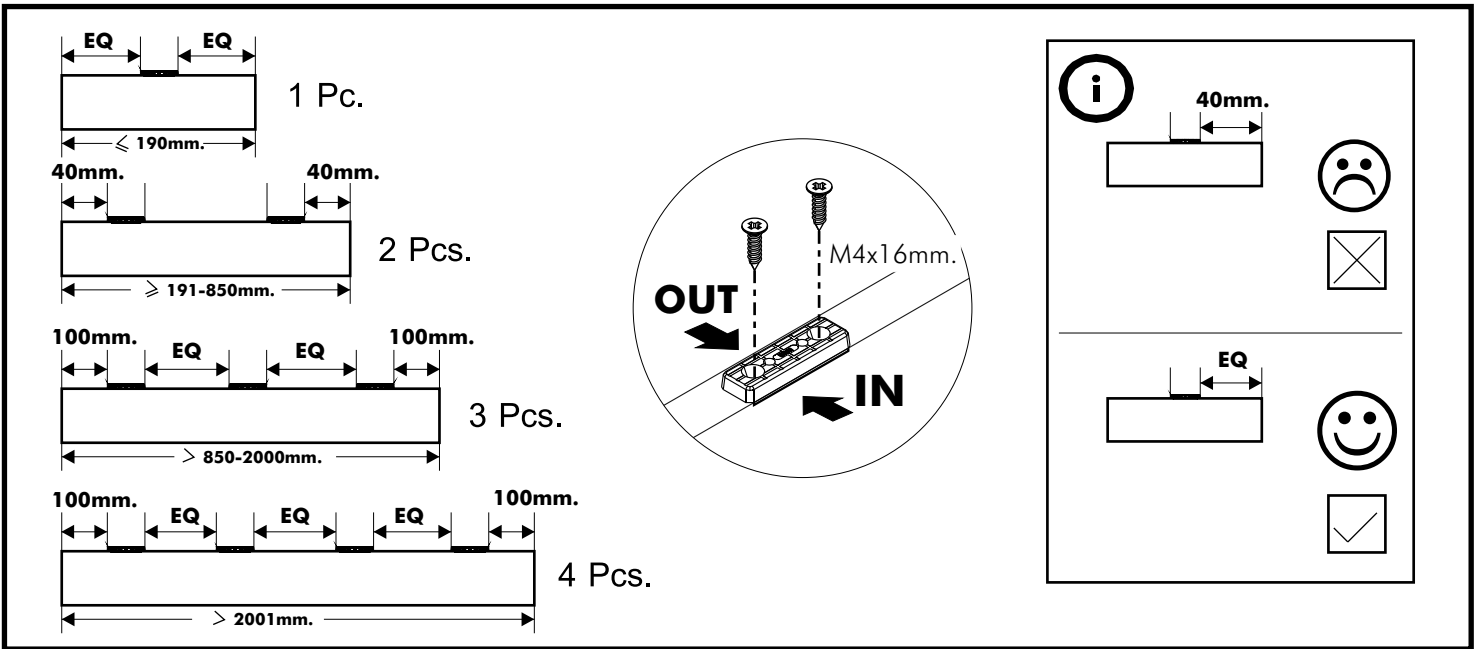


# GRANDE

## Conference Table

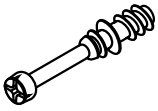


# CONNECT SYSTEM



# HARDWARE

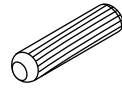
## -BODY SET



**X 10**

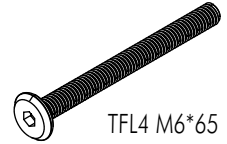


**X 10**



8x35mm.

**X 8**

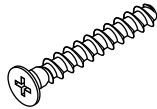


TFL4 M6\*65

**X 10**



**X 4**



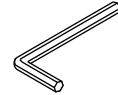
M5.5x50 mm.

**X 5**



M4x16

**X 8**

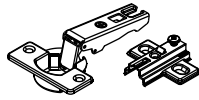


**X 1**



M6x40

**X 5**



**X 2**



**X 27**

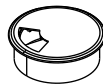


F+B M5\*12 mm.

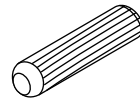
**X 4**



**X 4**



**X 1**



10x50mm.

**X 6**

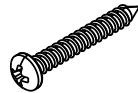


M6x15

**X 20**



**X 4**

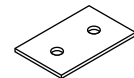


M4x30

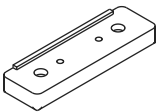
**X 4**



**X 2**



**X 4**



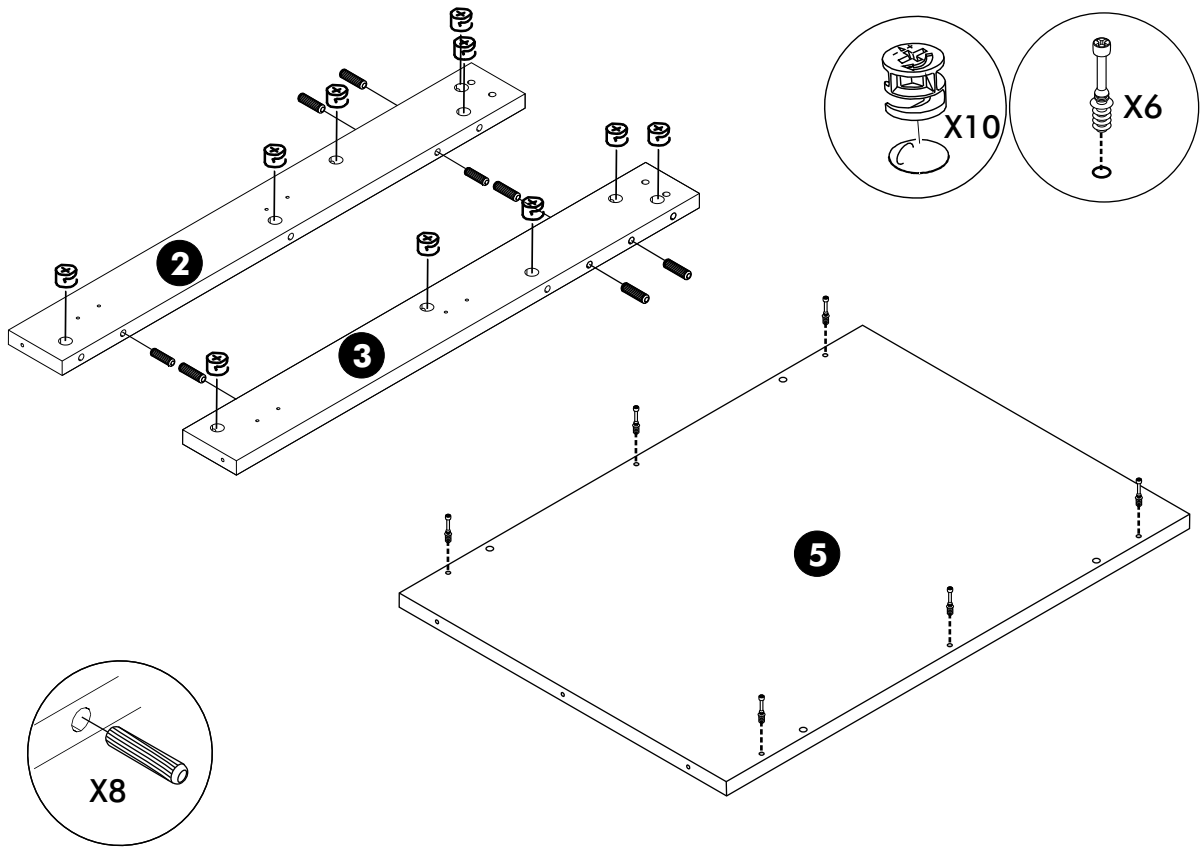
**X 6**



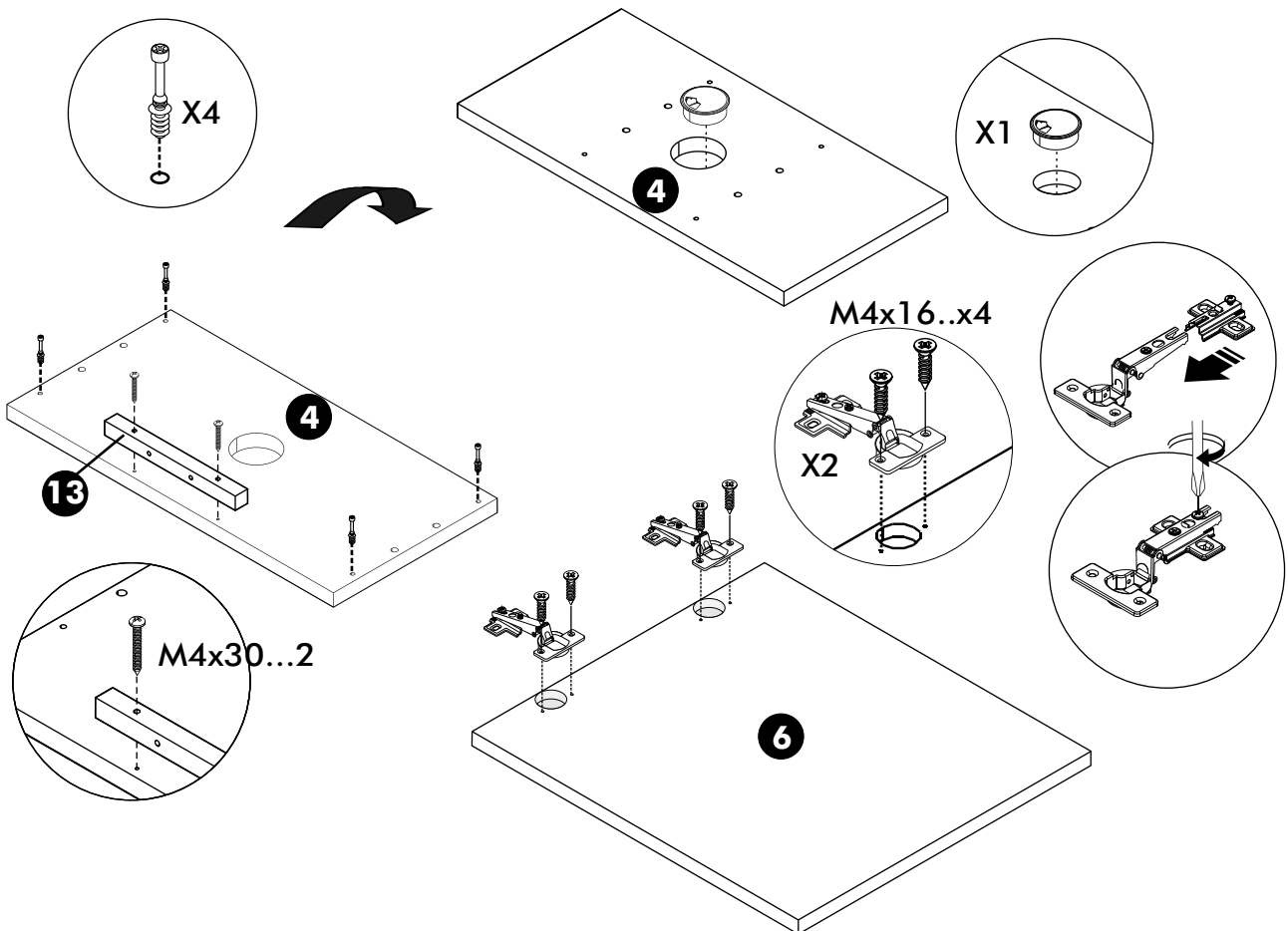
M4x16mm.

**X 12**

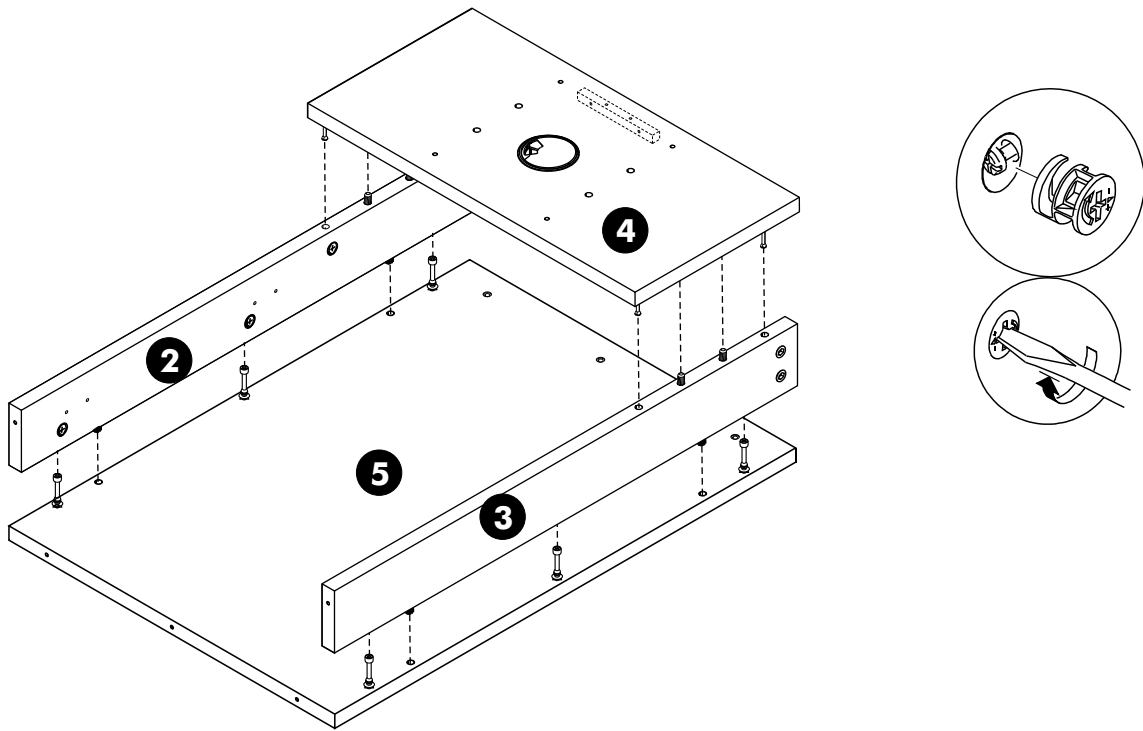
**1.**



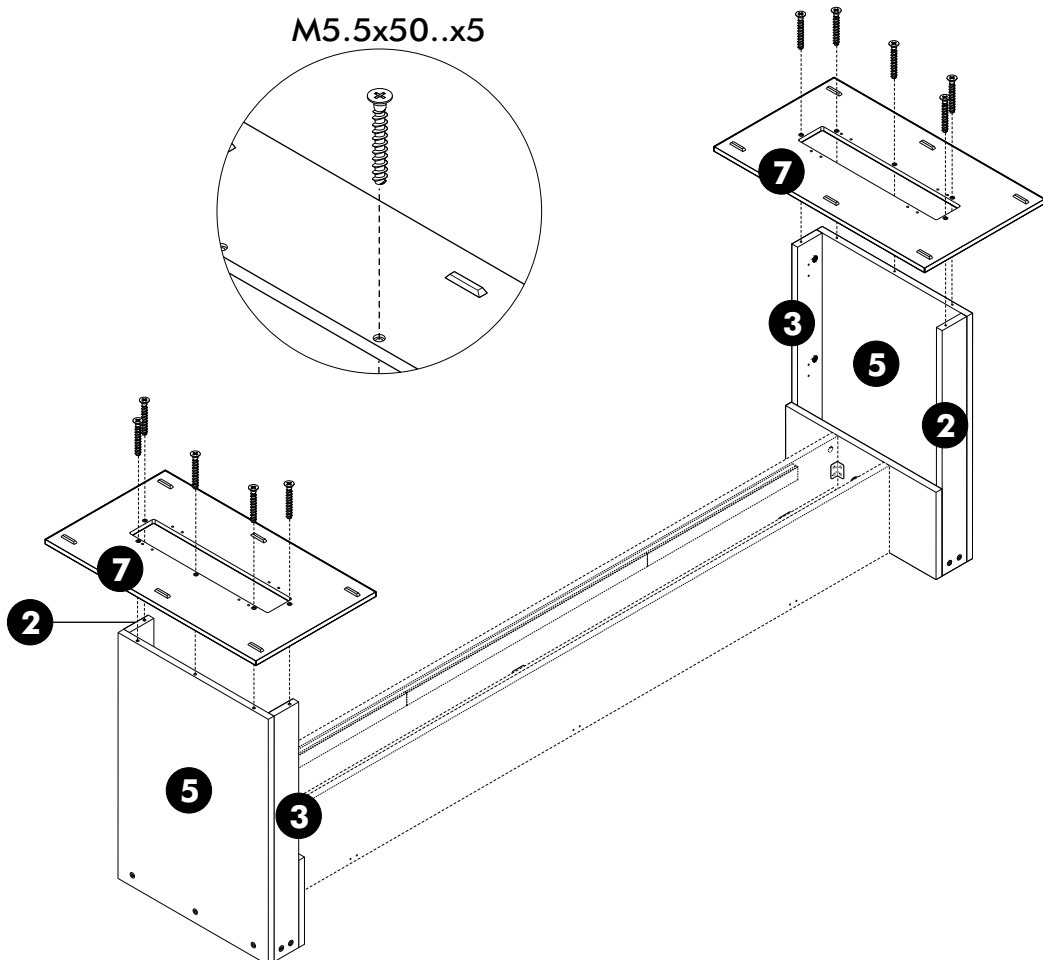
**2.**



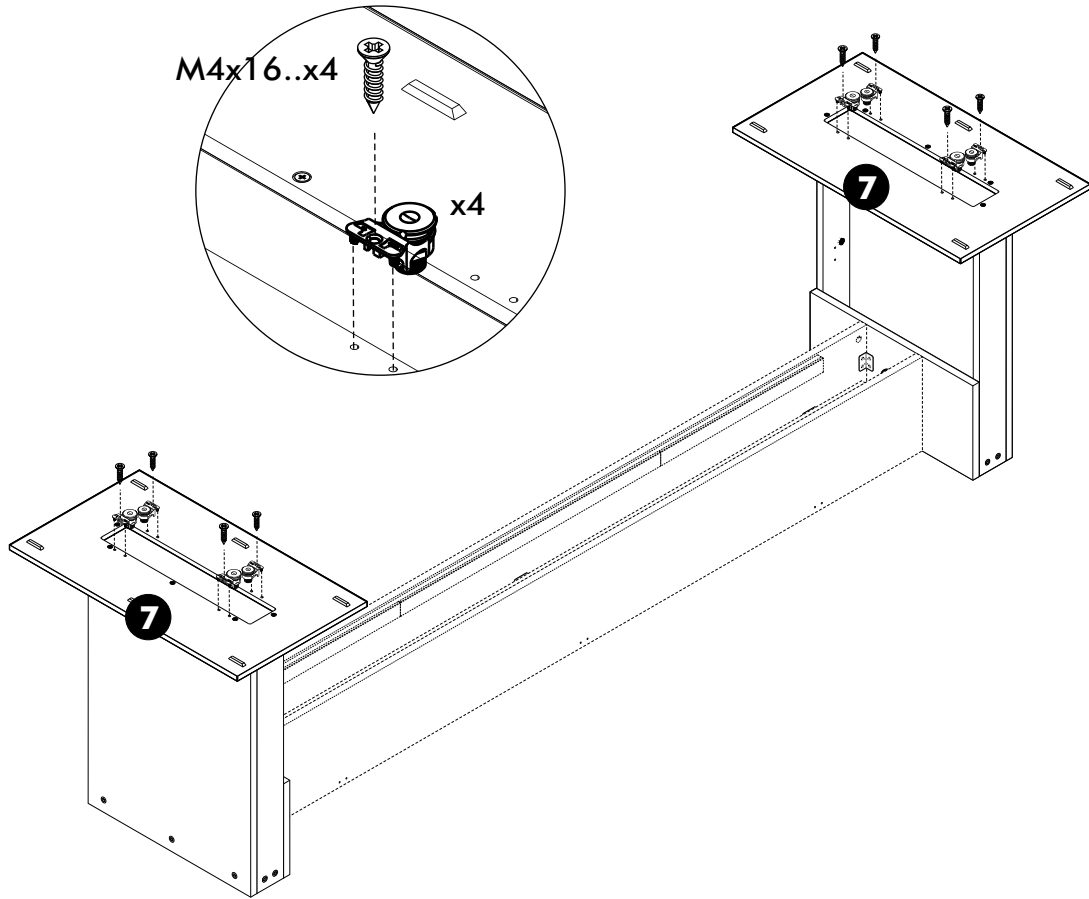
**3.**



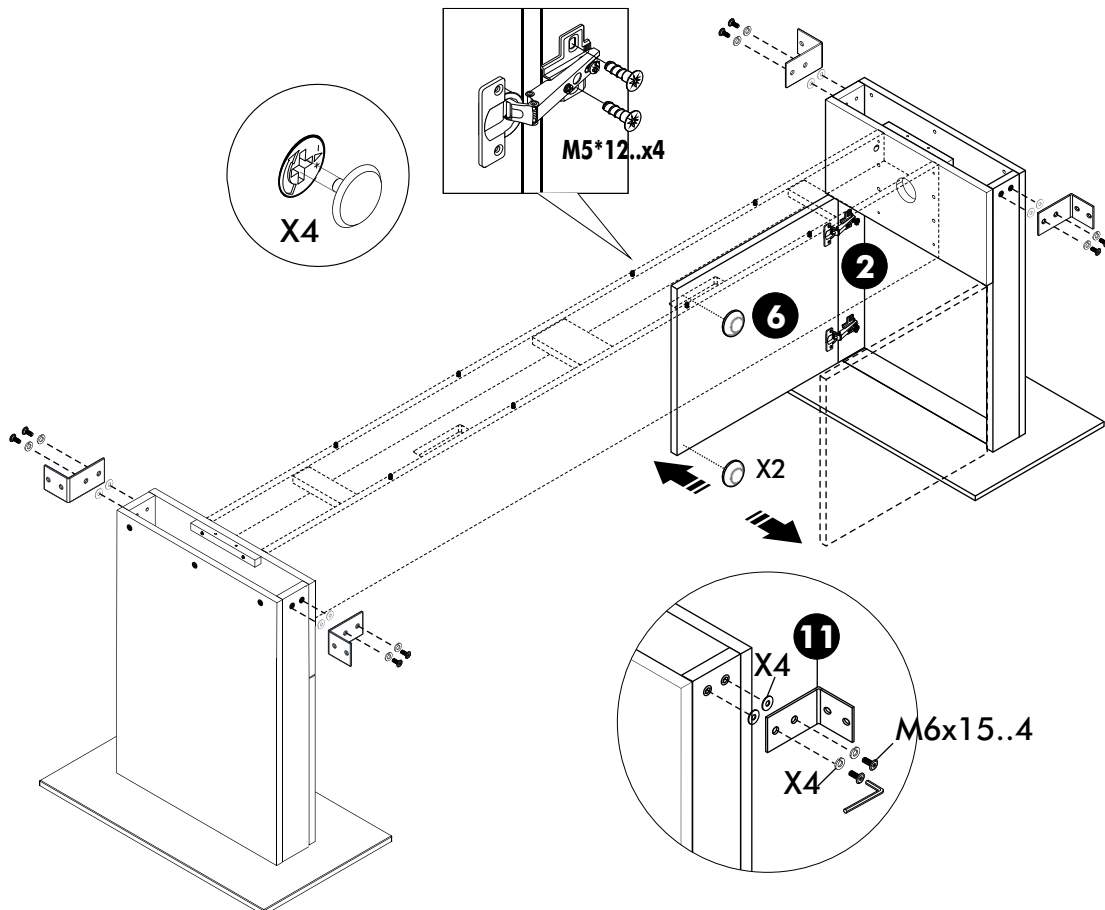
**4.**



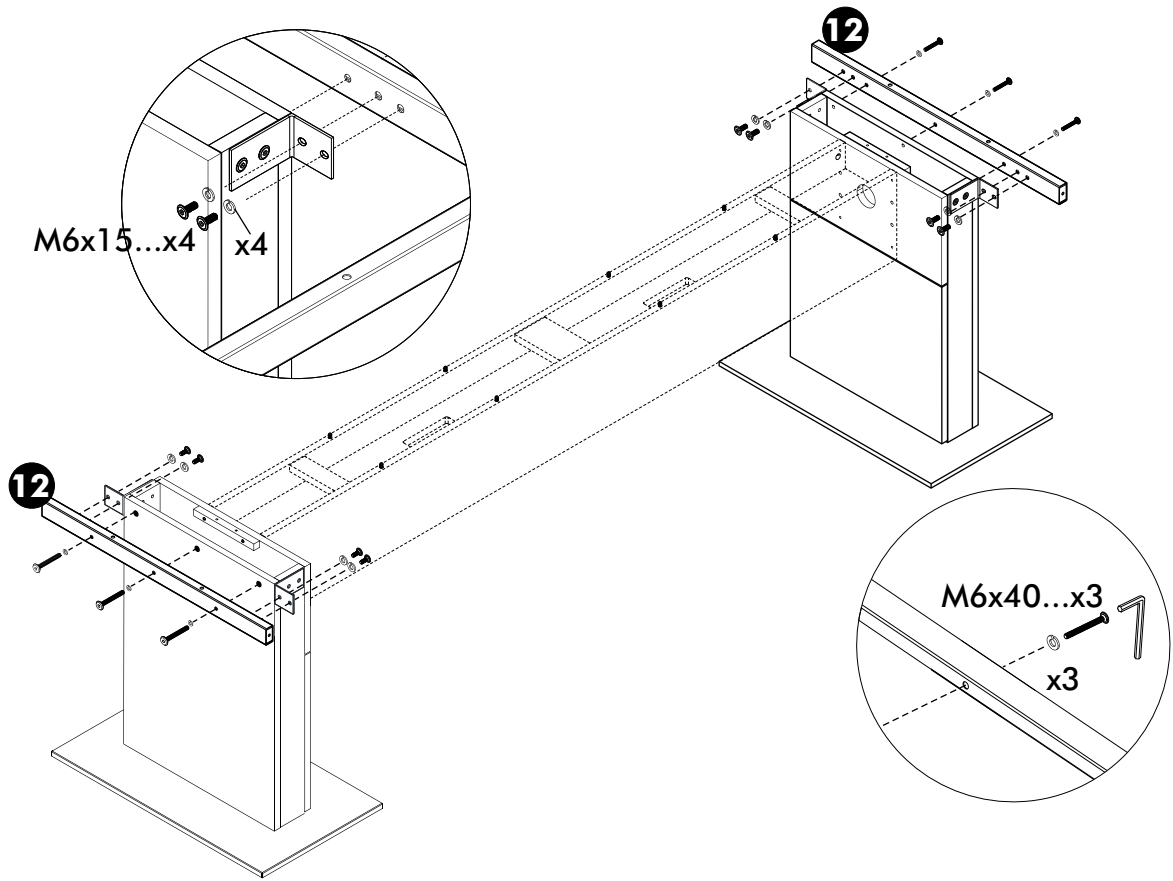
5.



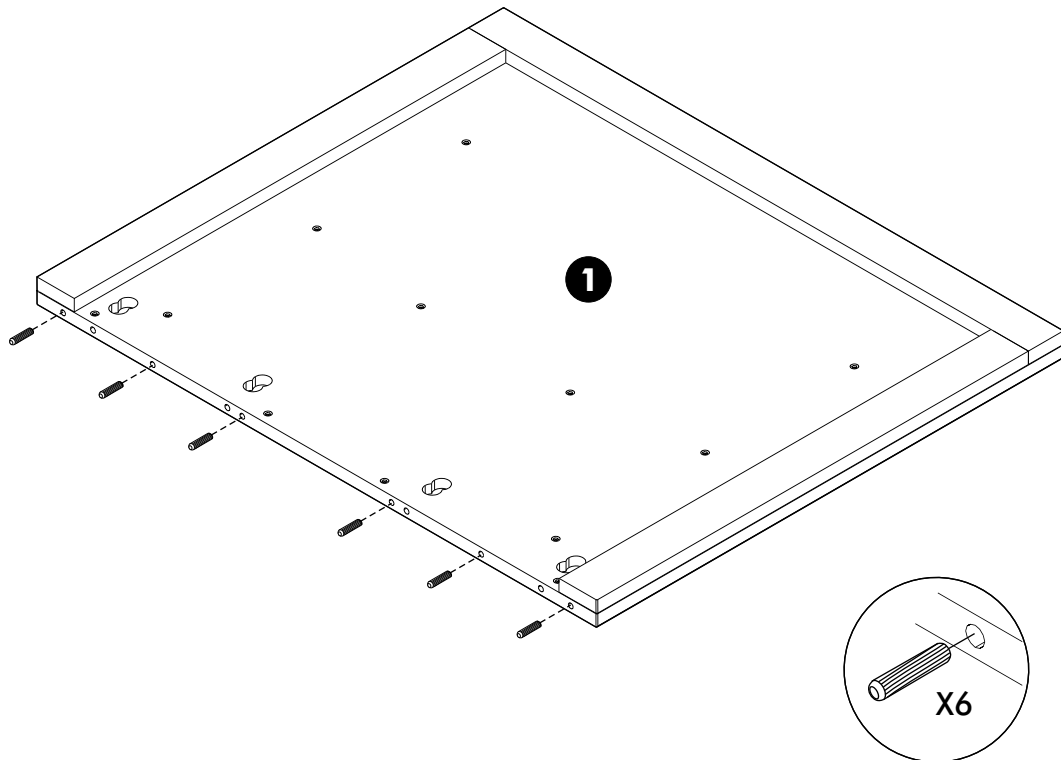
6.



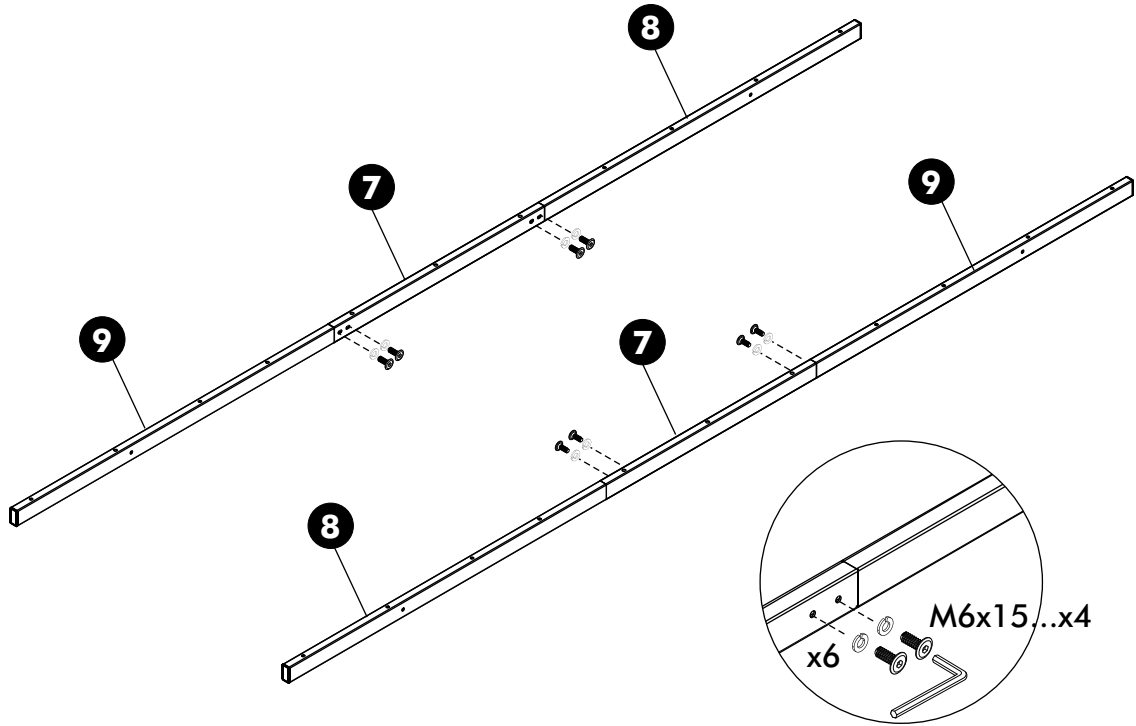
**7.**



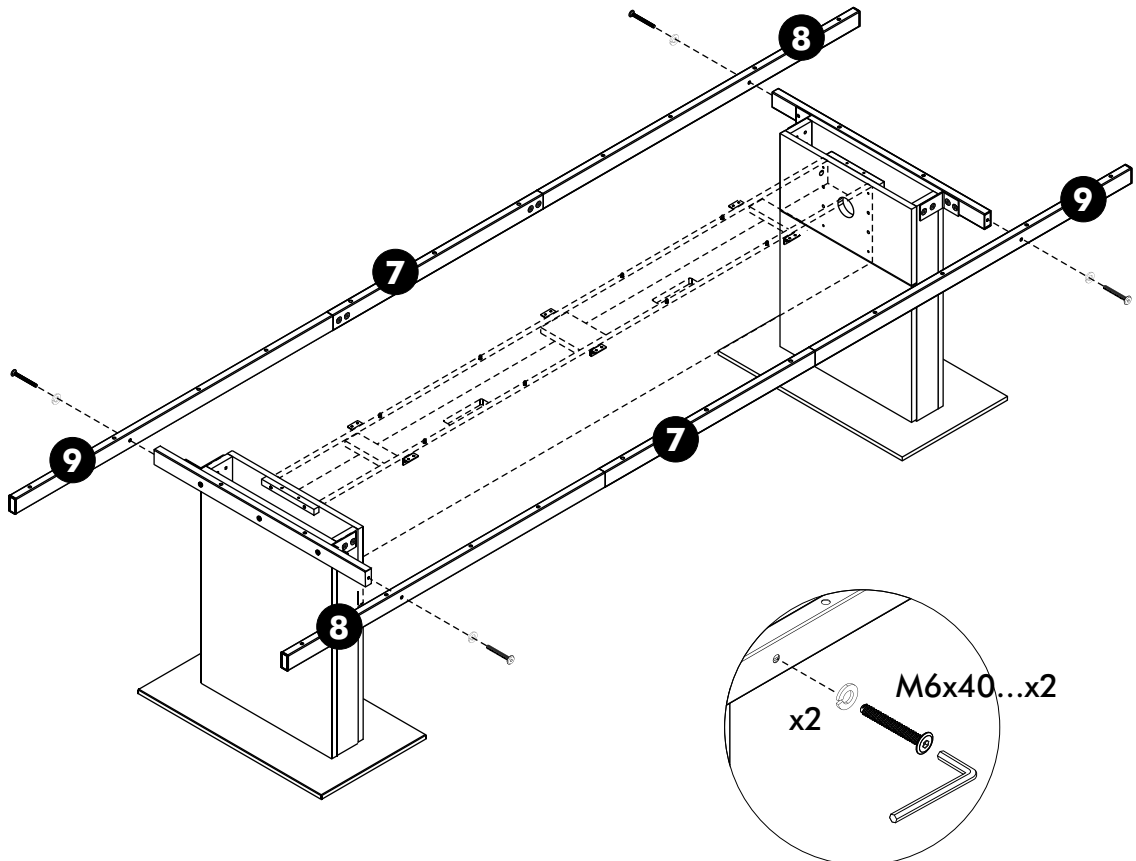
**8.**



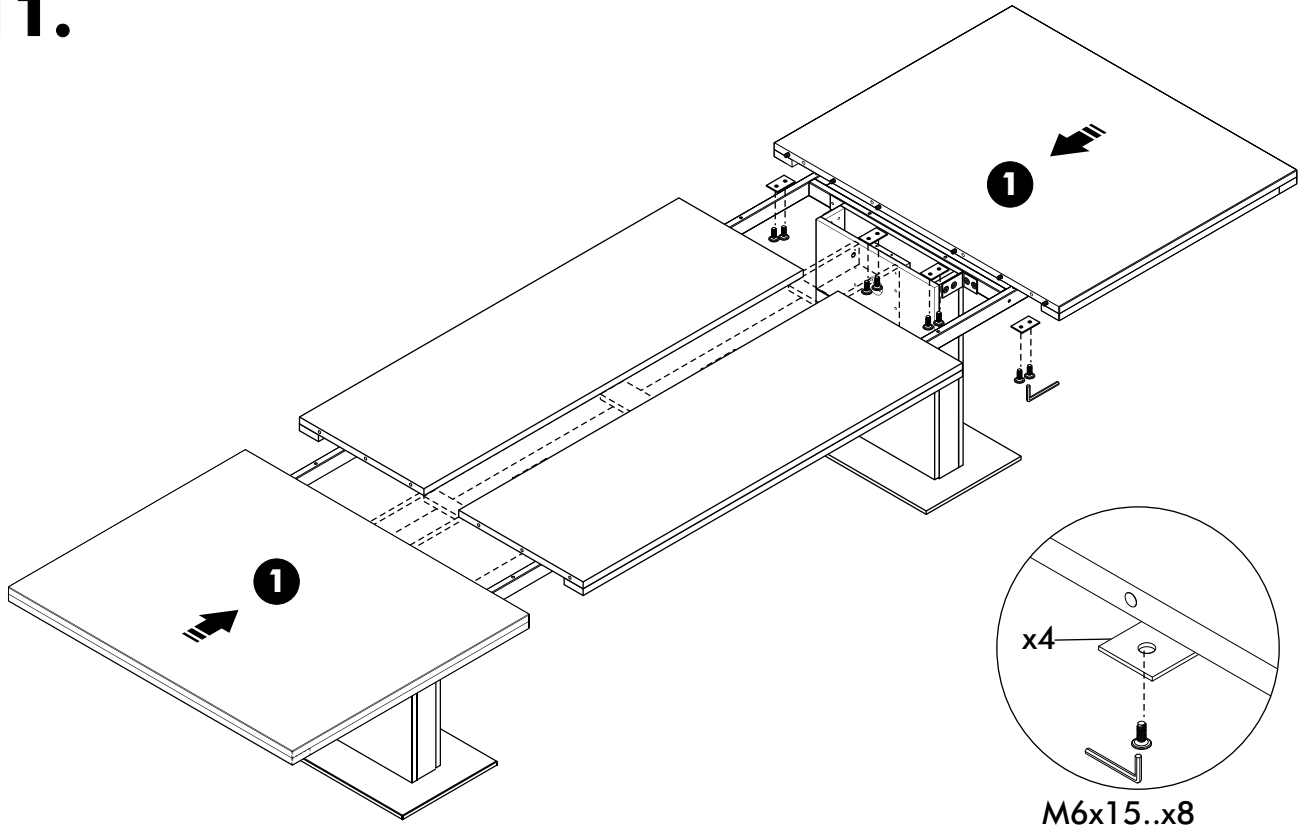
9.



10.



11.



12.

