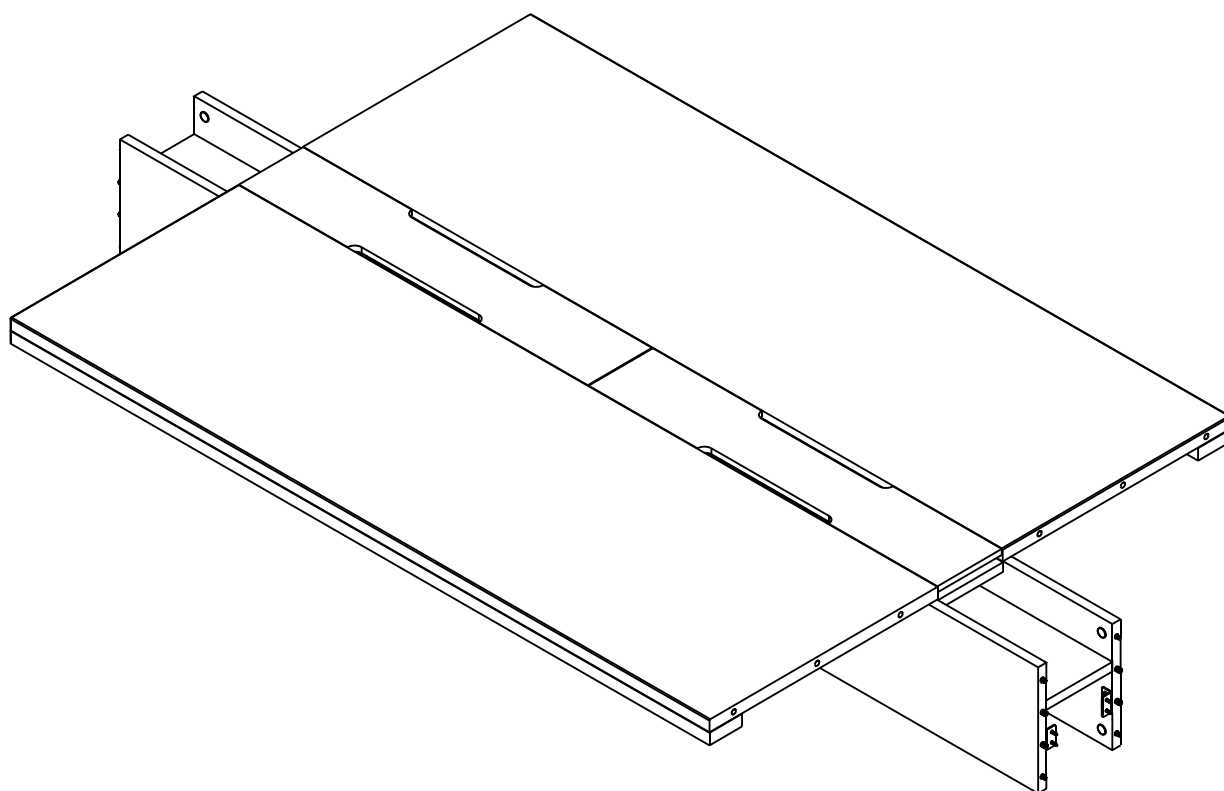


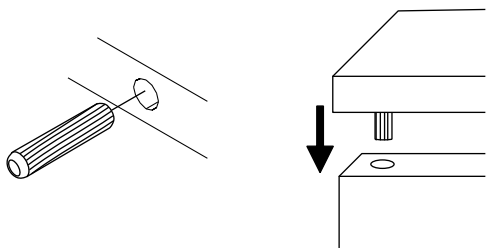
GRANDE

Conference Table

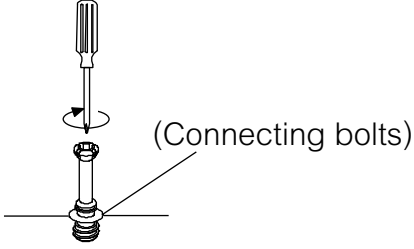


CONNECT SYSTEM

1

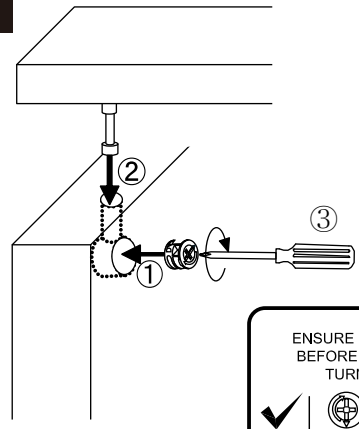


2





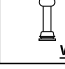



(Connecting bolts)

3

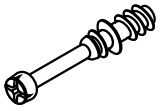


WHEN FITTING CAMS
ENSURE STARTING POSITION IS CORRECT
BEFORE YOU INSERT CONNECTING BOLT
TURN CLOCKWISE UNTIL SECURE

✓				✗
				
	CORRECT	WRONG		

HARDWARE

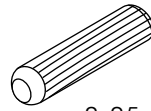
-BODY SET



X 8

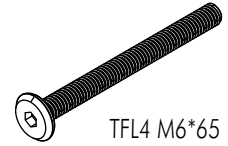


X 8



8x35mm.

X 40



TFL4 M6*65

X 6



X 8

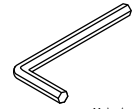


X 8



C/B F+M4*16

X 64



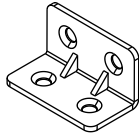
#M4

X 1



#M4x13(P)

X 8



X 16



X 6



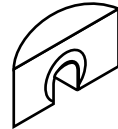
X 8



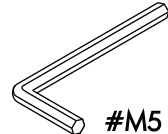
X 8



X 8

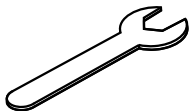


X 16



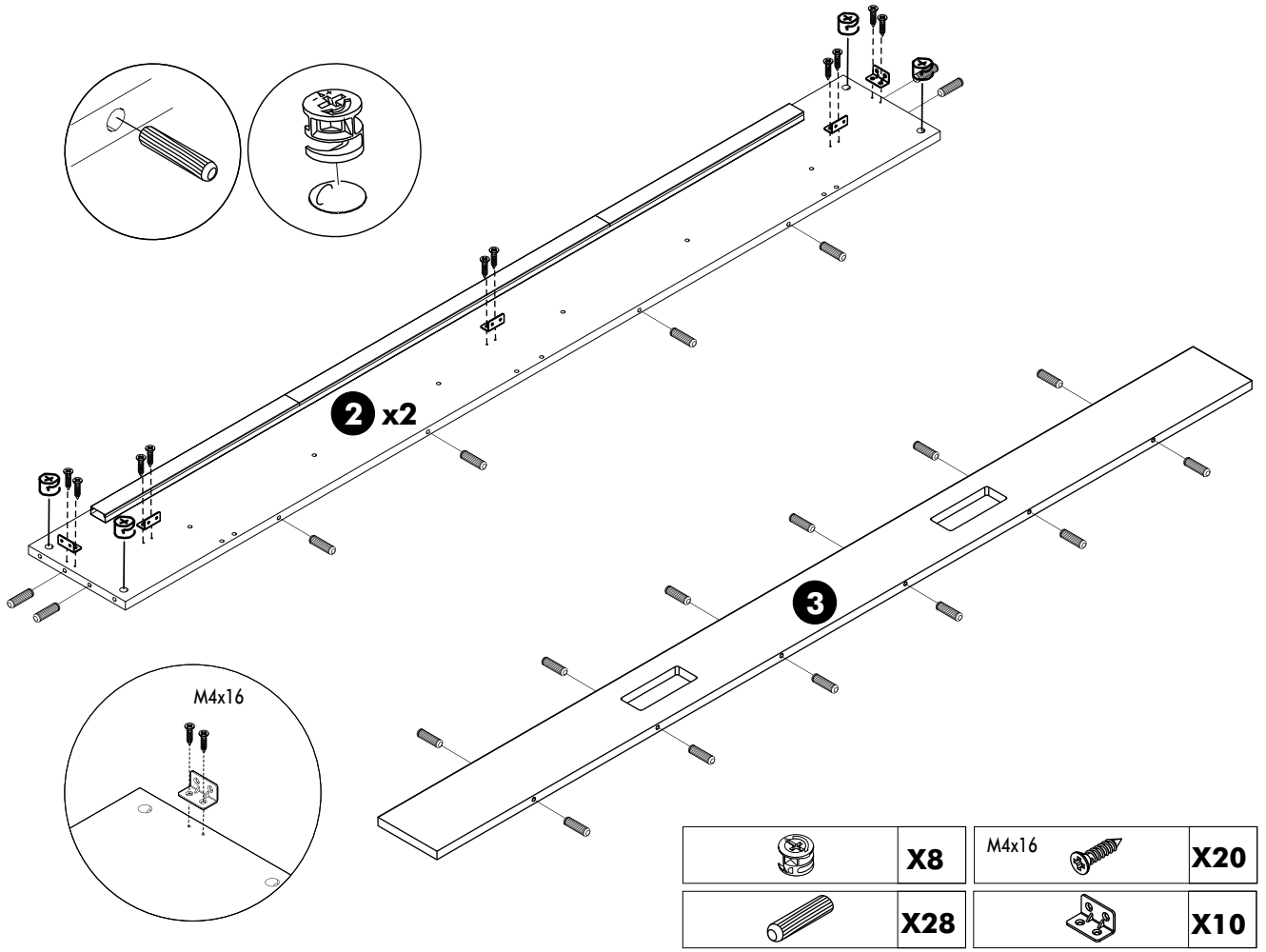
#M5

X 1

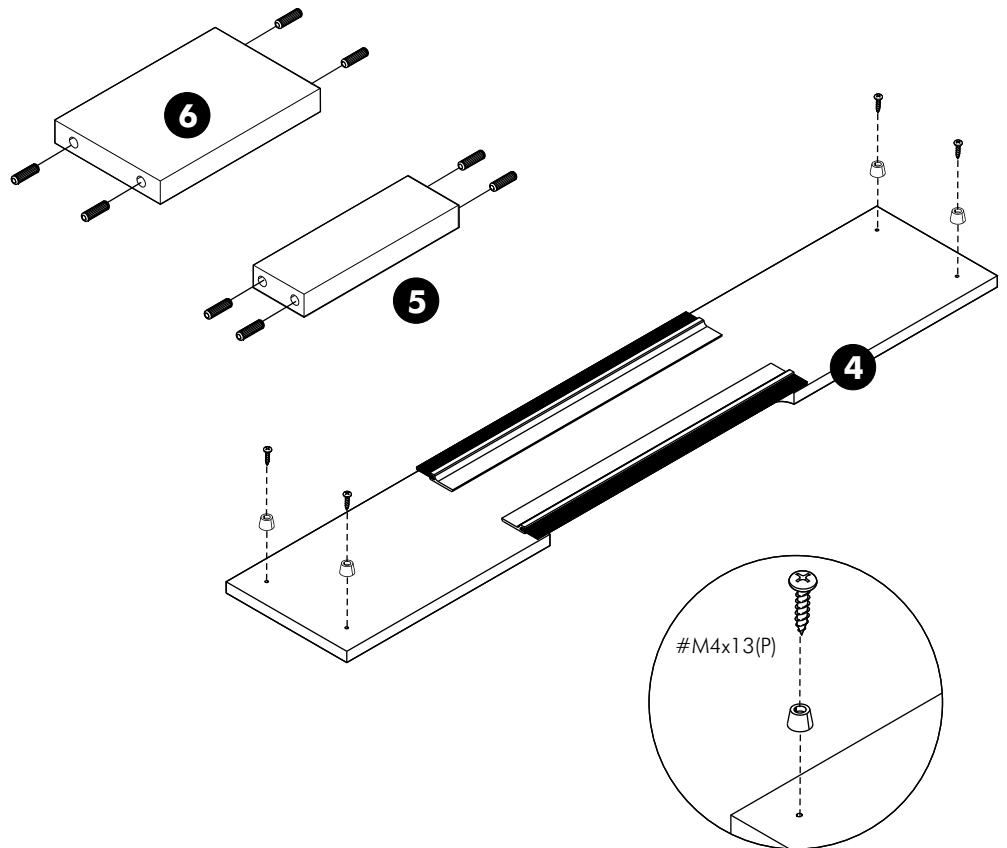


X 1

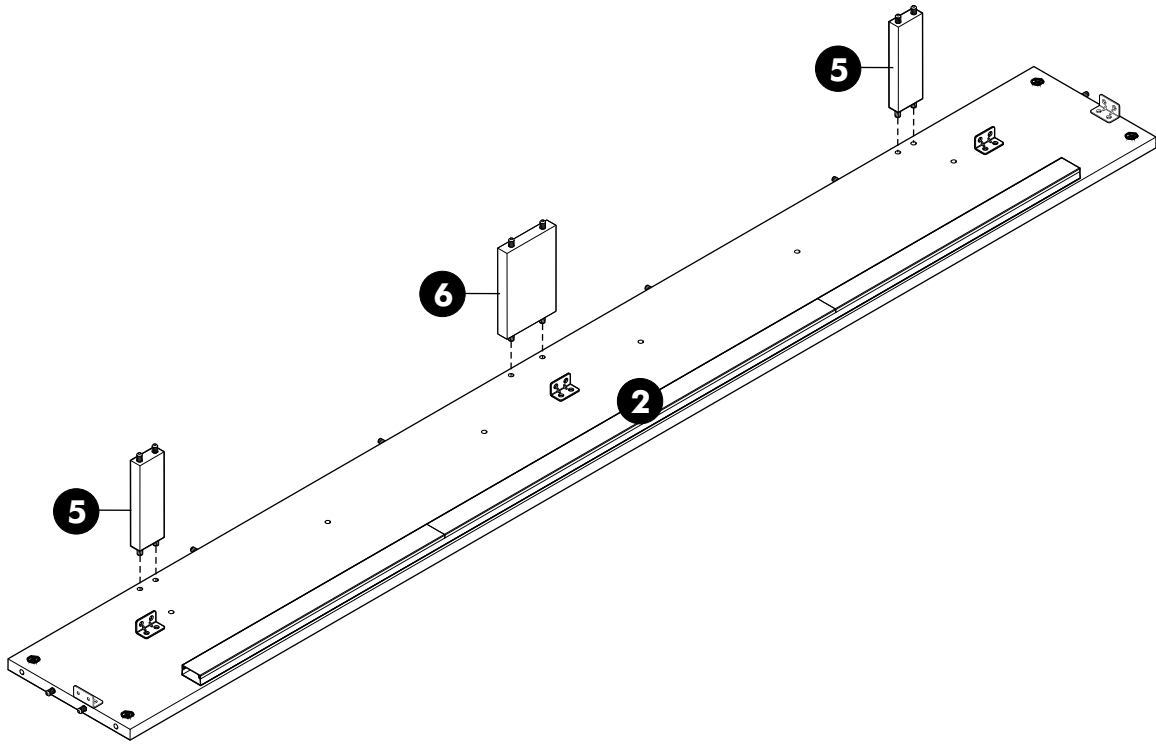
1.



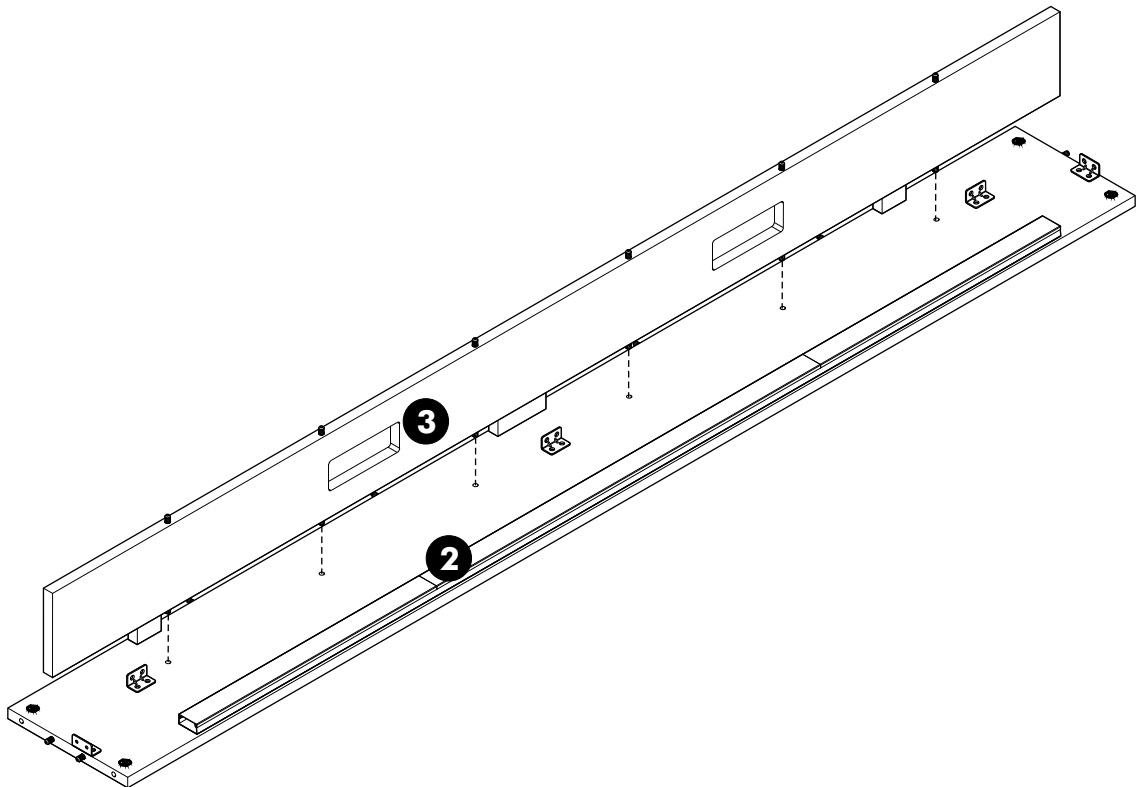
2.



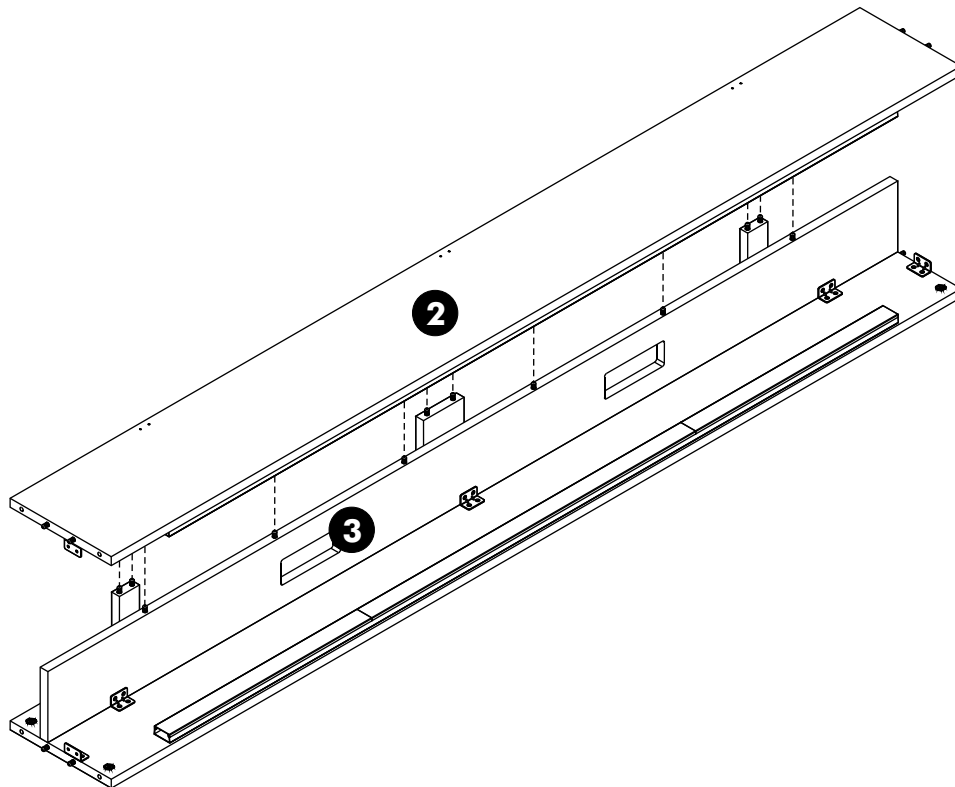
3.



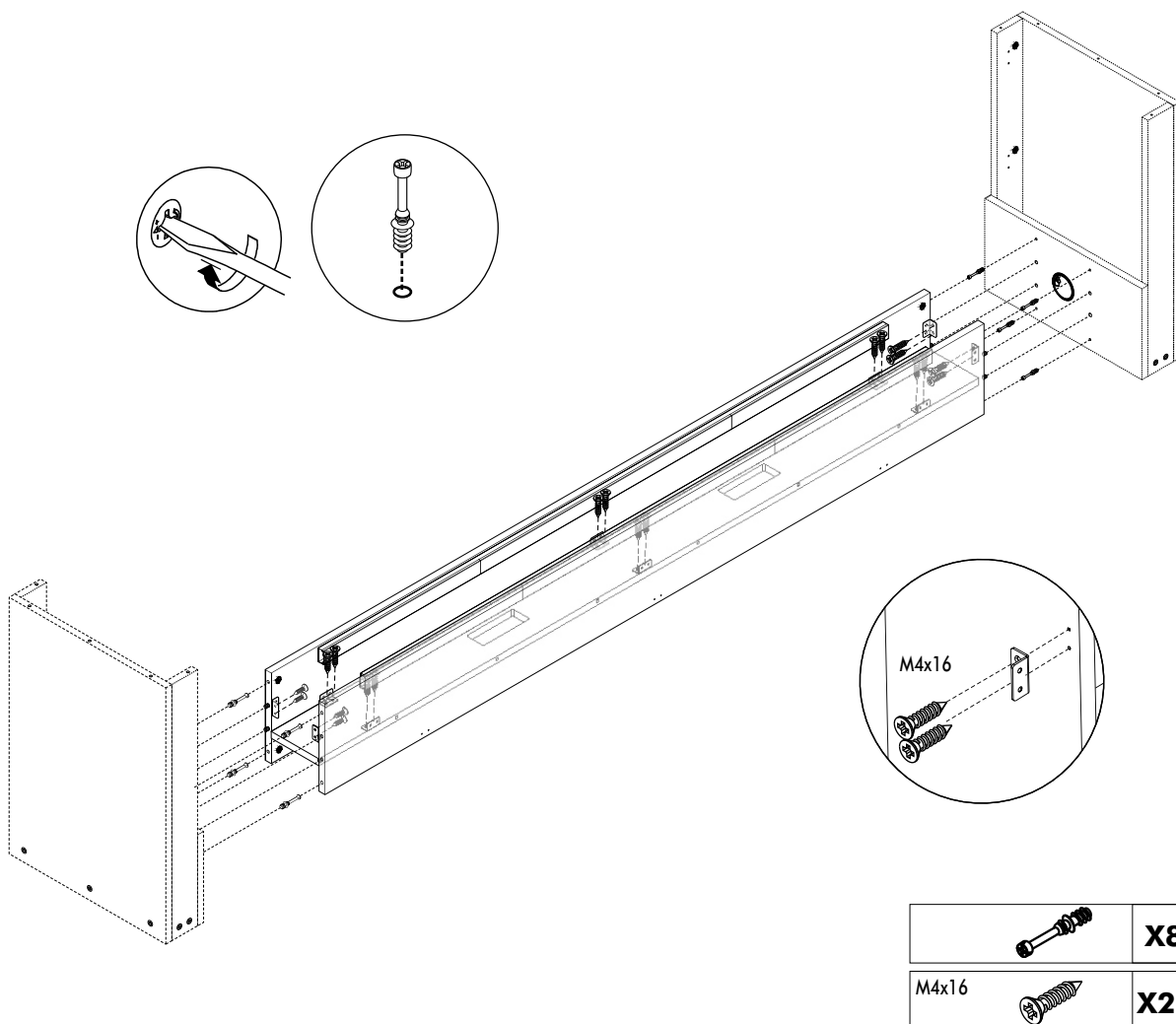
4.



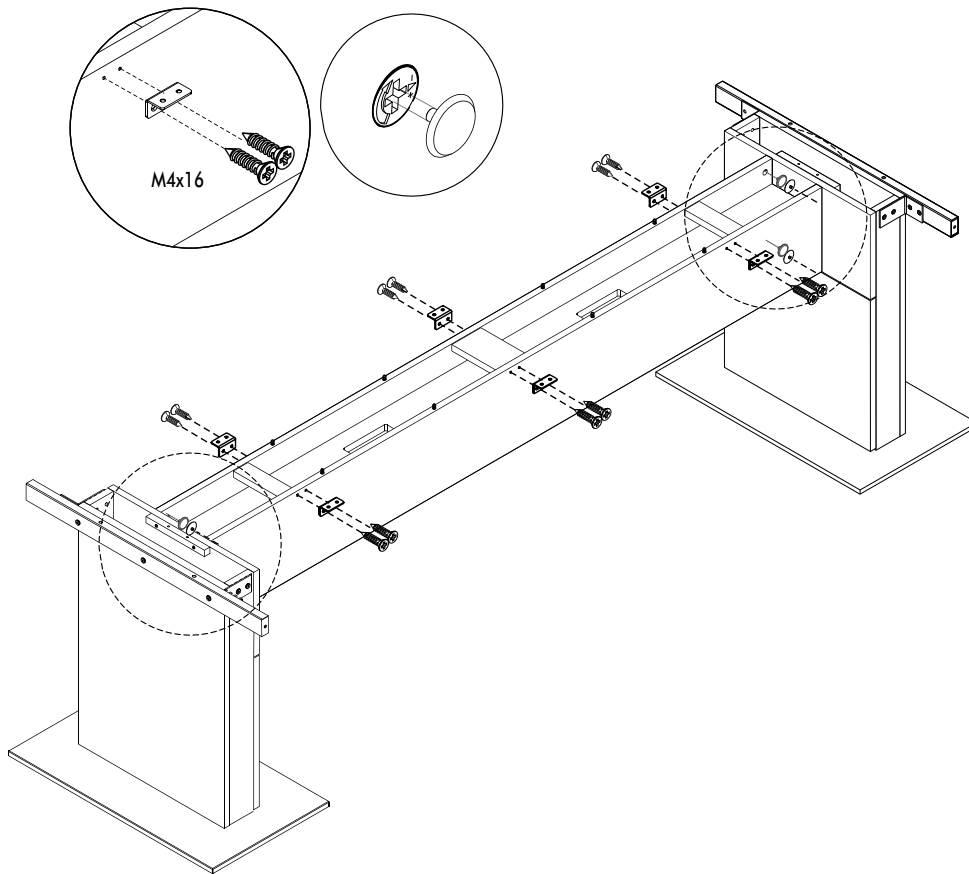
5.






6.

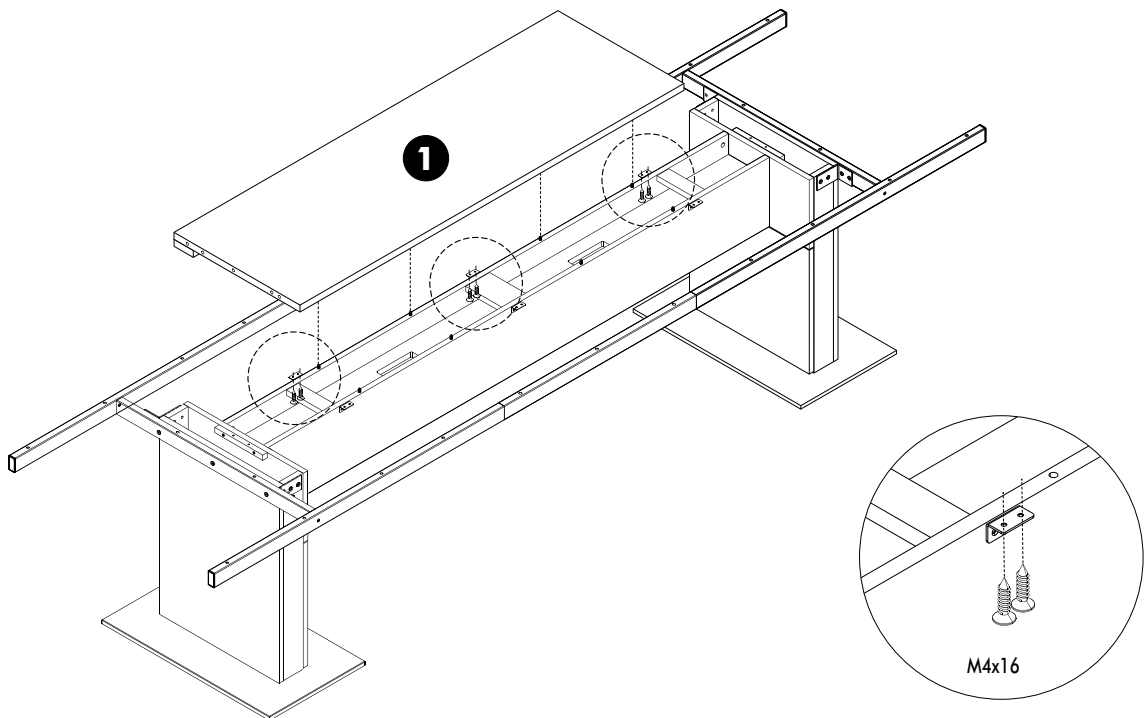


7.



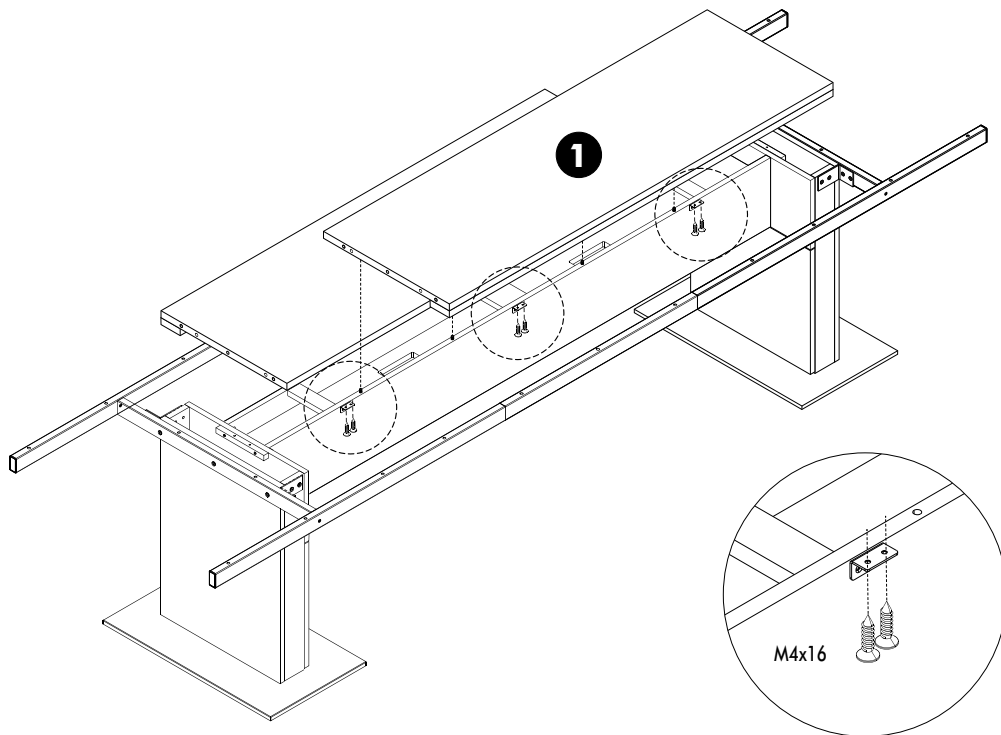
	X8	M4x16		X12		X6
---	-----------	-------	--	------------	---	-----------

8.



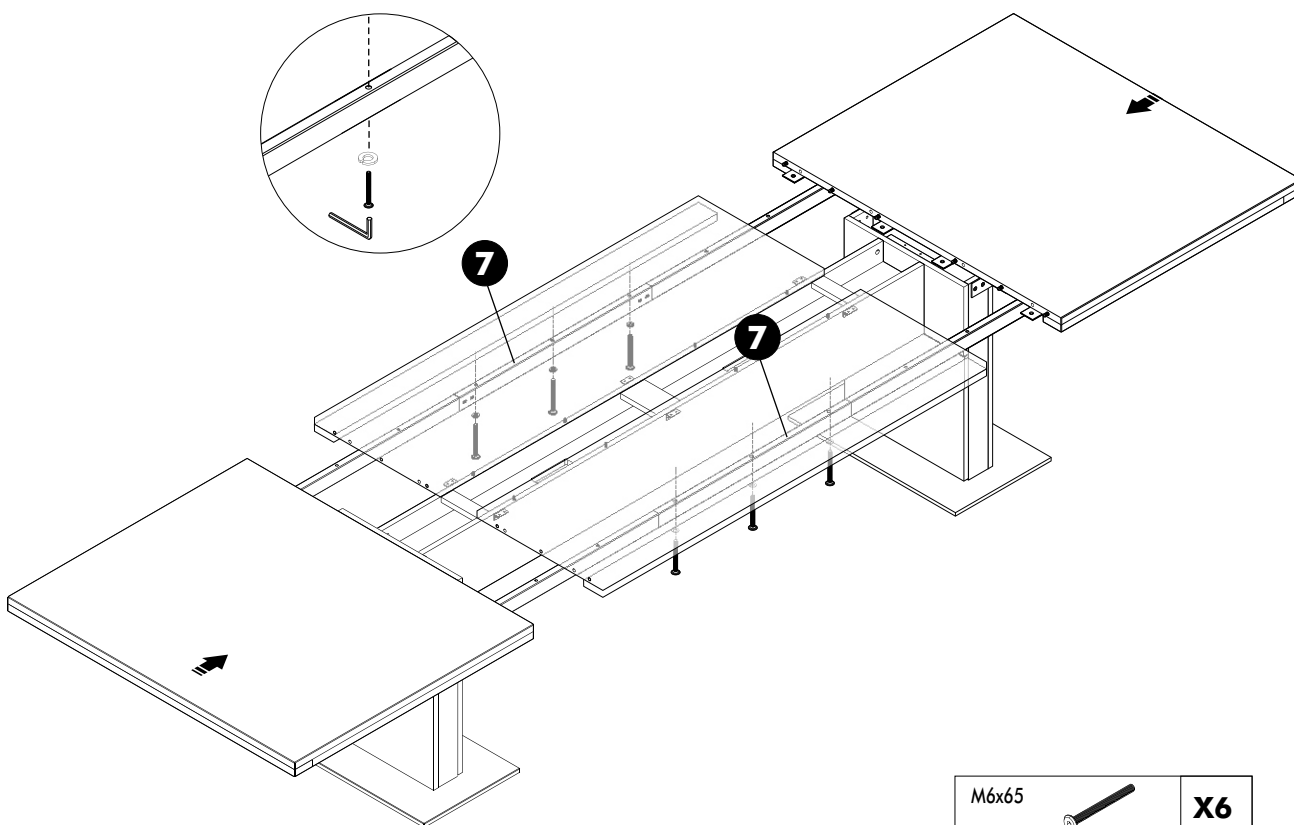
M4x16		X6
-------	---	-----------




9.



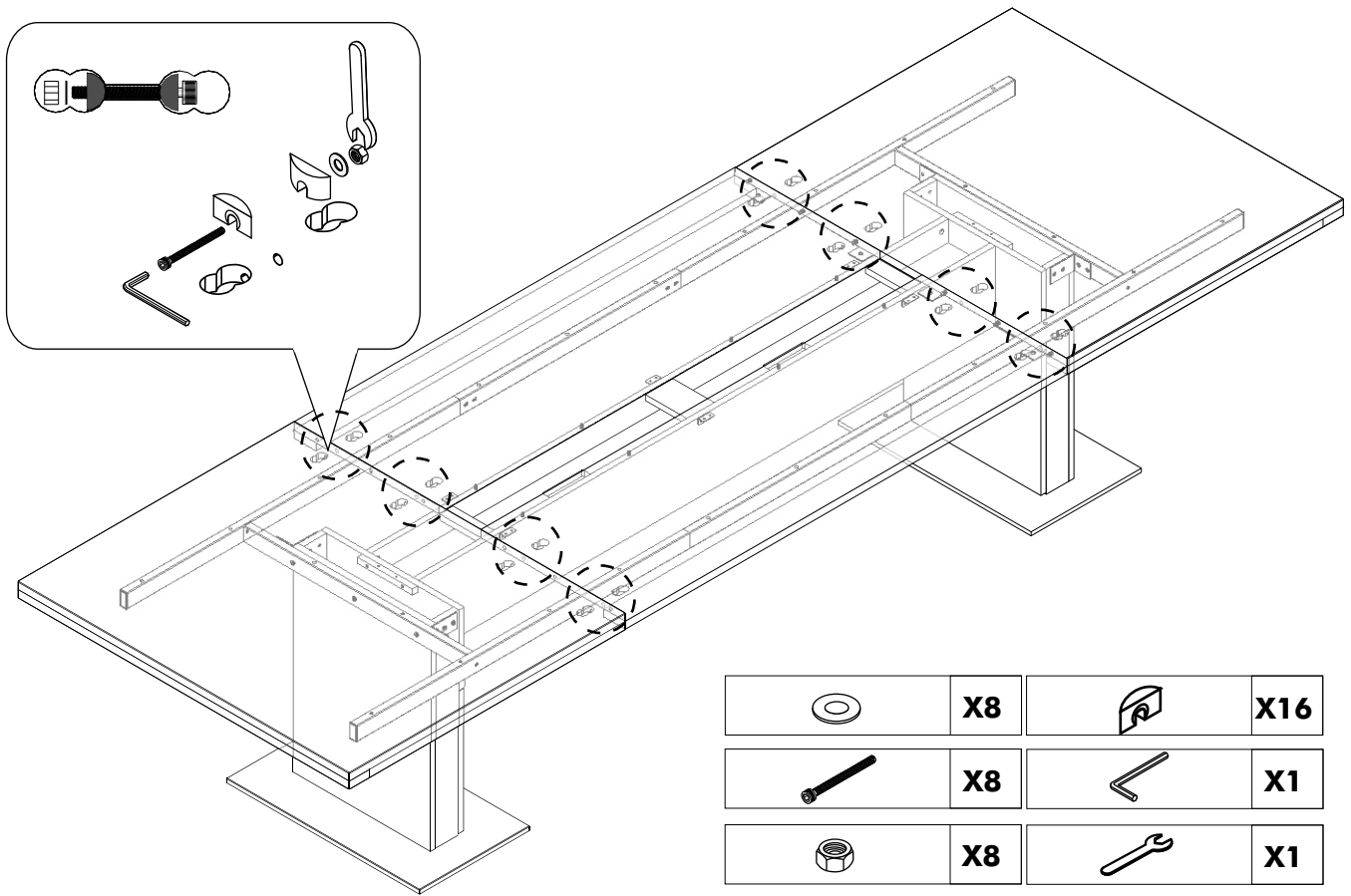
M4x16		X6
-------	--	----

10.



M6x65		X6
		X1
		X6

11.



12.

