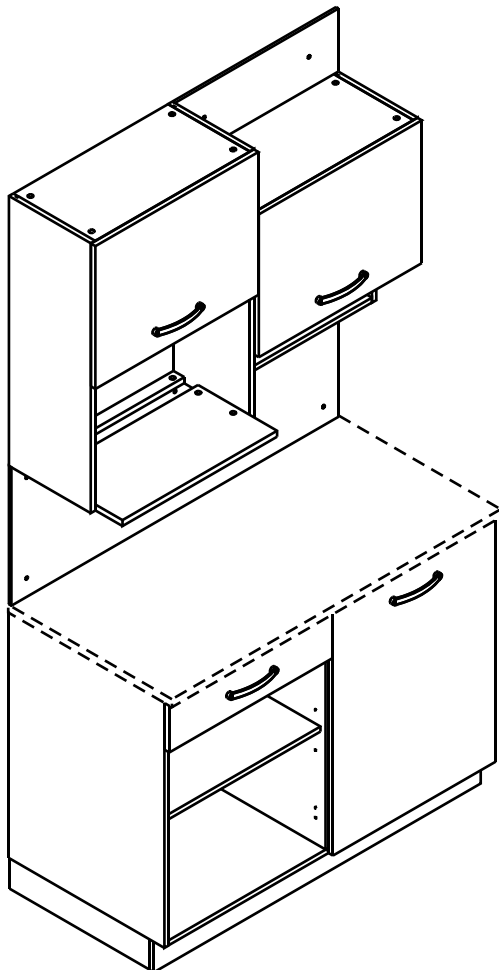
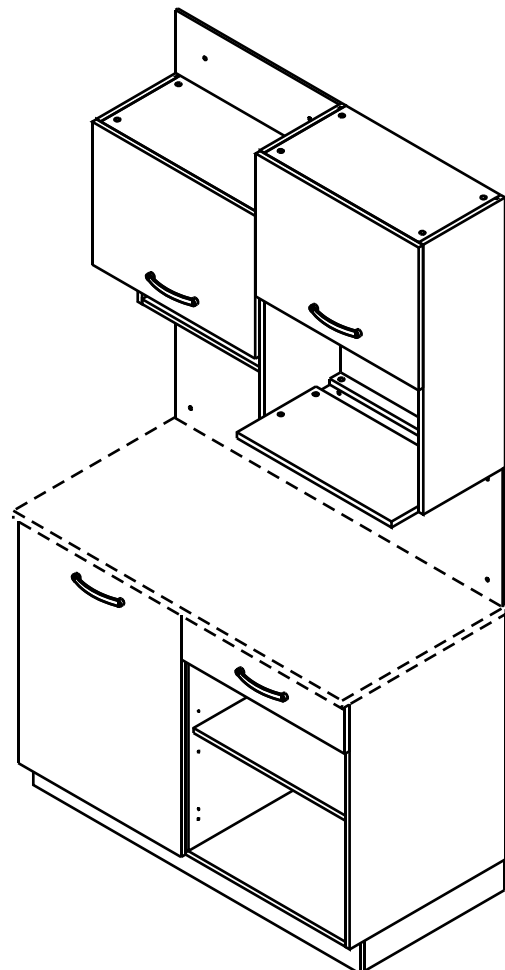


BELINDA

Kitchen 1.2M

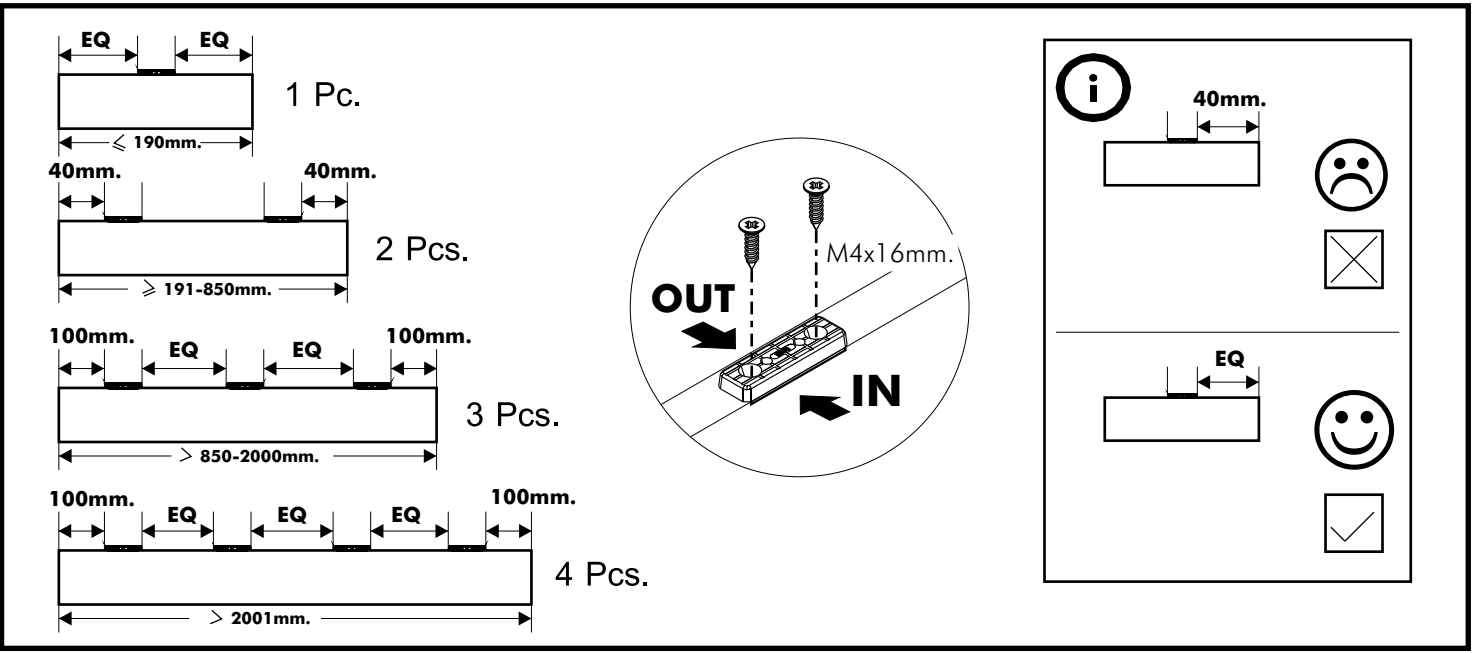
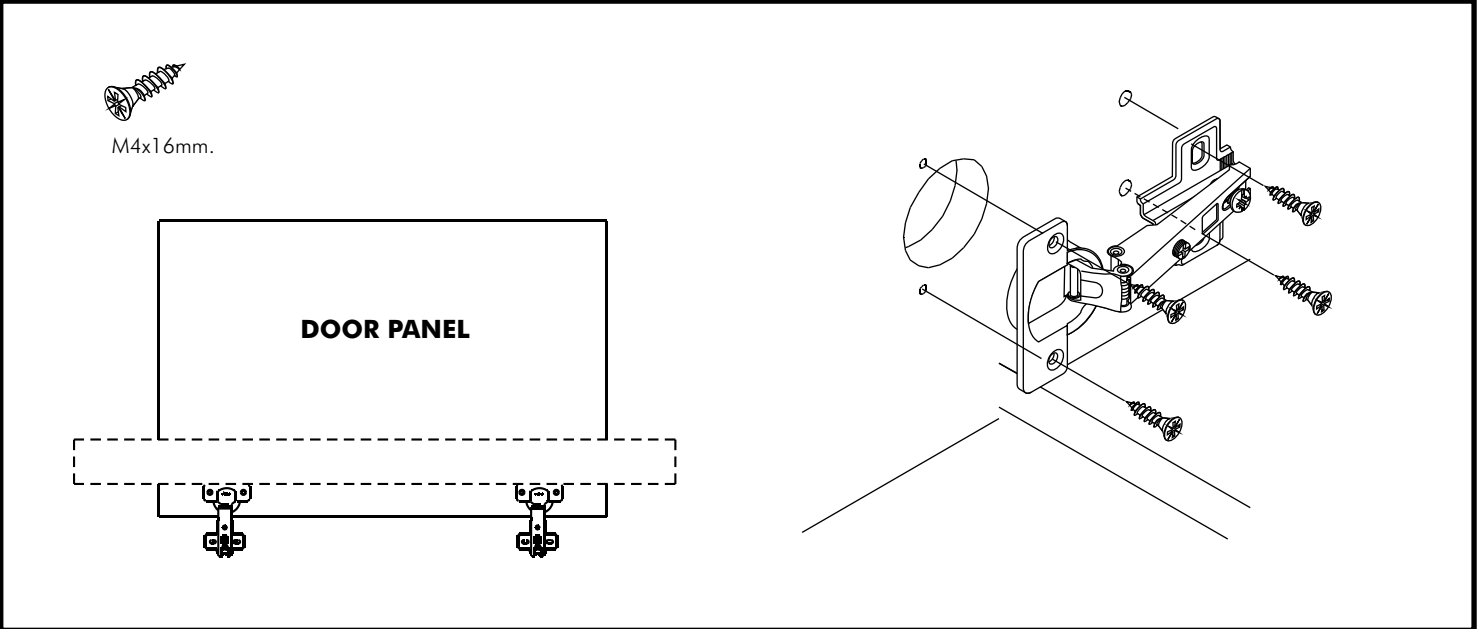
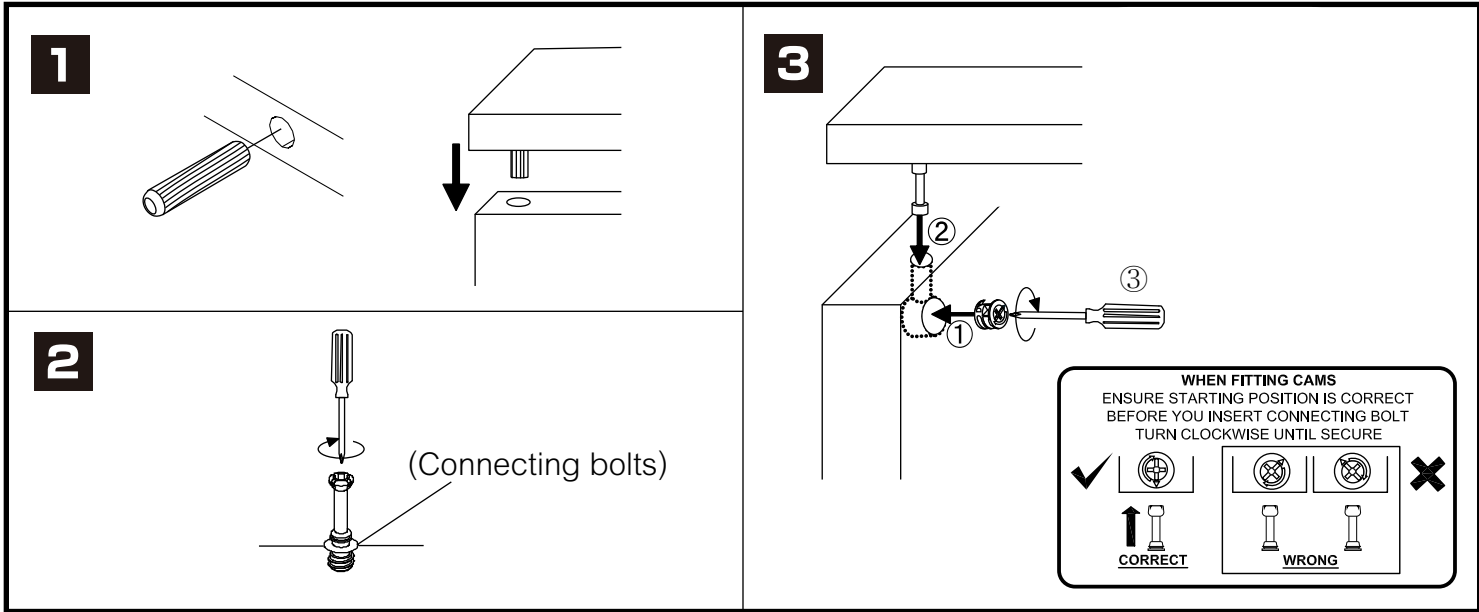


TYPE:LEFT

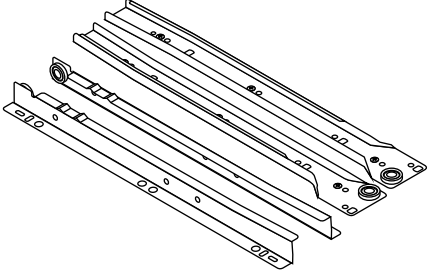
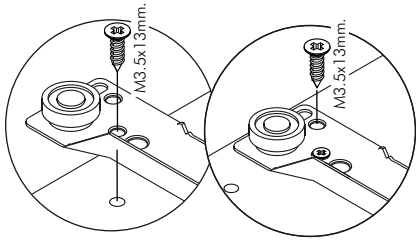


TYPE:RIGHT

CONNECT SYSTEM

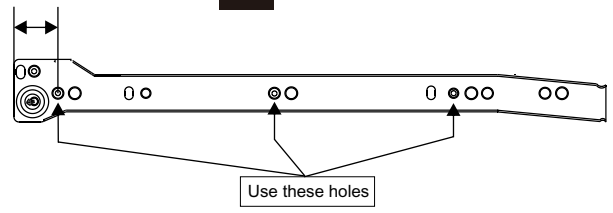


M3.5x13mm.

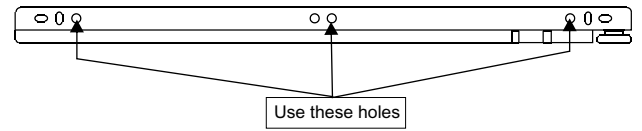


28mm.

1

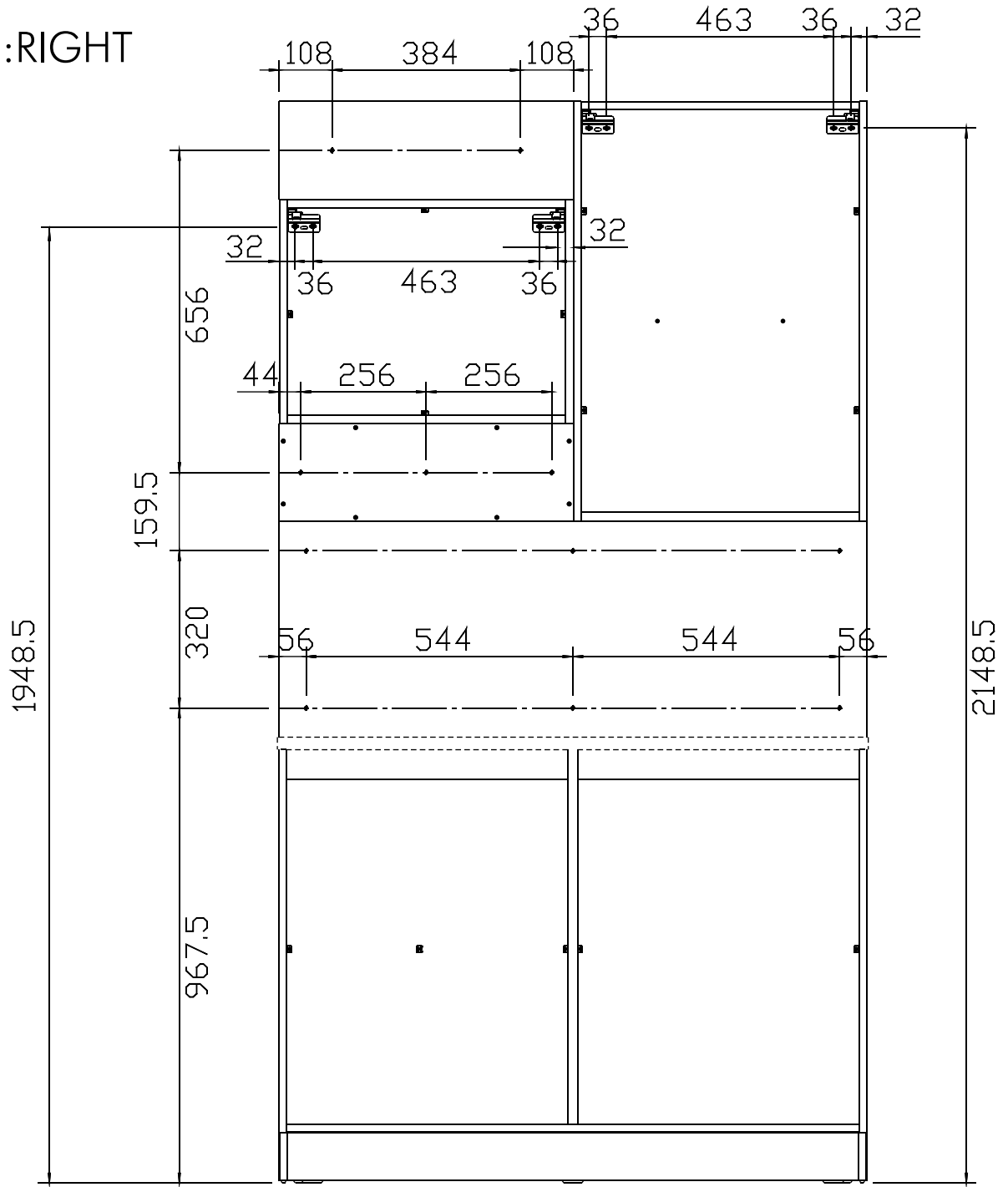


2



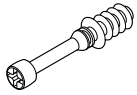


TYPE:RIGHT



HARDWARE

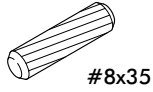
-BODY SET



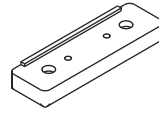
x 30



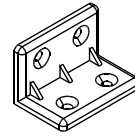
x 30



x 55



x 12



x 25



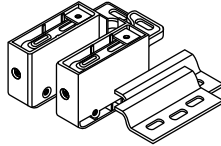
x 16



x 13



x 12



x 2



x 6



x 3



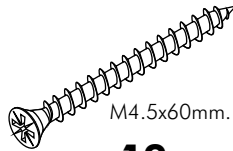
x 8



x 2



x 19



x 19



x 130



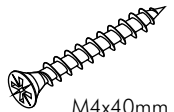
x 13



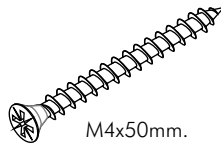
x 1



x 12

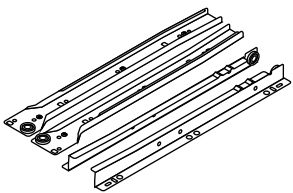


x 8



x 2

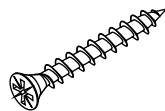
-DRAWER SET



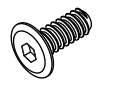
x 1



x 8



x 10

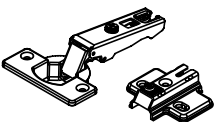


x 3



x 1

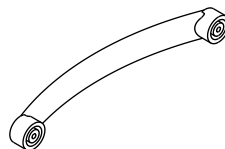
-DOOR SET



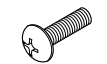
x 6



x 24

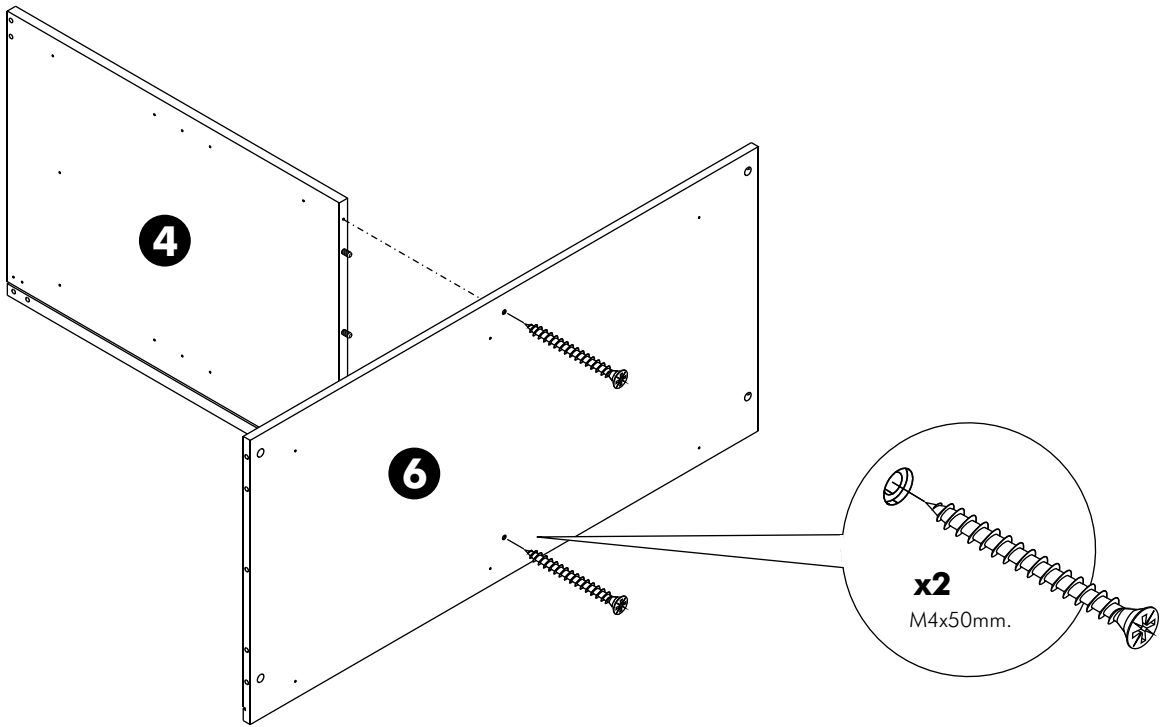


x 4

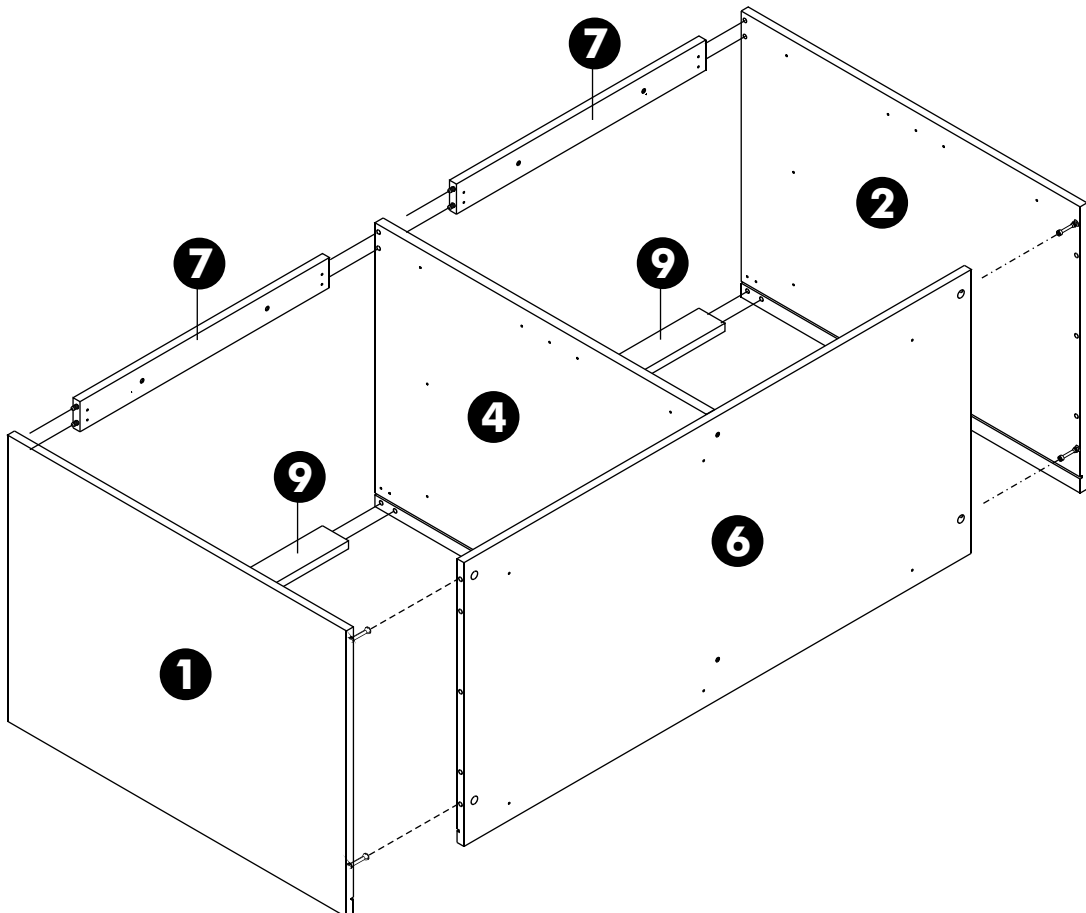


x 8

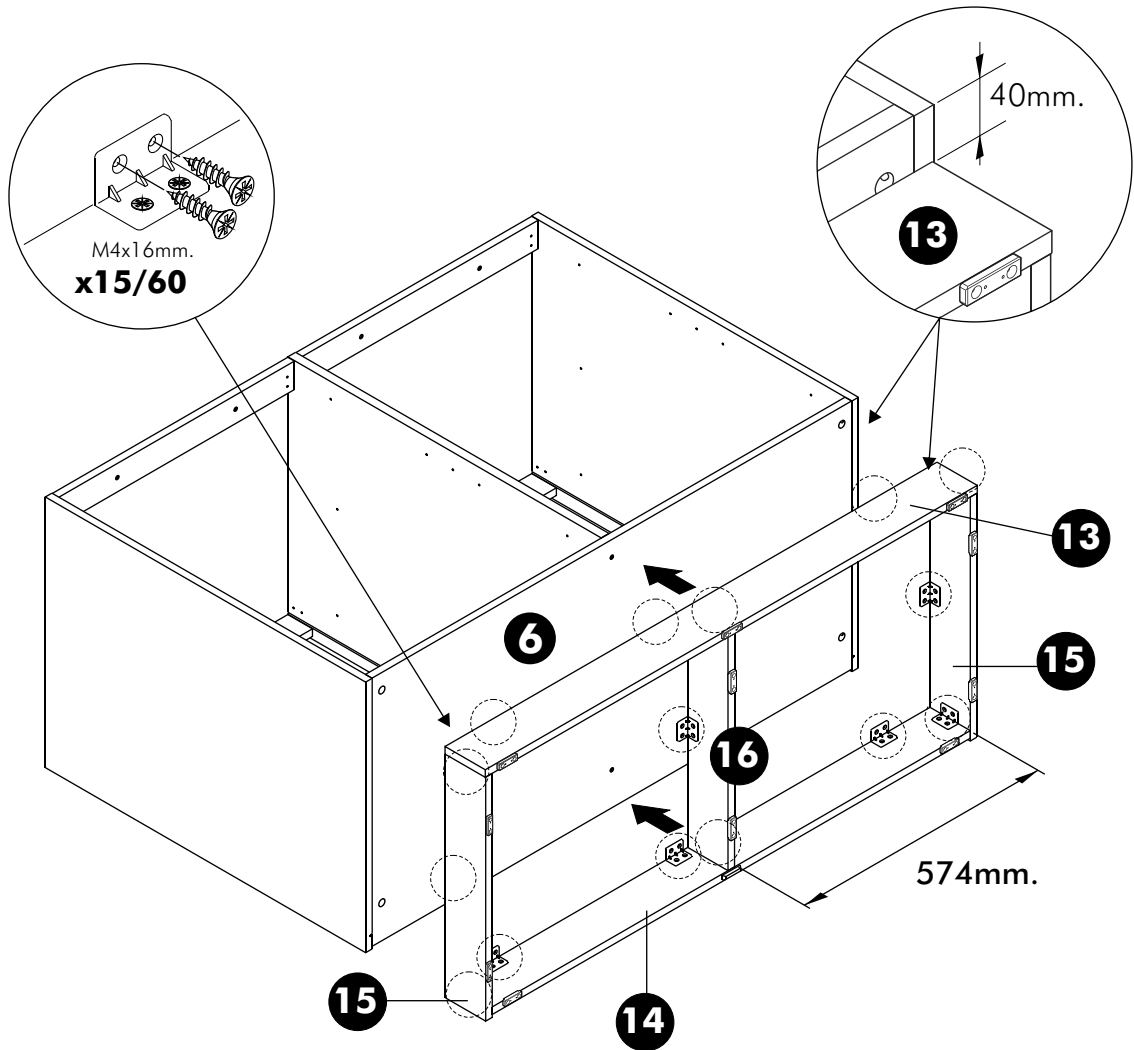
1.



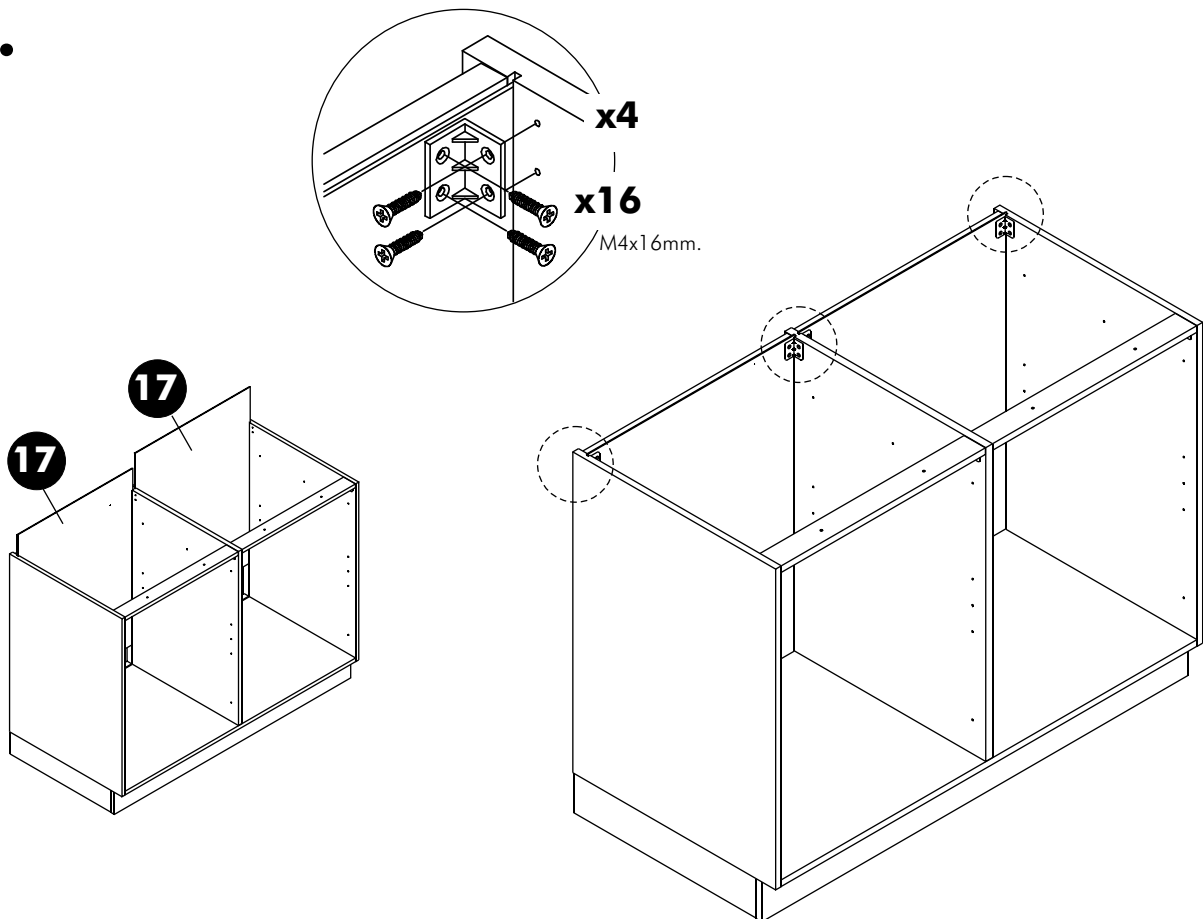
2.



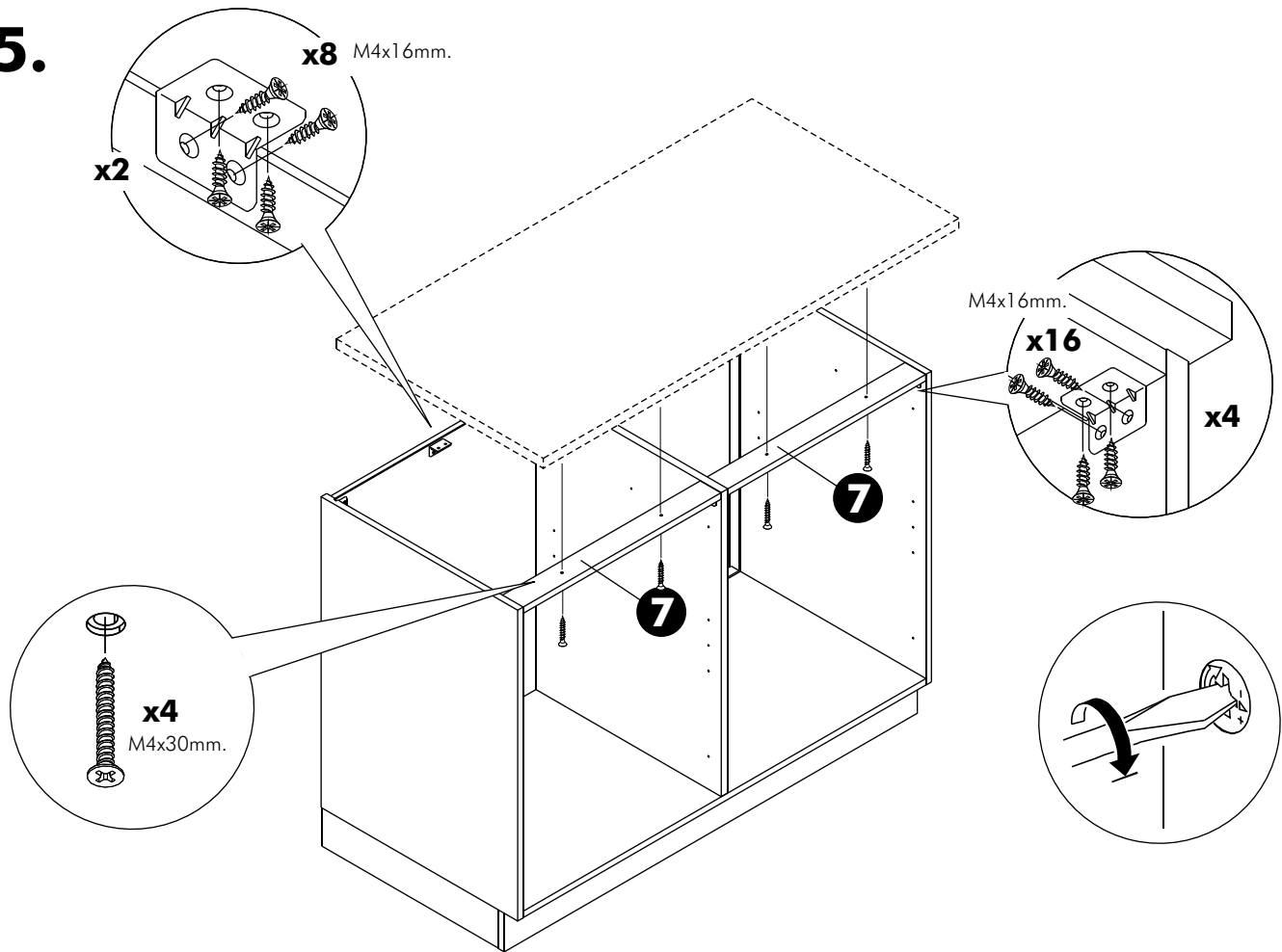
3.



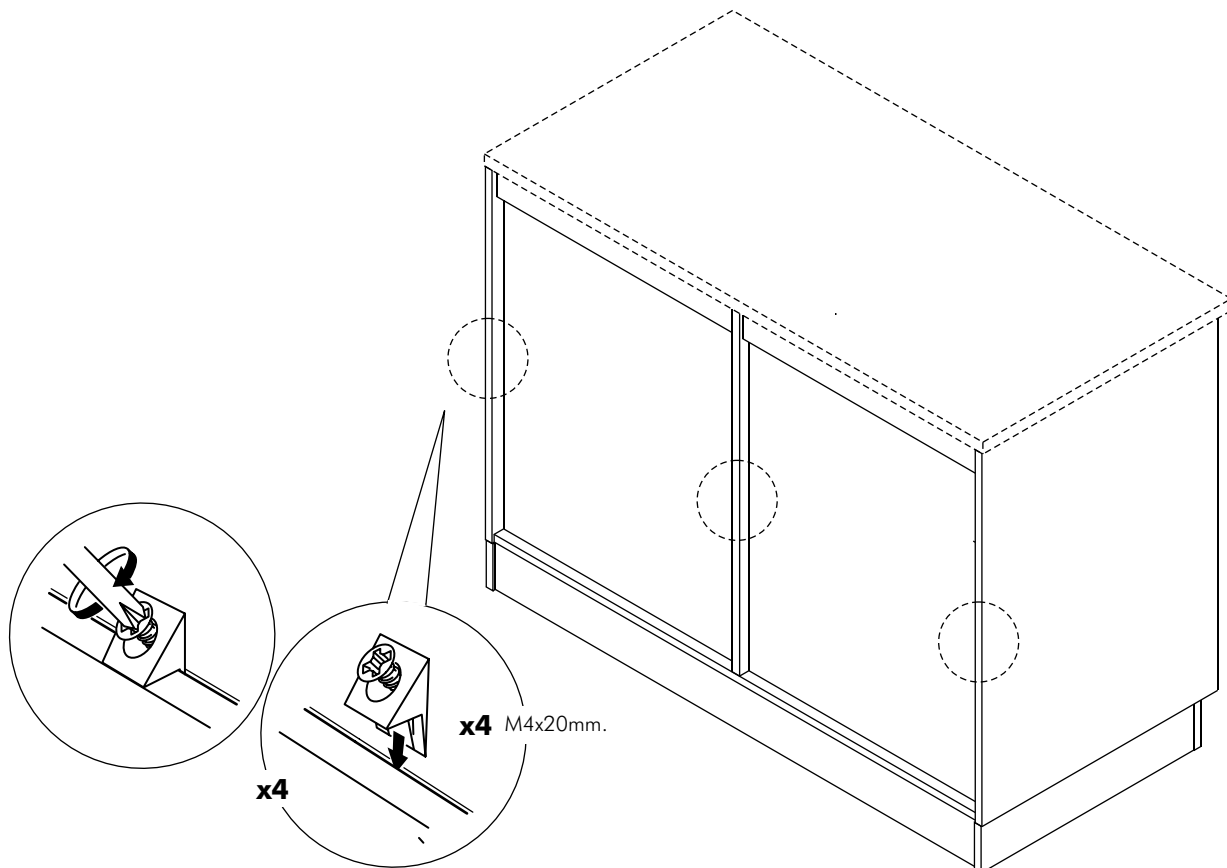
4.



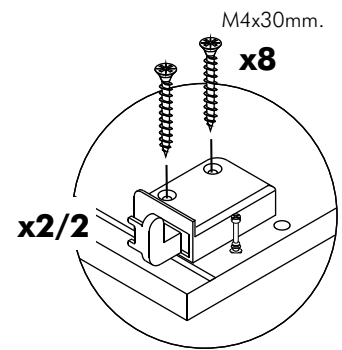
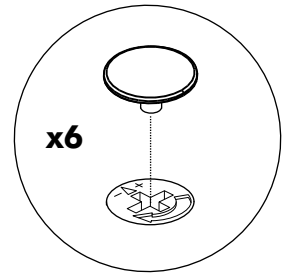
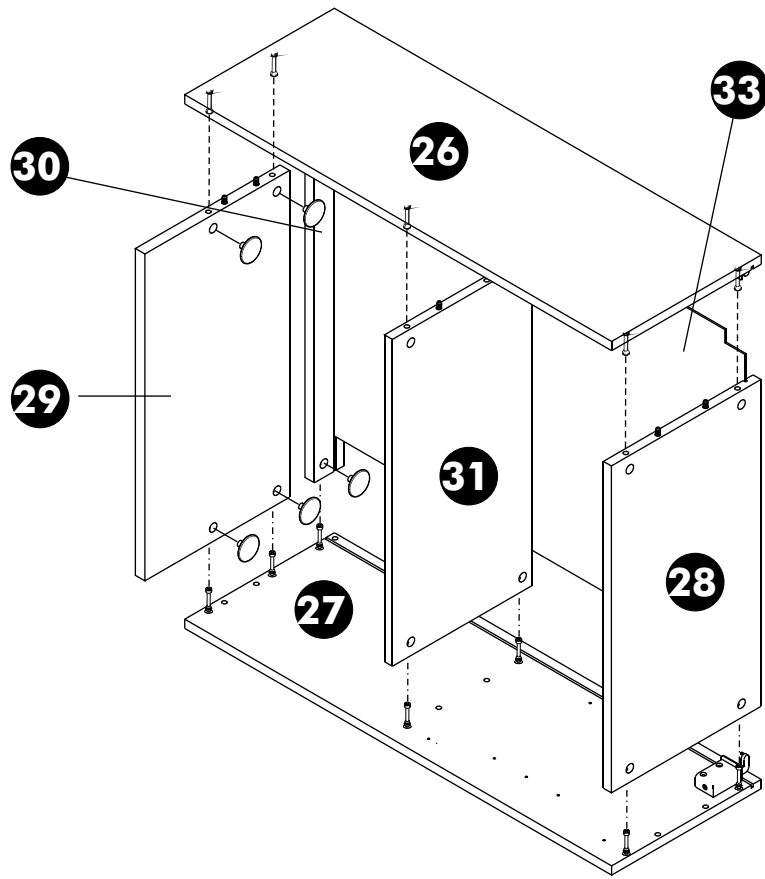
5.



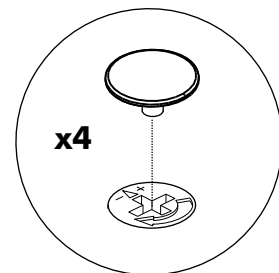
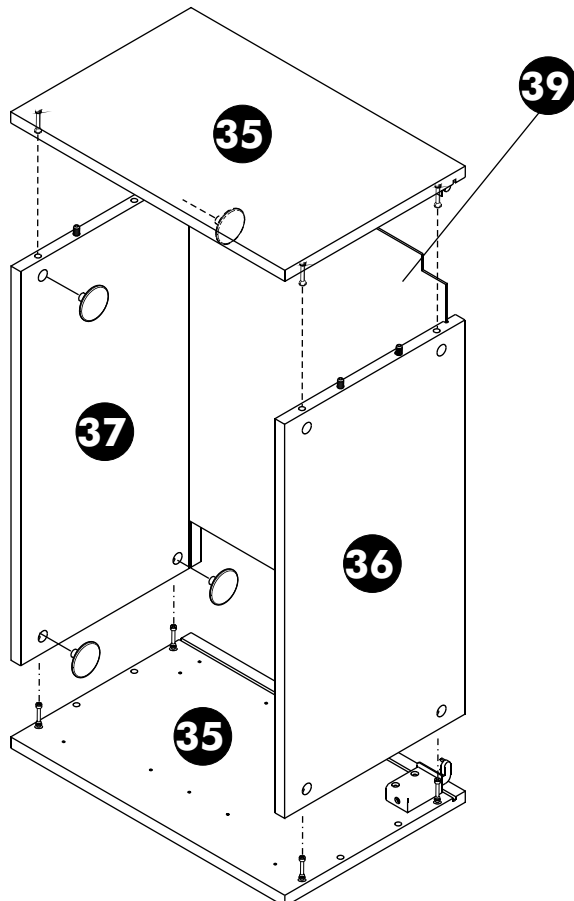
6.



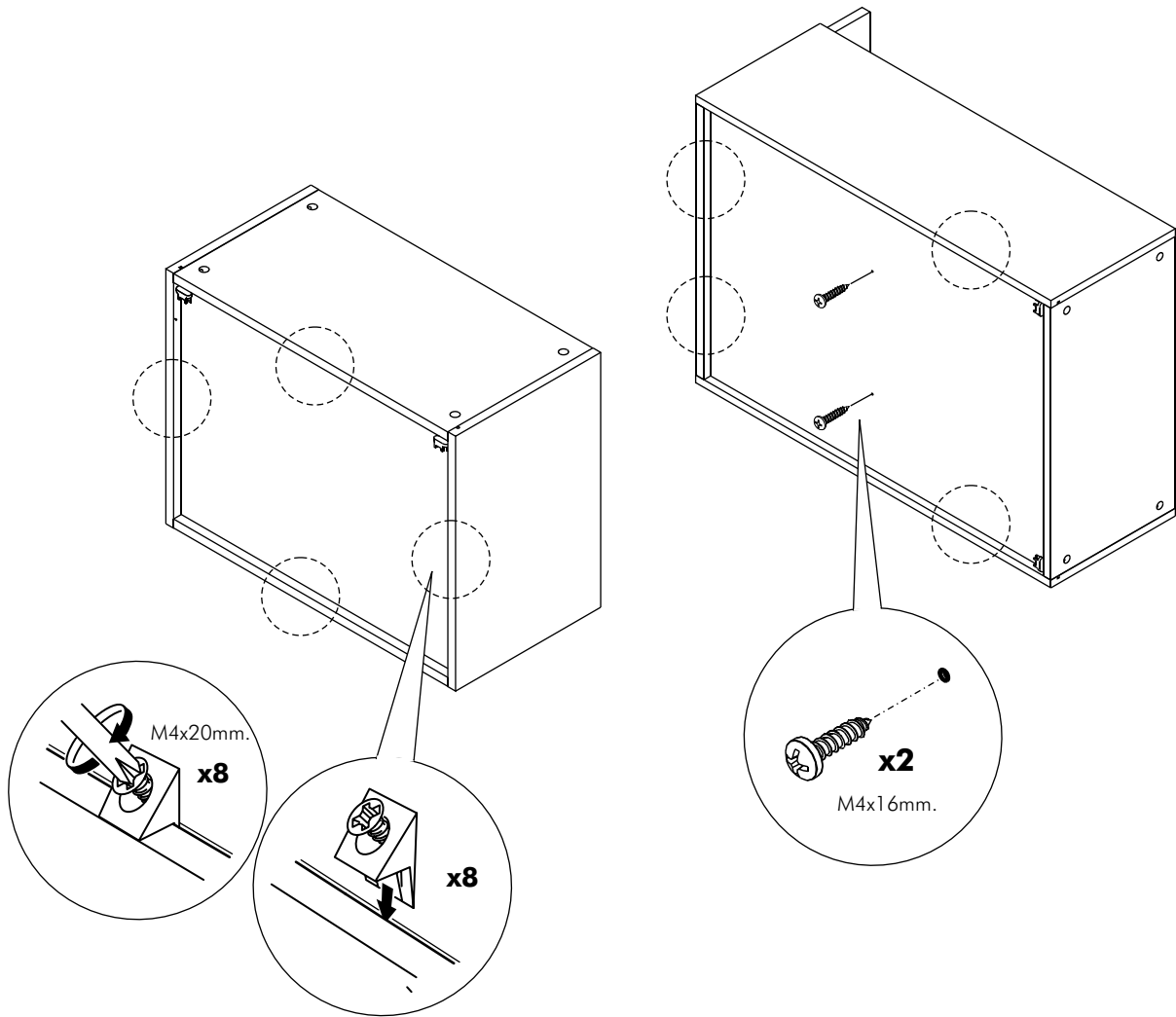
7.



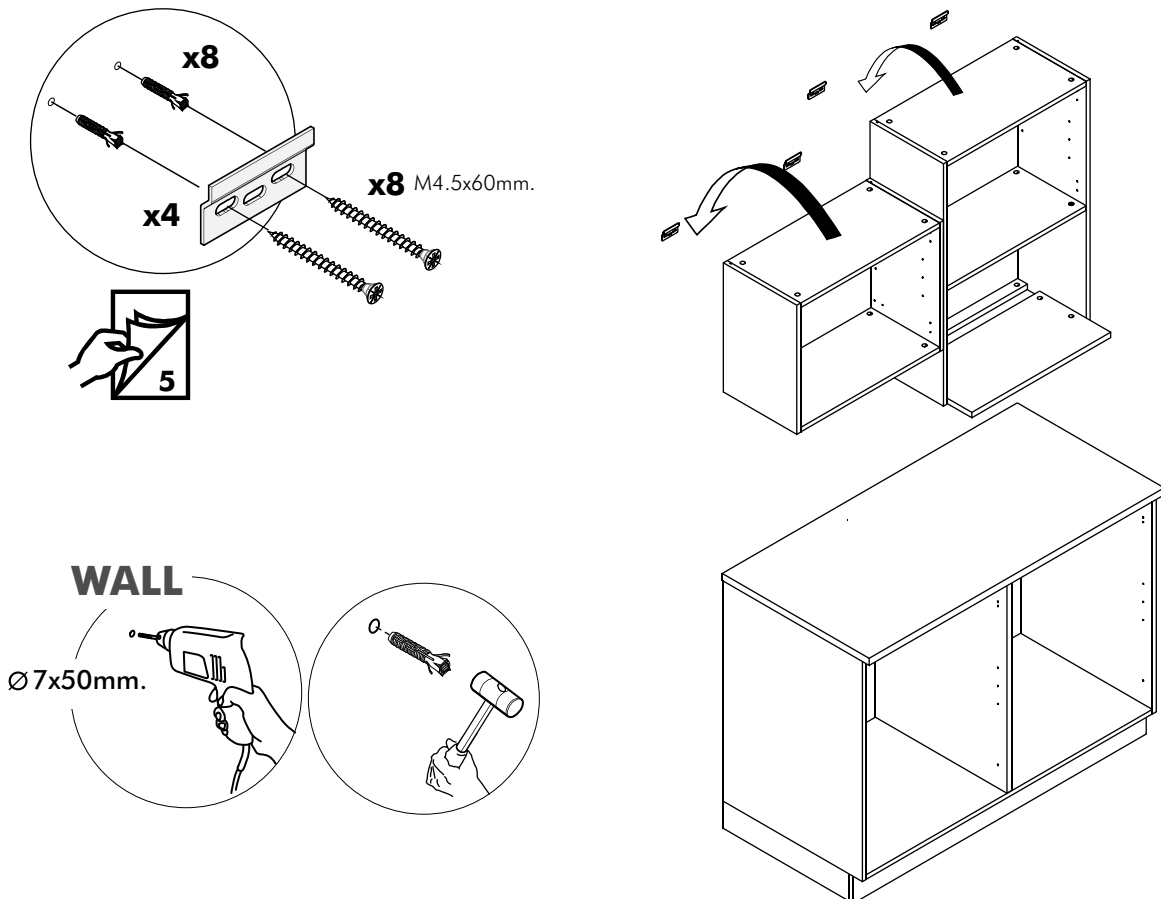
8.



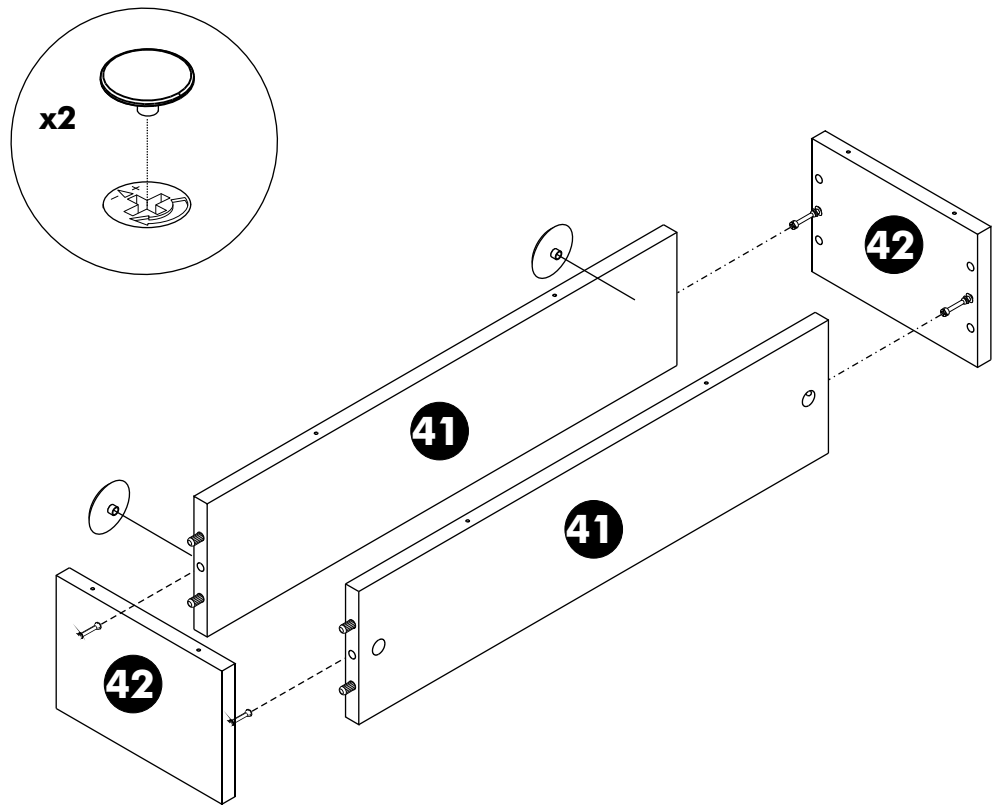
9.



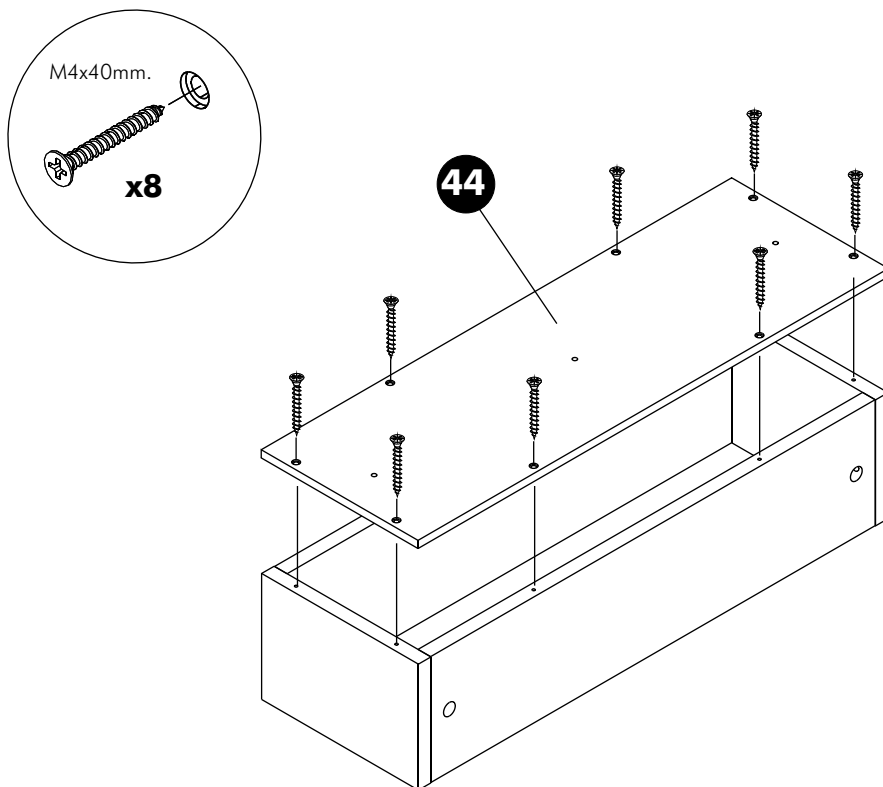
10.



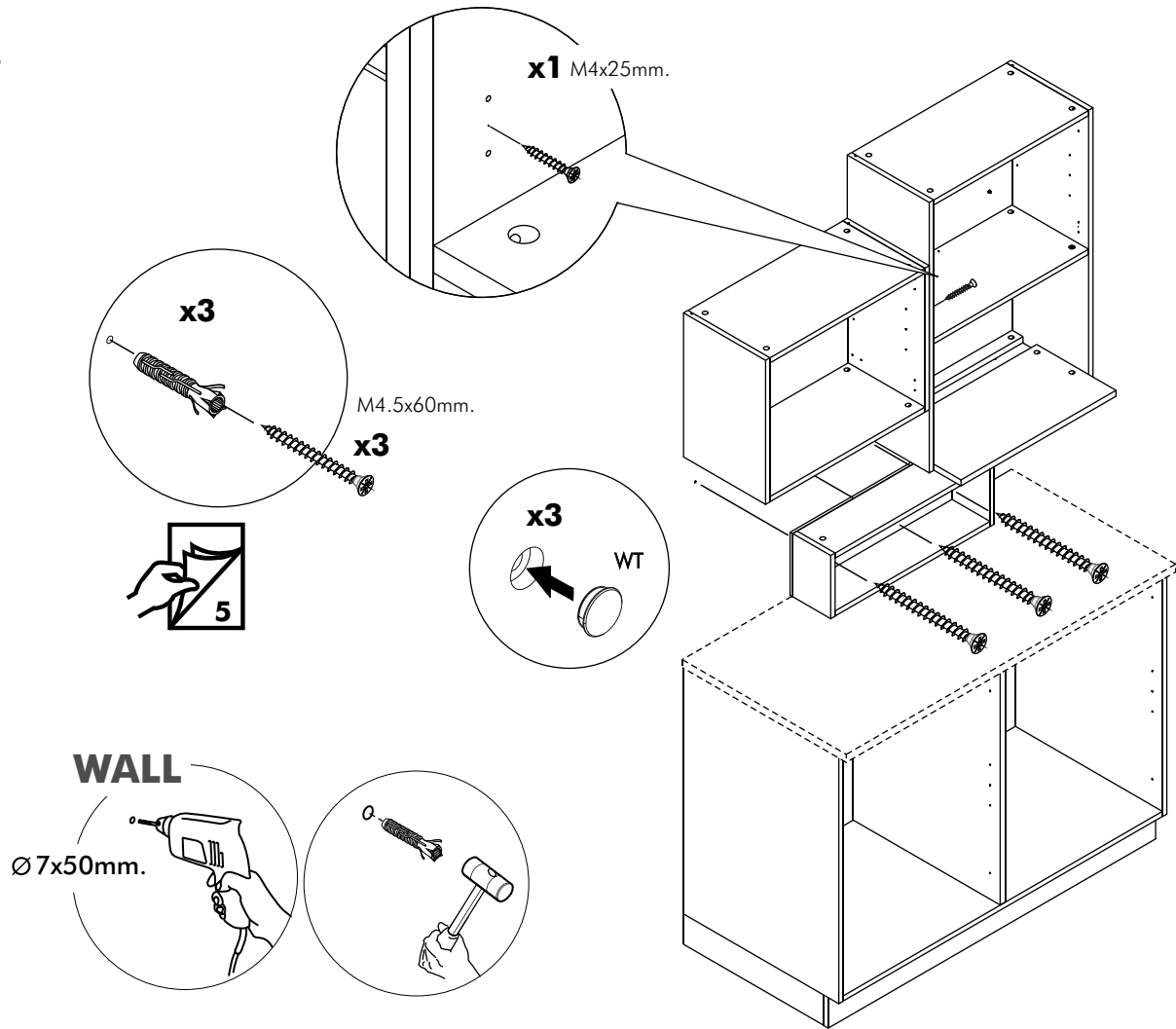
11.



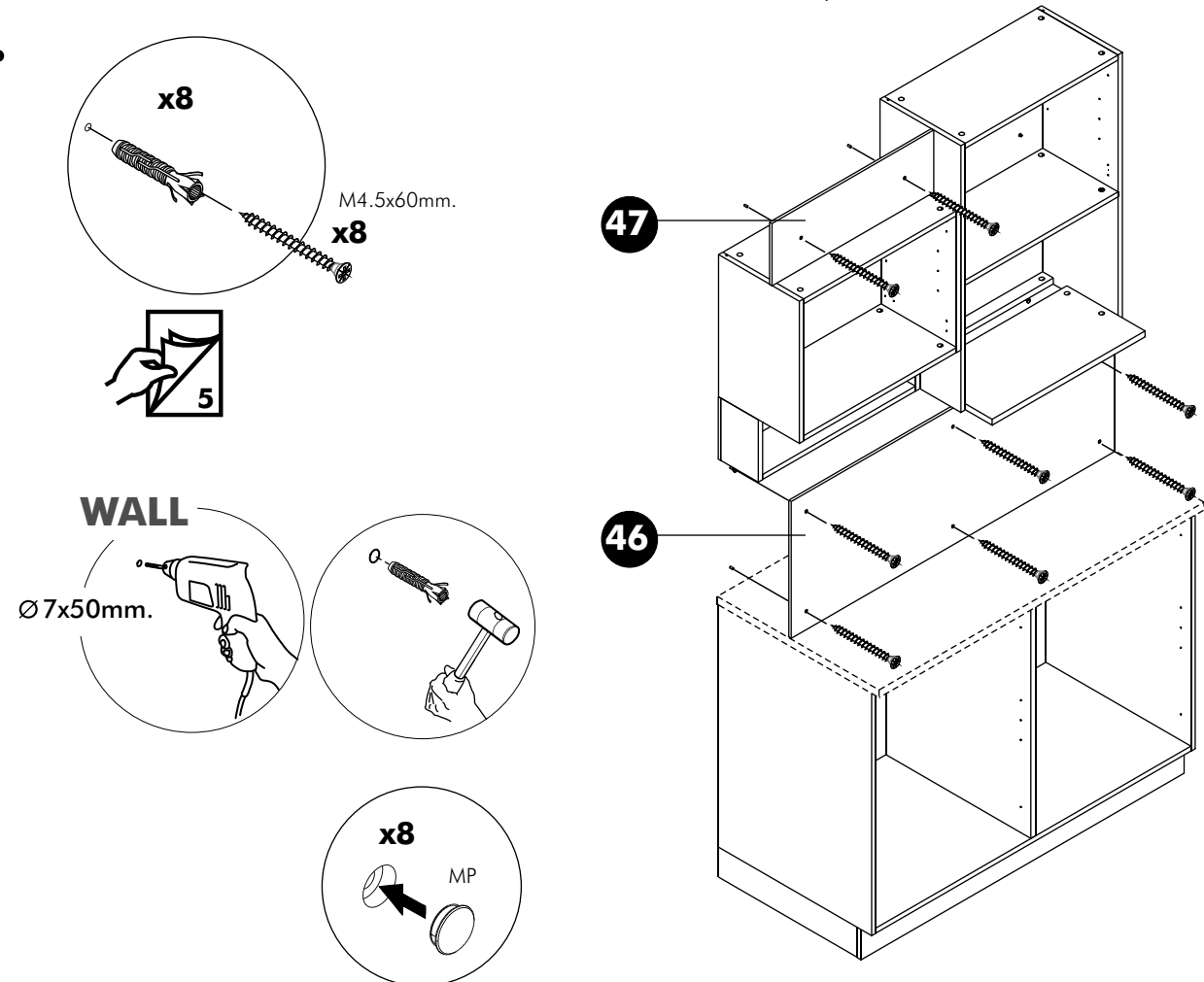
12.



13.

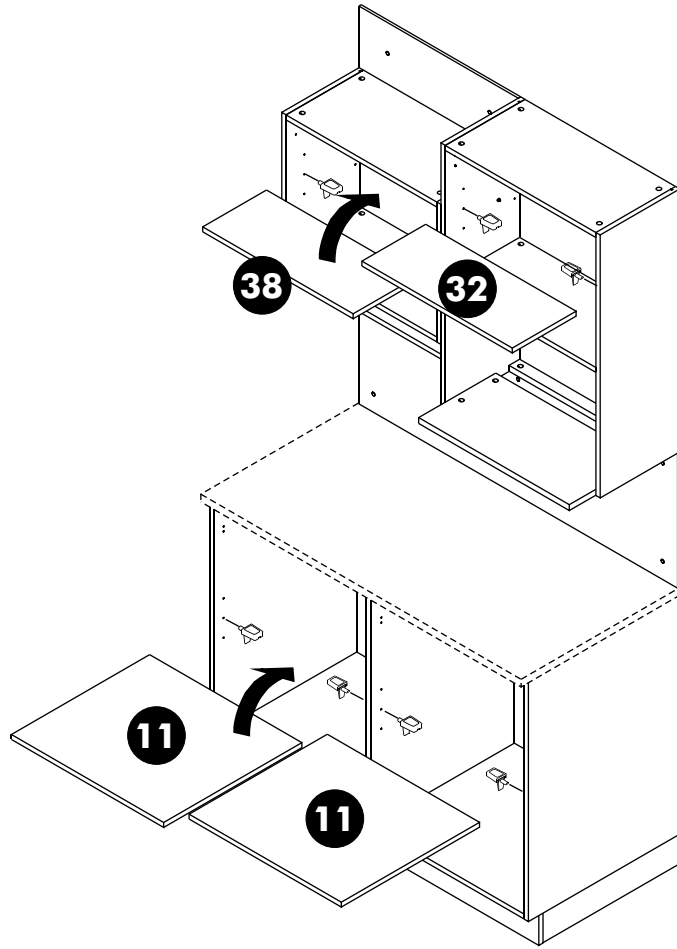
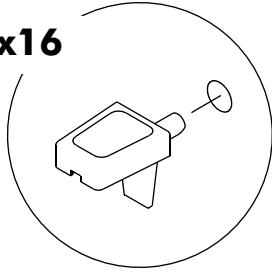


14.

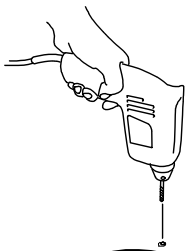


15.

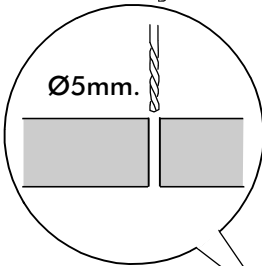
x16



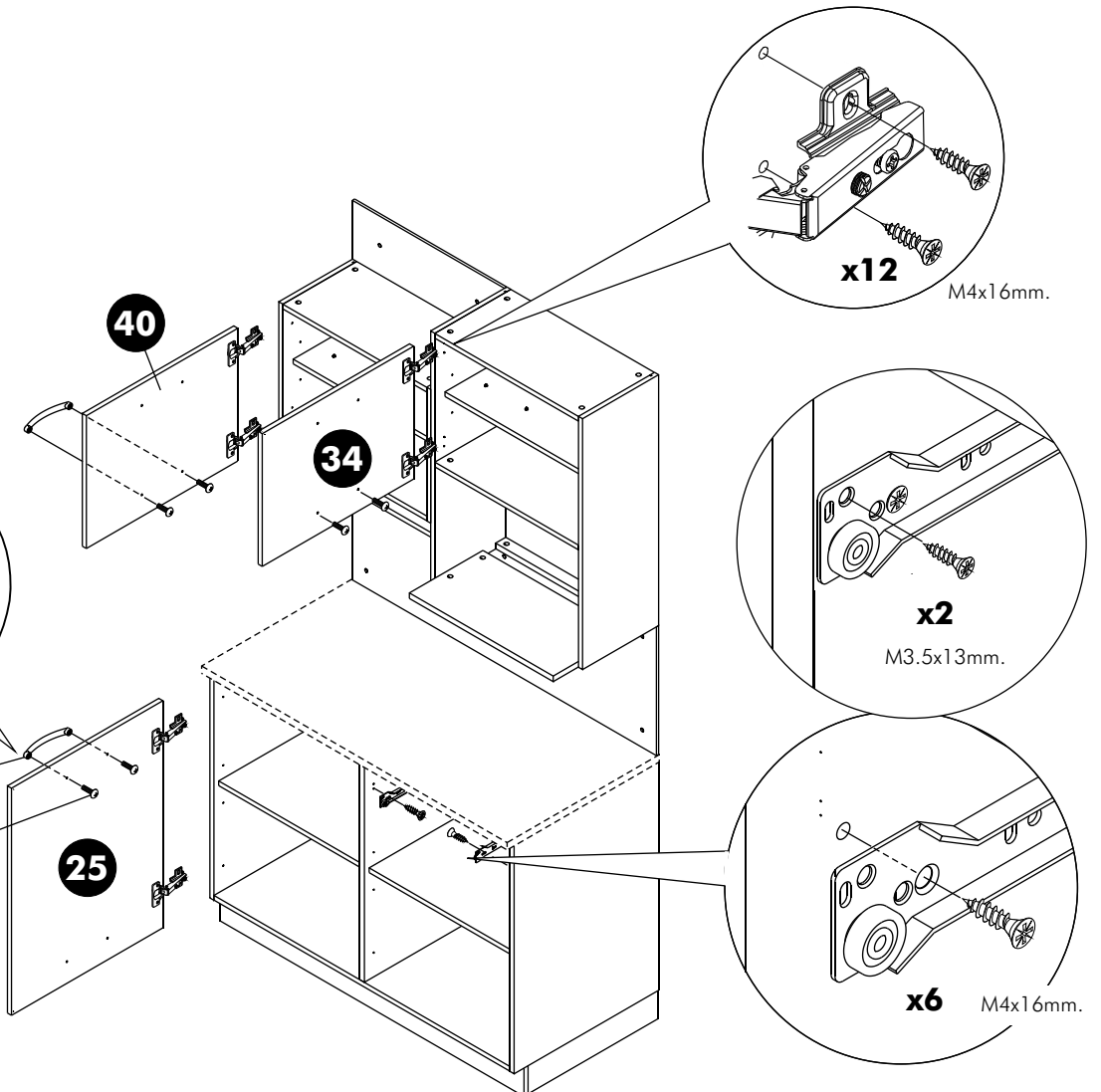
16.



Ø5mm.



x3
x6
M4x22mm.



x12

M4x16mm.

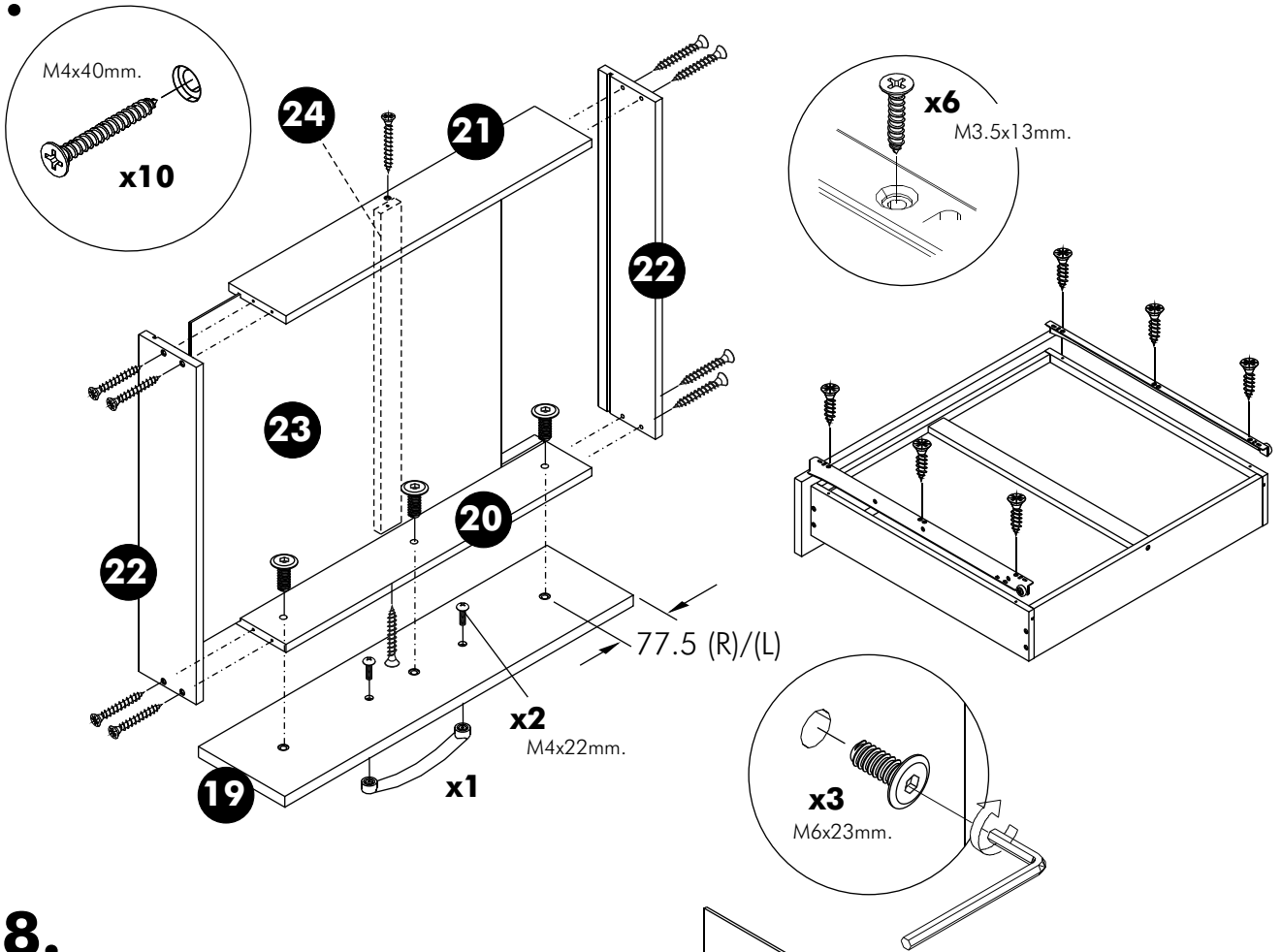
x2

M3.5x13mm.

x6

M4x16mm.

17.



18.

