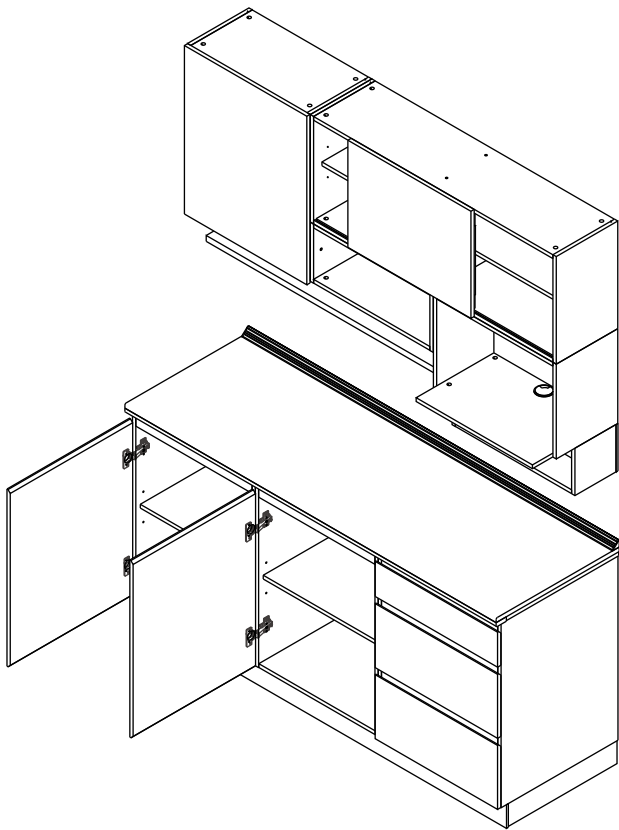
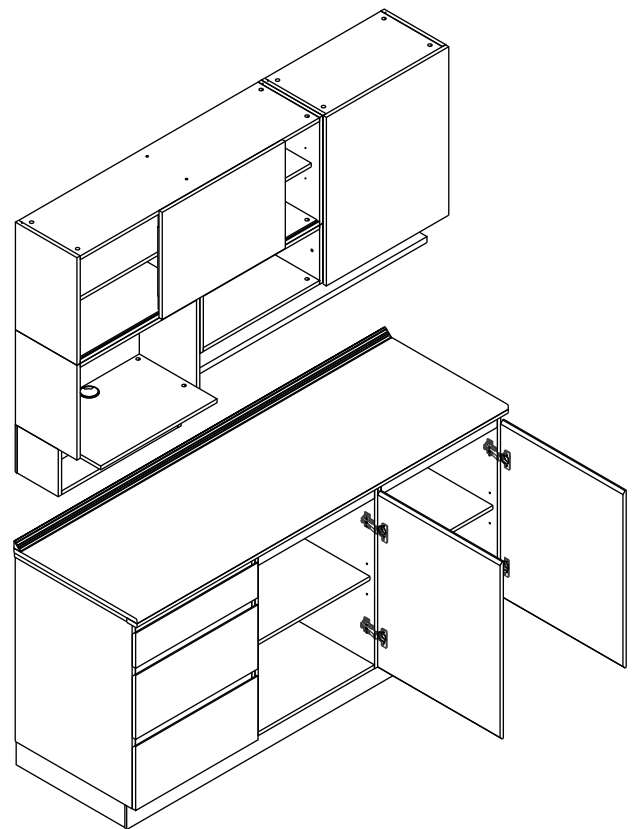


MINZOKU-P

MINZOKU 1.8 M.



TYPE:LEFT



TYPE:RIGHT

CONNECT SYSTEM

1

3

2

(Connecting bolts)

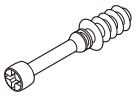
WHEN FITTING CAMS
 ENSURE STARTING POSITION IS CORRECT
 BEFORE YOU INSERT CONNECTING BOLT
 TURN CLOCKWISE UNTIL SECURE

✓			✗
↑			
	CORRECT	WRONG	

M4x16mm.

HARDWARE

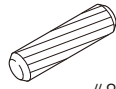
-BODY SET



X 50

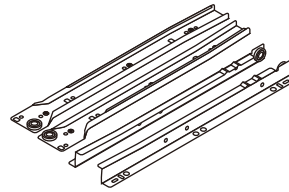


X 50

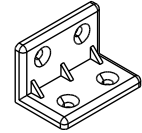


#8x35

X 94



X 3



X 25



M4x16mm.

X 184



M3.5x13mm.

X 5



M6x23

X 13



M4x40mm.

X 40



M3.5x13mm.

X 50

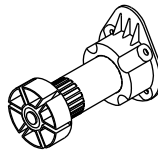


M4x13mm.

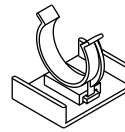
X 16



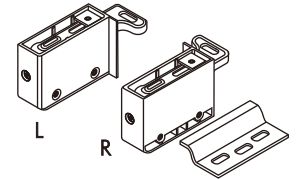
X 1



X 12



X 8

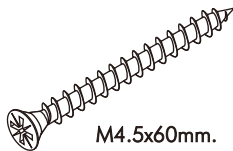


X3/4/7



M4x30mm.

X 22

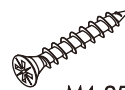


M4.5x60mm.

X 28

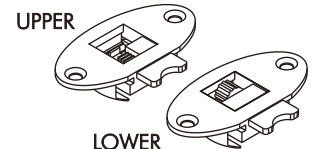


X 1

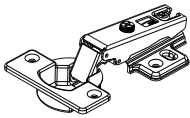


M4x25mm.

X 12



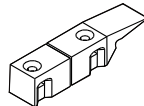
X 2/2



X 6



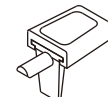
X 8



X 4



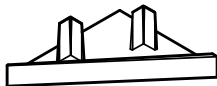
X 32



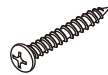
X 24



X 10



X 2



M4x25mm.

X 2

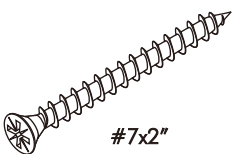


X 3



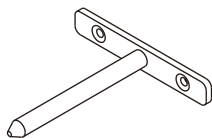
M4x10mm.

X 3



#7x2"

X 4



X 4

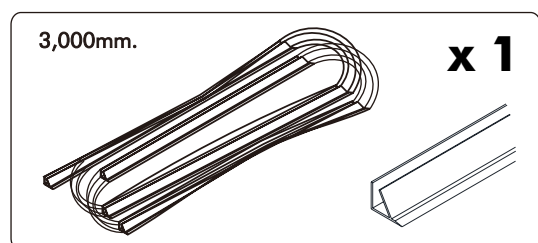


X 4



Dark gray

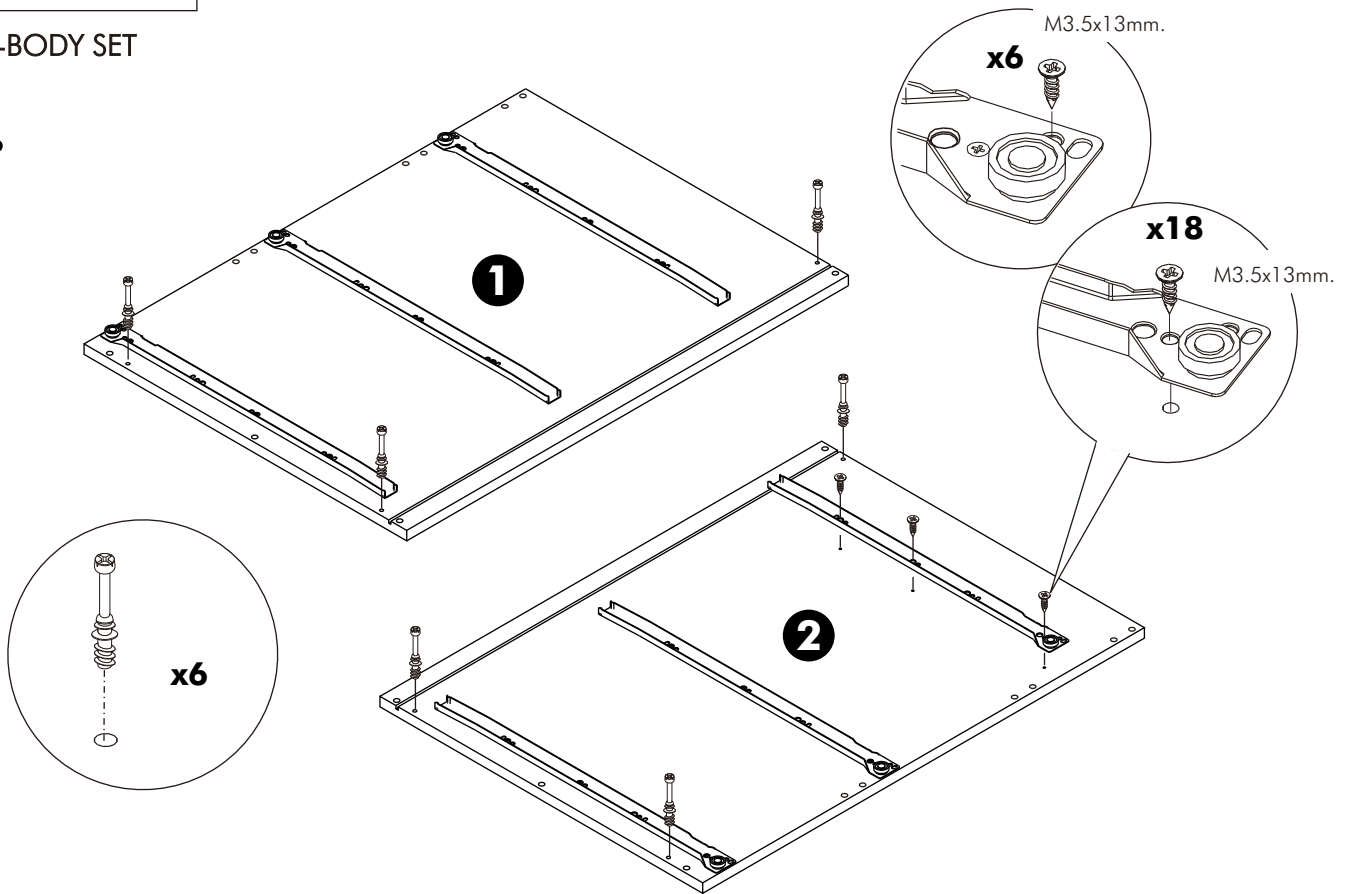
X 12



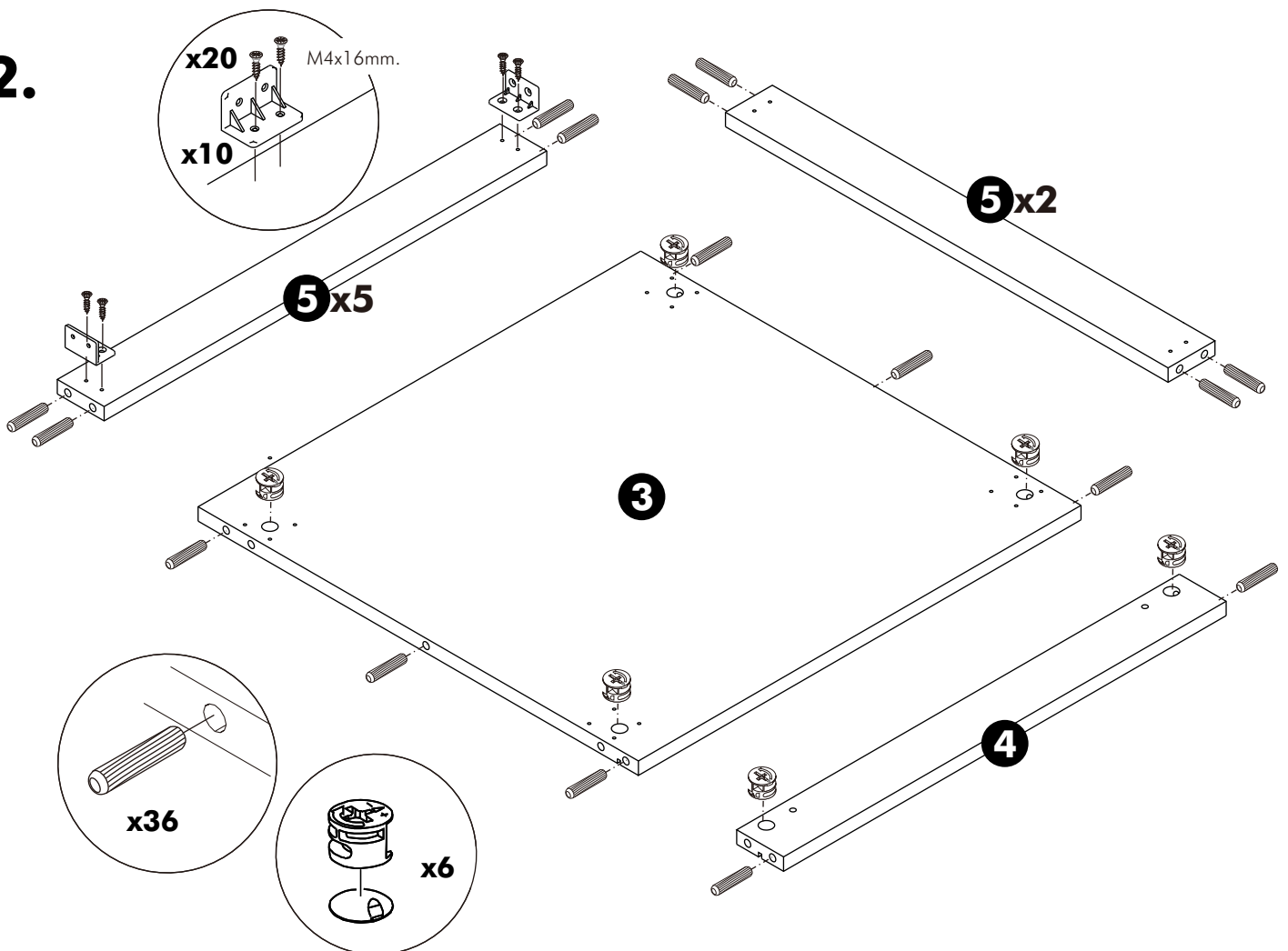
ASSEMBLY

-BODY SET

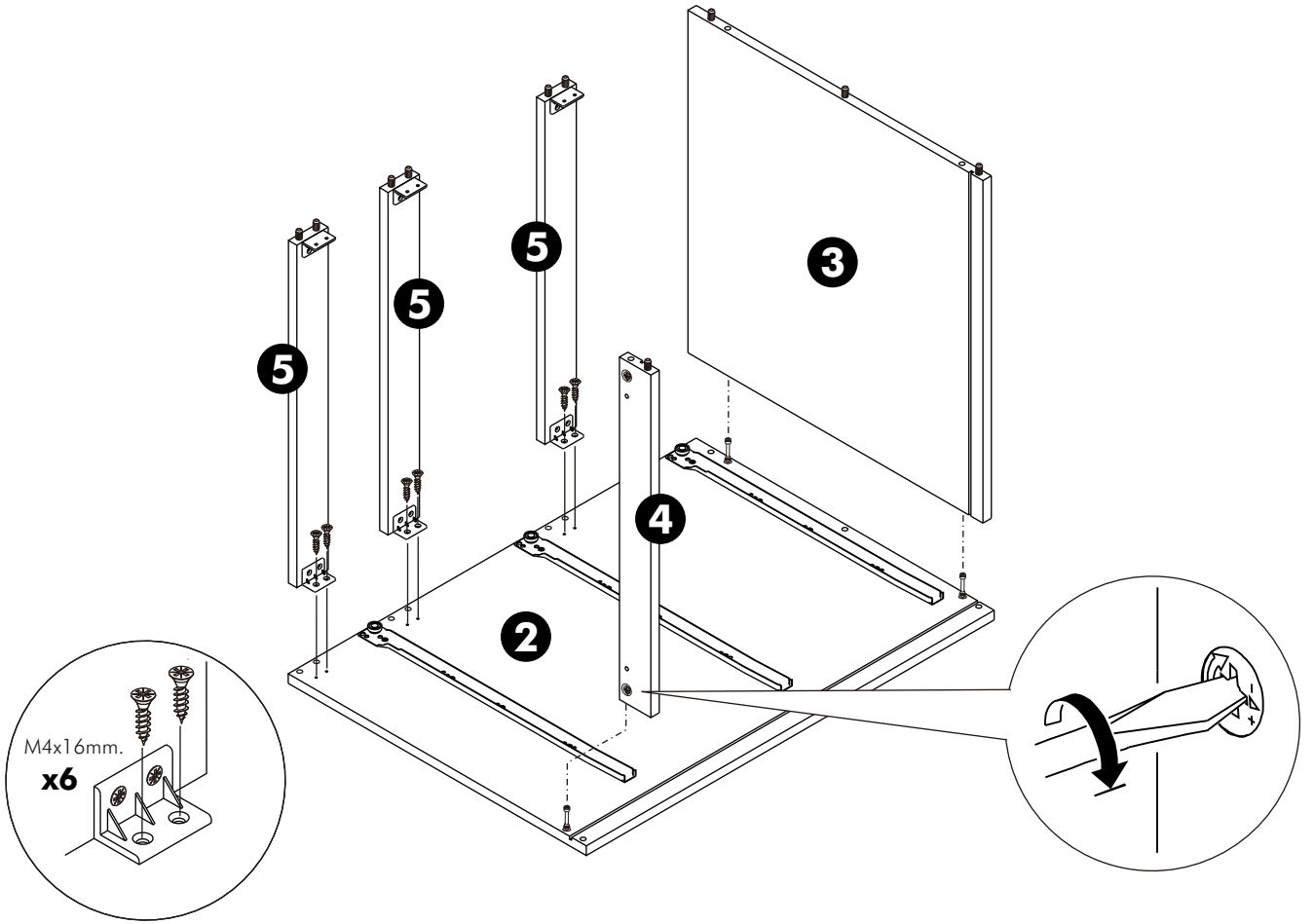
1.



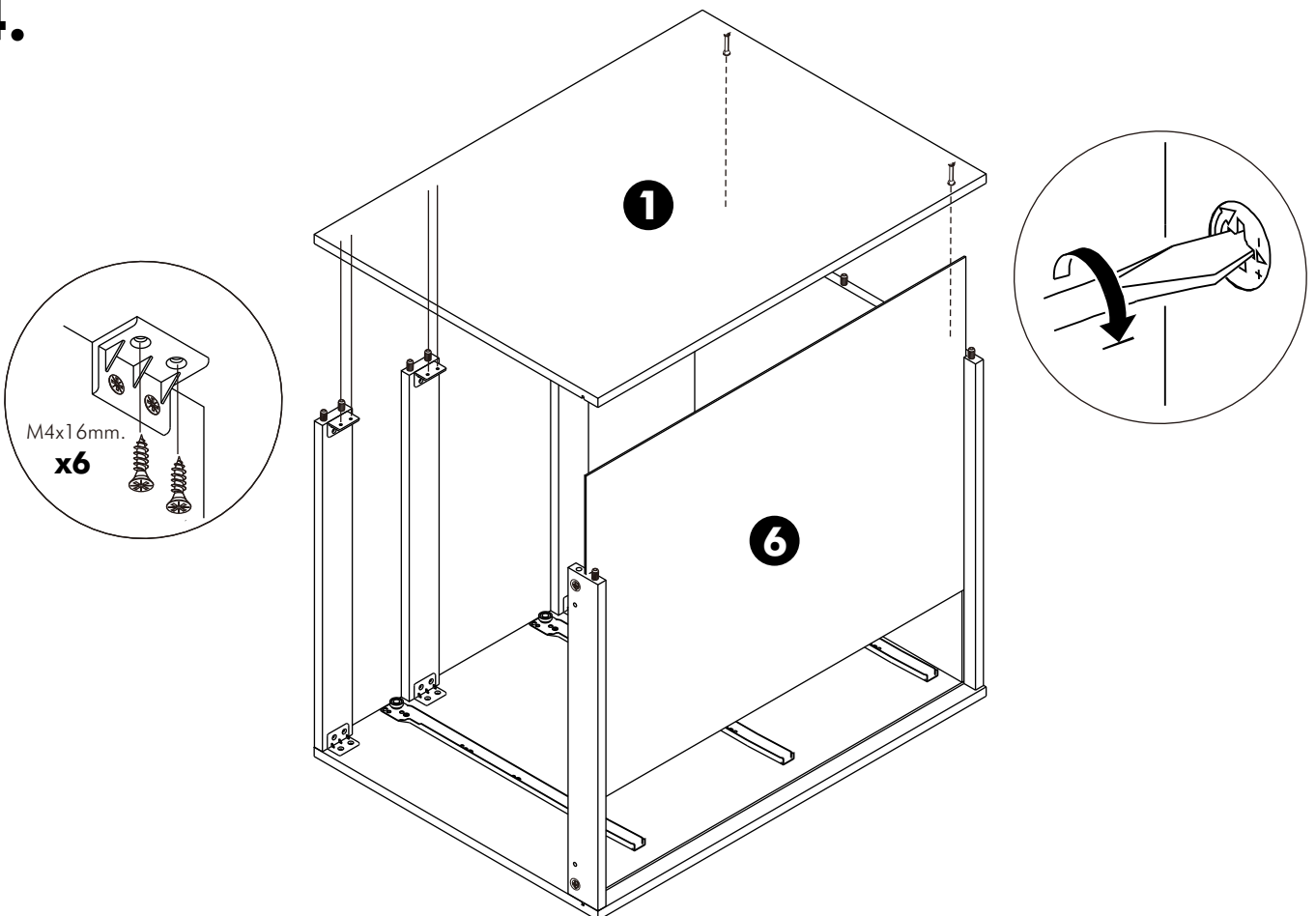
2.



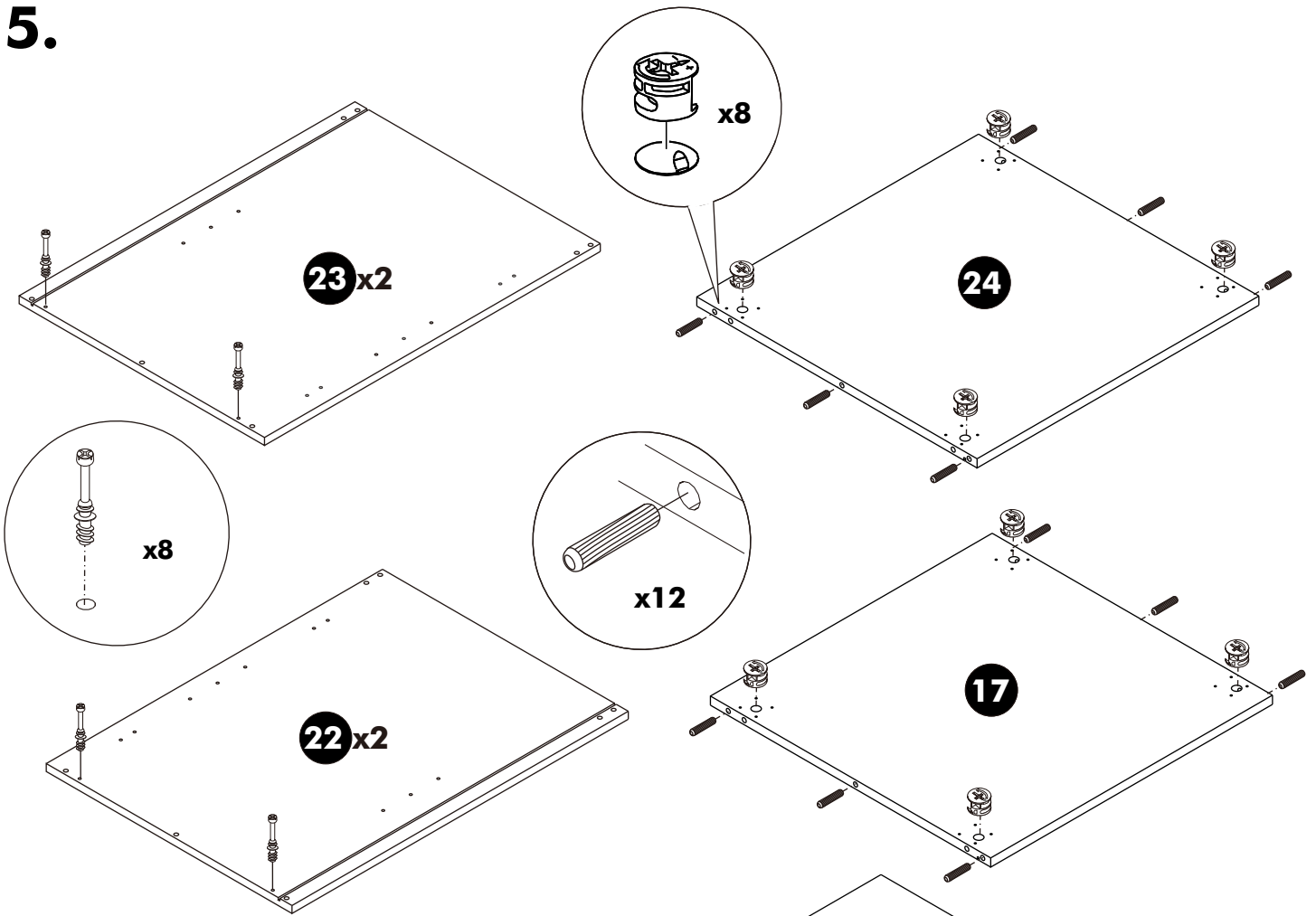
3.



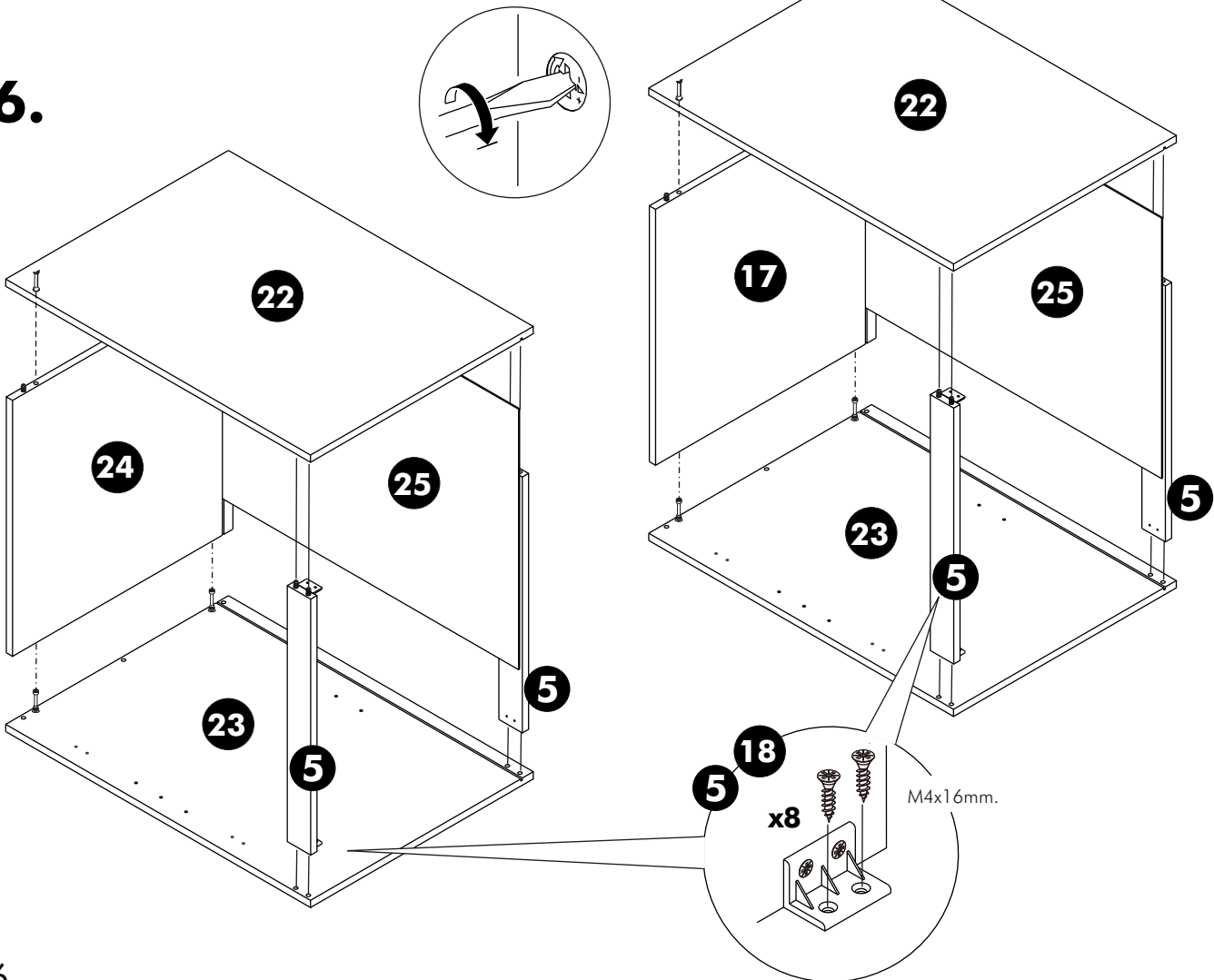
4.



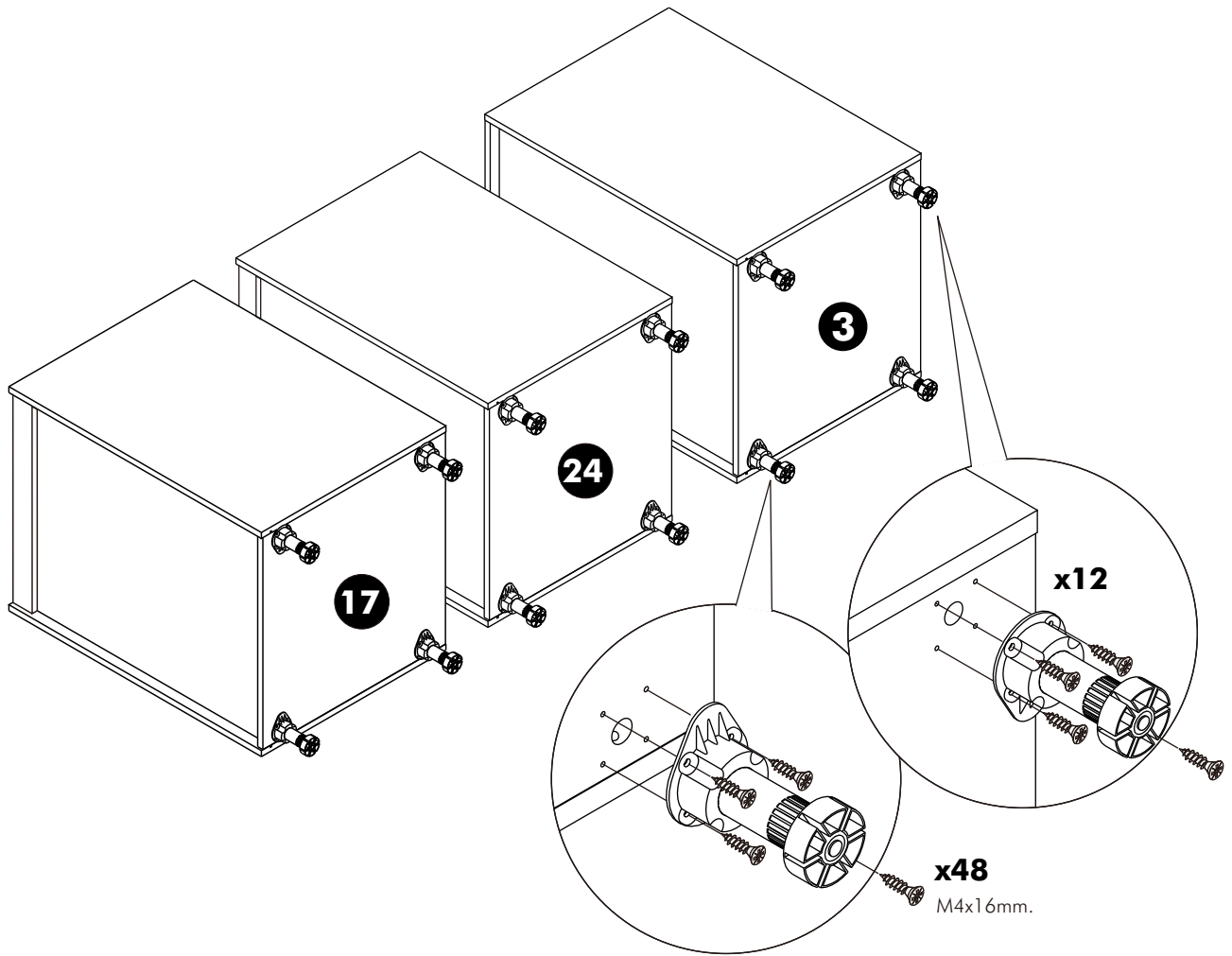
5.



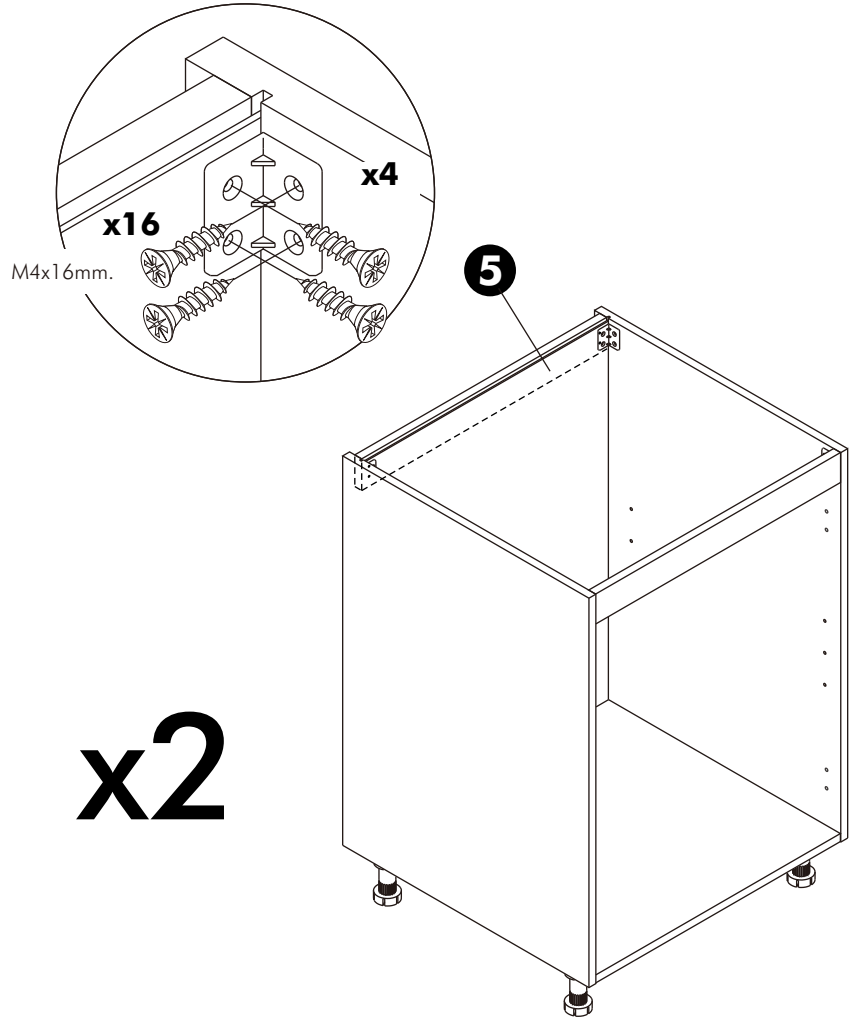
6.



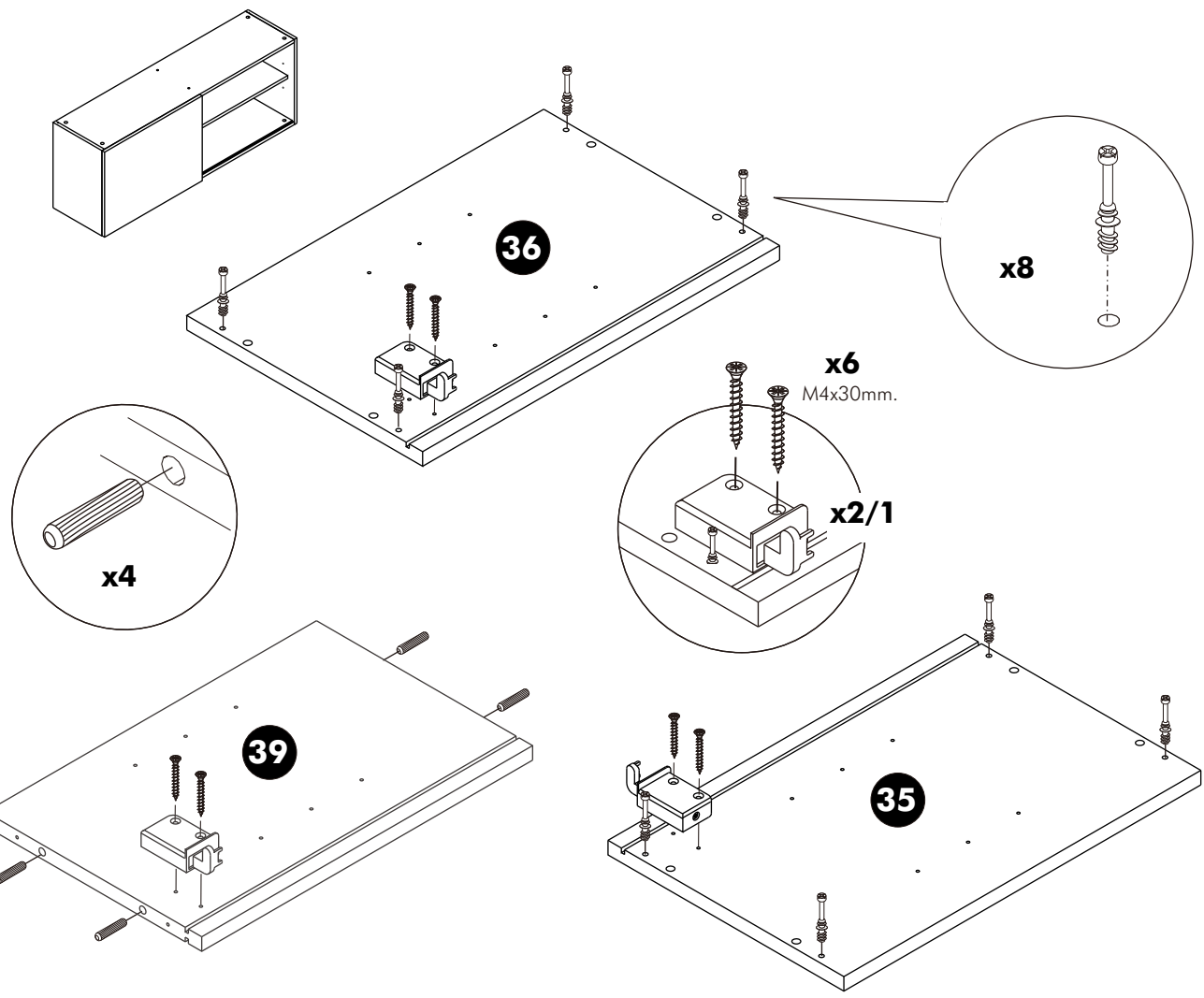
7.



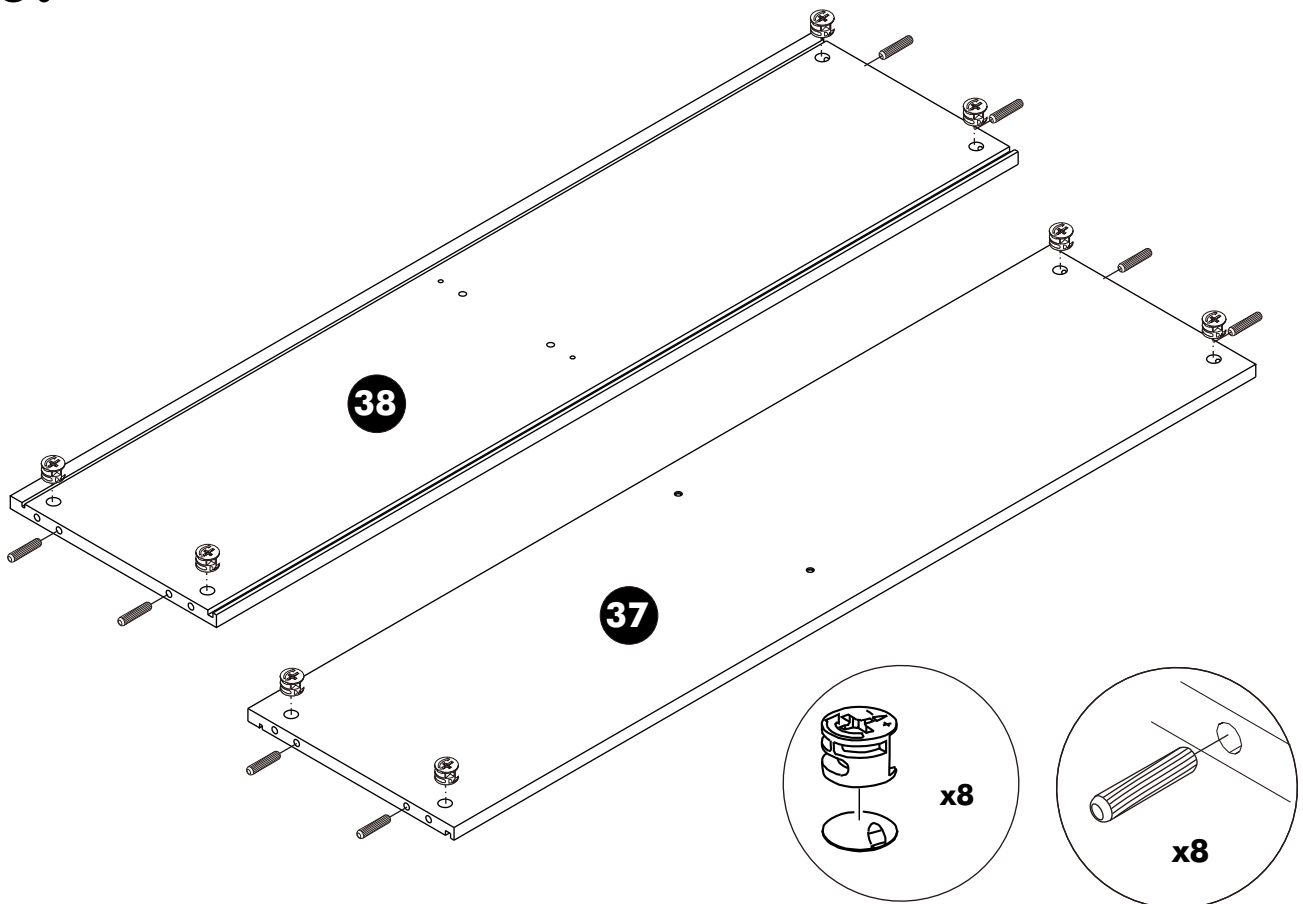
8.



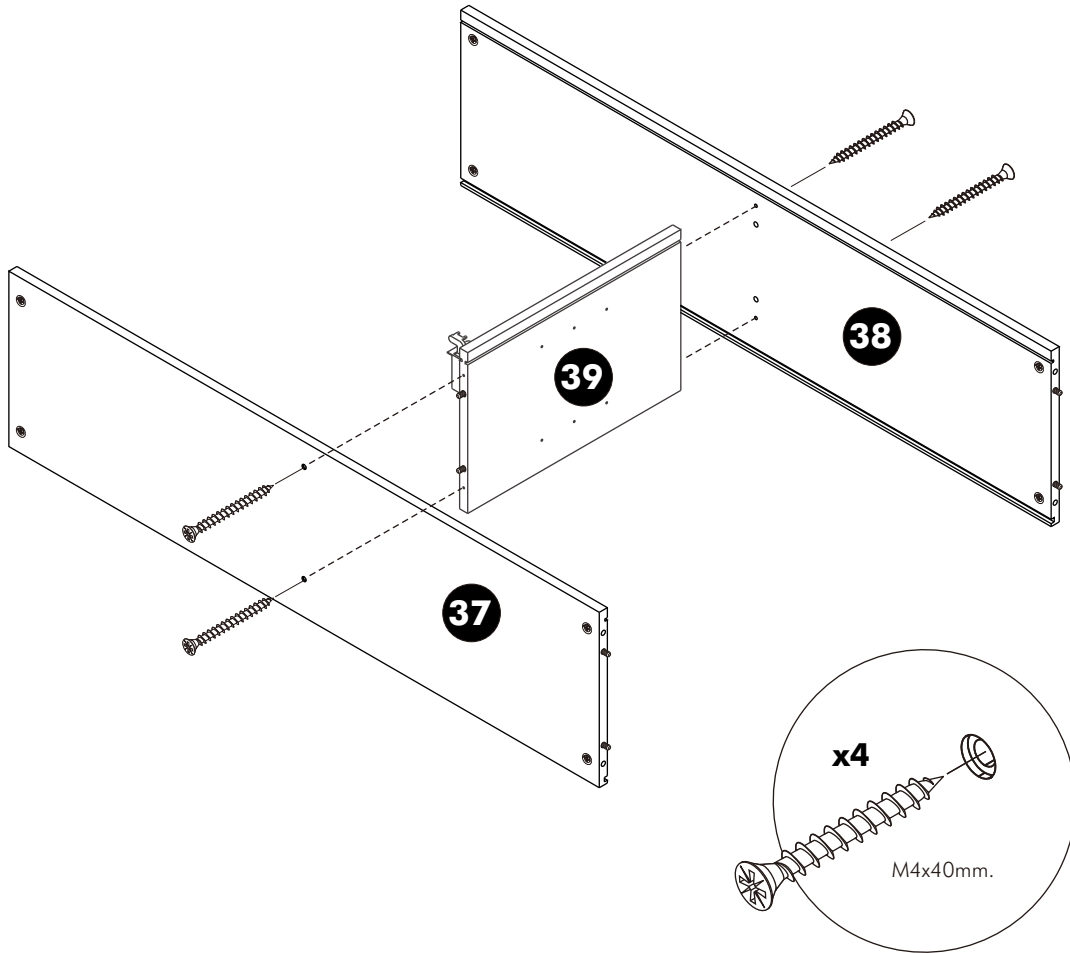
9.



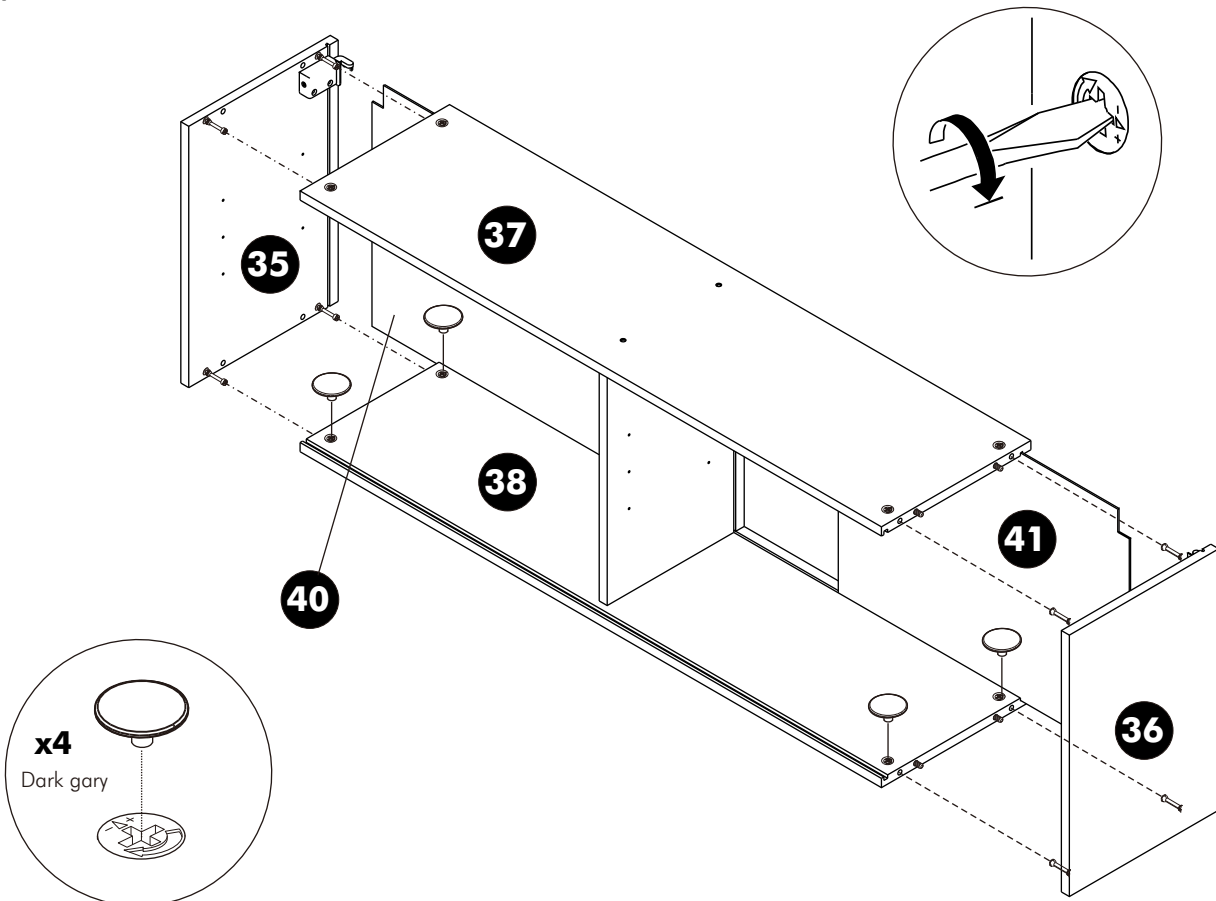
10.



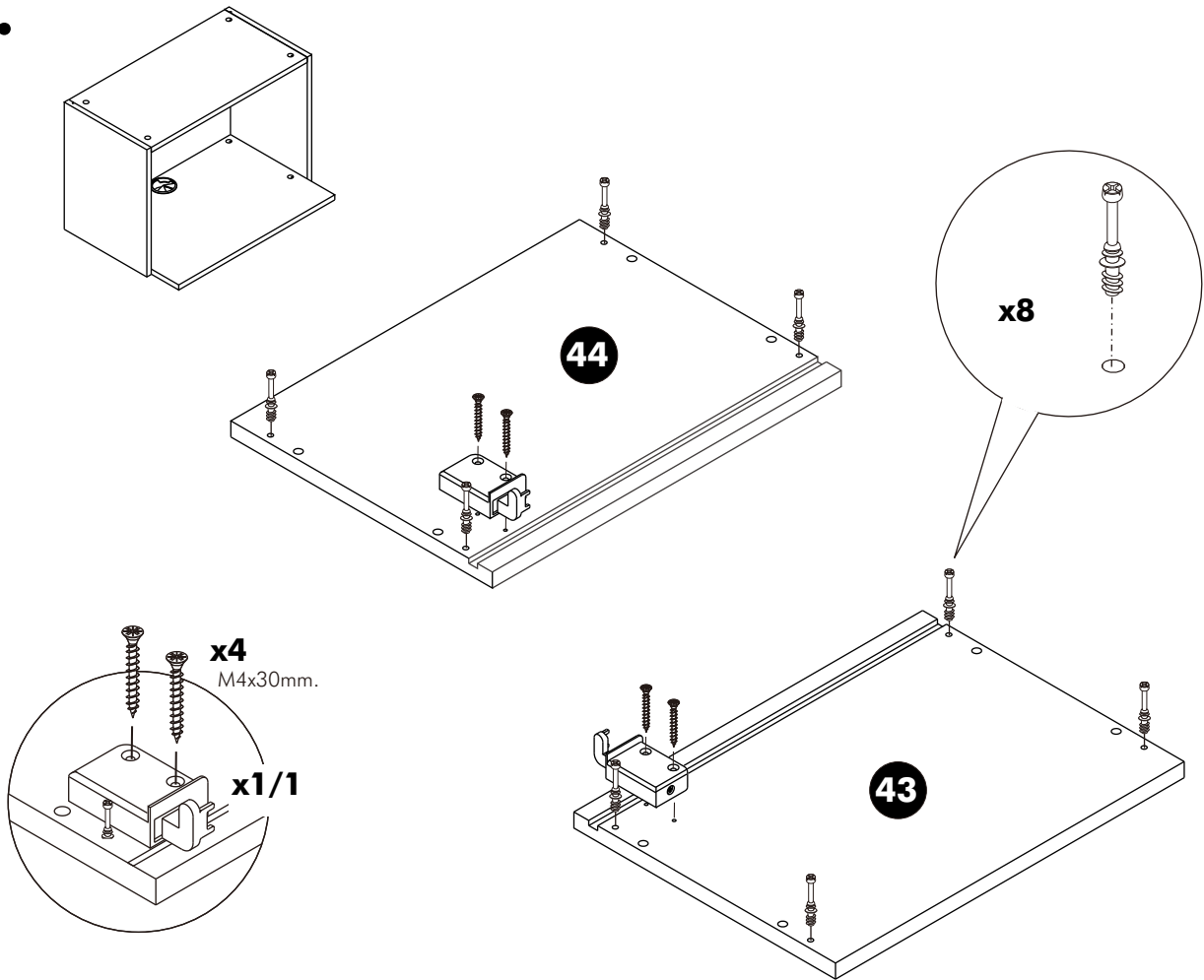
11.



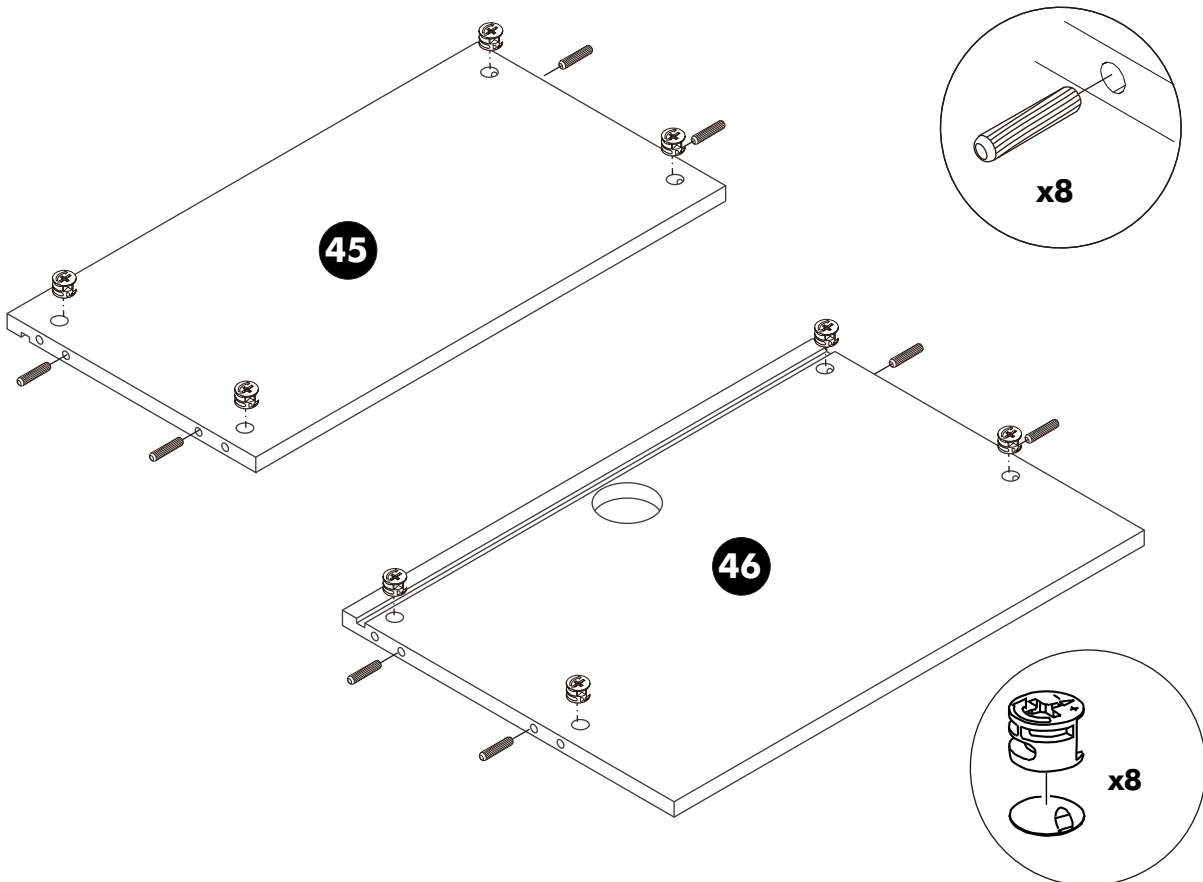
12.



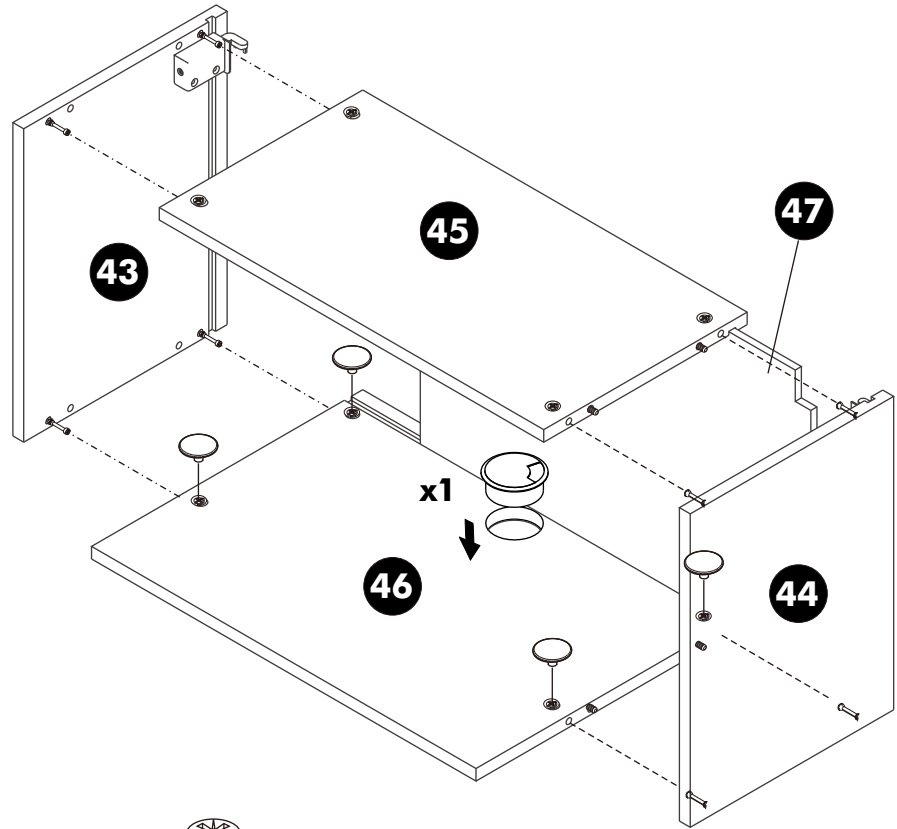
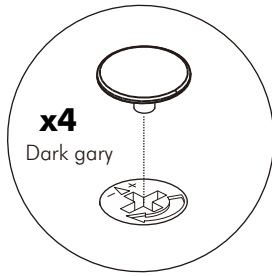
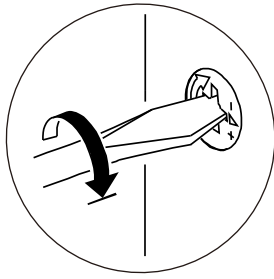
13.



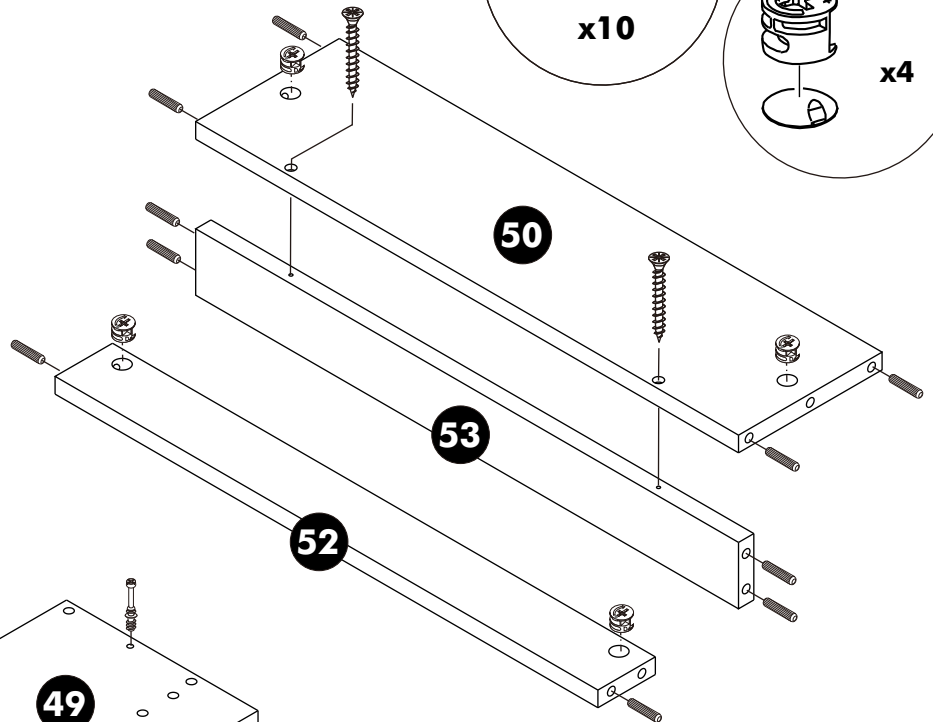
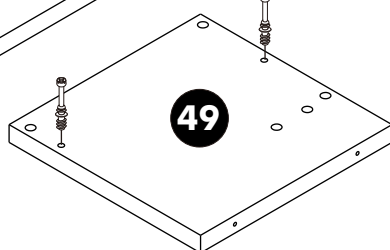
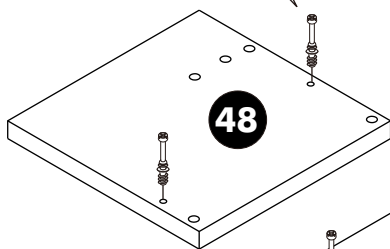
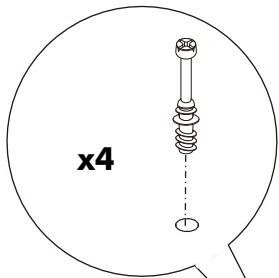
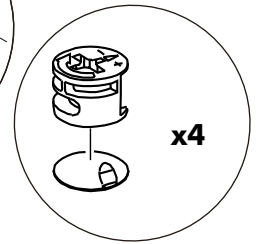
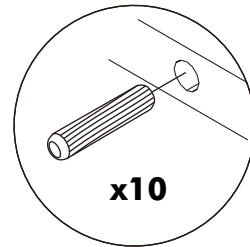
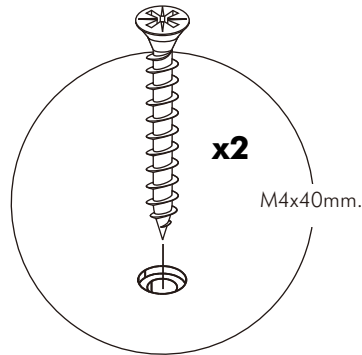
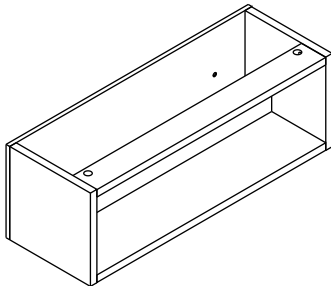
14.



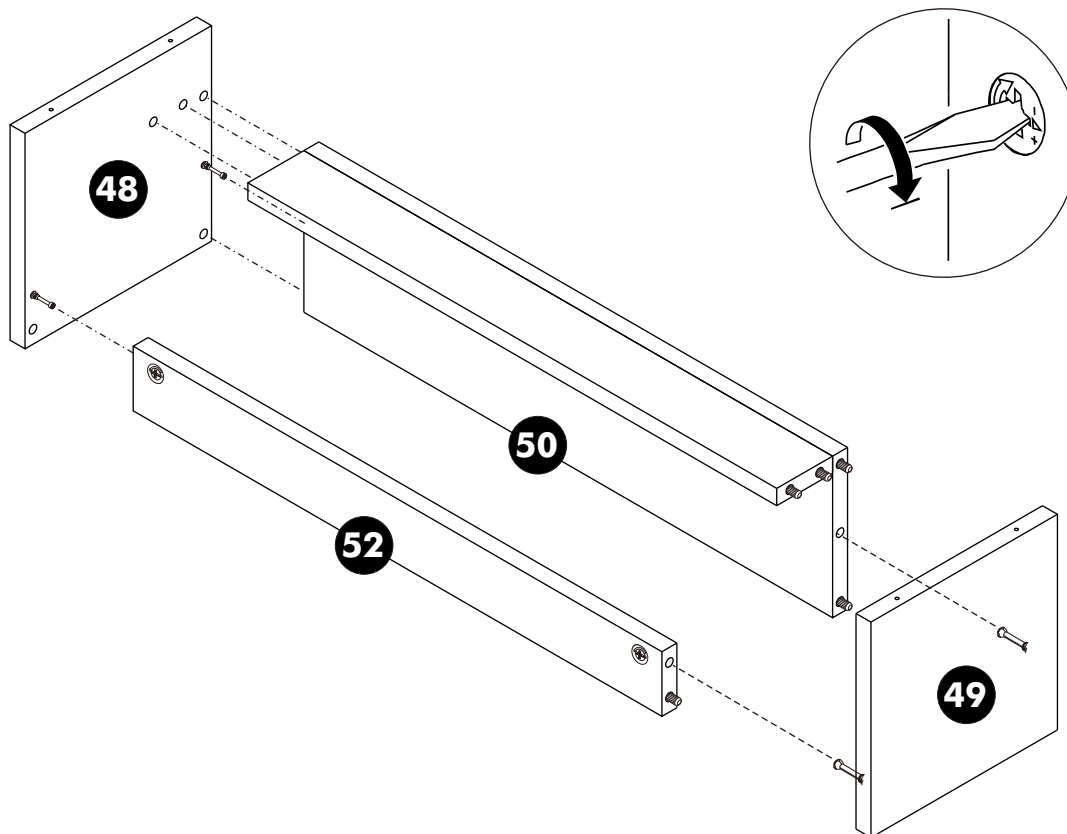
15.



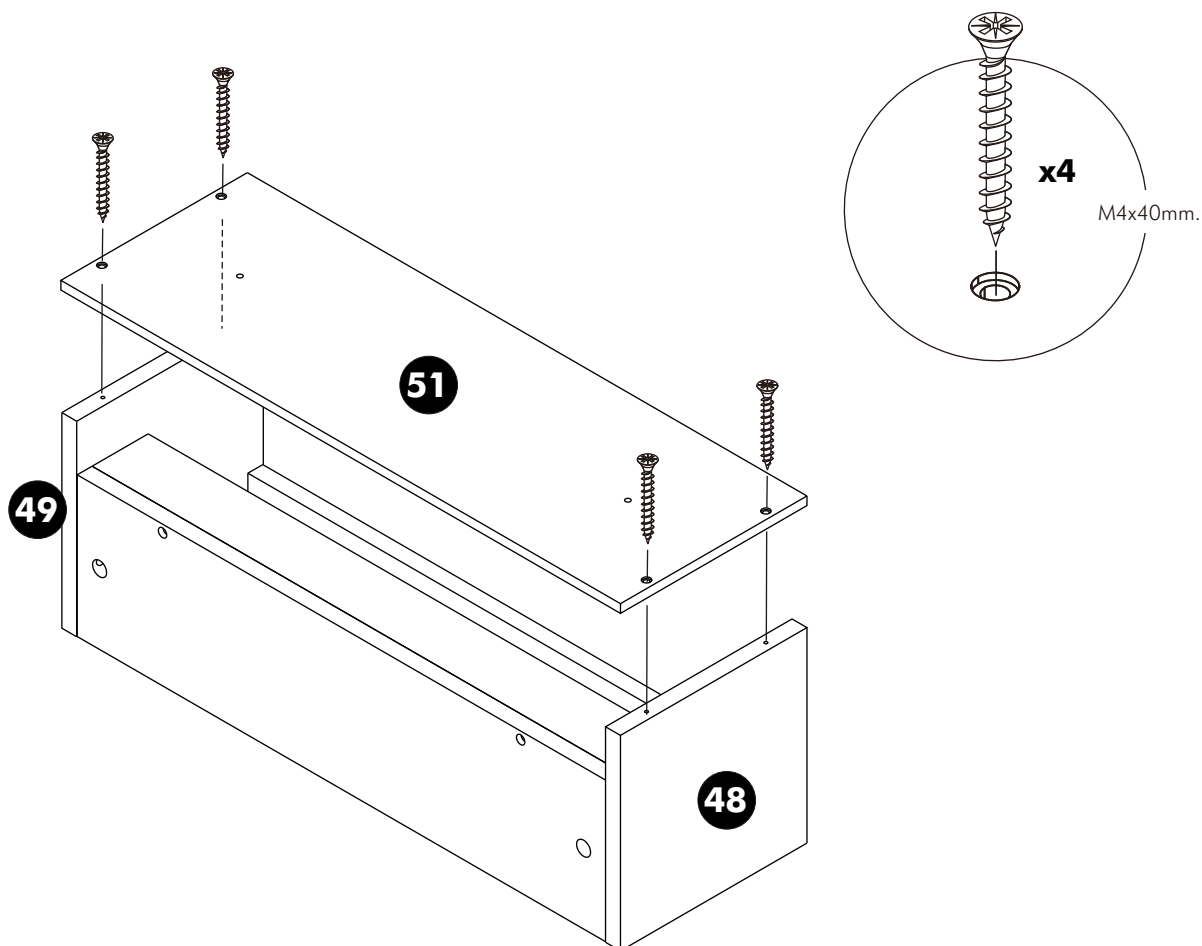
16.



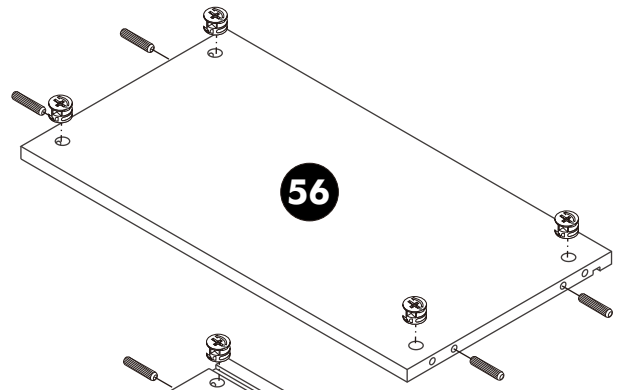
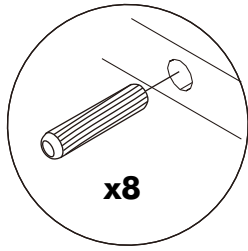
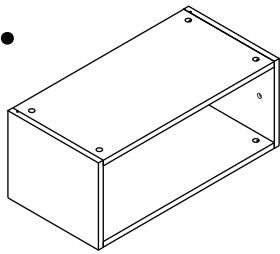
17.



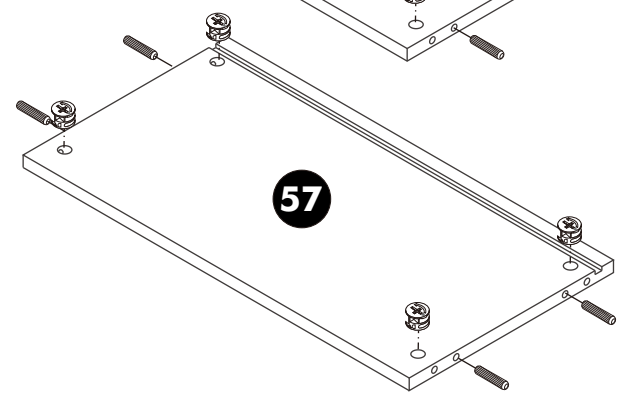
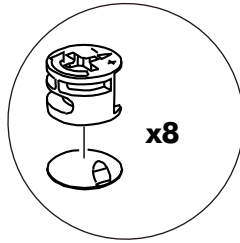
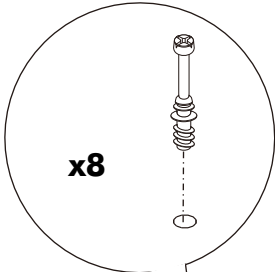
18.



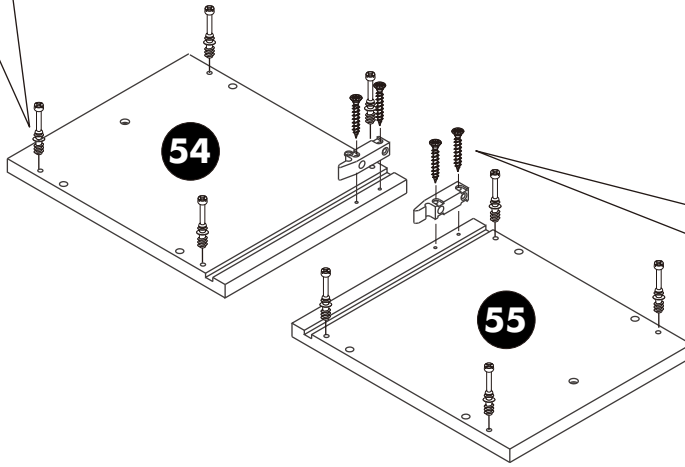
19.



56



57

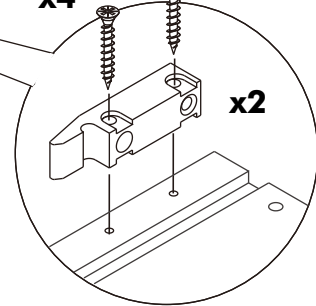


54

55

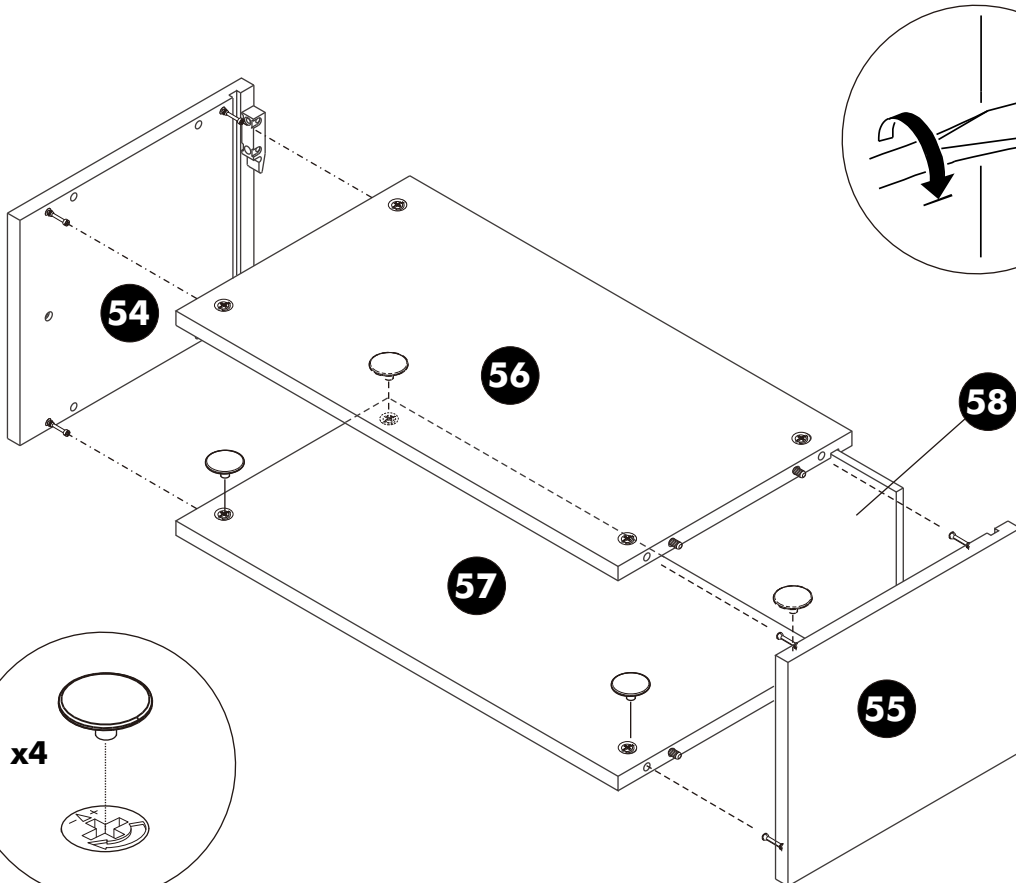
M4x25mm.

x4



x2

20.



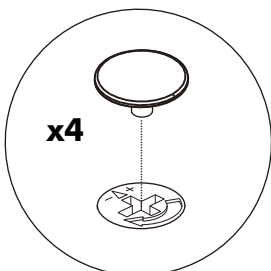
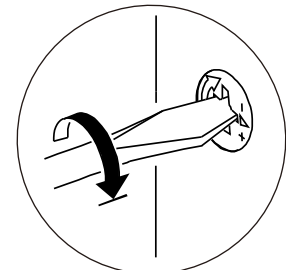
54

56

57

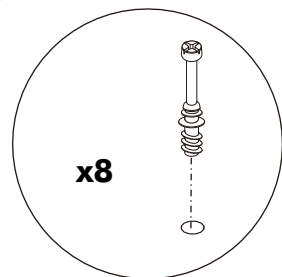
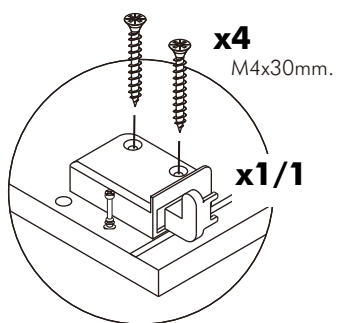
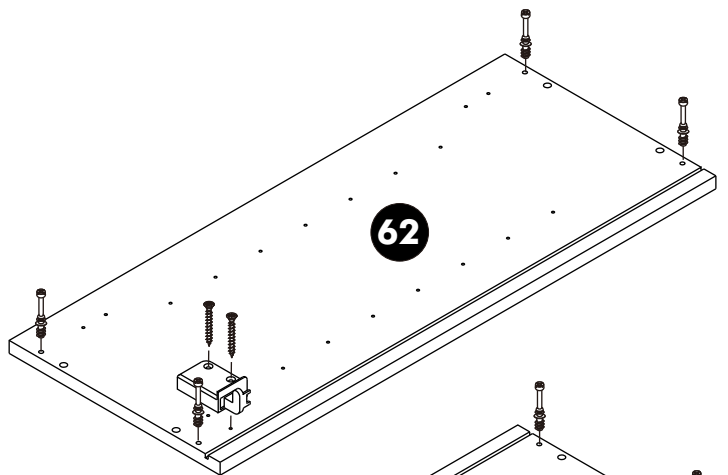
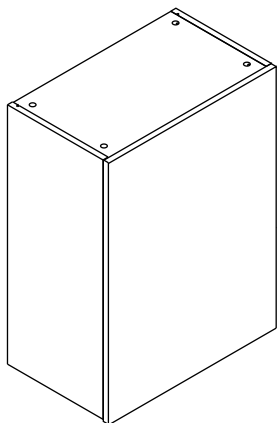
58

55

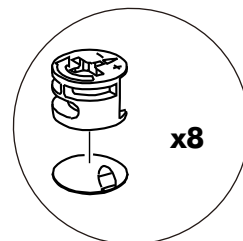
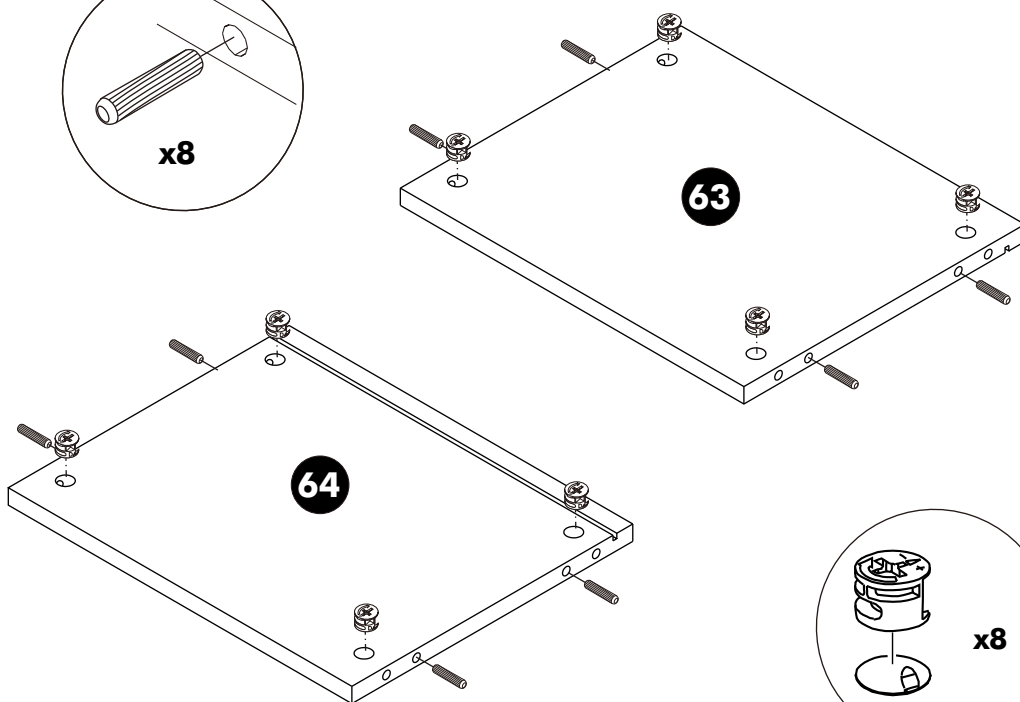
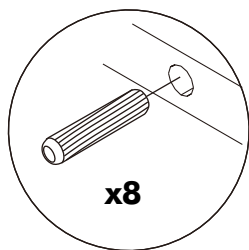


x4

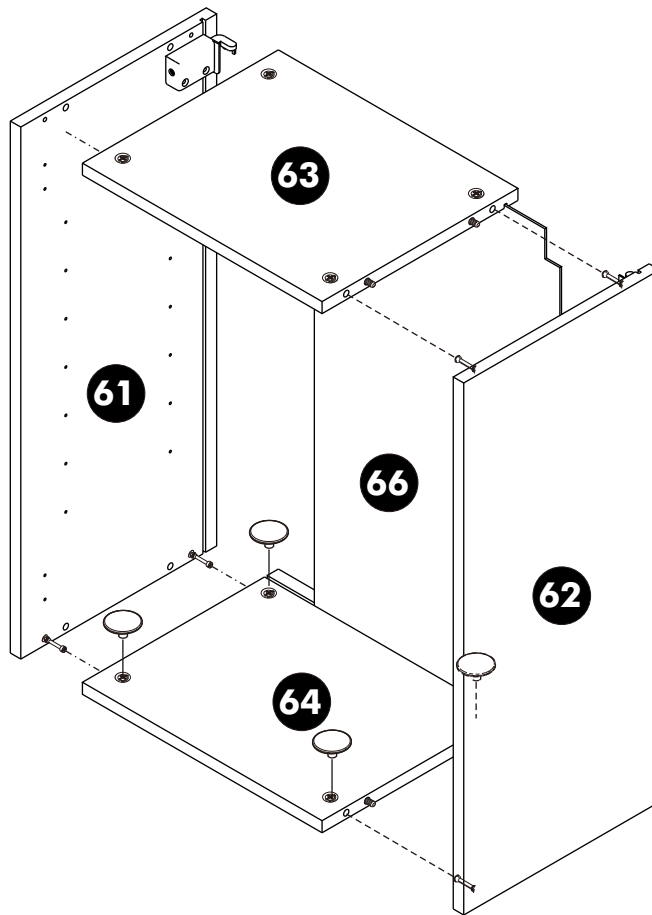
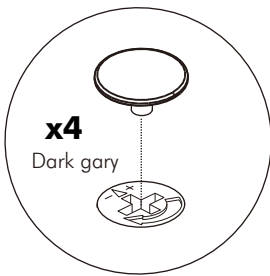
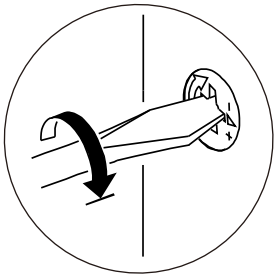
21.



22.

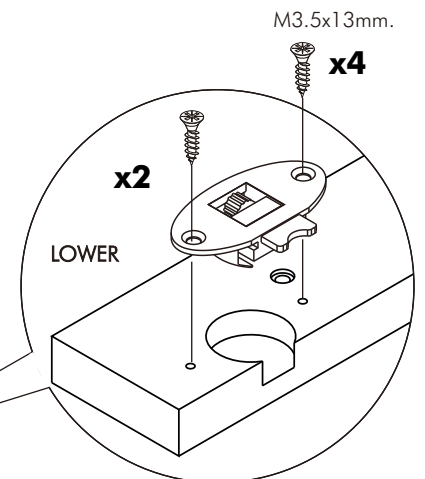
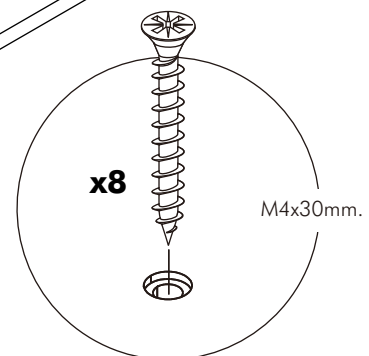
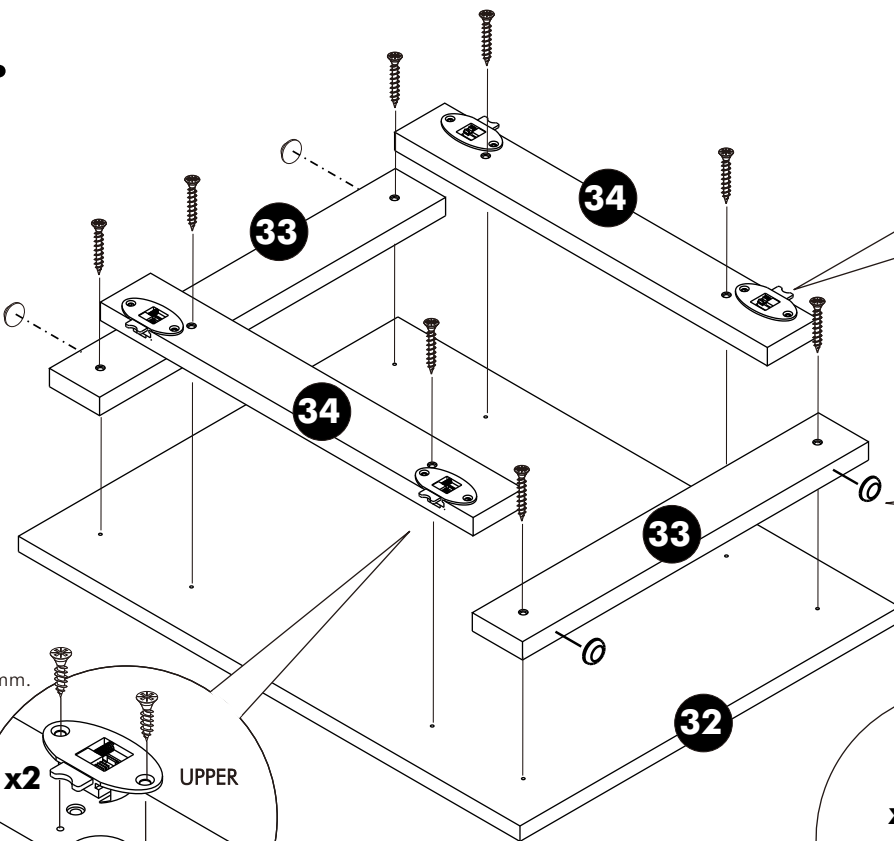
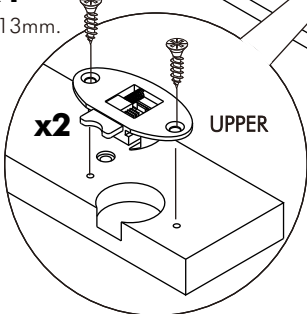


23.



24.

x4
M3.5x13mm.

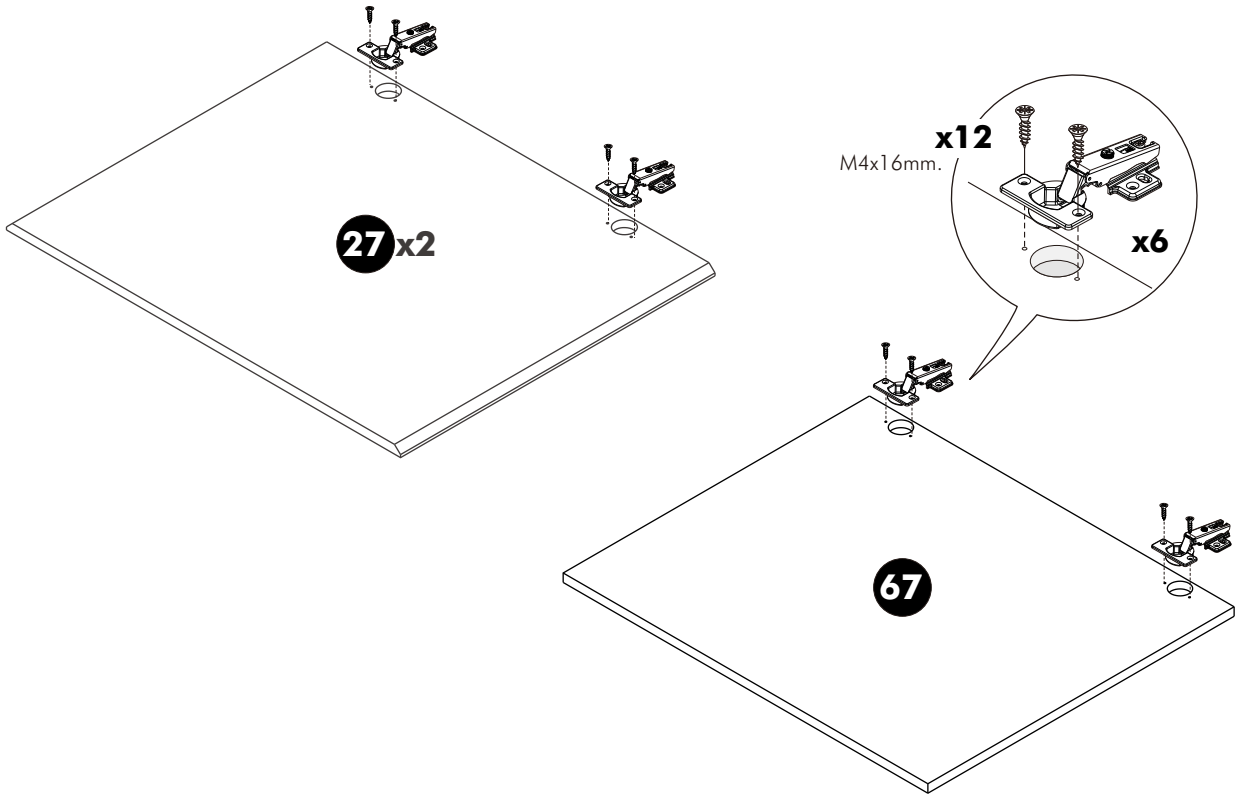


M3.5x13mm.

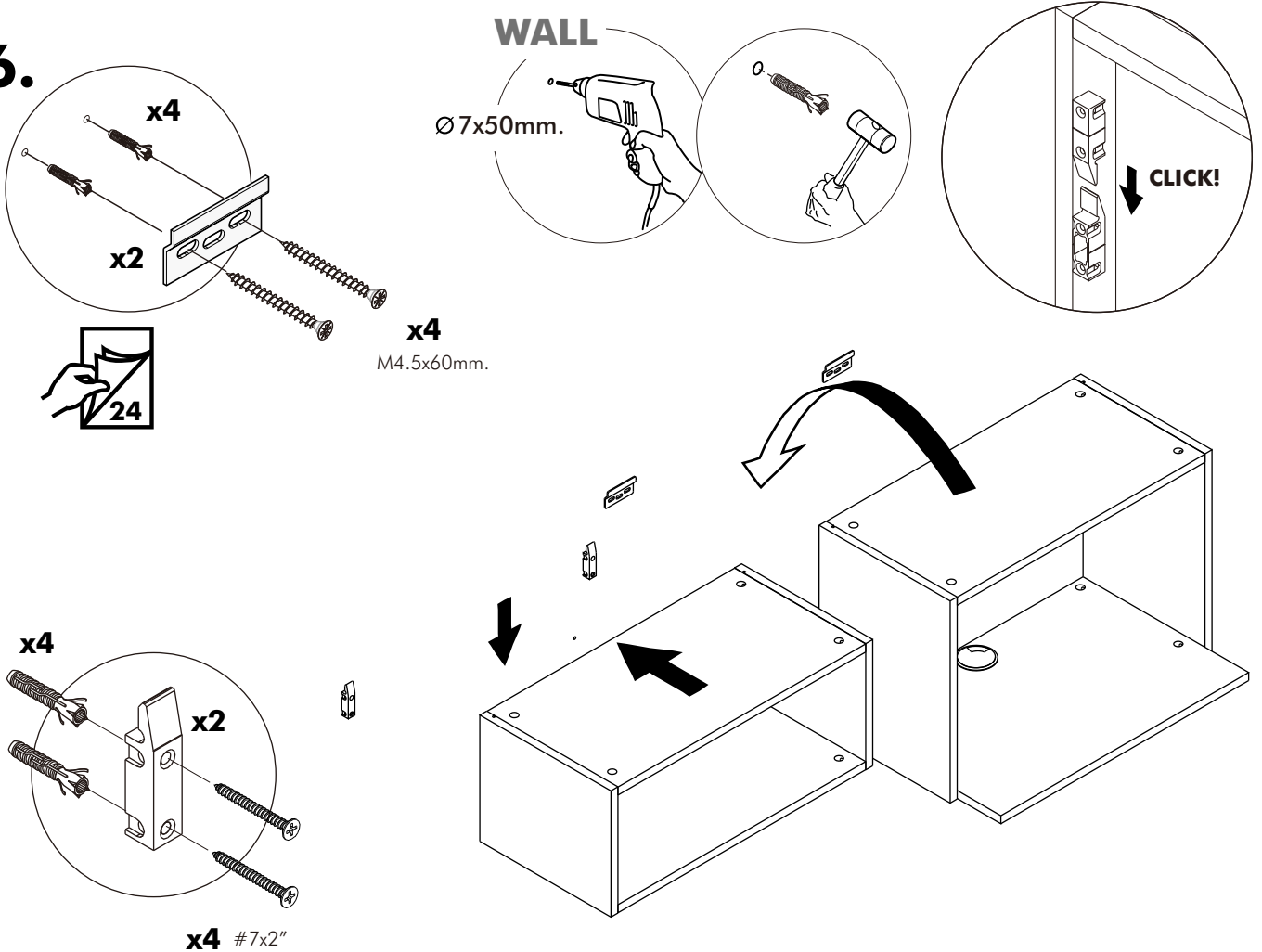
x4

x4

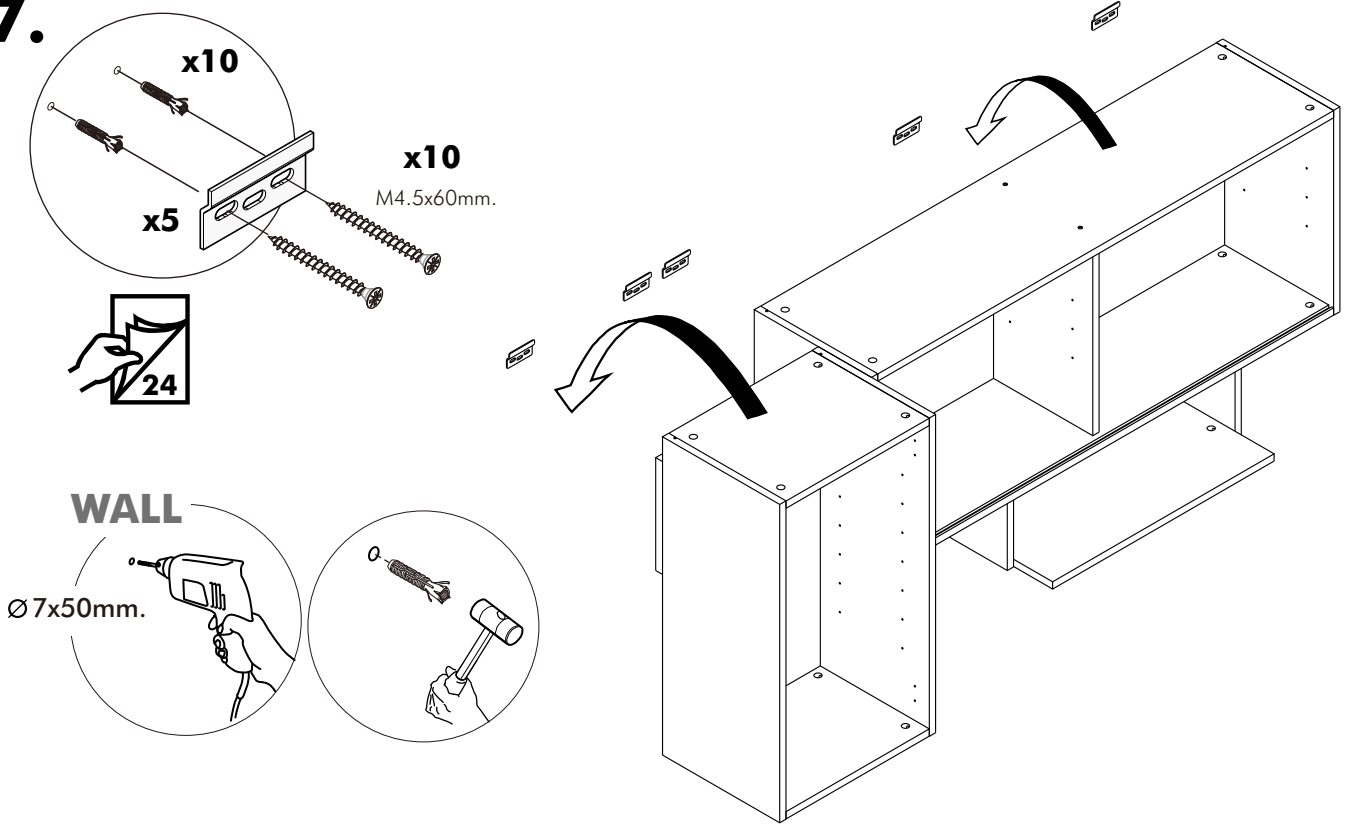
25.



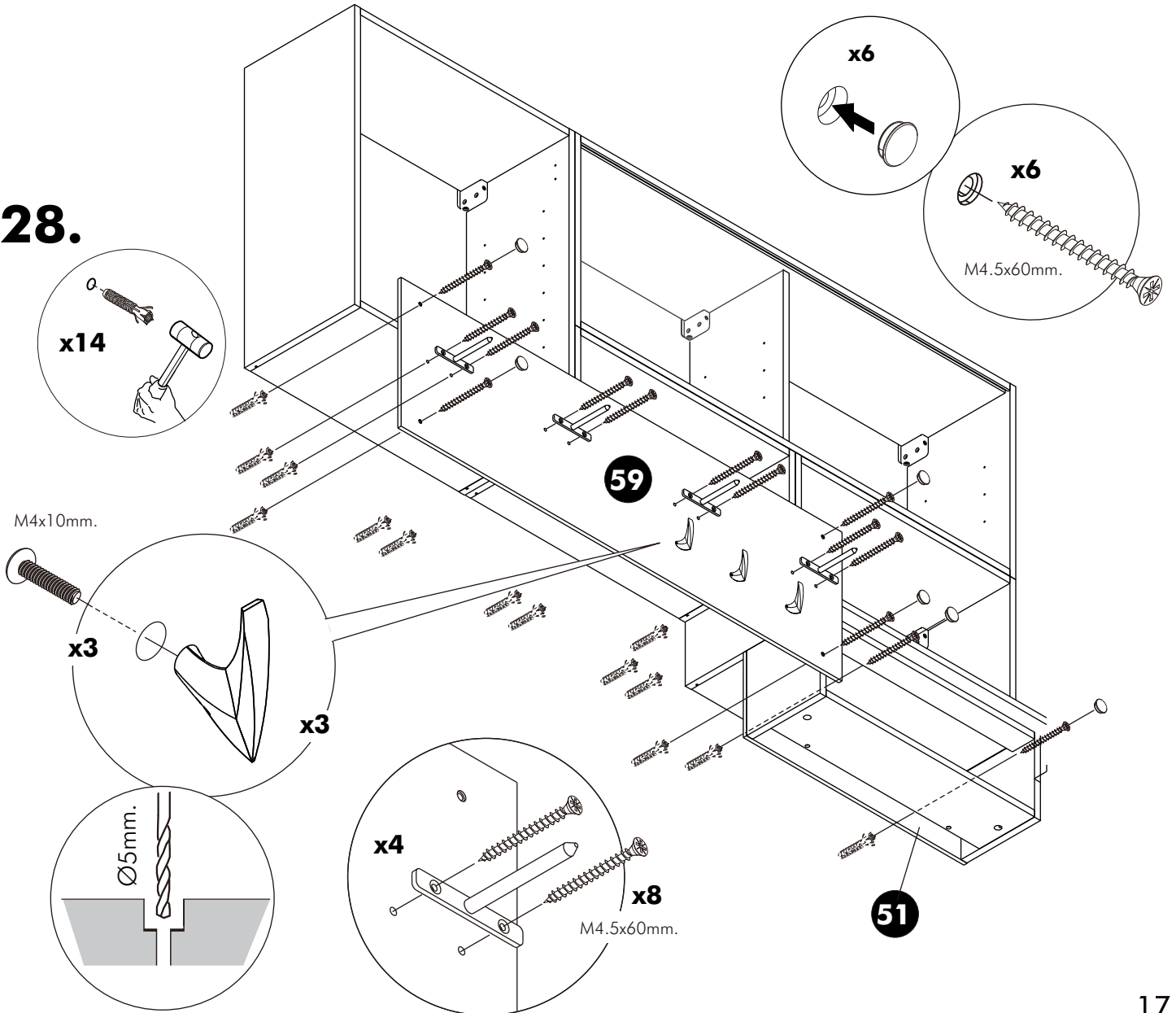
26.



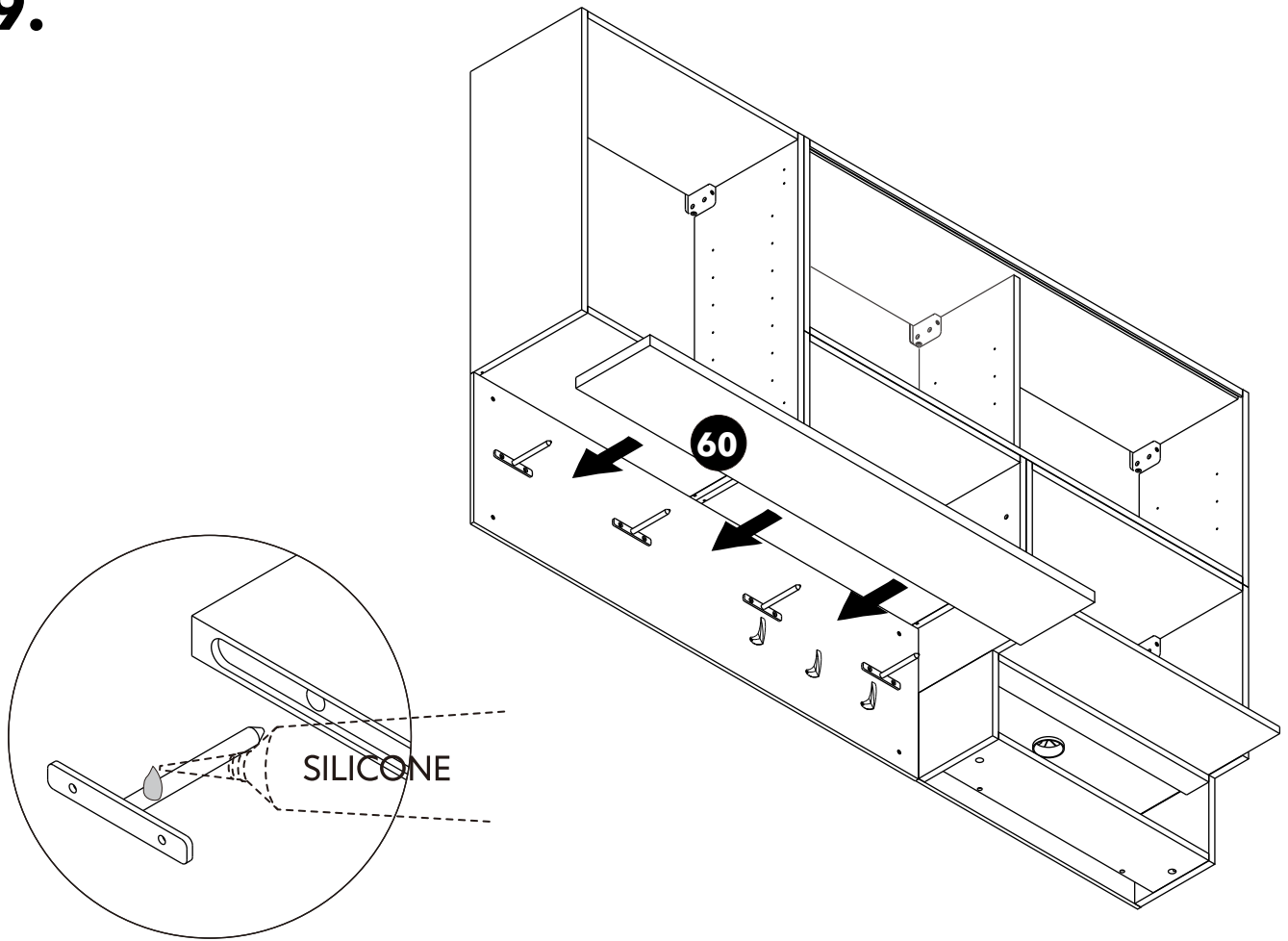
27.



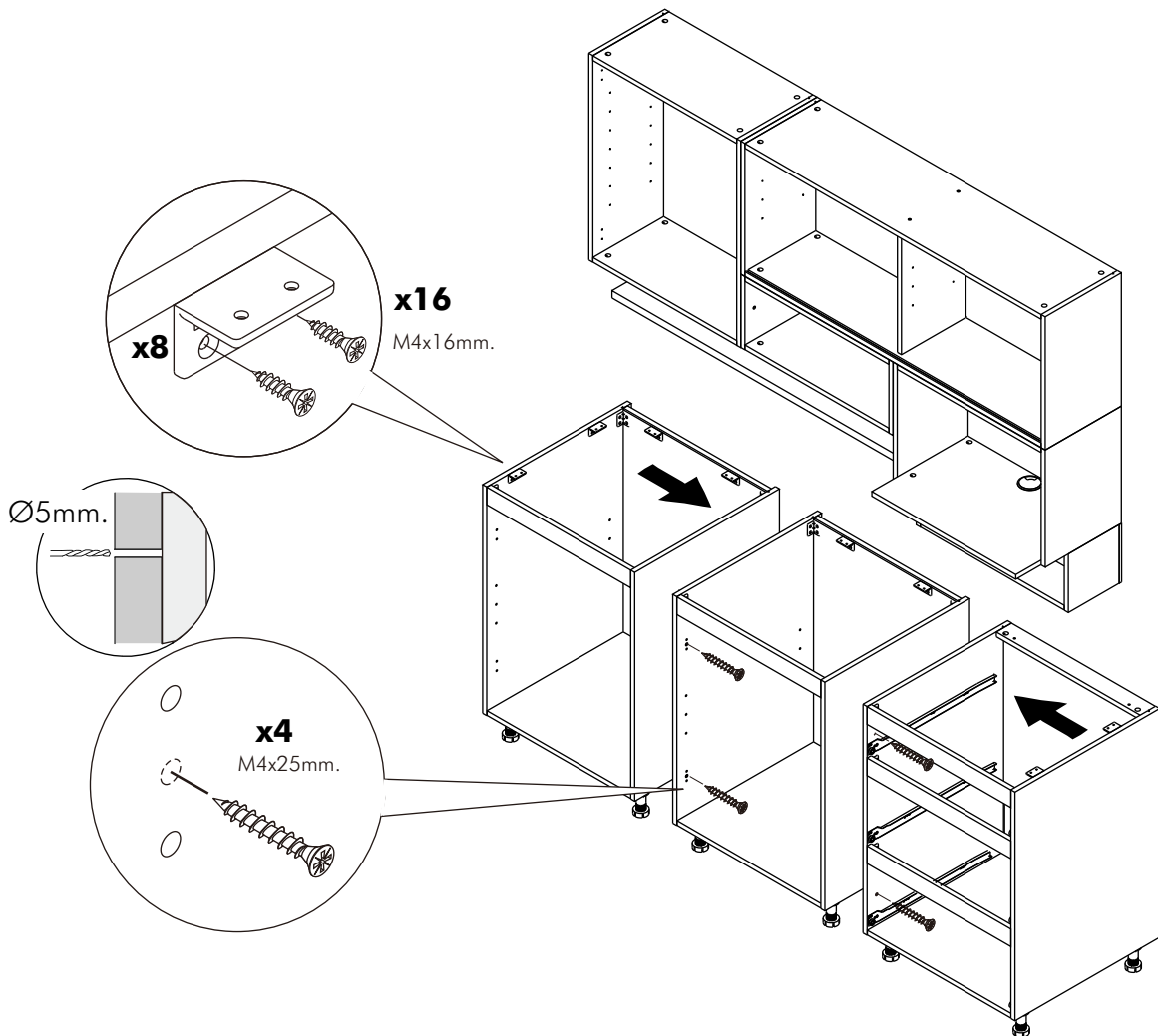
28.



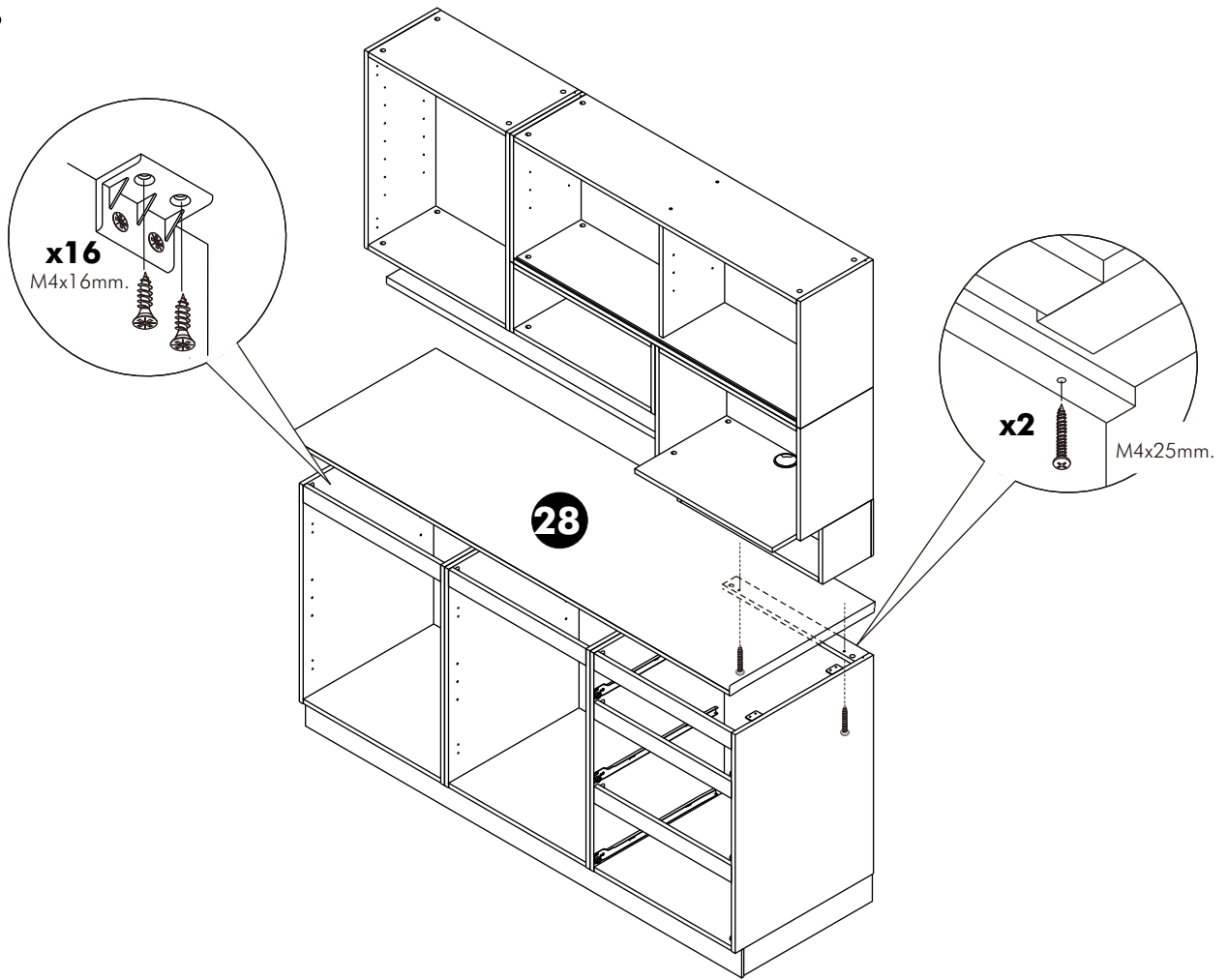
29.



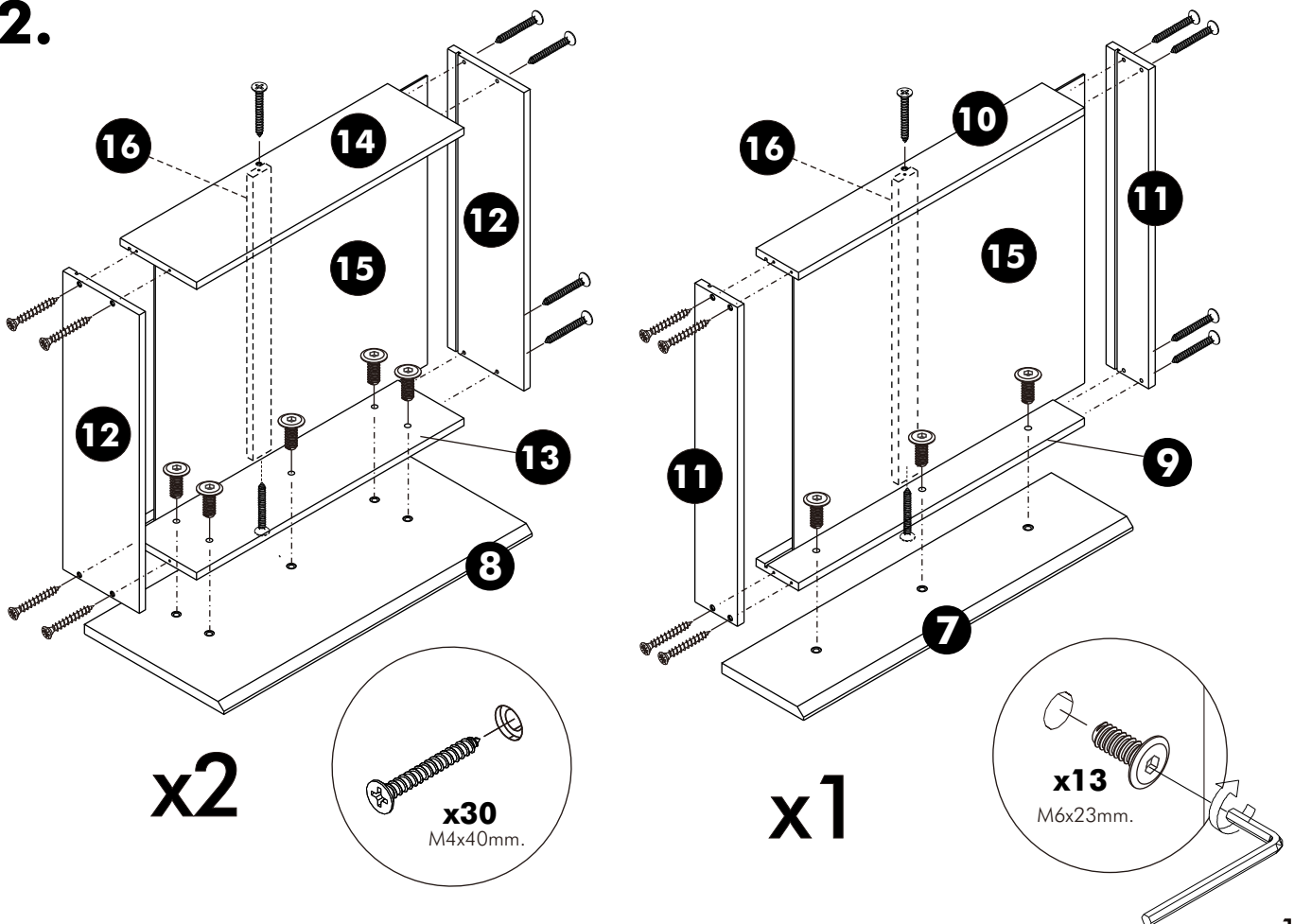
30.



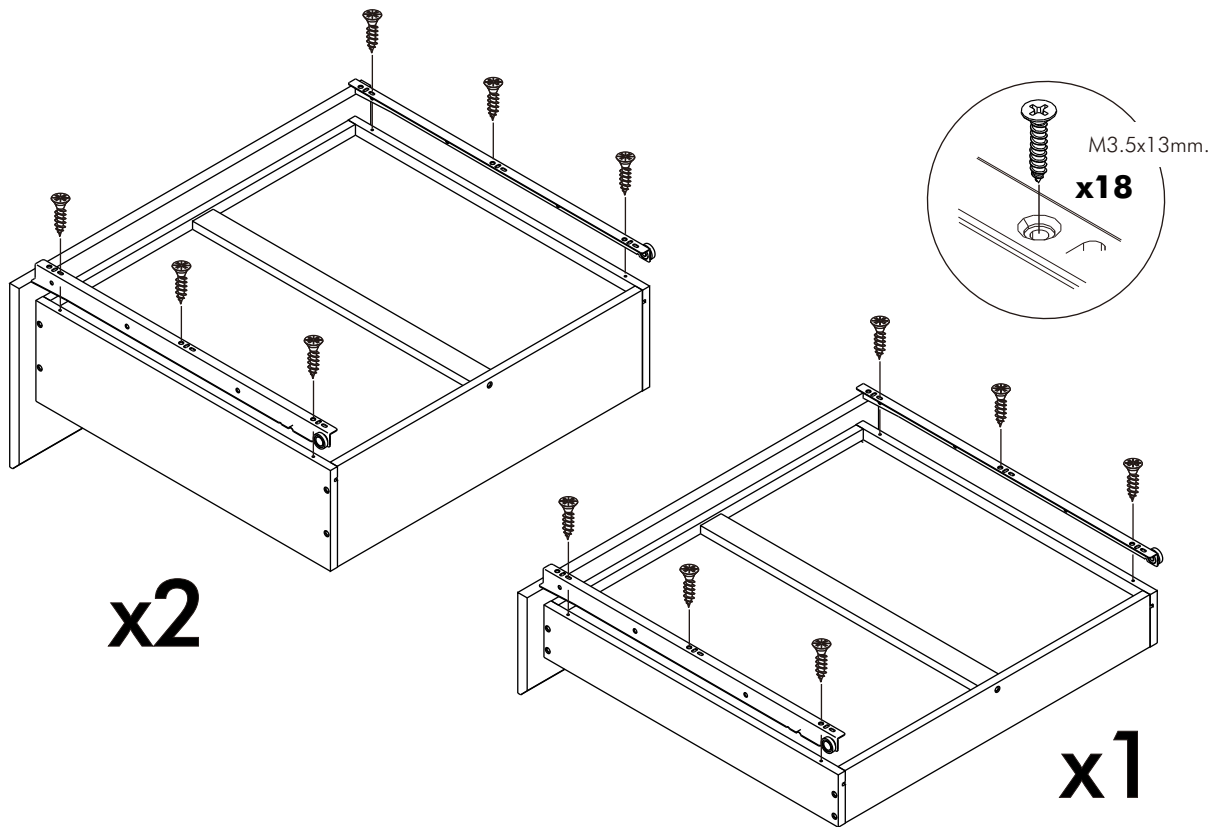
31.



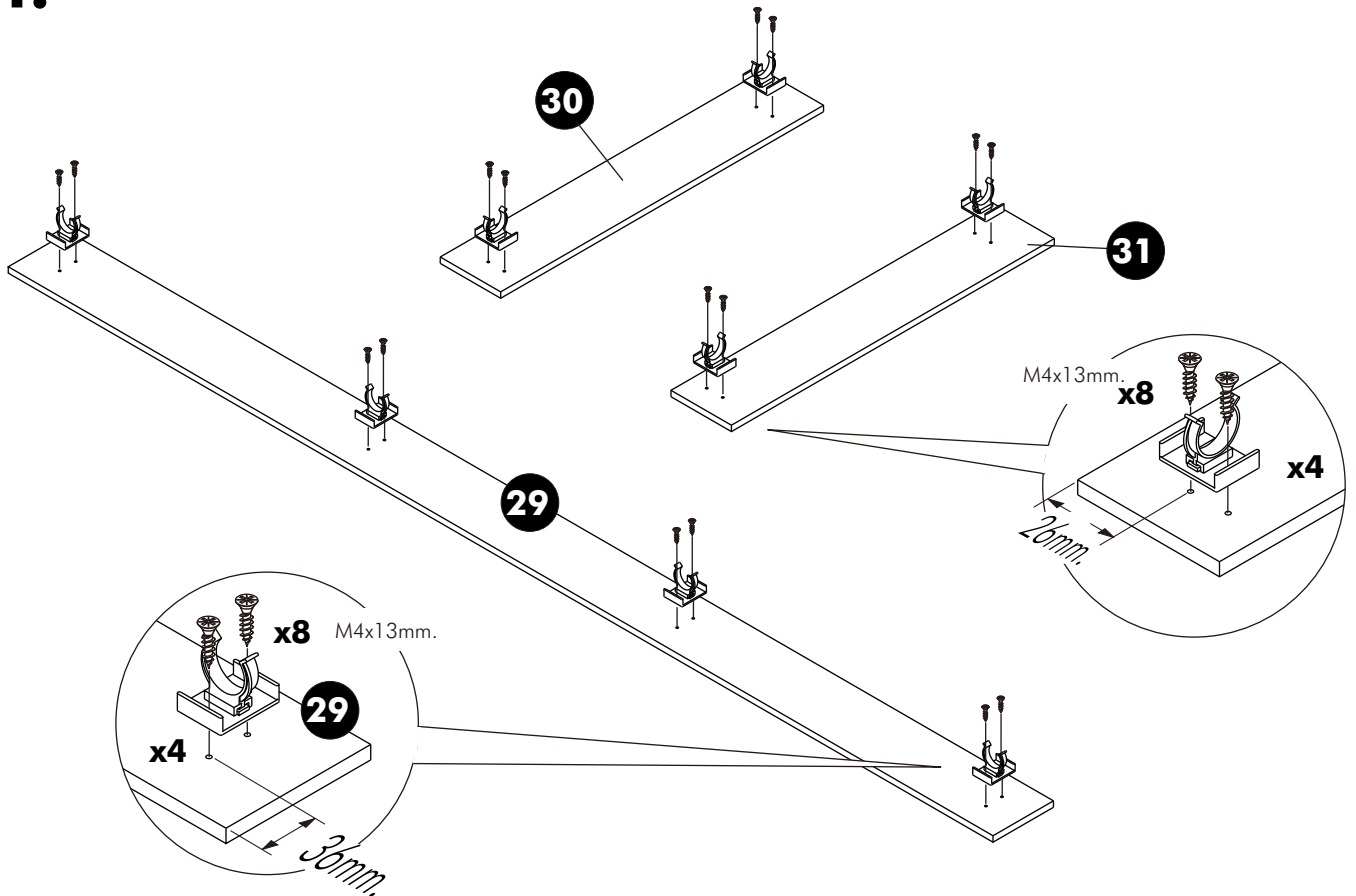
32.



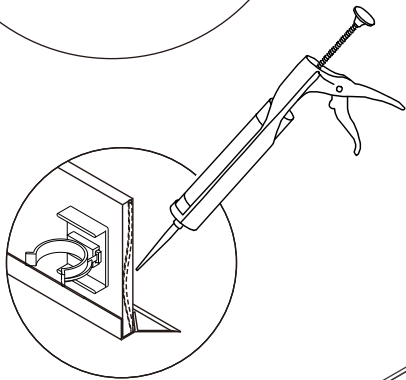
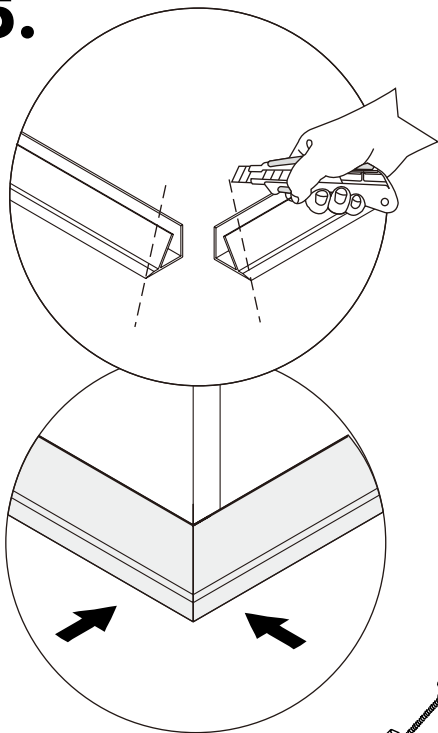
33.



34.



35.



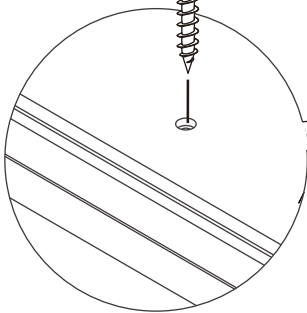
30

29

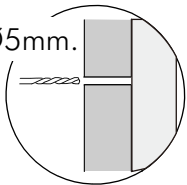
31

36.

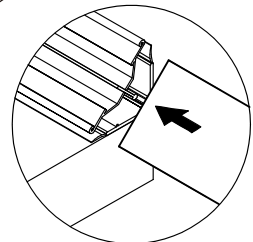
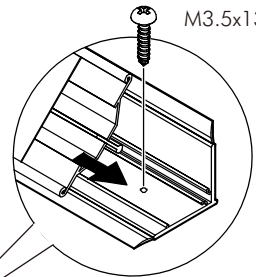
x2
M4x25mm.



Ø5mm.



x5
M3.5x13mm.

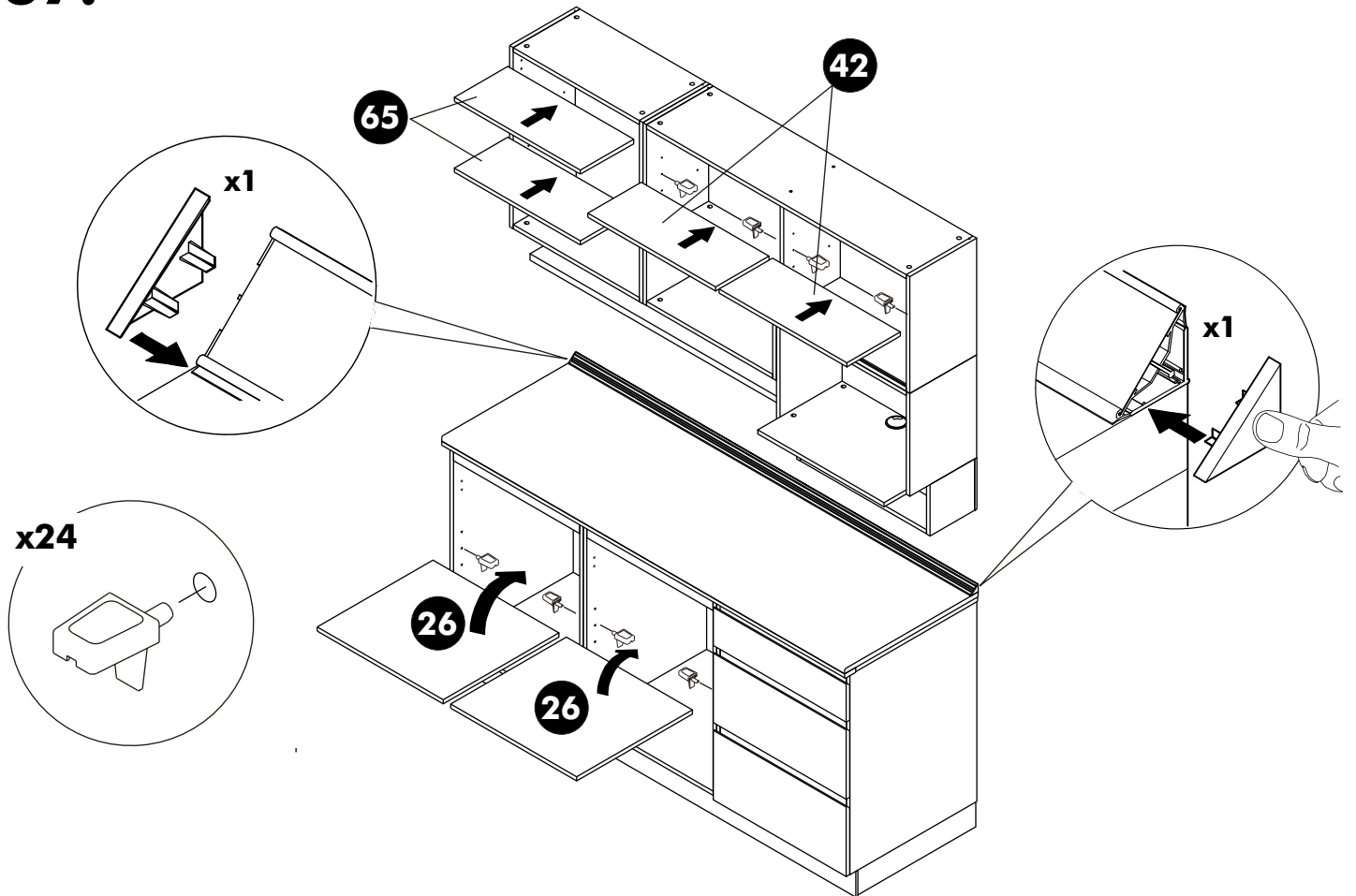


7

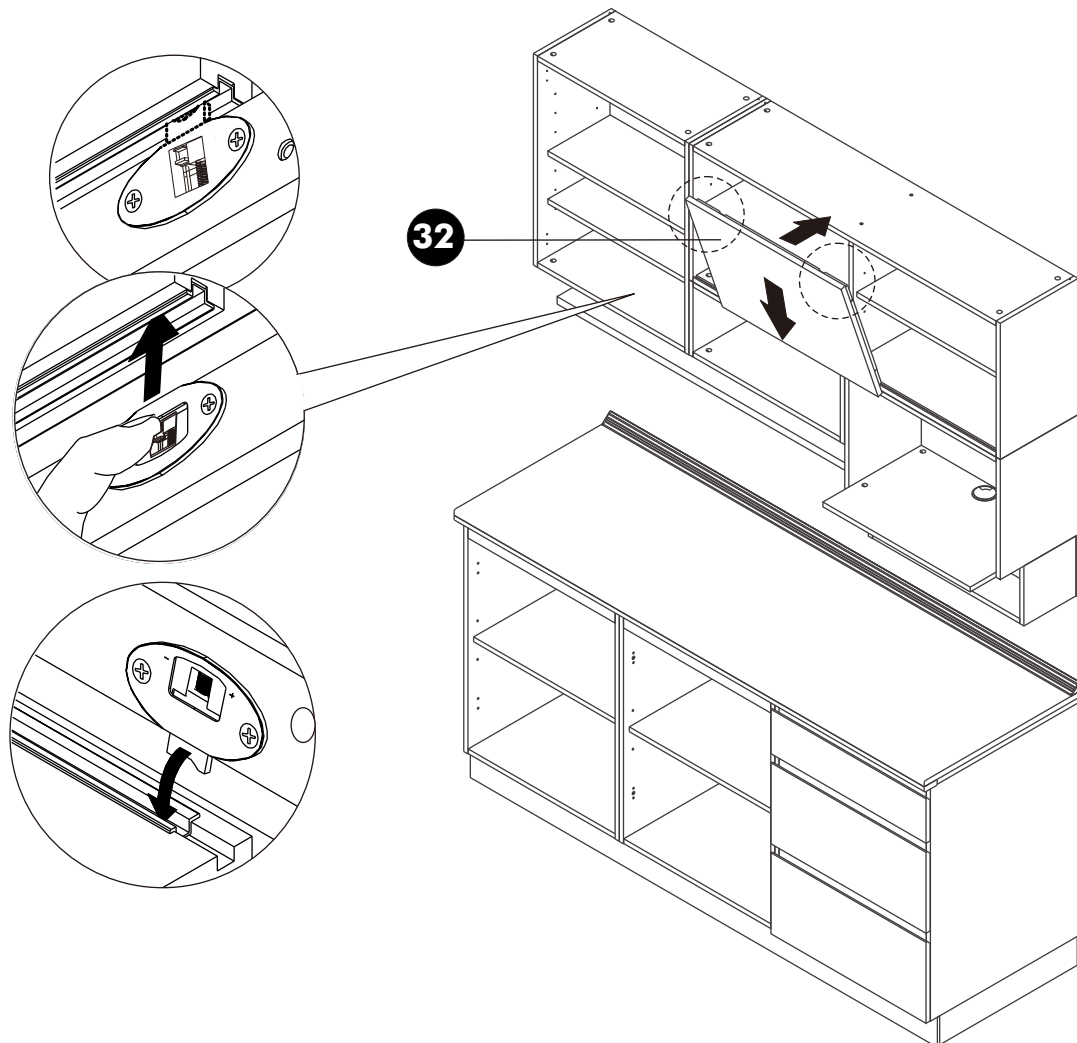
8

8

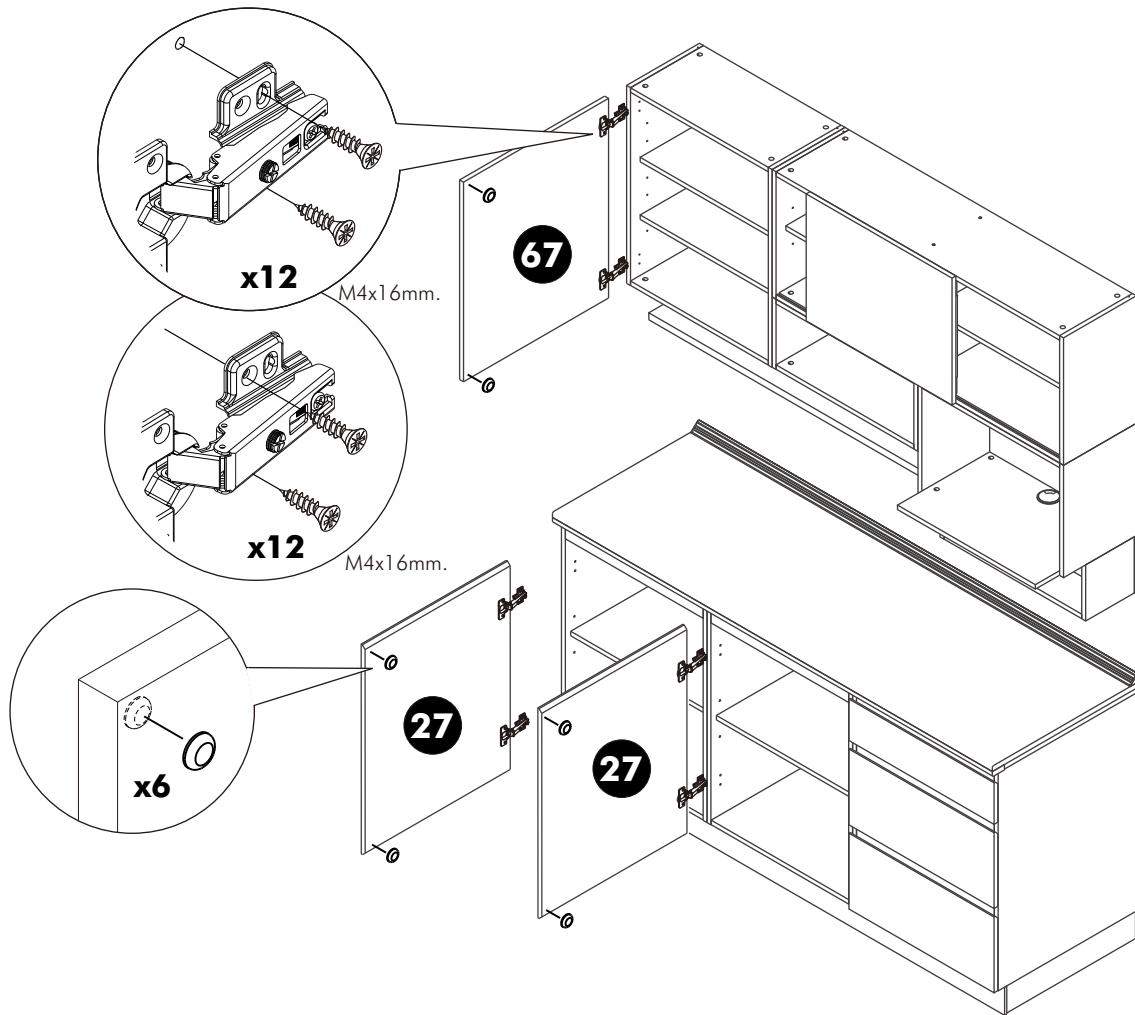
37.



38.



39.



40.

