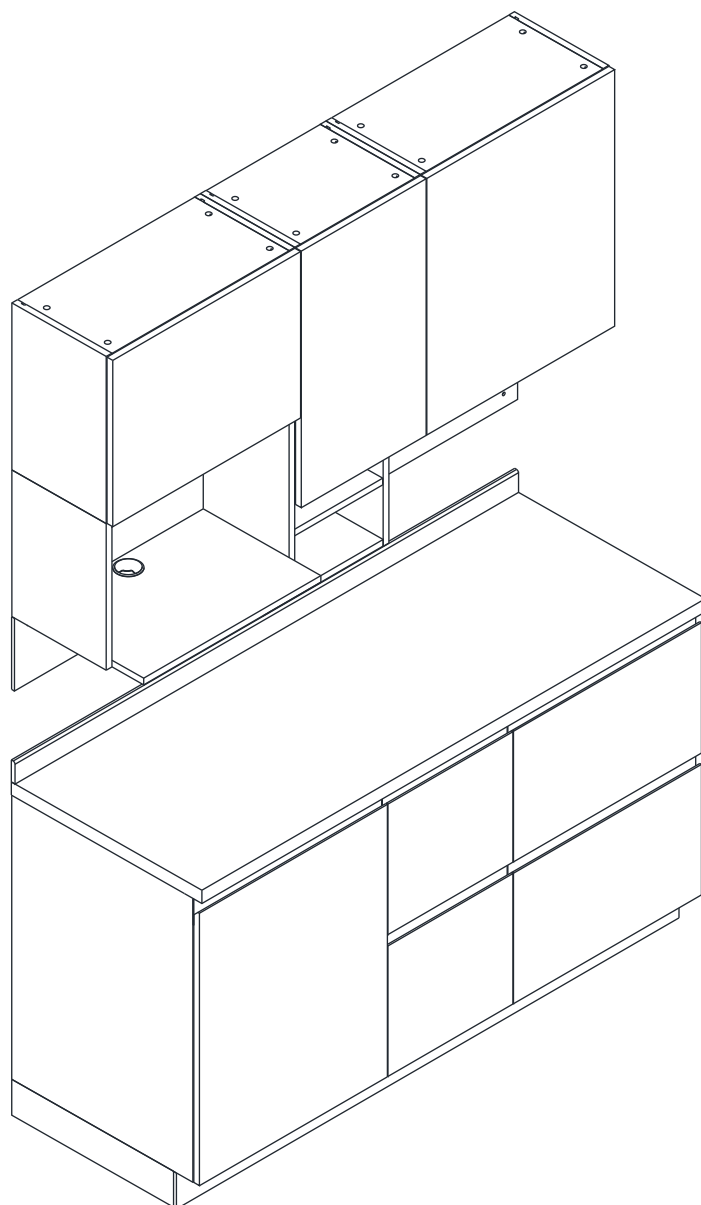


LUX-KIT

LUX-KIT 1.6 M.



CONNECT SYSTEM

1

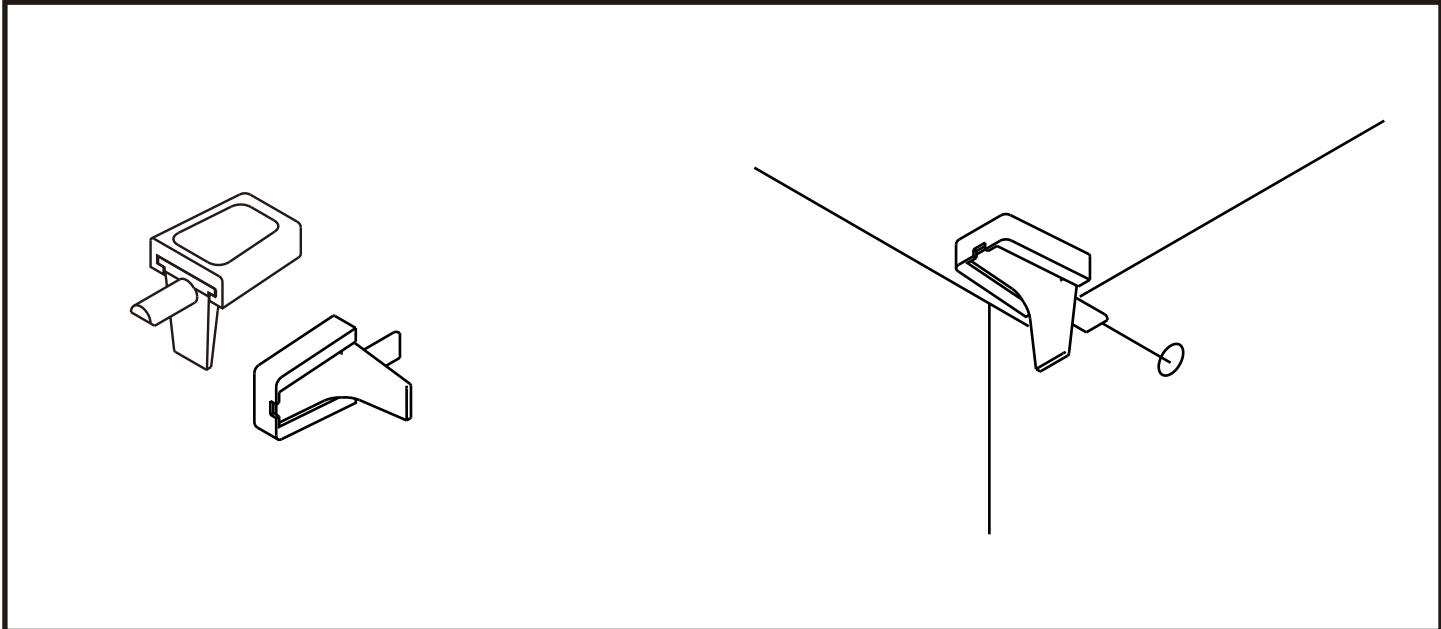
3

2

(Connecting bolts)

WHEN FITTING CAMS
 ENSURE STARTING POSITION IS CORRECT
 BEFORE YOU INSERT CONNECTING BOLT
 TURN CLOCKWISE UNTIL SECURE

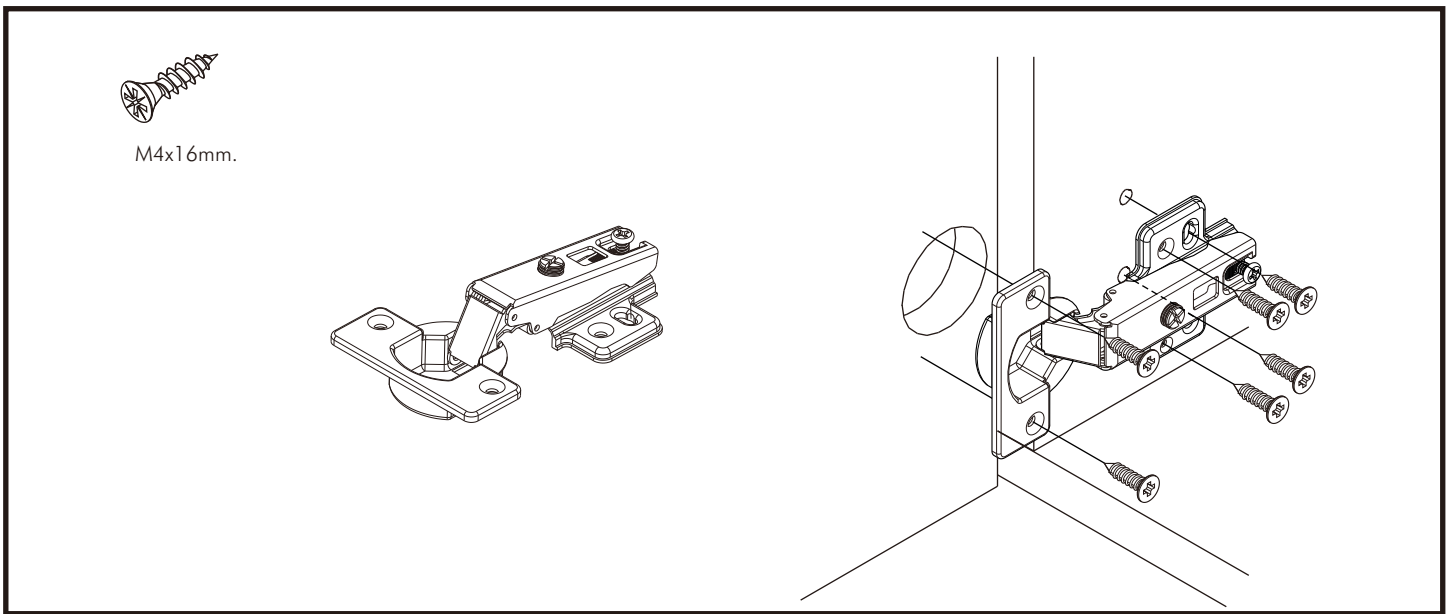
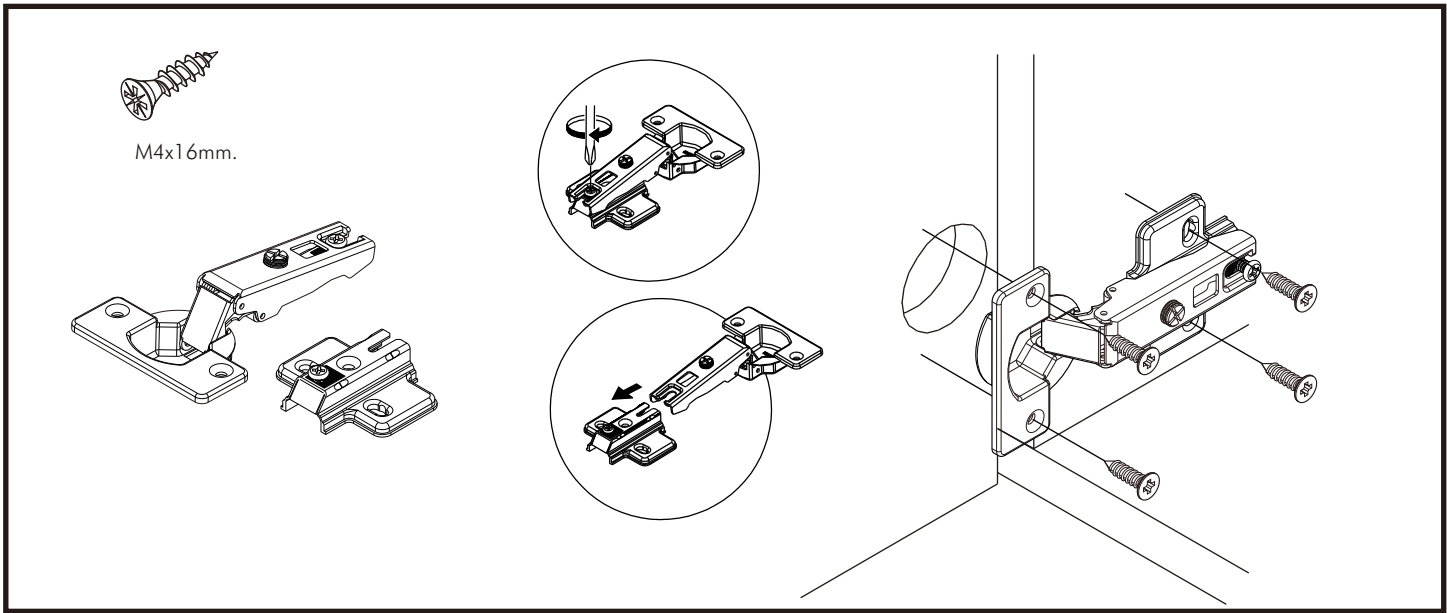
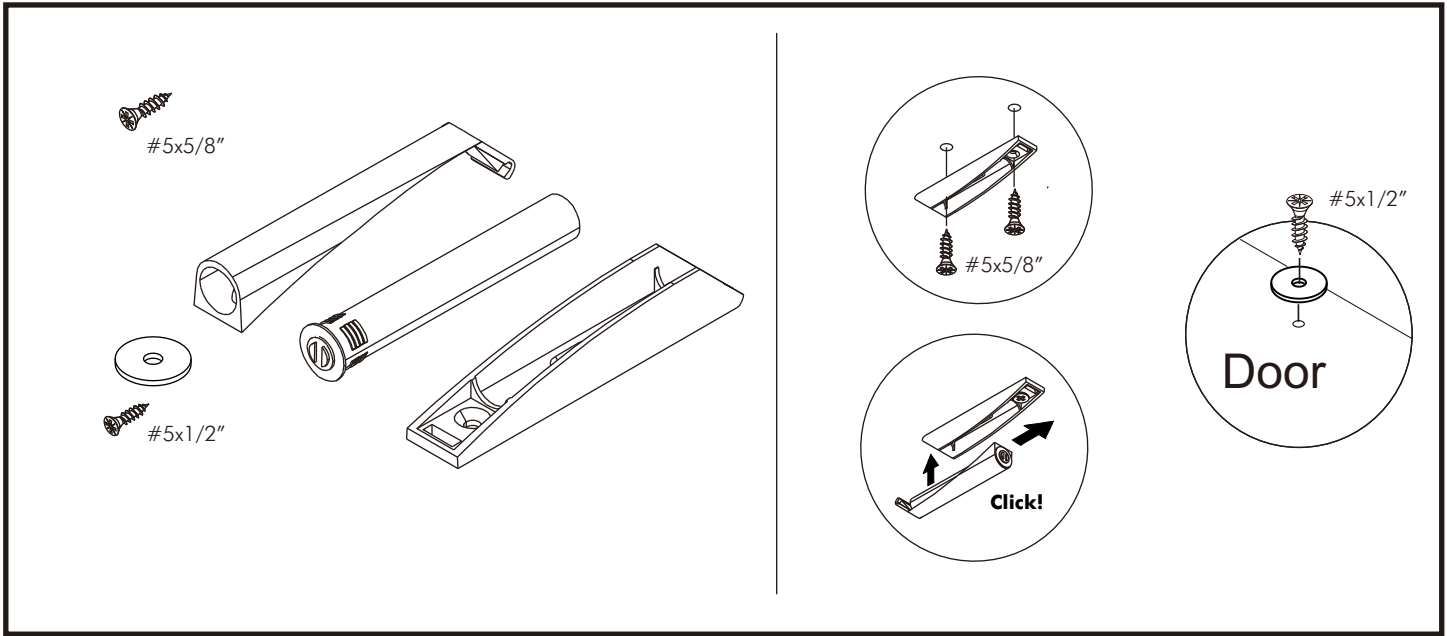
✓				✗
↑				
	CORRECT	WRONG		



M4x13mm.

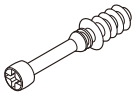
1

2



HARDWARE

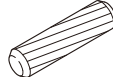
-BODY SET



x 48

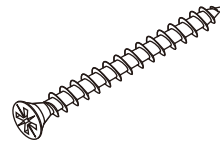


x 48



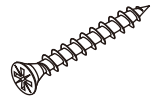
8x35mm.

x 58



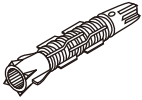
M4x50mm.

x 4



M4x30mm.

x 20



x 24



x 2



x 14



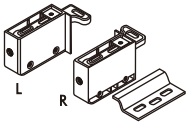
M5x70mm.

x 2

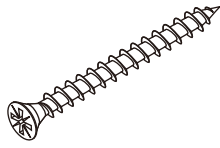


Ø11mm.

x 12



x 4/4/8



M5x50mm.

x 22



x 1



x 20



M4x25mm.

x 2



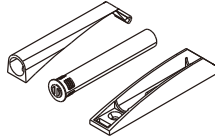
M4x20mm.

x 4



M4x16mm.

x 126



x 3



x 3



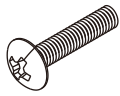
#5x5/8"

x 6



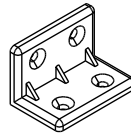
M4x25mm.

x 2



M4x10mm.

x 3

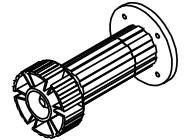


x 22



#5x1/2"

x 3



x 12

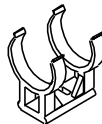


x 8



M3.5x25mm.

x 6



x 8



M3.5x13mm.

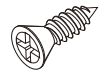
x 16



x 3



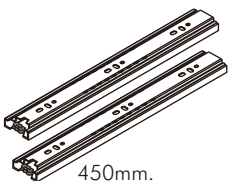
x 8



6x3/8"

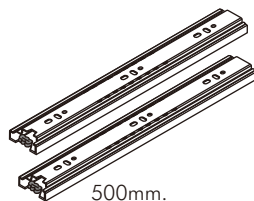
x 12

-DRAWER SET



450mm.

x 1



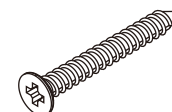
500mm.

x 2



M4x13mm.

x 36



M4x40mm.

x 30



TFL4 M6x30

x 8



M4x16mm.(BLACK)

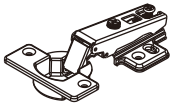
x 6



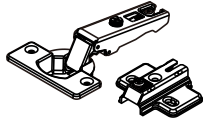
#M4

x 1

-DOOR SET



x 4



x 6



M4x16mm.

x 48



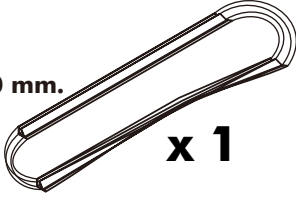
M4x16mm.(BLACK)

x 12



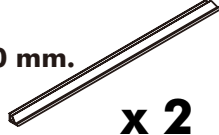
x 4

1650 mm.

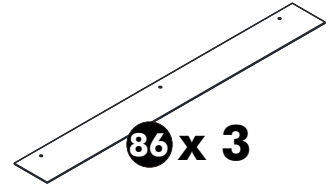


x 1

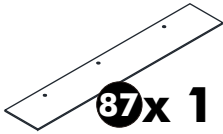
550 mm.



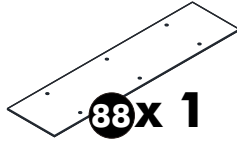
x 2



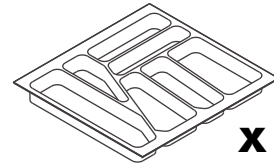
86 x 3



87 x 1



88 x 1

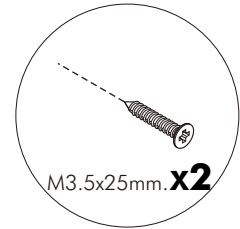
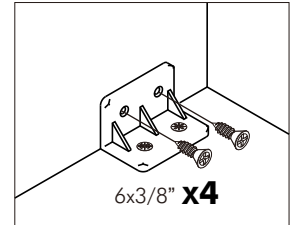
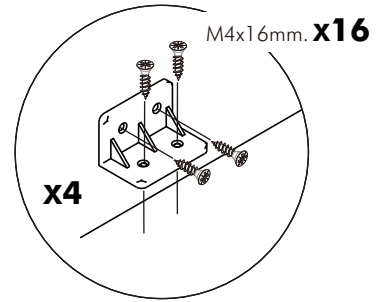
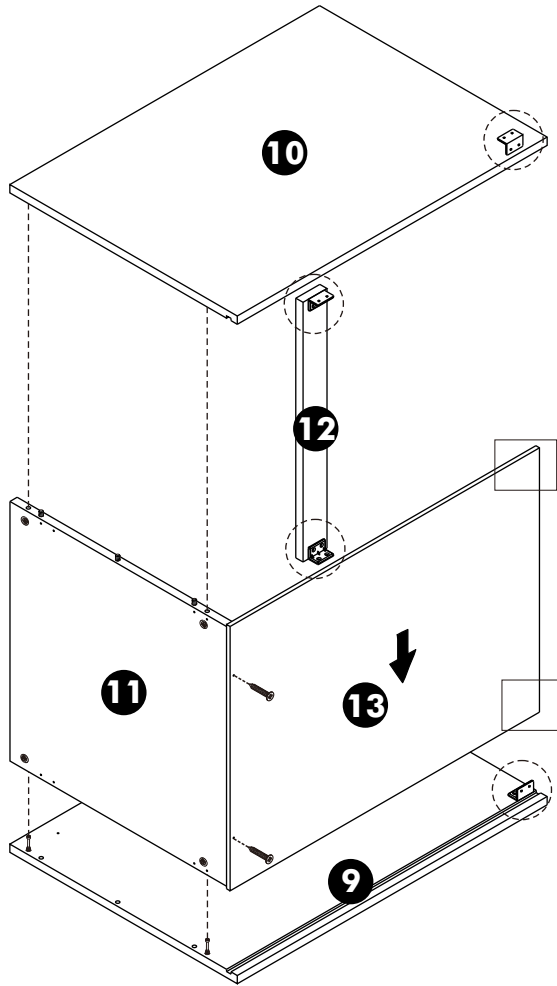
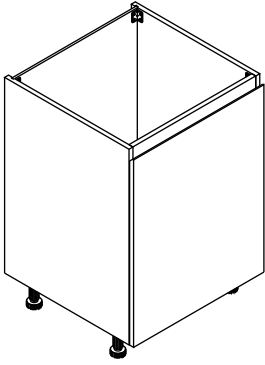


x 1

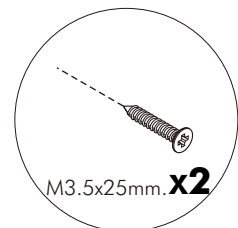
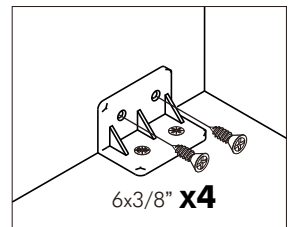
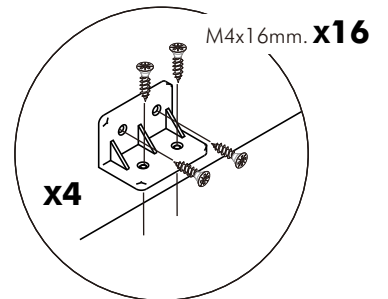
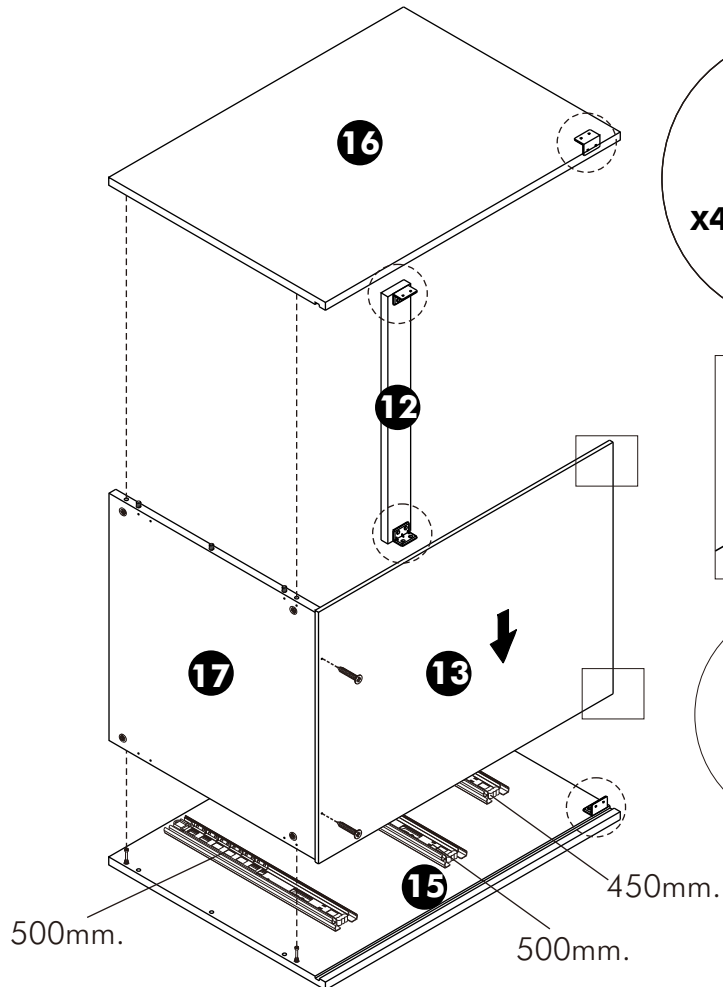
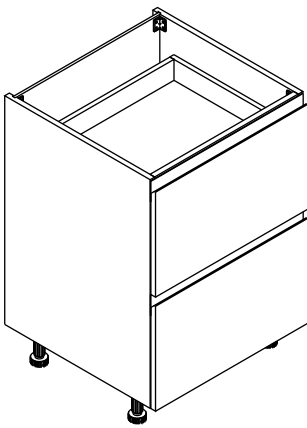
ASSEMBLY

-BODY SET

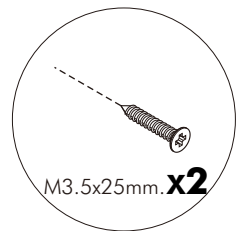
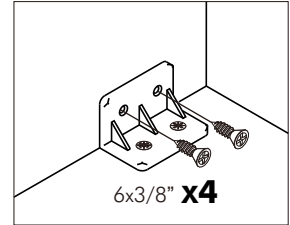
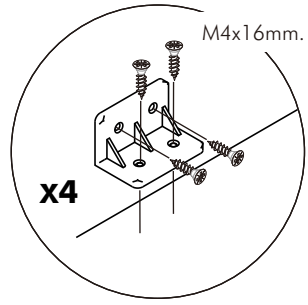
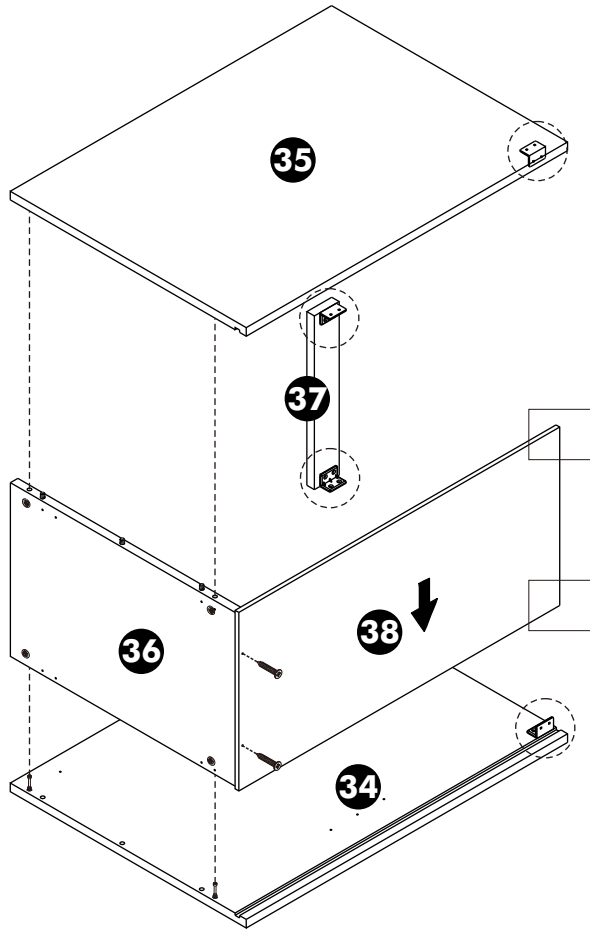
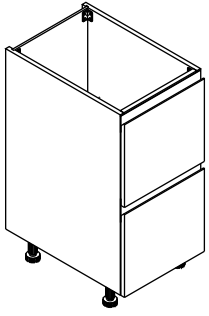
1.



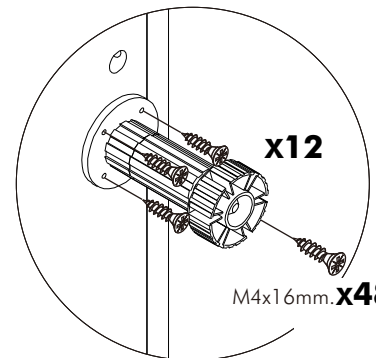
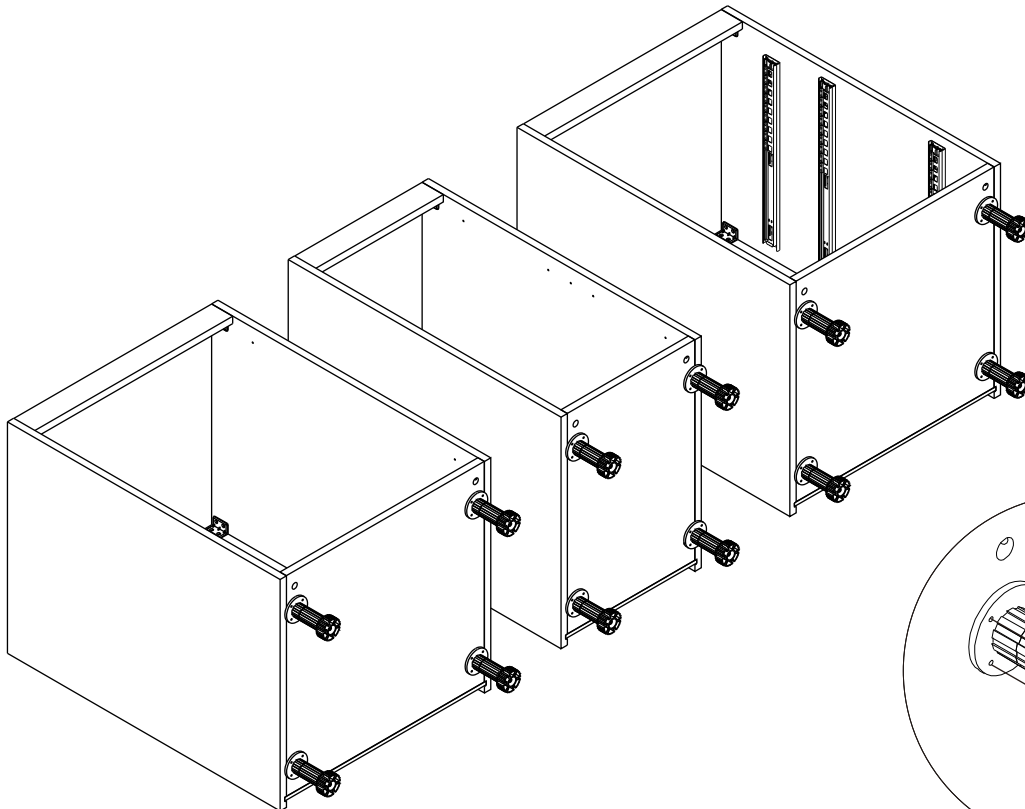
2.



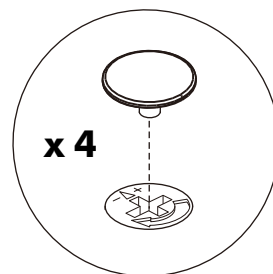
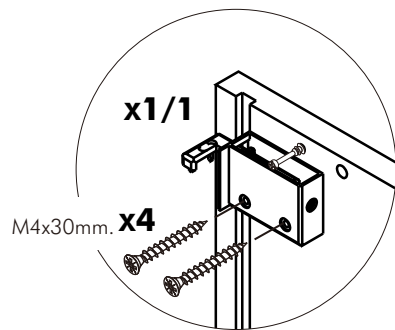
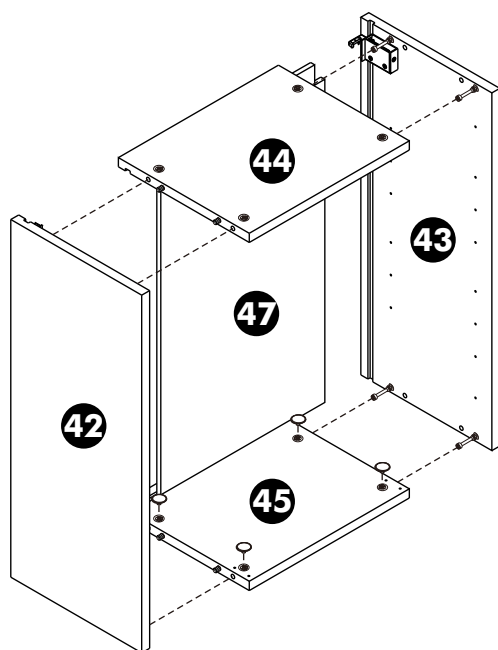
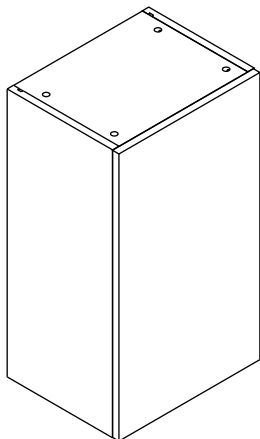
3.



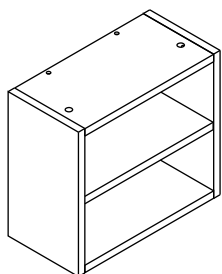
4.



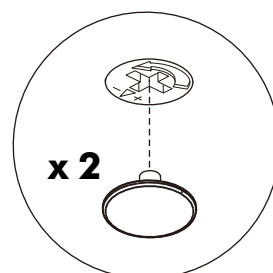
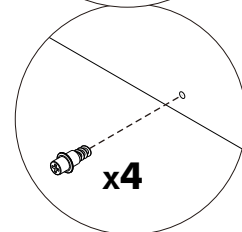
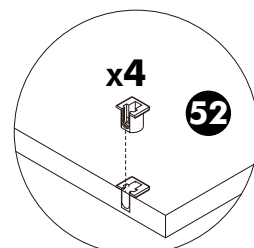
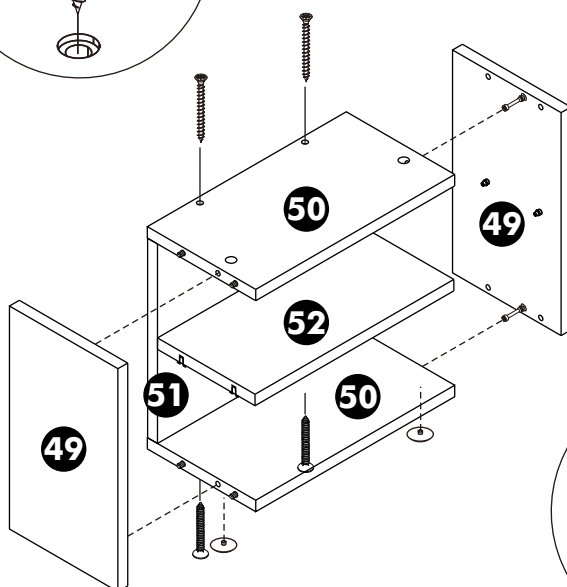
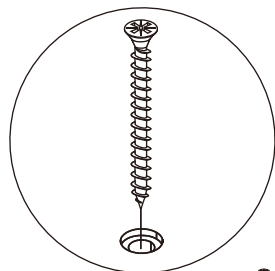
5.



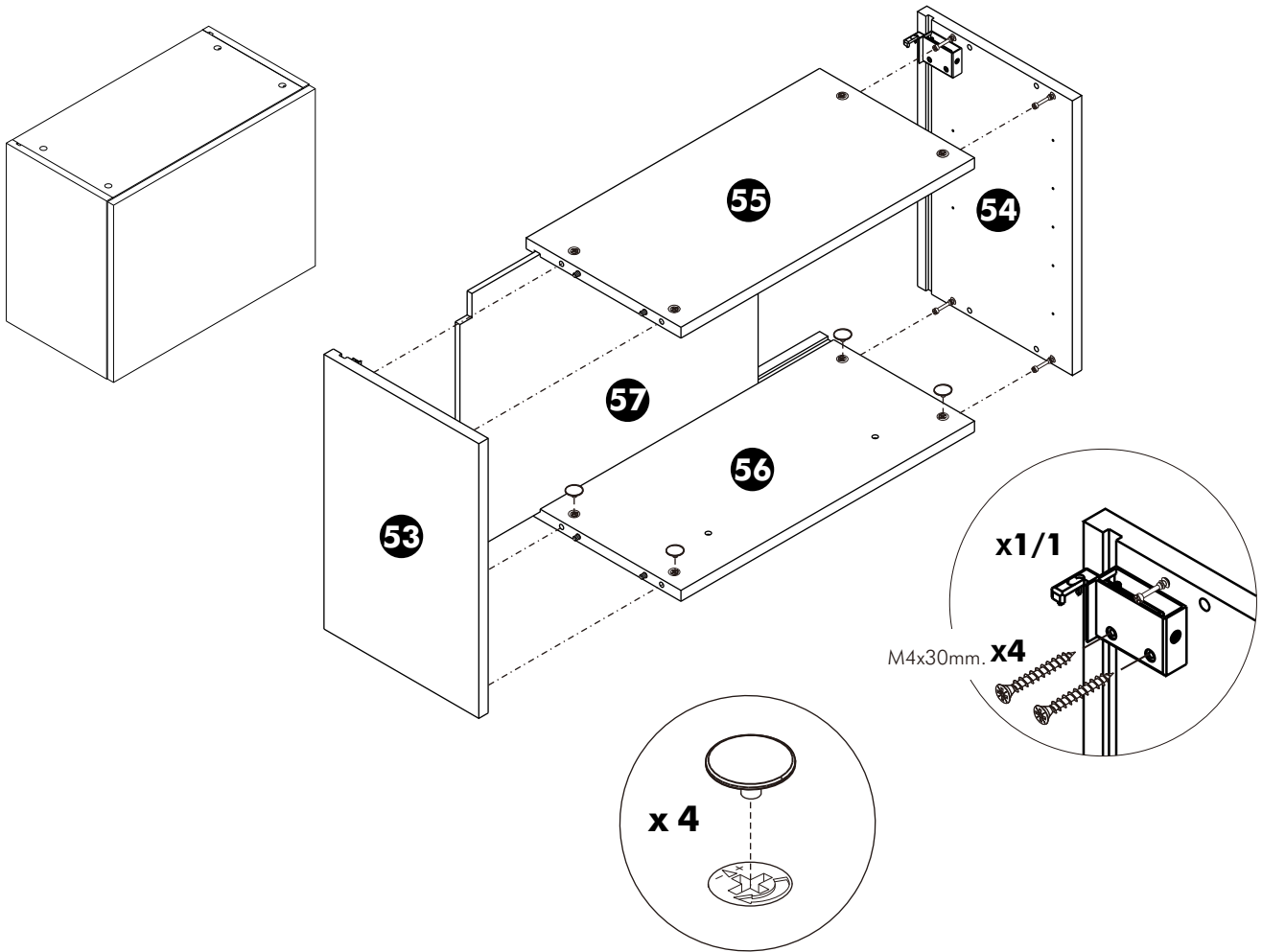
6.



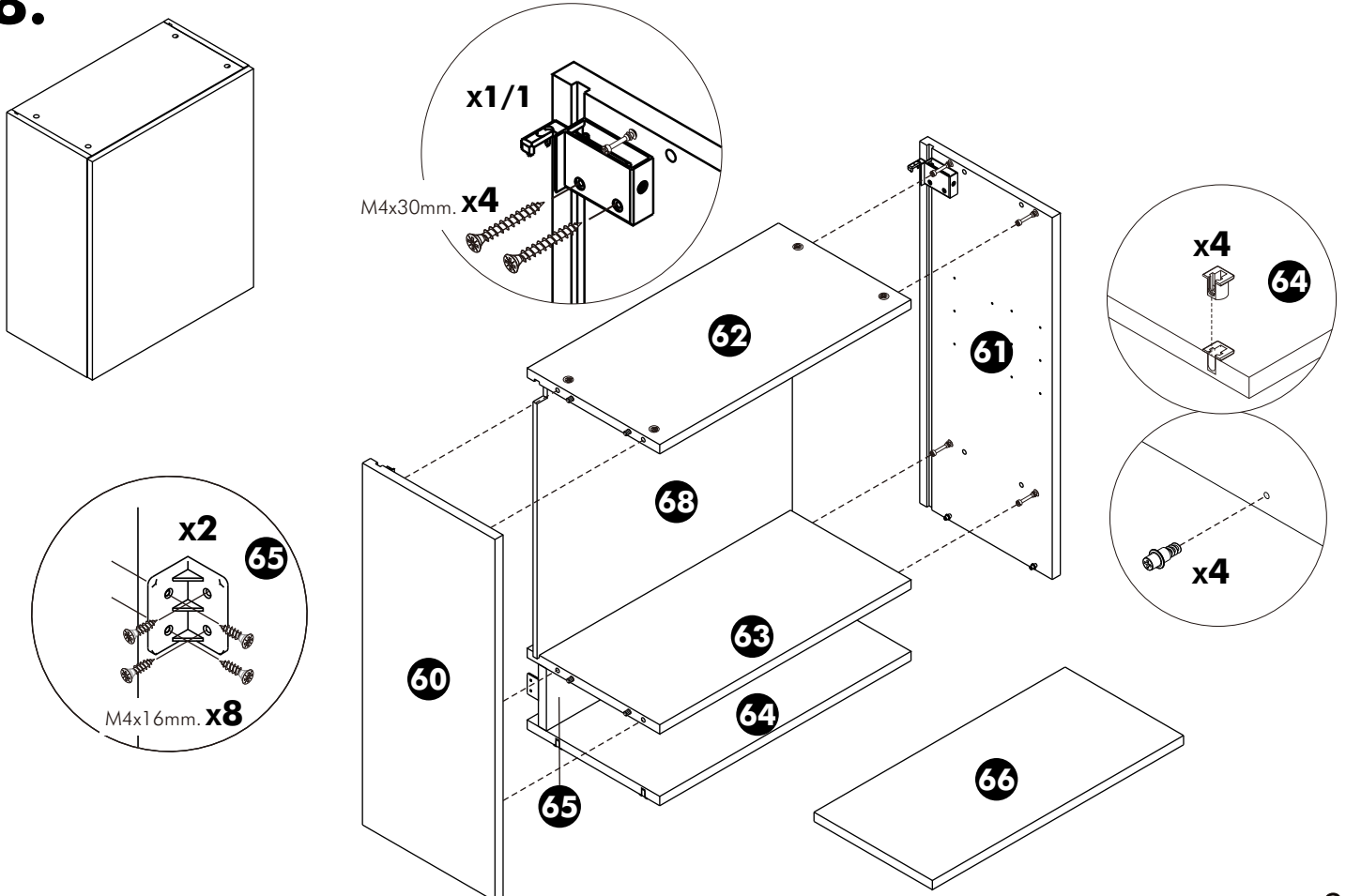
M4x50mm. **x4**



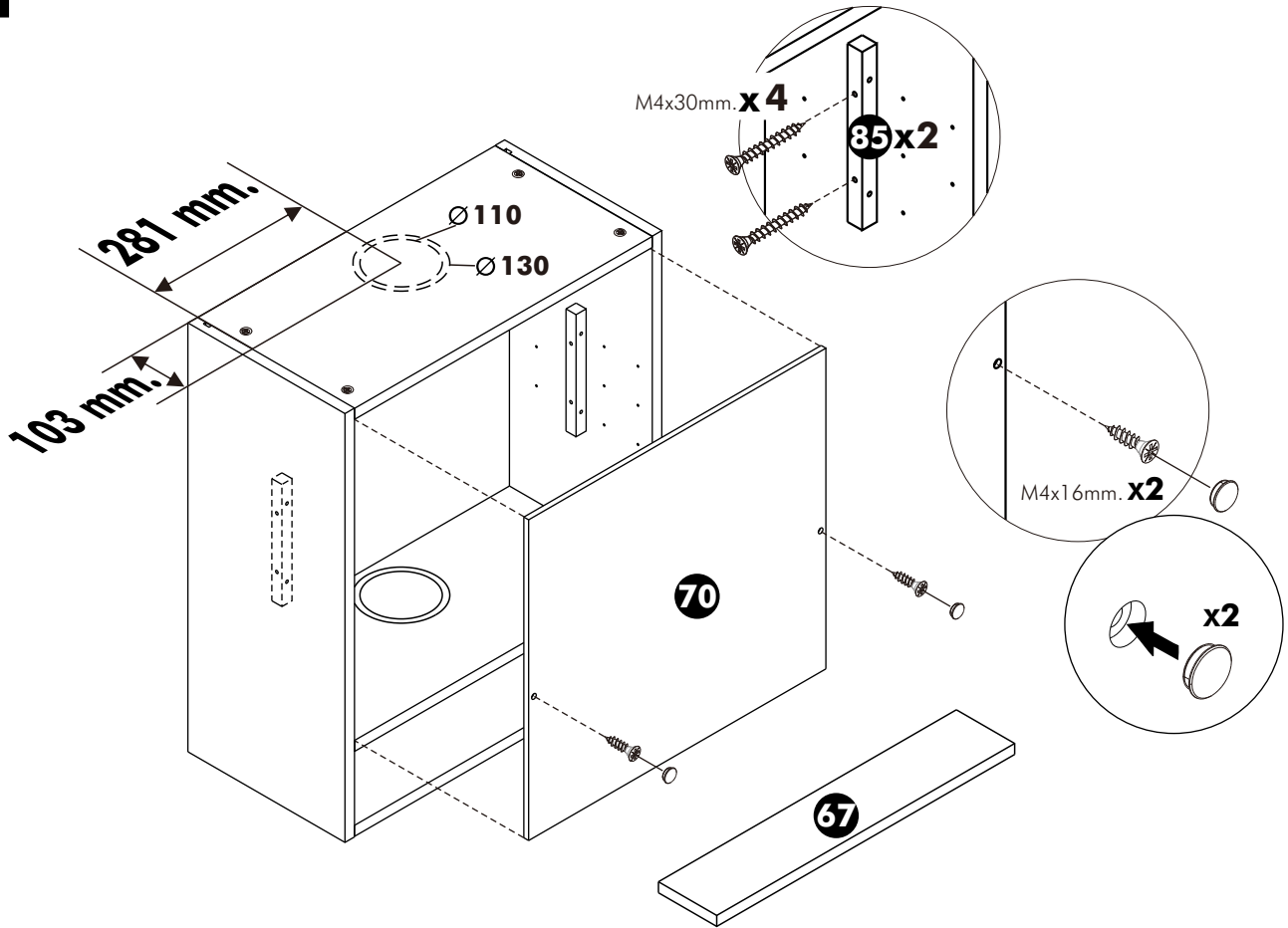
7.



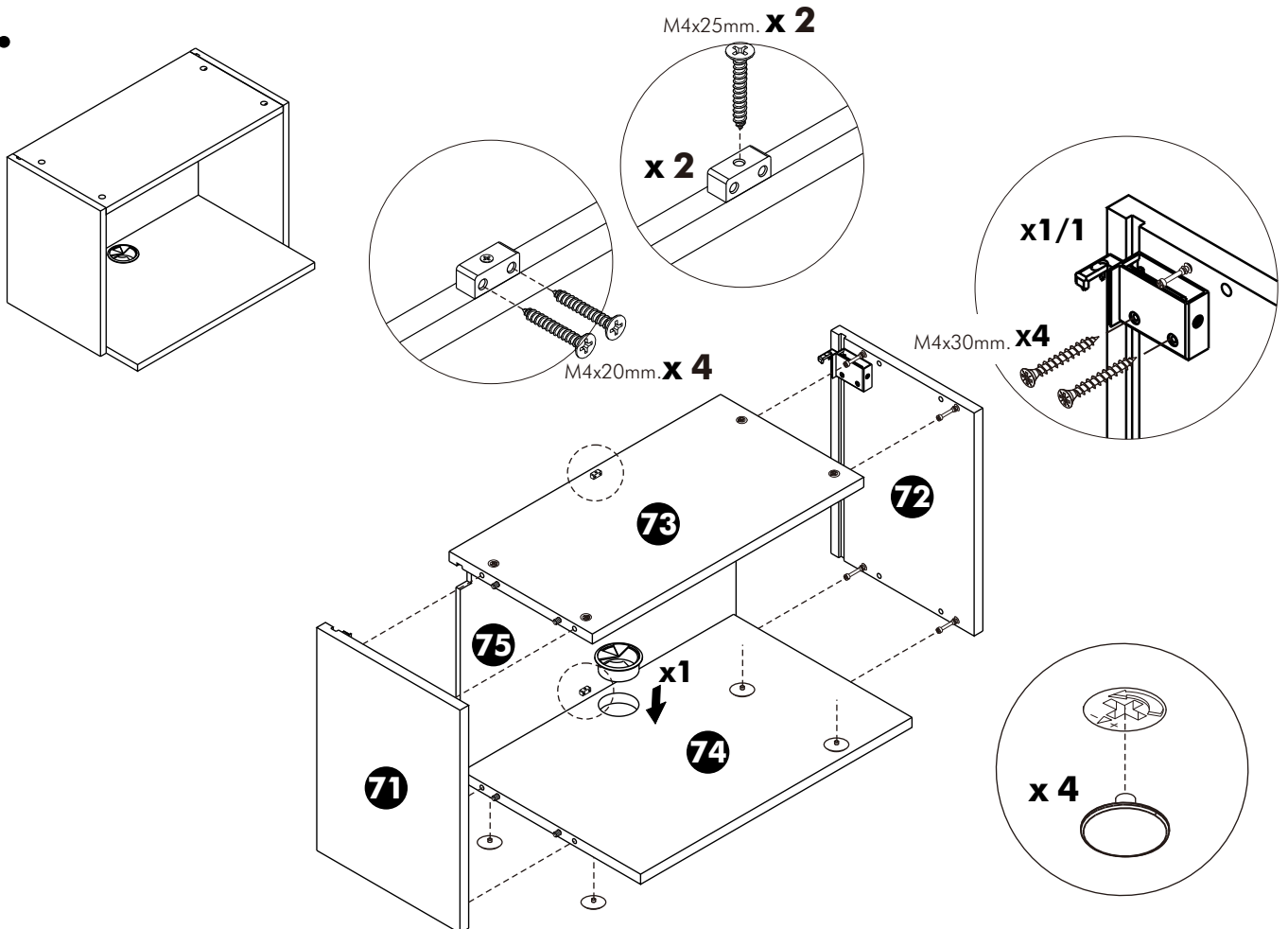
8.



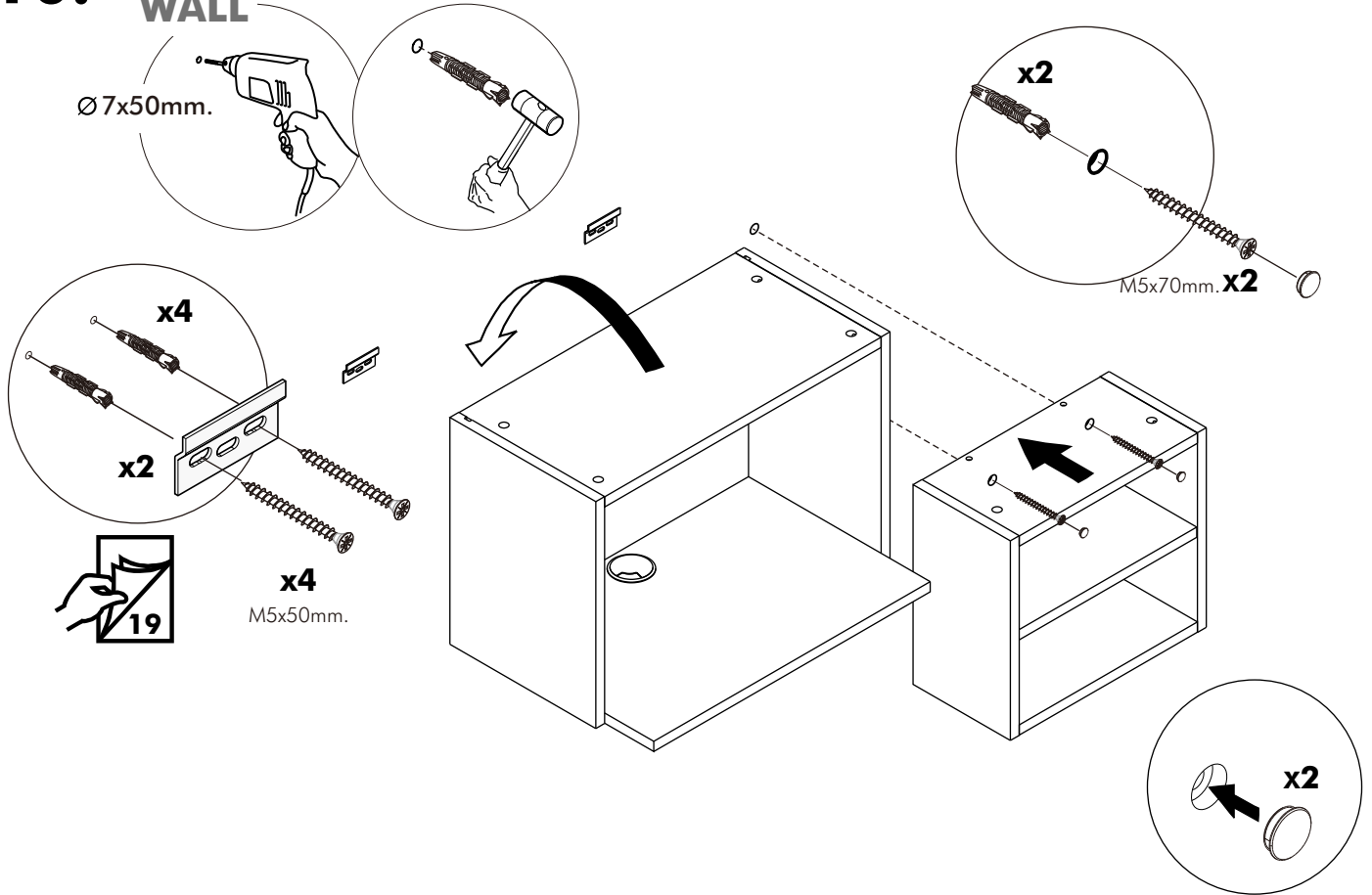
8.1



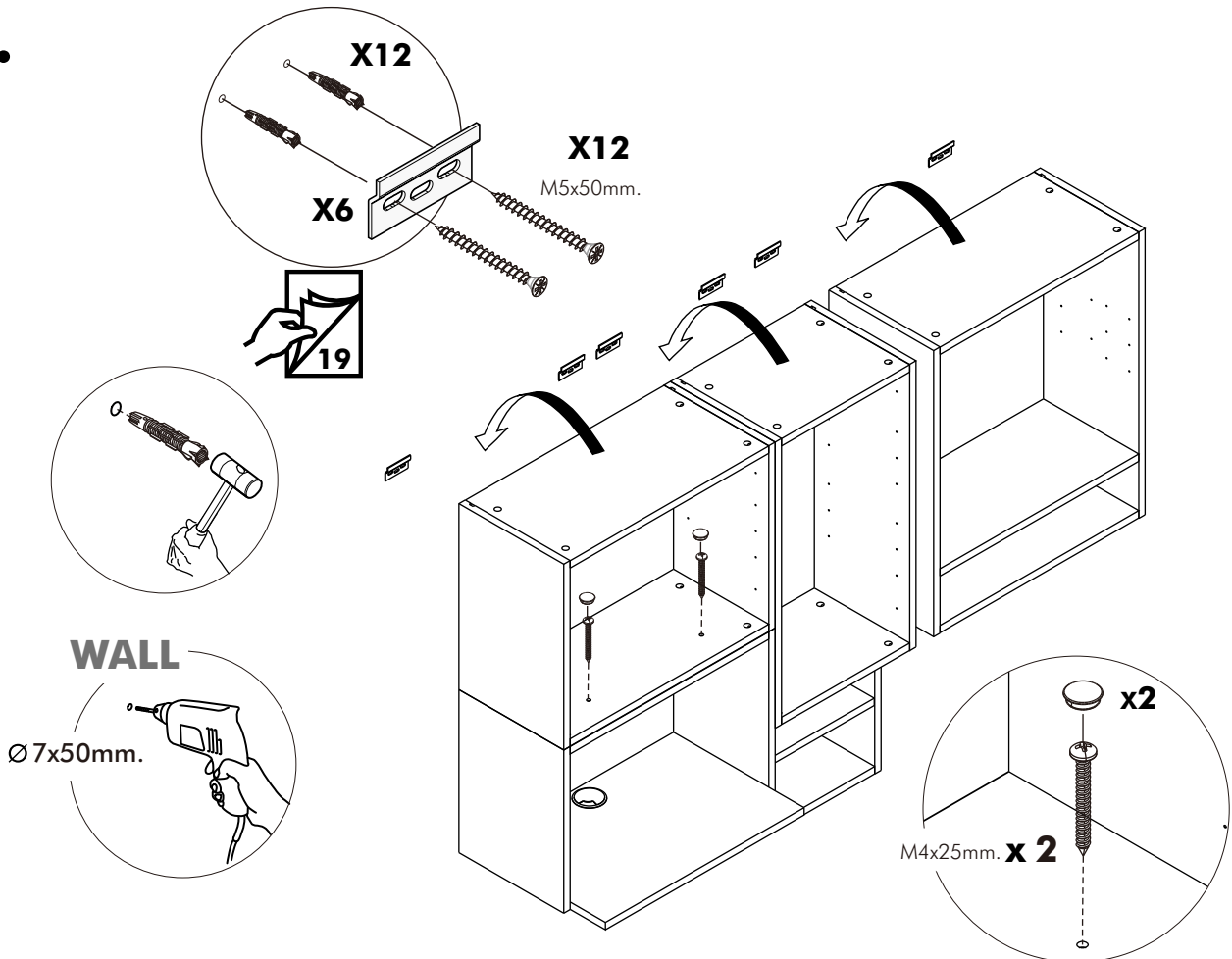
9.



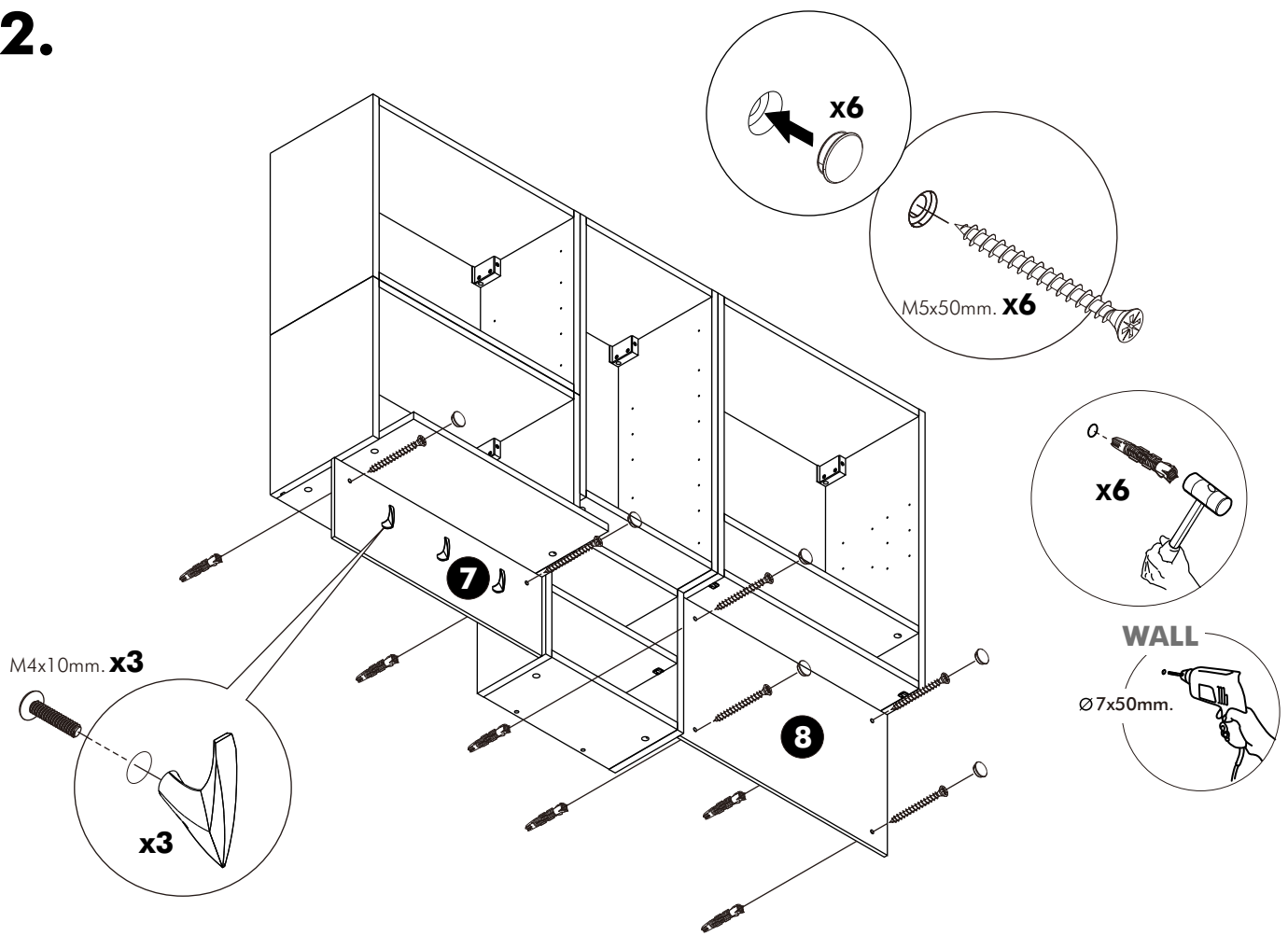
10. WALL



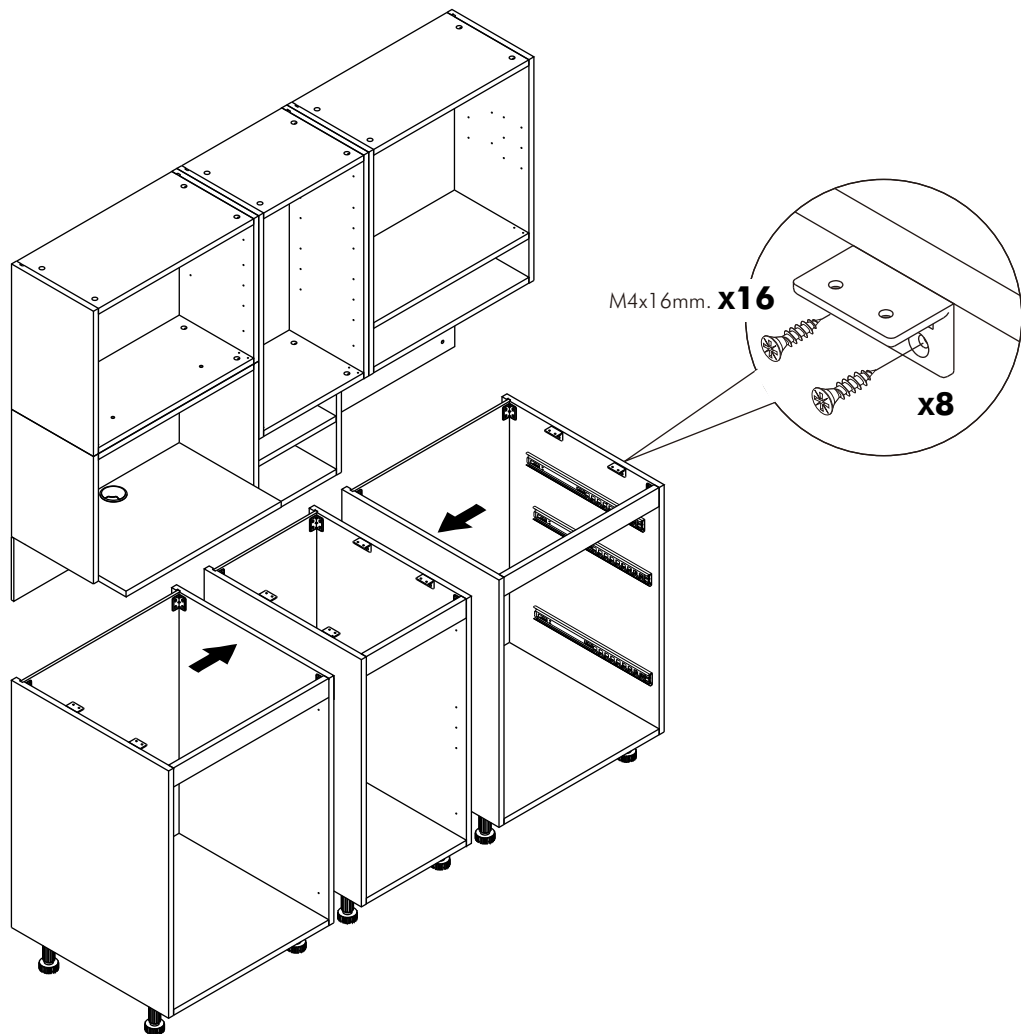
11.



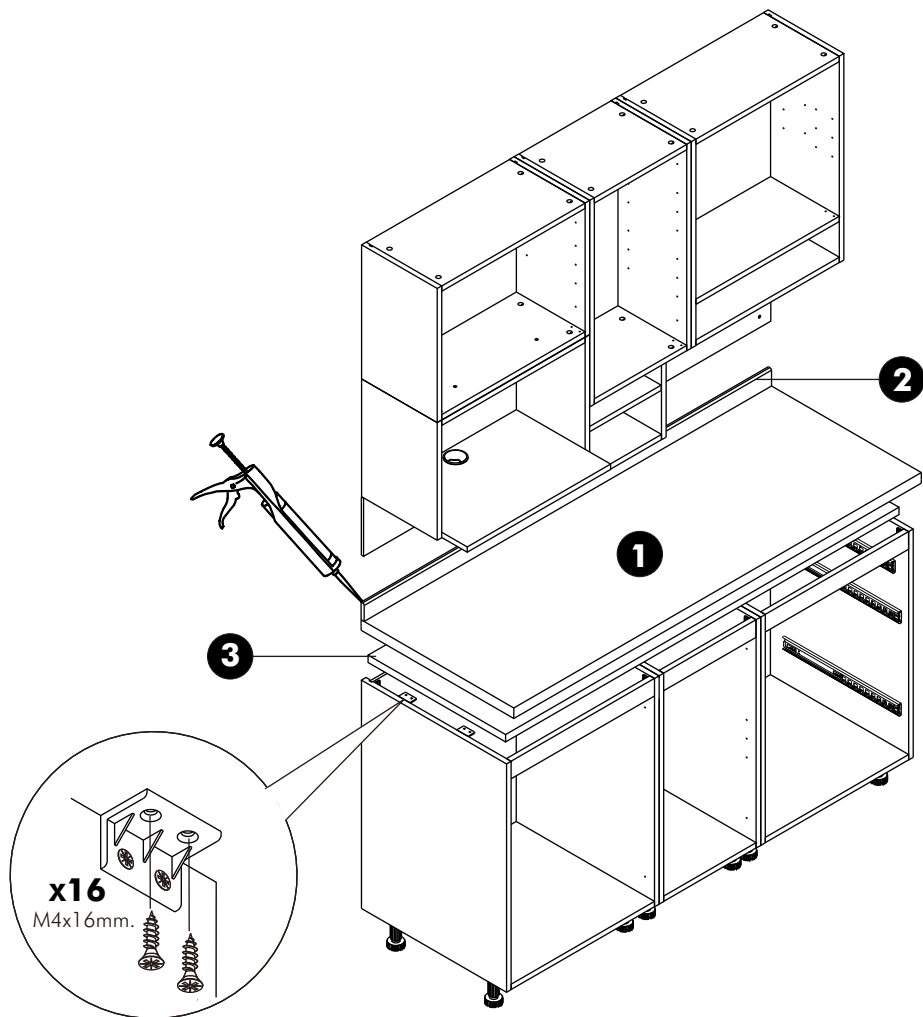
12.



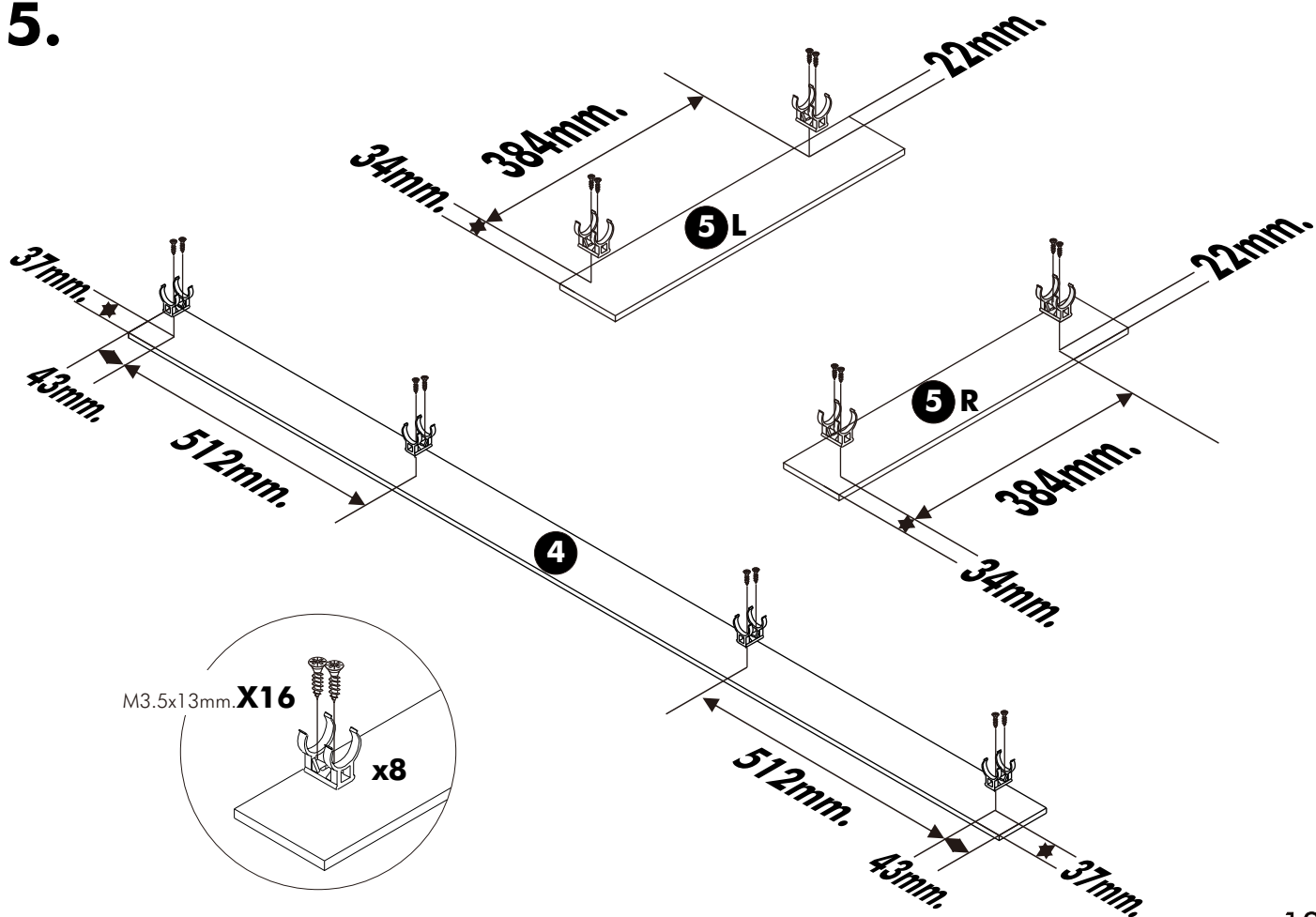
13.



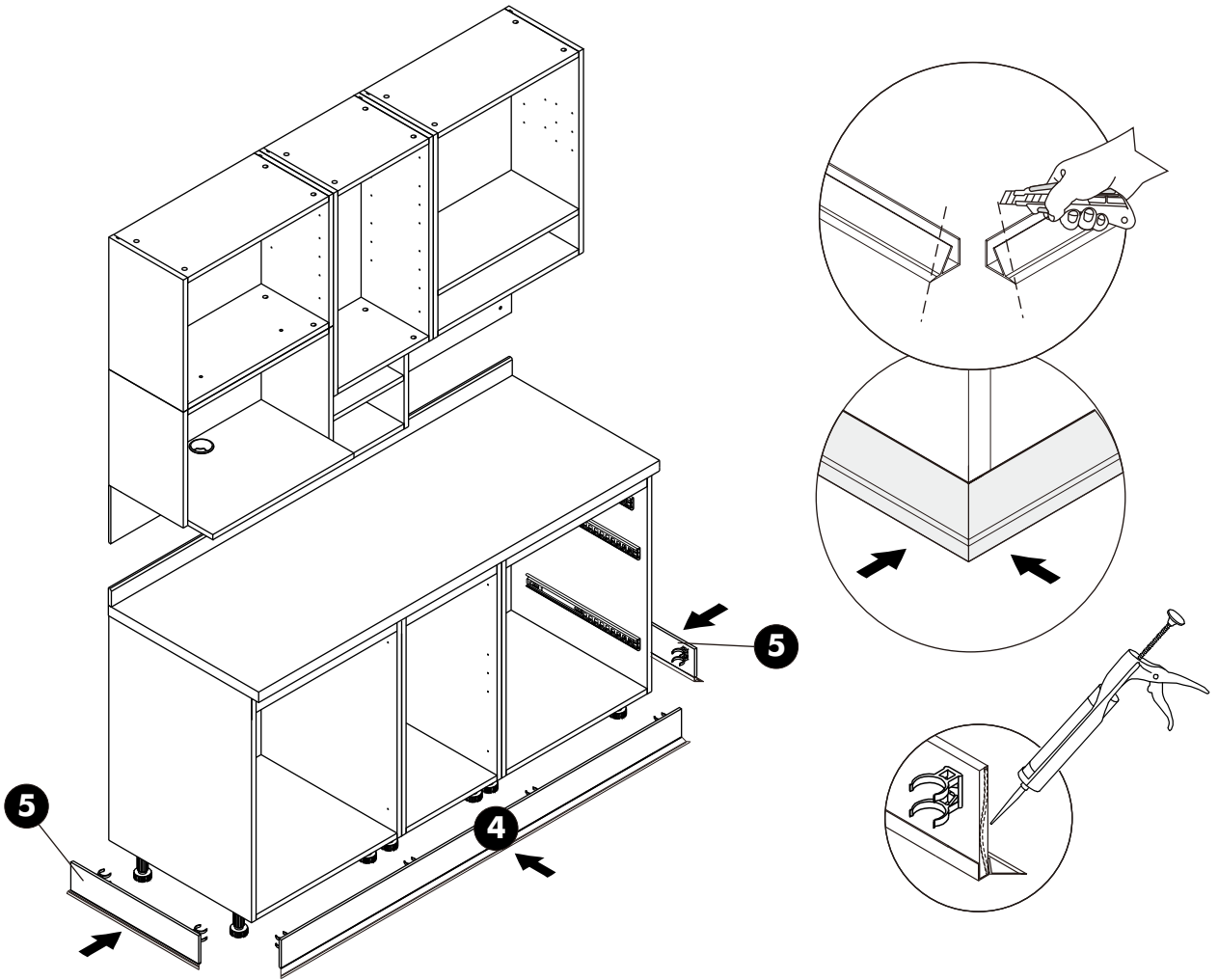
14.



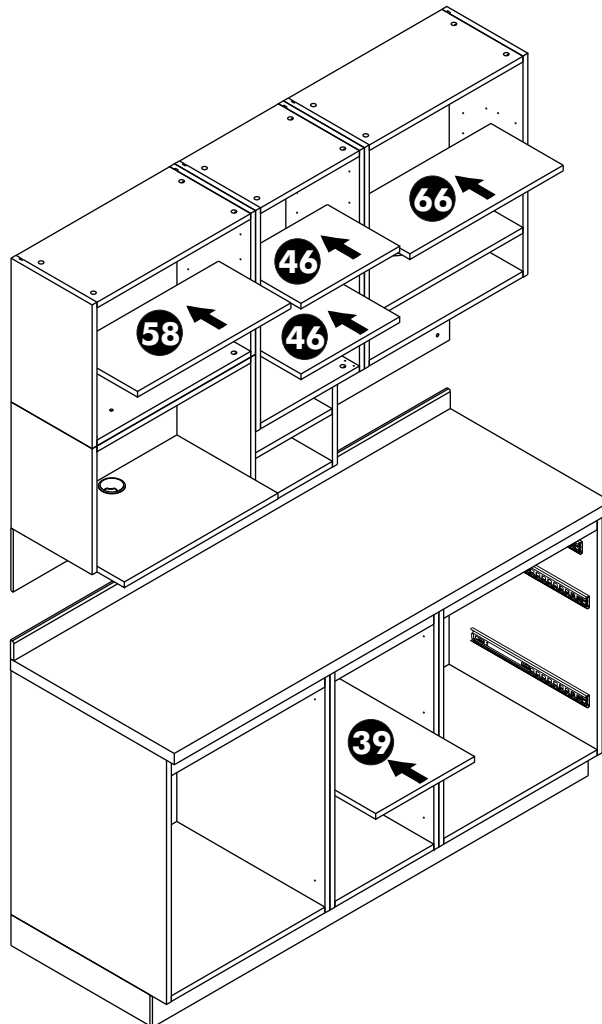
15.



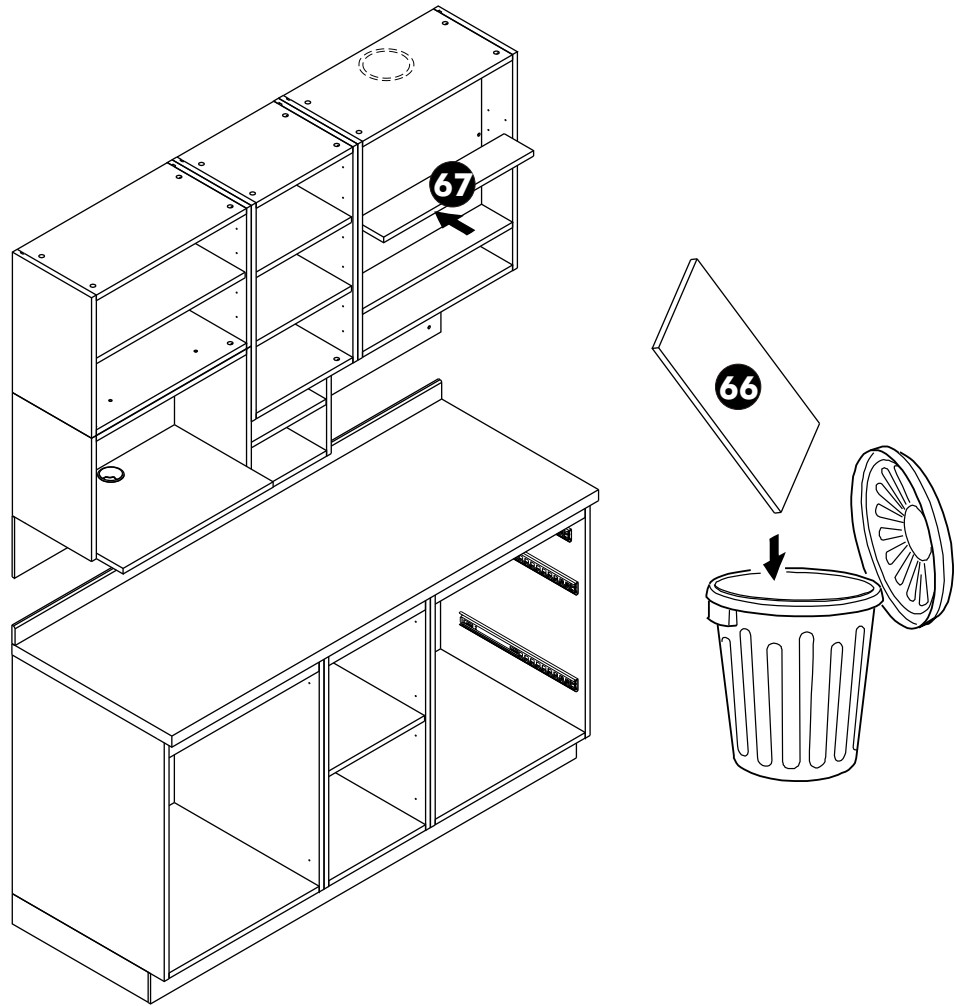
16.



17.



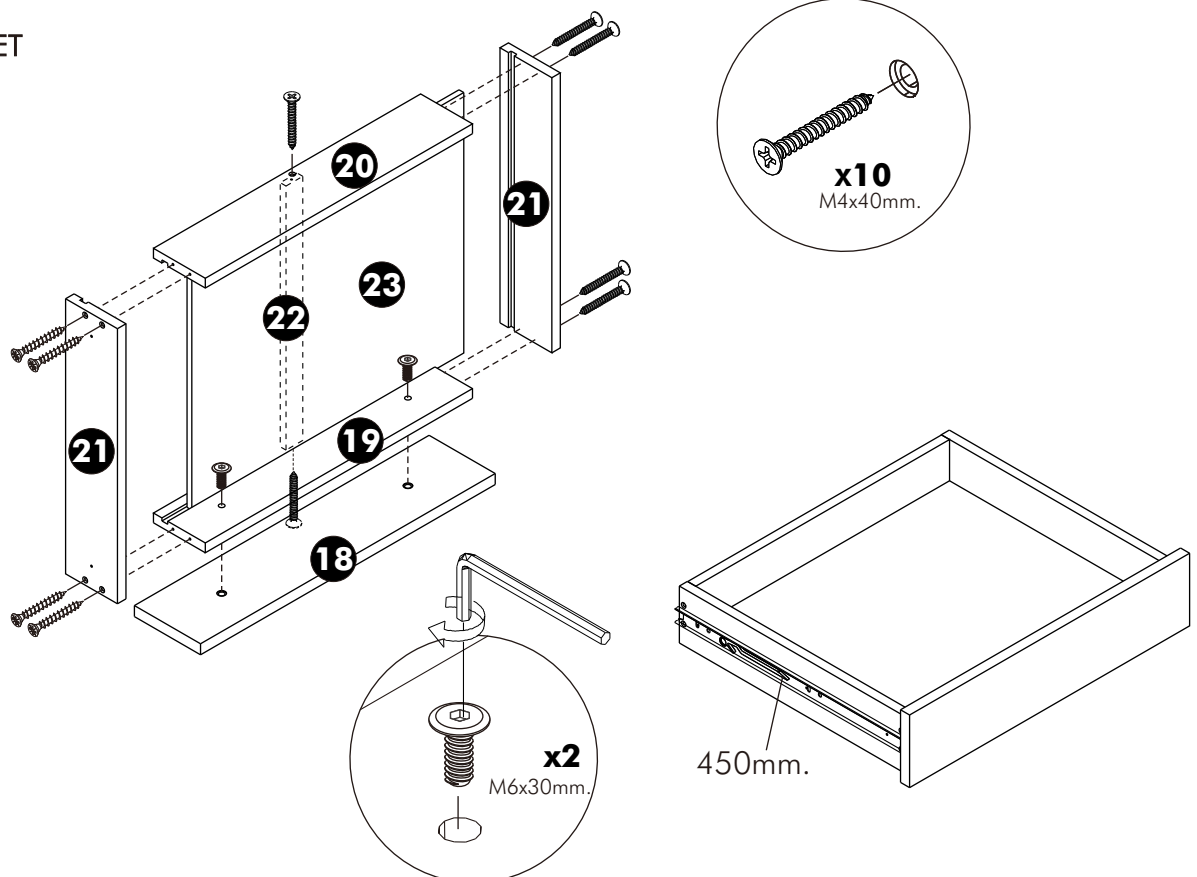
17.1



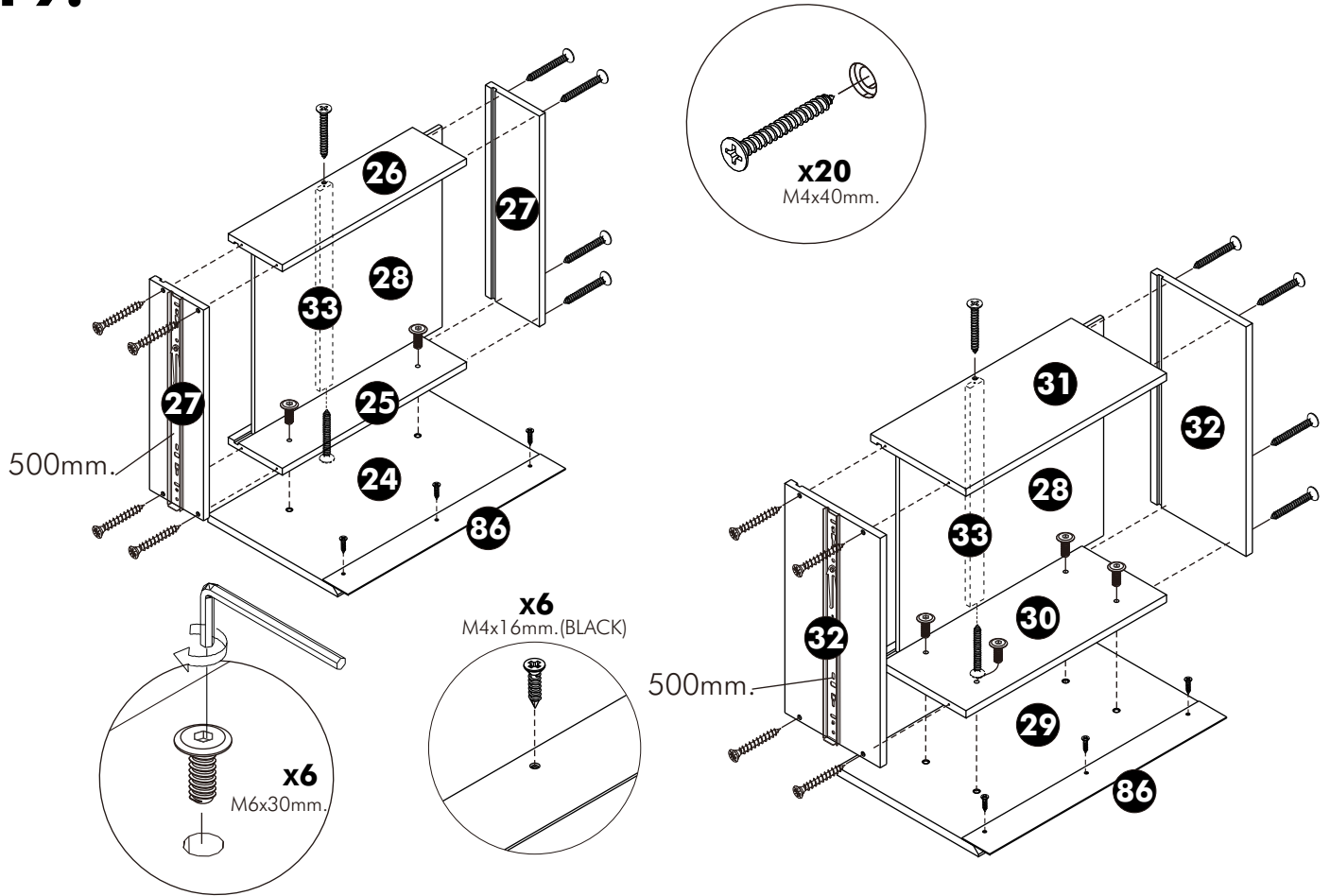
ASSEMBLY

-DRAWER SET

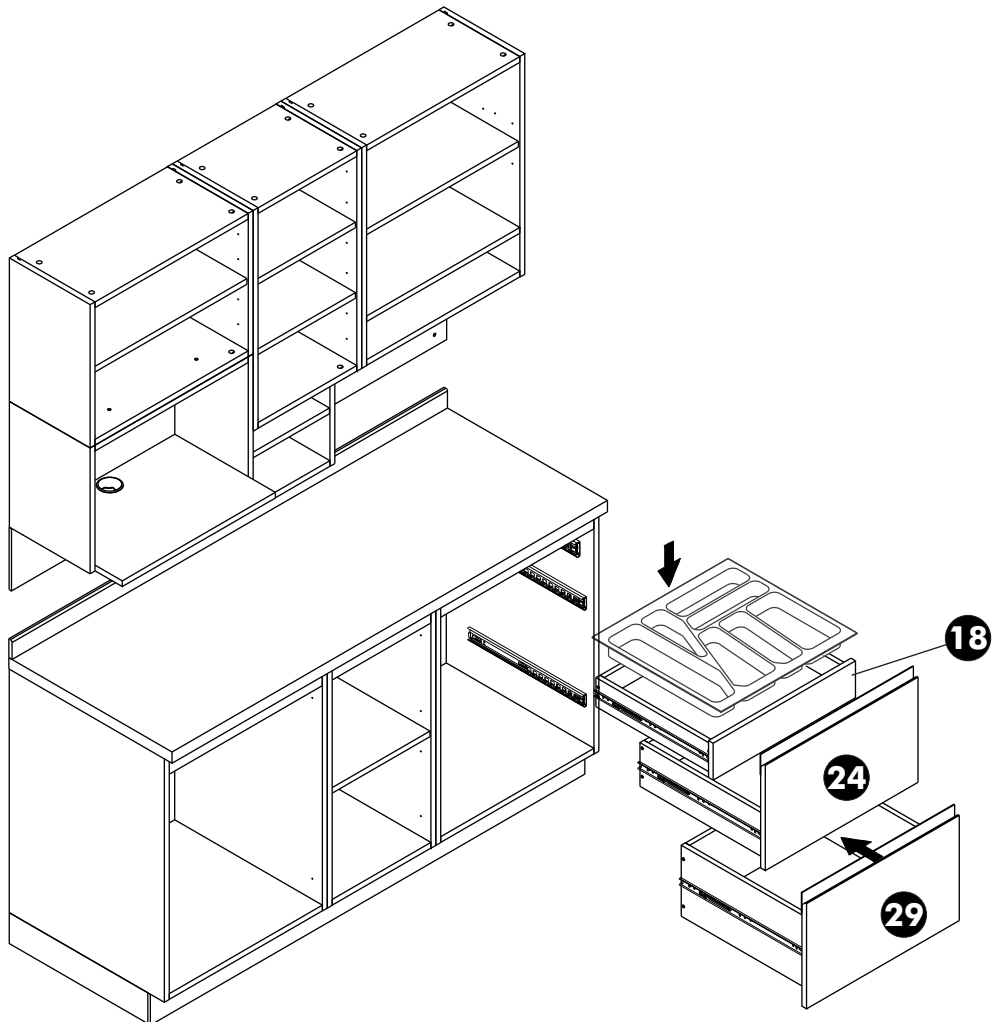
18.



19.



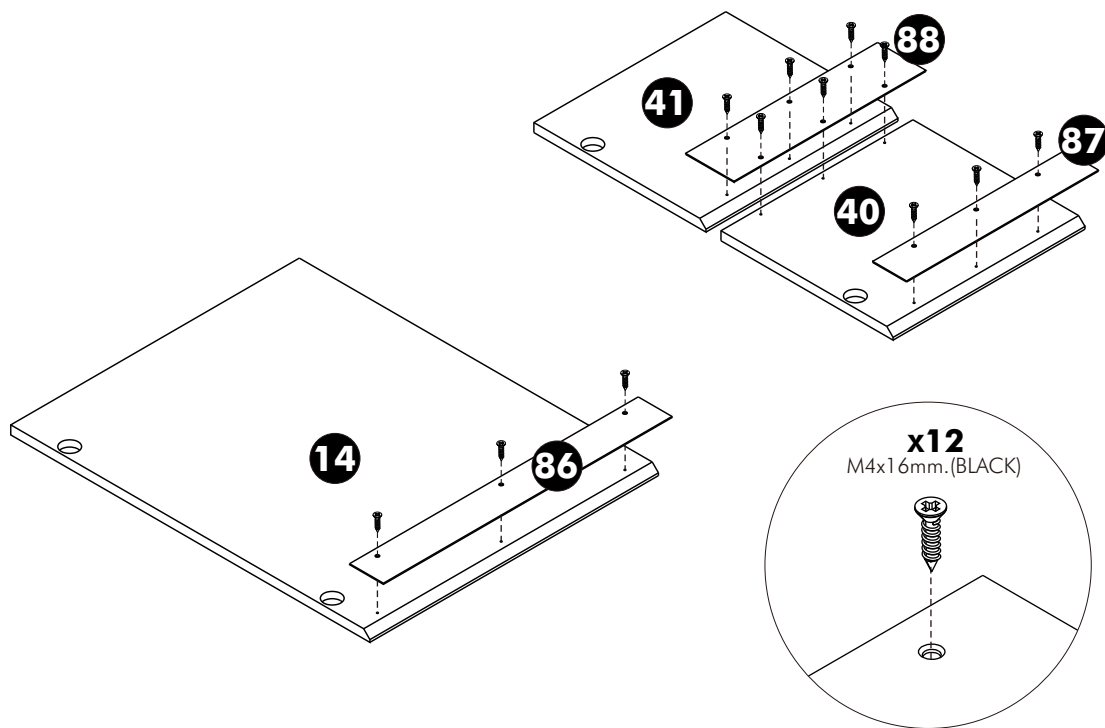
20.



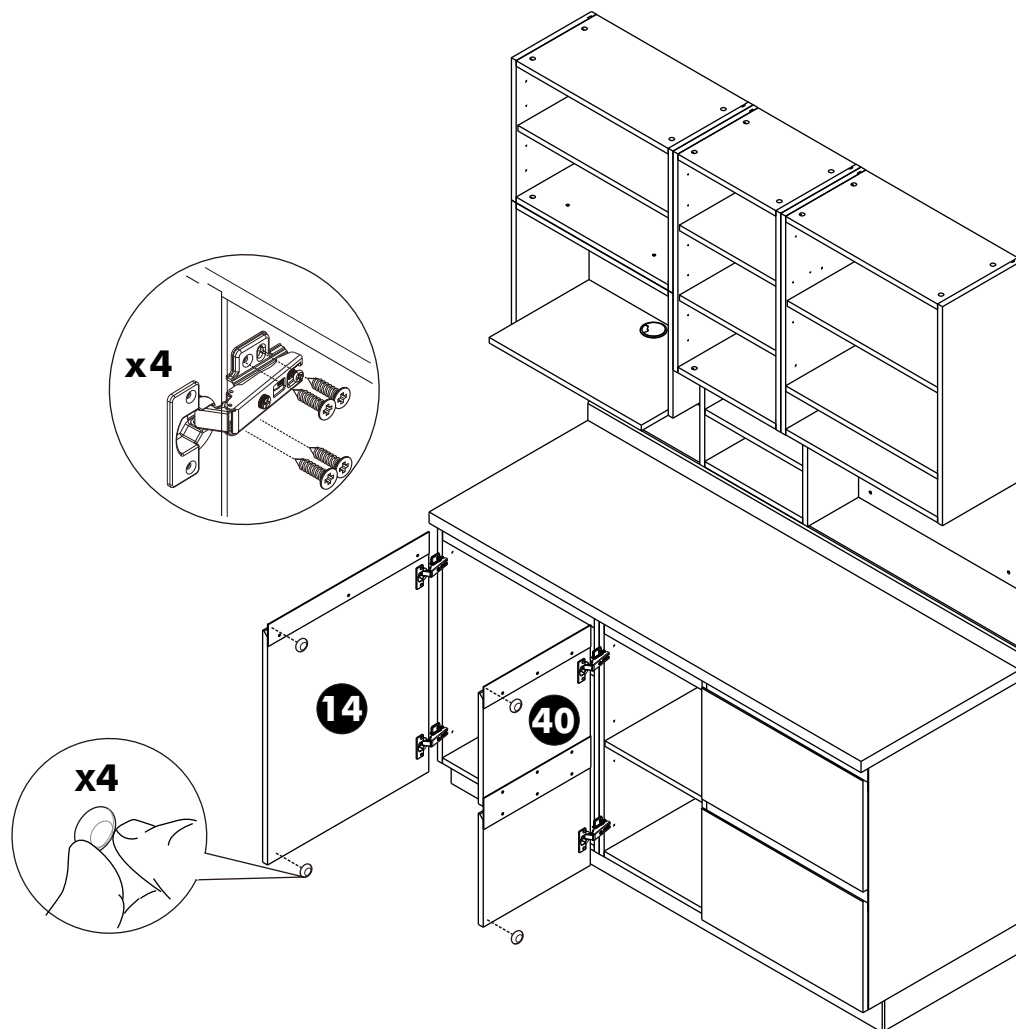
ASSEMBLY

-DOOR SET

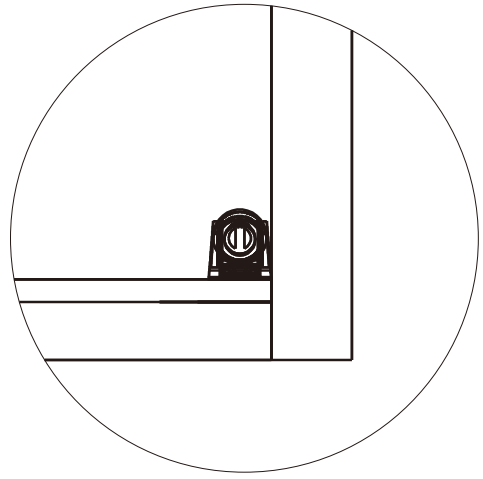
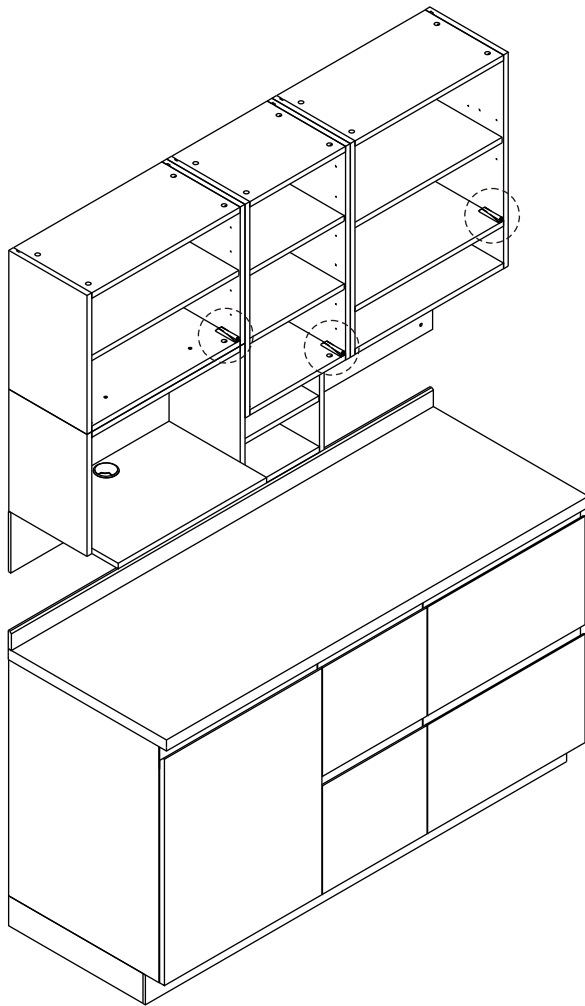
21.



22.



23.



24.

