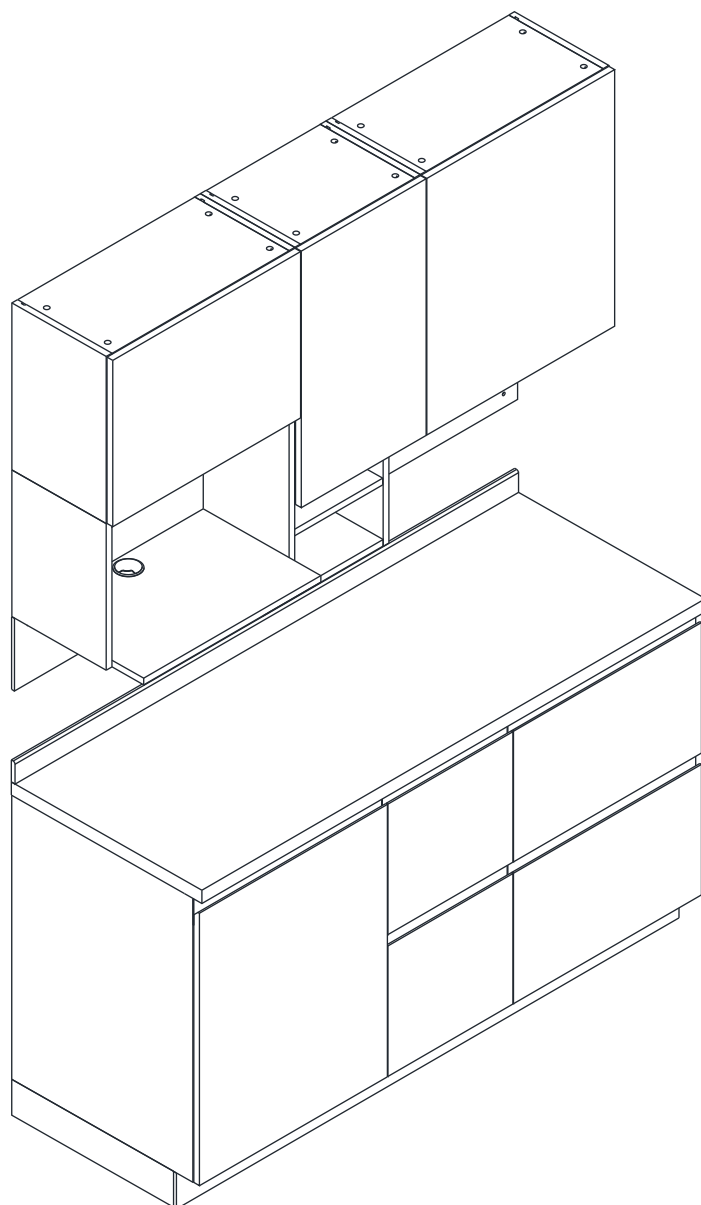


LUX-KIT

LUX-KIT 1.6 M.



CONNECT SYSTEM

1

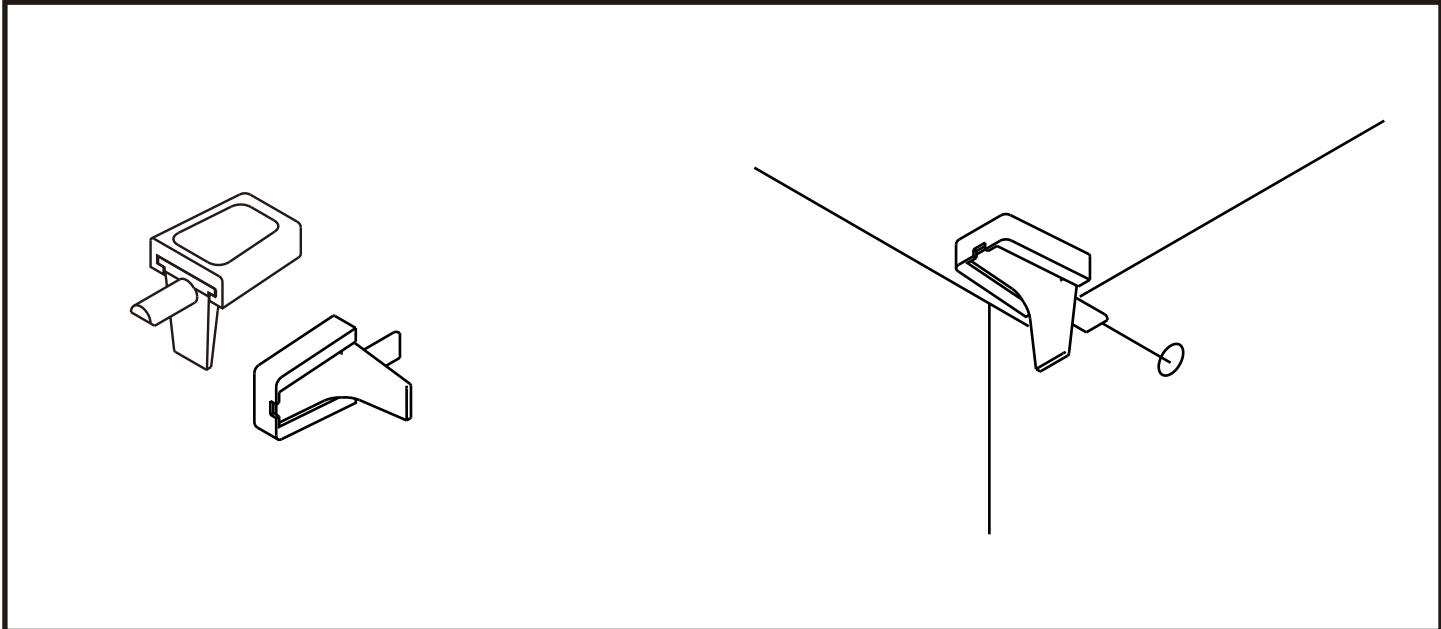
3

2

(Connecting bolts)

WHEN FITTING CAMS
 ENSURE STARTING POSITION IS CORRECT
 BEFORE YOU INSERT CONNECTING BOLT
 TURN CLOCKWISE UNTIL SECURE

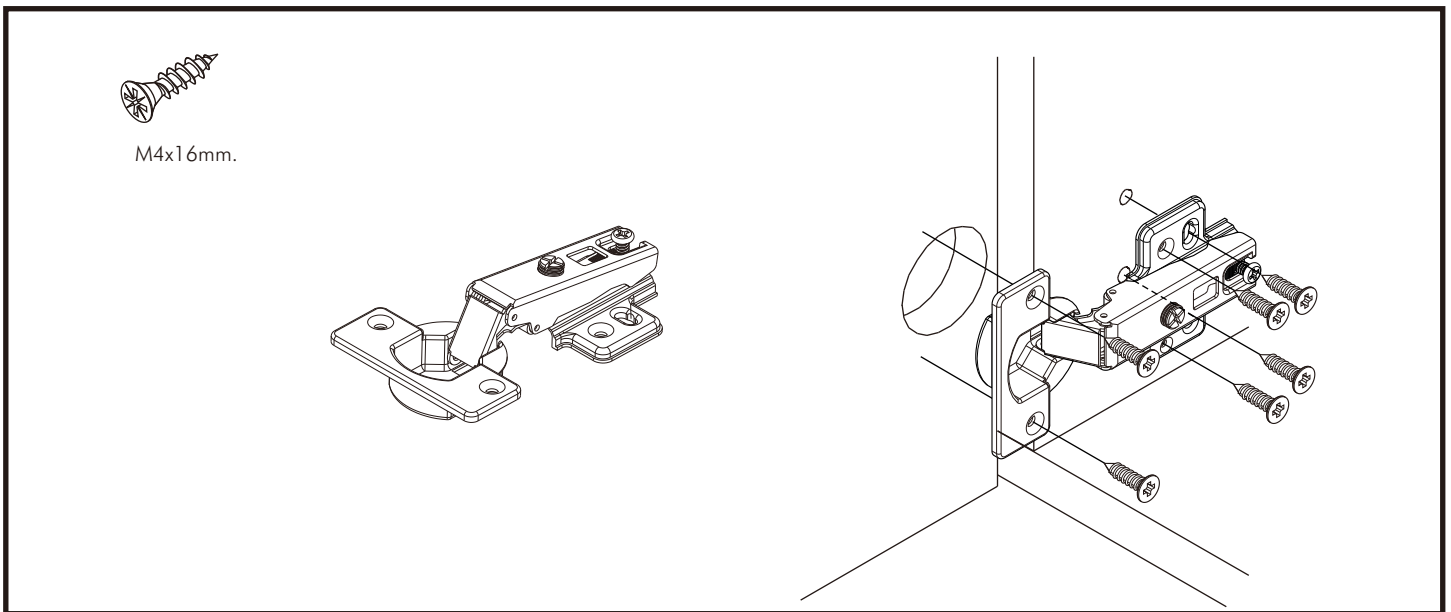
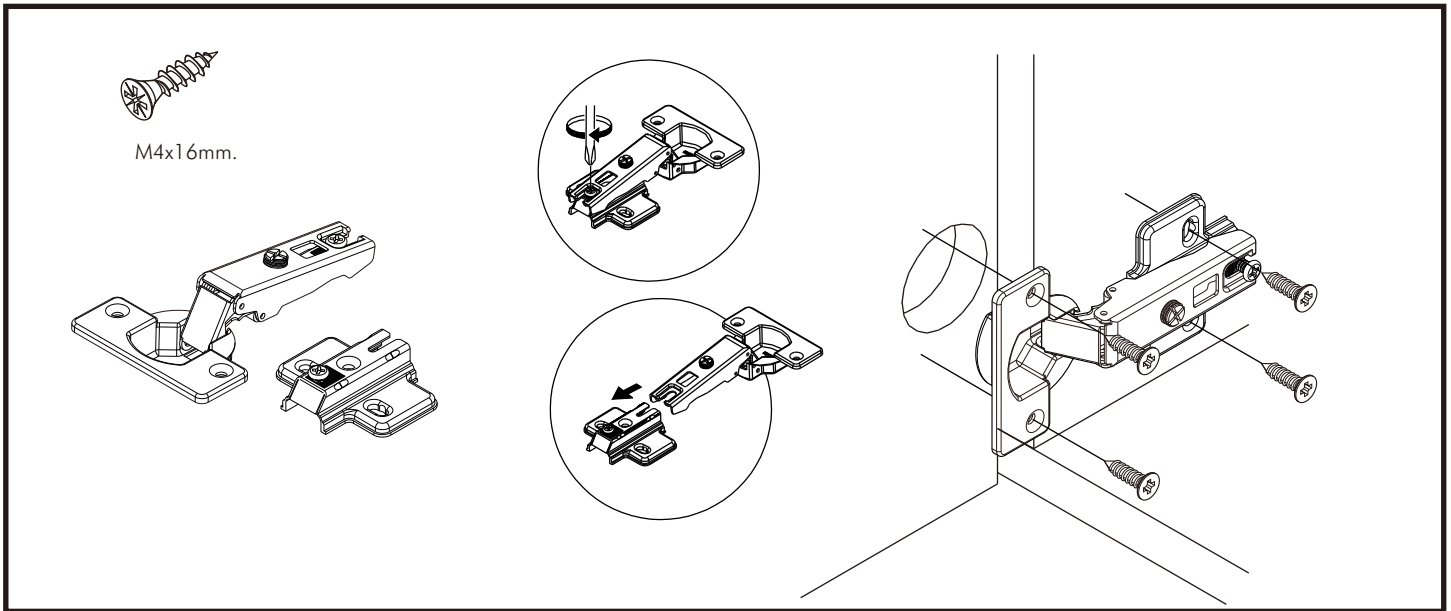
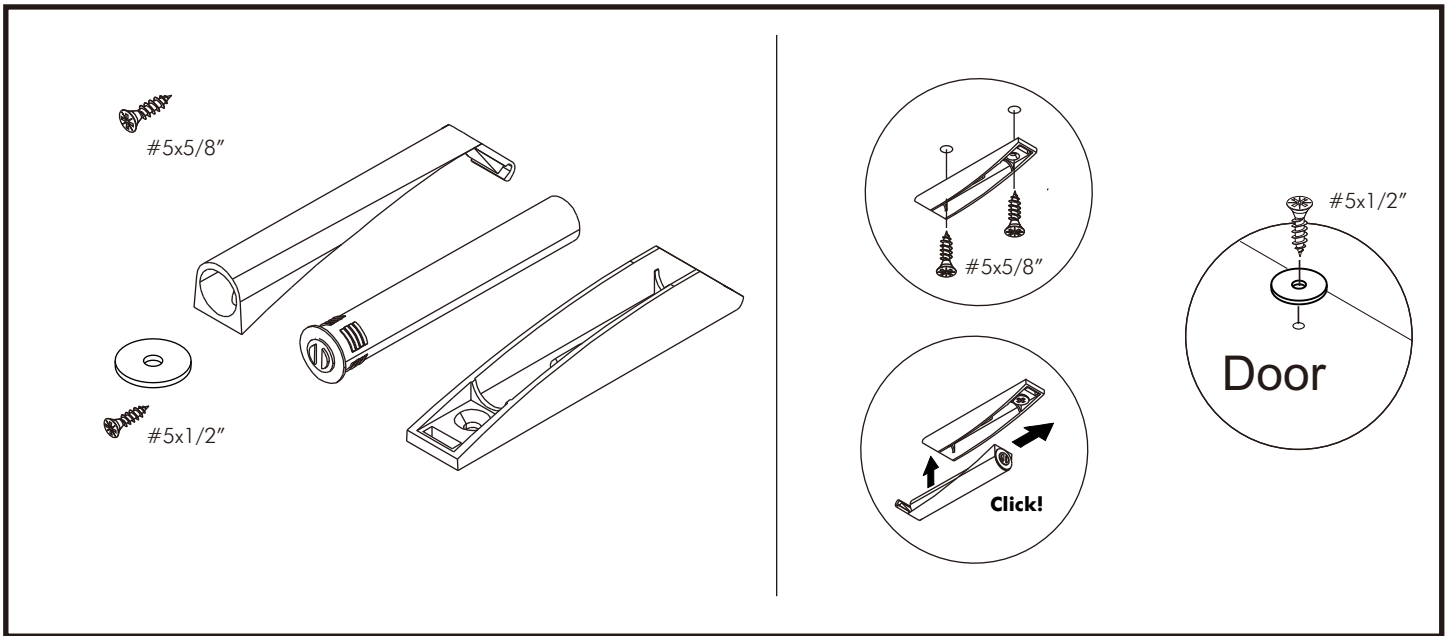
✓		✗		✗		✗		✗
	↑ CORRECT							WRONG

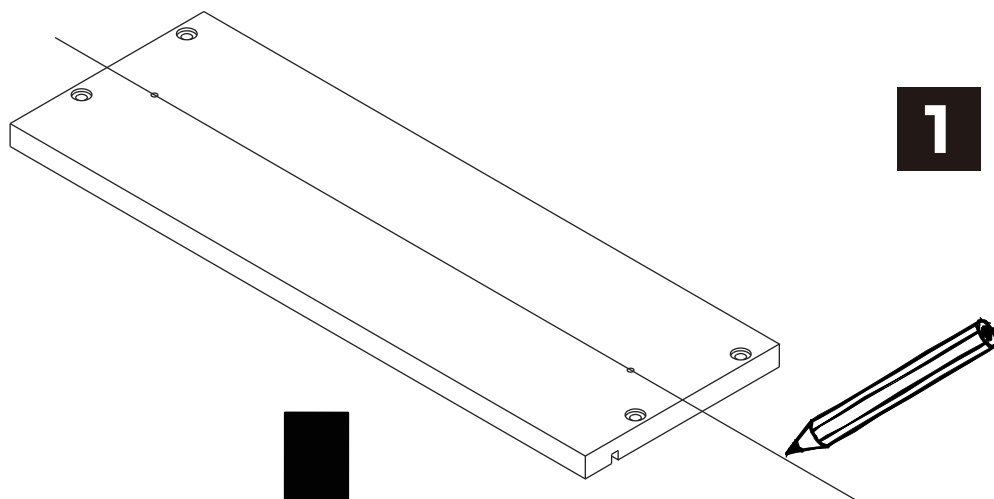


M4x13mm.

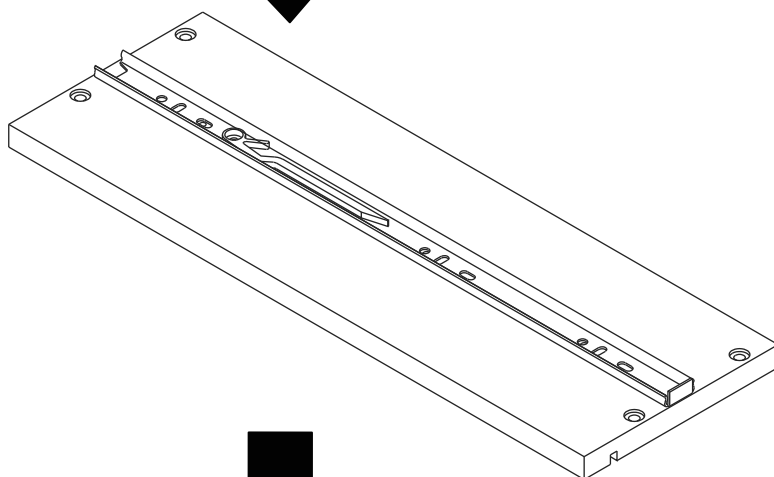
1

2

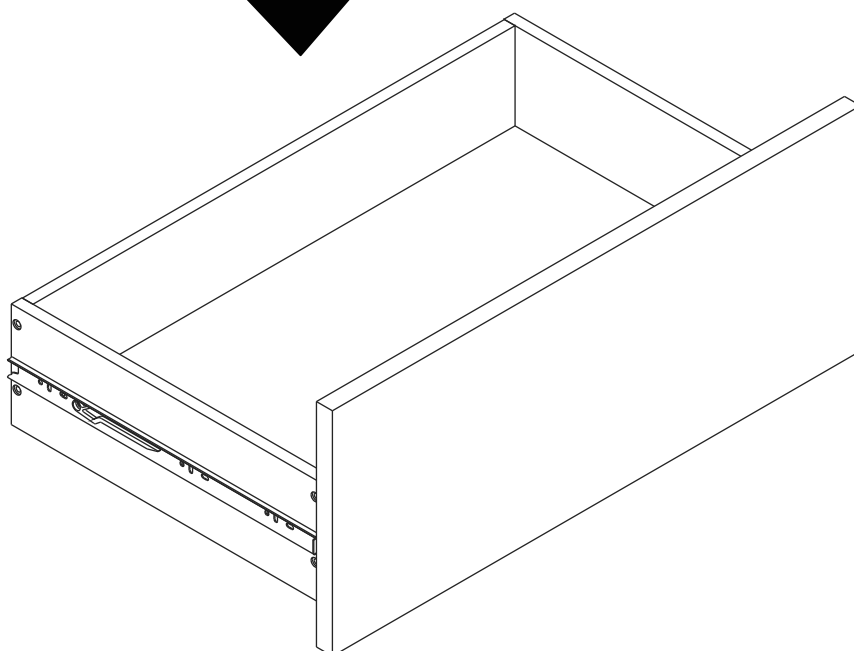
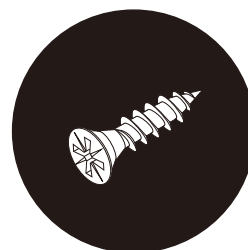




1

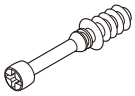


2



HARDWARE

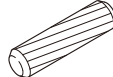
-BODY SET



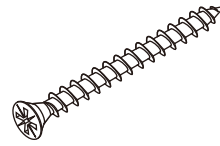
x 48



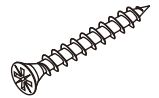
x 48



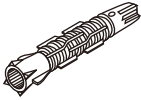
8x35mm.
x 58



M4x50mm.
x 4



M4x30mm.
x 20



x 24



x 2



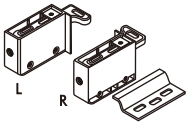
x 14



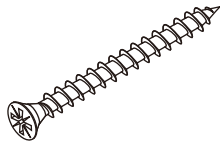
M5x70mm.
x 2



Ø11mm.
x 12



x 4/4/8



M5x50mm.
x 22



x 1



x 20



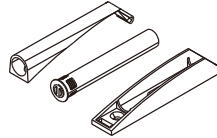
M4x25mm.
x 2



M4x20mm.
x 4



M4x16mm.
x 126



x 3



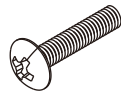
x 3



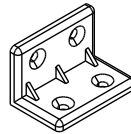
#5x5/8"
x 6



M4x25mm.
x 2



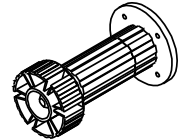
M4x10mm.
x 3



x 22



#5x1/2"
x 3



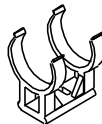
x 12



x 8



M3.5x25mm.
x 6



x 8



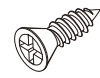
M3.5x13mm.
x 16



x 3

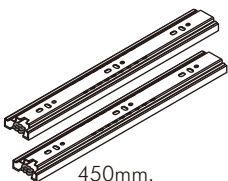


x 8

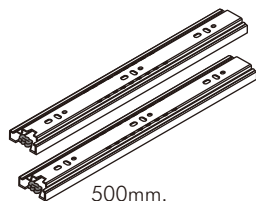


6x3/8"
x 12

-DRAWER SET



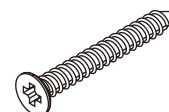
450mm.
x 1



500mm.
x 2



M4x13mm.
x 36



M4x40mm.
x 30



TFL4 M6x30
x 8

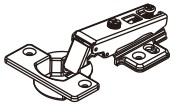


M4x16mm.(BLACK)
x 6

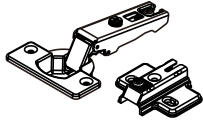


#M4
x 1

-DOOR SET



x 4



x 6



M4x16mm.

x 48



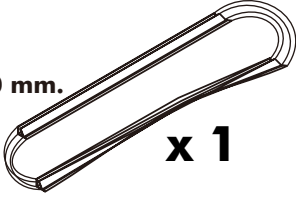
M4x16mm.(BLACK)

x 12



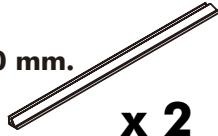
x 4

1650 mm.

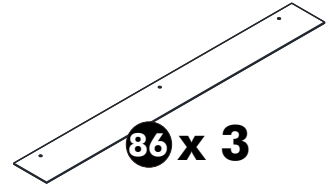


x 1

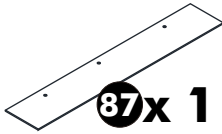
550 mm.



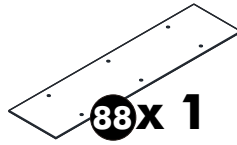
x 2



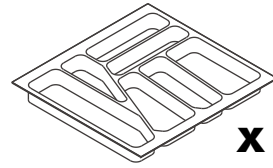
86 x 3



87 x 1



88 x 1

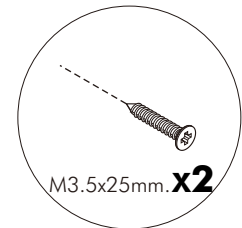
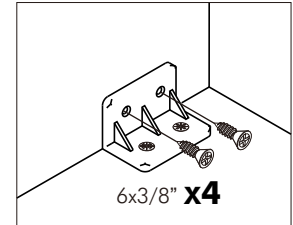
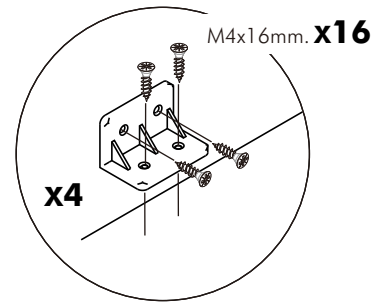
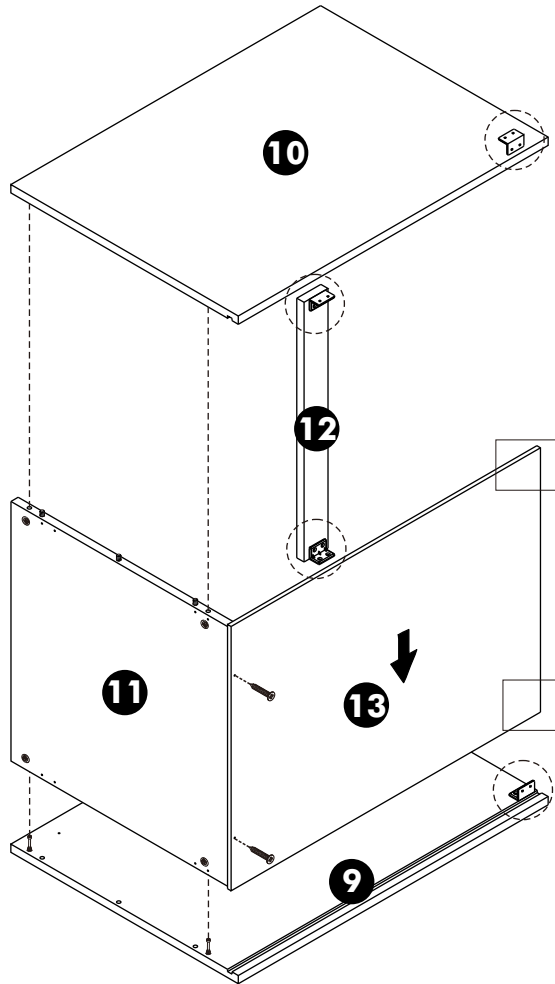
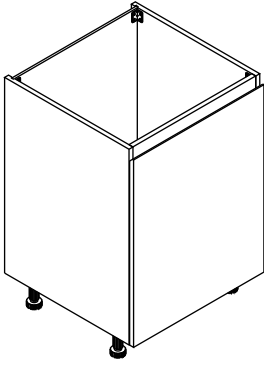


x 1

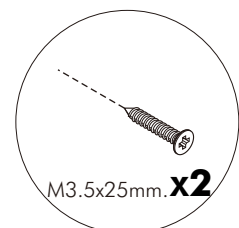
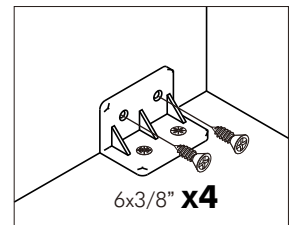
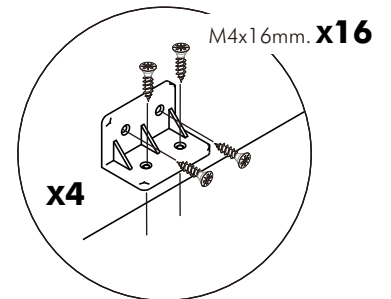
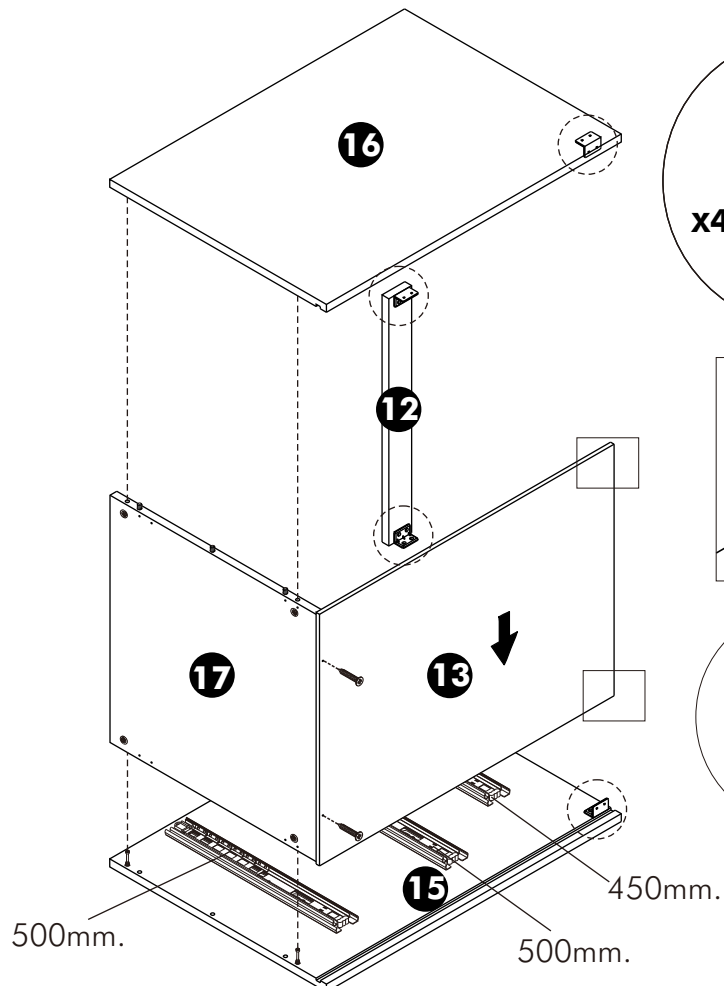
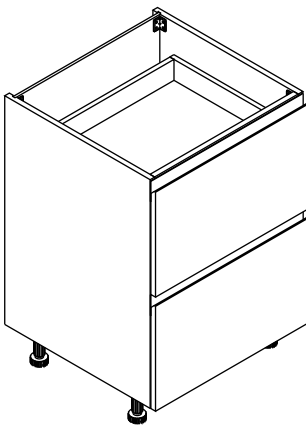
ASSEMBLY

-BODY SET

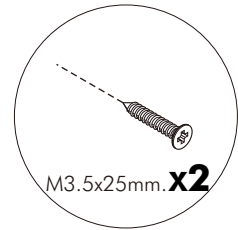
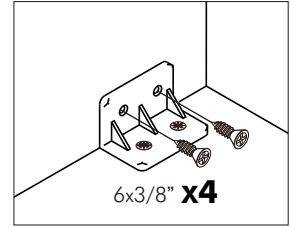
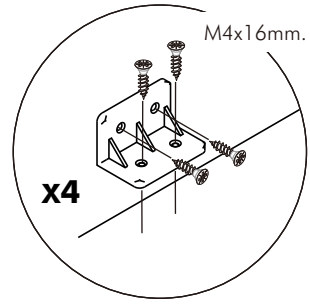
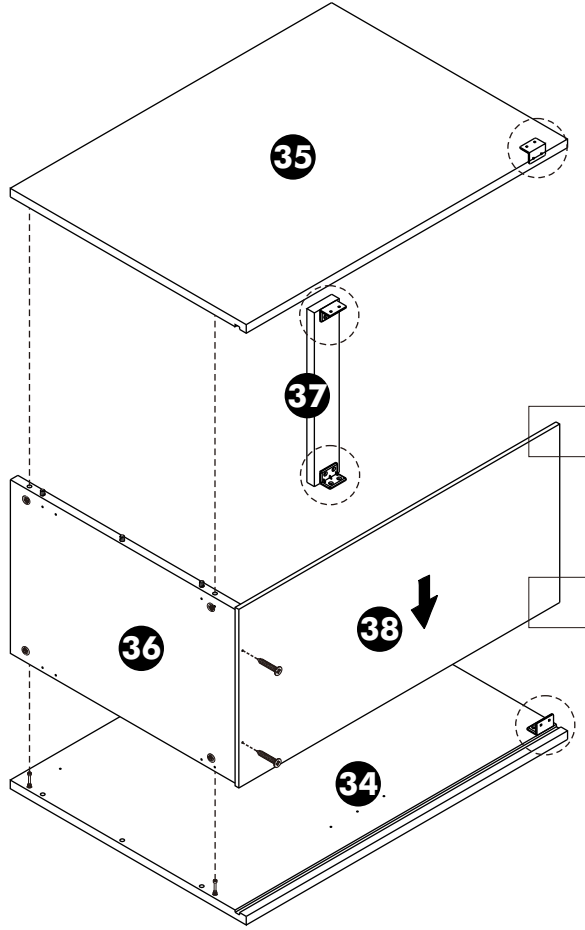
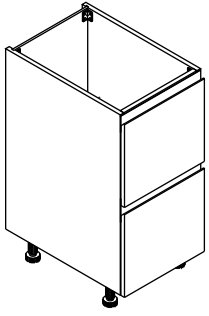
1.



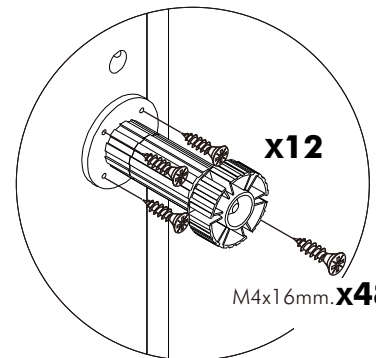
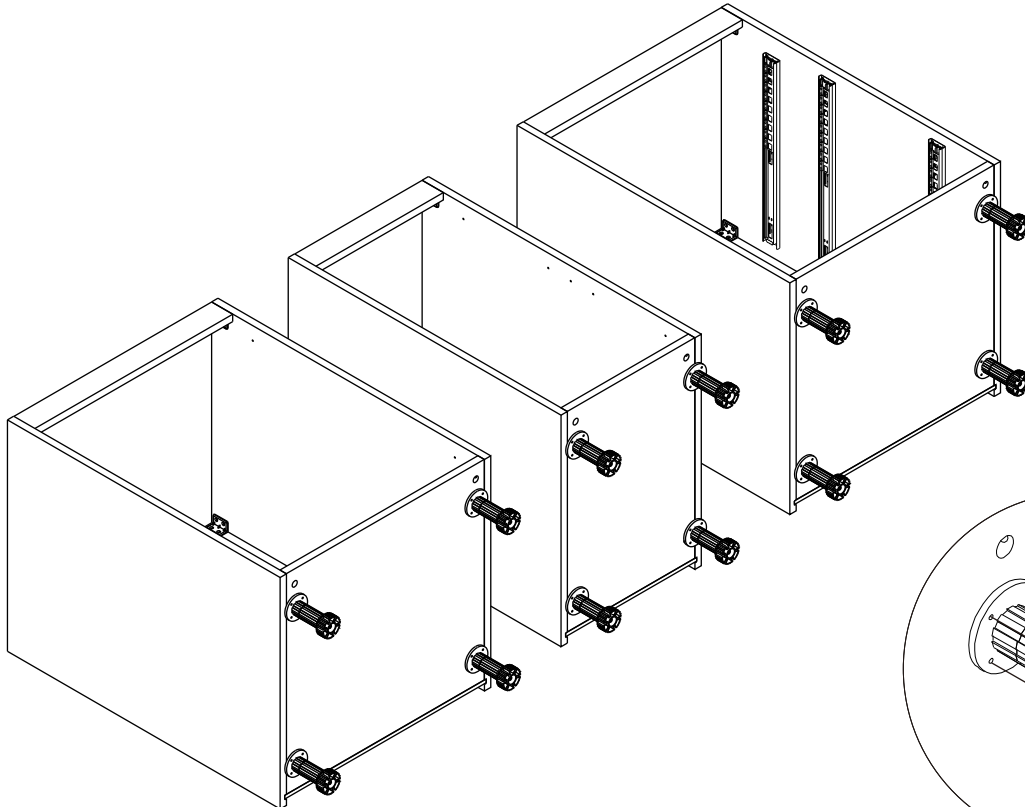
2.



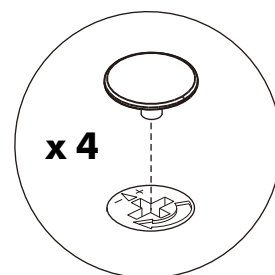
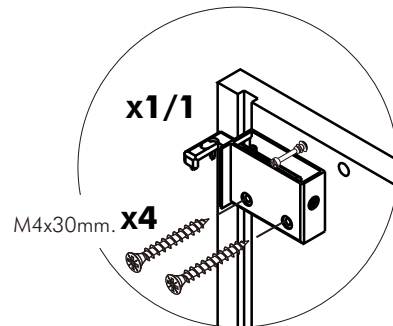
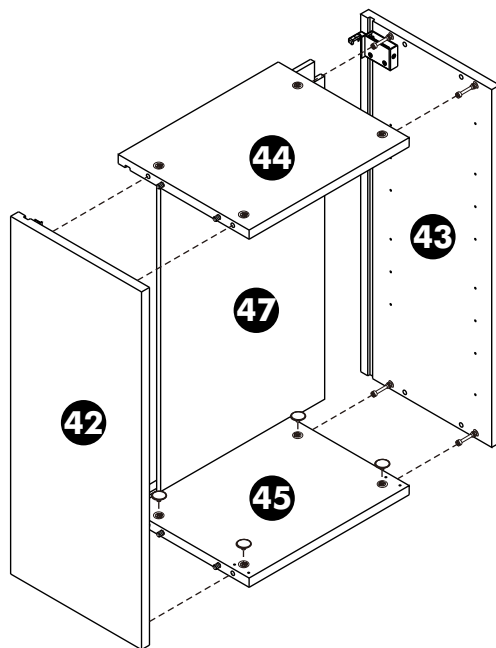
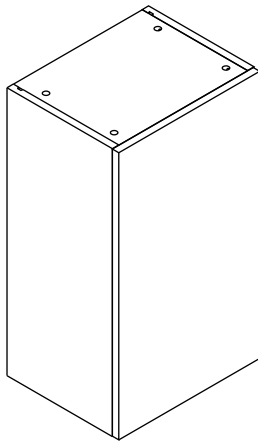
3.



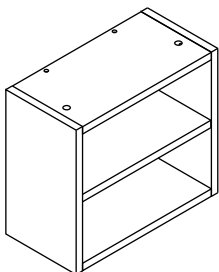
4.



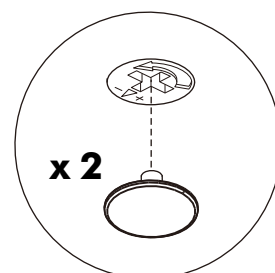
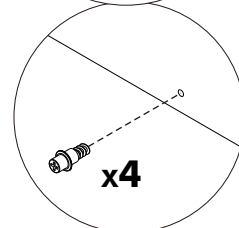
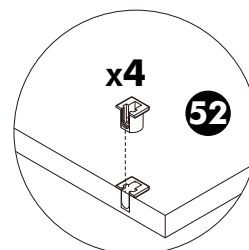
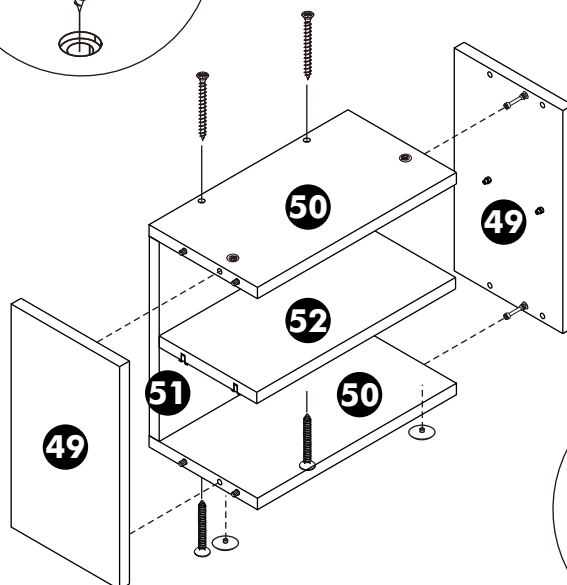
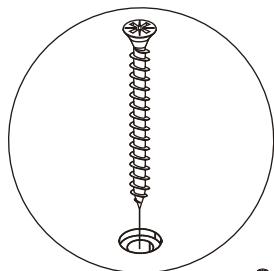
5.



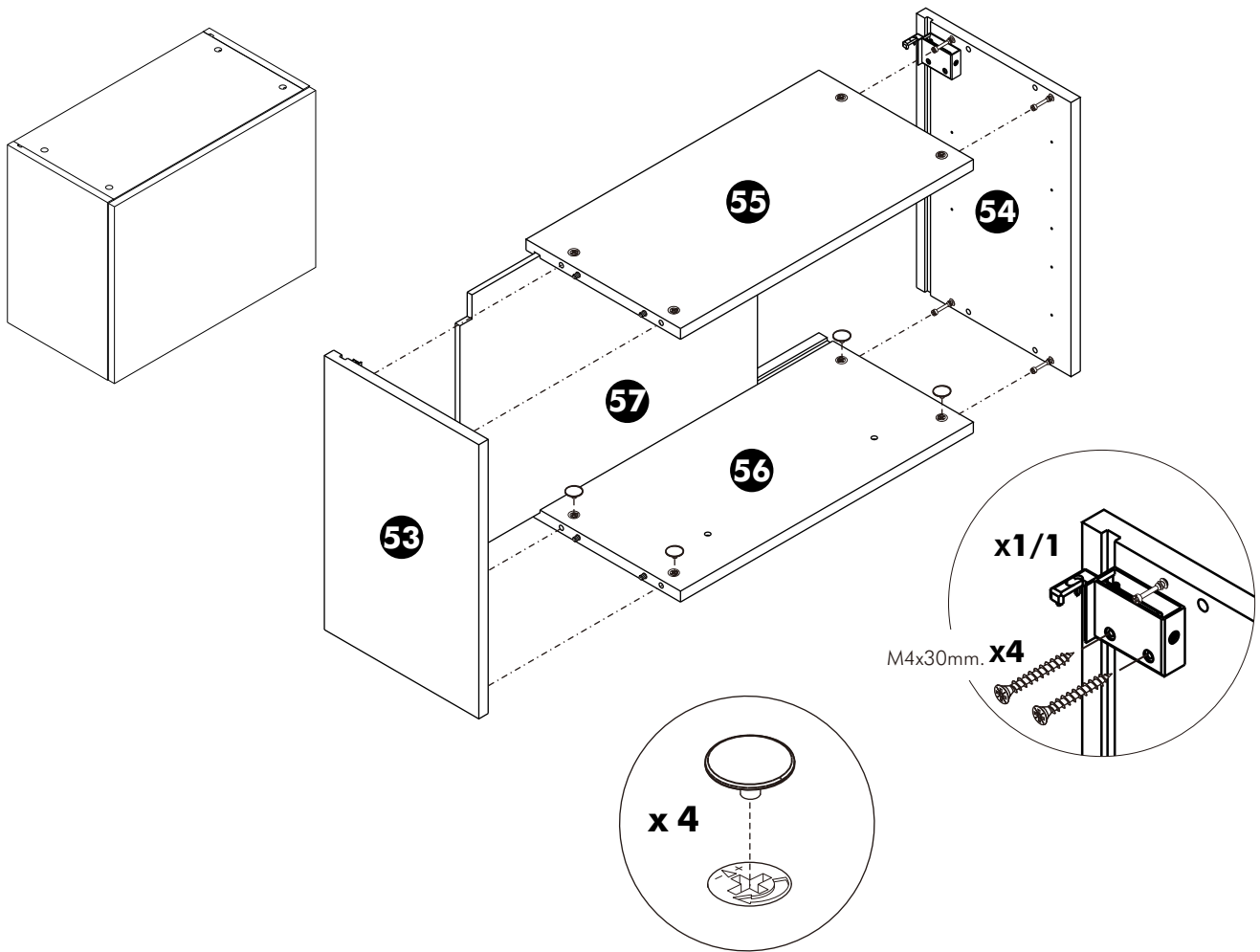
6.



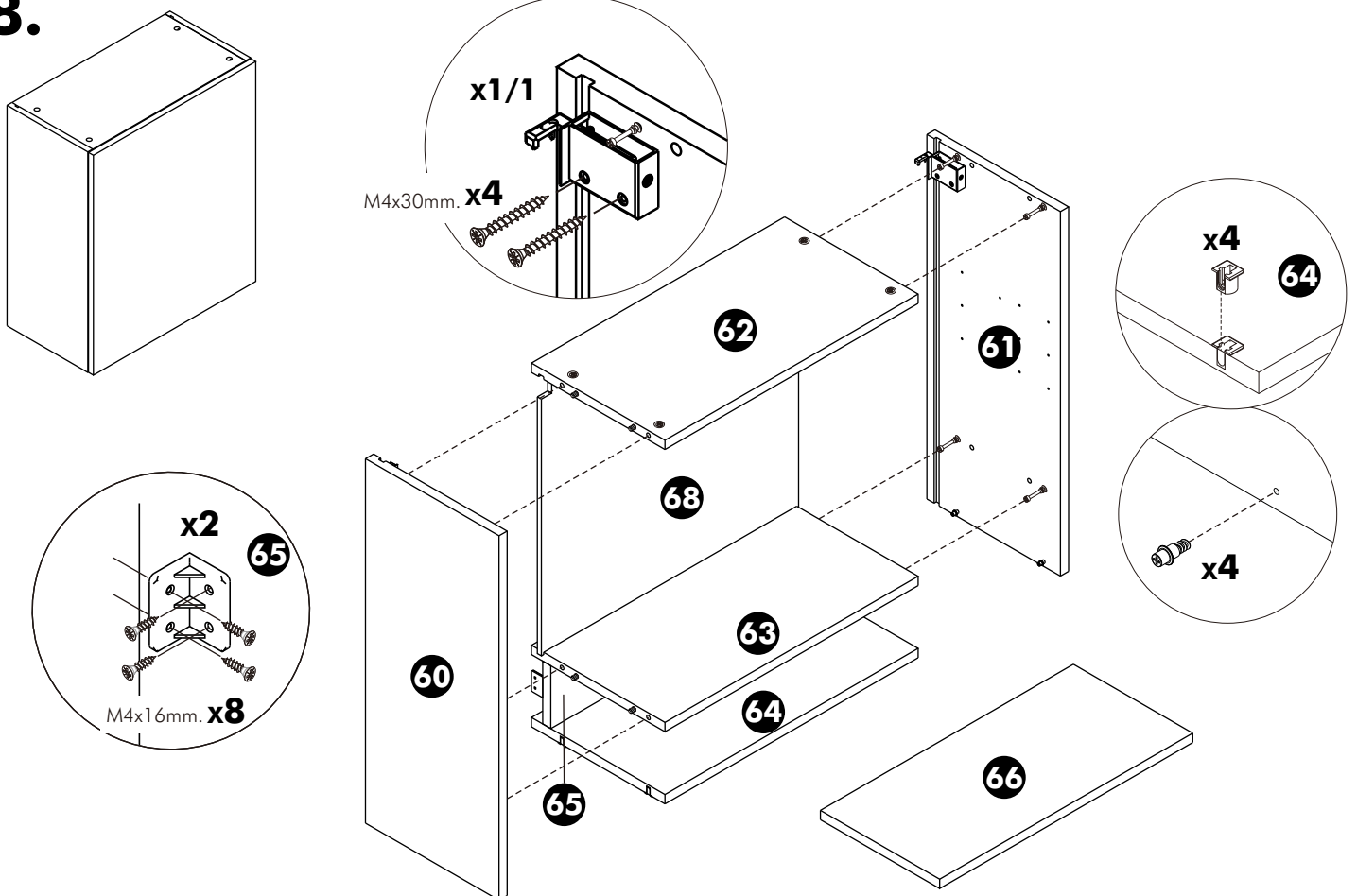
M4x50mm. x4



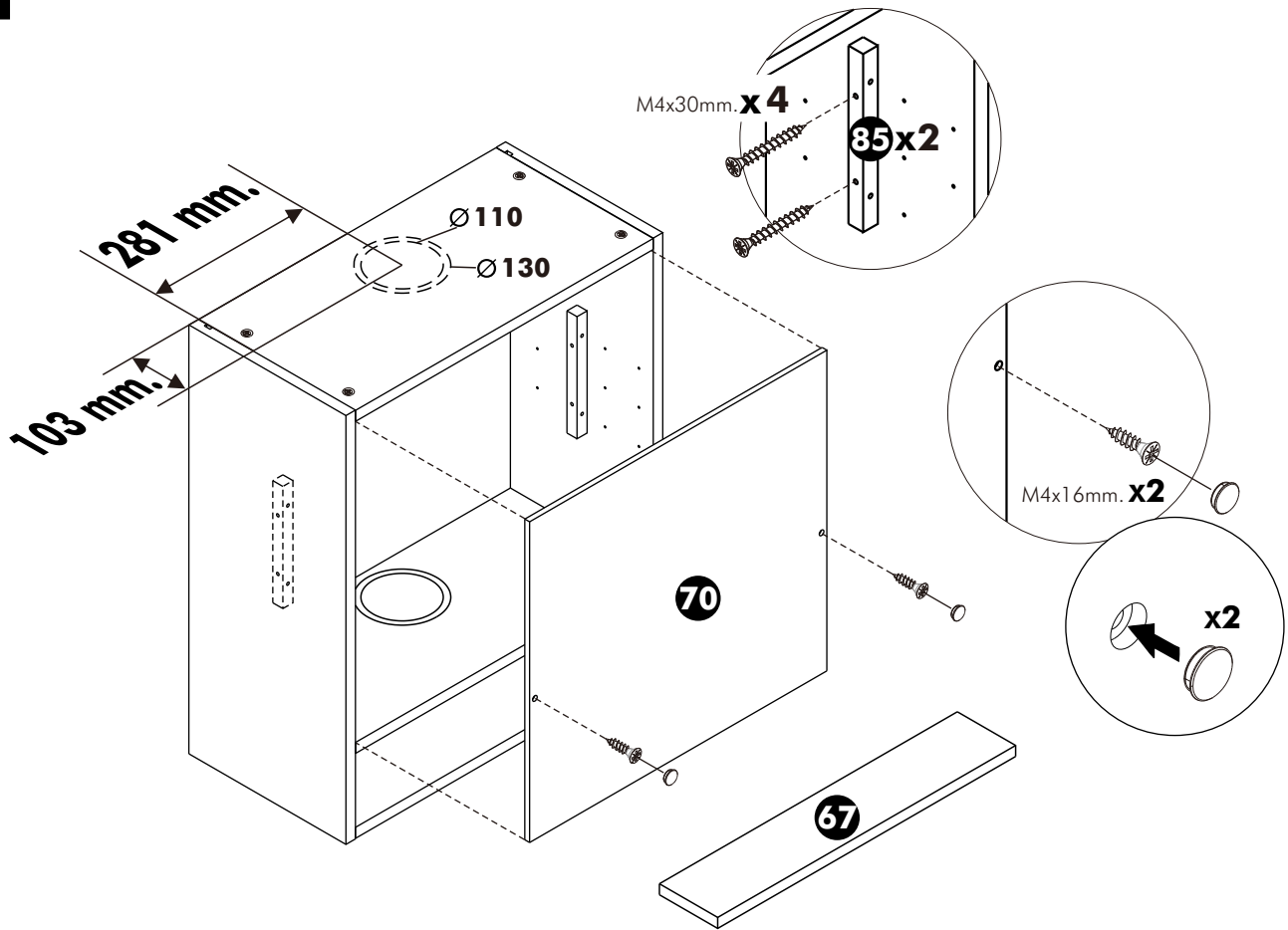
7.



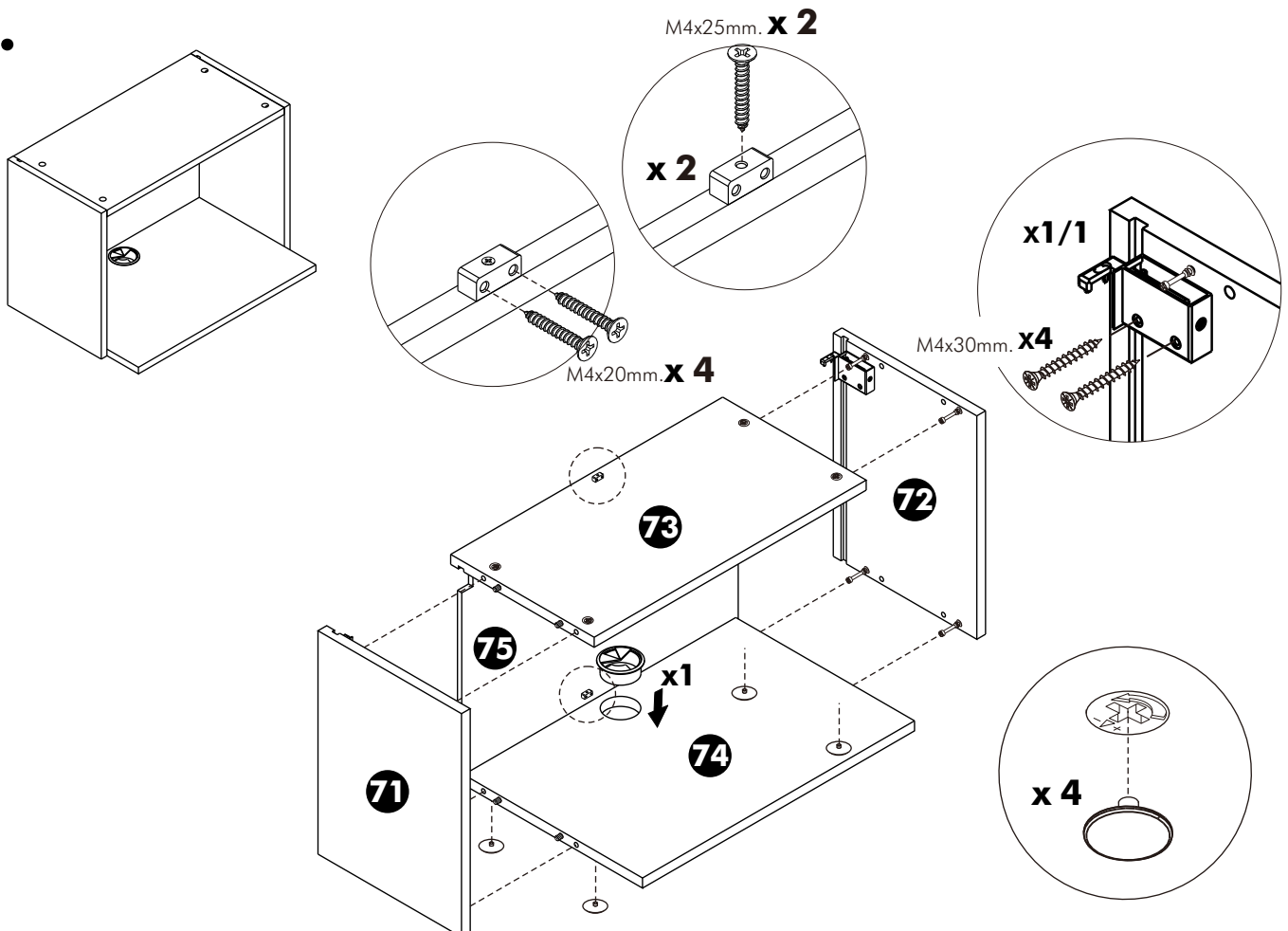
8.



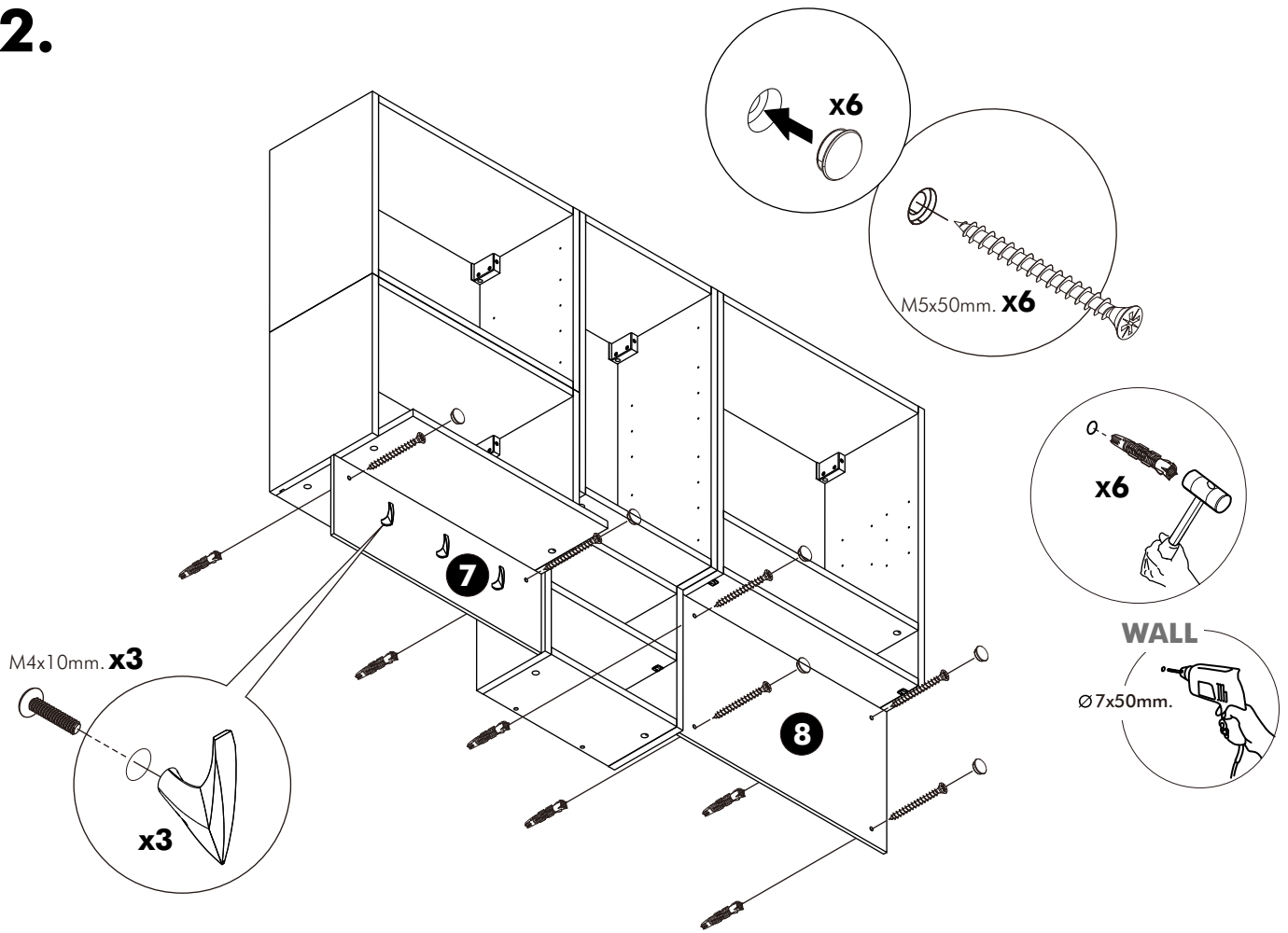
8.1



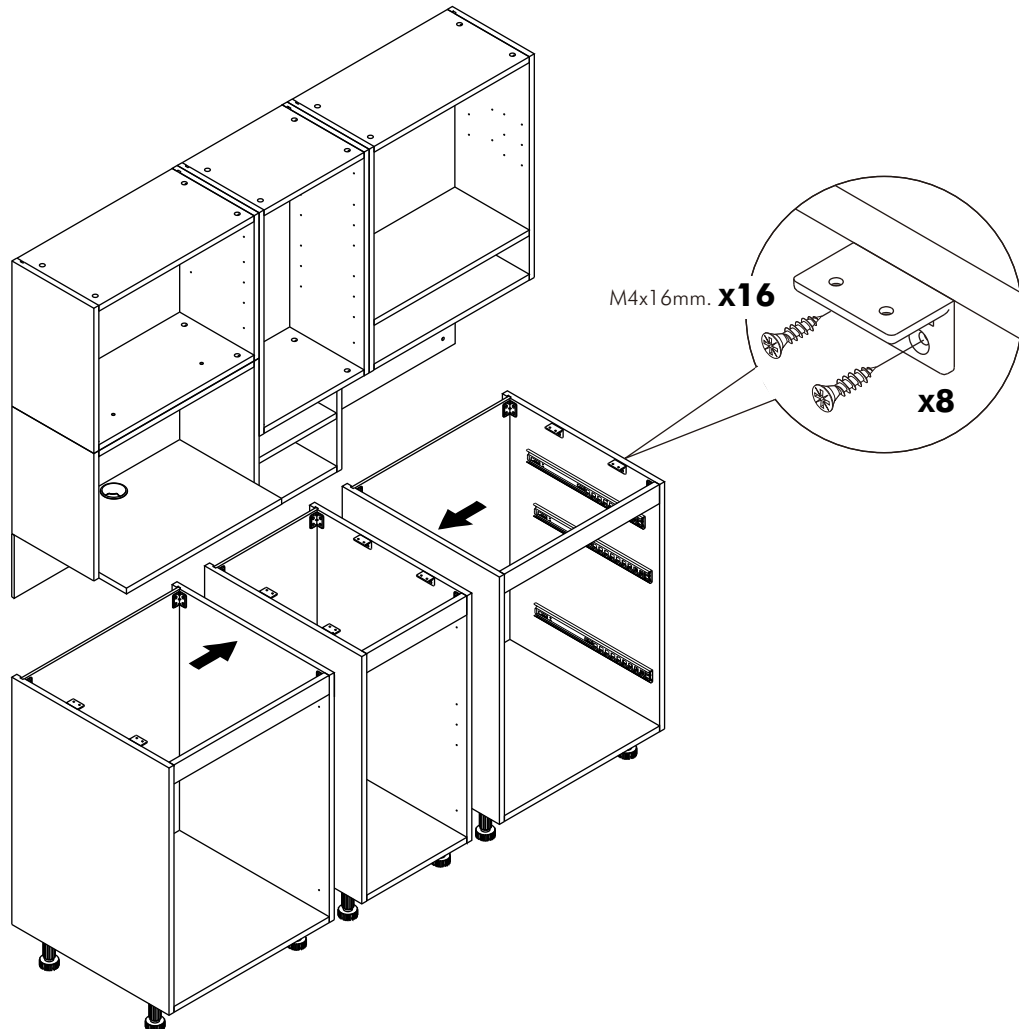
9.



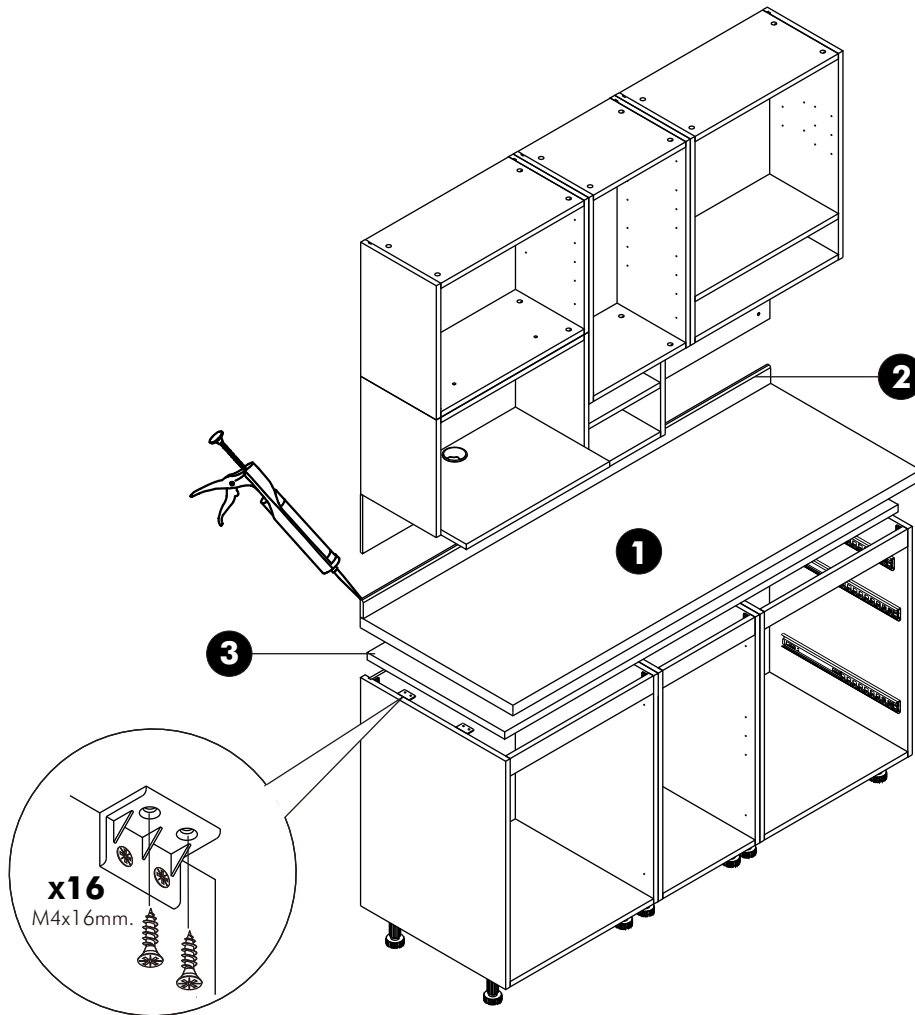
12.



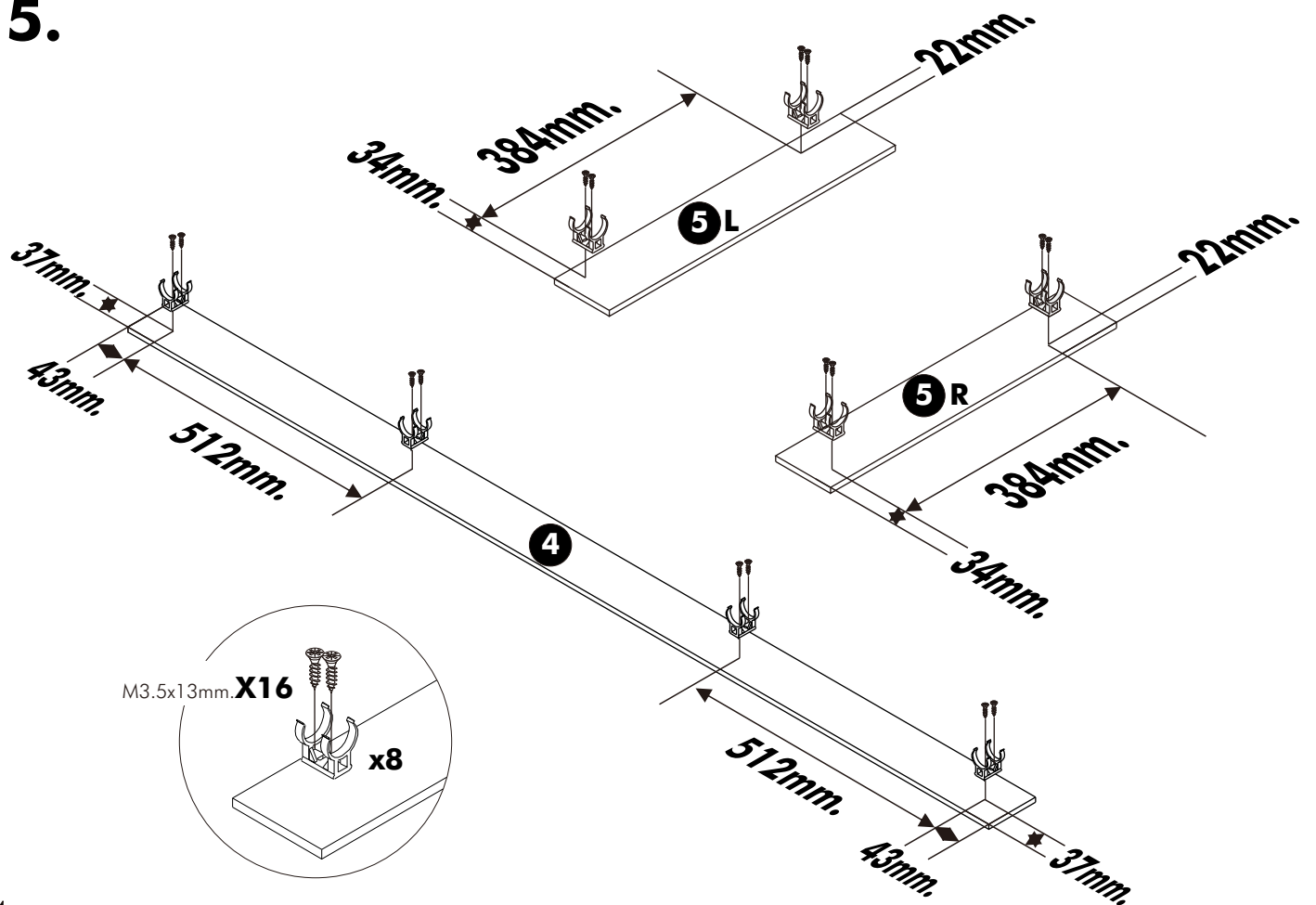
13.



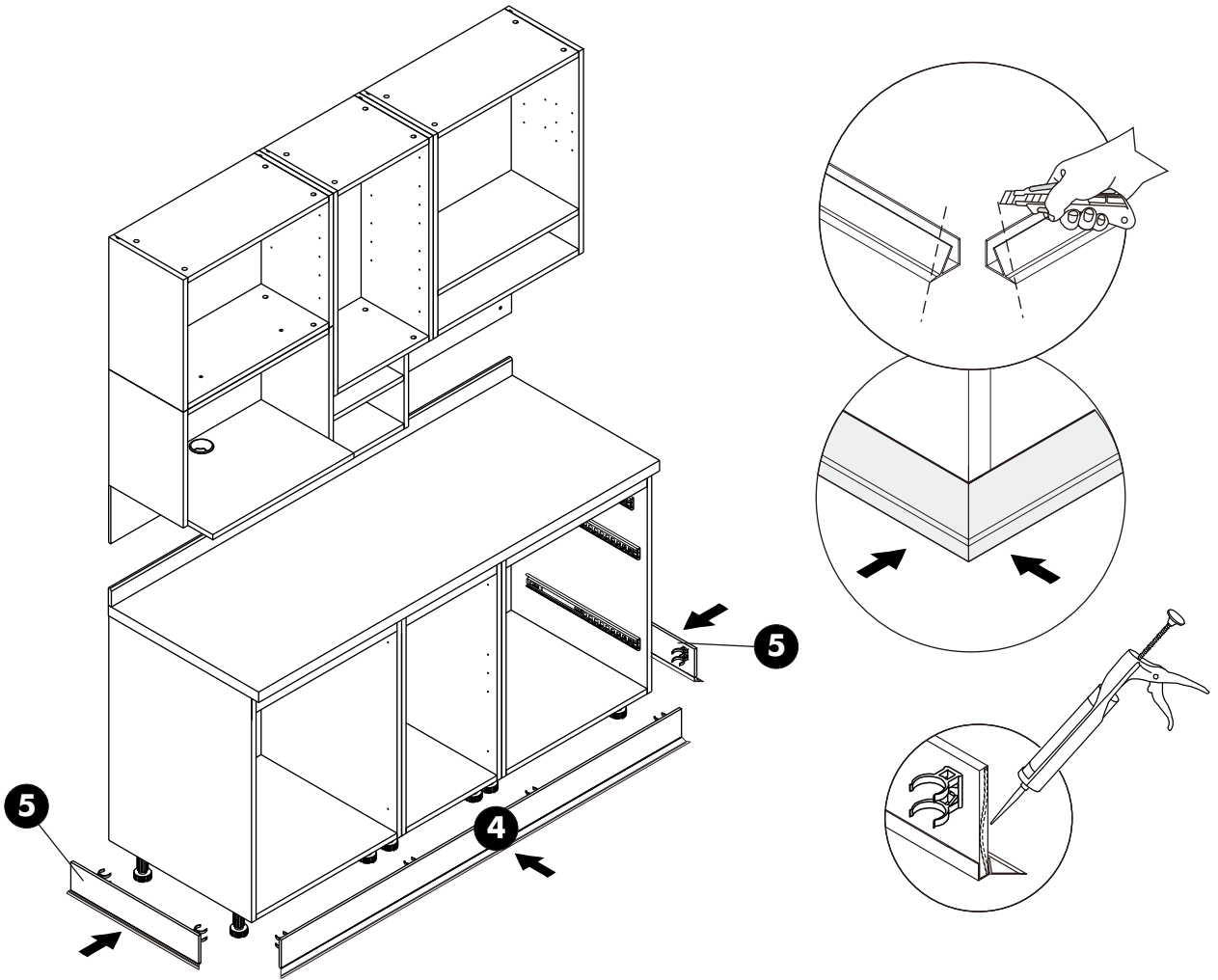
14.



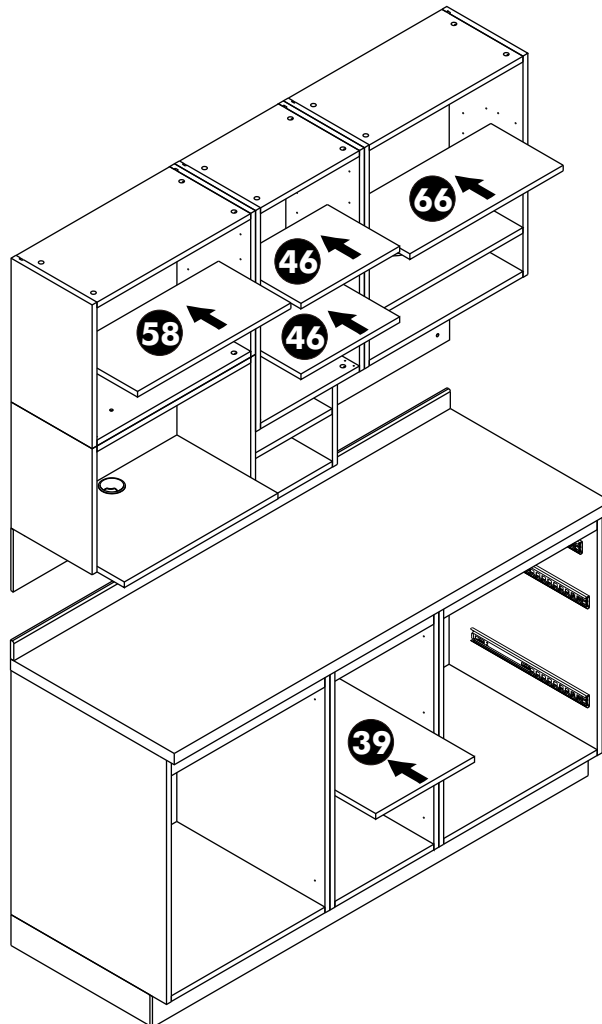
15.



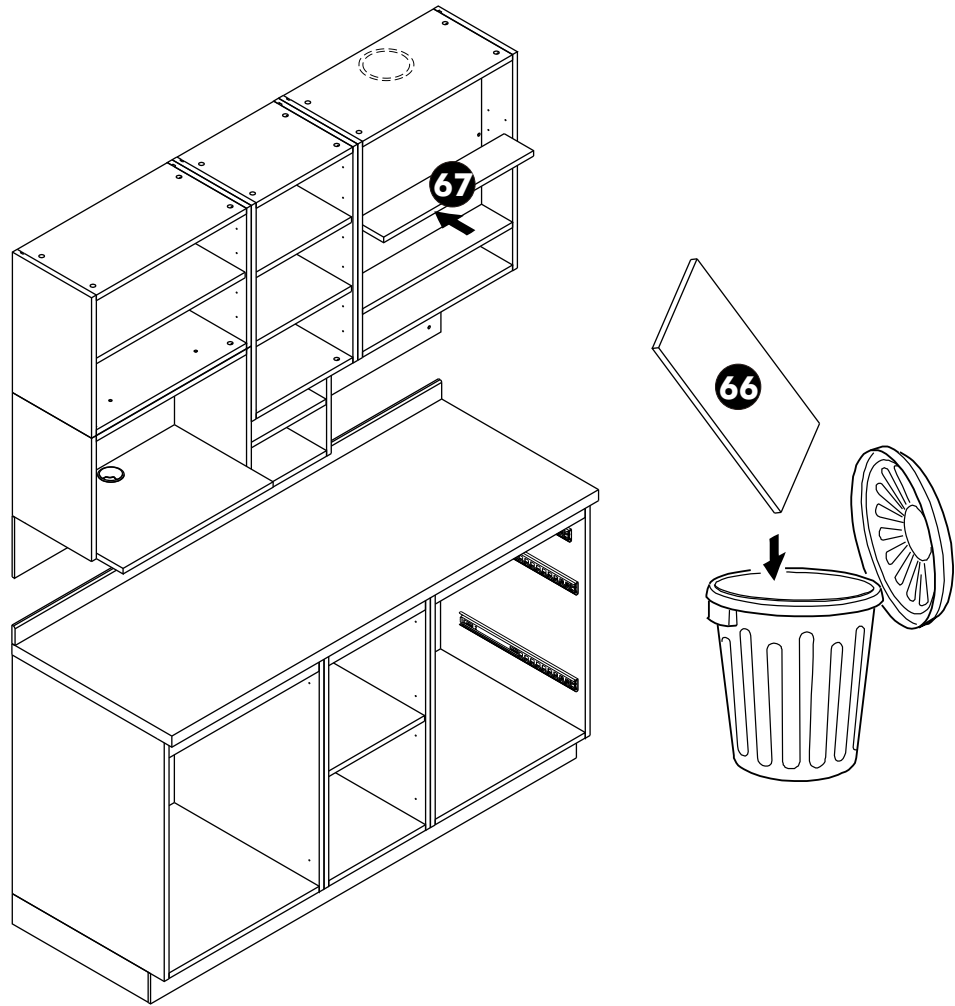
16.



17.



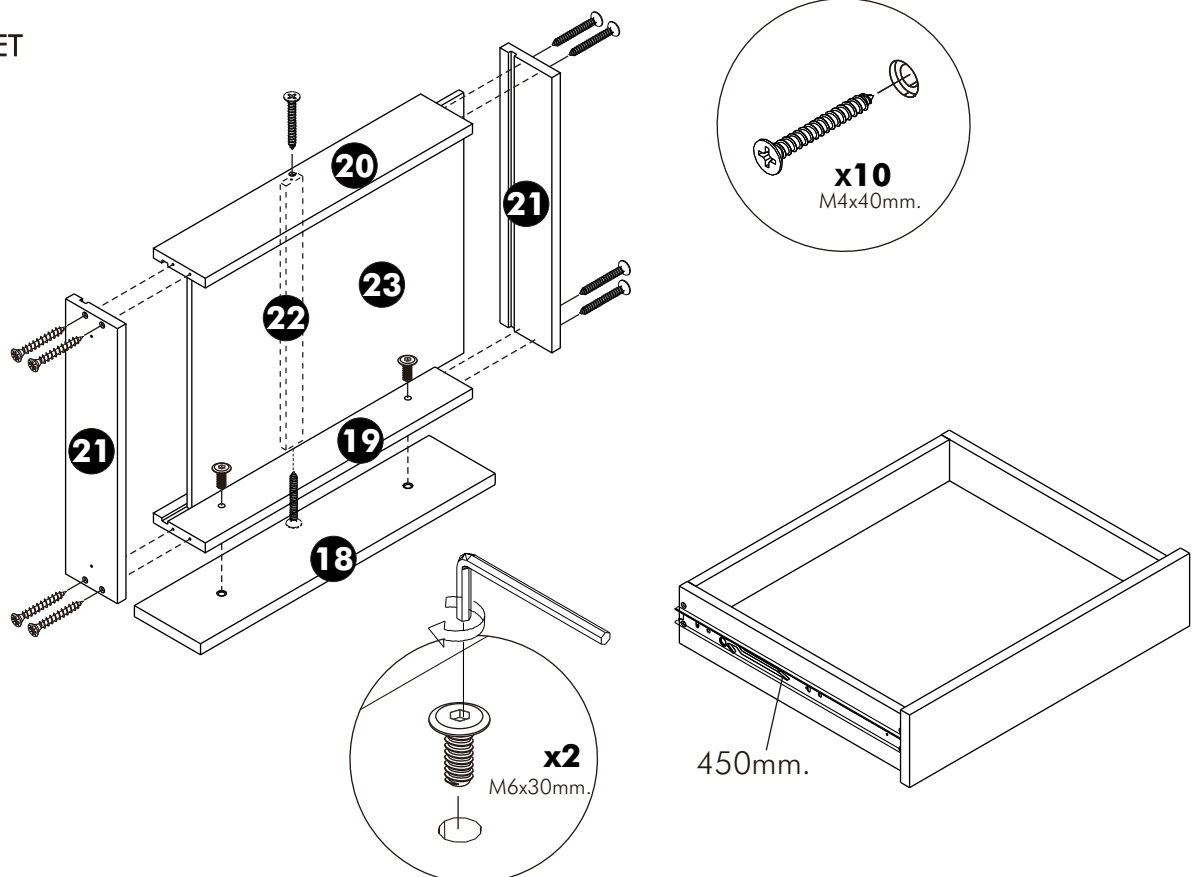
17.1



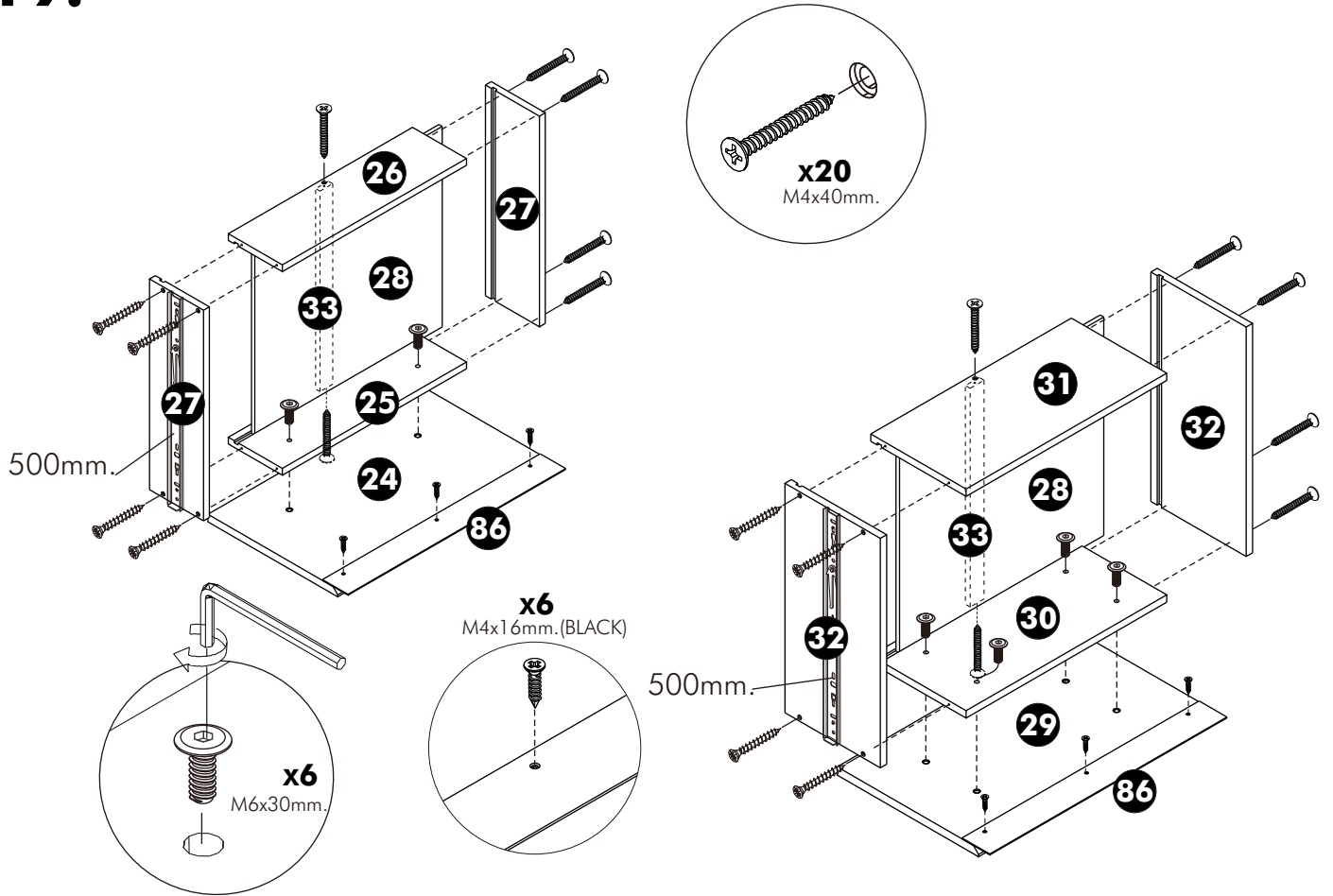
ASSEMBLY

-DRAWER SET

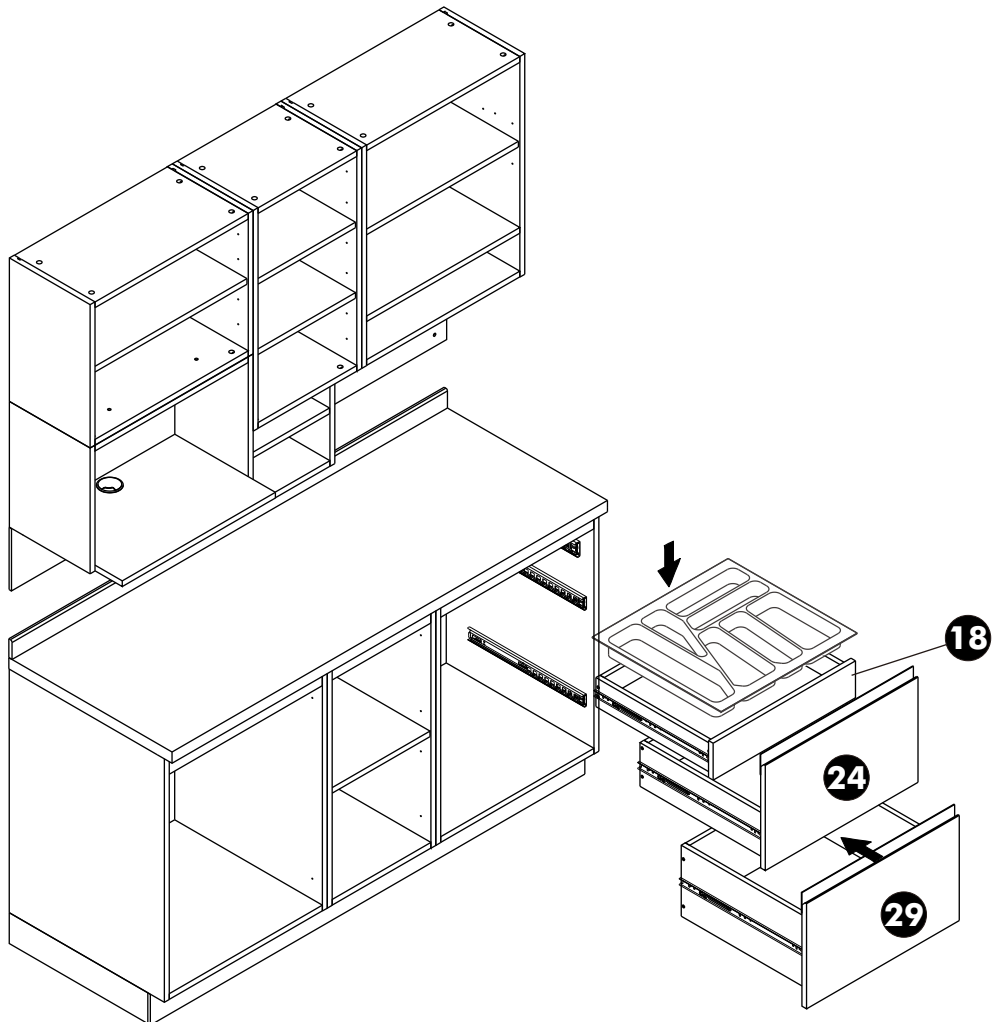
18.



19.



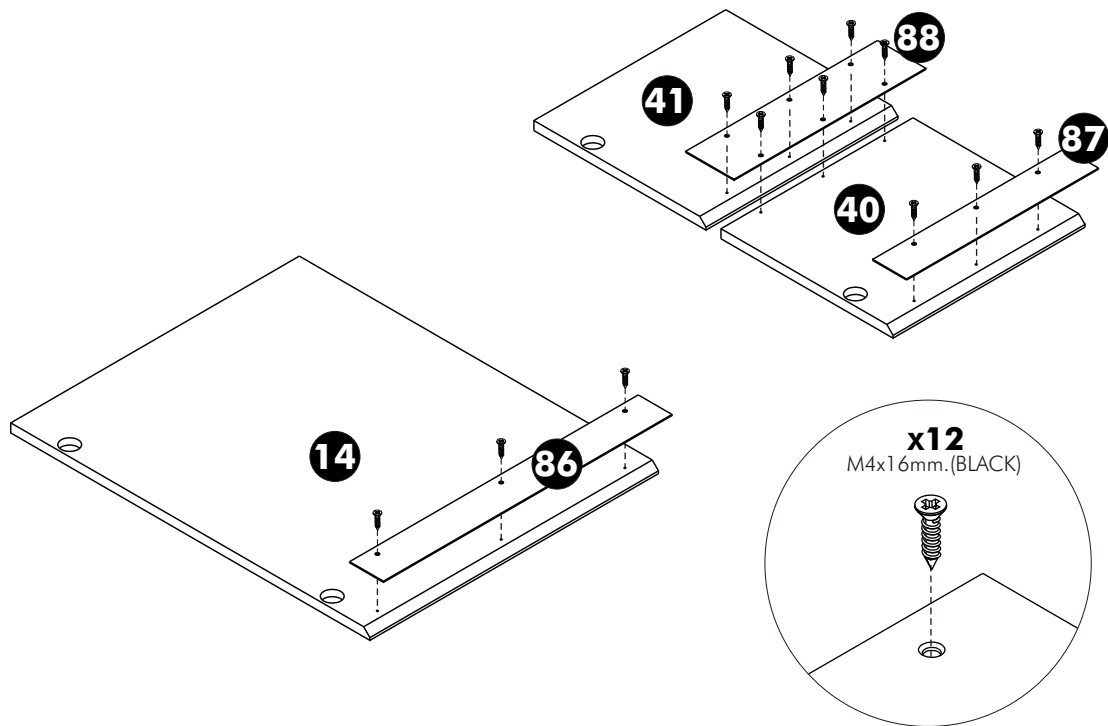
20.



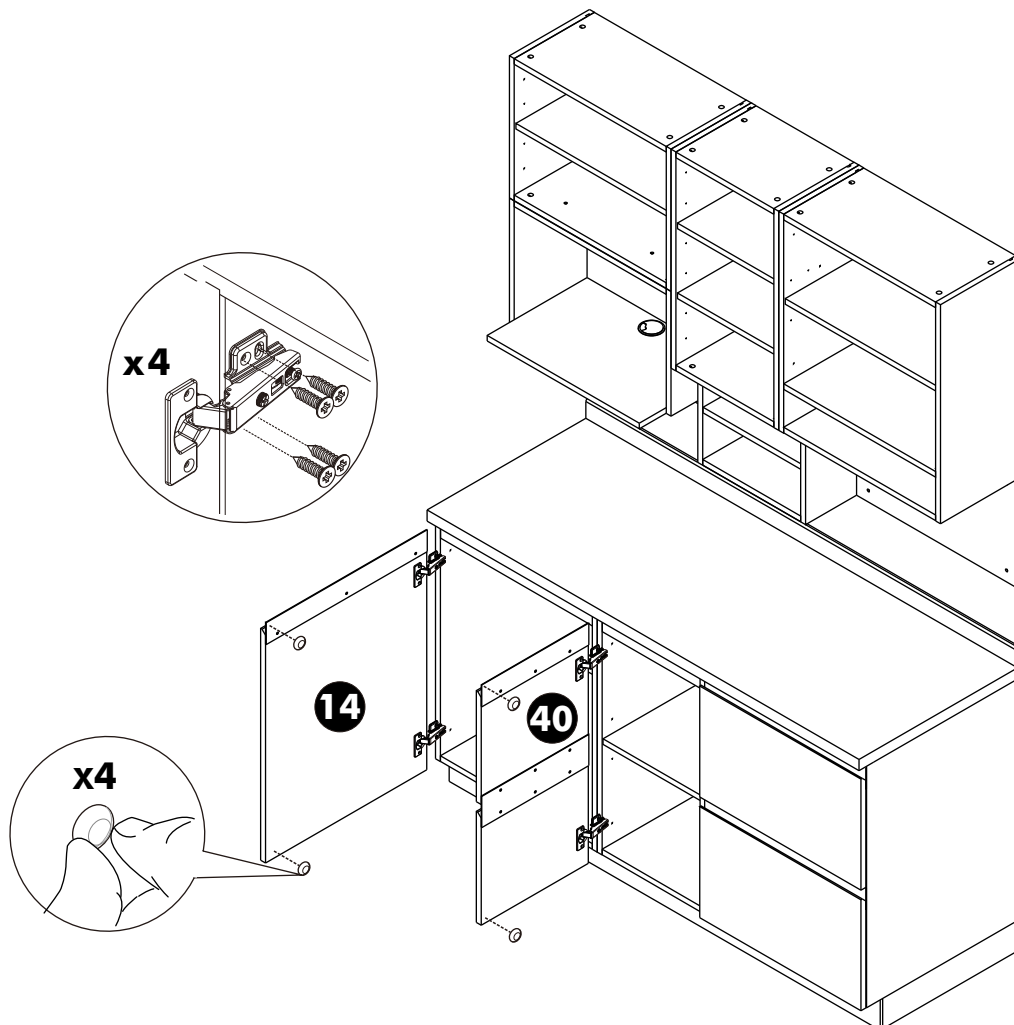
ASSEMBLY

-DOOR SET

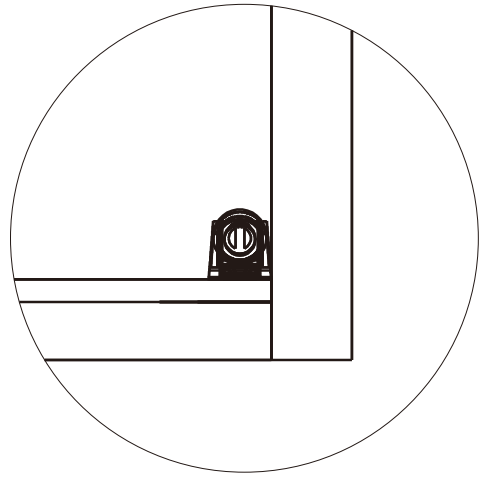
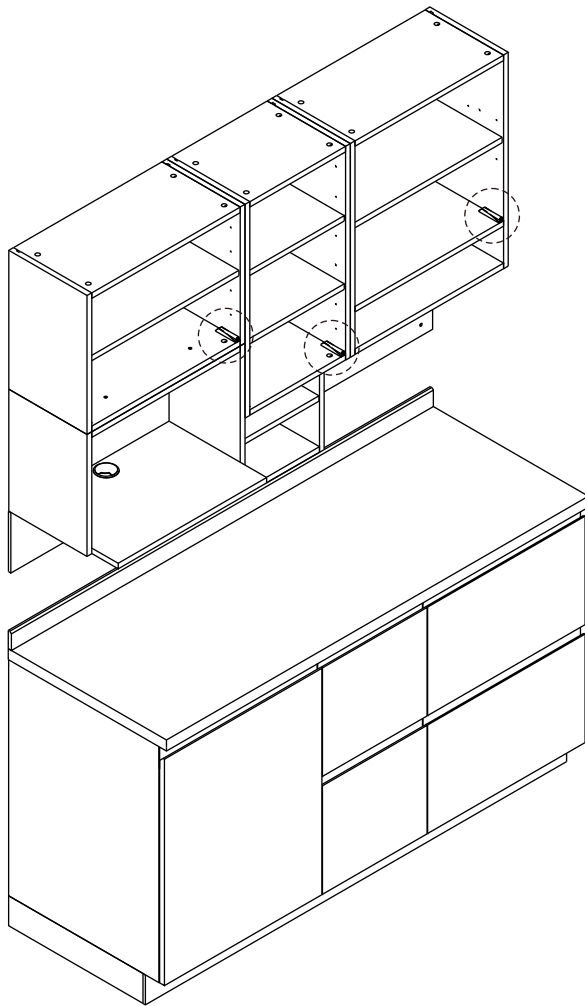
21.



22.



23.



24.

